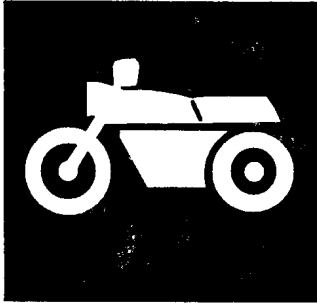


YAMAHA



**PARTS
CATALOGUE**

RX100 (36L0)

1636L-200E1

YAMAHA
GENUINE
Parts & Accessories

FOREWORD

This Parts Catalogue is related to the parts for RX100(36L0). When you are ordering replacement parts, please refer to this Parts Catalogue and quote both part numbers (YAMAHA part numbers) and part names correctly.

1. Modifications or additions which have been made after issue of the Parts Catalogue will be announced in the Yamaha Parts News.
It is advisable that you make necessary corrections to the Parts Catalogue according to the Yamaha Parts News.

2. Abbreviations
The following abbreviations are used in this Parts Catalogue.
"UR" Use specified parts number.
"UN" Use as many as needed.
"AP" Alternate Parts

3. Parts, which are to be supplied in an assembly, are listed with a dot (.) in front of the part name as shown below.

EXAMPLE

CARBURETOR ASSY
. JET, PILOT
. NOZZLE, MAIN

4. Number of component for assembly
The numeral appearing to the right of each component part indicates the quantity of parts for each assembly unit.

EXAMPLE

PART NO.	DESCRIPTION	Q'TY	REMARKS
2F5-83310-60	FRONT FLASHER LIGHT ASSY	2	
115-83311-60	. BULB (6V-18W)	1	

5. Applicable colors of parts are represented in the "REMARKS" as shown below.

PART NO.	DESCRIPTION	Q'TY	ESCORTS NO.	REMARKS
36L-F1711-01-H6	COVER, SIDE 1	1	1L1.10.01.01	FOR M.MAROON

6. Applicable Serial No.

① Engine Serial No.

② Frame Serial No.

7. Note that the illustrations are for reference in finding parts numbers, not to be used for assembling. When assembling, please use the applicable service manual.

8. ESCORTS parts numbers are listed in this catalogue for your reference.

CONTENTS

ENGINE

Fig. 1 Cylinder	1	Fig. 27 Generator	33
Fig. 2 Crankshaft. Piston	2	Fig. 28 Flasher Light	34
Fig. 3 Oil Pump	3	Fig. 29 Meter	35
Fig. 4 Intake	4	Fig. 30 Headlight	36
Fig. 5 Carburetor	5	Fig. 31 Taillight	37
Fig. 6 Exhaust	7	Fig. 32 Handle Switch. Lever	38
Fig. 7 Crankcase	8	Fig. 33 Electrical 1	39
Fig. 8 Crankcase Cover 1	9	Fig. 34 Electrical 2	40
Fig. 9 Starter	10		
Fig. 10 Clutch	11		
Fig. 11 Transmission	12		
Fig. 12 Shiftcam. Fork	13		
Fig. 13 Shift Shaft	14		

CHASSIS

Fig. 14 Frame	15
Fig. 15 Fender	16
Fig. 16 Side Cover	17
Fig. 17 Oil Tank	18
Fig. 18 Rear Arm. Suspension	19
Fig. 19 Steering	20
Fig. 20 Front Fork	21
Fig. 21 Fuel Tank	23
Fig. 22 Seat	25
Fig. 23 Front Wheel	26
Fig. 24 Rear Wheel	28
Fig. 25 Steering Handle. Cable	30
Fig. 26 Stand. Footrest	31

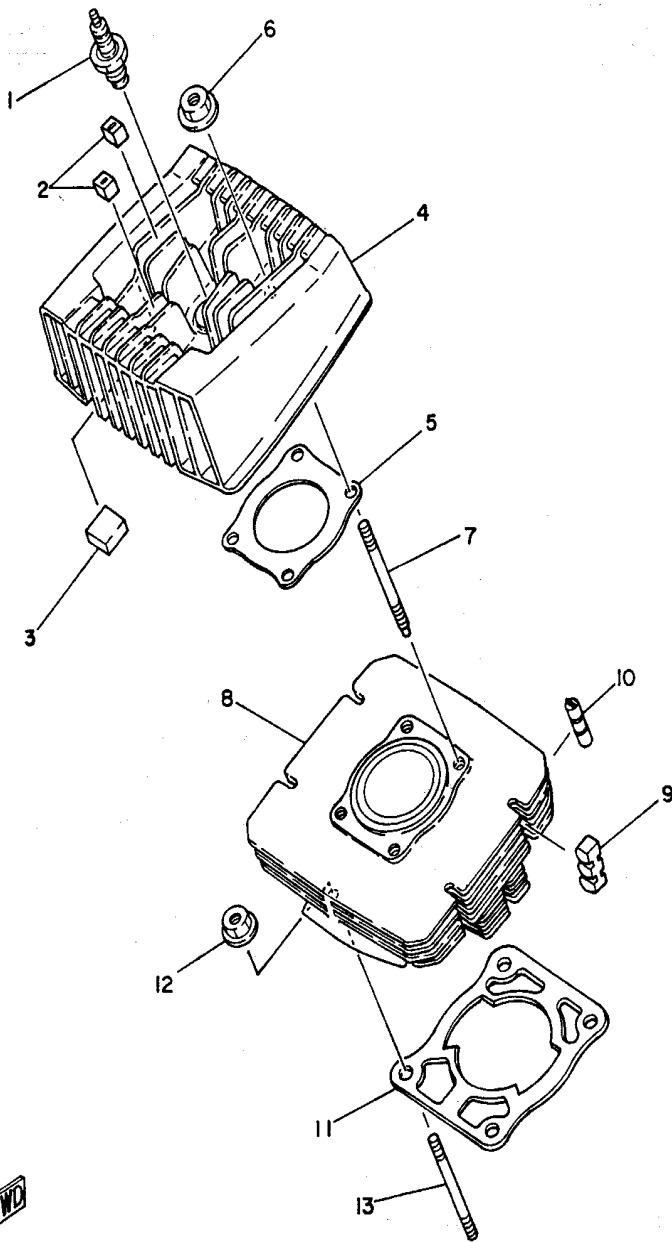


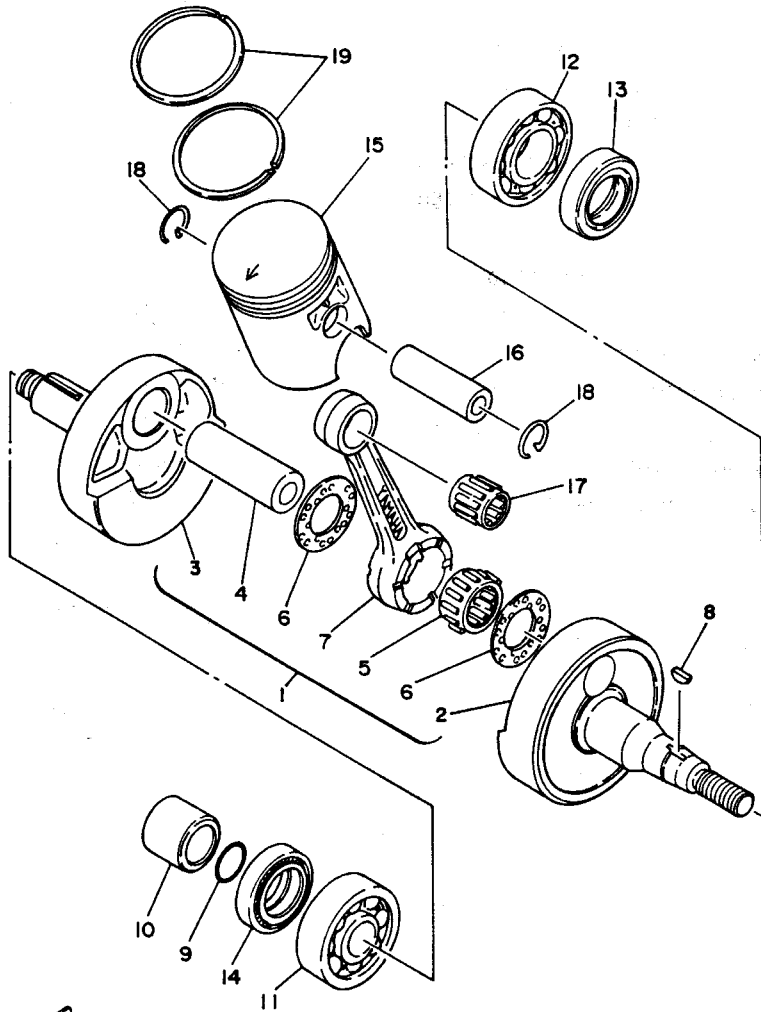
FIG. 1 CYLINDER

REF.	PART NO.	DESCRIPTION	QTY (ESCORTS NO.)	REMARKS
1	94700-00812	PLUG, SPARK	1 00.241.03	
2	36L-E1127-00	ABSORBER 3	6 1L1.52.00.06	
3	36L-E1128-00	ABSORBER 4	2 1L1.52.00.07	
4	36L-E1111-00	HEAD, CYLINDER 1	1 1L1.52.00.02	
5	36L-E1181-00	GASKET, CYLINDER HEAD 1	1 1L1.52.00.01	
6	90179-08823	NUT	4 00.043.09	
7	90116-08393	BOLT, STUD	4 1L1.52.00.11	
8	36L-E1311-10	CYLINDER	1 1L1.52.01.00	
9	36L-E1161-00	ABSORBER 1	4 1L1.52.00.04	
10	36L-E1162-00	ABSORBER 2	4 1L1.52.00.05	
11	36L-E1351-00	GASKET, CYLINDER	1 1L1.52.00.03	
12	90179-10812	NUT	4 1L1.52.00.08	
13	90116-10278	BOLT, STUD	4 1L1.52.01.00	



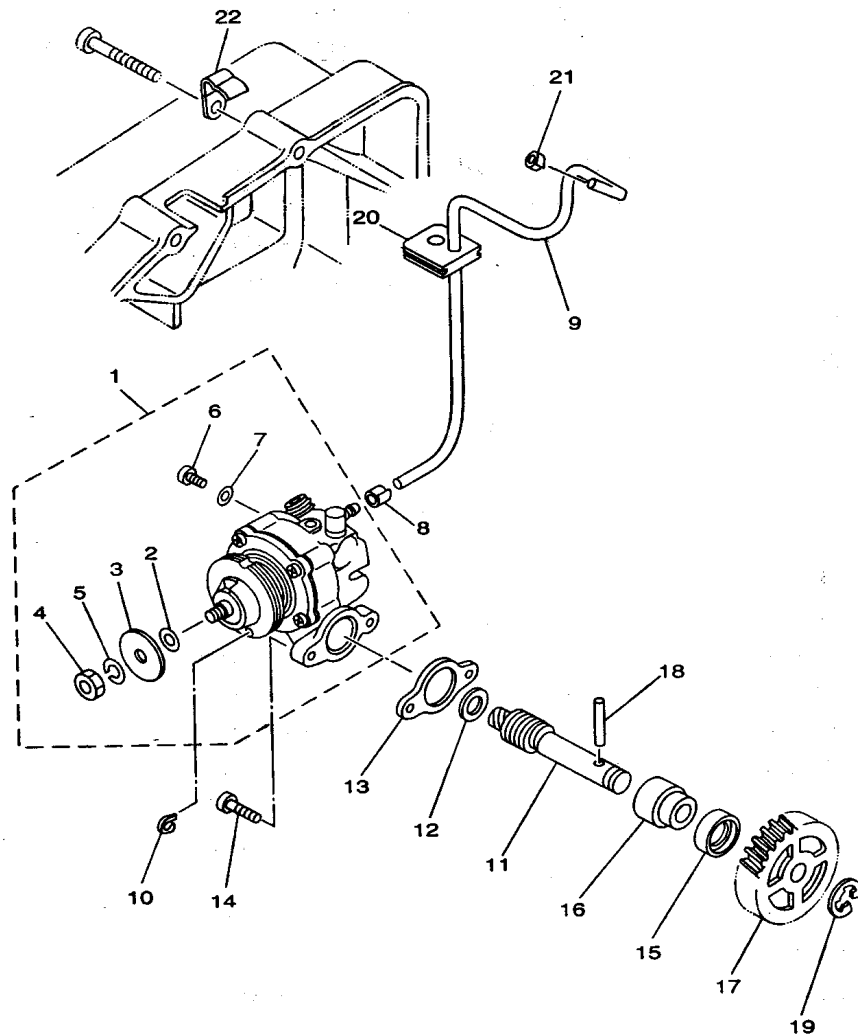
58X440-5010

FIG. 2 CRANKSHAFT, PISTON



REF.	PART NO.	DESCRIPTION	QTY	(ESCORTS NO.)	REMARKS
1	36L-E1400-00	CRANKSHAFT ASSY	1	1L1.54.01.00	
2	36L-E1412-00	.CRANK 1	1	1L1.54.01.01	
3	36L-E1422-00	.CRANK 2	1	1L1.54.01.02	
4	36L-E1681-00	.PIN, CRANK 1	1	1L1.54.01.03	
5	93310-422L0	.BEARING, CYLINDRICAL	1	1L1.54.02.00	
6	90209-22248	.WASHER	2	1A1.54.01.01	
7	36L-E1651-00	.ROD, CONNECTING	1	1L1.54.01.04	
8	90280-03017	KEY, WOODRUFF	1	1L1.54.00.01	
9	93210-18023	O-RING	1	1L1.54.00.02	
10	90387-205E9	COLLAR	1	1L1.54.00.03	
11	93306-304Y2	BEARING (R)	1	1L1.54.00.05	
12	93306-205Y0	BEARING (L)	1	1L1.54.00.04	
13	93102-25807	OIL SEAL (L)	1	1L1.54.00.06	
14	93103-28800	OIL SEAL (R)	1	1L1.54.00.07	
15	36L-E1631-00	PISTON (STD)	1	1L1.54.03.00	
	36L-E1635-00	PISTON (0.25MM O/S)	1	1L1.54.04.00	AP
	36L-E1636-00	PISTON (0.50MM O/S)	1	1L1.54.05.00	AP
	36L-E1637-00	PISTON (0.75MM O/S)	1	1L1.54.06.00	AP
	36L-E1638-00	PISTON (1.00MM O/S)	1	1L1.54.07.00	AP
16	36L-E1633-00	PIN, PISTON	1	1L1.54.00.08	
17	93310-21403	BEARING, CYLINDRICAL	1	1L1.54.13.00	
18	93450-15090	CIRCLIP	2	1L1.54.00.09	
19	36L-E1603-00	PISTON RING SET (STD)	2	1L1.54.08.00	
	36L-E1604-00	PISTON RING SET (0.25MM O/S)	1	1L1.54.09.00	AP
	36L-E1605-00	PISTON RING SET (0.50MM O/S)	1	1L1.54.10.00	AP
	36L-E1606-00	PISTON RING SET (0.75MM O/S)	1	1L1.54.11.00	AP
	36L-E1607-00	PISTON RING SET (1.00MM O/S)	1	1L1.54.12.00	AP

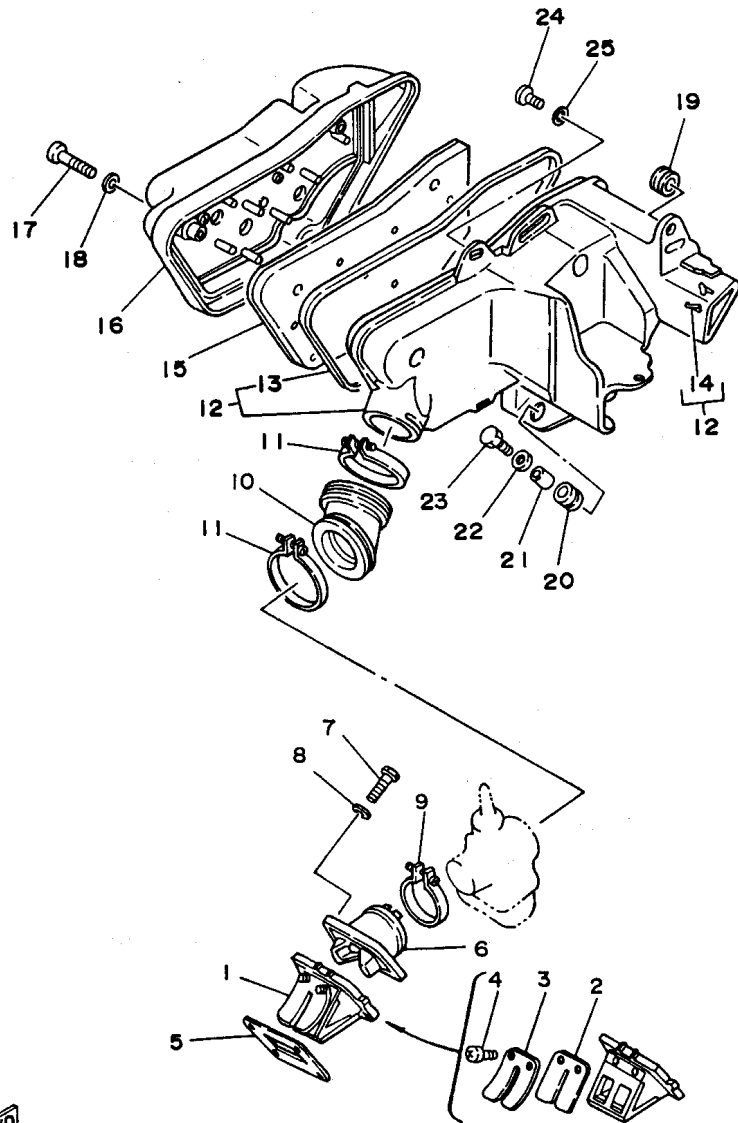
58X440-5020



36L0470-4030

FIG. 3 OIL PUMP

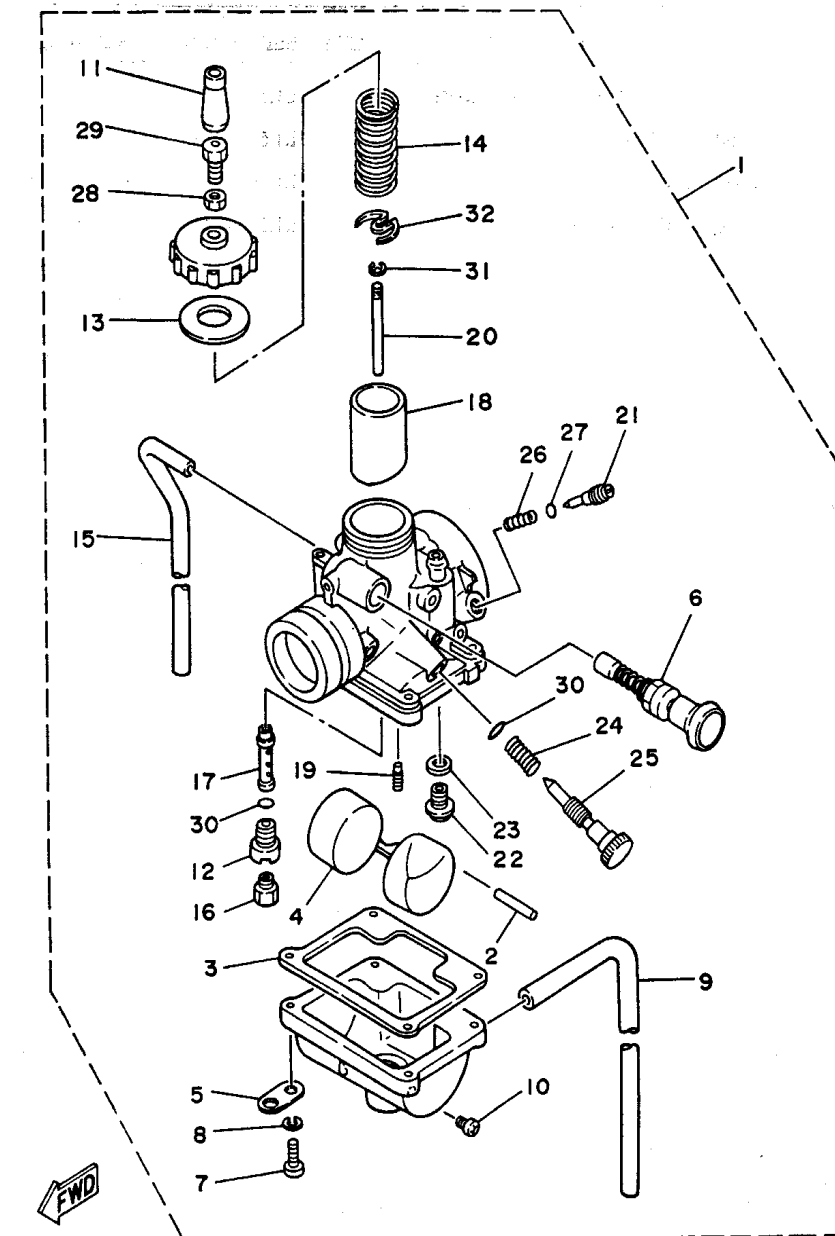
REF.	PART NO.	DESCRIPTION	Q'TY	(ESCORTS NO.)	REMARKS
1	36L-E3100-00	OIL PUMP ASSY	1	1L1.63.02.00	
2	36L-E3137-00-03	.SHIM, PLUNGER (0.3)	1	1A1.63.01.15	UR
	36L-E3137-00-05	.SHIM, PLUNGER (0.5)	1	1A1.63.01.16	UR
	36L-E3137-00-10	.SHIM, PLUNGER (1.0)	1	1A1.63.01.17	UR
3	36L-E3138-00	.PLATE, ADJUSTING	1	1A1.63.01.13	
4	95380-05600	.NUT	1	00.041.05	
5	92990-05100	.WASHER, SPRING	1	00.051.10	
6	98980-04008	.SCREW, BIND	1	00.327.01	
7	90430-04004	.GASKET	1	1A1.63.01.04	
8	90468-02033	CLIP	1	1L1.63.00.08	
9	90445-05203	HOSE	1	1L1.63.01.01	
10	36L-E3146-00	CLIP, PLUNGER	1	1L1.63.00.01	
11	36L-E3175-01	SHAFT, WORM	1	1L1.63.00.02	
12	90201-08624	WASHER, PLATE	1	1A1.63.00.02	
13	36L-E3116-00	GASKET, PUMP CASE	1	1A1.63.00.06	
14	98580-05014	SCREW, PAN HEAD	2	00.322.65	
15	93101-10806	OIL SEAL	1	1A1.63.00.05	
16	36L-E3176-00	METAL, WORM SHAFT OUTER	1	1A1.63.00.04	
17	36L-E3178-00	GEAR, PUMP DRIVE	1	1L1.63.00.03	
18	93603-22805	PIN, DOWEL	1	1A1.59.00.13	
19	93430-08810	CIRCLIP	1	00.163.11	
20	36L-E3174-00	HOLDER, OIL PIPE	1	1L1.63.00.04	
21	90468-02033	CLIP	1	1A1.63.00.08	
22	90462-08070	CLAMP	1	1L1.63.00.05	



36L0470-4040

FIG. 4 INTAKE

REF.	PART NO.	DESCRIPTION	Q'TY (ESCORTS NO.)	REMARKS
1	36L-E3610-00	REED VALVE ASSY	1 1L1.14.01.00	
2	36L-E3613-00	.REED, VALVE	2 Not for sale	
3	36L-E3616-00	.STOPPER, REED VALVE	2 Not for sale	
4	98507-03008	.SCREW, PAN HEAD	4 Not for sale	
5	36L-E3621-00	GASKET, VALVE SEAT	1 1A1.52.00.05	
6	36L-E3565-00	JOINT, CARBURETOR	1 1A1.52.01.00	
7	97017-06025	BOLT	4 02.021.07	
8	92907-06600	WASHER, PLATE	4 00.062.04	
9	90460-43053	CLAMP, HOSE	1 1A1.52.06.00	
10	36L-E4453-00	JOINT, AIR CLEANER 1	1 1L1.14.00.02	
11	90460-49058	CLAMP, HOSE	2 1L1.14.07.00	
12	36L-E4401-00	CASE, AIR FILTER	1 1L1.14.04.00	
13	36L-E4476-00	.SEAL	1 1L1.14.04.01	
14	36L-E4424-00	.CLIP, CAP FITTING	1 1L1.14.04.02	
15	36L-E4451-00	ELEMENT, AIR CLEANER	1 1L1.14.03.01	
16	36L-E4402-00	CAP ASSY, AIR CLEANER	1 1L1.14.06.00	
17	98507-06040	SCREW, PAN HEAD	3 00.342.27	
18	92907-06200	WASHER	3 00.063.04	
19	90480-12053	GROMMET	1 1L1.14.00.03	
20	90480-14023	GROMMET	1 1L1.14.00.04	
21	90387-07390	COLLAR	1 1L1.14.00.01	
22	90201-065F3	WASHER, PLATE	1 00.064.07	
23	97017-06025	BOLT	1 00.021.07	
24	98507-06016	SCREW, PAN HEAD	1 00.342.22	
25	90201-065F3	WASHER, PLATE	1 00.064.07	

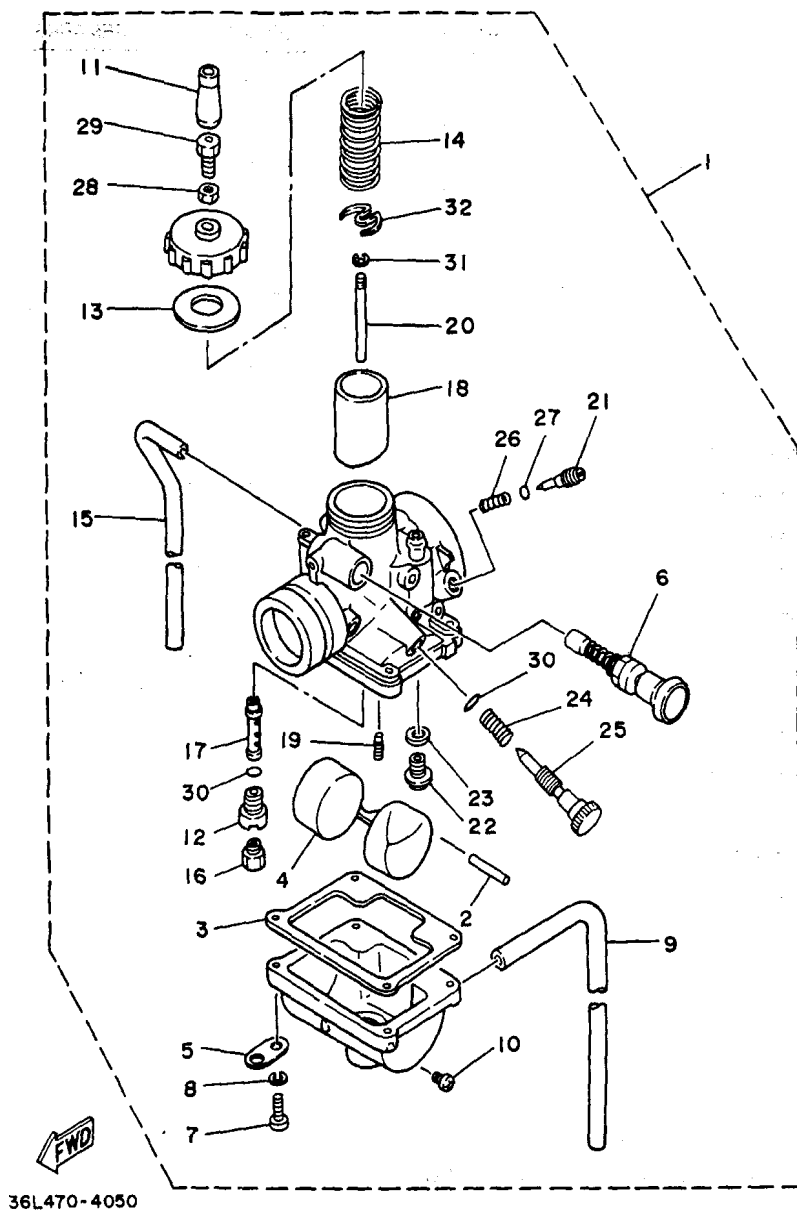


36L470-4050

FIG. 5 CARBURETOR

REF.	PART NO.	DESCRIPTION	QTY	(ESCORTS NO.)	REMARKS
1	36L-E4101-00	CARBURETOR ASSY 1	1	1L1.56.00.00	
2	36L-E4186-00	.PIN, FLOAT	1	1L1.56.00.01	
3	36L-E4184-00	.GASKET, FLOAT CHAMBER	1	1L1.56.00.02	
4	36L-E4185-00	.FLOAT	1	1L1.56.03.00	
5	36L-E4146-00	.PLATE	1	1L1.56.00.04	
6	36L-E4171-00	.PLUNGER, STARTER	1	1L1.56.04.00	
7	98511-04016	.SCREW, PAN HEAD	4	00.342.11	
8	92990-04100	.WASHER, SPRING	4	00.051.02	
9	36L-E4196-00	.PIPE	1	1L1.56.00.06	
10	36L-E4191-00	.PLUG, DRAIN	1	1L1.56.00.07	
11	36L-E4169-00	.CAP	1	1L1.56.00.08	
12	36L-E4145-00	.SETTER, NEEDLE JET	1	1L1.56.00.09	
13	36L-E4126-00	.GASKET	1	1L1.56.00.10	
14	36L-E4131-00	.SPRING, THROTTLE VALVE	1	1L1.56.00.11	
15	36L-E4197-00	.PIPE	1	1L1.56.00.12	
16	36L-E4143-23	.JET, MAIN (#115)	1	1L1.56.00.13	
17	36L-E4141-28	.NOZZLE, MAIN	1	1L1.56.00.14	
18	36L-E4112-20	.VALVE, THROTTLE 1	1	1L1.56.00.15	
19	36L-E4142-20	.JET, PILOT (# 20)	1	1L1.56.00.16	
20	36L-E4116-02	.NEEDLE	1	1L1.56.00.07	
21	36L-E4123-00	.SCREW, AIR ADJUSTING	1	1L1.56.00.18	
22	36L-E4190-20	.NEEDLE VALVE ASSY	1	1L1.56.05.00	
23	36L-E4195-00	.WASHER, NEEDLE VALVE	1	1L1.56.00.20	
24	36L-E4133-00	.SPRING, THROTTLE STOP	1	1L1.56.00.21	
25	36L-E4122-00	.SCREW, THROTTLE	1	1L1.56.00.22	
26	36L-E4134-00	.SPRING, AIR ADJUSTING	1	1L1.56.00.23	
27	36L-E4147-10	.O-RING	1	1L1.56.00.24	
28	36L-E4161-00	.NUT, CABLE ADJUSTING	1	1L1.56.00.25	

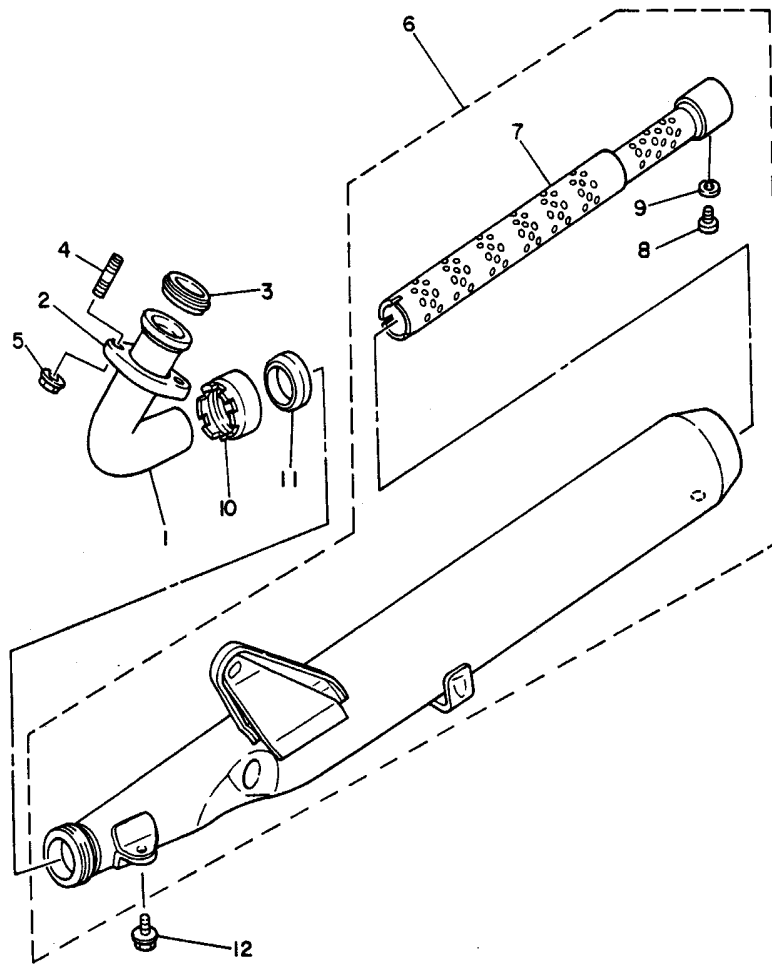
FIG. 5 CARBURETOR



REF.	PART NO.	DESCRIPTION	QTY	(ESCORTS NO.)	REMARKS
29	36L-E4124-00	.SCREW, CABLE ADJUSTING	1	1L1.56.00.26	
30	36L-E4147-00	.O-RING	2	1L1.56.00.19	
31	36L-E4137-00	.CLIP	1	1L1.56.00.05	
32	36L-E4136-00	.SEAT, SPRING	1	1L1.56.00.03	

36L470-4050

FIG. 6 EXHAUST



REF.	PART NO.	DESCRIPTION	QTY	(ESCORTS NO.)	REMARKS
1	36L-E4611-00	PIPE, EXHAUST 1	1	1L1.13.01.00	
2	36L-E4612-00	NUT, RING	1	1L1.13.00.01	
3	36L-E4613-00	GASKET, EXHAUST PIPE	1	1A1.13.00.02	
4	90116-08166	BOLT, STUD	2	1A1.13.00.03	
5	90179-08823	NUT	2	1L1.01.00.06	
6	36L-E4710-10	MUFFLER ASSY 1	1	1L1.13.02.00	
7	36L-E4753-00	.SILENCER, EXHAUST	1	1L1.13.04.00	
8	98517-06012	.SCREW, PAN HEAD	1	00.327.12	
9	92907-06100	.WASHER, SPRING	1	00.062.09	
10	36L-E4713-00	NUT, MUFFLER JOINT	1	1A1.13.00.05	
11	36L-E4714-00	GASKET, MUFFLER	1	1L1.13.00.02	
12	95817-08016	BOLT, FLANGE	1	00.026.02	

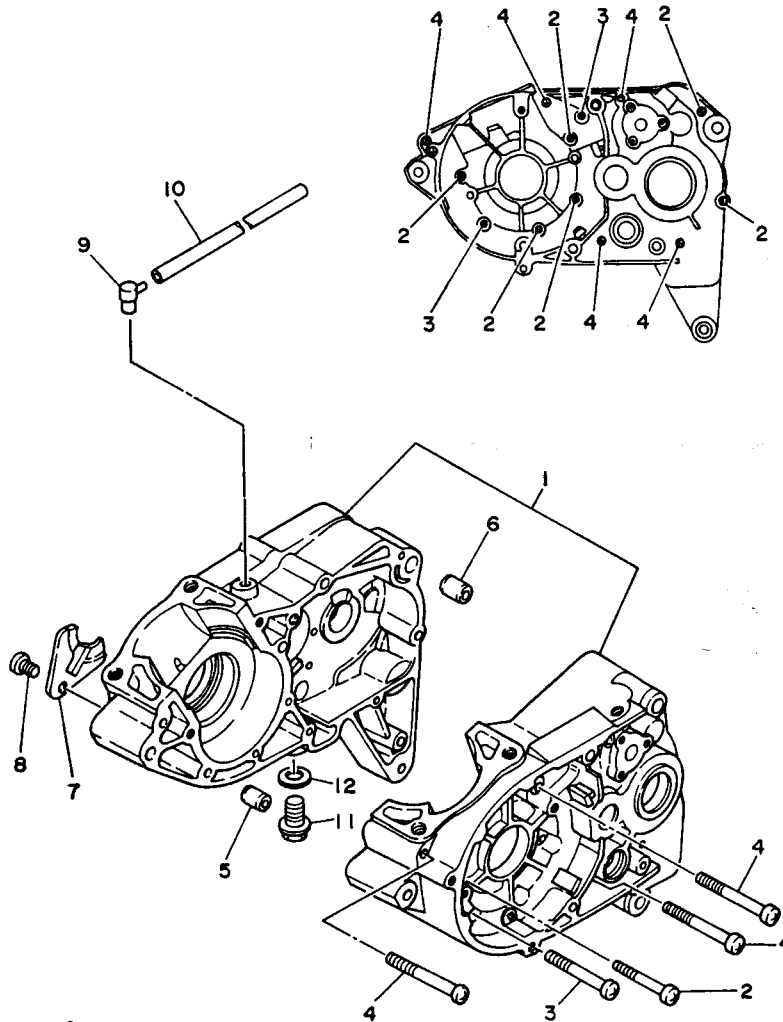
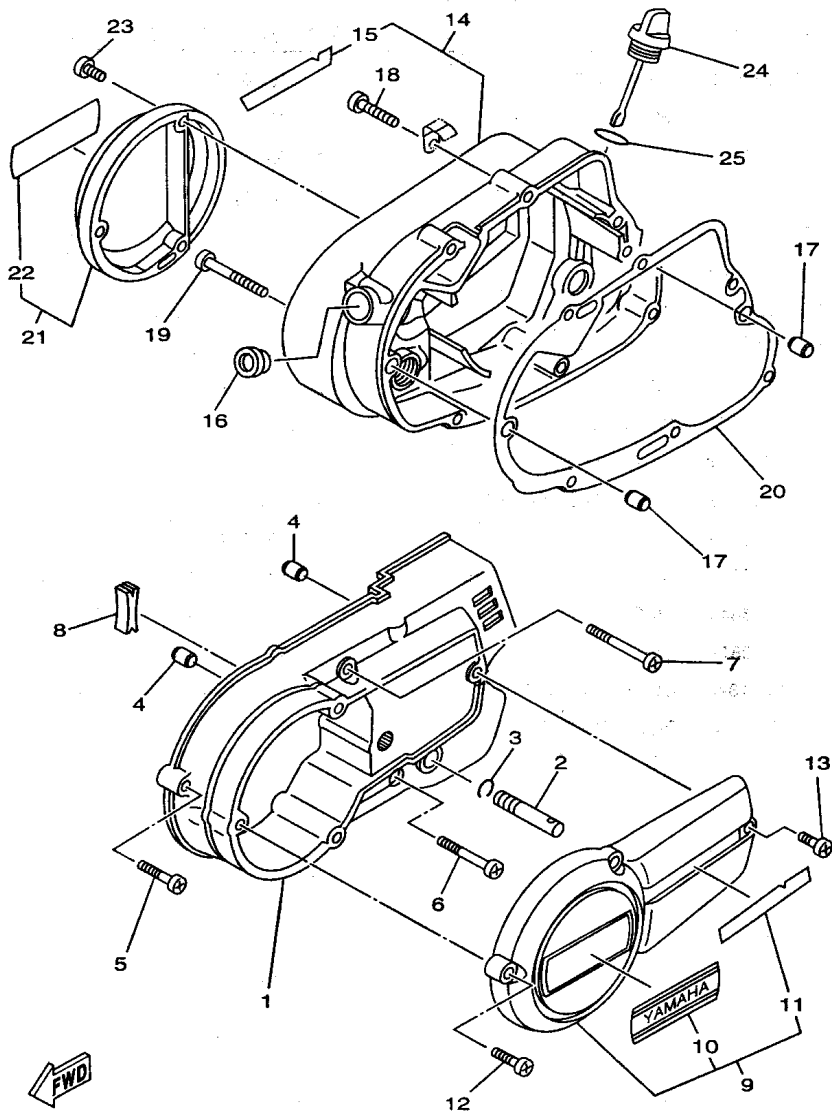


FIG. 7 CRANKCASE

REF.	PART NO.	DESCRIPTION	QTY (ESCORTS NO.)	REMARKS
1	36L-E5110-00	CRANKCASE ASSY	1 1L1.66.17.00	
2	98580-06545	SCREW, PAN HEAD	6 00.342.31	
3	98580-06555	SCREW, PAN HEAD	2 00.322.14	
4	98580-06565	SCREW, PAN HEAD	5 00.342.30	
5	99530-10014	PIN, DOWEL	1 1L1.55.00.01	
6	99530-14016	PIN, DOWEL	1 1L1.55.00.02	
7	36L-E5128-00	HOLDER	1 1L1.55.00.03	
8	98501-08010	SCREW, PAN HEAD	1 00.324.14	
9	36L-E5371-00	BREATHER	1 1A1.55.00.05	
10	90446-07228	HOSE	1 1L1.55.00.04	
11	90340-12005	PLUG, STRAIGHT SCREW	1 1L1.55.00.05	
12	90430-12207	GASKET	1 1L1.55.00.06	


4TL1470-6070

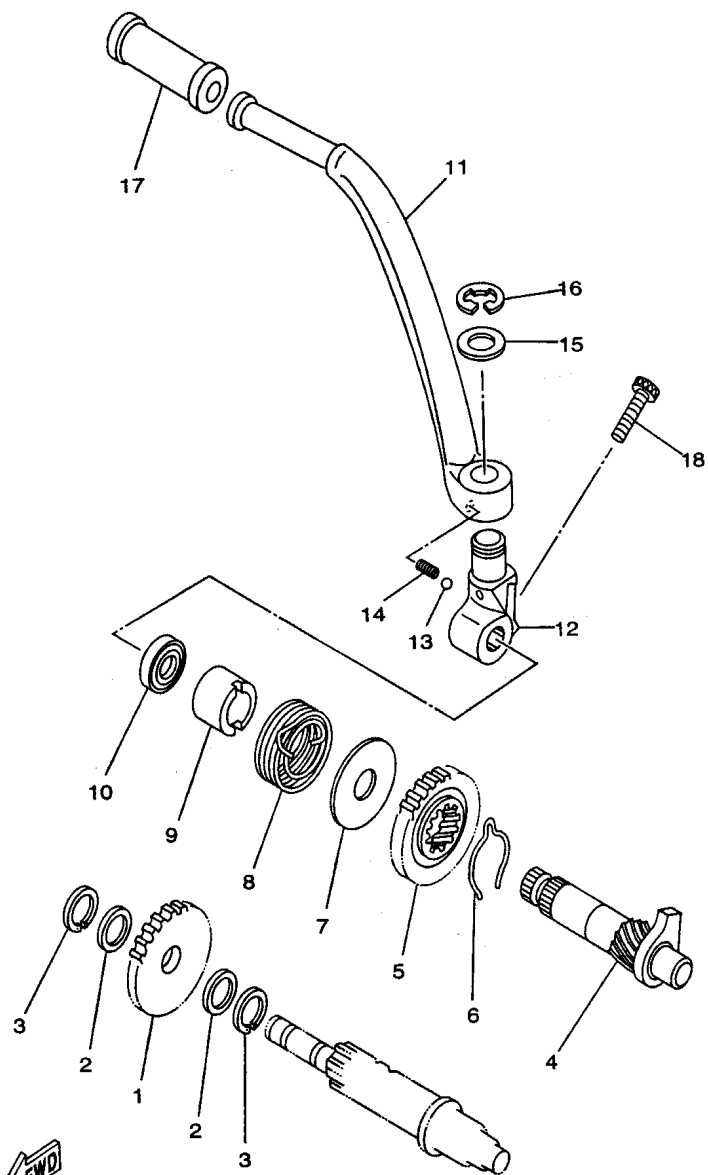


4TL1470-6080

FIG. 8 CRANKCASE COVER 1

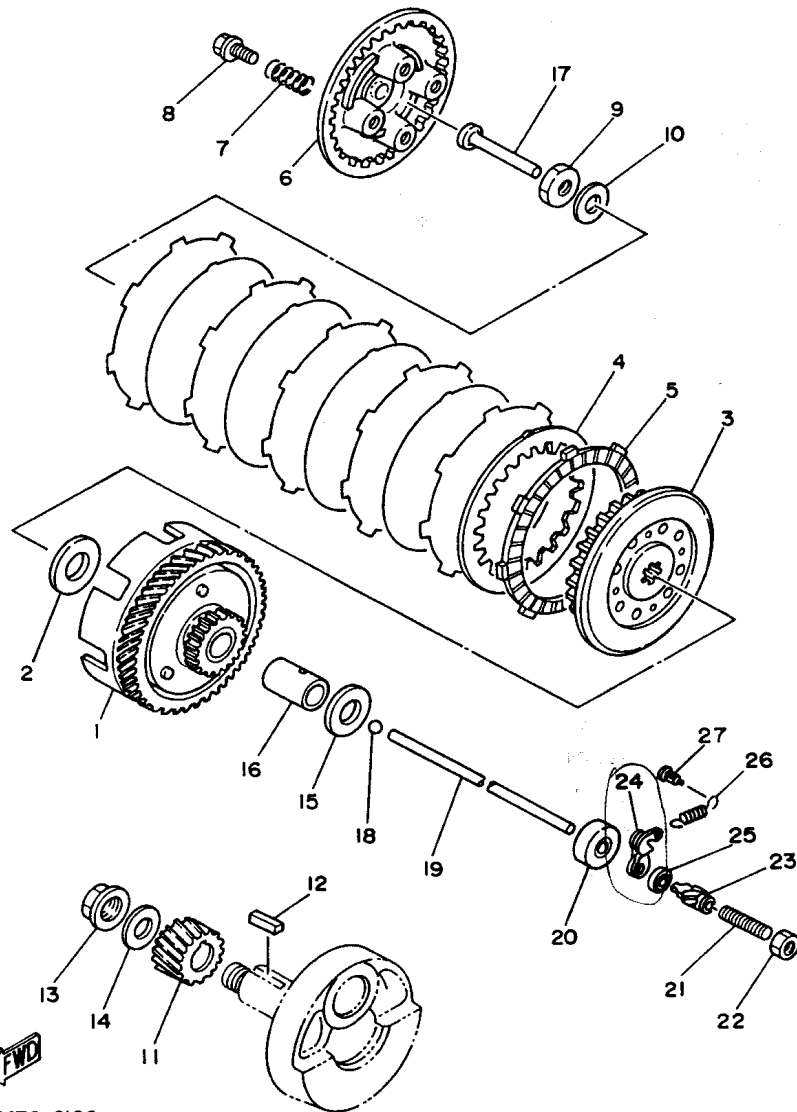
REF.	PART NO.	DESCRIPTION	QTY	(ESCORTS NO.)	REMARKS
1	36L-E5411-00	COVER, CRANKCASE 1	1	1L1.55.00.07	
2	36L-E8188-00	AXLE, PAWL HOLDER	1	1L1.60.00.18	
3	93440-11029	CIRCLIP	1	1L1.60.00.19	
4	99530-10014	PIN, DOWEL	2	1L1.55.00.01	
5	98580-06030	SCREW, PAN HEAD	2	00.342.25	
6	98580-06545	SCREW, PAN HEAD	1	00.342.28	
7	98580-06555	SCREW, PAN HEAD	1	00.342.29	
8	36L-E5357-00	GROMMET	1	1L1.55.00.08	
9	36L-WE541-00	GENERATOR COVER ASSY	1	1L1.55.04.00	
10	36L-E5435-00	.EMBLEM, YAMAHA	1	1L1.55.04.02	
11	36L-E5443-00	.EMBLEM	1	1L1.55.04.03	
12	98517-06025	SCREW, PAN HEAD	3	00.342.24	
13	98580-06016	SCREW, PAN HEAD	1	00.342.22	
14	36L-WE542-00	COVER ASSY 2	1	1L1.55.05.01	
15	36L-E5447-00	.EMBLEM	1	1L1.55.05.02	
16	90381-08803	BUSH, SOLID	1	1L1.58.00.22	
17	99530-10014	PIN, DOWEL	2	1L1.55.00.01	
18	97885-06035	SCREW, PAN HEAD	6	00.342.26	
19	98580-06555	SCREW, PAN HEAD	1	00.342.29	
20	36L-E5451-00	GASKET, CRANKCASE COVER 1	1	1L1.55.00.09	
21	36L-WE543-00	PUMP COVER ASSY	1	1L1.55.06.00	
22	36L-E5435-00	.EMBLEM YAMAHA	1	1L1.55.04.02	
23	98517-06025	SCREW, PAN HEAD	3	00.342.24	
24	36L-E5362-00	PLUG, OIL LEVEL	1	1L1.55.03.00	
25	93210-19809	O-RING	1	1L1.55.00.10	

FIG. 9 STARTER



REF.	PART NO.	DESCRIPTION	QTY (ESCORTS NO.)	REMARKS
1	36L-E5651-00	GEAR, KICK IDLE	1 1L1.61.00.01	
2	90201-15827	WASHER, PLATE	2 1L1.61.00.02	
3	93440-15802	CIRCLIP	2 00.162.03	
4	36L-E5660-00	KICK AXLE ASSY	1 1L1.61.01.00	
5	36L-E5641-00	GEAR, KICK	1 1L1.61.00.03	
6	90468-26048	CLIP	1 1L1.61.00.04	
7	36L-E5676-00	COVER, SPRING	1 1L1.61.00.05	
8	90508-26484	SPRING, TORSION	1 1L1.61.00.06	
9	36L-E5666-00	SPACER	1 1L1.61.00.07	
10	93101-17807	OIL SEAL	1 1L1.61.00.08	
11	36L-E5611-00	KICK CRANK	1 1L1.61.02.01	
12	36L-E5621-00	BOSS, KICK CRANK	1 1L1.61.02.02	
13	93507-32819	BALL	1 00.121.08	
14	90501-12081	SPRING, COMPRESSION	1 1A1.61.00.15	
15	90201-153A1	WASHER, PLAIN	1 1A1.61.00.17	
16	93430-10811	CIRCLIP	1 00.163.10	
17	36L-E5618-00	COVER, KICK LEVER	1 1A1.61.00.06	
18	91317-08025	BOLT, SOCKET HEAD	1 00.328.17	

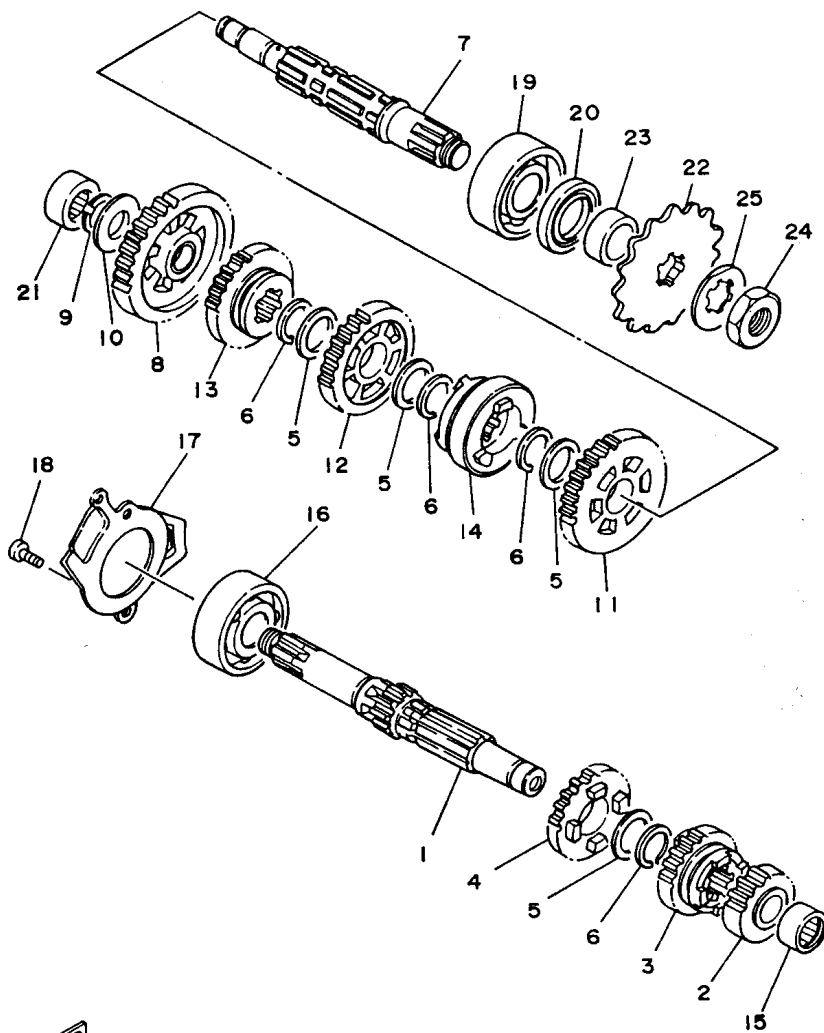

4TL1470-6090



4TL1470-6100

FIG. 10 CLUTCH

REF.	PART NO.	DESCRIPTION	Q'TY	(ESCORTS NO.)	REMARKS
1	36L-E6150-00	PRIMARY DRIVEN GEAR COMP.	1	1L1.57.02.00	
2	36L-E6154-00	PLATE, THRUST 1	1	1L1.57.01.01	
3	36L-E6371-00	BOSS, CLUTCH	1	1L1.57.01.02	
4	36L-E6324-00	PLATE, CLUTCH 1	4	1L1.57.01.03	
5	36L-E6321-00	PLATE, FRICTION	5	1L1.57.04.00	
6	36L-E6351-00	PLATE, PRESSURE 1	1	1L1.57.01.04	
7	90501-20568	SPRING, COMPRESSION	4	1L1.57.01.05	
8	90119-05020	BOLT, WITH WASHER	4	02.022.58	
9	90170-12060	NUT	1	1L1.57.00.01	
10	90208-12015	WASHER, CONICAL SPRING	1	1L1.57.00.02	
11	36L-E6111-00	GEAR, PRIMARY DRIVE	1	1L1.57.00.03	
12	90282-05005	KEY, STRAIGHT	1	1L1.57.00.04	
13	90179-12813	NUT	1	1L1.57.00.05	
14	90208-12015	WASHER, SPRING	1	1L1.57.00.02	
15	90201-17558	WASHER, PLATE	1	1L1.57.00.06	
16	90560-17147	SPACER	1	1L1.57.00.07	
17	36L-E6356-00	ROD, PUSH 1	1	1L1.57.00.08	
18	93503-16807	BALL	1	00.121.01	
19	36L-E6357-00	ROD, PUSH 2	1	1L1.57.00.09	
20	93109-05022	OIL SEAL	1	1L1.57.00.10	
21	90113-06013	BOLT, SET	1	1L1.57.00.13	
22	95380-06600	NUT	1	00.041.07	
23	36L-E6341-00	SCREW, PUSH	1	1L1.57.00.11	
24	36L-E6342-00	LEVER, PUSH	1	1L1.57.05.00	
25	93104-11806	OIL SEAL	1	1L1.57.00.12	
26	90506-10069	SPRING, TENSION	1	1A1.57.00.10	
27	36L-E6346-00	HOOK, SPRING	1	1A1.57.00.11	

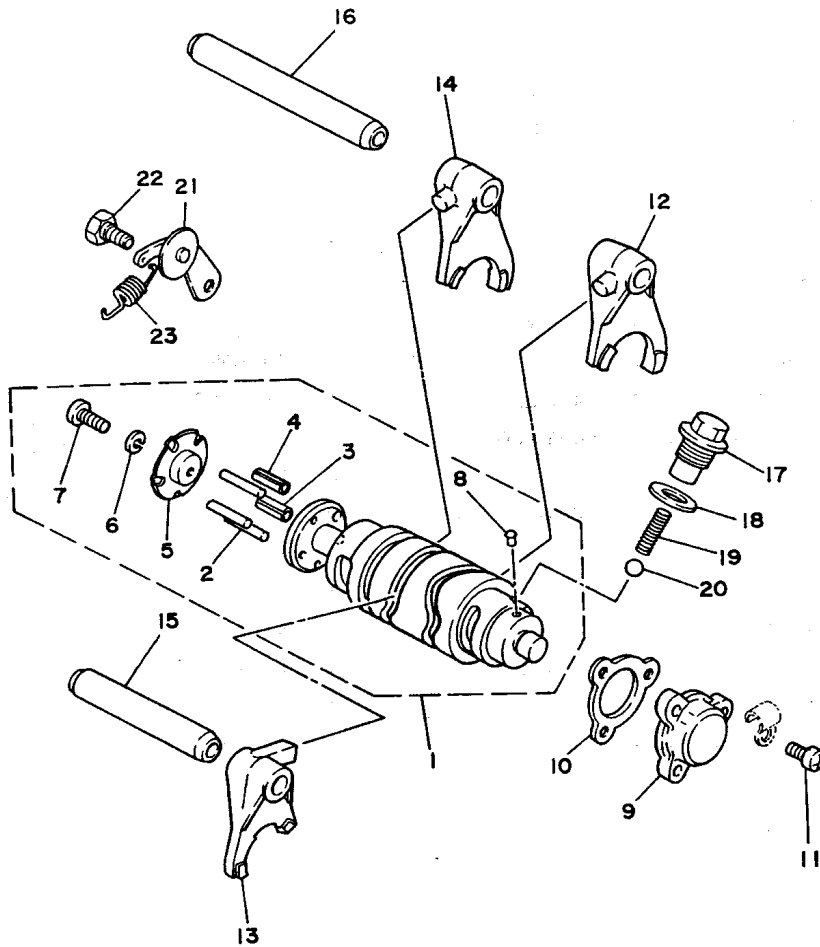


36L0470-4110

FIG. 11 TRANSMISSION

REF.	PART NO.	DESCRIPTION	QTY	(ESCORTS NO.)	REMARKS
1	36L-E7411-00	AXLE, MAIN	1	1L1.58.00.10	
2	36L-E7121-00	GEAR, 2ND PINION	1	1L1.58.00.11	
3	36L-E7131-00	GEAR, 3RD PINION	1	1L1.58.00.12	
4	36L-E7141-00	GEAR, 4TH PINION (23T)	1	1L1.58.00.13	
5	90201-20266	WASHER, PLATE (1.0T)	3	1A1.58.00.10	
6	93410-20809	CIRCLIP	4	1L1.58.00.14	
7	36L-E7421-00	AXLE, DRIVE	1	1L1.58.00.15	
8	36L-E7211-01	GEAR, 1ST WHEEL	1	1L1.58.01.00	
9	93440-15802	CIRCLIP	1	00.162.03	
10	90201-15828	WASHER, PLATE	1	1L1.58.00.16	
11	36L-E7221-00	GEAR, 2ND WHEEL	1	1L1.58.00.17	
12	36L-E7231-00	GEAR, 3RD WHEEL	1	1L1.58.00.18	
13	36L-E7241-00	GEAR, 4TH WHEEL (23T)	1	1L1.58.00.19	
14	36L-E7285-00	CLUTCH, DOG	1	1L1.58.00.07	
15	93311-315Y0	BEARING, CYLINDRICAL	1	1L1.58.00.04	
16	93306-303Y1	BEARING	1	00.134.03	
17	36L-E7471-00	PLATE, COVER	1	1L1.58.00.06	
18	98511-06012	SCREW, PAN HEAD	2	00.342.21	
19	93306-304Y1	BEARING	1	1L1.58.00.03	
20	93102-26805	OIL SEAL	1	1L1.58.00.02	
21	93311-315Y0	BEARING, CYLINDRICAL	1	1L1.58.00.04	
22	36L-E7461-50	SPROCKET, DRIVE (15T)	1	1L1.58.00.01	
23	90387-20491	COLLAR	1	1L1.58.00.08	
24	90179-16226	NUT	1	1L1.58.00.09	
25	90215-16127	WASHER, LOCK	1	1L1.58.00.20	

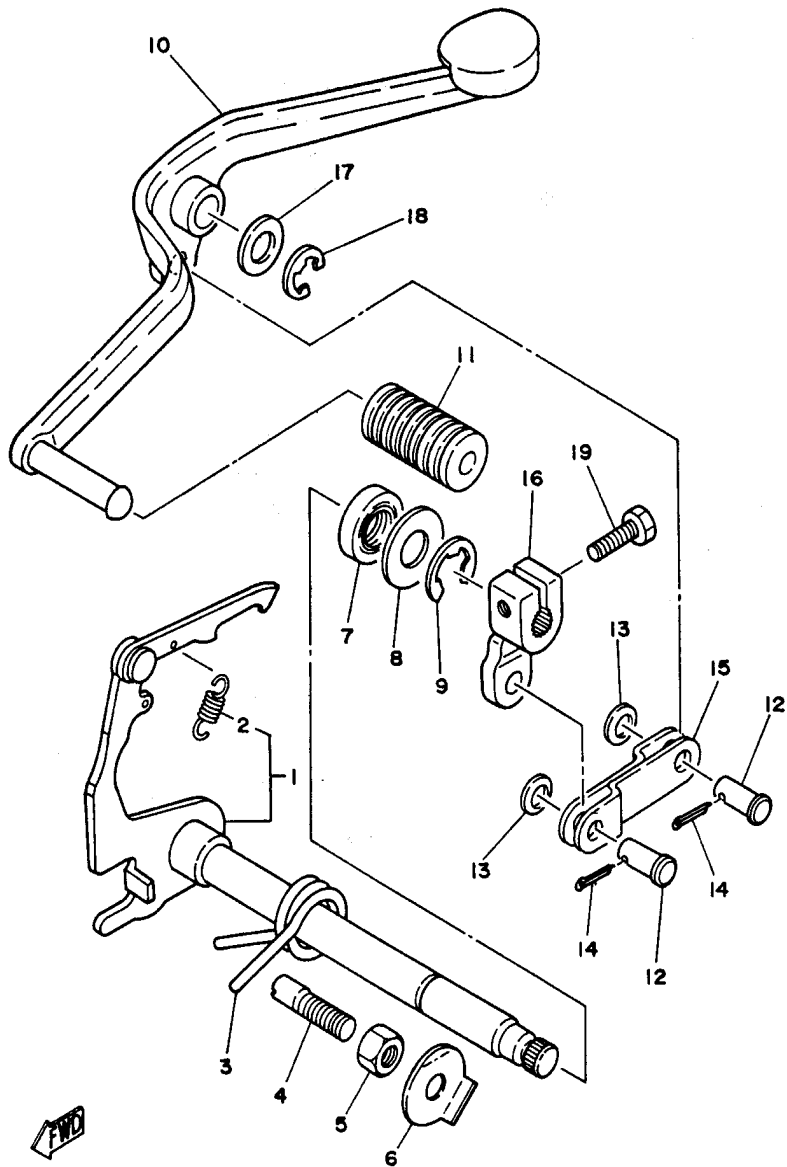
FIG. 12 SHIFTCAM. FORK



REF.	PART NO.	DESCRIPTION	QTY	(ESCORTS NO.)	REMARKS
1	36L-E8540-02	SHIFT CAM ASSY	1	1L1.60.01.00	
2	93604-22806	.PIN, DOWEL	3	1A1.60.00.09	
3	91609-50016	.PIN, SPRING	1	00.621.09	
4	91609-40016	.PIN, SPRING	1	00.621.10	
5	36L-E8561-00	.PLATE, SIDE 1	1	1L1.60.01.02	
6	92907-05100	.WASHER, SPRING	1	00.051.10	
7	98517-05012	.SCREW, PAN HEAD	1	00.342.16	
8	36L-E8542-00	.POINT, NEUTRAL	1	1L1.60.01.03	
9	4TL-E8589-00	.PLUG, BLIND	1	1L1.60.00.01	
10	36L-E8579-00	GASKET, PLUG BLIND	1	1L1.60.00.02	
11	98517-06008	SCREW, PAN HEAD	3	00.342.20	
12	3M5-18511-01	FORK, SHIFT 1	1	1L1.60.00.03	
13	3M5-18512-00	FORK, SHIFT 2	1	1L1.60.00.04	
14	3M5-18513-00	FORK, SHIFT 3	1	1L1.60.00.05	
15	36L-E8531-00	BAR, SHIFT FORK GUIDE 1	1	1L1.60.00.06	
16	36L-E8535-00	BAR, SHIFT FORK GUIDE 2	1	1L1.60.00.07	
17	90109-14385	BOLT	1	1L1.60.00.08	
18	36L-E5353-00	GASKET, DRAIN	1	1A1.60.00.26	
19	90501-10353	SPRING, COMPRESSION	1	1L1.60.00.09	
20	93505-16814	BALL	1	00.121.03	
21	36L-E8140-00	STOPPER LEVER ASSY	1	1L1.60.03.00	
22	90109-06001	BOLT	1	1L1.60.00.15	
23	90506-09809	SPRING, TENSION	1	1L1.60.00.16	



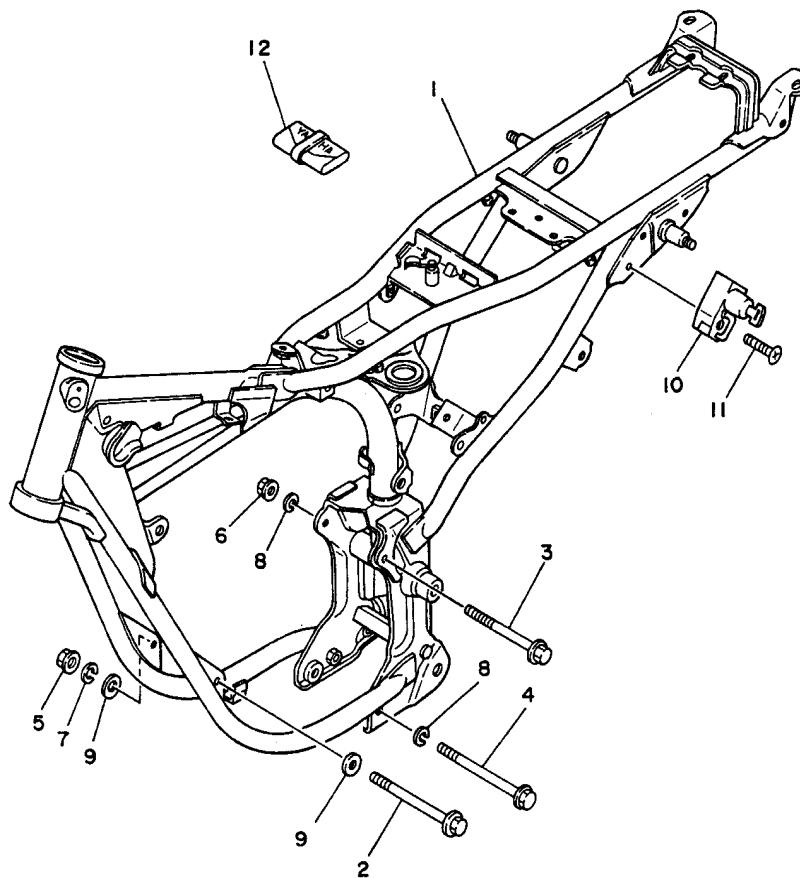
36L470-4120



58X440-5140

FIG. 13 SHIFT SHAFT

REF.	PART NO.	DESCRIPTION	QTY (ESCORTS NO.)	REMARKS
1	36L-E8101-00	SHIFT SHAFT ASSY	1	1L1.60.02.00
2	90506-08818	.SPRING, TENSION	1	1L1.60.02.05
3	90508-32811	SPRING, TORSION	1	1L1.60.00.10
4	90149-08094	SCREW	1	1L1.60.00.11
5	90170-08029	NUT	1	1L1.60.00.20
6	90215-08014	WASHER, LOCK	1	1L1.60.00.12
7	93109-14803	OIL SEAL	1	1L1.60.00.13
8	90201-14220	WASHER, PLATE	1	1L1.60.00.14
9	93430-12812	CIRCLIP	1	00.163.05
10	36L-E8111-00	PEDAL, SHIFT	1	1L1.60.05.00
11	36L-E8113-00	COVER, SHIFT PEDAL	1	1A1.60.00.30
12	90240-08013	PIN, CLEVIS	2	1L1.60.04.01
13	90201-08085	WASHER, PLATE	2	1L1.60.04.02
14	91490-16020	PIN, COTTER	2	00.091.16
15	36L-E8115-00	ROD, SHIFT	1	1L1.60.06.00
16	36L-E8112-00	ARM, SHIFT	1	1L1.60.07.00
17	90201-12631	WASHER, PLATE	1	1L1.60.00.17
18	93430-10811	CIRCLIP	1	00.163.10
19	97017-06020	BOLT	1	00.021.06



36L470-5140

FIG. 14 FRAME

REF.	PART NO.	DESCRIPTION	QTY (ESCORTS NO.)	REMARKS
1	36L-F1110-10	FRAME COMP.	1	1L1.01.01.00
2	90105-08099	BOLT, WASHER BASED	1	1L1.01.00.02
3	90105-10849	BOLT, WASHER BASED	1	1L1.01.00.04
4	90105-10040	BOLT, WASHER BASED	1	1L1.01.00.05
5	95707-08500	NUT, FLANGE	1	1L1.01.00.06
6	95707-10500	NUT, FLANGE	1	1L1.01.00.07
7	92907-08100	WASHER, SPRING	1	00.051.06
8	92907-10100	WASHER, SPRING	2	00.051.07
9	90209-08050	WASHER	2	1L1.01.00.03
10	36L-F1308-V0	HELMET HANGER ASSY	1	1L1.01.24.00
11	92707-06030	SCREW	1	00.343.03
12	36L-F8100-00	TOOL KIT	1	1L1.15.01.00

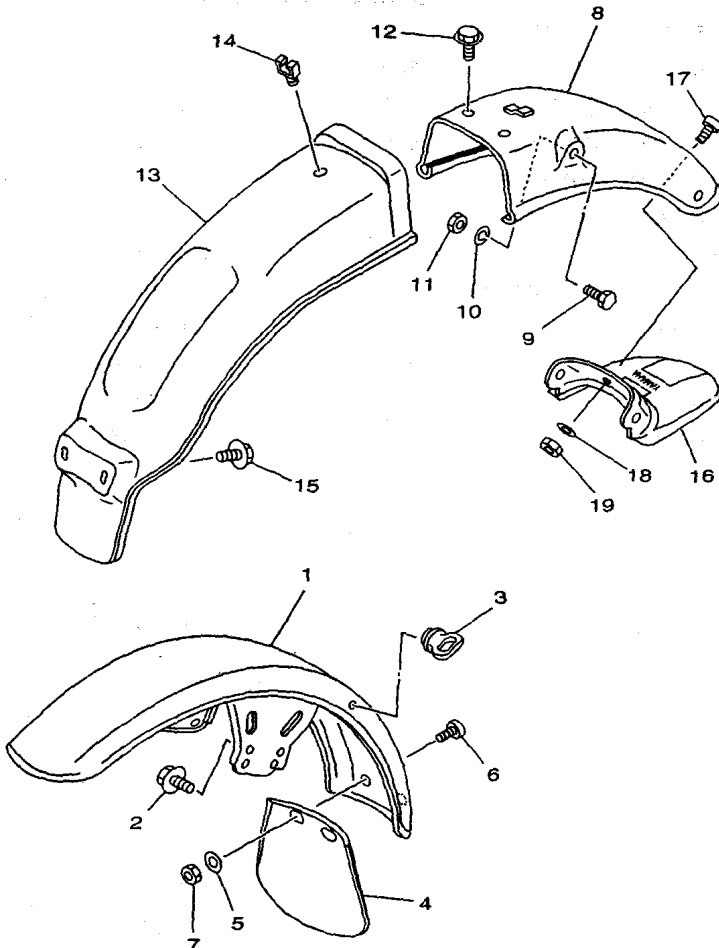
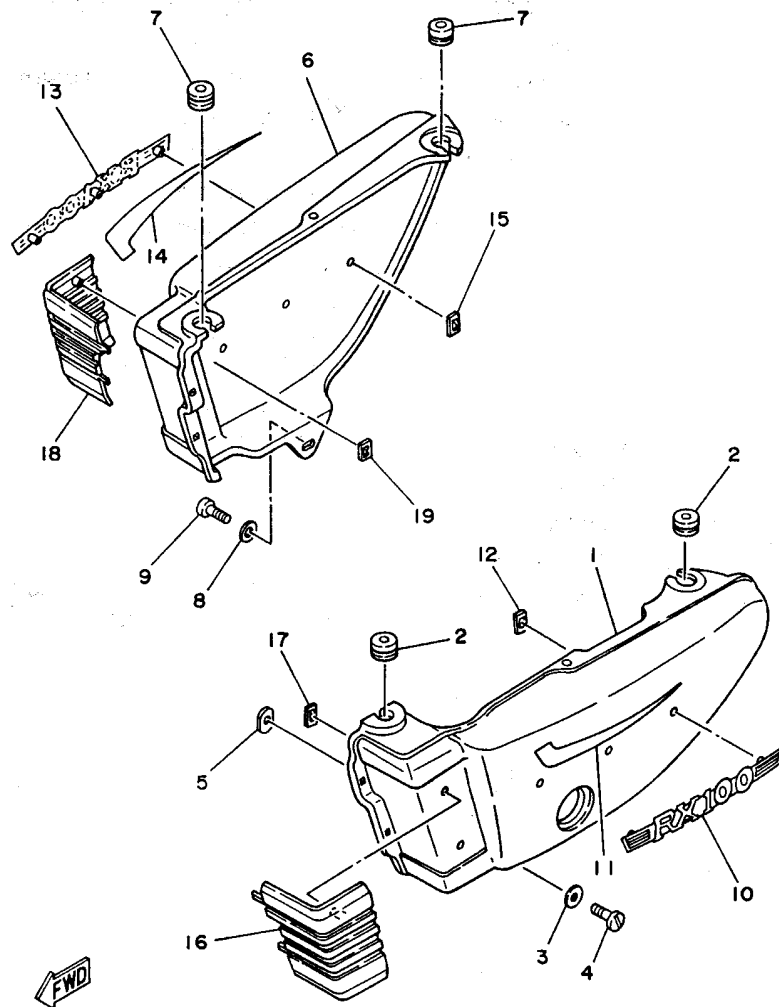


FIG. 15 FENDER

REF.	PART NO.	DESCRIPTION	QTY	(ESCORTS NO.)	REMARKS
1	36L-F1510-10	FRONT FENDER COMP.	1	1L1.08.01.00	
2	95807-06016	BOLT, FLANGE	4	00.026.01	
3	36L-F1518-00	HOLDER, CABLE	1	1A1.08.00.01	
4	36L-F1521-00	FLAP, FRONT FENDER	1	1L1.08.00.01	
5	90201-05725	WASHER, PLATE	2	00.064.06	
6	98517-05012	SCREW, PAN HEAD W/W	2	02.342.16	
7	95307-05600	NUT	2	00.041.05	
8	36L-F1610-10	REAR FENDER COMP.	1	1L1.09.01.00	
9	97017-08020	BOLT	2	00.022.57	
10	92907-08100	WASHER, SPRING	2	00.051.06	
11	95337-08600	NUT	2	00.041.09	
12	95817-06012	BOLT, FLANGE	2	00.026.05	
13	36L-F1629-00	GUARD, MUD	1	1L1.09.00.02	
14	90464-08020	CLAMP	1	1L1.09.00.03	
15	90119-06056	BOLT, WITH WASHER	2	1L1.09.02.00	
16	36L-F1621-01	FLAP	1	1L1.09.00.01	
17	98507-05016	SCREW, PAN HEAD W/W	3	00.342.18	
18	90201-05036	WASHER, PLATE	3	1L1.09.00.04	
19	95307-05600	NUT	3	00.041.05	

36L0470-4150



36L0470-4160

FIG. 16 SIDE COVER

REF.	PART NO.	DESCRIPTION	QTY (ESCORTS NO.)	REMARKS
1	36L-F1711-01-H6	COVER, SIDE 1(MACHO MAROON.)	1	1L1.10.01.01
	36L-F1711-01-H9	COVER, SIDE 1(BLACK GOLD)	1	1L1.10.01.01
	36L-F1711-01-20	COVER, SIDE 1(C.SILVER)	1	1L1.10.01.01
2	90480-12053	GROMMET	2	1L1.10.10.04
3	90201-065F3	WASHER, PLATE	1	1L1.10.00.01
4	90146-06009	SCREW, OVAL FILLISTER	1	1L1.10.00.02
5	90179-06264	NUT	1	1L1.10.00.03
6	36L-F1721-00-H6	COVER, SIDE 2 (MACHO MAROON.)	1	1L1.10.02.01
	36L-F1721-00-H9	COVER, SIDE 2 (BLACK GOLD)	1	1L1.10.02.01
	36L-F1721-00-20	COVER, SIDE 2 (C.SILVER)	1	1L1.10.02.01
7	90480-12053	GROMMET	2	1L1.14.00.03
8	90201-065F3	WASHER, PLATE	1	1L1.10.00.01
9	98507-06016	SCREW, PAN HEAD	1	00.327.12
10	36L-F1781-10	EMBLEM 1 (RX100)	1	1L1.10.01.02
11	36L-F173E-00	EMBLEM (L)	1	1L1.10.01.09
	36L-F173E-10	EMBLEM (L)	1	1L1.10.01.10
12	90183-04005	NUT, SPRING	3	1L1.10.01.03
13	36L-F1782-10	EMBLEM 2 (RX100)	1	1L1.10.02.02
14	36L-F173F-00	EMBLEM (R)	1	1L1.10.02.07
	36L-F173F-10	EMBLEM (R)	1	1L1.10.02.08
15	90183-04005	NUT, SPRING	3	1L1.10.01.03
16	36L-F1783-00	EMBLEM (L)	1	1L1.10.01.04
17	90183-06018	NUT, SPRING	2	1L1.10.01.05
18	36L-F1784-00	EMBLEM (R)	1	1L1.10.02.03
19	90183-06018	NUT, SPRING	2	1L1.10.01.05

FOR
C.SILVER
FOR BLACK
GOLD

FOR
C.SILVER
FOR BLACK
GOLD

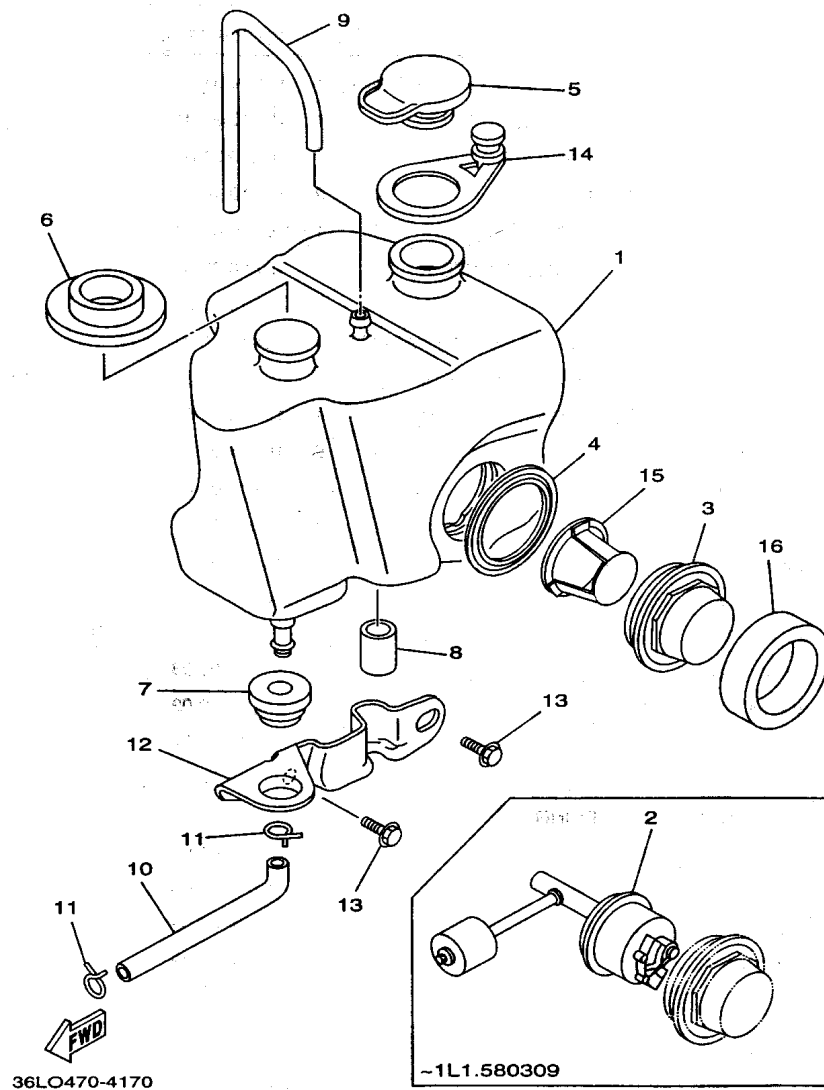
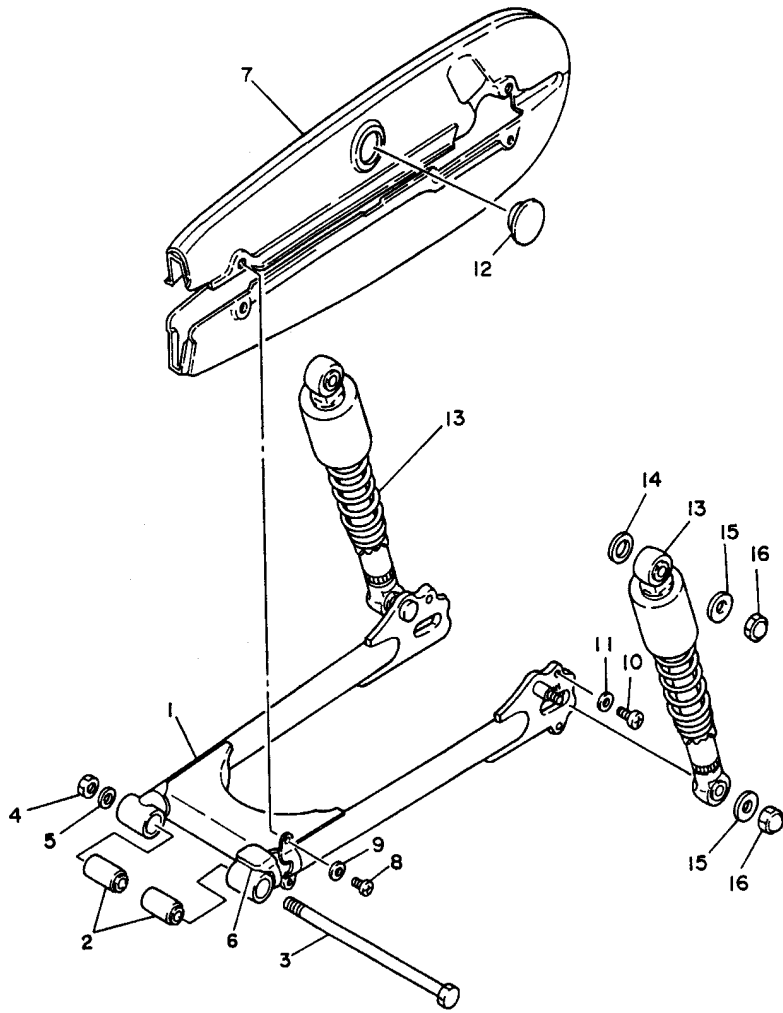


FIG. 17 OIL TANK

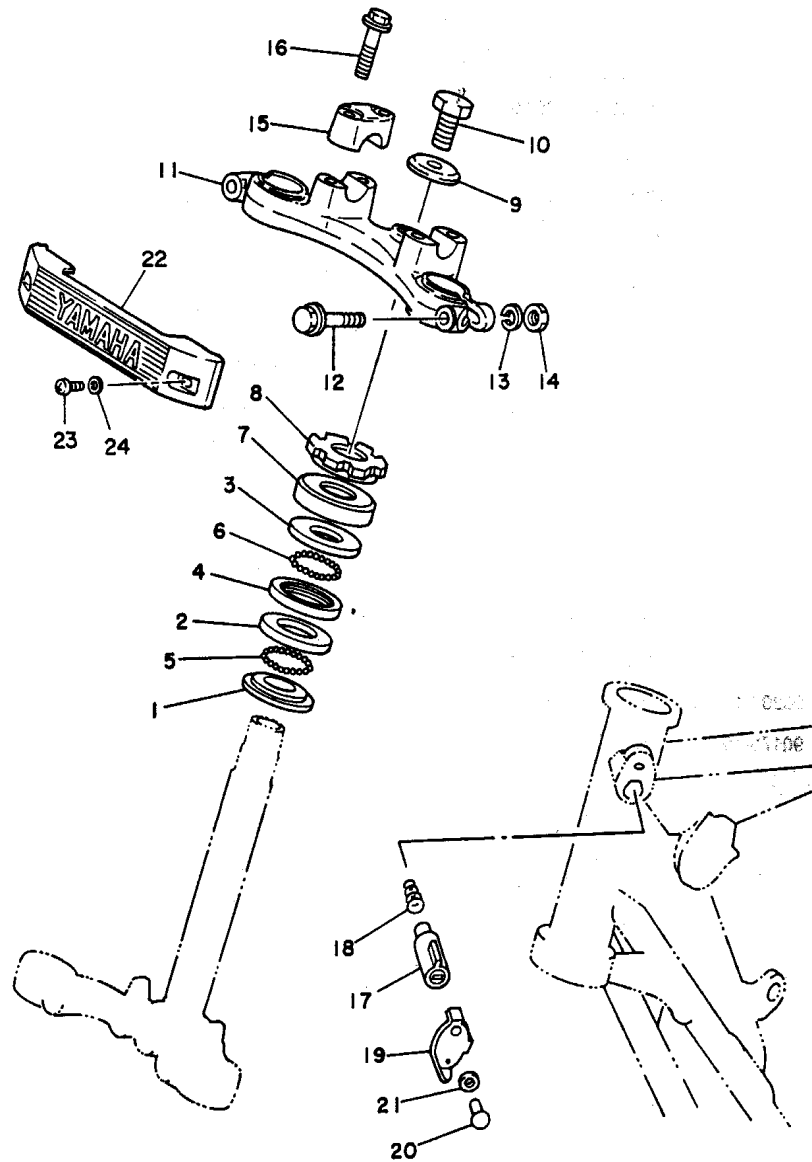
REF.	PART NO.	DESCRIPTION	QTY	(ESCORTS NO.)	REMARKS
1	36L-F1751-00	TANK, OIL	1	1L1.23.01.01	
2	36L-F1761-90	GAUGE, LEVEL	1	1L1.23.02.00	~1L1.580309
3	36L-F1764-00	LENS, LEVEL GAUGE	1	1L1.23.01.02	
4	36L-F1763-00	GASKET, LEVEL GAUGE	1	1L1.23.01.03	
5	36L-F1771-00	BODY, CAP	1	1L1.23.00.06	
6	90385-24028	BUSH	1	1L1.23.00.02	
7	90480-18171	GROMMET	1	00.23.00.03	
8	90385-08029	BUSH	1	1L1.23.00.04	
9	36L-F1745-00	PIPE, OIL TANK BREATHER	1	1L1.23.00.05	
10	90445-09107	HOSE	1	1L1.63.00.06	
11	90467-08003	CLIP	2	1A1.23.00.04	
12	36L-F1155-00	BRACKET, OIL TANK	1	1L1.23.03.00	
13	95817-06012	BOLT, FLANGE	2	00.026.02	
14	36L-F1776-00	BAND, TANK FITTING	1	1L1.23.00.01	
15	36L-F176A-00	REFLECTOR, LEVEL GAUGE	1	1L2.23.02.00	1L1.580310~
16	4TL-F1747-00	DAMPER (OIL GAUGE)	1	1L5.23.00.01	1L1.580310~



36L470-4180

FIG. 18 REAR ARM. SUSPENSION

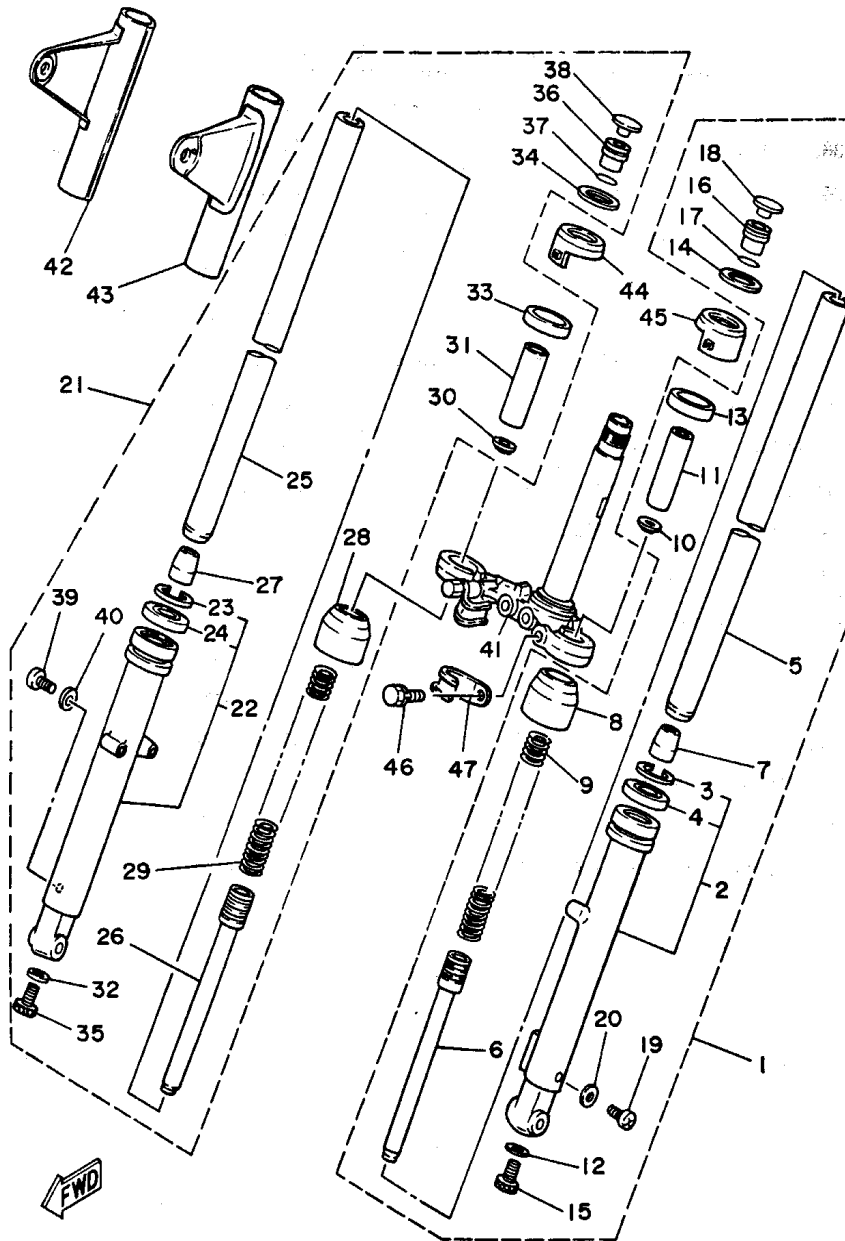
REF.	PART NO.	DESCRIPTION	Q'TY (ESCORTS NO.)	REMARKS
1	36L-F2110-10	REAR ARM COMP.	1	1L1.22.01.00
2	36L-F2123-00	BUSH 1	2	1L1.22.02.00
3	36L-F2141-01	SHAFT, PIVOT	1	1L1.22.00.01
4	90170-12408	NUT	1	1L1.22.00.03
5	92907-12200	WASHER	1	00.061.07
6	36L-F2151-00	SEAL, GUARD	1	1L1.22.00.02
7	36L-F2310-10	CHAIN CASE ASSY	1	1L1.06.01.00
8	98517-06012	SCREW, PAN HEAD	2	02.342.22
9	92907-06600	WASHER, PLATE	2	02.342.21
10	98507-06016	SCREW, PAN HEAD	2	02.342.22
11	92907-06600	WASHER, PLATE	2	02.342.22
12	36L-F2315-00	CAP	1	1L1.06.00.01
13	36L-F2210-00	SHOCK ABSORBER ASSY, REAR	2	1L1.21.01.00
14	90201-14218	WASHER, PLATE	2	1A1.09.00.03
15	90201-106F2	WASHER, PLATE	4	111.03.00.01
16	90176-10073	NUT, CROWN	4	00.046.04



36L470-4190

FIG. 19 STEERING

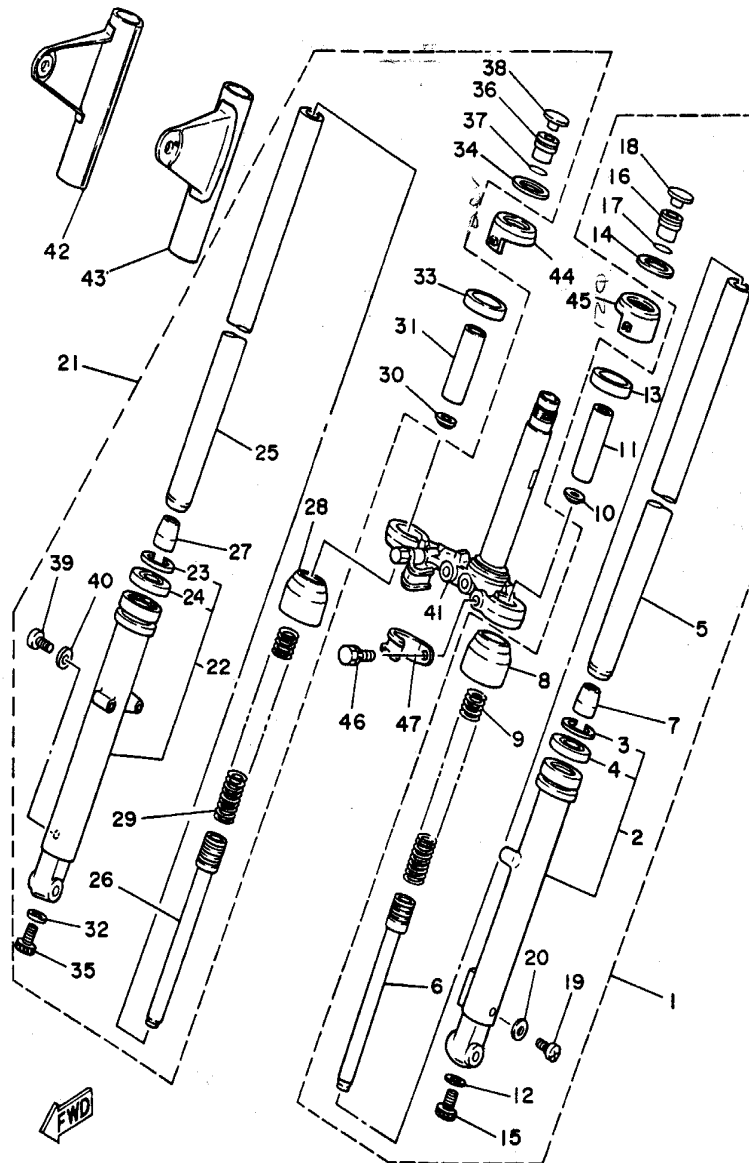
REF.	PART NO.	DESCRIPTION	QTY (ESCORTS NO.)	REMARKS
1	36L-F3411-00	RACE, BALL 1	1	139.03.06.01
2	36L-F3412-00	RACE, BALL 2	1	139.03.00.04
3	36L-F3411-10	RACE, BALL 1	1	1L1.02.00.01
4	36L-F3412-10	RACE, BALL 2	1	1L1.02.00.02
5	93501-04805	BALL	19	00.121.02
6	93503-16806	BALL	22	00.121.01
7	36L-F3416-00	COVER, BALL RACE 2	1	1L1.02.00.03
8	90179-25033	NUT	1	1A1.02.00.08
9	90209-10224	WASHER	1	1L1.02.00.04
10	90105-10006	BOLT, WASHER BASED	1	00.024.01
11	36L-F3435-00	CROWN, HANDLE	1	1L1.02.00.05
12	95817-08050	BOLT, FLANGE	2	00.026.04
13	92907-08100	WASHER, SPRING	2	00.051.06
→14	95337-08600	NUT	2	00.041.09 ✓
15	36L-F3441-01	HOLDER, HANDLE UPPER	2	1L1.02.00.06
16	95817-08030	BOLT, FLANGE	4	00.026.03
17	36L-F3480-V1	STEERING LOCK ASSY	1	1L1.02.15.00
18	90502-09024	SPRING, CONICAL	1	1L1.02.00.07
19	36L-F3484-00	CAP, HANDLE LOCK	1	123.24.00.01
20	90269-04003	RIVET	1	00.340.02
21	90208-04029	WASHER, CONICAL SPRING	1	1L1.02.00.09
22	36L-F3395-00	EMBLEM	1	1L1.02.00.10
23	98507-05010	SCREW, PAN HEAD	2	00.327.08
24	92907-05200	WASHER	2	1L1.02.00.11



36L470-4200

FIG. 20 FRONT FORK

REF.	PART NO.	DESCRIPTION	QTY	(ESCORTS NO.)	REMARKS
1	36L-F3102-00	FRONT FORK ASSY (L.H)	1	1L1.02.03.00	
2	36L-F3106-00	.OUTER TUBE COMP. (L.H)	1	1L1.02.04.00	
3	36L-F3156-00	..CLIP, OIL SEAL	1	1L1.02.04.01	
4	36L-F3145-00	..OIL SEAL	1	1L1.02.04.02	
5	36L-F3110-00	.INNER TUBE COMP.1	1	1L1.02.05.00	
6	36L-F3170-K0	.CYLINDER COMP., FRONT FORK	1	1L1.02.06.00	
7	36L-F3173-00	.SPINDLE, TAPER	1	130.02.05.03	
8	36L-F3144-00	.SEAL, DUST	1	130.02.05.02	
9	36L-F3141-00	.SPRING, FRONT FORK	1	1L1.02.03.03	
10	36L-F3146-00	.WASHER, OIL SEAL	1	130.02.05.04	
11	36L-F3118-00	.SPACER	1	1L1.02.03.05	
12	36L-F3158-L0	.GASKET	1	1A1.02.07.06	
13	36L-F3163-00	.GASKET	1	1L1.02.03.01	
14	36L-F3116-00	.GUIDE, COVER LOWER	1	1L1.02.03.02	
15	36L-F3181-50	.BOLT, HEXAGON SOCKET HEAD	1	1L1.02.03.04	
16	36L-F3111-00	.BOLT, CAP	1	130.02.05.07	
17	36L-F3114-00	.O-RING	1	130.02.05.06	
18	36L-F3168-00	.CAP, FRONT FORK	1	130.02.05.08	
19	36L-F3119-00	.PLUG, DRAIN	1	1L1.02.03.06	
20	36L-F3129-00	.GASKET, DRAIN PLUG	1	130.02.05.01	
21	36L-F3103-00	FRONT FORK ASSY (R.H)	1	1L1.02.07.00	
22	36L-F3107-00	.OUTER TUBE COMP. (R.H)	1	1L1.02.08.00	
23	36L-F3156-00	..CLIP, OIL SEAL	1	1L1.02.04.01	
24	36L-F3145-00	..OIL SEAL	1	1L1.02.04.02	
25	36L-F3110-00	.INNER TUBE COMP.1	1	1L1.02.05.00	
26	36L-F3170-K0	.CYLINDER COMP., FRONT FORK	1	1L1.02.06.00	
27	36L-F3173-00	.SPINDLE, TAPER	1	130.02.05.03	
28	36L-F3144-00	.SEAL, DUST	1	130.02.05.02	



36L470-4200

FIG. 20 FRONT FORK

REF.	PART NO.	DESCRIPTION	QTY	(ESCORTS NO.)	REMARKS
29	36L-F3141-00	.SPRING, FRONT FORK	1	1L1.02.03.03	
30	36L-F3146-00	.WASHER, OIL SEAL	1	130.02.05.04	
31	36L-F3118-00	.SPACER	1	1L1.02.03.05	
32	36L-F3158-L0	.GASKET	1	1A1.02.07.06	
33	36L-F3163-00	.GASKET	1	1L1.02.03.01	
34	36L-F3116-00	.GUIDE, COVER LOWER	1	1L1.02.03.02	
35	36L-F3181-50	.BOLT, HEXAGON SOCKET HEAD	1	1L1.02.03.04	
36	36L-F3111-00	.BOLT, CAP	1	130.02.05.07	
37	36L-F3114-00	.O-RING	1	130.02.05.06	
38	36L-F3168-00	.CAP, FRONT FORK	1	130.02.05.08	
39	36L-F3119-00	.PLUG, DRAIN	1	1L1.02.03.06	
40	36L-F3129-00	.GASKET, DRAIN PLUG	1	130.02.05.01	
41	36L-F3340-K0	UNDER BRACKET COMP.	1	1L1.02.20.00	
42	36L-F3131-00	COVER, UPPER (R)	1	1L1.02.14.00	
43	36L-F3121-00	COVER, UPPER (L)	1	1L1.02.13.00	
44	36L-F3132-00	COVER, OUTER (R)	1	1L1.02.12.00	
45	36L-F3122-00	COVER, OUTER (L)	1	1L1.02.11.00	
46	36L-F3346-01	BOLT 1	2	1L1.02.02.01	
47	36L-F3318-40	HOLDER, CABLE 1	1	1L1.02.02.02	



4TL1470-6210

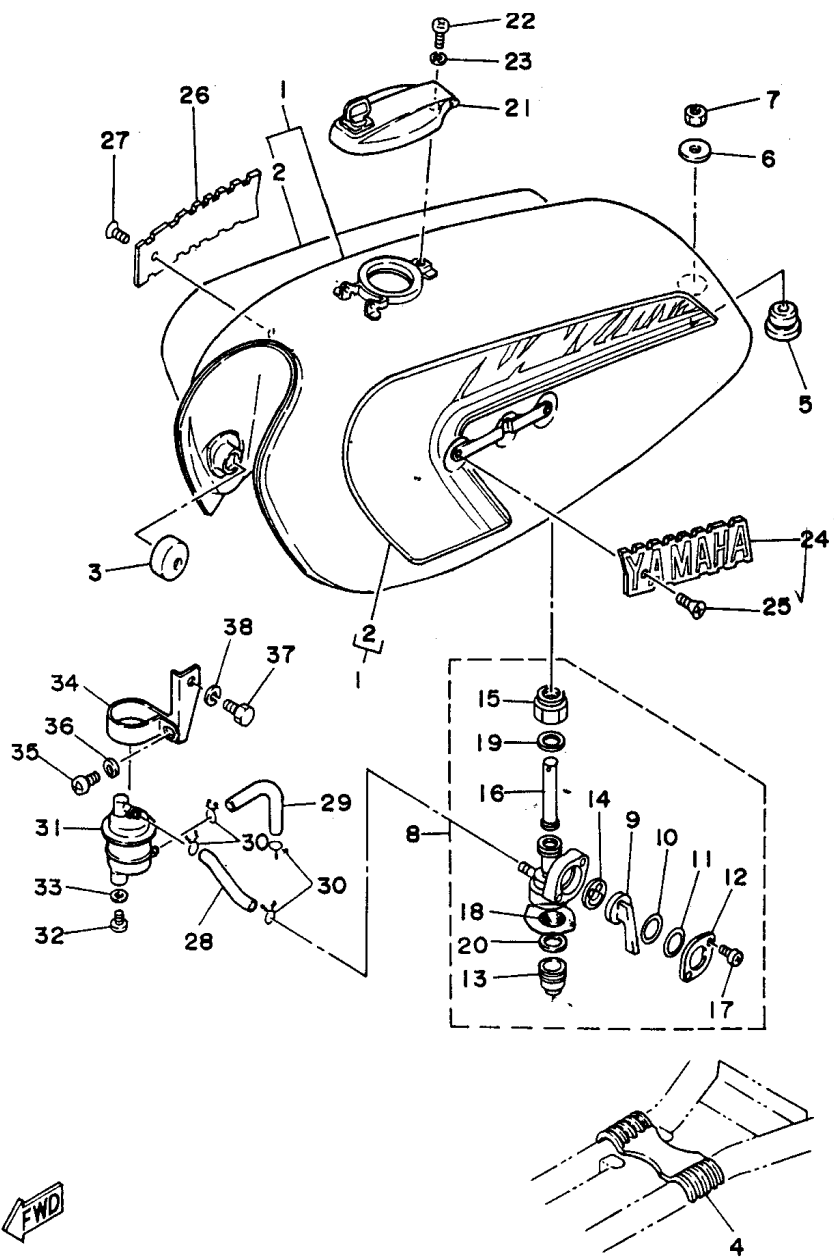


FIG. 21 FUEL TANK

REF.	PART NO.	DESCRIPTION	QTY	(ESCORTS NO.)	REMARKS
1	36L-F4100-00-H6	FUEL TANK COMP.	1	1L1.07.01.00	FOR M. MAROON FOR BLACK GOLD FOR C. SILVER FOR M. MAROON
	36L-F4100-00-H9	FUEL TANK COMP.	1	1L1.07.01.00	
	36L-F4100-00-20	FUEL TANK COMP.	1	1L1.07.01.00	
2	36L-F4240-00	.GRAPHIC SET	1	1L1.07.01.01	
3	36L-F4181-00	DAMPER, LOCATING 1	2	1L1.07.00.01	
4	36L-F4182-00	DAMPER, LOCATING 2	1	1L1.07.00.02	
5	90480-25189	GROMMET	1	1L1.07.00.03	
6	90201-08612	WASHER, PLATE	1	1L1.07.00.04	
7	95337-08600	NUT	1	00.041.09	
8	36L-F4500-01	FUEL COCK ASSY 1	1	1L1.07.12.00	
9	36L-F4524-00	.LEVER, FUEL COCK	1	1L1.07.12.02	
10	36L-F4576-00	.WASHER, SPECIAL	1	1L1.07.12.08	
11	36L-F4518-00	.WAVE, WASHER	1	1L1.07.12.07	
12	36L-F4525-00	.COVER, PLATE	1	1L1.07.12.09	
13	36L-F4521-00	.CUP	1	1L1.07.12.03	
14	36L-F4523-00	.VALVE	1	1L1.07.12.04	
15	36L-F4531-00	.NUT	1	1L1.07.04.08	
16	36L-F4560-00	.FILTER ASSY	1	1L1.07.13.00	
17	36L-F4535-00	.SCREW, PAN HEAD	2	00.342.06	
18	36L-F4515-00	.FILTER 2	1	1L1.07.12.05	
19	36L-F4532-V0	.GASKET	1	1L1.07.04.09	
20	36L-F4522-V0	.GASKET	1	1L1.07.12.06	
21	36L-F4650-V1	CAP ASSY	1	1A1.07.05.00	
22	97607-05208	SCREW, PAN HEAD	1	00.327.07	
23	92907-05600	WASHER, PLATE	1	00.051.05	
24	36L-F4161-10	EMBLEM 1	1	1L1.07.00.05	
25	90152-04006	SCREW, COUNTERSUNK	2	1L1.07.00.10	
26	36L-F4162-10	EMBLEM 2	1	1L1.07.00.06	

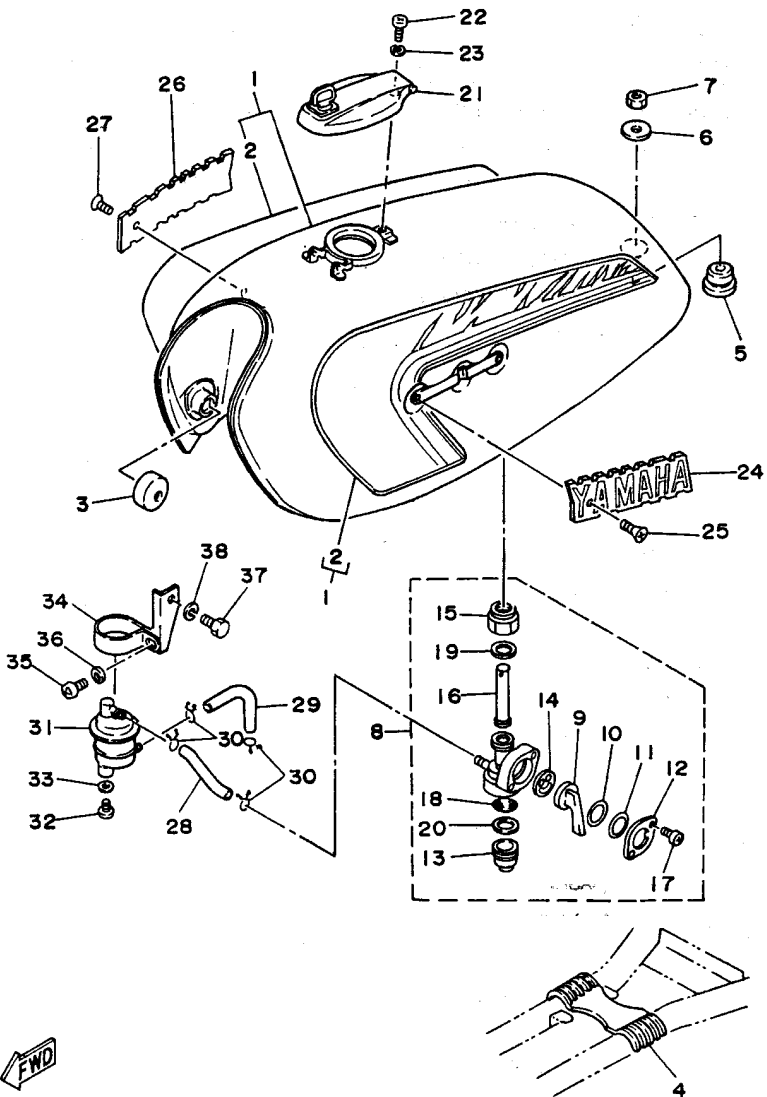


FIG. 21 FUEL TANK

REF.	PART NO.	DESCRIPTION	QTY (ESCORTS NO.)	REMARKS
27	90152-04006	SCREW, COUNTERSUNK	2 1L1.07.00.10	
28	90445-09264	HOSE	1 1L1.07.00.07	
29	90445-09059	HOSE	1 1L1.07.00.17	
30	90467-08003	CLIP	4 1A1.23.00.04	
31	36L-F4560-01	FILTER ASSY	1 1L1.07.08.00	
32	98907-05010	SCREW, BIND	1 00.327.08	
33	90202-04801	WASHER, PLATE	1 1L1.07.00.09	
34	2YA-F4568-00	BAND, FILTER	1 1L1.07.09.00	
35	98507-05010	SCREW, PAN HEAD	1 02.327.08	
36	92907-05600	WASHER, PLATE	1 00.064.06	
37	97027-06012	BOLT	1 00.022.05	
38	92907-06600	WASHER, SPRING	1 00.091.05	

4TLI470-6210

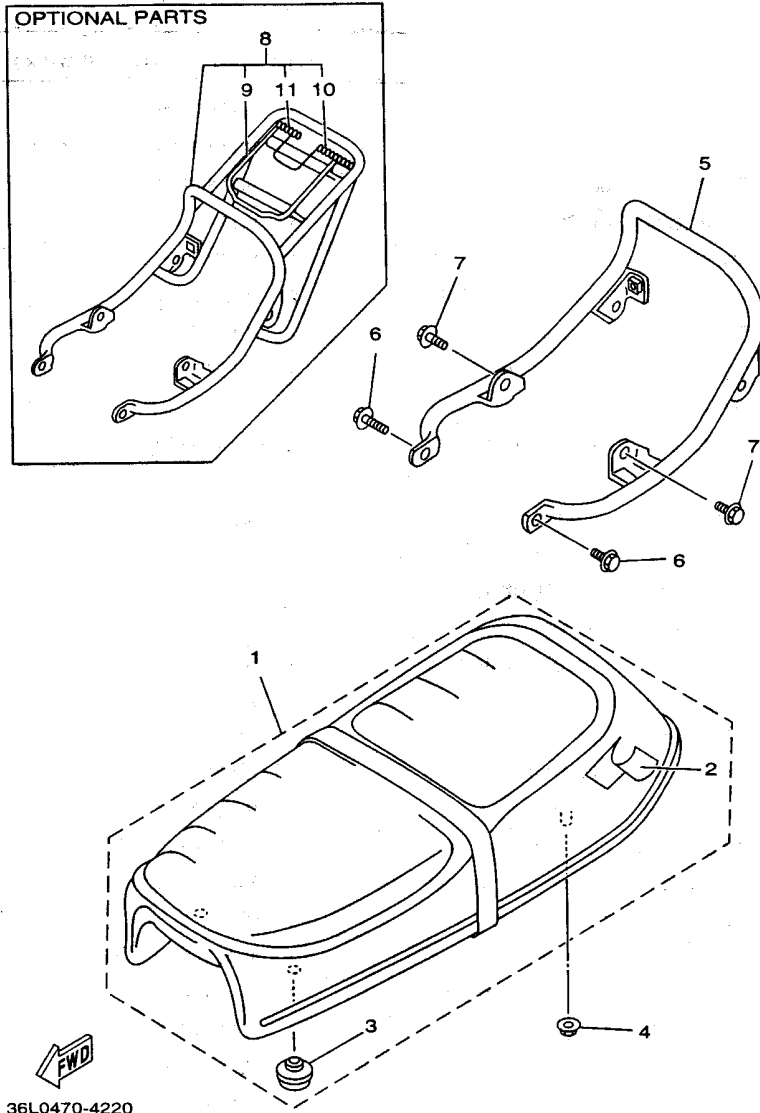
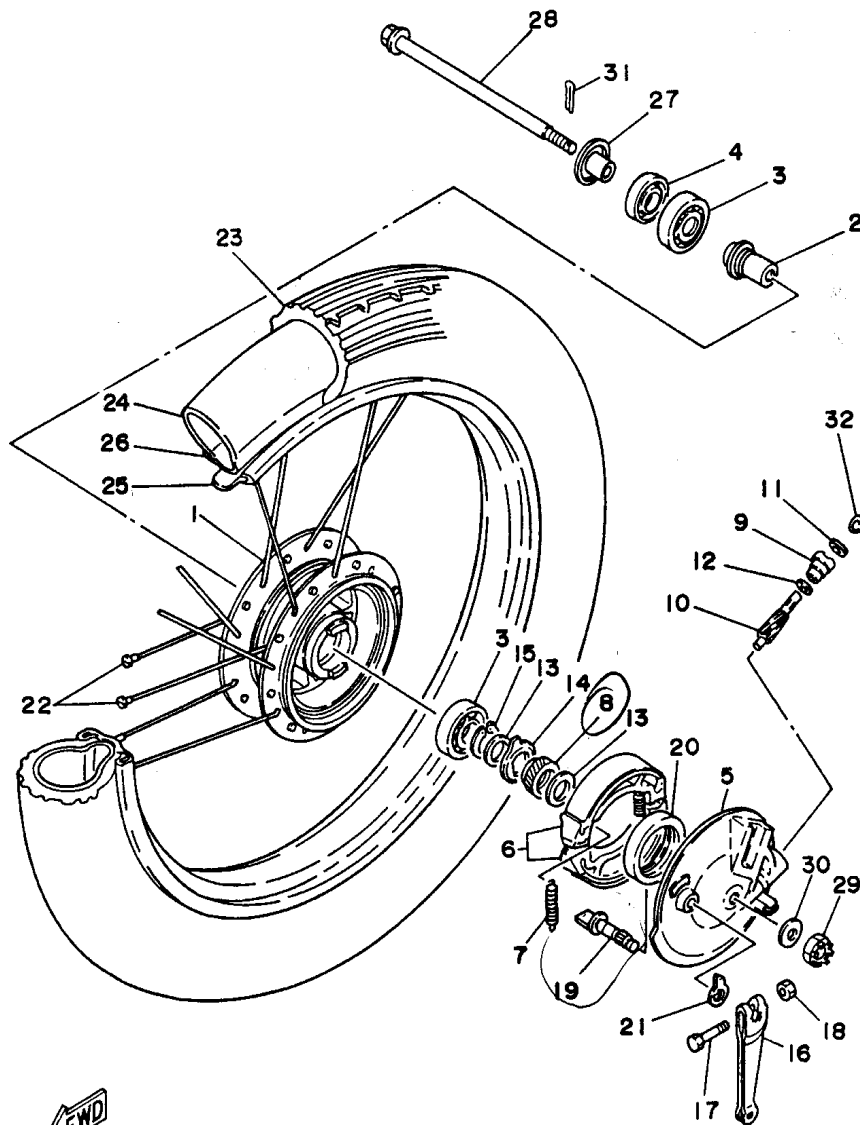


FIG. 22 SEAT

REF.	PART NO.	DESCRIPTION	Q'TY (ESCORTS NO.)	REMARKS	
1	36L-F4730-10	DOUBLE SEAT ASSY	1	1L1.12.01.00	
2	36L-F4731-00	.COVER, SEAT	1	1L1.12.03.00	
3	36L-F4741-00	.PAD, SEAT	4	1L1.12.01.06	
4	95707-08500	NUT, FLANGE	2	1L1.01.00.06	
5	36L-F474A-00	ASSIST, GRIP	1	1L1.18.03.00	
6	95817-06012	BOLT, FLANGE	2	00.026.05	
7	95817-08012	BOLT, FLANGE	2	00.026.06	
8	36L-F4831-90	SUB CARRIER	1	1L1.18.01.00	OPTION
9	36L-F4847-90	.LUGGAGE HOLDER	1	1L1.18.01.01	OPTION
10	36L-F4393-00	.SPRING LUGGAGE (L)	1	1L1.18.01.02	OPTION
11	36L-F4393-10	.SPRING LUGGAGE (R)	1	1L1.18.01.03	OPTION



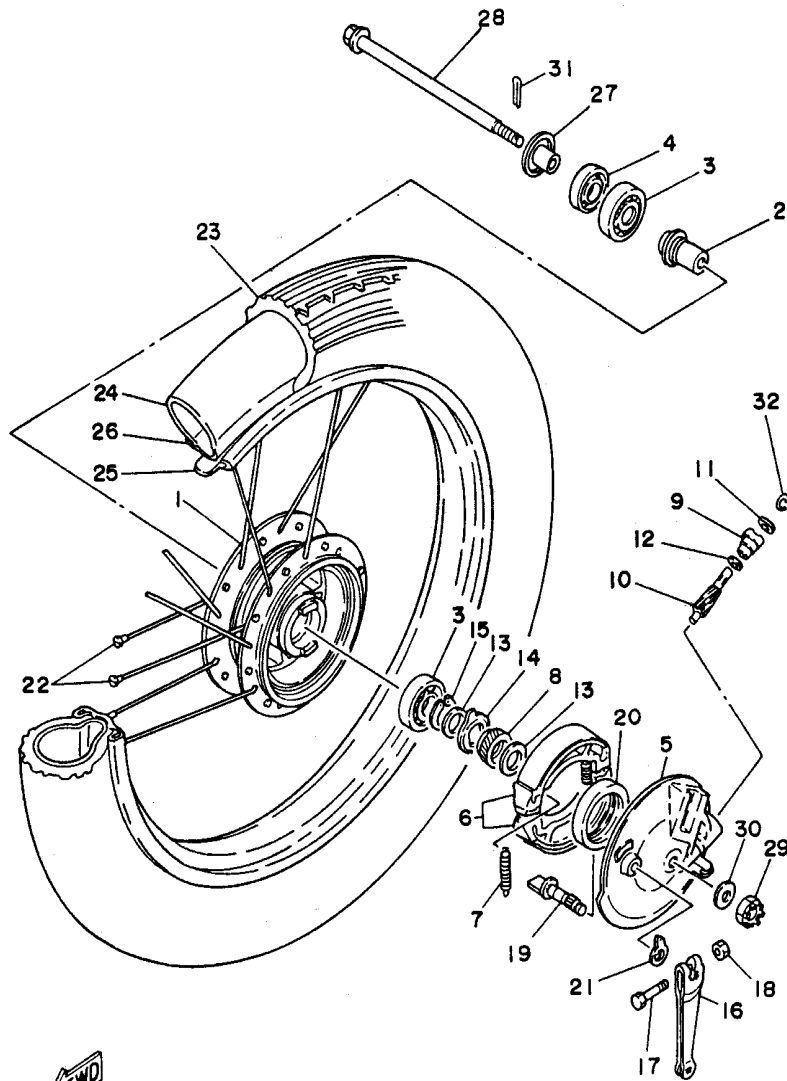
FWD

4TL1470-6230

FIG. 23 FRONT WHEEL

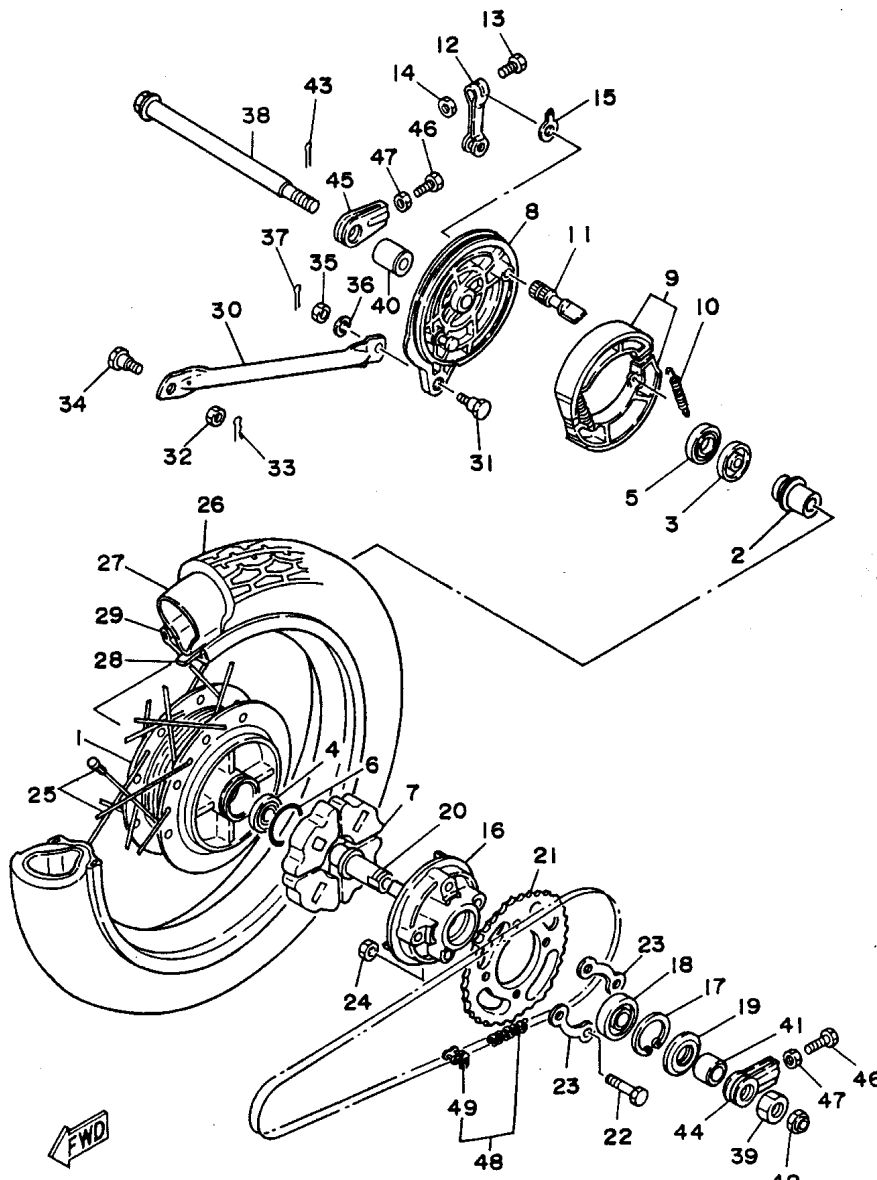
REF.	PART NO.	DESCRIPTION	QTY (ESCORTS NO.)	REMARKS
1	36L-F5111-10	HUB, FRONT	1	1L1.04.02.00
2	36L-WF512-00	SPACER ASSY	1	1L1.04.03.00
3	93306-301Y3	BEARING	2	1L1.04.01.02
4	93102-18802	OIL SEAL	1	1L1.04.01.01
5	36L-F5121-10	PLATE, BRAKE SHOE	1	1L1.04.05.00
6	36L-WF536-00	BRAKE SHOE COMP.	2	1L1.66.25.00
7	90506-17328	SPRING, TENSION	2	1L1.05.04.04
8	36L-F5135-00	GEAR, DRIVE	1	1L1.04.07.00
9	36L-F5136-00	BUSH	1	1L1.04.04.02
10	36L-F5138-00	GEAR, METER	1	1L1.04.08.00
11	93104-07804	OIL SEAL	1	00.141.16
12	90201-07076	WASHER, PLATE	1	1L1.04.04.04
13	90201-20269	WASHER, PLATE	2	1L1.04.04.05
14	36L-F5149-00	CLUTCH, METER	1	1L1.04.04.06
15	93410-20808	CIRCLIP	1	00.162.01
16	36L-F5155-00	LEVER, CAMSHAFT 1	1	1L1.04.04.07
17	90101-06278	BOLT	1	00.022.55
18	95317-06600	NUT	1	00.041.07
19	36L-F5351-00	CAMSHAFT	1	1L1.05.04.01
20	93105-47801	OIL SEAL	1	1L1.04.04.08
21	36L-F513A-00	PLATE, INDICATOR	1	1L1.04.04.09
22	36L-F5304-01	SPOKE SET WITH NIPPLES	1	1L1.66.24.00
23	94125-18838	TIRE (2.50-18)	1	00.351.05
24	94225-18823	TUBE (2.50-18)	1	00.361.06
25	94325-18822	BAND, RIM (2.50-18)	1	1L1.05.00.11
26	94414-18832	RIM (1.40-18)	1	1L1.05.00.13
27	36L-WF518-00	COVER ASSY	1	1L1.04.06.00
28	36L-F5181-00	AXLE, WHEEL	1	1L1.04.00.01

FIG. 23 FRONT WHEEL



REF.	PART NO.	DESCRIPTION	Q'TY (ESCORTS NO.)	REMARKS
29	90171-10004	NUT, CASTLE	1 1L1.04.00.02	
30	92907-10200	WASHER, PLAIN	1 00.061.13	
31	91490-20025	PIN, COTTER	1 00.091.17	
32	36L-F5137-00	RING, STOP	1 1L1.04.00.03	

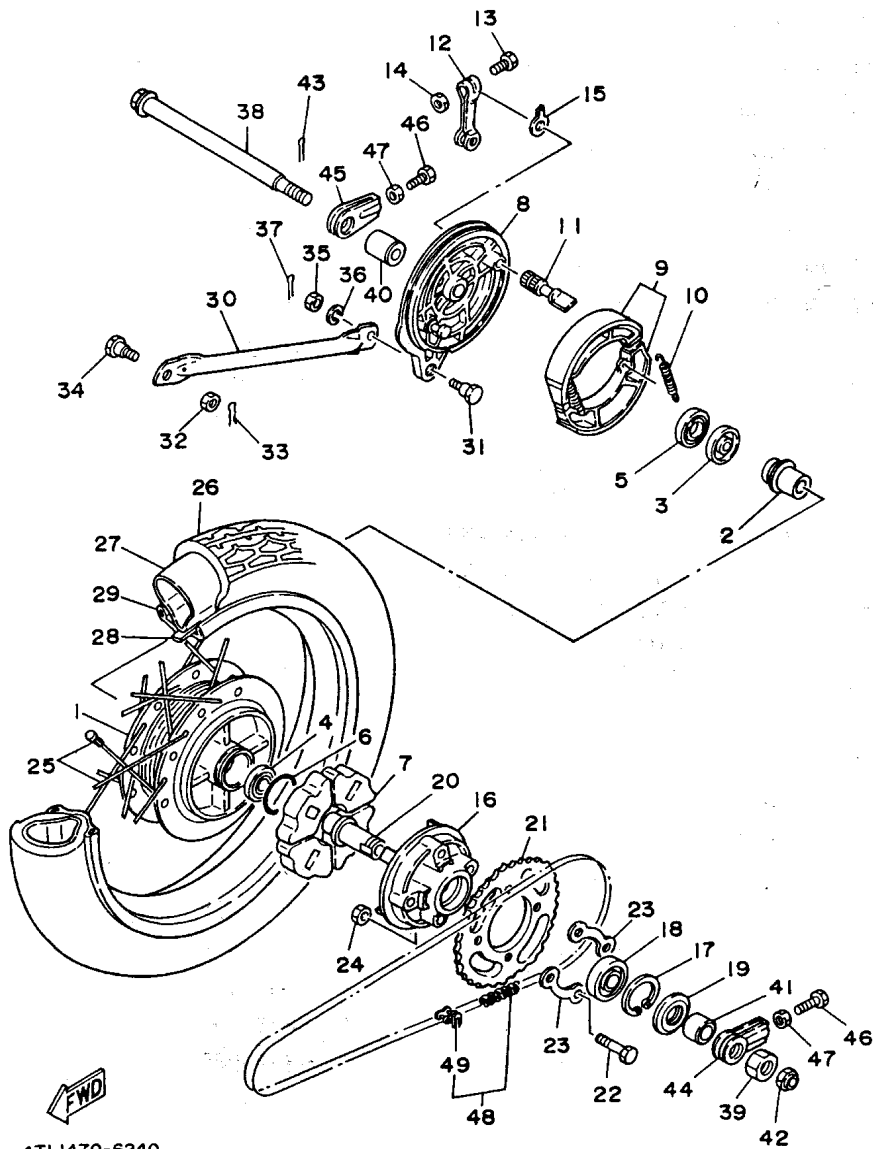

4TL1470-6230



4TL1470-6240

FIG. 24 REAR WHEEL

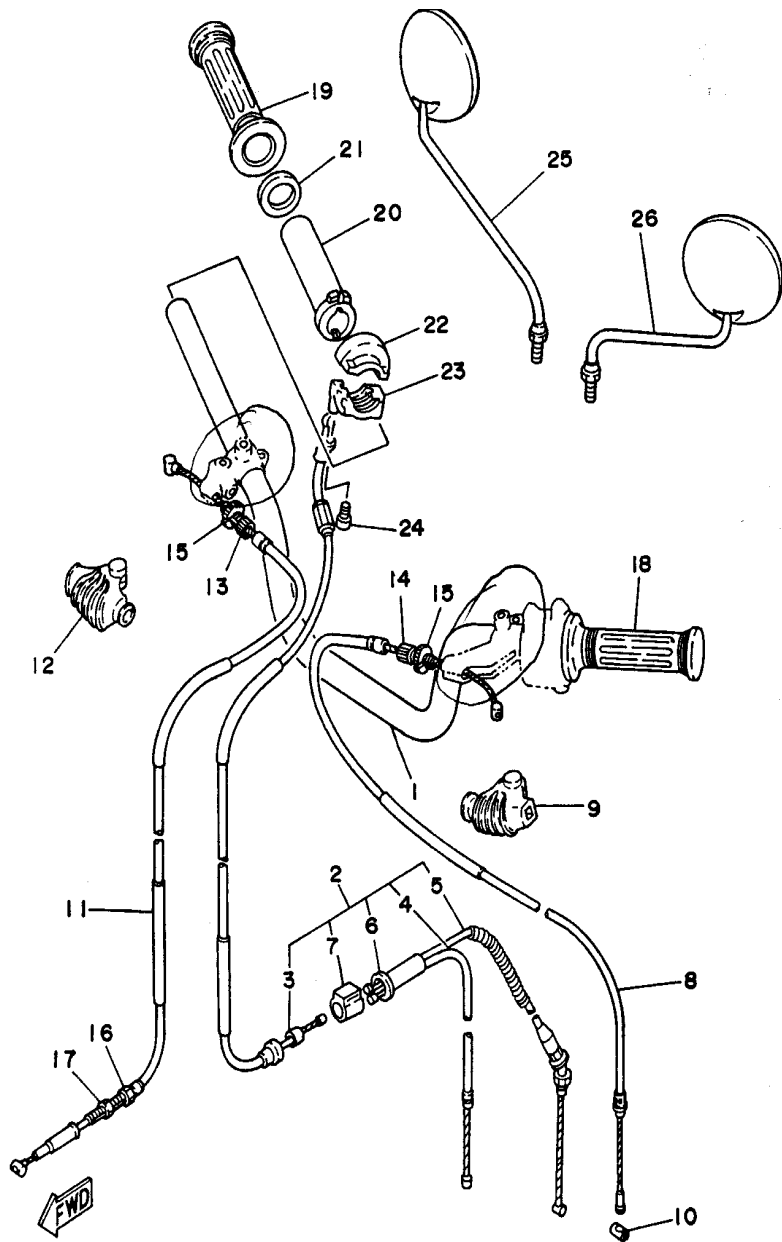
REF.	PART NO.	DESCRIPTION	QTY (ESCORTS NO.)	REMARKS
1	36L-F5311-10	HUB, REAR	1	1L1.05.02.00
2	36L-WF512-10	SPACER ASSY 2	1	1L1.05.03.00
3	93306-202Y0	BEARING	1	00.131.01
4	93306-202Y1	BEARING	1	00.134.01
5	93104-22805	OIL SEAL	1	1L1.05.01.01
6	93210-42807	O-RING	1	1L1.05.01.03
7	36L-F5364-00	DAMPER	4	1L1.05.01.02
8	36L-F5321-10	PLATE, BRAKE SHOE	1	1L1.05.05.00
9	36L-WF536-00	BRAKE SHOE COMP.	2	1L1.66.25.00
10	90506-17328	SPRING, TENSION	2	1L1.05.04.04
11	36L-F5351-00	CAMSHAFT	1	1L1.05.04.01
12	36L-F5355-00	LEVER, CAMSHAFT	1	1L1.05.04.02
13	90101-06278	BOLT	1	00.022.55
14	95317-06600	NUT	1	00.041.07
15	36L-F533A-00	PLATE, INDICATOR	1	1L1.05.04.03
16	36L-F5366-10	CLUTCH, HUB	1	1L1.05.09.01
17	93420-42801	CIRCLIP	1	00.161.06
18	93306-004Y0	BEARING	1	00.134.02
19	93106-26801	OIL SEAL	1	1L1.05.09.04
20	36L-F5387-01	AXLE, SPROCKET	1	1L1.05.09.03
21	36L-F5439-00	SPROCKET, DRIVEN (39T)	1	1L1.05.09.02
22	90109-08361	BOLT	4	1L1.05.09.06
23	36L-F5412-00	WASHER	2	1L1.05.09.05
24	90179-08639	NUT	4	1L1.05.09.07
25	36L-F5304-01	SPOKE SET WITH NIPPLES	1	1L1.66.24.00
26	94127-18839	TIRE (2.75-18)	1	00.351.06
27	94227-18824	TUBE (2.75-18)	1	00.361.06
28	94325-18822	BAND, RIM (2.50-18)	1	1L1.05.00.11



4TLI470-6240

FIG. 24 REAR WHEEL

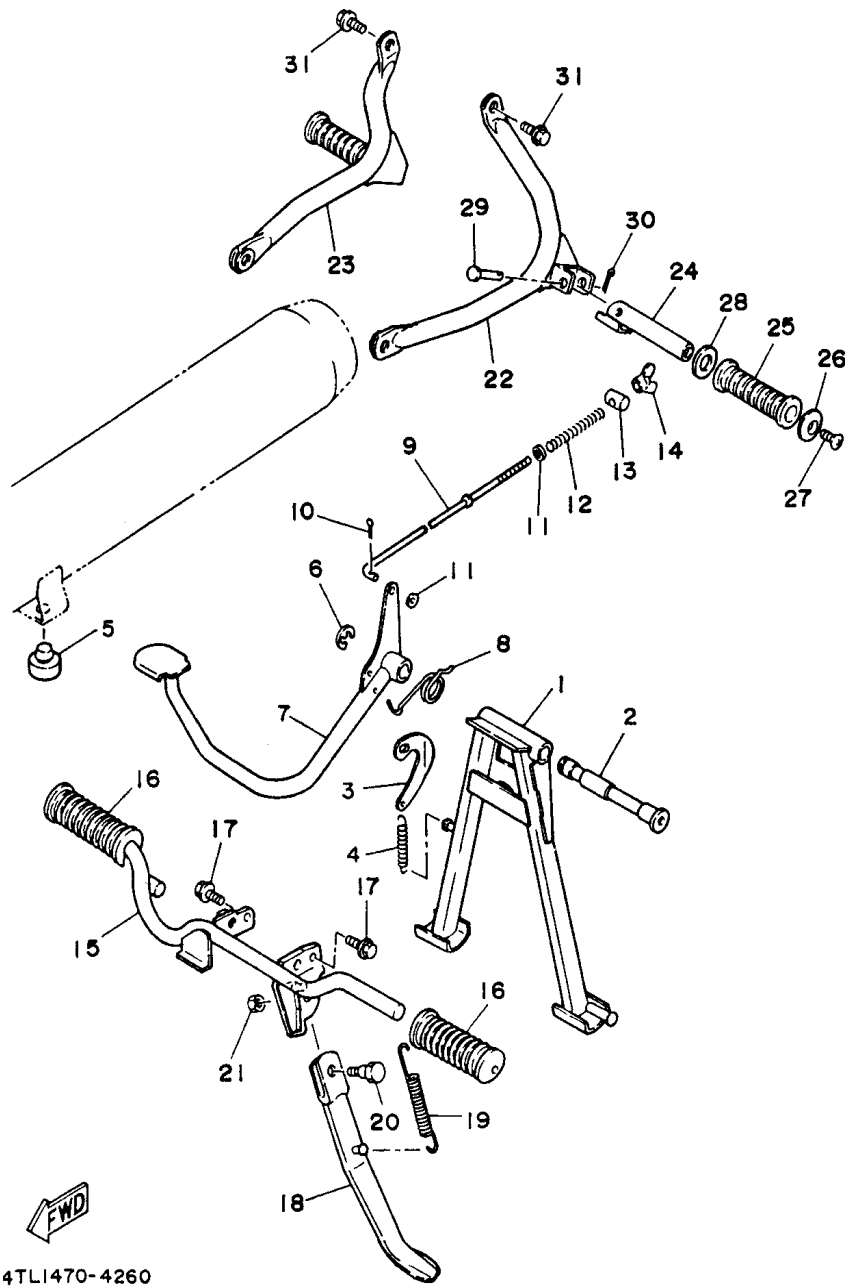
REF.	PART NO.	DESCRIPTION	QTY (ESCORTS NO.)	REMARKS
29	94414-18832	RIM (1.40-18)	1	1L1.05.00.13
30	36L-F5371-00	BAR, TENSION	1	1L1.05.00.04
31	90109-08063	BOLT	1	1L1.05.00.08
32	95337-08600	NUT	1	00.041.09
33	90468-10050	CLIP	1	1L1.05.00.10
34	90109-08368	BOLT	1	1L1.05.00.09
35	95317-08700	NUT	1	00.042.09
36	92907-08100	WASHER, SPRING	2	00.051.06
37	91401-20015	PIN, COTTER	1	00.091.03
38	36L-F5381-01	AXLE, WHEEL	1	1L1.05.00.01
39	90170-20167	NUT	1	1L1.05.00.06
40	90387-15425	COLLAR	1	1L1.05.00.02
41	90387-20165	COLLAR	1	1L1.05.00.05
42	90171-14056	NUT, CASTLE	1	1L1.05.00.07
43	91490-30030	PIN, COTTER	1	00.091.14
44	36L-F5388-00	PULLER, CHAIN 1	1	1L1.05.10.00
45	36L-F5389-00	PULLER, CHAIN 2	1	1L1.05.11.00
46	90153-08011	SCREW, HEXAGON	2	1A1.05.00.12
47	95317-08700	NUT	2	00.041.09
48	94508-04110	CHAIN	1	1L1.05.12.00
49	94608-04001	JOINT, CHAIN	1	1L1.05.14.00



4TL1470-6250

FIG. 25 STEERING HANDLE CABLE

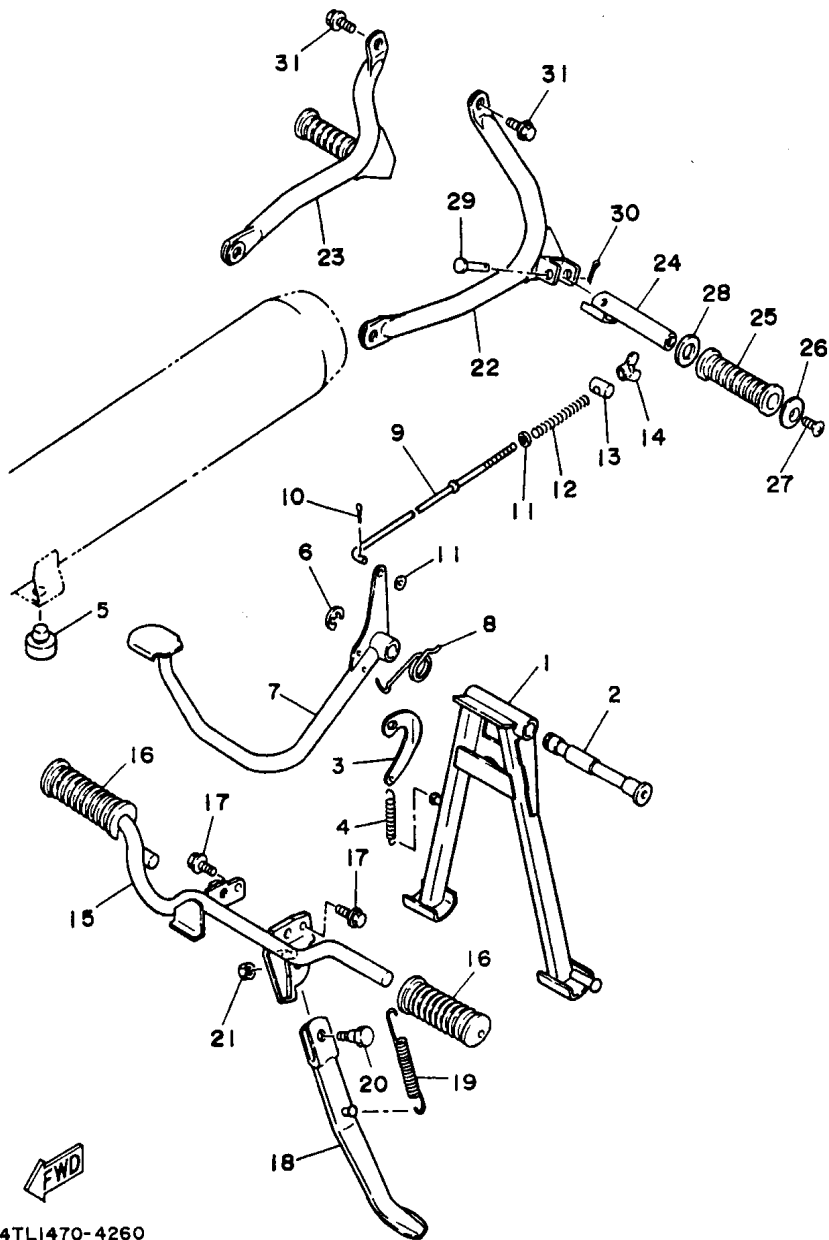
REF.	PART NO.	DESCRIPTION	QTY (ESCORTS NO.)	REMARKS
1	36L-F6110-00	HANDLE COMP.	1	1L1.19.01.00
2	36L-F6260-00	WIRE CYLINDER ASSY	1	1L1.19.02.00
3	36L-F6311-00	.CABLE, THROTTLE 1	1	1L1.19.03.00
4	36L-F6312-00	.CABLE, THROTTLE 2	1	1L1.19.05.00
5	36L-F6321-00	.CABLE, PUMP	1	1L1.19.06.00
6	36L-F6261-00	.CONNECTOR, CABLE	1	1L1.19.02.01
7	36L-F6268-00	.HOLDER, CABLE CONNECTOR	1	1L1.19.02.02
8	36L-F6335-00	CABLE, CLUTCH	1	1L1.19.07.00
9	36L-F6372-00	COVER, HANDLE LEVER 1	1	1L1.19.00.01
10	36L-F6363-10	END, CABLE	1	1L1.19.00.10
11	36L-F6341-00	CABLE, BRAKE	1	1L1.19.09.00
12	36L-F6372-00	COVER, HANDLE LEVER 1	1	1L1.19.00.01
13	90123-08013	BOLT	1	1L1.19.00.02
14	90123-08046	BOLT	1	1L1.19.00.03
15	90179-08148	NUT	2	1L1.19.00.04
16	90123-06010	BOLT	1	1L1.19.00.05
17	90179-06143	NUT	1	1L1.19.00.06
18	36L-F6241-00	GRIP (LEFT)	1	1L1.19.00.07
19	36L-F6242-00	GRIP (RIGHT)	1	1L1.19.08.03
20	36L-F6243-00	TUBE, THROTTLE GUIDE	1	1L1.19.08.01
21	36L-F6249-00	RING, LEAF	1	1L1.19.08.02
22	36L-F6281-00	CAP, GRIP UPPER	1	1L1.19.16.00
23	36L-F6282-00	CAP, GRIP LOWER	1	1L1.19.00.11
24	98586-05016	SCREW, PAN HEAD	2	00.342.18
25	36L-F6290-00	REAR VIEW MIRROR (R)	1	1L1.19.11.00
26	36L-F6290-10	REAR VIEW MIRROR (L)	1	1L1.19.10.00



4TL1470-4260

FIG. 26 STAND, FOOTREST

REF.	PART NO.	DESCRIPTION	QTY (ESCORTS NO.)	REMARKS
1	36L-F7111-00	STAND, MAIN	1 1L1.20.01.00	
2	36L-F7112-00	SHAFT, MAIN STAND	1 1L1.20.00.01	
3	36L-F7115-00	LINK, MAIN STAND	1 1L1.20.00.02	
4	90506-29054	SPRING, TENSION	1 1L1.20.00.03	
5	36L-F7114-00	STOPPER, MAIN STAND	1 1L1.20.00.04	
6	93430-12809	CIRCLIP	1 00.163.15	
7	36L-F7211-01	PEDAL, BRAKE	1 1L1.17.01.00	
8	90508-32056	SPRING, TORSION	1 1L1.17.00.02	
9	36L-F7231-00	ROD, BRAKE	1 1L1.17.00.01	
10	91401-20015	PIN, COTTER	1 00.091.03	
11	92907-06600	WASHER, PLATE	2 00.061.05	
12	90501-10245	SPRING, COMPRESSION	1 1L1.17.00.03	
13	90249-12008	PIN	1 1A1.17.00.02	
14	90175-06013	NUT, WING	1 1L1.17.00.04	
15	36L-F7411-00	FOOTREST 1	1 1L1.11.01.00	
16	36L-F7413-00	COVER, FOOTREST	2 1L1.11.00.01	
17	95817-08020	BOLT, FLANGE	2 00.026.07	
18	36L-F7311-00	STAND, SIDE	1 1L1.33.01.00	
19	90506-25047	SPRING, TENSION	1 1L1.33.00.01	
20	90109-08032	BOLT	1 1L1.33.00.02	
21	95317-08700	NUT	1 00.042.09	
22	36L-F7432-00	BRACKET 1	1 1L1.26.01.00	
23	36L-F7442-00	BRACKET 2	1 1L1.26.02.00	
24	36L-F7431-02	FOOTREST, REAR 1	2 1L1.26.03.00	
25	36L-F7433-02	COVER, REAR FOOTREST	2 1L1.26.00.04	
26	36L-F743E-00	STOPPER	2 1L1.26.00.02	
27	98707-06016	SCREW, FLAT HEAD	2 00.341.03	
28	90201-20279	WASHER, PLATE	2 1L1.26.00.03	



4TLI470-4260

FIG. 26 STAND FOOTREST

REF.	PART NO.	DESCRIPTION	QTY (ESCORTS NO.)	REMARKS
29	90240-06052	PIN, CLEVIS	2 1L1.26.00.01	
30	91490-16020	PIN, COTTER	2 00.091.18	
31	95817-08020	BOLT, FLANGE	2 00.026.07	

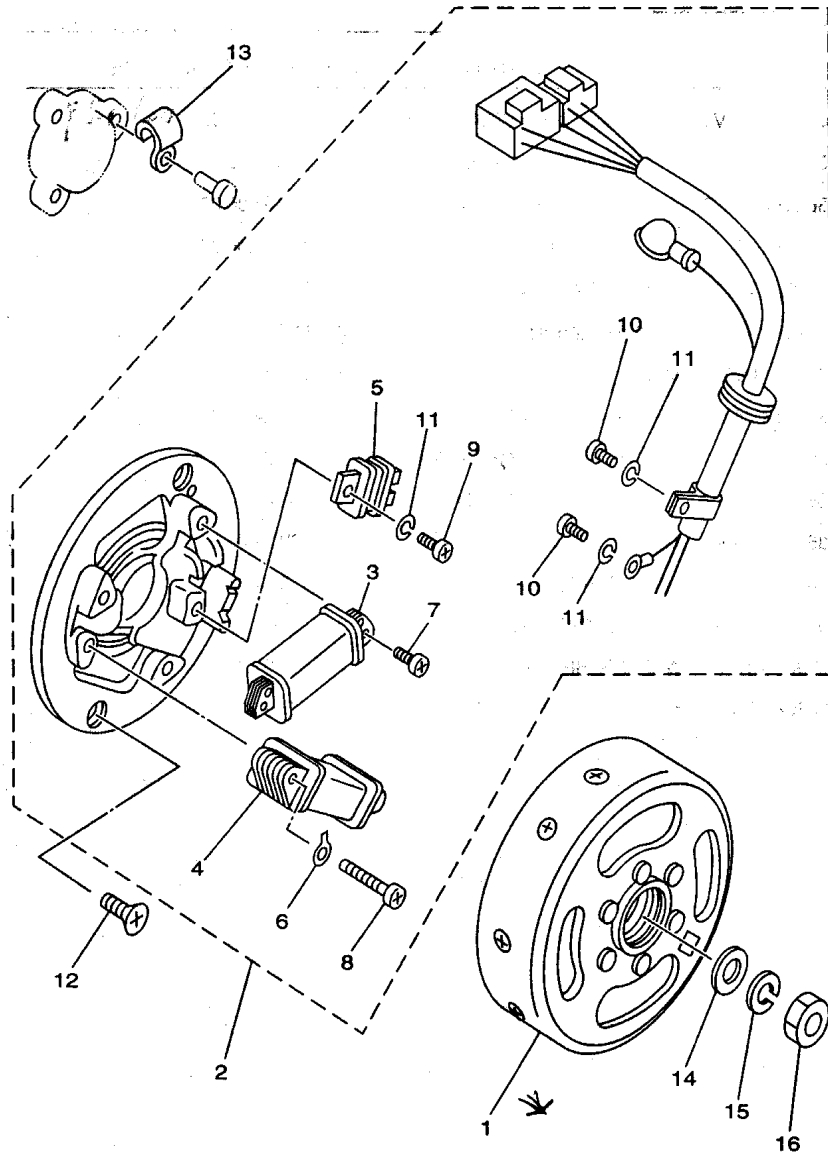


FIG. 27 GENERATOR

REF.	PART NO.	DESCRIPTION	QTY (ESCORTS NO.)	REMARKS
1	36L-H5550-00	ROTOR ASSY (SRF)	1	1L1.67.02.00
	36L-H5550-V0	ROTOR ASSY (MFIL)	1	1L1.62.02.00
2	36L-H5560-00	BASE ASSY (SRF)	1	1L1.67.03.00
	36L-H5560-V0	BASE ASSY (MFIL)	1	1L1.62.03.00
3	36L-H5520-00	.COIL, CHARGE (SRF)	1	1L1.67.04.00
	36L-H5520-V0	.COIL, CHARGE (MFIL)	1	1L1.62.04.00
4	36L-H1313-00	.COIL, LIGHTING (SRF)	1	1L1.67.06.00
	36L-H1313-V0	.COIL, LIGHTING (MFIL)	1	1L1.62.06.00
5	36L-H5580-00	.COIL, PULSER (SRF)	1	1L1.67.08.00
	36L-H5580-V0	.COIL, PULSER (MFIL)	1	1L1.62.08.00
6	36L-H5569-V0	.TERMINAL, EARTH 2	1	1L1.62.03.03
7	98517-04012	.SCREW, PAN HEAD	2	00.322.17
8	98517-04025	.SCREW, PAN HEAD	2	00.322.06
9	98580-04010	.SCREW, PAN HEAD	1	00.322.37
10	98507-04006	.SCREW, PAN HEAD	2	00.322.30
11	92901-04100	.WASHER, SPRING	3	00.051.02
12	98707-06014	SCREW, FLAT HEAD	2	00.343.02
13	90462-05012	CLAMP	1	1L1.62.00.01
14	90201-12535	WASHER, PLATE	1	1L1.62.00.02
15	92907-12100	WASHER	1	00.051.08
16	90170-12347	NUT	1	1L1.62.00.03



4TL1470-6270



36L470-4280

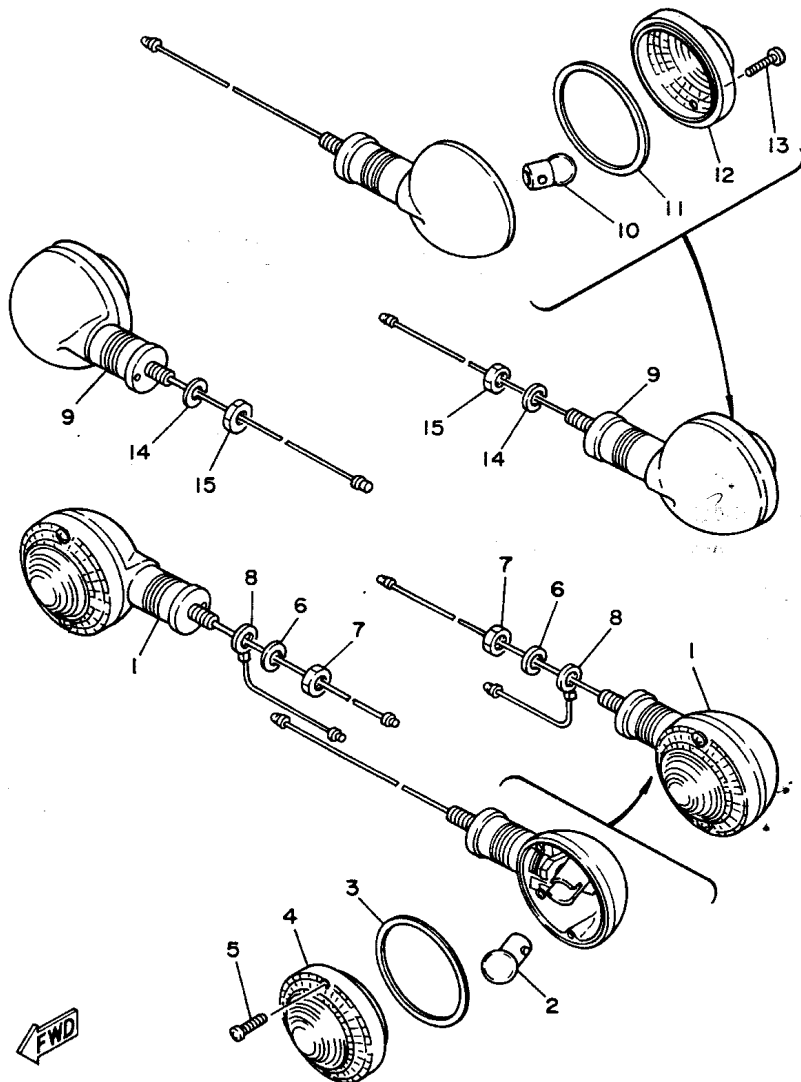
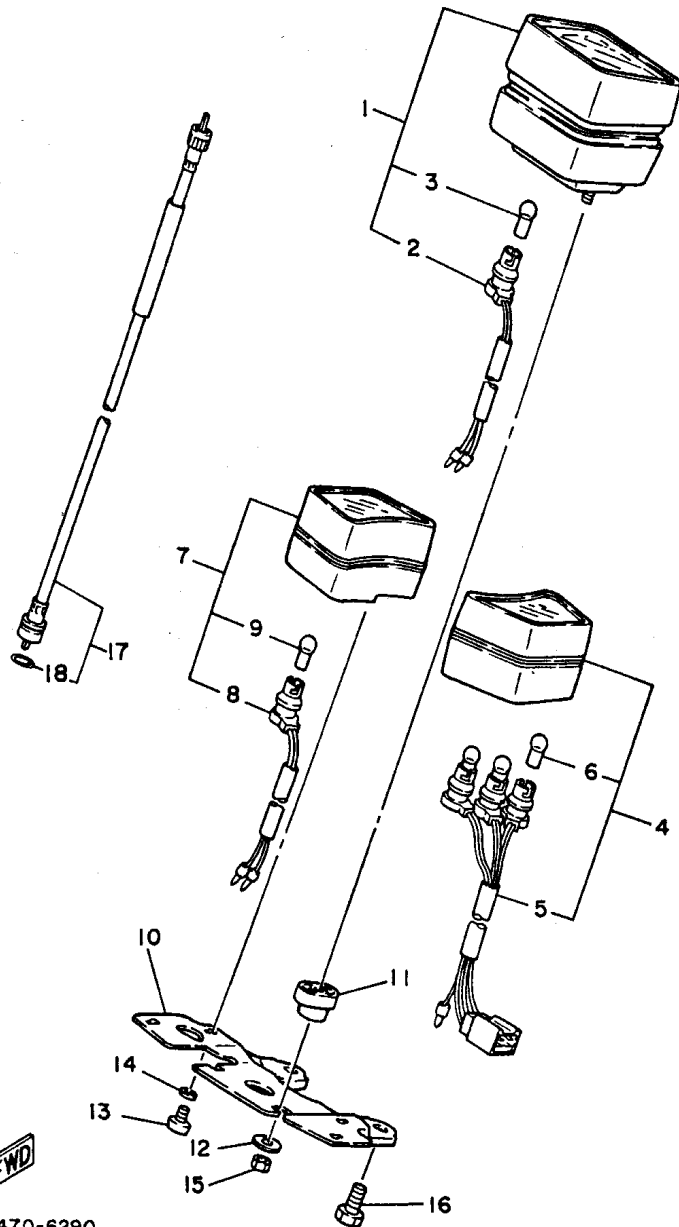


FIG. 28 FLASHER LIGHT

REF.	PART NO.	DESCRIPTION	QTY	(ESCORTS NO.)	REMARKS
1	36L-H3310-V0	FRONT FLASHER LIGHT ASSY 1	2	1L1.24.01.00	
2	36L-H3311-V0	.BULB, FLASHER (6V-10W)	1	00.181.40	
3	36L-H3313-V0	.GASKET, FLASHER LENS	1	120.31.06.03	
4	36L-H3312-V0	.LENS, FLASHER	1	120.31.06.02	
5	97706-30620	.SCREW, TAPPING	2	00.338.09	
6	92907-10100	WASHER, SPRING	2	00.051.07	
7	95307-10600	NUT	2	00.041.19	
8	36L-H3354-00	WIRE, EARTH LEAD 1	2	1L1.24.05.00	
9	36L-H3330-V0	REAR FLASHER LIGHT ASSY 1	2	1L1.24.07.00	
10	36L-H3311-V0	.BULB, FLASHER (6V-10W)	1	00.181.40	
11	36L-H3313-V0	.GASKET, FLASHER LENS	1	120.31.06.03	
12	36L-H3312-V0	.LENS, FLASHER	1	120.31.06.02	
13	97706-30620	.SCREW, TAPPING	2	00.338.09	
14	92907-10100	WASHER, SPRING	2	00.051.07	
15	95307-10600	NUT	2	00.041.19	

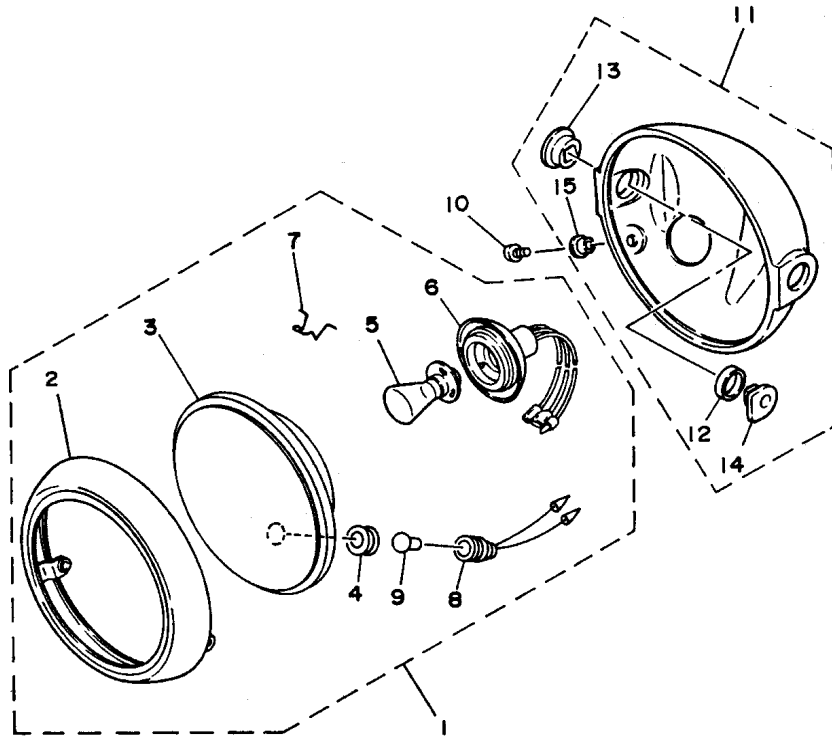
FIG. 29 METER



4TL1470-6290

REF.	PART NO.	DESCRIPTION	QTY	(ESCORTS NO.)	REMARKS
1	36L-H3510-V0	SPEEDOMETER ASSY	1	1L1.25.22.00	
2	36L-H3509-V0	.SOCKET CORD ASSY	1	1L1.25.09.00	
3	36L-H3516-V0	.BULB (6V-2W)	1	00.181.39	
4	36L-H3530-V0	PILOT LIGHT ASSY (L)	1	1L1.25.10.00	
5	36L-H3520-V0	.SOCKET CORD ASSY	1	1L1.25.19.00	
6	36L-H3516-V0	.BULB (6V-2W)	3	00.181.39	
7	36L-H3582-V0	PILOT LIGHT ASSY (R)	1	1L1.25.15.00	
8	36L-H355T-V0	.SOCKET CORD ASSY	1	1L1.25.14.00	
9	36L-H3516-V0	.BULB (6V-2W)	1	00.181.39	
10	36L-H3519-V0	BRACKET, METER	1	1L1.25.01.01	
11	36L-H3523-V0	DAMPER	2	1L1.25.01.02	
12	36L-H3524-00	WASHER, SPECIAL	2	1L1.25.01.03	
13	98507-04010	SCREW, PAN HEAD	4	01.327.05	
14	92907-04600	WASHER	4	00.051.02	
15	95307-05600	NUT	2	00.041.05	
16	97017-08016	BOLT	2	01.021.08	
17	36L-H3550-00	SPEEDOMETER CABLE ASSY	1	1L1.25.20.00	
18	93210-14806	.O-RING	1	1L1.25.20.01	

FIG. 30 HEADLIGHT

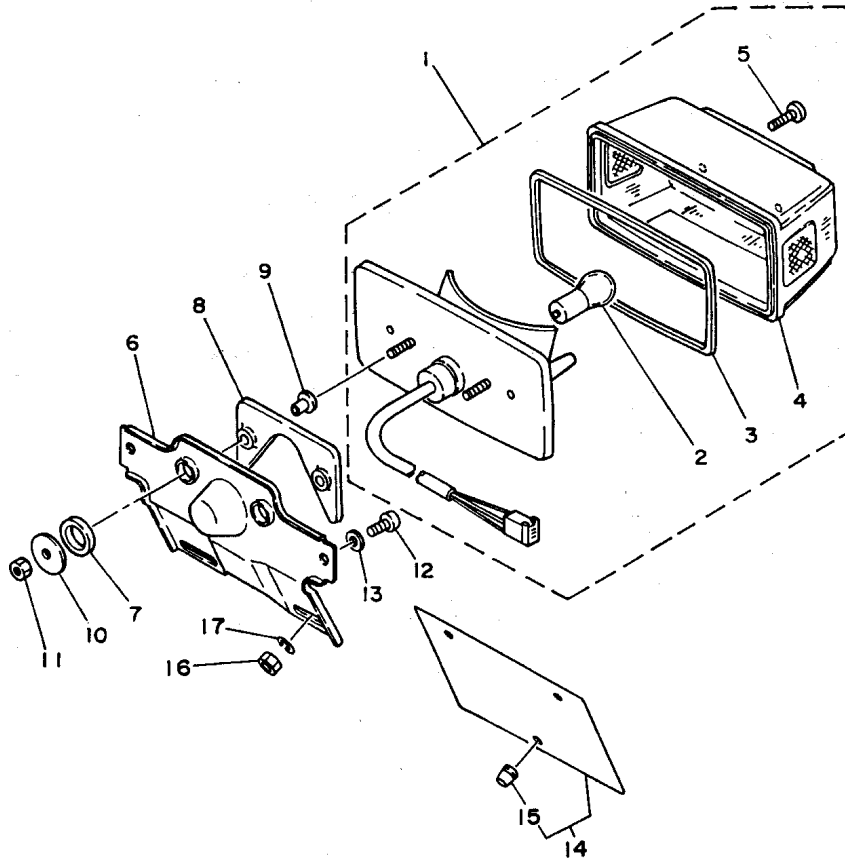


REF.	PART NO.	DESCRIPTION	Q'TY (ESCORTS NO.)	REMARKS
1	36L-H4310-V0	HEADLIGHT UNIT ASSY	1	1L1.28.05.00
2	36L-H4115-V0	.RIM, HEADLIGHT	1	1L1.28.04.00
3	36L-H4121-V0	.LENS, HEADLIGHT	1	1L1.28.06.00
4	36L-H4154-V0	.GROMMET	1	1A1.28.01.01
5	36L-H4114-V0	.BULB, HEADLIGHT	1	00.181.41
6	36L-H4140-V0	.SOCKET CORD ASSY	1	1L1.28.07.00
7	36L-H4124-V0	.SPRING, SET	3	1L1.28.03.01
8	36L-H4150-V0	.SOCKET CORD ASSY 2	1	1L1.28.08.00
9	36L-H4147-V0	.BULB, PILOT LIGHT	1	00.181.42
10	98517-05012	SCREW, PAN HEAD	2	01.342.16
11	36L-H4130-V0	BODY ASSY, HEADLIGHT	1	1L1.28.02.00
12	36L-H4163-V0	.DAMPER	2	1L1.28.02.02
13	36L-H4164-V0	.DAMPER	2	1L1.28.02.03
14	36L-H4145-V0	.COLLAR, BODY FITTING	2	1L1.28.02.04
15	36L-H4127-V0	.WASHER, SPECIAL	2	1L1.28.02.05



4TL1470-6300

FIG. 31 TAILLIGHT



REF.	PART NO.	DESCRIPTION	QTY	(ESCORTS NO.)	REMARKS
1	36L-H4710-V0	TAILLIGHT UNIT ASSY	1	1L1.29.02.00	
2	36L-H4514-V0	.BULB (6V-5/21W)	1	00.181.23	
3	36L-H4523-V0	.GASKET, LENS	1	1L1.29.02.01	
4	36L-H4521-V0	.LENS, TAILLIGHT	1	1L1.29.03.00	
5	97780-40120	.SCREW, TAPPING	1	00.338.15	
6	36L-H4551-V0	BRACKET, LICENCE	1	1L1.29.01.01	
7	36L-H4553-V0	DAMPER	2	1L1.29.01.02	
8	36L-H4542-V0	SEAT, BASE	1	1L1.29.01.03	
9	36L-H4557-V0	COLLAR	2	1L1.29.01.04	
10	36L-H4554-V0	WASHER, SPECIAL	2	1L1.29.00.01	
11	95317-06600	NUT	2	00.041.07	
12	98517-06012	SCREW, PAN HEAD	2	00.342.22	
13	90201-065F3	WASHER, PLATE	2	1L1.29.00.01	
14	36L-H2588-00	PLATE	1	137.29.00.01	
15	36L-F8378-00	.PAD	2	131.01.00.03	
16	95317-06600	NUT	2	00.044.12	
17	92907-06100	WASHER, SPRING	2	00.051.05	



4TLI470-6310

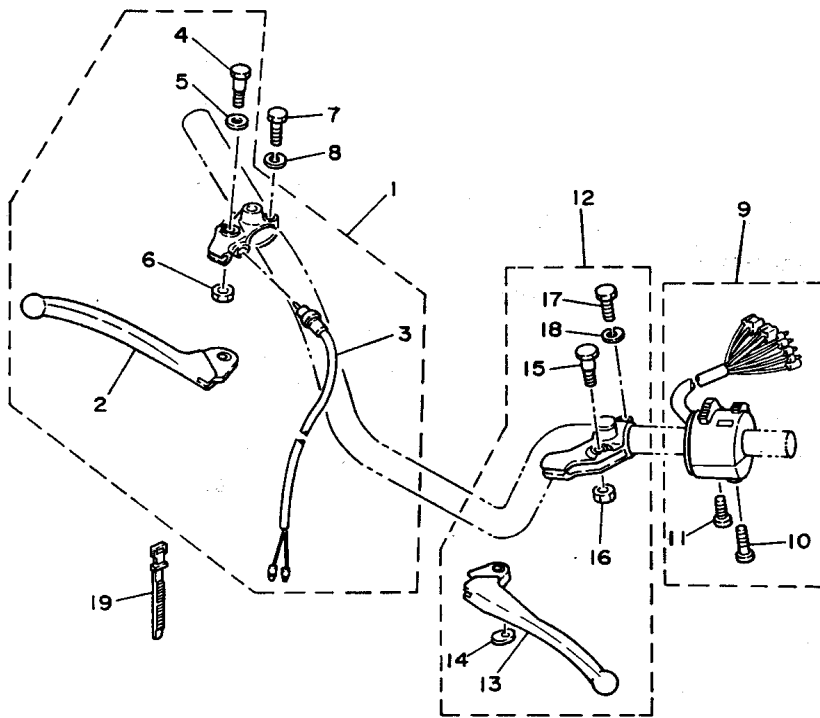


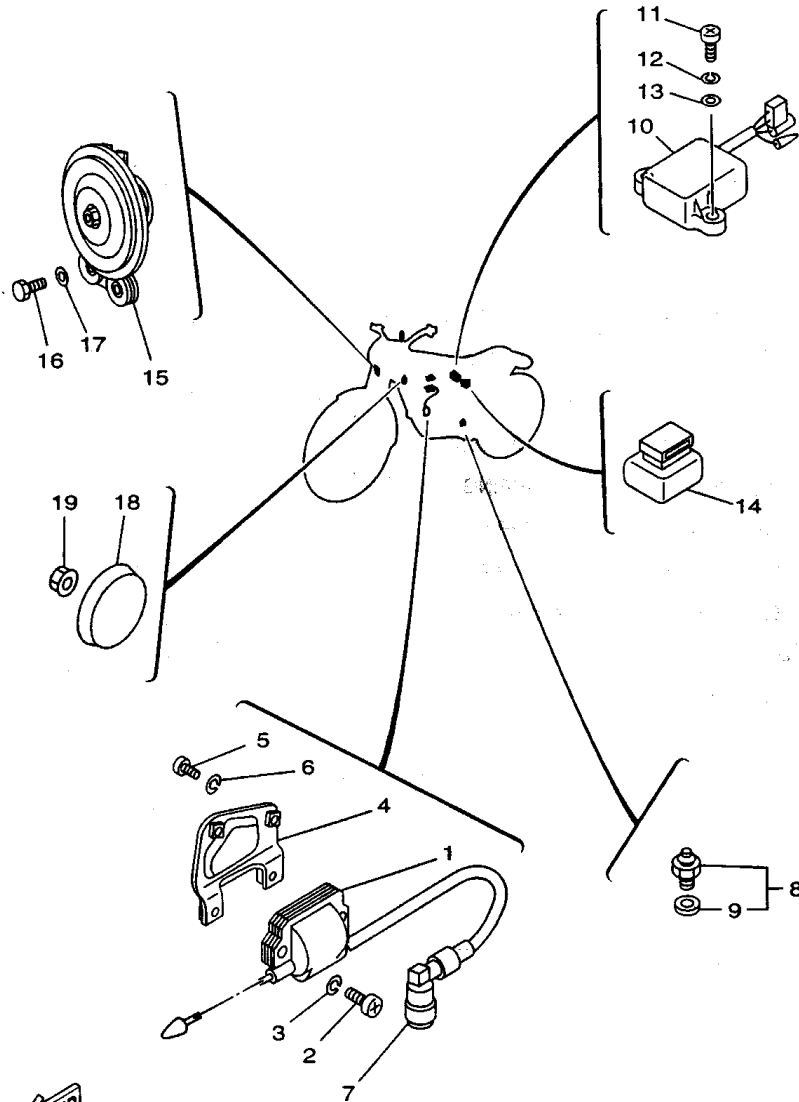
FIG. 32 HANDLE SWITCH. LEVER

REF.	PART NO.	DESCRIPTION	QTY	(ESCORTS NO.)	REMARKS
1	36L-H2920-V0	LEVER HOLDER ASSY (RIGHT)	1	1L1.19.12.00	
2	36L-H3922-V0	.LEVER 2	1	1L1.19.12.02	
3	36L-H3980-V0	.FRONT STOP SWITCH ASSY	1	1L1.19.13.00	
4	36L-H3945-V0	.BOLT, LEVER	1	1L1.19.12.03	
5	92990-06200	.WASHER, PLAIN	1	1L1.60.04.02	
6	95701-06300	.NUT, NYLON	1	00.044.08	
7	97004-06020	BOLT	1	00.021.19	
8	92907-06100	WASHER, SPRING	1	00.051.05	
9	36L-H3972-V0	SWITCH, HANDLE 4	1	1L2.30.11.00	
10	98507-05030	.SCREW, PAN HEAD	1	1L1.30.11.17	
11	98507-05035	.SCREW, PAN HEAD	1	1L1.30.11.18	
12	36L-H2910-V0	LEVER HOLDER ASSY (LEFT)	1	1L1.19.14.00	
13	36L-H3912-V0	.LEVER 1	1	1L1.19.14.02	
14	36L-H3929-V0	.PLATE, SPRING	1	1L1.19.14.03	
15	36L-H3945-V0	.BOLT, LEVER	1	1L1.19.12.03	
16	95617-06100	.NUT, U	1	00.044.08	
17	97013-06022	.BOLT	1	00.021.06	
18	92995-06100	.WASHER, SPRING	1	00.091.05	
19	36L-H3936-00	BAND, SWITCH CORD	2	1L1.19.15.00	



36L470-4320

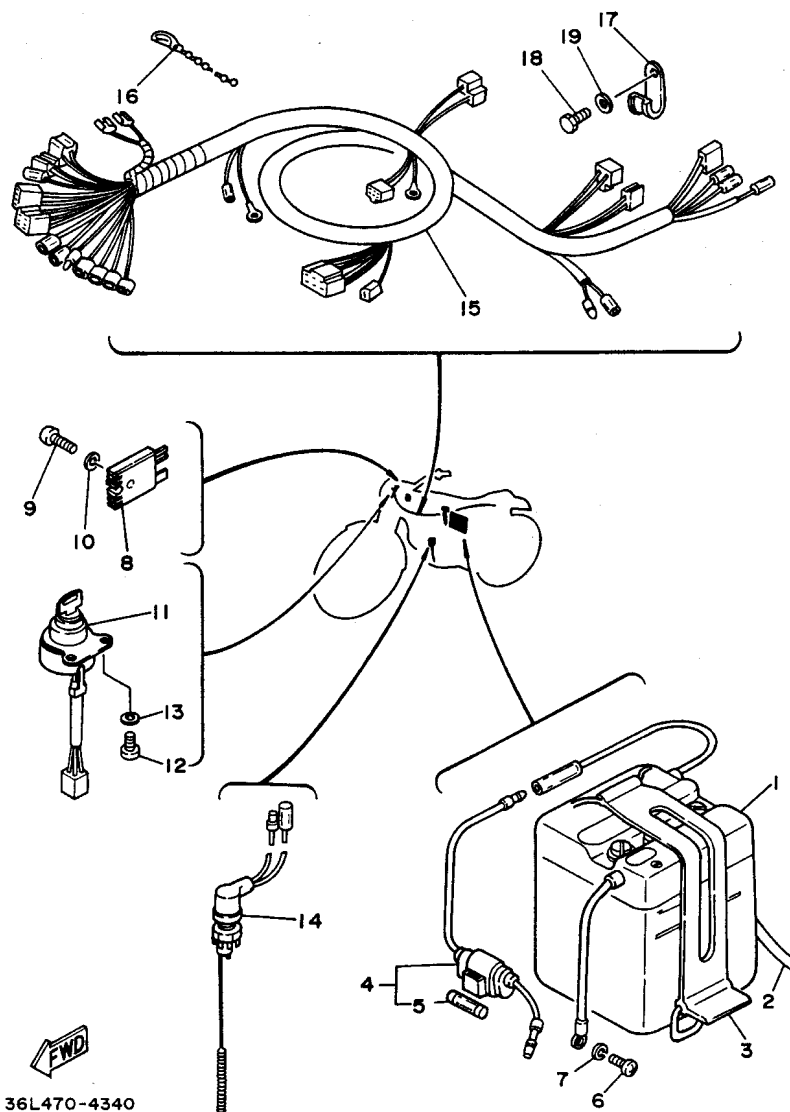
FIG. 33 ELECTRICAL 1



REF.	PART NO.	DESCRIPTION	QTY (ESCORTS NO.)	REMARKS
1	36L-H2310-00	IGNITION COIL ASSY	1 1L1.30.31.00	
2	98517-06020	SCREW, PAN HEAD	2 01.342.23	
3	92907-06100	WASHER, SPRING	2 00.091.05	
4	36L-H2316-00	BRACKET, IGNITION COIL	1 1L1.30.32.00	
5	98517-06012	SCREW, PAN HEAD	2 00.342.21	
6	92907-06100	WASHER, SPRING	2 00.051.05	
7	36L-H2370-V0	PLUG CAP ASSY	1 1A1.30.18.00	
8	36L-H2540-V1	NEUTRAL SWITCH ASSY	1 1L1.30.23.00	
9	36L-H258H-00	.GASKET	1 1L1.30.23.05	
10	36L-H5540-10	C.D.I. UNIT ASSY	1 1L1.30.23.05	
11	98517-06020	SCREW, PAN HEAD	1 01.342.23	
12	92907-06100	WASHER, SPRING	1 00.051.05	
13	92907-06600	WASHER, PLATE	1 00.061.05	
14	36L-H3350-V0	FLASHER RELAY ASSY	1 1L1.30.34.00	
15	36L-H3371-V0	HORN	1 1L1.30.04.00	
16	97017-06020	BOLT	2 00.051.05	
17	90201-06697	WASHER, PLATE	2 1L1.30.00.03	
18	36L-H5110-V0	REFLECTOR ASSY	1 1A1.01.33.00	
19	95707-05300	NUT, FLANGE	2 00.044.05	



36L0470-4330



36L470-4340

FIG. 34 ELECTRICAL 2

REF.	PART NO.	DESCRIPTION	QTY	(ESCORTS NO.)	REMARKS
1	36L-H2110-00	BATTERY ASSY	1	1L1.30.08.00	
2	90445-08336	.HOSE	1	1L1.30.08.01	
3	36L-H2131-10	BAND, BATTERY	1	1L1.30.10.00	
4	36L-H2150-V0	FUSE HOLDER ASSY	1	1L1.30.09.00	
5	36L-H2151-V0	.FUSE	1	1L1.30.09.01	
6	98517-06012	SCREW, PAN HEAD	1	00.342.21	
7	92907-06600	WASHER, PLATE	1	00.051.05	
8	36L-H1960-V0	RECTIFIER & REGULATOR ASSY	1	1L1.30.03.00	
9	98517-06012	SCREW, PAN HEAD	1	00.342.21	
10	92907-06600	WASHER, PLATE	1	00.061.10	
11	36L-H2510-V1	MAIN SWITCH ASSY	1	1L1.30.33.00	
12	97707-40610	SCREW, TAPPING	2	00.338.08	
13	92907-04100	WASHER, SPRING	2	00.051.02	
14	36L-H2530-V0	STOP SWITCH ASSY	1	1L1.30.06.00	
15	36L-H2590-00	WIRE HARNESS ASSY	1	1L1.30.01.00	
16	90464-20031	CLAMP	3	1L1.30.00.01	
17	36L-H2594-00	CLAMP	1	1L1.30.00.02	
18	97017-06016	BOLT	1	00.021.04	
19	90201-06M08	WASHER, PLATE	1	00.061.05	

NUMERICAL INDEX

NUMERICAL INDEX

PART NO.	REF.	(ESCORTS NO.)
2YA-F4568-00	21-34	1L1.07.09.00
36L-E1111-00	1-4	1L1.52.00.02
36L-E1127-00	1-2	1L1.52.00.06
36L-E1128-00	1-3	1L1.52.00.07
36L-E1161-00	1-9	1L1.52.00.04
36L-E1162-00	1-10	1L1.52.00.05
36L-E1181-00	1-5	1L1.52.00.01
36L-E1311-10	1-8	1L1.52.01.00
36L-E1351-00	1-11	1L1.52.00.03
36L-E1400-00	2-1	1L1.54.01.00
36L-E1412-00	2-2	1L1.54.01.01
36L-E1422-00	2-3	1L1.54.01.02
36L-E1603-00	2-19	1L1.54.08.00
36L-E1604-00	2-19	1L1.54.09.00
36L-E1605-00	2-19	1L1.54.10.00
36L-E1606-00	2-19	1L1.54.11.00
36L-E1607-00	2-19	1L1.54.12.00
36L-E1631-00	2-15	1L1.54.03.00
36L-E1633-00	2-16	1L1.54.00.08
36L-E1635-00	2-15	1L1.54.04.00
36L-E1636-00	2-15	1L1.54.05.00
36L-E1637-00	2-15	1L1.54.06.00
36L-E1638-00	2-15	1L1.54.07.00
36L-E1651-00	2-7	1L1.54.01.04
36L-E1681-00	2-4	1L1.54.01.03
36L-E3100-00	3-1	1L1.63.02.00
36L-E3116-00	3-13	1A1.63.00.06
36L-E3137-00-03	3-2	1A1.63.01.15
36L-E3137-00-05	3-2	1A1.63.01.16
36L-E3137-00-10	3-2	1A1.63.01.17
36L-E3138-00	3-3	1A1.63.01.13

PART NO.	REF.	(ESCORTS NO.)
36L-E3146-00	3-10	1L1.63.00.01
36L-E3174-00	3-20	1L1.63.00.04
36L-E3175-01	3-11	1L1.63.00.02
36L-E3176-00	3-16	1A1.63.00.04
36L-E3178-00	3-17	1L1.63.00.03
36L-E3565-00	4-6	1A1.52.01.00
36L-E3610-00	4-1	1L1.14.01.00
36L-E3621-00	4-5	1A1.52.00.05
36L-E4101-00	5-1	1L1.56.00.00
36L-E4112-20	5-18	1L1.56.00.15
36L-E4116-02	5-20	1L1.56.00.07
36L-E4122-00	5-25	1L1.56.00.22
36L-E4123-00	5-21	1L1.56.00.18
36L-E4124-00	5-29	1L1.56.00.26
36L-E4126-00	5-13	1L1.56.00.10
36L-E4131-00	5-14	1L1.56.00.11
36L-E4133-00	5-24	1L1.56.00.21
36L-E4134-00	5-26	1L1.56.00.23
36L-E4136-00	5-32	1L1.56.00.03
36L-E4137-00	5-31	1L1.56.00.05
36L-E4141-28	5-17	1L1.56.00.14
36L-E4142-20	5-19	1L1.56.00.16
36L-E4143-23	5-16	1L1.56.00.13
36L-E4145-00	5-12	1L1.56.00.09
36L-E4146-00	5-5	1L1.56.00.04
36L-E4147-00	5-30	1L1.56.00.19
36L-E4147-10	5-27	1L1.56.00.24
36L-E4161-00	5-28	1L1.56.00.25
36L-E4169-00	5-11	1L1.56.00.08
36L-E4171-00	5-6	1L1.56.04.00
36L-E4184-00	5-3	1L1.56.00.02

PART NO.	REF.	(ESCORTS NO.)
36L-E4185-00	5-4	1L1.56.03.00
36L-E4186-00	5-2	1L1.56.00.01
36L-E4190-20	5-22	1L1.56.05.00
36L-E4191-00	5-10	1L1.56.00.07
36L-E4195-00	5-23	1L1.56.00.20
36L-E4196-00	5-9	1L1.56.00.06
36L-E4197-00	5-15	1L1.56.00.12
36L-E4401-00	4-12	1L1.14.04.00
36L-E4402-00	4-16	1L1.14.06.00
36L-E4424-00	4-14	1L1.14.04.02
36L-E4451-00	4-15	1L1.14.03.01
36L-E4453-00	4-10	1L1.14.00.02
36L-E4476-00	4-13	1L1.14.04.01
36L-E4611-00	6-1	1L1.13.01.00
36L-E4612-00	6-2	1L1.13.00.01
36L-E4613-00	6-3	1A1.13.00.02
36L-E4710-10	6-6	1L1.13.02.00
36L-E4713-00	6-10	1A1.13.00.05
36L-E4714-00	6-11	1L1.13.00.02
36L-E4753-00	6-7	1L1.13.04.00
36L-E5110-00	7-1	1L1.66.17.00
36L-E5128-00	7-7	1L1.55.00.03
36L-E5353-00	12-18	1A1.60.00.26
36L-E5357-00	8-8	1L1.55.00.08
36L-E5362-00	8-24	1L1.55.03.00
36L-E5371-00	7-9	1A1.55.00.05
36L-E5411-00	8-1	1L1.55.00.07
36L-E5435-00	8-10	1L1.55.04.02
	8-22	
36L-E5443-00	8-11	1L1.55.04.03
36L-E5447-00	8-15	1L1.55.05.02

NUMERICAL INDEX

PART NO.	REF.	(ESCORTS NO.)
36L-E5451-00	8-20	1L1.55.00.09
36L-E5611-00	9-11	1L1.61.02.01
36L-E5618-00	9-17	1A1.61.00.06
36L-E5621-00	9-12	1L1.61.02.02
36L-E5641-00	9-5	1L1.61.00.03
36L-E5651-00	9-1	1L1.61.00.01
36L-E5660-00	9-4	1L1.61.01.00
36L-E5666-00	9-9	1L1.61.00.07
36L-E5676-00	9-7	1L1.61.00.05
36L-E6111-00	10-11	1L1.57.00.03
36L-E6150-00	10-1	1L1.57.02.00
36L-E6154-00	10-2	1L1.57.01.01
36L-E6321-00	10-5	1L1.57.04.00
36L-E6324-00	10-4	1L1.57.01.03
36L-E6341-00	10-23	1L1.57.00.11
36L-E6342-00	10-24	1L1.57.05.00
36L-E6346-00	10-27	1A1.57.00.11
36L-E6351-00	10-6	1L1.57.01.04
36L-E6356-00	10-17	1L1.57.00.08 ✓
36L-E6357-00	10-19	1L1.57.00.09
36L-E6371-00	10-3	1L1.57.01.02 ✓
36L-E7121-00	11-2	1L1.58.00.11
36L-E7131-00	11-3	1L1.58.00.12
36L-E7141-00	11-4	1L1.58.00.13
36L-E7211-01	11-8	1L1.58.01.00
36L-E7221-00	11-11	1L1.58.00.17
36L-E7231-00	11-12	1L1.58.00.18
36L-E7241-00	11-13	1L1.58.00.19
36L-E7285-00	11-14	1L1.58.00.07
36L-E7411-00	11-1	1L1.58.00.10
36L-E7421-00	11-7	1L1.58.00.15

PART NO.	REF.	(ESCORTS NO.)
36L-E7461-50	11-22	1L1.58.00.01
36L-E7471-00	11-17	1L1.58.00.06
36L-E8101-00	13-1	1L1.60.02.00
36L-E8111-00	13-10	1L1.60.05.00
36L-E8112-00	13-16	1L1.60.07.00
36L-E8113-00	13-11	1A1.60.00.30
36L-E8115-00	13-15	1L1.60.06.00
36L-E8140-00	12-21	1L1.60.03.00
36L-E8188-00	8-2	1L1.60.00.18
36L-E8531-00	12-15	1L1.60.00.06
36L-E8535-00	12-16	1L1.60.00.07
36L-E8540-02	12-1	1L1.60.01.00
36L-E8542-00	12-8	1L1.60.01.03
36L-E8561-00	12-5	1L1.60.01.02
36L-E8579-00	12-10	1L1.60.00.02
36L-F1110-10	14-1	1L1.01.01.00
36L-F1155-00	17-12	1L1.23.03.00
36L-F1308-V0	14-10	1L1.01.24.00
36L-F1510-10	15-1	1L1.08.01.00
36L-F1518-00	15-3	1A1.08.00.01
36L-F1521-00	15-4	1L1.08.00.01
36L-F1610-10	15-8	1L1.09.01.00
36L-F1621-01	15-16	1L1.09.00.01
36L-F1629-00	15-13	1L1.09.00.02
36L-F1711-01-H6	16-1	1L1.10.01.01
36L-F1711-01-H9	16-1	1L1.10.01.01
36L-F1711-01-20	16-1	1L1.10.01.01
36L-F1721-00-H6	16-6	1L1.10.02.01
36L-F1721-00-H9	16-6	1L1.10.02.01
36L-F1721-00-20	16-6	1L1.10.02.01
36L-F173E-00	16-11	1L1.10.01.09

PART NO.	REF.	(ESCORTS NO.)
36L-F173E-10	16-11	1L1.10.01.10
36L-F173F-00	16-14	1L1.10.02.07
36L-F173F-10	16-14	1L1.10.02.08
36L-F1745-00	17-9	1L1.23.00.05
36L-F1751-00	17-1	1L1.23.01.01
36L-F176A-00	17-15	1L2.23.02.00
36L-F1761-90	17-2	1L1.23.02.00
36L-F1763-00	17-4	1L1.23.01.03
36L-F1764-00	17-3	1L1.23.01.02
36L-F1771-00	17-5	1L1.23.00.06
36L-F1776-00	17-14	1L1.23.00.01
36L-F1781-10	16-10	1L1.10.01.02
36L-F1782-10	16-13	1L1.10.02.02
36L-F1783-00	16-16	1L1.10.01.04
36L-F1784-00	16-18	1L1.10.02.03
36L-F2110-10	18-1	1L1.22.01.00
36L-F2123-00	18-2	1L1.22.02.00
36L-F2141-01	18-3	1L1.22.00.01
36L-F2151-00	18-6	1L1.22.00.02
36L-F2210-00	18-13	1L1.21.01.00
36L-F2310-10	18-7	1L1.06.01.00
36L-F2315-00	18-12	1L1.06.00.01
36L-F3102-00	20-1	1L1.02.03.00
36L-F3103-00	20-21	1L1.02.07.00
36L-F3106-00	20-2	1L1.02.04.00
36L-F3107-00	20-22	1L1.02.08.00
36L-F3110-00	20-25	1L1.02.05.00
	20-5	
36L-F3111-00	20-16	130.02.05.07
	20-36	
36L-F3114-00	20-17	130.02.05.06

NUMERICAL INDEX

PART NO.	REF.	(ESCORTS NO.)
36L-F3114-00	20-37	130.02.05.06
36L-F3116-00	20-14	1L1.02.03.02
	20-34	
36L-F3118-00	20-11	1L1.02.03.05
	20-31	
36L-F3119-00	20-19	1L1.02.03.06
	20-39	
36L-F3121-00	20-43	1L1.02.13.00
36L-F3122-00	20-45	1L1.02.11.00
36L-F3129-00	20-20	130.02.05.01
	20-40	
36L-F3131-00	20-42	1L1.02.14.00
36L-F3132-00	20-44	1L1.02.12.00
36L-F3141-00	20-29	1L1.02.03.03
	20-9	
36L-F3144-00	20-28	130.02.05.02
	20-8	
36L-F3145-00	20-24	1L1.02.04.02
	20-4	
36L-F3146-00	20-10	130.02.05.04
	20-30	
36L-F3156-00	20-23	1L1.02.04.01
	20-3	
36L-F3158-L0	20-12	1A1.02.07.06
	20-32	
36L-F3163-00	20-13	1L1.02.03.01
	20-33	
36L-F3168-00	20-18	130.02.05.08
	20-38	
36L-F3170-K0	20-26	1L1.02.06.00
	20-6	

PART NO.	REF.	(ESCORTS NO.)
36L-F3173-00	20-27	130.02.05.03
	20-7	
36L-F3181-50	20-15	1L1.02.03.04
	20-35	
36L-F3318-40	20-47	1L1.02.02.02
36L-F3340-K0	20-41	1L1.02.20.00
36L-F3346-01	20-46	1L1.02.02.01
36L-F3395-00	19-22	1L1.02.00.10
36L-F3411-00	19-1	139.03.06.01
36L-F3411-10	19-3	1L1.02.00.01
36L-F3412-00	19-2	139.03.00.04
36L-F3412-10	19-4	1L1.02.00.02
36L-F3416-00	19-7	1L1.02.00.03
36L-F3435-00	19-11	1L1.02.00.05
36L-F3441-01	19-15	1L1.02.00.06
36L-F3480-V1	19-17	1L1.02.15.00
36L-F3484-00	19-19	123.24.00.01
36L-F4100-00-H6	21-1	1L1.07.01.00
36L-F4100-00-H9	21-1	1L1.07.01.00
36L-F4100-00-20	21-1	1L1.07.01.00
36L-F4161-10	21-24	1L1.07.00.05
36L-F4162-10	21-26	1L1.07.00.06
36L-F4181-00	21-3	1L1.07.00.01
36L-F4182-00	21-4	1L1.07.00.02
36L-F4240-00	21-2	1L1.07.01.01
36L-F4500-01	21-8	1L1.07.12.00
36L-F4515-00	21-18	1L1.07.12.05
36L-F4518-00	21-11	1L1.07.12.07
36L-F4521-00	21-13	1L1.07.12.03
36L-F4522-V0	21-20	1L1.07.12.06
36L-F4523-00	21-14	1L1.07.12.04

PART NO.	REF.	(ESCORTS NO.)
36L-F4524-00	21-9	1L1.07.12.02
36L-F4525-00	21-12	1L1.07.12.09
36L-F4531-00	21-15	1L1.07.04.08
36L-F4532-V0	21-19	1L1.07.04.09
36L-F4535-00	21-17	00.342.06
36L-F4560-00	21-16	1L1.07.13.00
36L-F4560-01	21-31	1L1.07.08.00
36L-F4576-00	21-10	1L1.07.12.08
36L-F4650-V1	21-21	1A1.07.05.00
36L-F4730-10	22-1	1L1.12.01.00
36L-F4731-00	22-2	1L1.12.03.00
36L-F474A-00	22-5	1L1.18.03.00
36L-F4741-00	22-3	1L1.12.01.06
36L-F4831-90	22-8	1L1.18.01.00
36L-F5111-10	23-1	1L1.04.02.00
36L-F5121-10	23-5	1L1.04.05.00
36L-F513A-00	23-21	1L1.04.04.09
36L-F5135-00	23-8	1L1.04.07.00
36L-F5136-00	23-9	1L1.04.04.02
36L-F5137-00	23-32	1L1.04.00.03
36L-F5138-00	23-10	1L1.04.08.00
36L-F5149-00	23-14	1L1.04.04.06
36L-F5155-00	23-16	1L1.04.04.07
36L-F5181-00	23-28	1L1.04.00.01
36L-F5304-01	23-22	1L1.66.24.00
	24-25	
36L-F5311-10	24-1	1L1.05.02.00
36L-F5321-10	24-8	1L1.05.05.00
36L-F533A-00	24-15	1L1.05.04.03
36L-F5351-00	23-19	1L1.05.04.01
	24-11	

NUMERICAL INDEX

PART NO.	REF.	(ESCORTS NO.)
36L-F5355-00	24-12	1L1.05.04.02
36L-F5364-00	24-7	1L1.05.01.02
36L-F5366-10	24-16	1L1.05.09.01
36L-F5371-00	24-30	1L1.05.00.04
36L-F5381-01	24-38	1L1.05.00.01
36L-F5387-01	24-20	1L1.05.09.03
36L-F5388-00	24-44	1L1.05.10.00
36L-F5389-00	24-45	1L1.05.11.00
36L-F5412-00	24-23	1L1.05.09.05
36L-F5439-00	24-21	1L1.05.09.02
36L-F6110-00	25-1	1L1.19.01.00
36L-F6241-00	25-18	1L1.19.00.07
36L-F6242-00	25-19	1L1.19.08.03
36L-F6243-00	25-20	1L1.19.08.01
36L-F6249-00	25-21	1L1.19.08.02
36L-F6260-00	25-2	1L1.19.02.00
36L-F6261-00	25-6	1L1.19.02.01
36L-F6268-00	25-7	1L1.19.02.02
36L-F6281-00	25-22	1L1.19.16.00
36L-F6282-00	25-23	1L1.19.00.11
36L-F6290-00	25-25	1L1.19.11.00
36L-F6290-10	25-26	1L1.19.10.00
36L-F6311-00	25-3	1L1.19.03.00
36L-F6312-00	25-4	1L1.19.05.00
36L-F6321-00	25-5	1L1.19.06.00
36L-F6335-00	25-8	1L1.19.07.00
36L-F6341-00	25-11	1L1.19.09.00
36L-F6363-10	25-10	1L1.19.00.10
36L-F6372-00	25-12	1L1.19.00.01
	25-9	
36L-F4393-00	22-10	1L1.18.01.02

PART NO.	REF.	(ESCORTS NO.)
36L-F4847-90	22-9	1L1.18.01.01
36L-F4393-10	22-11	1L1.18.01.03
36L-F7111-00	26-1	1L1.20.01.00
36L-F7112-00	26-2	1L1.20.00.01
36L-F7114-00	26-5	1L1.20.00.04
36L-F7115-00	26-3	1L1.20.00.02
36L-F7211-01	26-7	1L1.17.01.00
36L-F7231-00	26-9	1L1.17.00.01
36L-F7311-00	26-18	1L1.33.01.00
36L-F7411-00	26-15	1L1.11.01.00
36L-F7413-00	26-16	1L1.11.00.01
36L-F743E-00	26-26	1L1.26.00.02
36L-F7431-02	26-24	1L1.26.03.00
36L-F7432-00	26-22	1L1.26.01.00
36L-F7433-02	26-25	1L1.26.00.04
36L-F7442-00	26-23	1L1.26.02.00
36L-F8100-00	14-12	1L1.15.01.00
36L-F8378-00	31-15	131.01.00.03
36L-H1313-00	27-4	1L1.67.06.00
36L-H1313-V0	27-4	1L1.62.06.00
36L-H1960-V0	34-8	1L1.30.03.00
36L-H2110-00	34-1	1L1.30.08.00
36L-H2131-10	34-3	1L1.30.10.00
36L-H2150-V0	34-4	1L1.30.09.00
36L-H2151-V0	34-5	1L1.30.09.01
36L-H2310-00	33-1	1L1.30.31.00
36L-H2316-00	33-4	1L1.30.32.00
36L-H2370-V0	33-7	1A1.30.18.00
36L-H2510-V1	34-11	1L1.30.33.00
36L-H2530-V0	34-14	1L1.30.06.00
36L-H2540-V1	33-8	1L1.30.23.00

PART NO.	REF.	(ESCORTS NO.)
36L-H258H-00	33-9	1L1.30.23.05
36L-H2588-00	31-14	137.29.00.01
36L-H2590-00	34-15	1L1.30.01.00
36L-H2594-00	34-17	1L1.30.00.02
36L-H2910-V0	32-12	1L1.19.14.00
36L-H2920-V0	32-1	1L1.19.12.00
36L-H3310-V0	28-1	1L1.24.01.00
36L-H3311-V0	28-10	00.181.40
	28-2	
36L-H3312-V0	28-12	120.31.06.02
	28-4	
36L-H3313-V0	28-11	120.31.06.03
	28-3	
36L-H3330-V0	28-9	1L1.24.07.00
36L-H3350-V0	33-14	1L1.30.34.00
36L-H3354-00	28-8	1L1.24.05.00
36L-H3371-V0	33-15	1L1.30.04.00
36L-H3509-V0	29-2	1L1.25.09.00
36L-H3510-V0	29-1	1L1.25.22.00
36L-H3516-V0	29-3	00.181.39
	29-6	
	29-9	
36L-H3519-V0	29-10	1L1.25.01.01
36L-H3520-V0	29-5	1L1.25.19.00
36L-H3523-V0	29-11	1L1.25.01.02
36L-H3524-00	29-12	1L1.25.01.03
36L-H3530-V0	29-4	1L1.25.10.00
36L-H355T-V0	29-8	1L1.25.14.00
36L-H3550-00	29-17	1L1.25.20.00
36L-H3582-V0	29-7	1L1.25.15.00
36L-H3912-V0	32-13	1L1.19.14.02

NUMERICAL INDEX

PART NO.	REF.	(ESCORTS NO.)
36L-H3922-V0	32-2	1L1.19.12.02
36L-H3929-V0	32-14	1L1.19.14.03
36L-H3936-00	32-19	1L1.19.15.00
36L-H3945-V0	32-15	1L1.19.12.03
	32-4	
36L-H3972-V0	32-9	1L2.30.11.00
36L-H3980-V0	32-3	1L1.19.13.00
36L-H4114-V0	30-5	00.181.41
36L-H4115-V0	30-2	1L1.28.04.00
36L-H4121-V0	30-3	1L1.28.06.00
36L-H4124-V0	30-7	1L1.28.03.01
36L-H4127-V0	30-15	1L1.28.02.05
36L-H4130-V0	30-11	1L1.28.02.00
36L-H4140-V0	30-6	1L1.28.07.00
36L-H4145-V0	30-14	1L1.28.02.04
36L-H4147-V0	30-9	00.181.42
36L-H4150-V0	30-8	1L1.28.08.00
36L-H4154-V0	30-4	1A1.28.01.01
36L-H4163-V0	30-12	1L1.28.02.02
36L-H4164-V0	30-13	1L1.28.02.03
36L-H4310-V0	30-1	1L1.28.05.00
36L-H4514-V0	31-2	00.181.23
36L-H4521-V0	31-4	1L1.29.03.00
36L-H4523-V0	31-3	1L1.29.02.01
36L-H4542-V0	31-8	1L1.29.01.03
36L-H4551-V0	31-6	1L1.29.01.01
36L-H4553-V0	31-7	1L1.29.01.02
36L-H4554-V0	31-10	1L1.29.00.01
36L-H4557-V0	31-9	1L1.29.01.04
36L-H4710-V0	31-1	1L1.29.02.00
36L-H5110-V0	33-18	1A1.01.33.00

PART NO.	REF.	(ESCORTS NO.)
36L-H5520-00	27-3	1L1.67.04.00
36L-H5520-V0	27-3	1L1.62.04.00
36L-H5540-10	33-10	1L1.30.23.05
36L-H5550-00	27-1	1L1.67.02.00
36L-H5550-V0	27-1	1L1.62.02.00
36L-H5560-00	27-2	1L1.67.03.00
36L-H5560-V0	27-2	1L1.62.03.00
36L-H5569-V0	27-6	1L1.62.03.03
36L-H5580-00	27-5	1L1.67.08.00
36L-H5580-V0	27-5	1L1.62.08.00
36L-WE541-00	8-9	1L1.55.04.00
36L-WE542-00	8-14	1L1.55.05.01
36L-WE543-00	8-21	1L1.55.06.00
36L-WF512-00	23-2	1L1.04.03.00
36L-WF512-10	24-2	1L1.05.03.00
36L-WF518-00	23-27	1L1.04.06.00
36L-WF536-00	23-6	1L1.66.25.00
36L-WF536-00	24-9	1L1.66.25.00
3M5-18511-01	12-12	1L1.60.00.03
3M5-18512-00	12-13	1L1.60.00.04
3M5-18513-00	12-14	1L1.60.00.05
4TL-E8589-00	12-9	1L1.60.00.01
4TL-F1747-00	17-16	1L5.23.00.01
90101-06278	23-17	00.022.55
	24-13	
90105-08099	14-2	1L1.01.00.02
90105-10006	19-10	00.024.01
90105-10040	14-4	1L1.01.00.05
90105-10849	14-3	1L1.01.00.04
90109-06001	12-22	1L1.60.00.15
90109-08032	26-20	1L1.33.00.02

PART NO.	REF.	(ESCORTS NO.)
90109-08063	24-31	1L1.05.00.08
90109-08361	24-22	1L1.05.09.06
90109-08368	24-34	1L1.05.00.09
90109-14385	12-17	1L1.60.00.08
90113-06013	10-21	1L1.57.00.13
90116-08166	6-4	1A1.13.00.03
90116-08393	1-7	1L1.52.00.11
90116-10278	1-13	1L1.52.01.00
90119-05020	10-8	02.022.58
90119-06056	15-15	1L1.09.02.00
90123-06010	25-16	1L1.19.00.05
90123-08013	25-13	1L1.19.00.02
90123-08046	25-14	1L1.19.00.03
90146-06009	16-4	1L1.10.00.02
90149-08094	13-4	1L1.60.00.11
90152-04006	21-25	1L1.07.00.10
	21-27	
90153-08011	24-46	1A1.05.00.12
90170-08029	13-5	1L1.60.00.20
90170-12060	10-9	1L1.57.00.01
90170-12347	27-16	1L1.62.00.03
90170-12408	18-4	1L1.22.00.03
90170-20167	24-39	1L1.05.00.06
90171-10004	23-29	1L1.04.00.02
90171-14056	24-42	1L1.05.00.07
90175-06013	26-14	1L1.17.00.04
90176-10073	18-16	00.046.04
90179-06143	25-17	1L1.19.00.06
90179-06264	16-5	1L1.10.00.03
90179-08148	25-15	1L1.19.00.04
90179-08639	24-24	1L1.05.09.07

NUMERICAL INDEX

PART NO.	REF.	(ESCORTS NO.)
90179-08823	1-6	00.043.09
	6-5	
90179-10812	1-12	1L1.52.00.08
90179-12813	10-13	1L1.57.00.05
90179-16226	11-24	1L1.58.00.09
90179-25033	19-8	1A1.02.00.08
90183-04005	16-12	1L1.10.01.03
	16-15	
90183-06018	16-17	1L1.10.01.05
	16-19	
90201-05036	15-18	1L1.09.00.04
90201-05725	15-5	00.064.06
90201-06M08	34-19	00.061.05
90201-065F3	16-3	1L1.10.00.01
	16-8	
	31-13	
	4-22	
	4-25	
90201-06697	33-17	1L1.30.00.03
90201-07076	23-12	1L1.04.04.04
90201-08085	13-13	1L1.60.04.02
90201-08612	21-6	1L1.07.00.04
90201-08624	3-12	1A1.63.00.02
90201-106F2	18-15	111.03.00.01
90201-12535	27-14	1L1.62.00.02
90201-12631	13-17	1L1.60.00.17
90201-14218	18-14	1A1.09.00.03
90201-14220	13-8	1L1.60.00.14
90201-153A1	9-15	1A1.61.00.17
90201-15827	9-2	1L1.61.00.02
90201-15828	11-10	1L1.58.00.16

PART NO.	REF.	(ESCORTS NO.)
90201-17558	10-15	1L1.57.00.06
90201-20266	11-5	1A1.58.00.10
90201-20269	23-13	1L1.04.04.05
90201-20279	26-28	1L1.26.00.03
90202-04801	21-33	1L1.07.00.09
90208-04029	19-21	1L1.02.00.09
90208-12015	10-10	1L1.57.00.02
	10-14	
90209-08050	14-9	1L1.01.00.03
90209-10224	19-9	1L1.02.00.04
90209-22248	2-6	1A1.54.01.01
90215-08014	13-6	1L1.60.00.12
90215-16127	11-25	1L1.58.00.20
90240-06052	26-29	1L1.26.00.01
90240-08013	13-12	1L1.60.04.01
90249-12008	26-13	1A1.17.00.02
90269-04003	19-20	00.340.02
90280-03017	2-8	1L1.54.00.01
90282-05005	10-12	1L1.57.00.04
90340-12005	7-11	1L1.55.00.05
90381-08803	8-16	1L1.58.00.22
90385-08029	17-8	1L1.23.00.04
90385-24028	17-6	1L1.23.00.02
90387-07390	4-21	1L1.14.00.01
90387-15425	24-40	1L1.05.00.02
90387-20165	24-41	1L1.05.00.05
90387-20491	11-23	1L1.58.00.08
90387-205E9	2-10	1L1.54.00.03
90430-04004	3-7	1A1.63.01.04
90430-12207	7-12	1L1.55.00.06
90445-05203	3-9	1L1.63.01.01

PART NO.	REF.	(ESCORTS NO.)
90445-08336	34-2	1L1.30.08.01
90445-09059	21-29	1L1.07.00.17
90445-09107	17-10	1L1.63.00.06
90445-09264	21-28	1L1.07.00.07
90446-07228	7-10	1L1.55.00.04
90460-43053	4-9	1A1.52.06.00
90460-49058	4-11	1L1.14.07.00
90462-05012	27-13	1L1.62.00.01
90462-08070	3-22	1L1.63.00.05
90464-08020	15-14	1L1.09.00.03
90464-20031	34-16	1L1.30.00.01
90467-08003	17-11	1A1.23.00.04
	21-30	
90468-02033	3-21	1A1.63.00.08
	3-8	
90468-10050	24-33	1L1.05.00.10
90468-26048	9-6	1L1.61.00.04
90480-12053	16-2	1L1.10.10.04
	16-7	
	4-19	
90480-14023	4-20	1L1.14.00.04
90480-18171	17-7	00.23.00.03
90480-25189	21-5	1L1.07.00.03
90501-10245	26-12	1L1.17.00.03
90501-10353	12-19	1L1.60.00.09
90501-12081	9-14	1A1.61.00.15
90501-20568	10-7	1L1.57.01.05
90502-09024	19-18	1L1.02.00.07
90506-08818	13-2	1L1.60.02.05
90506-09809	12-23	1L1.60.00.16
90506-10069	10-26	1A1.57.00.10

NUMERICAL INDEX

PART NO.	REF.	(ESCORTS NO.)
90506-17328	23-7	1L1.05.04.04
	24-10	
90506-25047	26-19	1L1.33.00.01
90506-29054	26-4	1L1.20.00.03
90508-26484	9-8	1L1.61.00.06
90508-32056	26-8	1L1.17.00.02
90508-32811	13-3	1L1.60.00.10
90560-17147	10-16	1L1.57.00.07
91317-08025	9-18	00.328.17
91401-20015	24-37	00.091.03
	26-10	
91490-16020	13-14	00.091.16
	26-30	
91490-20025	23-31	00.091.17
91490-30030	24-43	00.091.14
91609-40016	12-4	00.621.10
91609-50016	12-3	00.621.09
92707-06030	14-11	00.343.03
92901-04100	27-11	00.051.02
92907-04100	34-13	00.051.02
92907-04600	29-14	00.051.02
92907-05100	12-6	00.051.10
92907-05200	19-24	1L1.02.00.11
92907-05600	21-23	00.051.05
	21-36	
92907-06100	31-17	00.051.05
	32-8	
	33-6	
	33-12	
	33-3	
	6-9	

PART NO.	REF.	(ESCORTS NO.)
92907-06200	4-18	00.063.04
92907-06600	4-8	00.062.04
	18-9	
	18-11	
	21-38	
	26-11	
	33-13	
	34-7	
	34-10	
92907-08100	14-7	00.051.06
	15-10	
	19-13	
	24-36	
92907-10100	14-8	00.051.07
	28-14	
	28-6	
92907-10200	23-30	00.061.13
92907-12100	27-15	00.051.08
92907-12200	18-5	00.061.07
92990-04100	5-8	00.051.02
92990-05100	3-5	00.051.10
92990-06200	32-5	1L1.60.04.02
92995-06100	32-18	00.091.05
93101-10806	3-15	1A1.63.00.05
93101-17807	9-10	1L1.61.00.08
93102-18802	23-4	1L1.04.01.01
93102-25807	2-13	1L1.54.00.06
93102-26805	11-20	1L1.58.00.02
93103-28800	2-14	1L1.54.00.07
93104-07804	23-11	00.141.16
93104-11806	10-25	1L1.57.00.12

PART NO.	REF.	(ESCORTS NO.)
93104-22805	24-5	1L1.05.01.01
93105-47801	23-20	1L1.04.04.08
93106-26801	24-19	1L1.05.09.04
93109-05022	10-20	1L1.57.00.10
93109-14803	13-7	1L1.60.00.13
93210-14806	29-18	1L1.25.20.01
93210-18023	2-9	1L1.54.00.02
93210-19809	8-25	1L1.55.00.10
93210-42807	24-6	1L1.05.01.03
93306-004Y0	24-18	00.134.02
93306-202Y0	24-3	00.131.01
93306-202Y1	24-4	00.134.01
93306-205Y0	2-12	1L1.54.00.04
93306-301Y3	23-3	1L1.04.01.02
93306-303Y1	11-16	00.134.03
93306-304Y1	11-19	1L1.58.00.03
93306-304Y2	2-11	1L1.54.00.05
93310-21403	2-17	1L1.54.13.00
93310-422L0	2-5	1L1.54.02.00
93311-315Y0	11-15	1L1.58.00.04
	11-21	
93410-20808	23-15	00.162.01
93410-20809	11-6	1L1.58.00.14
93420-42801	24-17	00.161.06
93430-08810	3-19	00.163.11
93430-10811	13-18	00.163.10
	9-16	
93430-12809	26-6	00.163.15
93430-12812	13-9	00.163.05
93440-11029	8-3	1L1.60.00.19
93440-15802	11-9	00.162.03

NUMERICAL INDEX

PART NO.	REF.	(ESCORTS NO.)
93440-15802	9-3	00.162.03
93450-15090	2-18	1L1.54.00.09
93501-04805	19-5	00.121.02
93503-16806	19-6	00.121.01
93503-16807	10-18	00.121.01
93505-16814	12-20	00.121.03
93507-32819	9-13	00.121.08
93603-22805	3-18	1A1.59.00.13
93604-22806	12-2	1A1.60.00.09
94125-18838	23-23	00.351.05
94127-18839	24-26	00.351.06
94225-18823	23-24	00.361.06
94227-18824	24-27	00.361.06
94325-18822	23-25	1L1.05.00.11
	24-28	
94414-18832	23-26	1L1.05.00.13
	24-29	
94508-04110	24-48	1L1.05.12.00
94608-04001	24-49	1L1.05.14.00
94700-00812	1-1	00.241.03
95307-05600	15-19	00.041.05
	15-7	
	29-15	
95307-10600	28-7	00.041.19
	28-15	
95317-06600	23-18	00.041.07
	24-14	
	31-11	
	31-16	
95317-08700	24-35	00.042.090
	24-47	

PART NO.	REF.	(ESCORTS NO.)
95317-08700	26-21	00.042.09
95337-08600	15-11	00.041.09
	19-14	
	21-7	
	24-32	
95380-05600	3-4	00.041.05
95380-06600	10-22	00.041.07
95617-06100	32-16	00.044.08
95701-06300	32-6	00.044.08
95707-05300	33-19	00.044.05
95707-08500	14-5	1L1.01.00.06
	22-4	
95707-10500	14-6	1L1.01.00.07
95807-06016	15-2	00.026.01
95817-06012	15-12	00.026.05
	17-13	
	22-6	
	22-7	
95817-08016	6-12	00.026.02
95817-08020	26-17	00.026.07
	26-31	
95817-08030	19-16	00.026.03
95817-08050	19-12	00.026.04
97004-06020	32-7	00.021.19
97013-06022	32-17	00.021.06
97017-06016	34-18	00.021.04
97017-06020	13-19	00.021.06
	33-16	
97017-06025	4-23	00.021.07
	4-7	
97017-08016	29-16	01.021.08

PART NO.	REF.	(ESCORTS NO.)
97017-08020	15-9	00.022.57
97027-06012	21-37	00.022.05
97607-05208	21-22	00.327.07
97706-30620	28-13	00.338.09
	28-5	
97707-40610	34-12	00.338.08
97780-40120	31-5	00.338.15
97885-06035	8-18	00.342.26
98501-08010	7-8	00.324.14
98507-04006	27-10	00.322.30
98507-04010	29-13	01.327.05
98507-05010	19-23	00.327.08
	21-35	
98507-05016	15-17	00.342.18
98507-05030	32-10	1L1.30.11.17
98507-05035	32-11	1L1.30.11.18
98507-06016	16-9	00.327.12
	4-24	
	18-10	
98507-06040	4-17	00.342.27
98511-04016	5-7	00.342.11
98511-06012	11-18	00.342.21
98517-04012	27-7	00.322.17
98517-04025	27-8	00.322.06
98517-05012	12-7	00.342.16
	15-6	
	30-10	
98517-06008	12-11	00.342.20
98517-06012	6-8	00.327.12
	18-8	
	31-12	

NUMERICAL INDEX

PART NO.	REF.	(ESCORTS NO.)
98517-06012	33-5	00.342.21
	34-6	
	34-9	
98517-06020	33-11	01.342.23
	33-2	
98517-06025	8-12	00.342.24
	8-23	
98580-04010	27-9	00.322.37
98580-05014	3-14	00.322.65
98580-06016	8-13	00.342.22
98580-06030	8-5	00.342.25
98580-06545	7-2	00.342.31
	8-6	
98580-06555	7-3	00.322.14
	8-19	
	8-7	
98580-06565	7-4	00.342.30
98586-05016	25-24	00.342.18
98707-06014	27-12	00.343.02
98707-06016	26-27	00.341.03
98907-05010	21-32	00.327.08
98980-04008	3-6	00.327.01
99530-10014	7-5	1L1.55.00.01
	8-17	
	8-4	
99530-14016	7-6	1L1.55.00.02

PART NO.	REF.	(ESCORTS NO.)
----------	------	---------------

PART NO.	REF.	(ESCORTS NO.)
----------	------	---------------

*art of this publication
out permission.*

YAMAHA

YAMAHA MOTOR CO., LTD.

2500 SHINGA I IWATA SHIZUOKA JAPAN
SERVICE INFORMATION DIV.

PRINTED ON RECYCLED PAPER

Printed in Japan
First edition JUL.,1996