



YAMAHA

PARTS CATALOGUE

RX135L (49K)

COLOMBIA

1449K-261E1

FOREWORD

This Parts Catalogue is related to the parts in use for the Yamaha RX135L (49K).
When you are ordering replacement parts for the RX135L (49K), refer to this parts Catalogue and quote both part numbers and part names correctly.

1. Modifications or additions which have been made after issue of the Parts Catalogue will be announced in the Yamaha Parts News.

It is advisable that according to the Yamaha Parts News you make necessary corrections to the Parts Catalogue on hand to keep it up-to-date.

2. Abbreviations

The following abbreviations are used in this Parts Catalogue.

- U.R. Use size (thickness) and/or number as required.
- U.N. Use as many as you need.
- A.P. Alternate Parts
- L.M. Local Made
- F# Frame No. (Applicable machine No.)

3. The parts marked with (*) in the parts number column of this Catalogue are not supplied with by Yamaha, those have to be found locally.

4. Parts, which are to be supplied in the form of assemblies, are listed with an indentation of one letter's space, and a dot (.) is put against the name of each part.

EXAMPLE CARBURETOR ASS'Y
 . JET, pilot
 . NOZZLE, main

5. Indication of No. of constituent parts for assembly

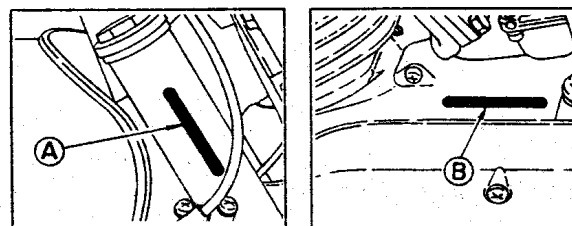
The numeral appearing to the right of each constituent part under the description indicates the quantity of such parts for each individual assembly unit.

EXAMPLE

Part No.	Description	Q'ty	Remarks
2F5-83310-60	FRONT FLASHER LIGHT ASS'Y	2	
115-83311-60	. BULB (6V-18W)	1	
1M1-83309-60	. REFLECTOR	1	

6. Initial Serial No. and Color Code

(A) Frame Serial No.	
(B) Engine Serial No.	49K-000101 and following



Color Code	Color Name	Abbreviate
2L	Caribbean Blue	CRB
6G	New Yamaha Black	NYB
63	Brulliant Red	BR

7. Applicable colors of graphics are represented in the "Remarks" column by the letter(s) appropriately picked out of the full word(s) showing such colors.

EXAMPLE

Part No.	Description	Q'ty	Remarks
2N4-24110-00-X5	FUEL TANK COMP.	1	MAXIM RED
3J1-24240-10	. GRAPHIC, fuel tank set	1	for MXR

CONTENTS

ENGINE

Fig. 1	Cylinder	1
Fig. 2	Crankshaft · Piston	2
Fig. 3	C.D.I. Magneto	4
Fig. 4	Oil Pump	6
Fig. 5	Intake	7
Fig. 6	Carburetor	9
Fig. 7	Exhaust	11
Fig. 8	Crankcase	12
Fig. 9	Crankcase Cover	13
Fig. 10	Kick Starter	14
Fig. 11	Clutch	15
Fig. 12	Transmission	16
Fig. 13	Tachometer Gear	18
Fig. 14	Shift Cam · Fork	19
Fig. 15	Shift Shaft · Pedal	20

CHASSIS

Fig. 16	Frame · Tool	21
Fig. 17	Front Fender · Rear Fender	22
Fig. 18	Side Cover	23
Fig. 19	Oil Tank	24
Fig. 20	Rear Arm · Suspension	25
Fig. 21	Steering	26
Fig. 22	Front Fork	27
Fig. 23	Fuel Tank	29
Fig. 24	Seat	31
Fig. 25	Front Wheel	33
Fig. 26	Front Brake Caliper	34
Fig. 27	Rear Wheel	35
Fig. 28	Handlebar · Cable	37
Fig. 29	Front Master Cylinder	38
Fig. 30	Stand · Footrest	39

Fig. 31	Cowling	40
Fig. 32	Flasher Light	41
Fig. 33	Speedometer · Tachometer	42
Fig. 34	Headlight	44
Fig. 35	Taillight	45
Fig. 36	Electrical 1	46
Fig. 37	Handle Switch · Lever	48

ALTERNATE PARTS

Fig. 38	Carburetor	49
---------	------------	----

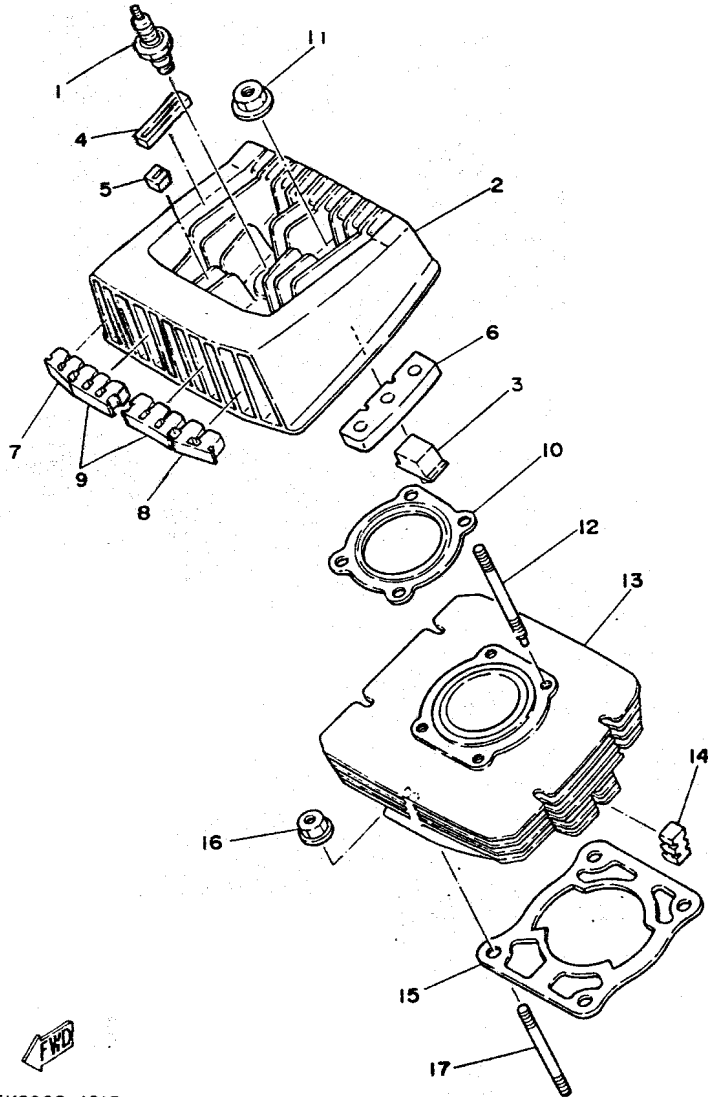
REPAIR KIT

Fig. 39	Repair Kit	51
---------	------------	----

INDEX

Numerical Index

FIG. 1 CYLINDER



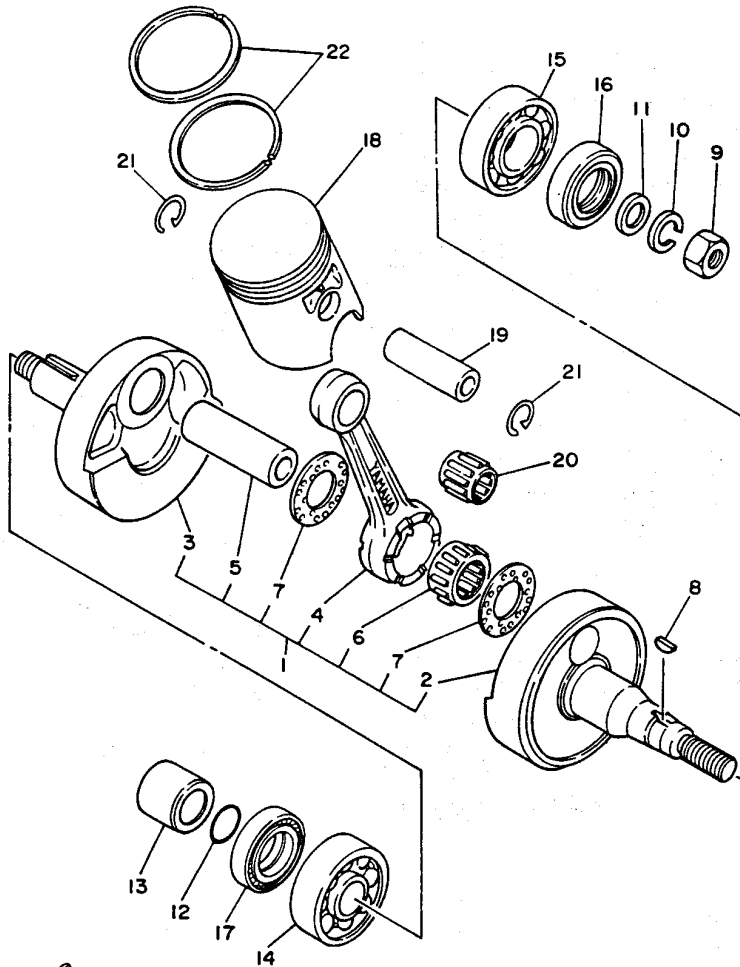
REF. NO.	PART NO.	DESCRIPTION	Q'TY	REMARKS
1	94701-00050	PLUG, sPark (NGK BP7HS)	1	
2	4Y2-11111-00	HEAD, cylinder 1	1	
3	4Y2-11128-00	ABSORBER 4	2	
4	4Y2-11127-00	ABSORBER 3	2	
5	463-11127-02	ABSORBER 3	6	
6	4Y2-11128-10	ABSORBER 4	2	
7	4Y2-11161-00	ABSORBER 1	1	
8	4Y2-11162-00	ABSORBER 2	1	
9	4Y2-11129-00	ABSORBER 5	4	
10	4Y2-11181-00	GASKET, cylinder head 1	1	
11	90179-08270	NUT	4	
12	90116-08393	BOLT, stud	4	
13	4Y2-11311-00	CYLINDER 1	1	
14	3M5-11161-00	ABSORBER 1	6	
15	3M5-11351-01	GASKET, cylinder	1	
16	90179-10279	NUT	4	
17	90116-10278	BOLT, stud	4	



5K9200-1010

B2

FIG. 2 CRANKSHAFT-PISTON



REF. NO.	PART NO.	DESCRIPTION	Q'TY	REMARKS
1	4Y2-11400-00	CRANKSHAFT ASSY	1	
2	452-11412-00	•CRANK 1	1	
3	452-11422-00	•CRANK 2	1	
4	4Y2-11651-00	•ROD, connectin&	1	
5	3M5-11681-00	•PIN, crank 1	1	
6	93310-422L0	•BEARING, cylindrical	1	
7	90209-22071	•WASHER	2	
8	90280-03017	KEY, woodruff	1	
9	90170-12067	NUT	1	
10	92901-12100	WASHER, sPring	1	
11	90201-12535	WASHER, Plate	1	
12	93210-18023	O-RING	1	
13	90387-205E9	COLLAR	1	
14	93306-30405	BEARING (B6304C3)	1	
15	93306-20529	BEARING (B6205C4)	1	
16	93102-25061	DIL SEAL	1	
17	93103-28011	DIL SEAL	1	
18	4Y2-11631-01-97	PISTON (STD)	1	
	4Y2-11635-00	PISTON (1ST O/S 0.25MM)	1	AP
	4Y2-11636-00	PISTON (2ND O/S 0.50MM)	1	AP
	4Y2-11637-00	PISTON (3RD O/S 0.75MM)	1	AP
	4Y2-11638-00	PISTON (4TH O/S 1.00MM)	1	AP
19	4Y2-11633-00	PIN, Piston	1	
20	93310-216J2	BEARING, cylindrical	1	
21	93450-17025	CIRCLIP	2	
22	4Y2-11601-00	PISTON RING SET (STD)	1	
	4Y2-11601-10	PISTON RING SET (1ST O/S)	1	AP

4Y2460-1020

B3

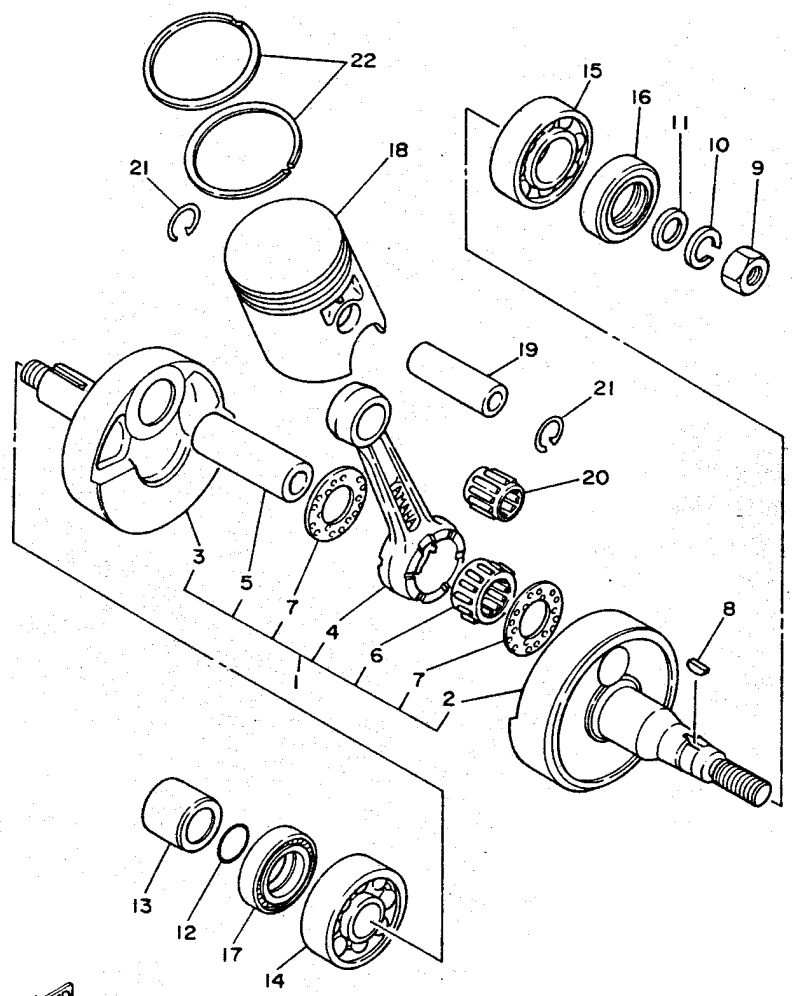


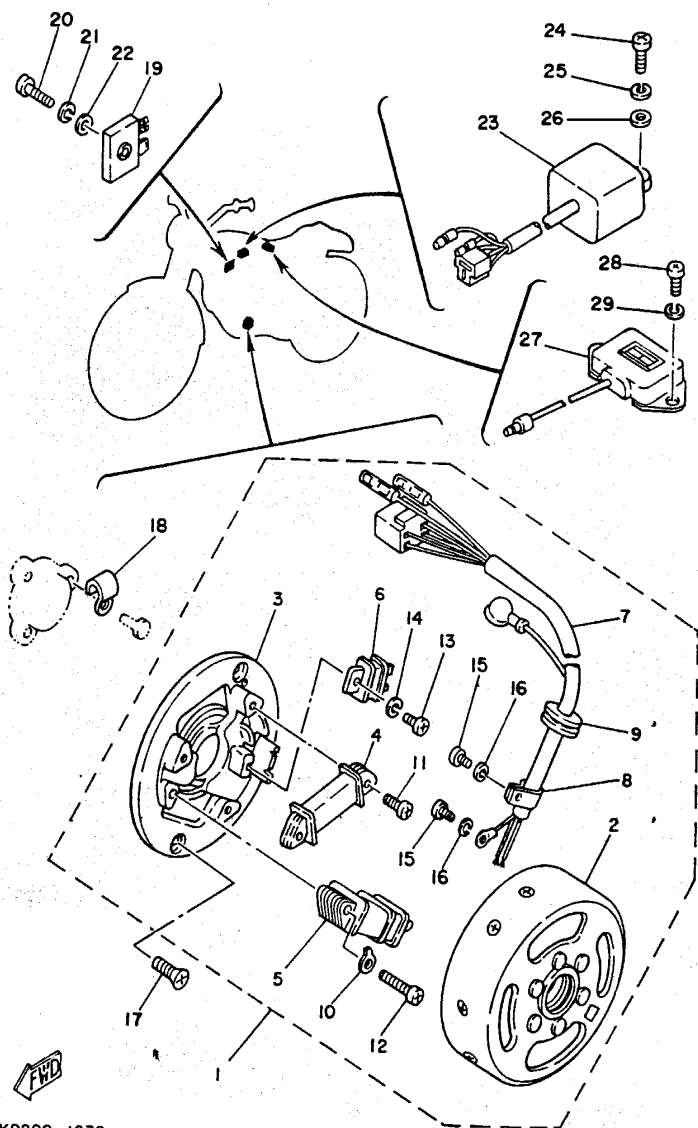
FIG. 2 CRANKSHAFT-PISTON

REF. NO.	PART NO.	DESCRIPTION	Q'TY	REMARKS
22	4Y2-11601-20	PISTON RING SET (2ND O/S)	1	AP
	4Y2-11601-30	PISTON RING SET (3RD O/S)	1	AP
	4Y2-11601-40	PISTON RING SET (4TH O/S)	1	AP



4Y2460-1020

B4

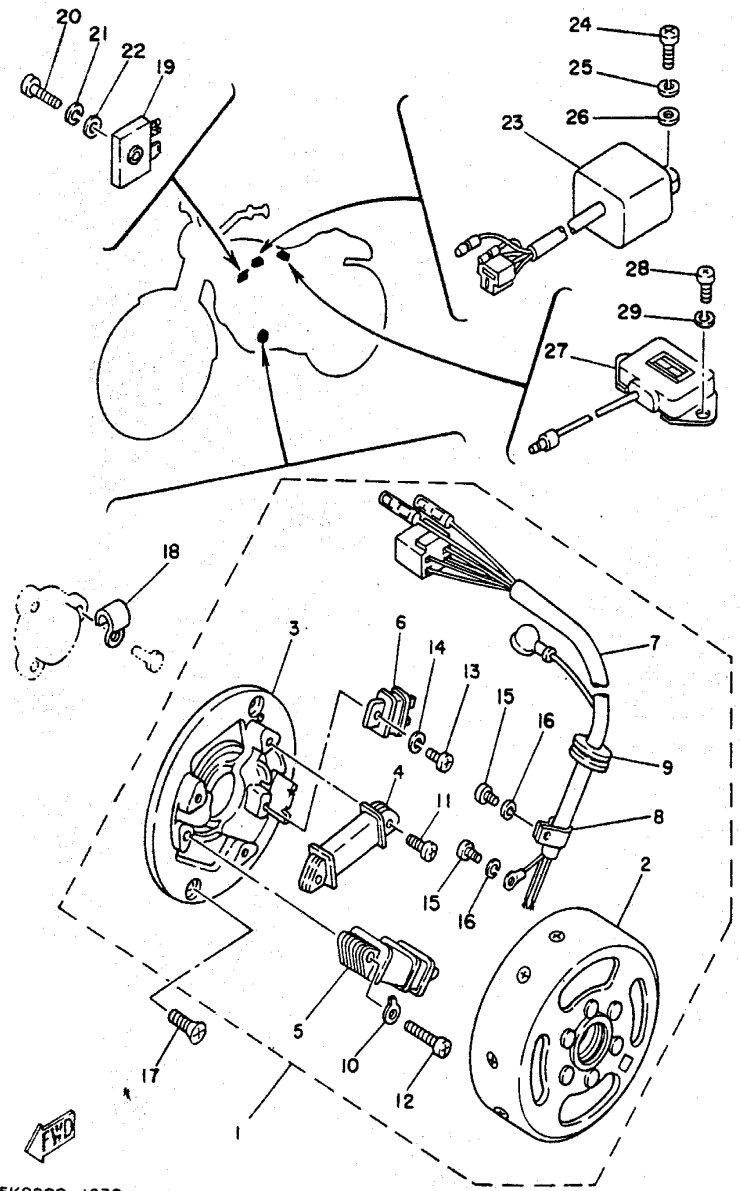


5K9200-1030

FIG. 3 C.D.I MAGNETO

REF. NO.	PART NO.	DESCRIPTION	Q'TY	REMARKS
1	11L-85500-M0	C.D.I. MAGNETO ASSY	1	
2	11L-85550-M0	•ROTOR ASSY	1	
3	3M5-85561-M1	•BASE, magneto	1	
4	14L-85520-M0	•COIL, charge	1	
5	3M5-81313-M0	•COIL, lighting 1	1	
6	4U5-85580-M0	•COIL, Pulser	1	
7	3M5-8131X-M0	•CORD ASSY	1	
8	90461-05036	•CLAMP	1	
9	90480-16110	•GROMMET	1	
10	2T4-85569-M1	•TERMINAL, earth 2	1	
11	98501-04012	•SCREW, Pan head	2	
12	98501-04025	•SCREW, Pan head	2	
13	98503-04010	•SCREW, Pan head	1	
14	92901-04100	•WASHER, spring	1	
15	98501-04006	•SCREW, Pan head	2	
16	92901-04100	•WASHER, spring	2	
17	92701-06015	SCREW, flat head	2	
18	90462-05012	CLAMP	1	
19	353-81970-63	RECTIFIER ASSY	1	
20	98501-05020	SCREW, Pan head	1	
21	92901-05100	WASHER, spring	1	
22	92901-05600	WASHER, Plate	1	
23	3M5-85540-M1	C.D.I. UNIT ASSY	1	
24	92501-06020	SCREW, Pan head	1	
25	92902-06100	WASHER, spring	1	
26	92902-06600	WASHER	1	
27	3M5-81910-20	VOLTAGE REGULATOR ASS	1	
28	92501-06012	SCREW, Pan head	2	

B5



5K9200-1030

FIG. 3 C.D.I MAGNETO

REF. NO.	PART NO.	DESCRIPTION	Q'TY	REMARKS
29	92901-06100	WASHER, sPring	2	

B6

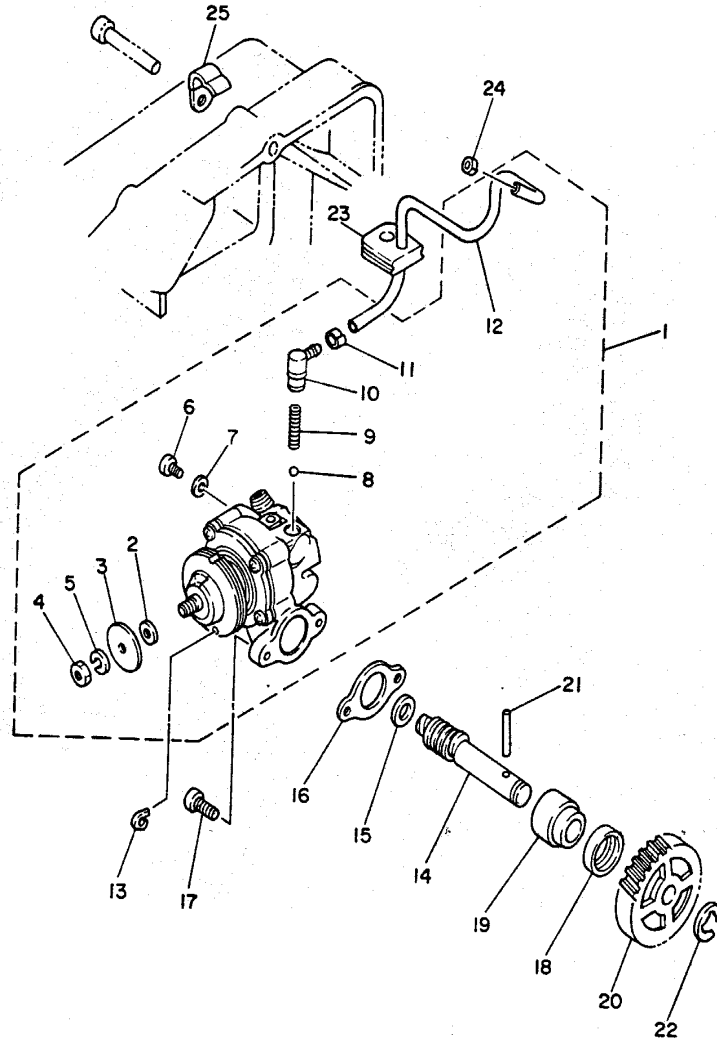


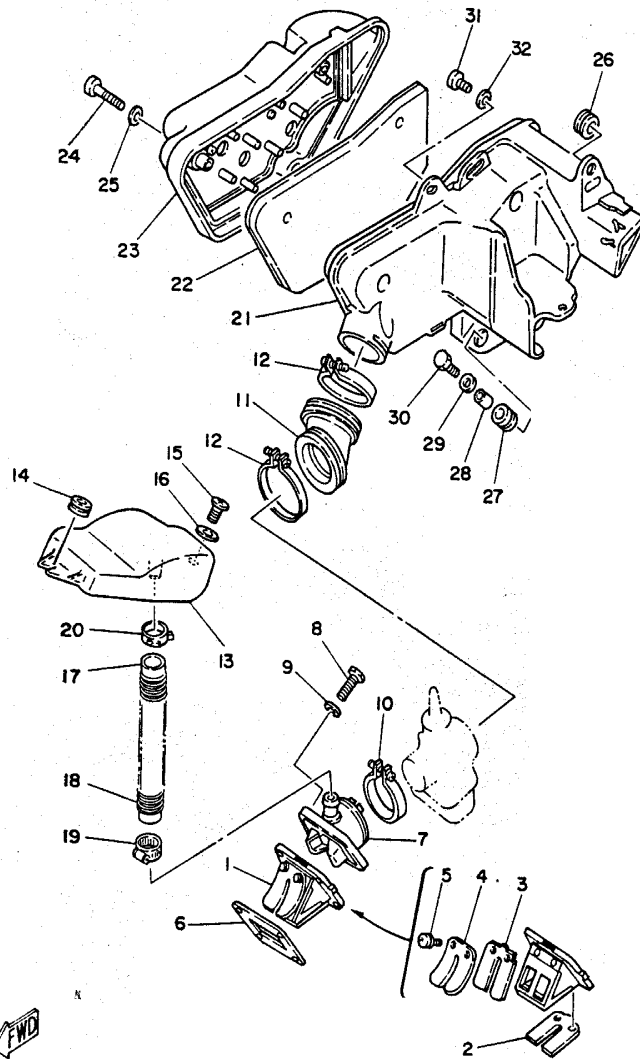
FIG. 4 OIL PUMP

REF. NO.	PART NO.	DESCRIPTION	Q'TY	REMARKS
1	479-13101-01	OIL PUMP ASSY	1	
2	137-13137-00-03	•SHIM (0.3T)	1	UR
	137-13137-00-05	•SHIM (0.5T)	1	UR
	137-13137-00-10	•SHIM (1.0T)	1	UR
3	137-13138-01	•PLATE, adjusting	1	
4	95301-05600	•NUT	1	
5	92901-05100	•WASHER, spring	1	
6	98901-04008	•SCREW, bind	1	
7	90430-04004	•GASKET	1	
8	93505-32002	•BALL	1	
9	278-13169-00	•SPRING, check ball	1	
10	353-13552-01	•NOZZLE	1	
11	90468-02033	•CLIP	1	
12	90445-05266	•HOSE	1	
13	363-13133-01	CLIP	1	
14	214-13175-02	SHAFT, worm	1	
15	90201-08624	WASHER, plate	1	
16	126-13116-00	GASKET, Pump case	1	
17	98501-05016	SCREW, Pan head	2	
18	93101-10002	OIL SEAL	1	
19	137-13176-00	METAL, worm shaft outer	1	
20	248-13178-00	GEAR, drive (28T)	1	
21	93603-22028	PIN, dowel	1	
22	93430-08006	CIRCLIP	1	
23	248-13174-00	HOLDER, oil pipe	1	
24	90468-02033	CLIP	1	
25	90461-10071	CLAMP	1	

4Y2460-1040

B7

FIG. 5 INTAKE



5K9200-1050

REF. NO.	PART NO.	DESCRIPTION	Q'TY	REMARKS
1	4X8-13610-00	REED VALVE ASSY.	1	
2	4X8-13613-10	•REED, valve	1	
3	4X8-13613-20	•REED, valve	1	
4	345-13616-70	•STOPPER, reed valve	2	
5	97602-03108	•SCREW, Pan head with washer	4	
6	314-13621-02	GASKET, valve seat	1	
7	4Y2-13565-00	JOINT, carburetor	1	
8	97301-06025	BOLT	4	
9	92901-06600	WASHER, Plate	4	
10	90460-43053	CLAMP, hose	1	
11	4Y2-14453-00	JOINT, air cleaner 1	1	
12	90460-49058	CLAMP, hose	2	
13	4Y2-13581-00	CHAMBER, air	1	
14	90480-12053	GROMMET	1	
15	92501-06015	SCREW, Pan head	1	
16	90201-06067	WASHER, Plate	1	
17	90445-21552	HOSE	1	
18	90501-20618	SPRING, compression	1	
19	90460-23171	CLAMP, hose	1	
20	90467-20050	CLIP	1	
21	3M5-14401-00	AIR CLEANER CASE ASSY	1	
22	3M5-14451-01	ELEMENT, air cleaner	1	
23	3M5-14402-02	CAP ASSY, air cleaner	1	
24	92501-06040	SCREW, Pan head	3	
25	92901-06200	WASHER, Plain	3	
26	90480-12053	GROMMET	1	
27	90480-14102	GROMMET	1	
28	90387-07390	COLLAR	1	

B8

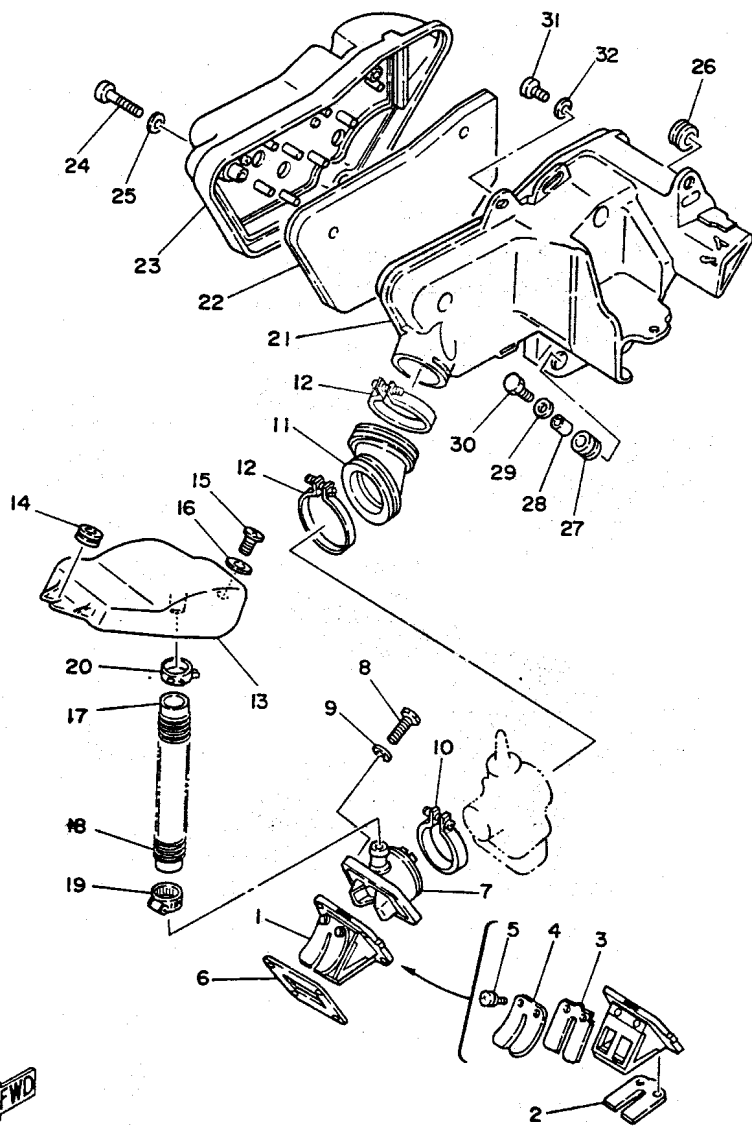


FIG. 5 INTAKE

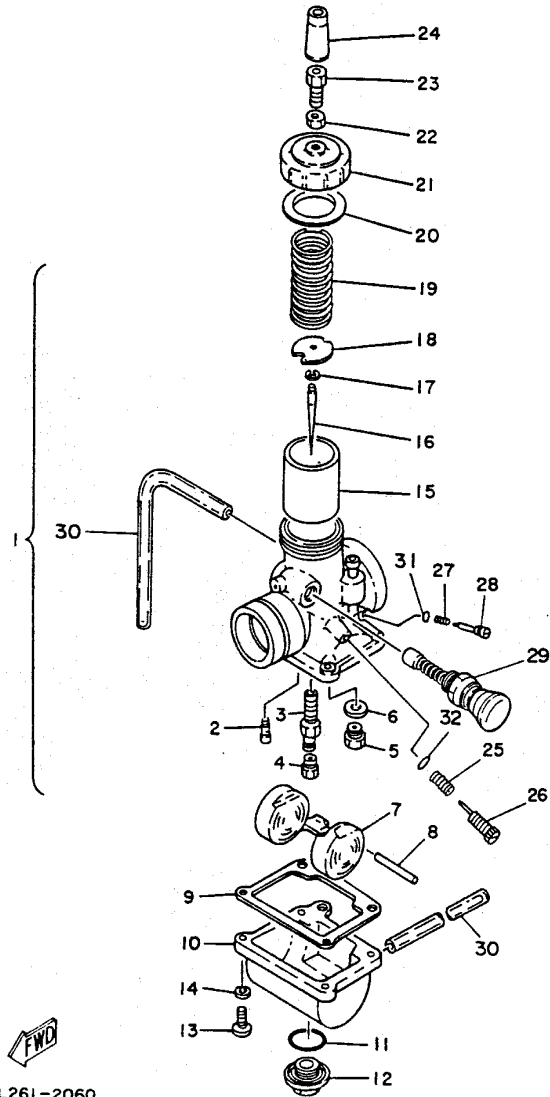
REF. NO.	PART NO.	DESCRIPTION	Q'TY	REMARKS
29	90201-06557	WASHER, Plate	1	
30	97301-06025	BOLT	1	
31	92501-06015	SCREW, Pan head	1	
32	90201-06067	WASHER, Plate	1	



5K9200-1050

B9

FIG. 6 CARBURETOR



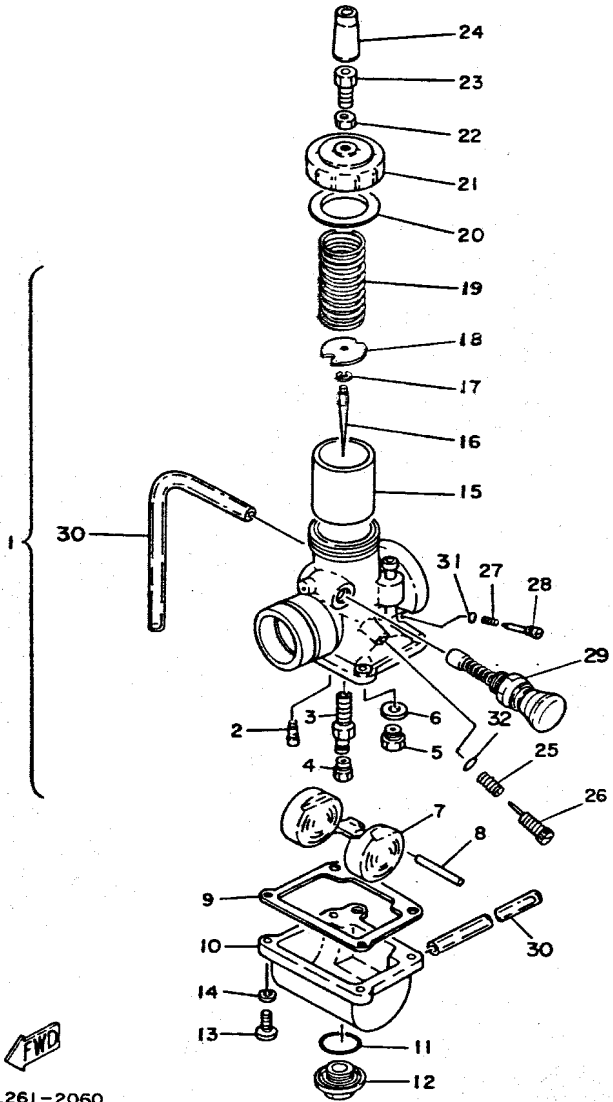
HL261-2060

REF. NO.	PART NO.	DESCRIPTION	Q'TY	REMARKS
1	4Y2-14101-01	CARBURETOR ASSY 1	1	
2	260-14142-25	•JET, Pilot (#25.0)	1	
3	3R1-14141-30	•NOZZLE, main	1	
4	137-14143-30	•JET, main (#150)	1	UR STD
	137-14143-29	•JET, main (#145)	1	UR
	137-14143-31	•JET, main (#155)	1	UR
5	168-14190-25	•NEEDLE VALVE ASSY	1	
6	214-14195-00	•WASHER, needle valv	1	
7	314-14185-00	•FLOAT	1	
8	127-14186-00	•PIN, float	1	
9	304-14184-00	•GASKET, float chamber	1	
10	2Y1-14181-08	•BODY, float chamber 1	1	
11	558-14147-00	•O-RING	1	
12	500-14115-00	•PLUG, screw	1	
13	98501-04016	•SCREW, Pan head	4	
14	92901-04100	•WASHER, sPring	4	
15	314-14112-20	•VALVE, throttle 1	1	
16	452-14116-24	•NEEDLE	1	
17	164-14137-00	•CLIP	1	
18	246-14132-00	•STOPPER, cable	1	
19	2V0-14131-00	•SPRING, throttle valve	1	
20	246-14126-00	•GASKET	1	
21	802-14158-00	•TOP, mixing chamber	1	
22	802-14161-00	•NUT, cable adjusting	1	
23	127-14124-20	•SCREW, cable adjusting	1	
24	307-14169-10	•CAP	1	
25	493-14133-00	•SPRING, throttle stop	1	
26	443-14122-00	•SCREW, throttle	1	

B10

FIG. 6 CARBURETOR

REF. NO.	PART NO.	DESCRIPTION	QTY	REMARKS
27	174-14134-00	.SPRING, air adjusting	1	
28	525-14123-00	.SCREW, air adjusting	1	
29	405-14171-00	.PLUNGER, starter	1	
30	183-14196-00	.PIPE	2	
31	354-14147-00	.O-RING	1	
32	214-14147-00	.O-RING	1	



11L261-2060

B11

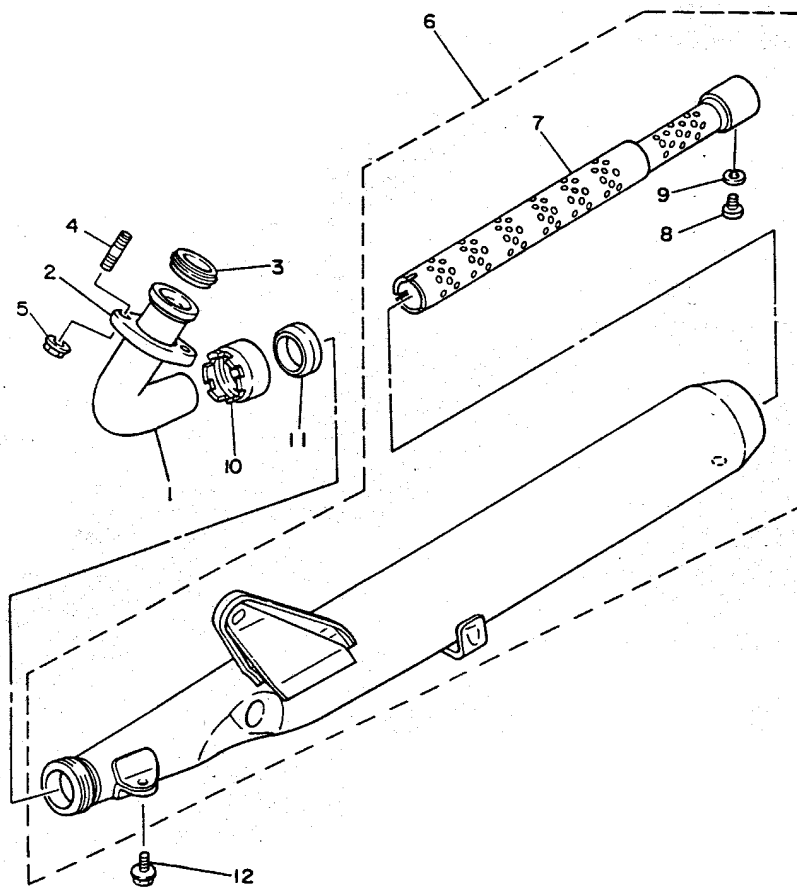


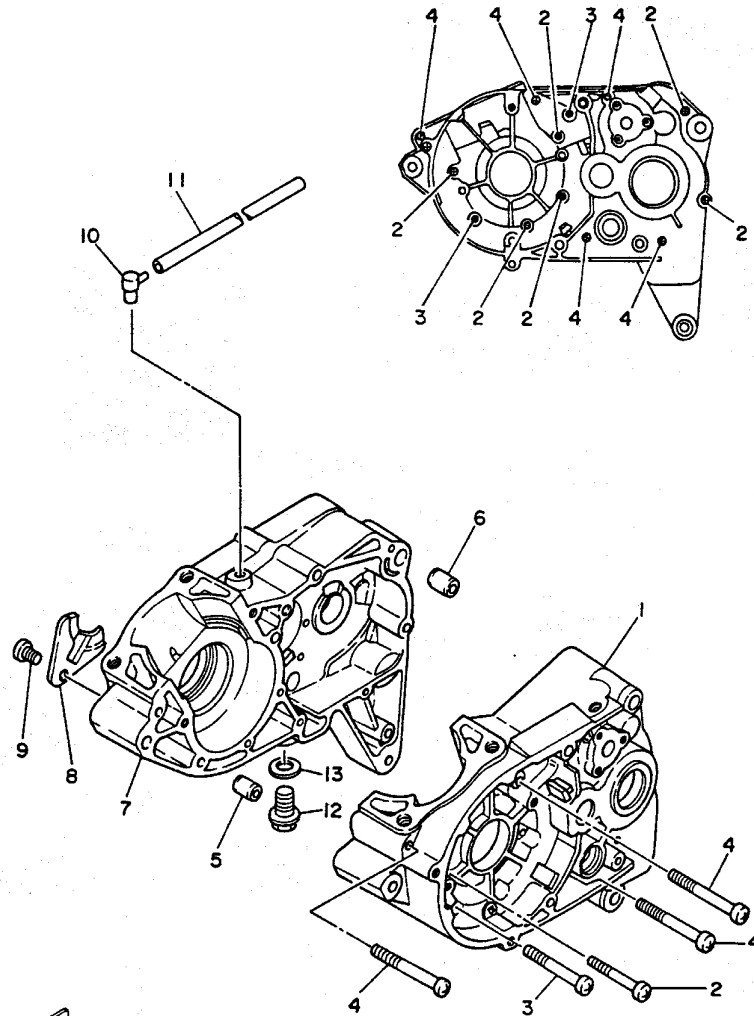
FIG. 7 EXHAUST

REF. NO.	PART NO.	DESCRIPTION	Q'TY	REMARKS
1	5H5-14611-00	PIPE, exhaust 1	1	
2	1V1-14612-00	NUT, ring	1	
3	152-14613-00	GASKET, exhaust Pipe	1	
4	90116-08166	BOLT, stud	2	
5	95701-08100	NUT, flange	2	
6	5K9-14710-00	MUFFLER ASSY 1	1	
7	5H5-14753-00	SILENCER, exhaust	1	
8	92501-06010	SCREW, Pan head	1	
9	92901-06100	WASHER, spring	1	
10	360-14713-00	NUT, muffler joint	1	
11	3M5-14714-01	GASKET, muffler	1	
12	95801-08016	BOLT, flange	1	

13X200-2070

B12

FIG. 8 CRANKCASE

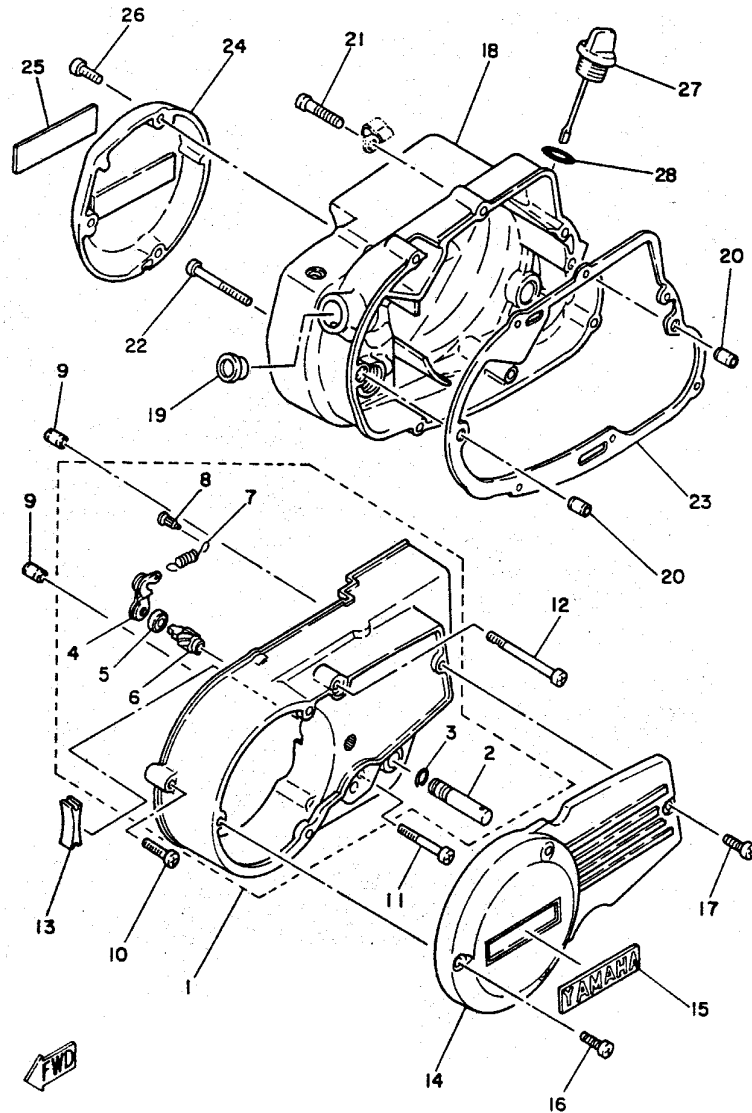


REF. NO.	PART NO.	DESCRIPTION	Q'TY	REMARKS
1	3M5-15111-01	CRANKCASE 1	1	
2	92501-06045	SCREW, Pan head	6	
3	92501-06055	SCREW, Pan head	2	
4	92501-06065	SCREW, Pan head	5	
5	91830-21014	PIN, dowel	1	
6	91830-24016	PIN, dowel	1	
7	4X8-15121-00	CRANKCASE 2	1	
8	304-15128-00	HOLDER	1	
9	92501-08010	SCREW, Pan head	1	
10	498-15371-00	BREATHER	1	
11	90446-07009	HOSE	1	
12	90340-12005	PLUG, straight screw	1	
13	90430-12038	GASKET	1	

3V2200-9080

B13

FIG. 9 CRANKCASE COVER

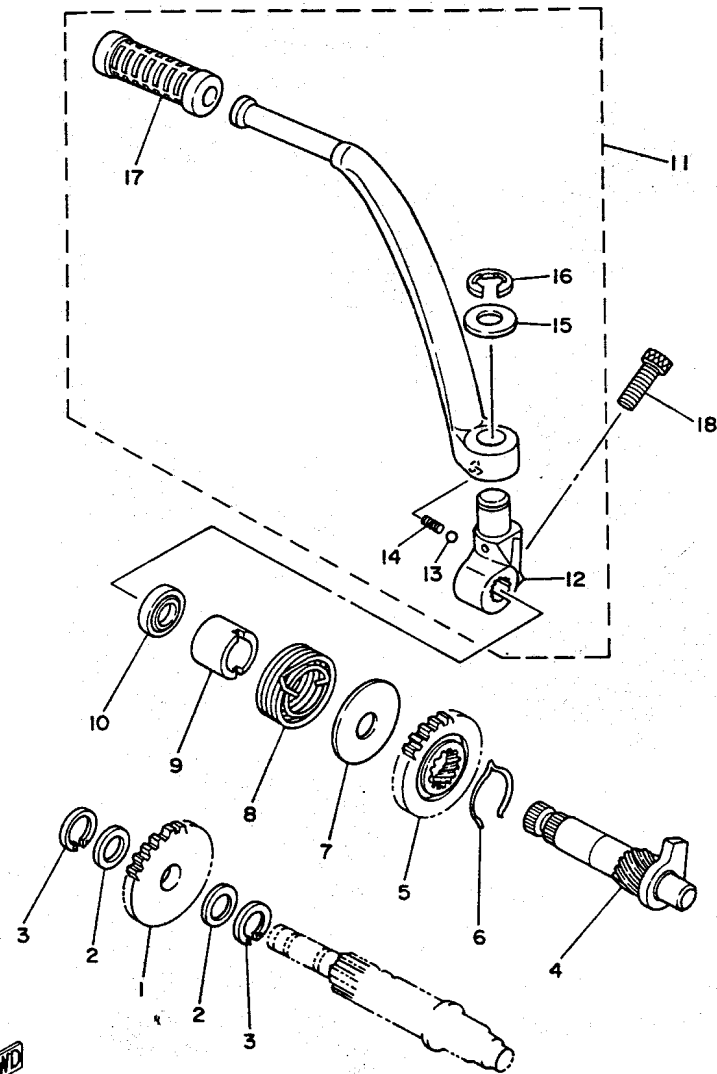


3V2200-9090

REF. NO.	PART NO.	DESCRIPTION	Q'TY	REMARKS
1	4Y2-W1541-00	CRANKCASE COVER ASSY 1	1	
2	307-18188-01	•AXLE, Pawl holder	1	
3	93440-11029	•CIRCLIP	1	
4	3M5-16342-00	•LEVER, Push	1	
5	93104-11028	•OIL SEAL	1	
6	241-16341-01	•SCREW, Push	1	
7	90506-10069	•SPRING, tension	1	
8	132-16346-00	•HOOK, sPring	1	
9	91830-21014	PIN, dowel	2	
10	92501-06030	SCREW, Pan head	2	
11	92501-06045	SCREW, Pan head	1	
12	92501-06065	SCREW, Pan head	1	
13	248-15357-00	GROMMET	1	
14	4Y2-15415-00	COVER, Generator	1	
15	360-15435-00	EMBLEM	1	
16	92501-06025	SCREW, Pan head	3	
17	92501-06015	SCREW, Pan head	1	
18	4Y2-15421-00	COVER, crankcase 2	1	
19	90381-08002	BUSH, solid	1	
20	91830-21014	PIN, dowel	2	
21	92501-06035	SCREW, Pan head	6	
22	92501-06055	SCREW, Pan head	1	
23	4Y2-15451-00	GASKET, crankcase cover	1	
24	4Y2-15416-00	COVER, oil Pump	1	
25	360-15435-00	EMBLEM	1	
26	92501-06015	SCREW, Pan head	3	
27	401-15362-00	PLUG, oil level	1	
28	93210-19123	O-RING	1	

B14

FIG. 10 KICK STARTER

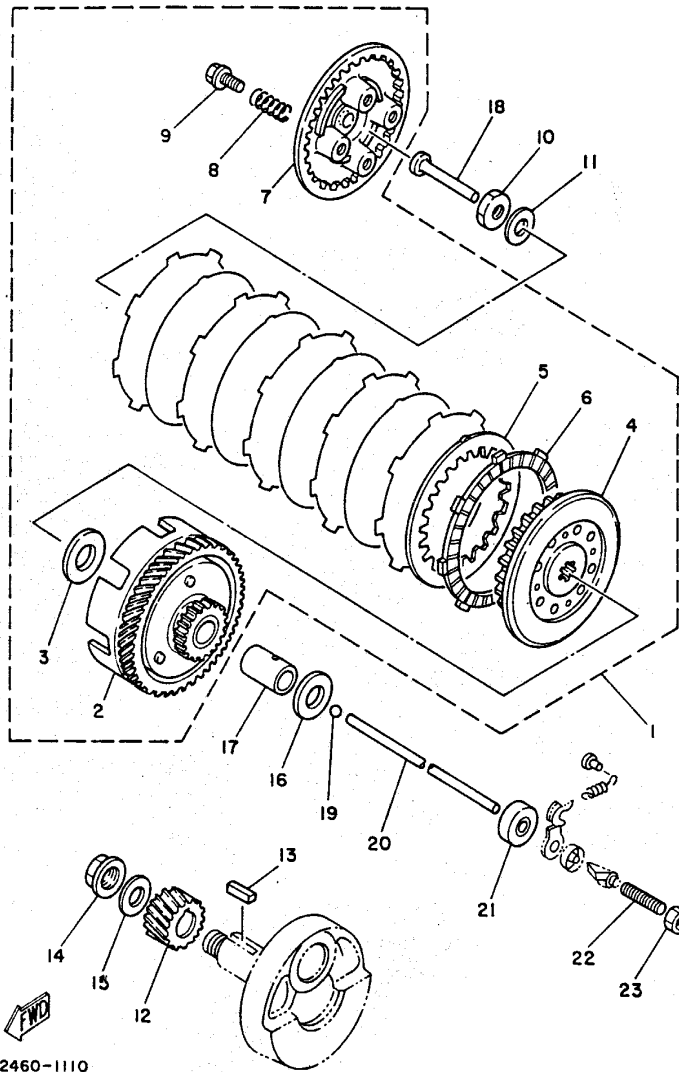


REF. NO.	PART NO.	DESCRIPTION	Q'TY	REMARKS
1	525-15651-00	GEAR, kick idle (25T)	1	
2	137-17417-00-05	SHIM (0.5T)	2	UR
	137-17417-00-06	SHIM 1 (0.6T)	2	UR
	137-17417-00-07	SHIM 1 (0.7T)	2	UR
	137-17417-00-10	SHIM 1 (1.0T)	2	UR
	137-17417-00-12	SHIM 1 (1.2T)	2	UR
3	93440-15012	CIRCLIP	2	
4	4F2-15660-00	KICK AXLE ASSY	1	
5	1W1-15641-00	GEAR, kick (27T)	1	
6	90468-26048	CLIP	1	
7	401-15676-00	COVER, sPring	1	
8	90508-26484	SPRING, torsion	1	
9	4F2-15666-00	SPACER	1	
10	93101-17062	OIL SEAL	1	
11	4X8-15620-00	KICK CRANK ASSY	1	
12	1V1-15621-00	•BOSS, kick crank	1	
13	93507-32009	•BALL	1	
14	90501-12081	•SPRING, comPression	1	
15	90201-15340	•WASHER, Plate	1	
16	93430-10016	•CIRCLIP	1	
17	156-15618-01	•COVER, kick lever	1	
18	91316-08025	BOLT	1	



4Y2460-1100

B15



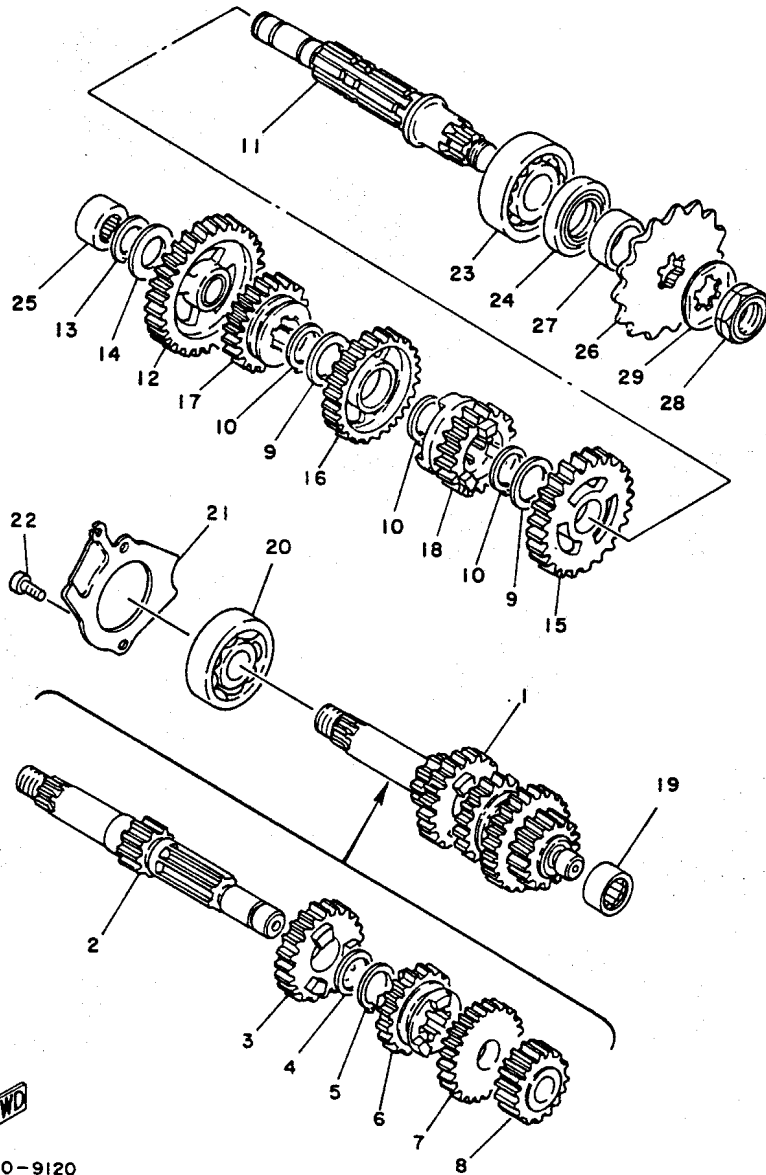
4Y2460-1110

FIG. 11 CLUTCH

REF. NO.	PART NO.	DESCRIPTION	Q'TY	REMARKS
1	4Y2-16300-00	CLUTCH ASSY	1	
2	4Y2-16150-01	•PRIMARY DRIVEN GEAR COMP.	1	
3	131-16154-00	•PLATE, thrust 1	1	
4	4Y2-16371-00	•BOSS, clutch	1	
5	1V1-16324-00	•PLATE, clutch 1	5	
6	1V1-16321-00	•PLATE, friction	6	
7	4Y2-16351-01	•PLATE, Pressure 1	1	
8	90501-20568	•SPRING, compression	4	
9	90119-05020	•BOLT, with washer	4	
10	90170-12060	NUT	1	
11	90208-12015	WASHER, conical spring	1	
12	401-16111-00-30	GEAR, Primary drive	1	
13	90282-05005	KEY, straight	1	
14	90179-12244	NUT	1	
15	90208-12015	WASHER, conical spring	1	
16	90201-17558	WASHER, Plate	1	
17	90560-17147	SPACER	1	
18	137-16356-00	ROD, Push 1	1	
19	93503-16010	BALL	1	
20	560-16357-00	ROD, Push 2	1	
21	93109-05022	OIL SEAL	1	
22	90113-06042	BOLT, set	1	
23	95301-06600	NUT	1	

C2

FIG. 12 TRANSMISSION

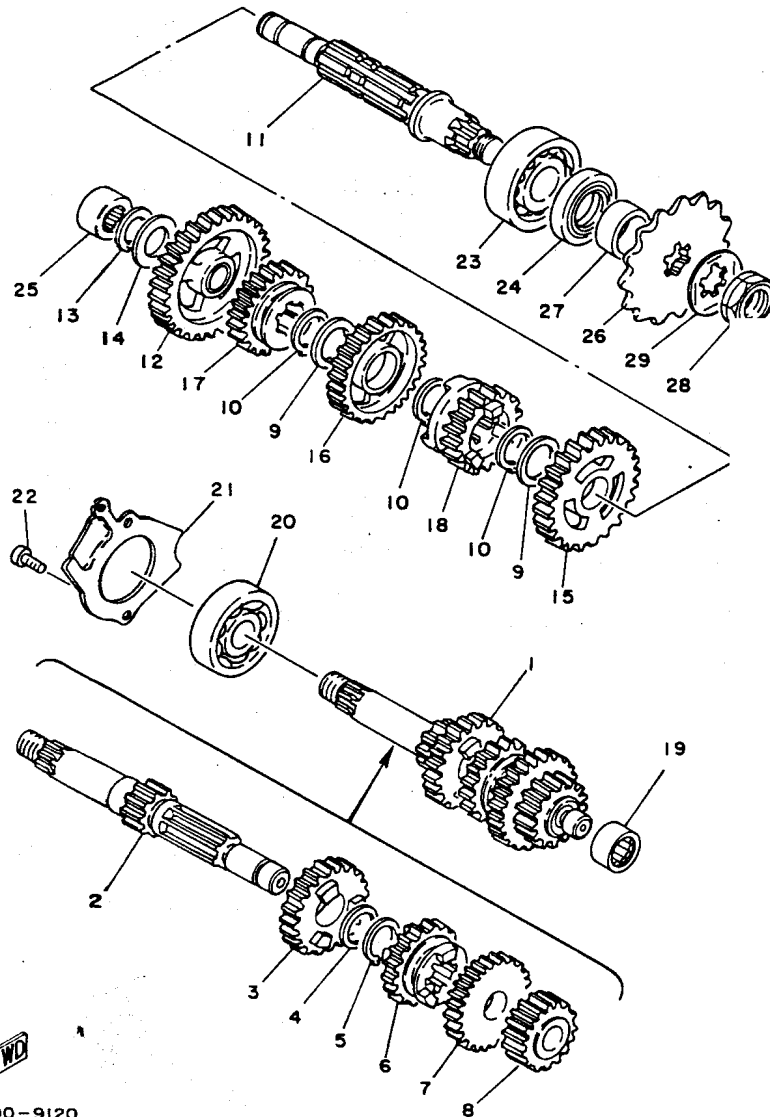


REF. NO.	PART NO.	DESCRIPTION	Q'TY	REMARKS
1	3M5-17410-00	MAIN AXLE COMP.	1	
2	1V1-17411-10	AXLE, main	1	
3	3M5-17141-00	GEAR, 4th Pinion	1	
4	90201-20266	WASHER, Plate	1	
5	93410-20038	CIRCLIP	1	
6	3M5-17131-00	GEAR, 3rd Pinion	1	
7	3M5-17151-01	GEAR, 5th Pinion	1	
8	427-17121-01	GEAR, 2nd Pinion (16T)	1	
9	90201-20266	WASHER, Plate	2	
10	93410-20038	CIRCLIP	3	
11	558-17421-00	AXLE, drive	1	
12	3M5-17211-01	GEAR, 1st wheel	1	
13	93440-15012	CIRCLIP	1	
14	164-17427-00-06	SHIM (0.6T)	1	
15	3M5-17221-00	GEAR, 2nd wheel	1	
16	3M5-17231-00	GEAR, 3rd wheel	1	
17	3M5-17241-00	GEAR, 4th wheel	1	
18	3M5-17251-00	GEAR, 5th wheel	1	
19	93311-31515	BEARING, cylindrical	1	
20	93306-30303	BEARING (B6303Z)	1	
21	1G8-17471-00	PLATE, cover	1	
22	92501-06012	SCREW, Pan head	2	
23	93306-30401	BEARING (B6304)	1	
24	93102-26042	OIL SEAL	1	
25	93311-31515	BEARING, cylindrical	1	
26	174-17461-50	SPROCKET, drive (15T)	1	UR STD
	174-17461-40	SPROCKET, drive (14T)	1	UR
	174-17461-60	SPROCKET, drive (16T)	1	UR

3V2200-9120

C3

FIG. 12 TRANSMISSION



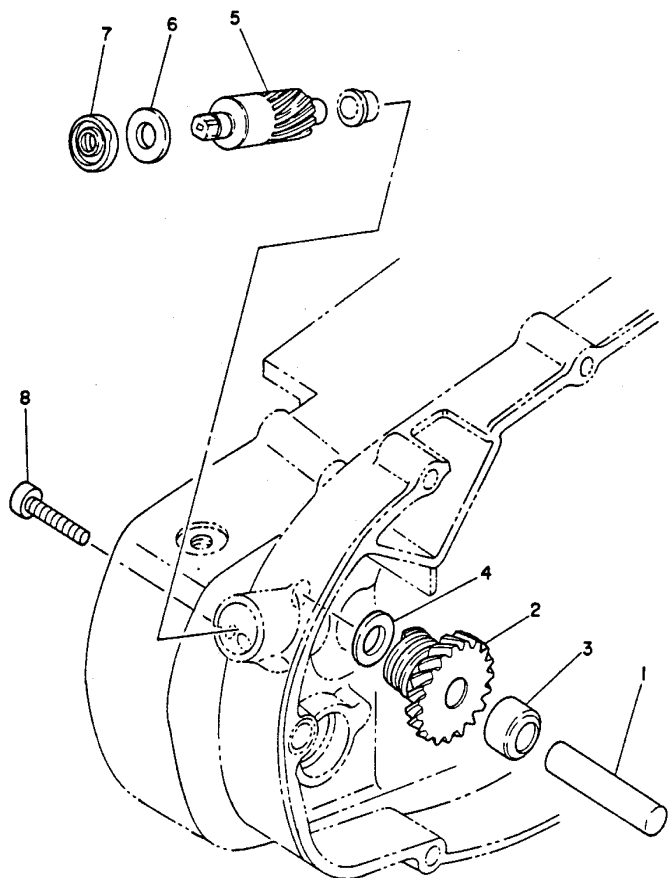
REF. NO.	PART NO.	DESCRIPTION	Q'TY	REMARKS
27	90387-20491	COLLAR	1	
28	90179-16226	NUT	1	
29	90215-16127	WASHER, lock	1	

3V2200-9120

C4

FIG. 13 TACHOMETER GEAR

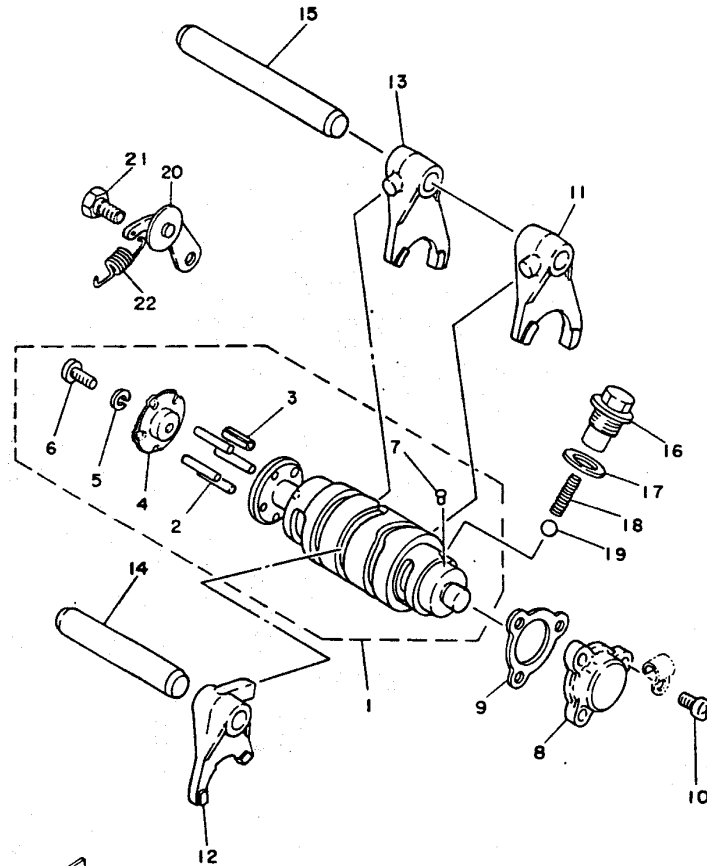
REF. NO.	PART NO.	DESCRIPTION	Q'TY	REMARKS
1	248-17861-00	AXLE, drive gear	1	
2	443-17831-01	GEAR, drive	1	
3	90387-10087	COLLAR	1	
4	248-17837-00	SHIM	1	
5	1V1-17841-00	GEAR, driven (15T)	1	
6	102-18137-00-10	WASHER 1	1	
7	93109-08017	OIL SEAL	1	
8	92501-06025	SCREW, Pan head	1	



3V2200-9130

C5

FIG. 14 SHIFT CAM FORK

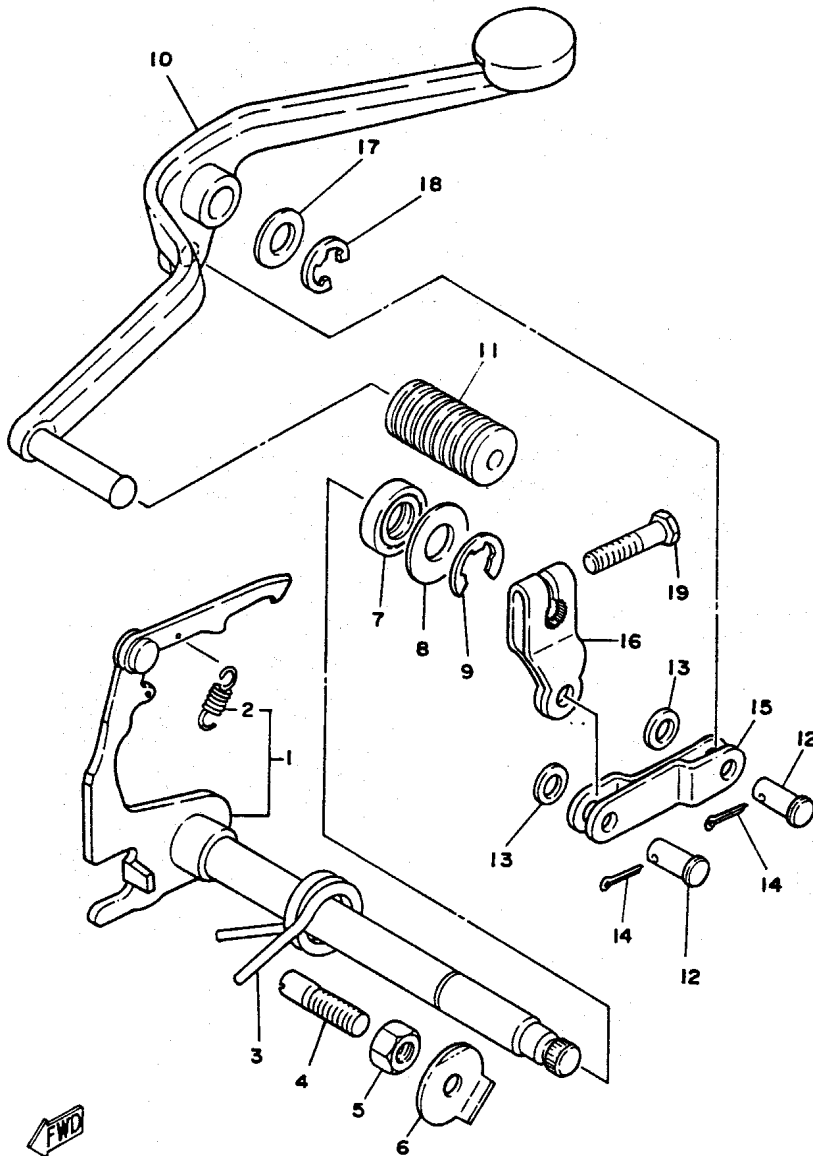


REF. NO.	PART NO.	DESCRIPTION	Q'TY	REMARKS
1	3M5-18540-01	SHIFT CAM ASSY	1	
2	93604-22050	.PIN, dowel	4	
3	91609-50016	.PIN, sPrinG	1	
4	164-18561-00	.PLATE, side 1	1	
5	92901-05100	.WASHER, sPrinG	1	
6	98501-05012	.SCREW, Pan head	1	
7	136-18542-00	.POINT, neutral	1	
8	164-18589-00	PLUG, blind	1	
9	4Y2-18579-00	GASKET, Plug blind	1	
10	92501-06010	SCREW, Pan head	3	
11	3M5-18511-00	FORK, shift 1	1	
12	3M5-18512-00	FORK, shift 2	1	
13	3M5-18513-00	FORK, shift 3	1	
14	2A6-18531-00	BAR, shift fork Guide 1	1	
15	2A6-18535-00	BAR, shift fork Guide 2	1	
16	90109-14385	BOLT	1	
17	137-15353-00	GASKET, drain	1	
18	90501-10353	SPRING, comPrission	1	
19	93505-16006	BALL	1	
20	3M5-18140-00	STOPPER LEVER ASSY	1	
21	90109-06001	BOLT	1	
22	90506-09112	SPRING, tension	1	

5K9200-1140

C6

FIG. 15 SHIFT SHAFT.PEDAL

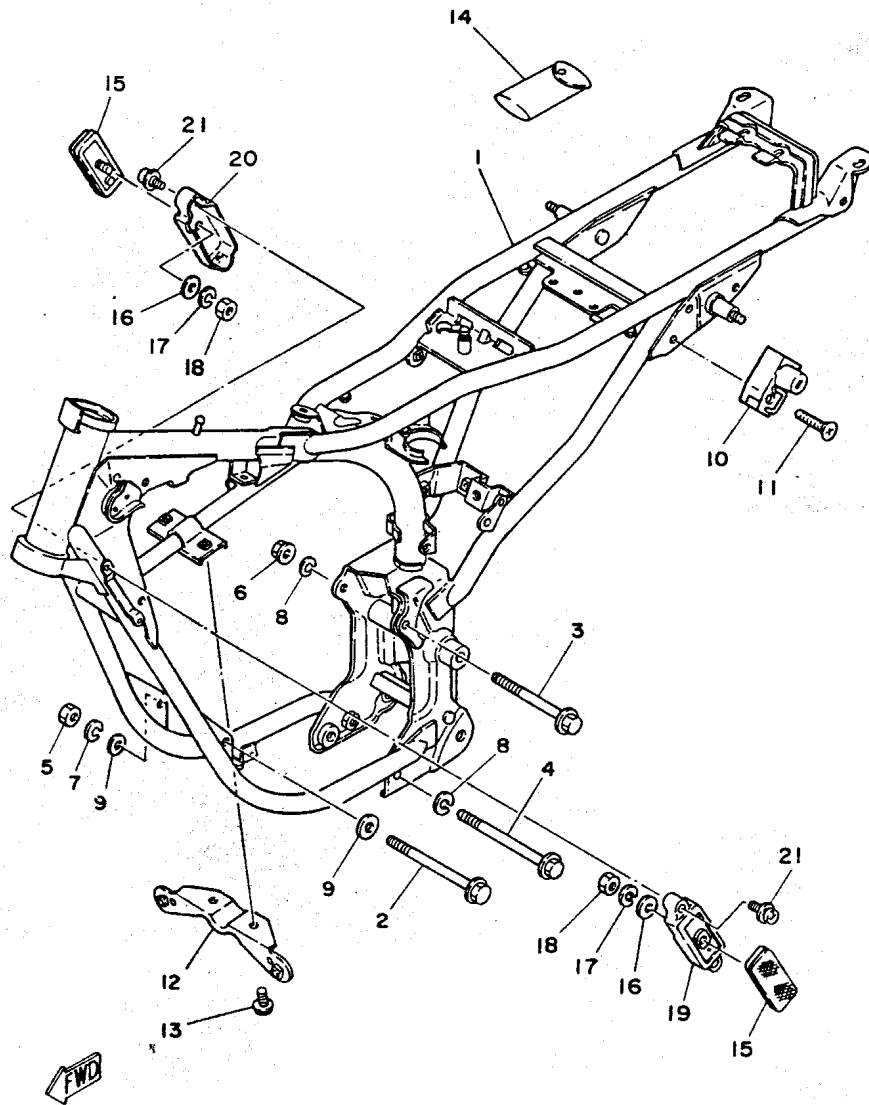


REF. NO.	PART NO.	DESCRIPTION	Q'TY	REMARKS
1	3M5-18101-00	SHIFT SHAFT ASSY	1	
2	90506-08122	SPRING, tension	1	
3	90508-32263	SPRING, torsion	1	
4	90149-08094	SCREW	1	
5	90170-08029	NUT	1	
6	90215-08014	WASHER, lock	1	
7	93109-14005	OIL SEAL	1	
8	90201-14586	WASHER, Plate	1	
9	93430-12009	CIRCLIP	1	
10	3M5-18111-00	PEDAL, shift	1	
11	132-18113-01	COVER, shift Pedal	1	
12	90240-08053	PIN, clevis	2	
13	90201-08085	WASHER, Plate	2	
14	91401-16012	PIN, cotter	2	
15	336-18115-00	ROD, shift	1	
16	307-18112-00-93	ARM, shift	1	chrome-Plated
17	90201-122H2	WASHER, Plate	1	
18	93430-10016	CIRCLIP	1	
19	97321-06020	BOLT	1	

13X200-2150

C7

FIG. 16 FRAME. TOOL

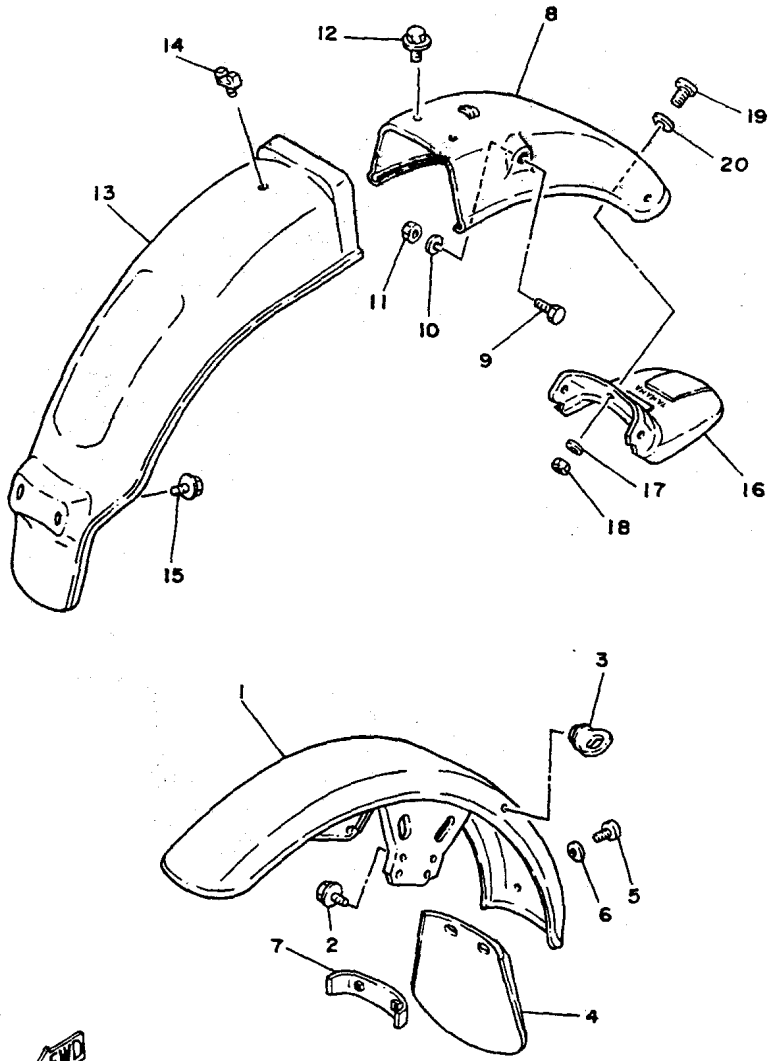


11L261-2160

C8

REF. NO.	PART NO.	DESCRIPTION	Q'TY	REMARKS
1	11L-21110-01-33	FRAME COMP	1	yamaha black
2	90105-08099	BOLT, washer based	1	
3	90105-10039	BOLT, washer based	1	
4	90105-10040	BOLT, washer based	1	
5	90179-08065	NUT	1	
6	95701-10100	NUT, flange	1	
7	92901-08100	WASHER, spring	1	
8	92901-10100	WASHER, spring	2	
9	90209-08050	WASHER	2	
10	4X8-21308-00	HELMET HANGER ASSY	1	
11	92701-06030	SCREW, flat head	1	
12	4Y2-21343-01	BRACKET, horn	1	
13	95806-08012	BOLT, flange	2	
14	1E7-28100-10	TOOL KIT	1	
15	4X8-85111-00	REFLECTOR, front 1	2	
16	92902-05200	WASHER	2	
17	92902-05100	WASHER, spring	2	
18	95302-05600	NUT	2	
19	4Y2-85127-00	BASE, reflector	1	
20	4Y2-85127-10	BASE, reflector	1	
21	90159-04053	SCREW, with washer	4	

FIG. 17 FRONT FENDER-REAR FENDER



REF. NO.	PART NO.	DESCRIPTION	Q'TY	REMARKS
1	11L-21510-00-93	FRONT FENDER COMP.	1	chrome-Plated
2	95821-08016	BOLT, flange	4	
3	1A0-21518-00	HOLDER, cable	1	
4	290-21521-01	FLAP, front fender	1	
5	98501-05012	SCREW, Pan head	2	
6	92901-05600	WASHER, Plate	2	
7	4X8-21522-00	BAND, flap	1	
8	5K9-21610-00-93	REAR FENDER COMP.	1	chrome-Plated
9	97301-08020	BOLT	2	
10	92901-08100	WASHER, spring	2	
11	95301-08600	NUT	2	
12	95801-06012	BOLT, flange	2	
13	1V1-21629-00	GUARD, mud	1	
14	90464-08020	CLAMP	1	
15	90119-06056	BOLT, with washer	2	
16	4X8-21621-00	FLAP	1	
17	90201-05036	WASHER, Plate	3	
18	95301-05600	NUT	3	
19	98501-05016	SCREW, Pan head	3	
20	92901-05600	WASHER, Plate	3	

FWD
13X200-2170

C9

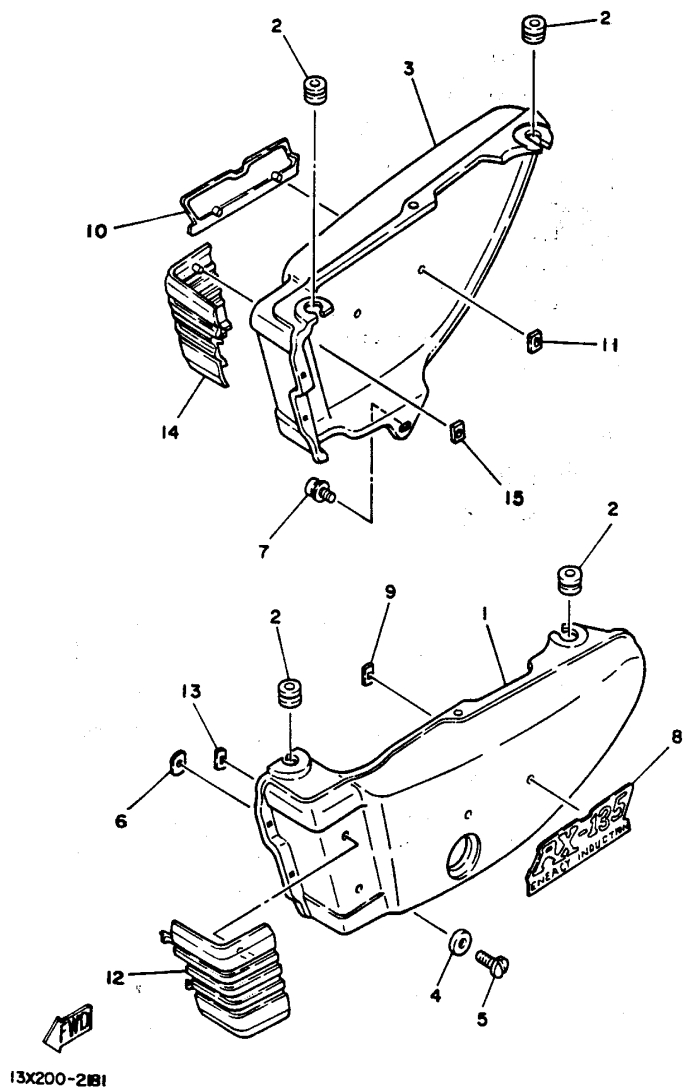
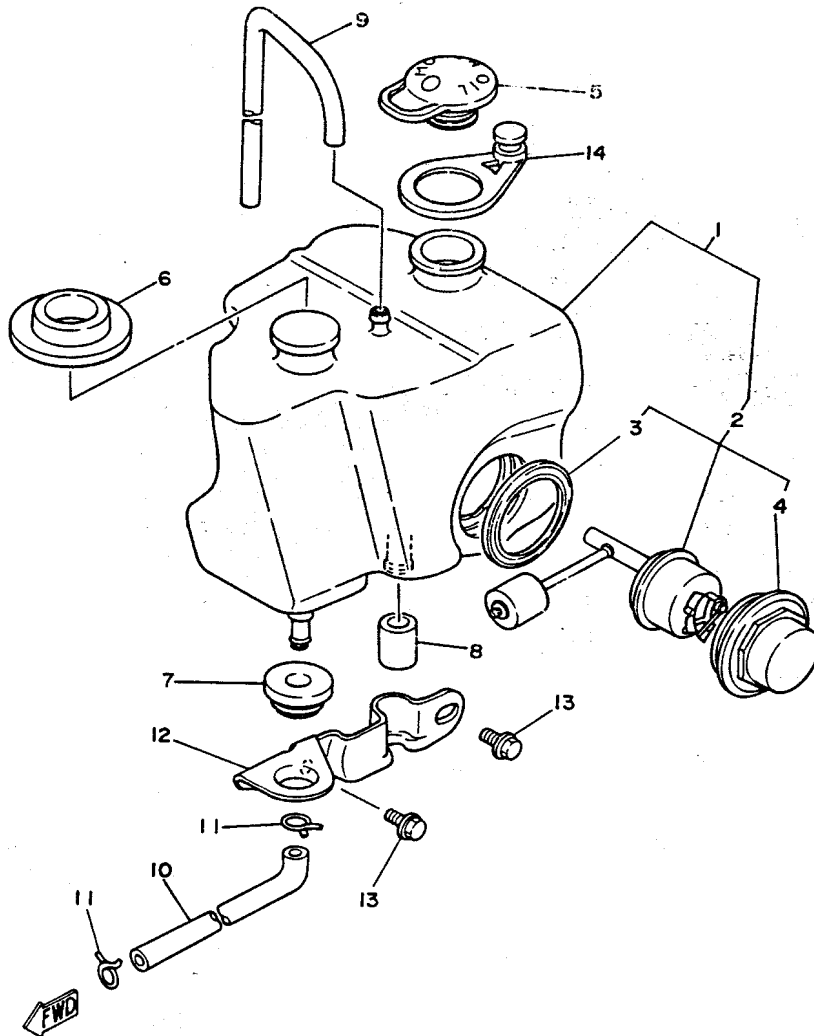


FIG. 18 SIDE COVER

REF. NO.	PART NO.	DESCRIPTION	Q'TY	REMARKS
1	5K9-21711-00-2L	COVER, side 1	1	UR caribbean blue
	5K9-21711-00-6G	COVER, side 1	1	UR new yamaha black
	5K9-21711-00-63	COVER, side 1	1	UR brilliant red
2	90480-12053	GROMMET	4	
3	5K9-21721-00-2L	COVER, side 2	1	UR caribbean blue
	5K9-21721-00-6G	COVER, side 2	1	UR new yamaha black
	5K9-21721-00-63	COVER, side 2	1	UR brilliant red
4	90201-06067	WASHER, Plate	1	
5	90146-06009	SCREW, oval fillister	1	
6	90179-06264	NUT	1	
7	90159-06033	SCREW, Pan head	1	
8	5K9-21781-00	EMBLEM 1	1	
9	90183-04012	NUT, sPrinG	2	
10	5K9-21782-00	EMBLEM 2	1	
11	90183-04012	NUT, sPrinG	2	
12	3M5-21783-01	EMBLEM 3	1	
13	90183-06018	NUT, sPrinG	2	
14	3M5-21784-01	EMBLEM 4	1	
15	90183-06018	NUT, sPrinG	2	

C10

FIG. 19 OIL TANK

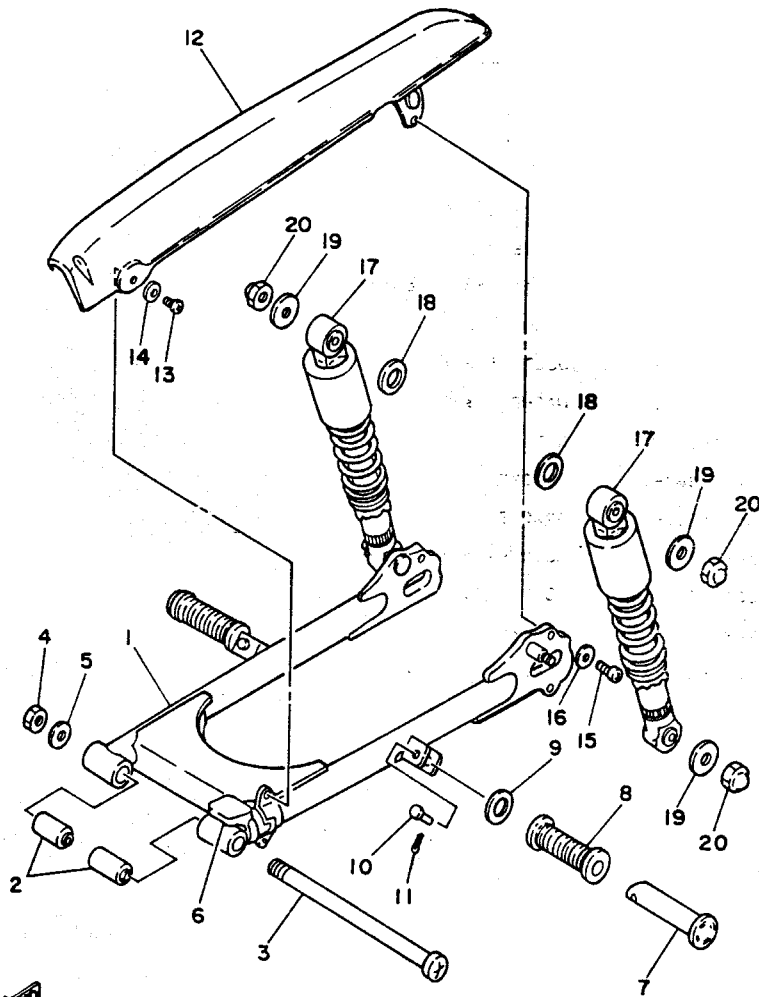


REF. NO.	PART NO.	DESCRIPTION	Q'TY	REMARKS
1	1Y8-21750-01	OIL TANK ASSY	1	
2	1V1-21761-02	GAUGE, level	1	
3	2N3-21763-01	GASKET, level gauge	1	
4	2N3-21764-00	LENS, level gauge	1	
5	1T9-21771-00	BODY, cap	1	
6	90385-24028	BUSH	1	
7	90480-18171	GROMMET	1	
8	90385-08029	BUSH	1	
9	4X8-21745-00	PIPE, oil tank breather	1	
10	90445-09107	HOSE	1	
11	90467-08003	CLIP	2	
12	1V1-21155-00	BRACKET, oil tank	1	
13	95801-06012	BOLT, flange	2	
14	1V1-21776-00	BAND, tank fitting	1	

5J9210-1190

C11

FIG. 20 REAR ARM SUSPENSION

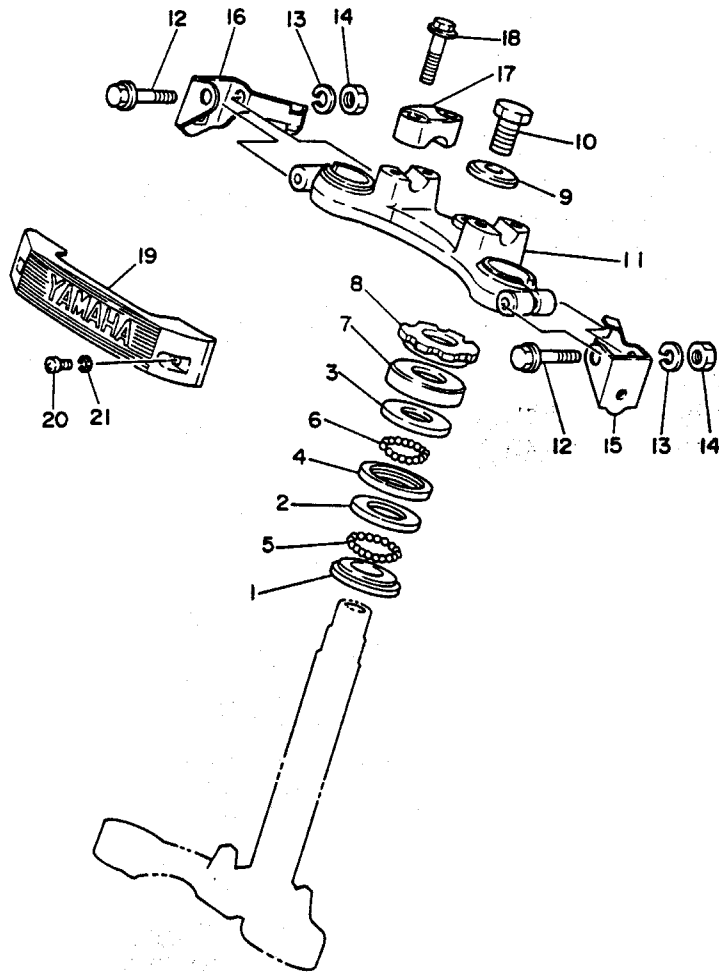


REF. NO.	PART NO.	DESCRIPTION	Q'TY	REMARKS
1	5K9-22110-00	REAR ARM COMP.	1	
2	307-22123-00	BUSH 1	2	
3	234-22141-00	SHAFT, Pivot	1	
4	90185-12046	NUT	1	
5	92901-12200	WASHER, Plain	1	
6	173-22151-00	SEAL, Guard	1	
7	465-27431-00	FOOTREST, rear	2	
8	120-27433-00	COVER, rear footrest	2	
9	90201-20279	WASHER, Plate	2	
10	90240-06052	PIN, clevis	2	
11	91401-16012	PIN, cotter	2	
12	1V1-22311-01-93	CASE, chain	1	chrome-Plated
13	92501-06012	SCREW, Pan head	1	
14	92901-06600	WASHER, Plate	1	
15	92501-06015	SCREW, Pan head	1	
16	92901-06600	WASHER, Plate	1	
17	1V1-22210-02-93	SHOCK ABSORBER ASSY, rear	2	chrome-Plated
18	90201-14218	WASHER, Plate	2	
19	90201-10141	WASHER, Plate	4	
20	90176-10013	NUT, crown	4	

5K9200-1200

C12

FIG. 21 STEERING



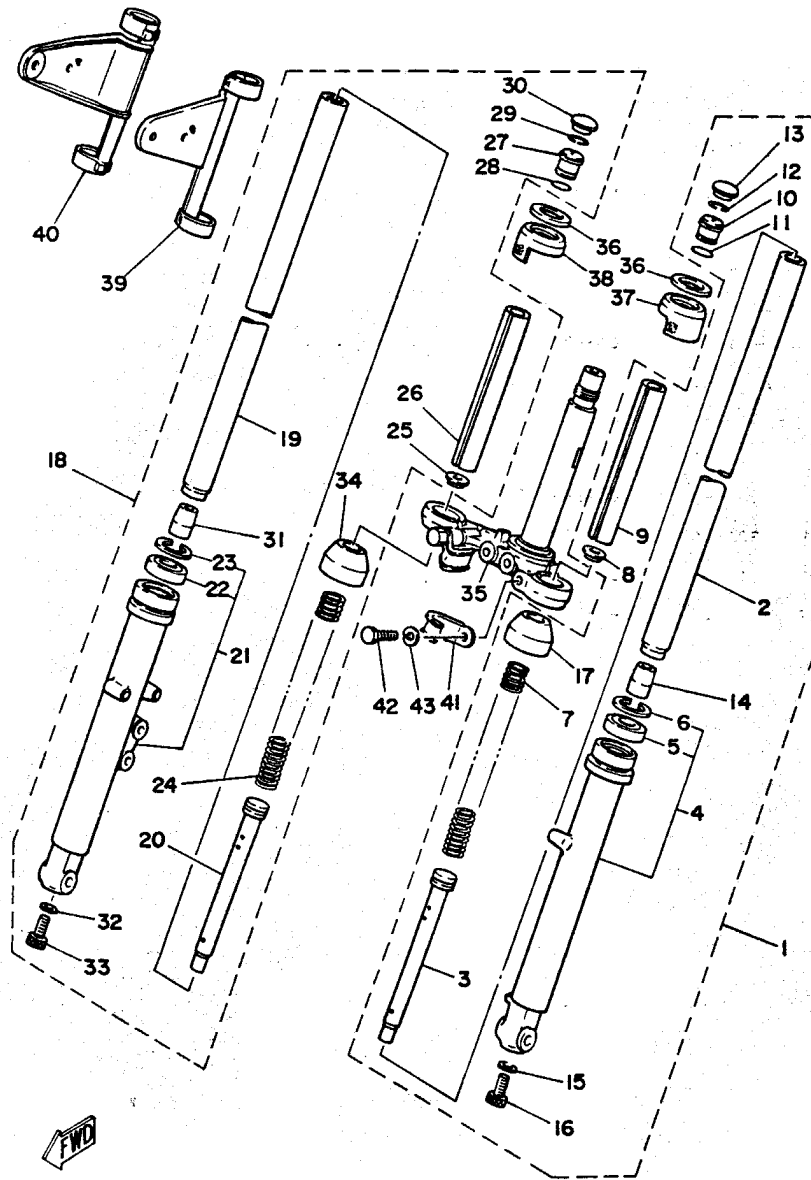
REF. NO.	PART NO.	DESCRIPTION	Q'TY	REMARKS
1	156-23412-00	RACE, ball 2	1	
2	156-23411-00	RACE, ball 1	1	
3	122-23411-00	RACE, ball 1	1	
4	122-23412-00	RACE, ball 2	1	
5	93501-04011	BALL	19	
6	93503-16010	BALL	22	
7	122-23416-00	COVER, ball race 2	1	
8	90179-25033	NUT	1	
9	90209-10020	WASHER	1	
10	90105-10006	BOLT, washer based	1	
11	1V1-23435-00-98	CROWN, handle	1	low gloss black
12	95801-08055	BOLT, flange	2	
13	92901-08100	WASHER, spring	2	
14	95301-08600	NUT	2	
15	13X-2836A-00	BRACKET 1	1	
16	13X-2836E-00	BRACKET 3	1	
17	1E6-23441-00-98	HOLDER, handle upper	2	
18	95821-08035	BOLT, flange	4	
19	4N4-23395-00	EMBLEM	1	
20	98506-05010	SCREW, Pan head	2	
21	92906-05200	WASHER, Plain	2	



13X200-2210

C13

FIG. 22 FRONT FORK

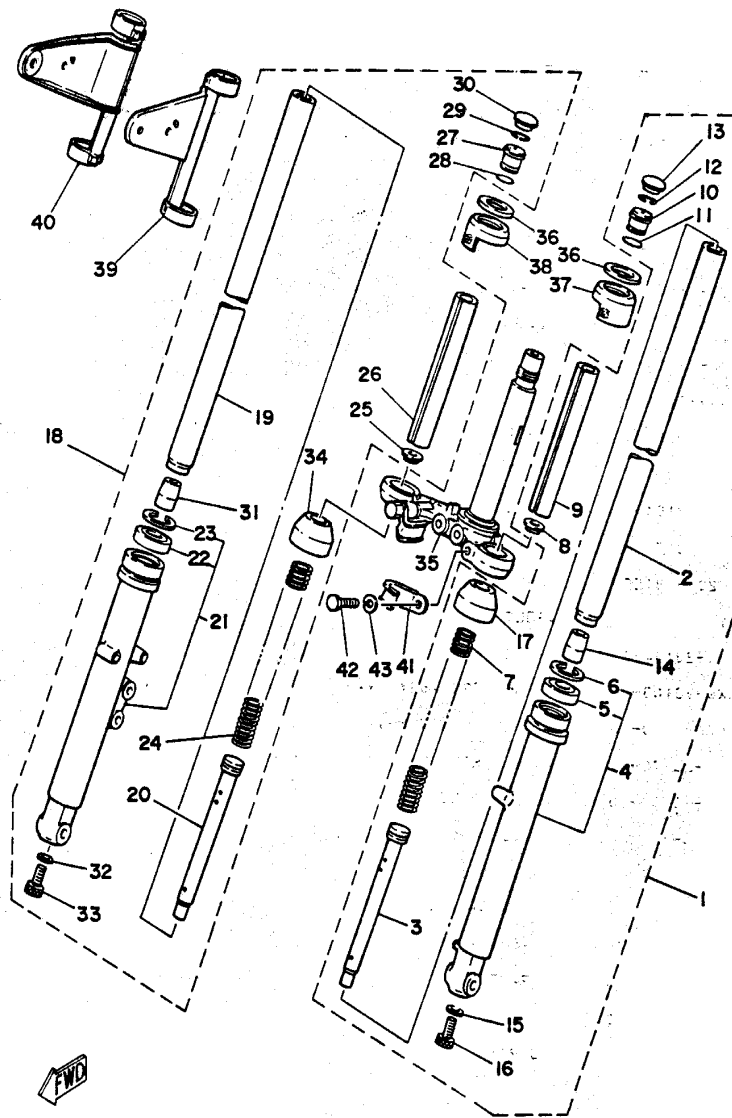


REF. NO.	PART NO.	DESCRIPTION	Q'TY	REMARKS
1	5K9-23102-00	FRONT FORK ASSY (L.H)	1	
2	5K9-23110-00	.INNER TUBE COMP.1	1	
3	5H5-23170-00	.CYLINDER COMP., front fork	1	
4	5H5-23106-00	.OUTER TUBE COMP. (L.H)	1	
5	93110-30008	..OIL SEAL	1	
6	93450-43072	..CIRCLIP	1	
7	5K9-23141-00	.SPRING, front fork	1	
8	90201-151E7	.WASHER, Plate	1	
9	5H5-23118-00	.SPACER	1	
10	5H5-23111-00	.BOLT, caP	1	
11	93210-21276	.O-RING	1	
12	93450-27071	.CIRCLIP	1	
13	5H5-23154-00	.PLUG, inner tube	1	
14	5H5-23173-00	.SPINDLE, taper	1	
15	90201-081E6	.WASHER, Plate	1	
16	91311-08025	.BOLT	1	
17	5H0-23144-00	.SEAL, dust	1	
18	5K9-23103-00	FRONT FORK ASSY (R.H)	1	
19	5K9-23110-00	.INNER TUBE COMP.1	1	
20	5H5-23170-00	.CYLINDER COMP., front fork	1	
21	5H5-23107-00	.OUTER TUBE COMP. (R.H)	1	
22	93110-30008	..OIL SEAL	1	
23	93450-43072	..CIRCLIP	1	
24	5K9-23141-00	.SPRING, front fork	1	
25	90201-151E7	.WASHER, Plate	1	
26	5H5-23118-00	.SPACER	1	
27	5H5-23111-00	.BOLT, caP	1	
28	93210-21276	.O-RING	1	

11L261-2220

C14

FIG. 22 FRONT FORK

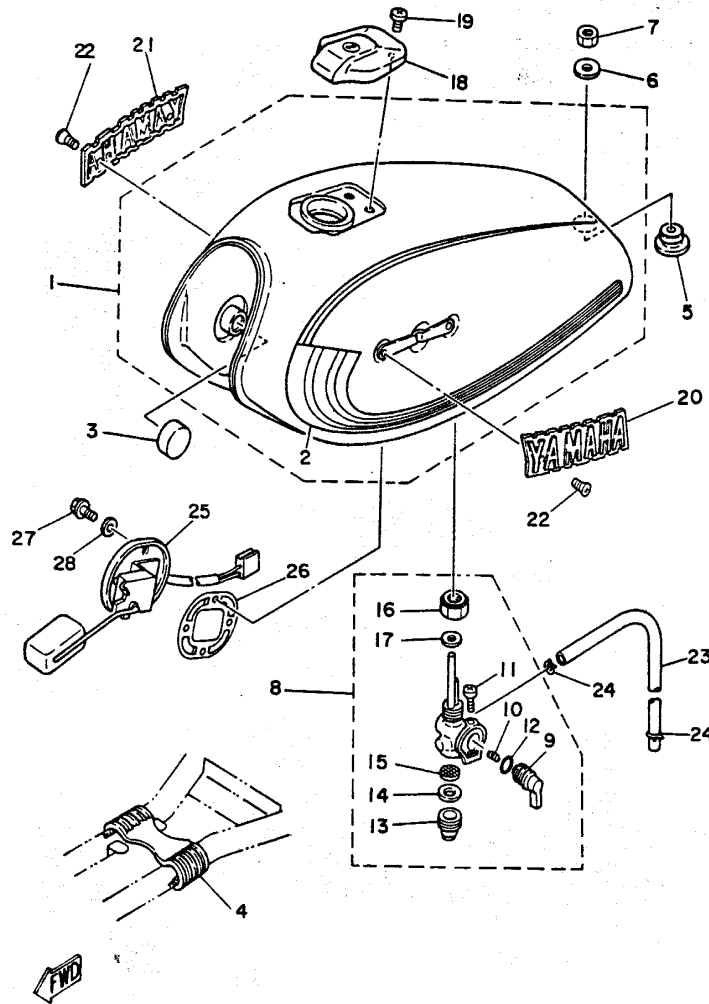


11L261-2220

C15

REF. NO.	PART NO.	DESCRIPTION	Q'TY	REMARKS
29	93450-27071	•CIRCLIP	1	
30	5H5-23154-00	•PLUG, inner tube	1	
31	5H5-23173-00	•SPINDLE, taPer	1	
32	90201-081E6	•WASHER, Plate	1	
33	91311-08025	•BOLT	1	
34	5H0-23144-00	•SEAL, dust	1	
35	5K9-23340-00	UNDER BRACKET COMP.	1	
36	90430-31162	GASKET	2	
37	11L-23122-00	COVER, outer 1	1	
38	11L-23132-00	COVER, outer 2	1	
39	11L-23121-00	COVER, uPPer 1	1	
40	11L-23131-00	COVER, uPPer 2	1	
41	5H5-23318-00	HOLDER, cable 1	1	
42	97321-10035	BOLT	2	
43	92901-10100	WASHER, sPring	2	

FIG. 23 FUEL TANK

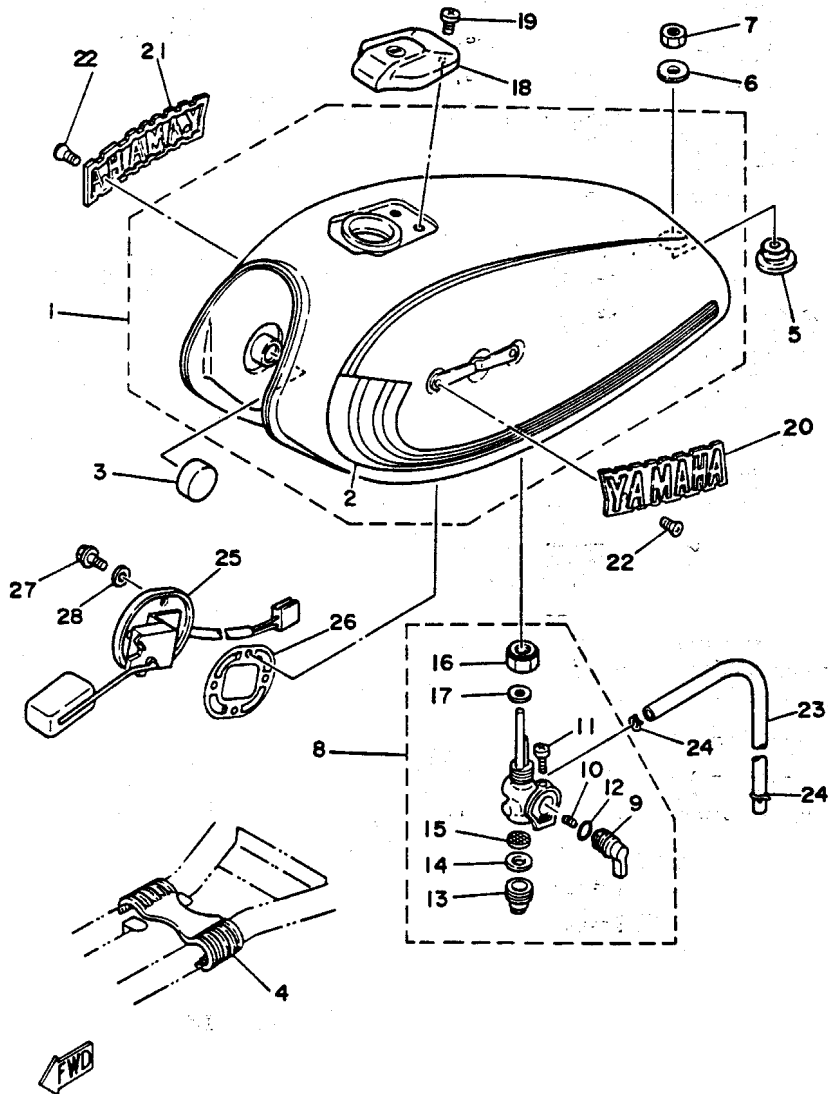


11L261-2230

REF. NO.	PART NO.	DESCRIPTION	Q'TY	REMARKS
1	5K9-24110-00-05	FUEL TANK COMP.	1	UR
	5K9-24110-00-06	FUEL TANK COMP.	1	brilliant red UR new yamaha black
	5K9-24110-00-07	FUEL TANK COMP.	1	UR
2	11L-24240-00	.GRAPHIC SET	1	caribbean blue UR for br
	11L-24240-10	.GRAPHIC SET	1	UR for nyb_crb
3	122-24181-00	DAMPER, locatin& 1	2	
4	3M5-24182-01	DAMPER, locatin& 2	1	
5	90480-25189	GROMMET	1	
6	90201-08612	WASHER, Plate	1	
7	95301-08600	NUT	1	
8	304-24500-10	FUEL COCK ASSY 1.	1	
9	357-24524-10	.LEVER, cock	1	
10	357-24529-10	.SPRING	1	
11	2N3-24535-00	.SCREW, lever fitting	1	
12	2N3-24528-00	.O-RING	1	
13	357-24521-10	.CUP, filter	1	
14	357-24522-10	.GASKET	1	
15	357-24515-10	.NET, filter 2	1	
16	2N3-24531-00	.NUT	1	
17	357-24532-10	.GASKET	1	
18	4X8-24650-01	CAP ASSY	1	
19	98501-05010	SCREW, Pan head	2	
20	4Y2-24161-00	EMBLEM 1	1	
21	4Y2-24162-00	EMBLEM 2	1	
22	90152-04006	SCREW, countersunk	4	
23	90445-09079	HOSE	1	
24	90467-08003	CLIP	2	
25	3M5-85752-00	SENDER UNIT ASSY, fuel meter	1	

D2

FIG. 23 FUEL TANK



REF. NO.	PART NO.	DESCRIPTION	Q'TY	REMARKS
26	2H7-85753-00	GASKET, sender unit	1	
27	95801-06014	BOLT, flange	4	
28	90202-06010	WASHER, Plate	4	

11L261-2230

D3

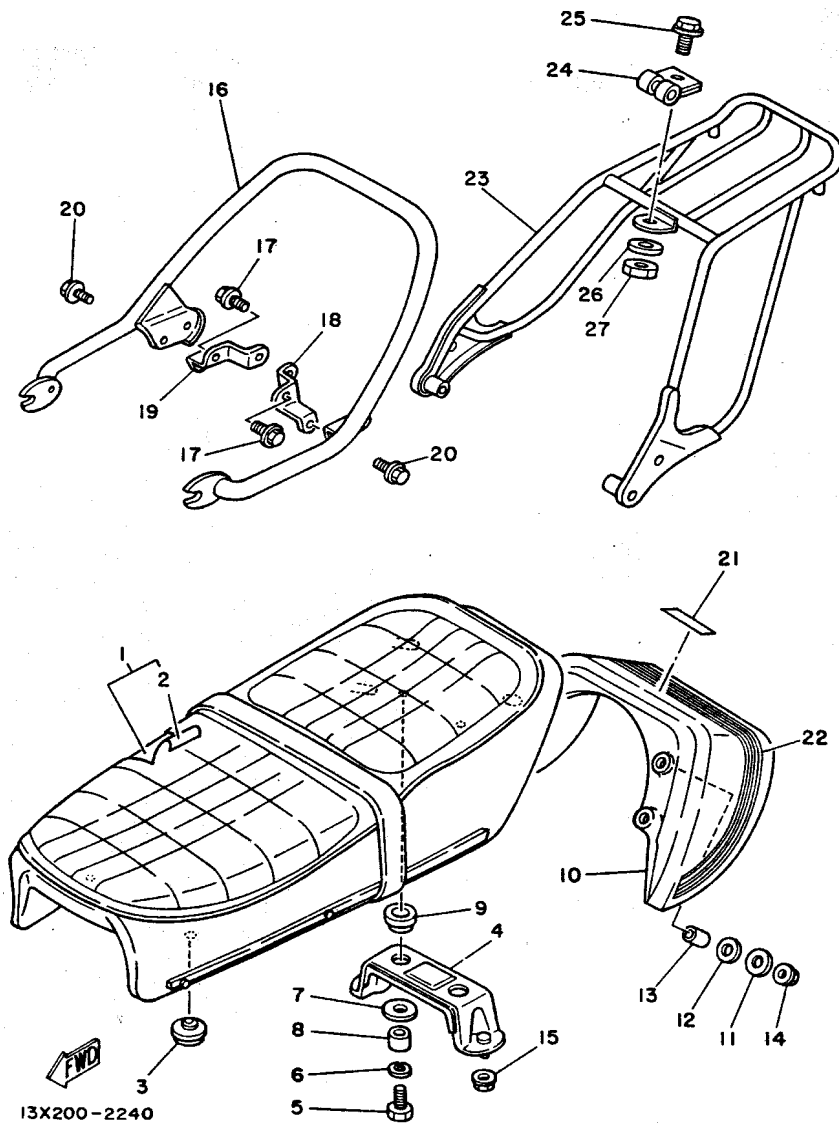


FIG. 24 SEAT

REF. NO.	PART NO.	DESCRIPTION	Q'TY	REMARKS
1	5K9-W2472-00	DOUBLE SEAT ASSY	1	
2	5K9-24731-00	COVER, double seat	1	
3	174-24741-00	PAD, seat	4	
4	4Y2-24716-00	STAY, rear	1	
5	97302-08030	BOLT	2	
6	92902-08100	WASHER, sPring	2	
7	90201-082E7	WASHER, Plate	2	
8	90387-08778	COLLAR	2	
9	90480-22305	GROMMET	2	
10	5K9-24756-00-2L	COVER, tail	1	UR
	5K9-24756-00-6G	COVER, tail	1	UR new yamaha black
	5K9-24756-00-63	COVER, tail	1	UR brilliant red
11	90201-053E0	WASHER, Plate	4	
12	90202-08125	WASHER, Plate	4	
13	90387-056E7	COLLAR	4	
14	95702-05100	NUT, flange	4	
15	90179-08065	NUT	2	
16	3M5-2474A-01	ASSIST, Grip	1	
17	95821-08045	BOLT, flange	2	
18	4Y2-2474H-00	BRACKET, assist Grip 1	1	
19	4Y2-2474J-00	BRACKET, assist Grip 2	1	
20	95801-08012	BOLT, flange	2	
21	3X4-24786-01	EMBLEM	1	
22	11L-24757-00	GRAPHIC, tail cover	1	UR for br
	11L-24757-10	GRAPHIC, tail cover	1	UR for nyb crb
23	5K9-24831-00	SUB CARRIER	1	
24	5K9-24814-00	CLAMP, carrier front	1	
25	95801-06016	BOLT, flange	1	

D4

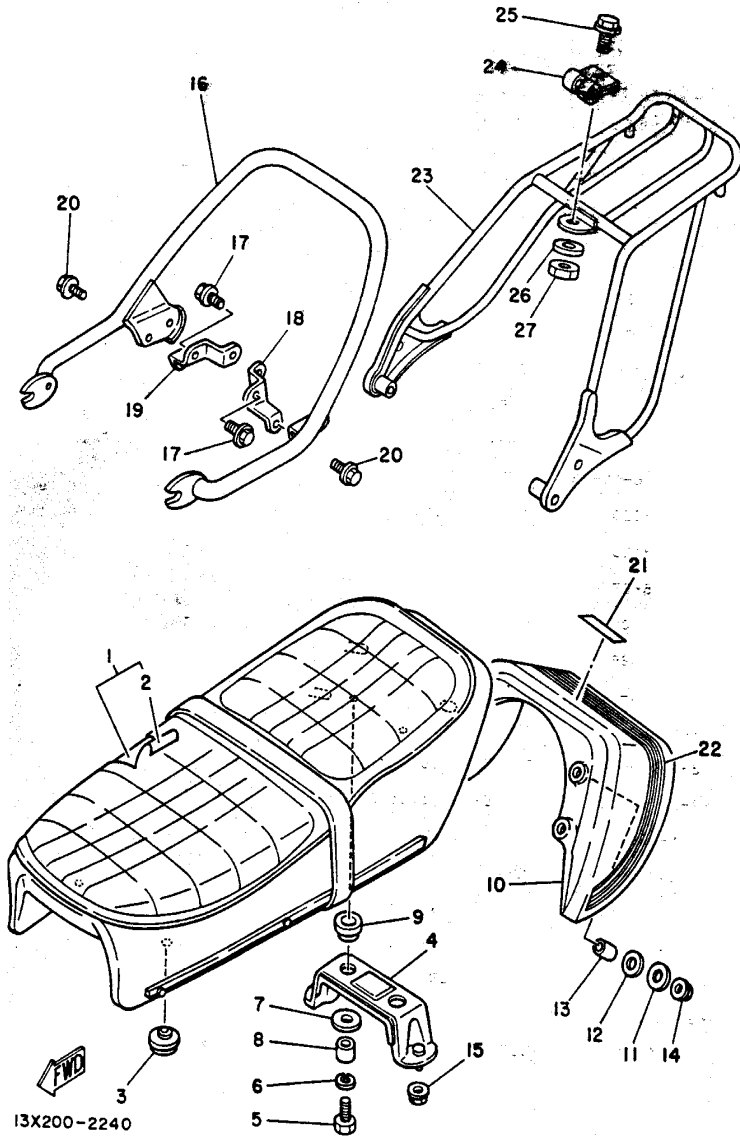
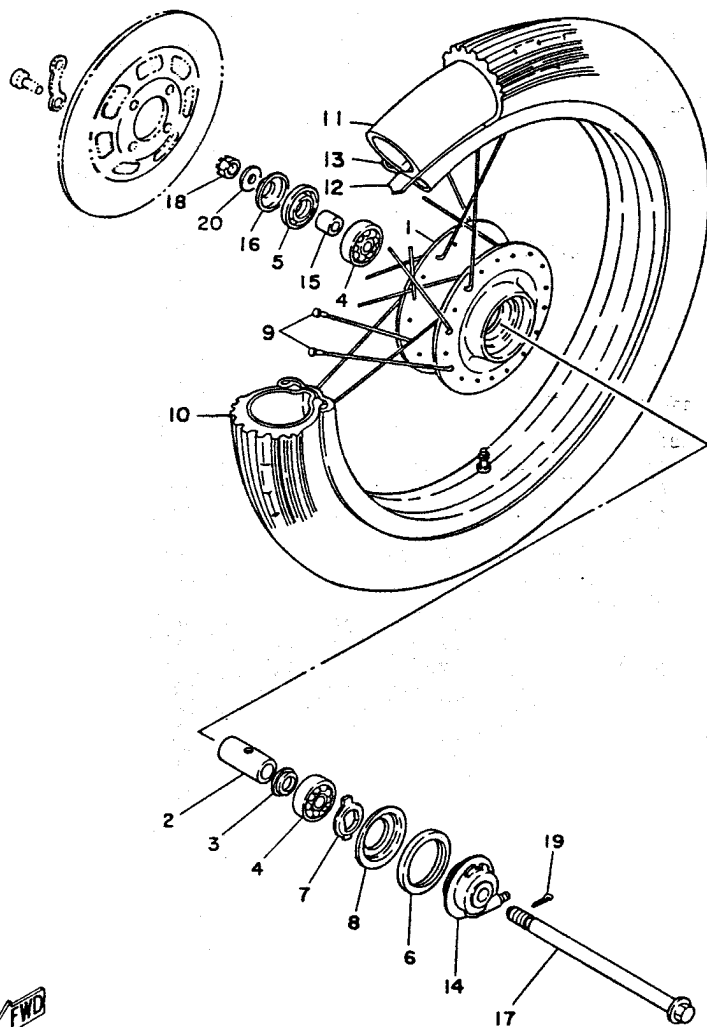


FIG. 24 SEAT

REF. NO.	PART NO.	DESCRIPTION	QTY	REMARKS
25	92901-06200	WASHER, Plain	1	
27	95301-06600	NUT	1	

D5

FIG. 25 FRONT WHEEL



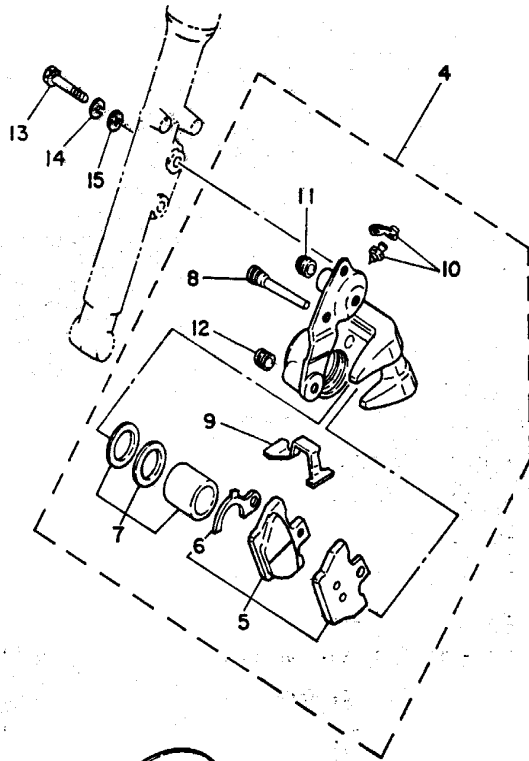
REF. NO.	PART NO.	DESCRIPTION	Q'TY	REMARKS
1	3V9-25111-00-38	HUB, front	1	clear buffing
2	214-25117-00	SPACER, bearing	1	
3	183-25315-00	FLANGE, spacer	1	
4	93306-20205	BEARING (B6202)	2	
5	93106-22016	OIL SEAL	1	
6	93105-45017	OIL SEAL	1	
7	341-25149-00	CLUTCH, meter	1	
8	341-25846-00	RETAINER, clutch	1	
9	404-25104-00	SPOKE SET, front	1	
10	94127-18202	TIRE (2.75-18)	1	
11	94227-18010	TUBE (2.75-18)	1	
12	94325-18043	BAND, rim (2.50-18)	1	
13	94414-18089	RIM (1.40-18)	1	
14	3M5-25190-00	GEAR UNIT-ASSY	1	
15	90387-15734	COLLAR	1	
16	3M5-25118-00	COVER, hub dust	1	
17	3M5-25181-00	AXLE, wheel	1	
18	90171-14020	NUT, castle	1	
19	91401-30030	PIN, cotter	1	
20	92901-14200	WASHER, plain	1	



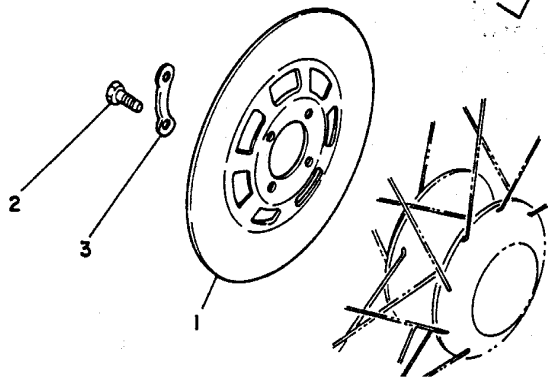
5K9200-1250

D6

FIG. 26 FRONT BRAKE CALIPER

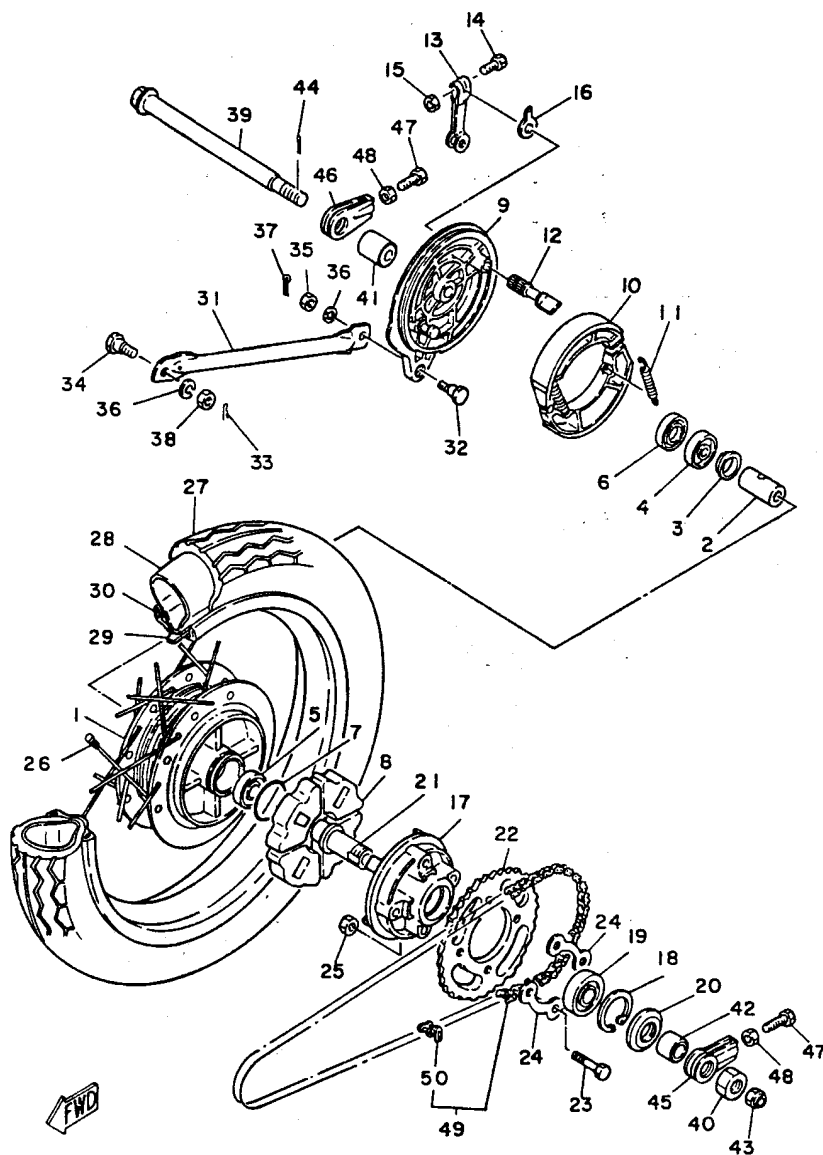


REF. NO.	PART NO.	DESCRIPTION	Q'TY	REMARKS
1	3M9-25831-00	DISC, brake	1	
2	90109-08367	BOLT	4	
3	404-25412-00	WASHER	2	
4	11L-25810-00	CALIPER ASSY (RIGHT)	1	
5	11L-W0045-00	•BRAKE PAD KIT, front	1	
6	4X8-25827-00	•SHIM, caliPer	1	
7	4X8-W0057-00	•PISTON ASSY, caliPer	1	
8	34L-25924-00	•PIN, Pad	1	
9	11H-25919-00	•SUPPORT, Pad	1	
10	404-W0048-30	•BREED SCREW KIT	1	
11	4X8-25917-00	•BOOT, caliPer	1	
12	5R2-25937-00	•BOOT 2	1	
13	90101-10308	BOLT	2	
14	92901-10100	WASHER, sPrinG	2	
15	92901-10200	WASHER, Plain	2	



4Y2460-1260

D7

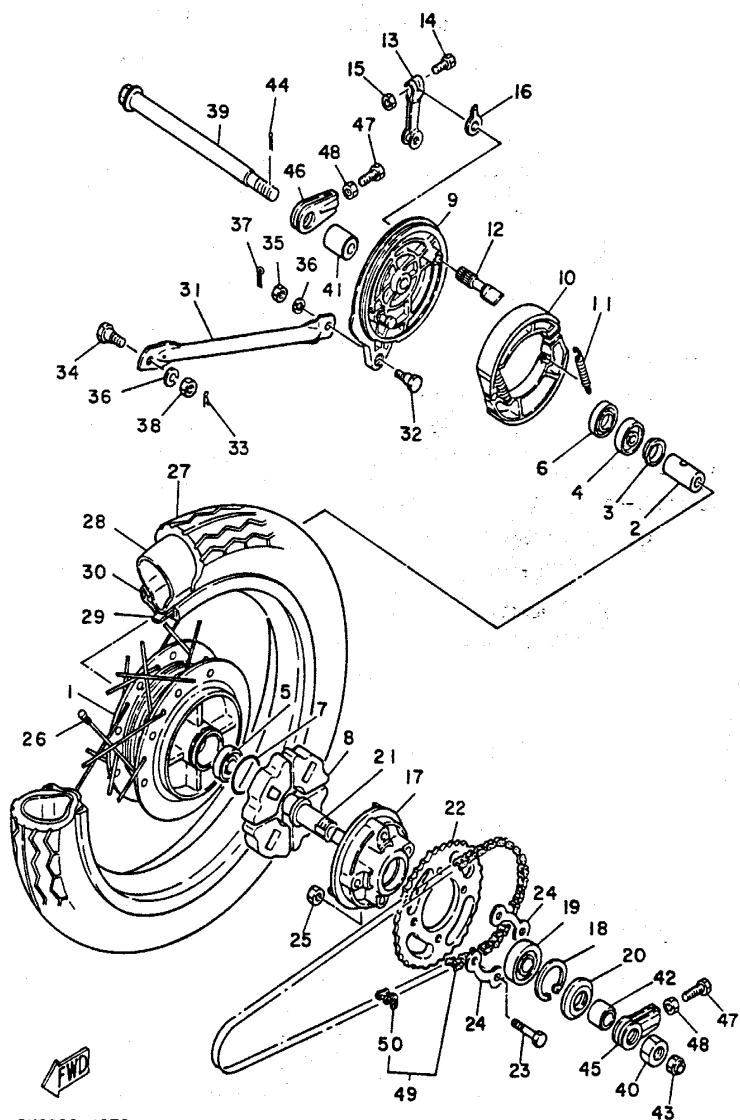


5K9200-1270

FIG. 27 REAR WHEEL

REF. NO.	PART NO.	DESCRIPTION	Q'TY	REMARKS
1	183-25311-00-38	HUB, rear	1	clear buffing
2	90560-15136	SPACER	1	
3	183-25315-00	FLANGE, spacer	1	
4	93306-20205	BEARING (B6202)	1	
5	93306-20204	BEARING (B6202Z)	1	
6	93104-22018	OIL SEAL	1	
7	93210-42101	O-RING	1	
8	304-25364-01	DAMPER	4	
9	4A7-25321-00-38	PLATE, brake shoe	1	clear buffing
10	183-25330-01	BRAKE SHOE COMP.	2	
11	90506-16036	SPRING, tension	2	
12	248-25351-10	CAMSHAFT	1	
13	1R0-25355-00	LEVER, camshaft	1	
14	90101-06278	BOLT	1	
15	95301-06600	NUT	1	
16	3E1-2513A-10	PLATE, indicator	1	
17	183-25366-01	CLUTCH, hub	1	
18	93420-42007	CIRCLIP	1	
19	93306-00406	BEARING (B6004Z)	1	
20	93106-26005	OIL SEAL	1	
21	183-25387-00	AXLE, sprocket	1	
22	183-25438-20-33	SPROCKET, driven (38T)	1	UR STD yamaha black
	183-25437-20-33	SPROCKET, driven (37T)	1	UR yamaha black
	183-25439-20-33	SPROCKET, driven (39T)	1	UR yamaha black
23	90109-08361	BOLT	4	
24	3M5-25412-00	WASHER	2	
25	90179-08168	NUT	4	
26	183-25304-01	SPOKE SET, rear	1	

D8



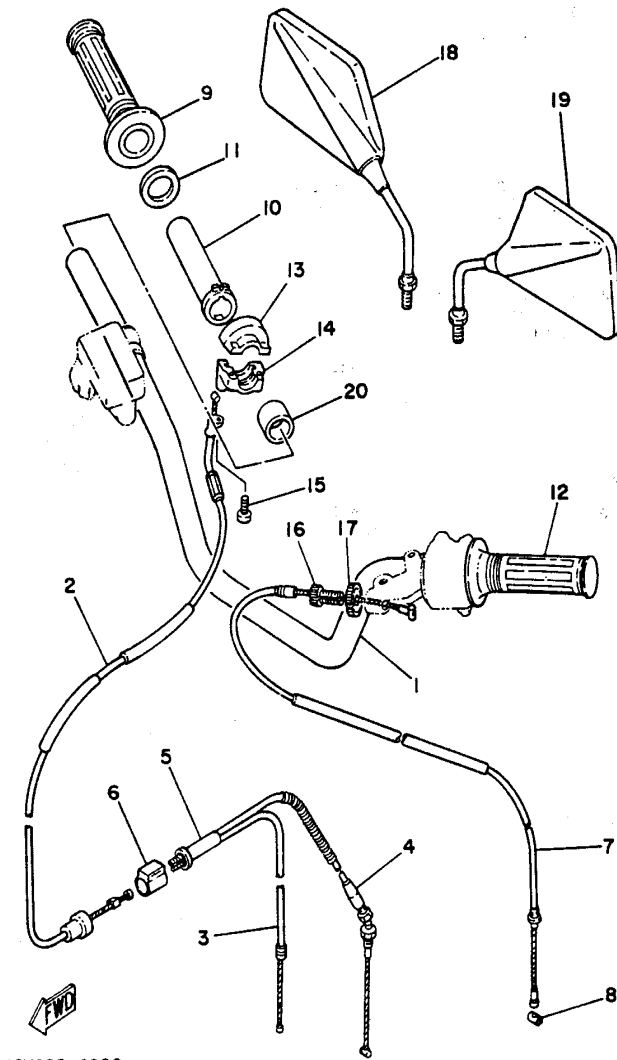
5K9200-1270

D9

FIG. 27 REAR WHEEL

REF. NO.	PART NO.	DESCRIPTION	Q'TY	REMARKS
27	94130-18200	TIRE (3.00-18)	1	
28	94230-18084	TUBE (3.00-18)	1	
29	94325-18043	BAND, rim (2.50-18)	1	
30	94414-18007	RIM (1.40-18)	1	
31	1V1-25371-00	BAR, tension	1	
32	90109-08063	BOLT	1	
33	437-83525-00	CLIP	1	
34	90109-08368	BOLT	1	
35	95301-08700	NUT	1	
36	92901-08100	WASHER, spring	2	
37	91401-20015	PIN, cotter	1	
38	95301-08600	NUT	1	
39	3M5-25381-00	AXLE, wheel	1	
40	90170-20224	NUT	1	
41	90387-15425	COLLAR	1	
42	90387-20165	COLLAR	1	
43	90171-14020	NUT, castle	1	
44	91401-30030	PIN, cotter	1	
45	214-25388-00	PULLER, chain 1	1	
46	248-25388-00	PULLER, chain 1	1	
47	90101-08034	BOLT	2	
48	95301-08700	NUT	2	
49	94580-24110	CHAIN	1	
50	94680-24001	JOINT, chain	1	

FIG. 28 HANDLEBAR CABLE



16V265-2280

REF. NO.	PART NO.	DESCRIPTION	Q'TY	REMARKS
1	11L-26110-00	HANDLE COMP.	1	
2	5K9-26311-00	CABLE, throttle 1	1	
3	5K9-26312-00	CABLE, throttle 2	1	
4	5K9-26321-00	CABLE, Pump	1	
5	214-26261-00	CONNECTOR, cable	1	
6	3M5-26268-00	HOLDER, cable connector	1	
7	5K9-26335-00	CABLE, clutch	1	
8	164-26363-00	END, cable	1	
9	2N3-26242-00	GRIP (R.H)	1	
10	214-26243-00	TUBE, throttle Guide	1	
11	1V1-26249-00	RING, leaf	1	
12	2N3-26241-00	GRIP (L.H)	1	
13	4Y2-26281-00	CAP, Grip upper	1	
14	4Y2-26282-00	CAP, Grip lower	1	
15	98501-05018	SCREW, Pan head	2	
16	90123-08013	BOLT	1	
17	90179-08148	NUT	1	
18	11L-26290-00	MIRROR ASSY (R.H)	1	
19	11L-26290-10	MIRROR ASSY (L.H)	1	
20	90387-220G4	COLLAR	1	

D10

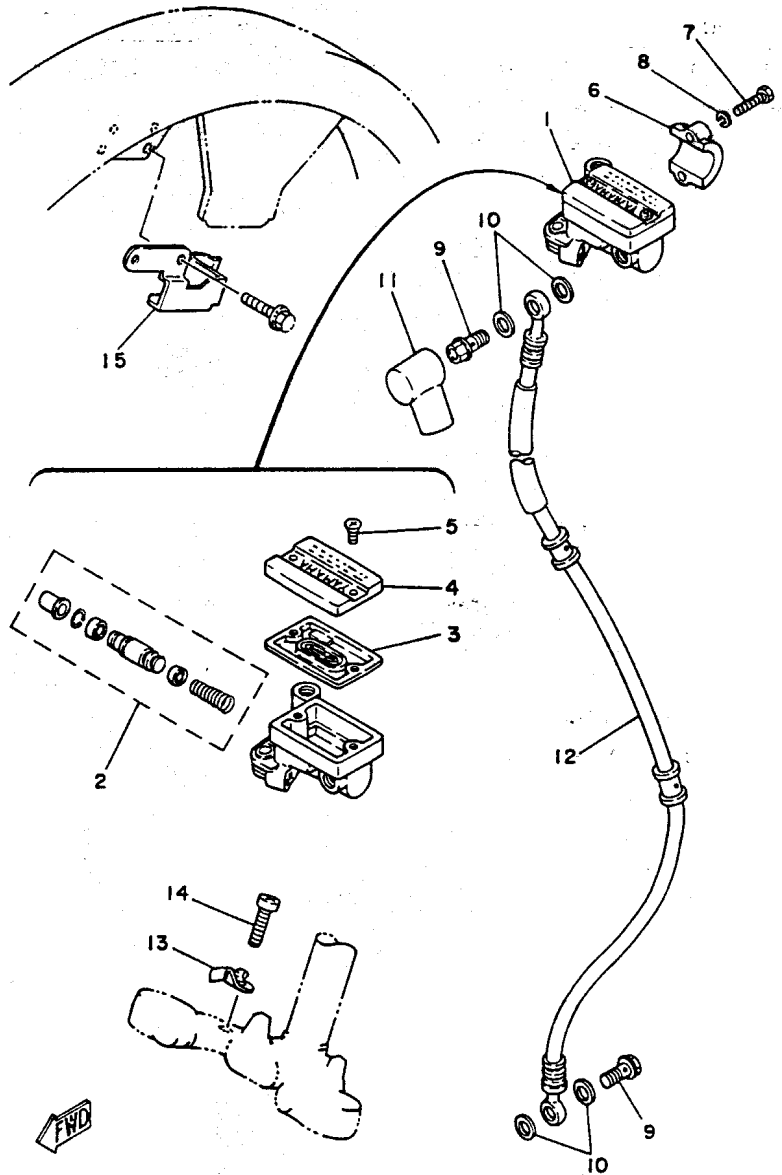
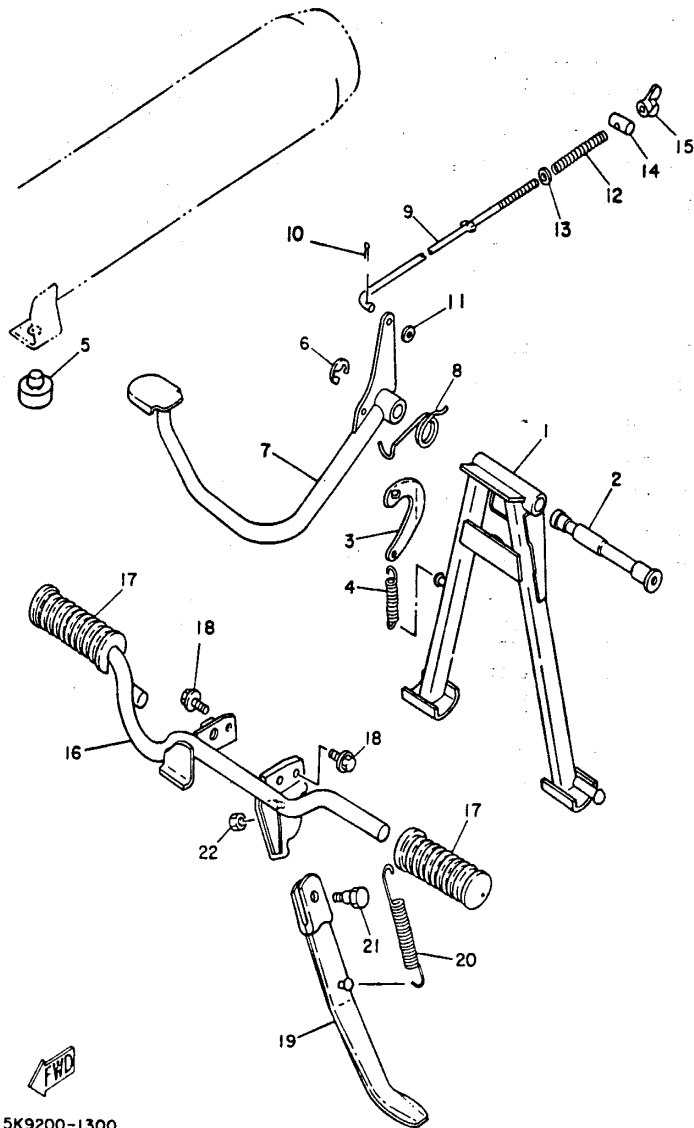


FIG. 29 FRONT MASTER CYLINDER

REF. NO.	PART NO.	DESCRIPTION	Q'TY	REMARKS
1	4L0-25850-02	MASTER CYLINDER ASSY	1	
2	4L0-W0041-00	•CYLINDER KIT, master	1	
3	4L0-25854-00	•DIAPHRAGM, reservoir	1	
4	4L0-25852-00	•CAP, reservoir	1	
5	98706-04012	•SCREW, flat head	2	
6	4L0-25867-00	BRACKET, master cylinder	1	
7	97321-06025	BOLT	2	
8	92901-06100	WASHER, spring	2	
9	90401-10034	BOLT, union	2	
10	90201-10118	WASHER, Plate	4	
11	360-25862-00	BOOT, master cylinder	1	
12	4X8-25872-00	HOSE, brake 1	1	
13	1V1-25875-00	HOLDER, brake hose 1	1	
14	92506-06025	SCREW, Pan head	1	
15	4X8-25876-00	HOLDER, brake hose 2	1	

5K9200-1290

D11



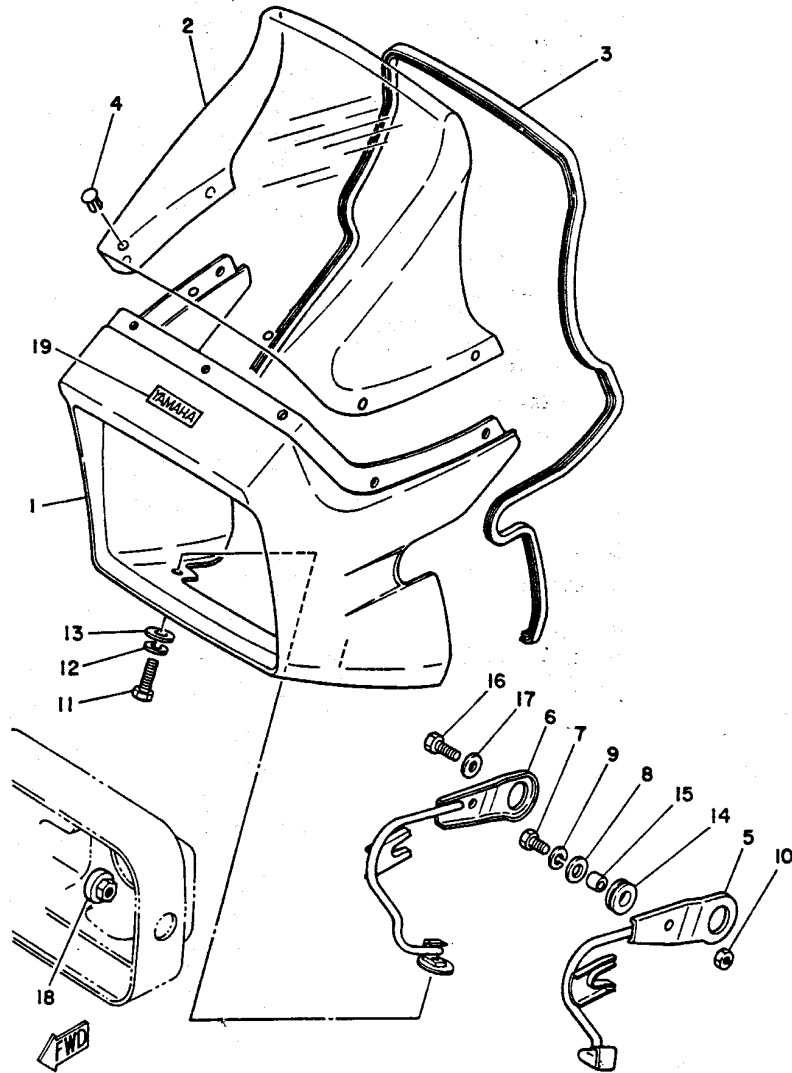
5K9200-1300

FIG. 30 STAND, FOOTREST

REF. NO.	PART NO.	DESCRIPTION	Q'TY	REMARKS
1	336-27111-01	STAND, main	1	
2	336-27112-00	SHAFT, main stand	1	
3	307-27115-00	LINK, main stand	1	
4	90506-29054	SPRING, tension	1	
5	116-27114-00	STOPPER, main stand	1	
6	93430-12008	CIRCLIP	1	
7	5H5-27211-00	PEDAL, brake	1	
8	90508-32056	SPRING, torsion	1	
9	307-27231-00	ROD, brake	1	
10	91401-20015	PIN, cotter	1	
11	92901-06600	WASHER, Plate	1	
12	90501-10245	SPRING, compression	1	
13	92901-06600	WASHER, Plate	1	
14	90249-12008	PIN	1	
15	90175-06013	NUT, wing	1	
16	5H5-27411-00	FOOTREST 1	1	
17	441-27413-01	COVER, footrest	2	
18	95801-08020	BOLT, flange	2	
19	336-27311-00-33	STAND, side	1	
20	90506-25047	SPRING, tension	1	
21	90109-08032	BOLT	1	
22	95301-08700	NUT	1	

D12

FIG. 31 COWLING

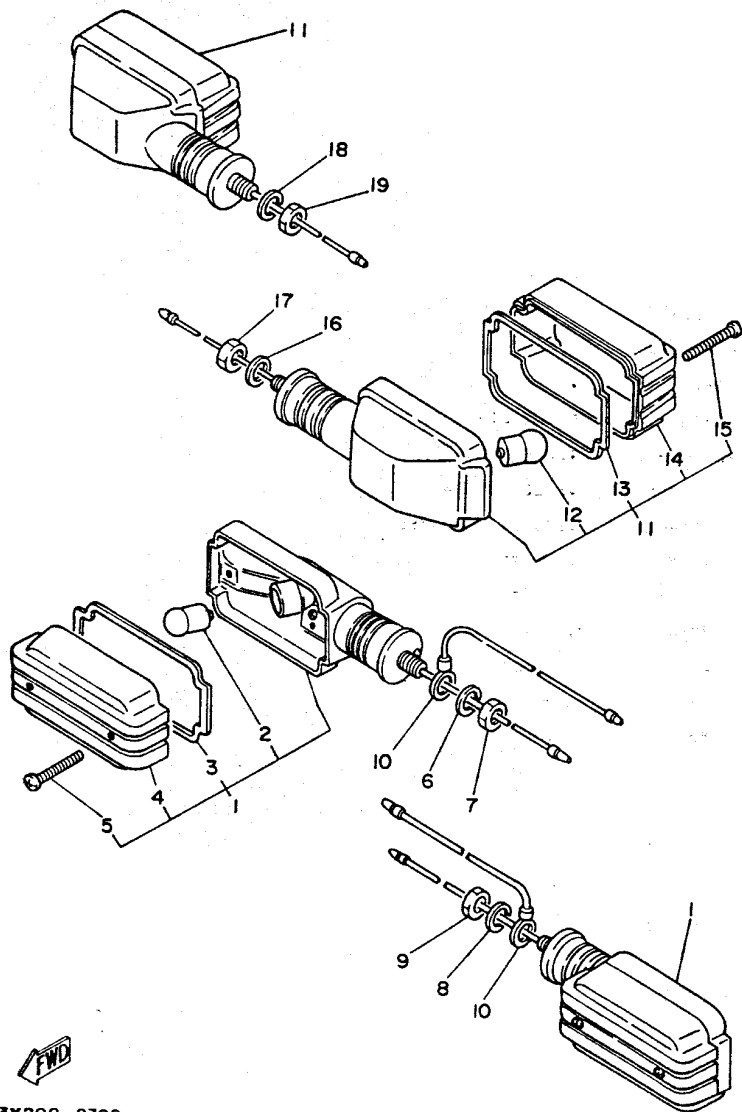


13X200-2310

REF. NO.	PART NO.	DESCRIPTION	Q'TY	REMARKS
1	13X-28351-00-2L	BODY, cowling	1	UR
	13X-28351-00-6G	BODY, cowling	1	caribbean blue
	13X-28351-00-63	BODY, cowling	1	UR new yamaha black
2	13X-28381-00	WINDSHIELD	1	UR brilliant red
3	13X-28376-00	TRIM	1	
4	90269-07033	RIVET	7	
5	13X-28356-00	STAY 1	1	
6	13X-28357-00	STAY 2	1	
7	97306-08018	BOLT	2	
8	90201-081A6	WASHER, Plate	2	
9	92906-08100	WASHER, sPring	2	
10	95306-08600	NUT	2	
11	97306-06016	BOLT	2	
12	92906-06100	WASHER, sPring	2	
13	90201-06067	WASHER, Plate	2	
14	90480-18330	GROMMET	2	
15	90387-08785	COLLAR	2	
16	97306-08025	BOLT	2	
17	90201-08795	WASHER, Plate	2	
18	13X-28371-00	DAMPER	2	
19	4X8-24786-00	EMBLEM	1	

D13

FIG. 32 FLASHER LIGHT



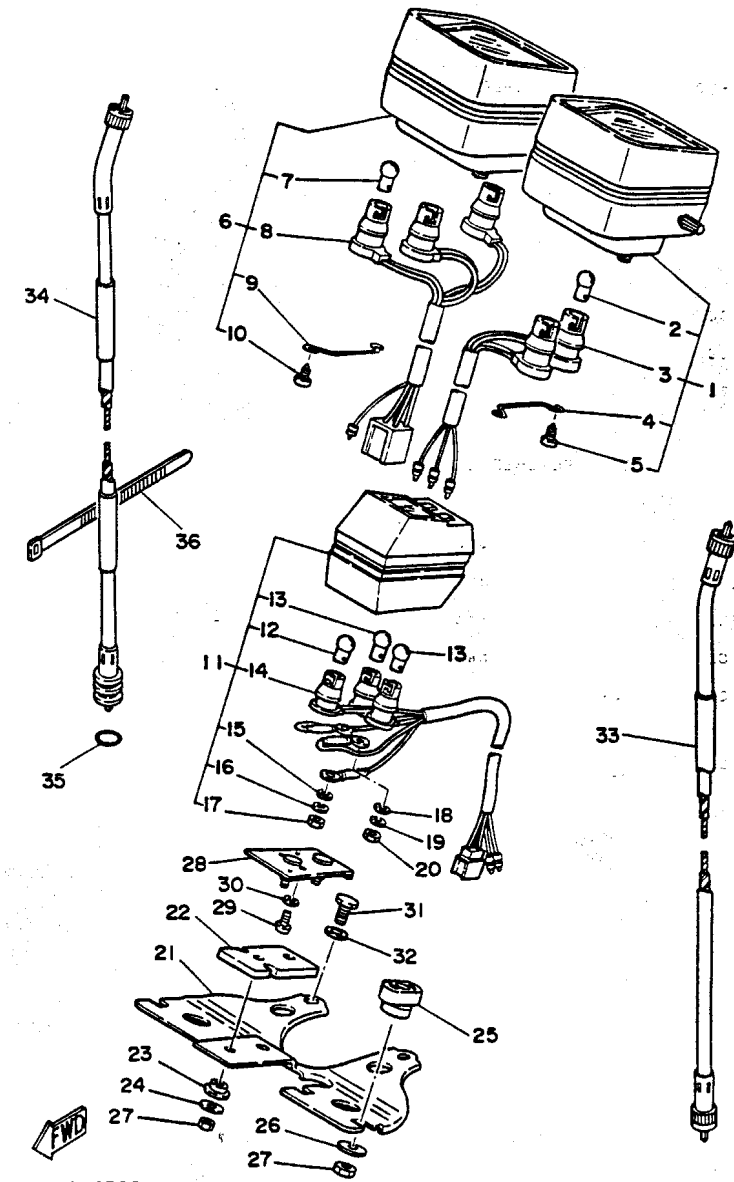
REF. NO.	PART NO.	DESCRIPTION	Q'TY	REMARKS
1	11L-83310-10	FRONT FLASHER LIGHT ASSY 1	2	
2	152-83311-10	•BULB (6V-10W)	1	
3	11L-83313-00	•GASKET, f(asher lens	1	
4	11L-83312-00	•LENS, flasher	1	
5	97701-40535	-SCREW, tapping	2	
6	92901-10100	WASHER, sPring	1	
7	95301-10600	NUT	1	
8	92901-10100	WASHER, -sPring	1	
9	95301-10600	NUT	1	
10	4J1-83354-00	CORD	2	
11	11L-83330-10	•REAR FLASHER LIGHT ASSY 1	2	
12	152-83311-10	•BULB (6V-10W)	1	
13	11L-83313-00	•GASKET, flasher lens	1	
14	11L-83312-00	•LENS, flasher	1	
15	97701-40535	•SCREW, tapping	2	
16	92901-10100	WASHER, sPring	1	
17	95301-10600	NUT	1	
18	92901-10100	WASHER, sPring	1	
19	95301-10600	NUT	1	



13X200-2320

D14

FIG. 33 SPEEDOMETER. TACHOMETER

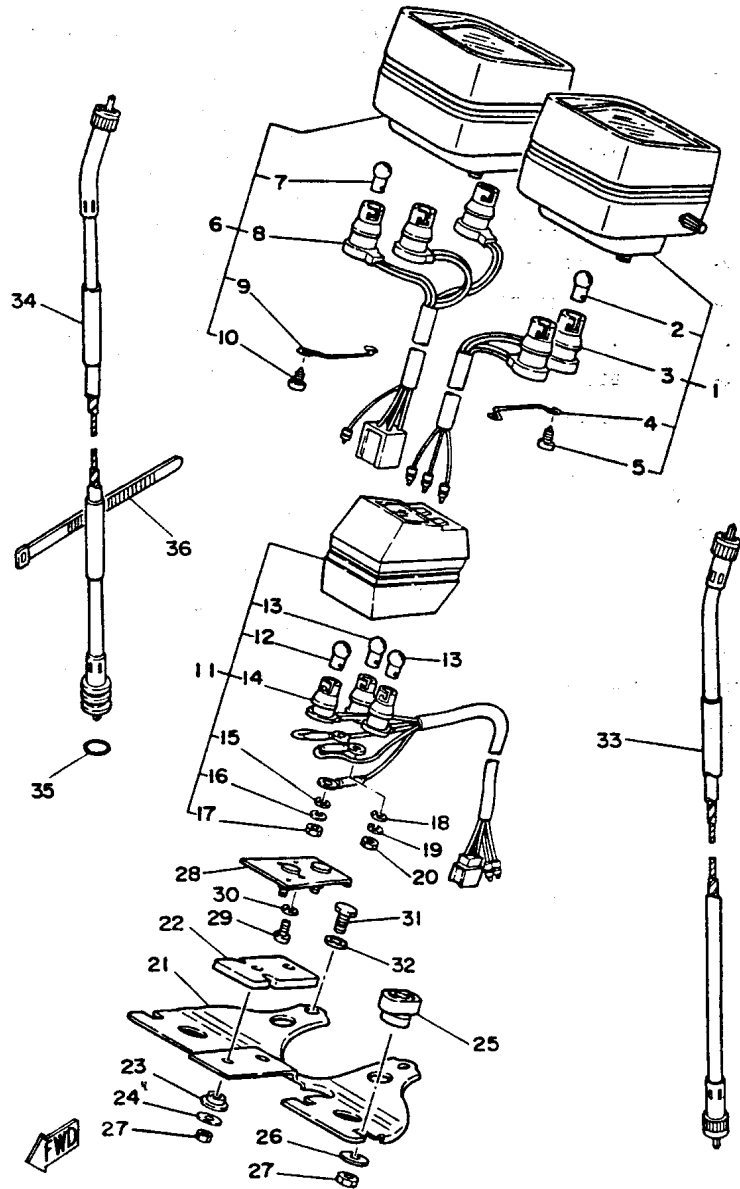


16V265-2320

REF. NO.	PART NO.	DESCRIPTION	Q'TY	REMARKS
1	11L-83570-F0	SPEEDOMETER ASSY	1	
2	122-83516-10	•BULB (6V-3W)	2	
3	4X8-83509-00	•SOCKET CORD ASSY	1	
4	4X8-83595-00	•CLAMP	1	
5	97706-40116	•SCREW, tapping	2	
6	11L-83540-F0	TACHOMETER ASSY	1	
7	122-83516-10	•BULB (6V-3W)	3	
8	11L-83509-00	•SOCKET CORD ASSY	1	
9	4X8-83595-00	•CLAMP	1	
10	97706-40116	•SCREW, tapping	2	
11	29M-83530-00	PILOT LIGHT ASSY	1	
12	388-83517-10	•BULB (6V-1.7W)	1	
13	122-83516-10	•BULB (6V-3W)	2	
14	4Y2-83509-00	•SOCKET CORD ASSY	1	
15	92901-04200	•WASHER, Plain	1	
16	92901-04100	•WASHER, sPring	1	
17	95301-04600	•NUT	1	
18	92901-03200	•WASHER, Plain	2	
19	92903-03100	•WASHER, sPring	2	
20	95301-03600	•NUT	2	
21	11L-83519-00	BRACKET, meter	1	
22	11L-83513-00	DAMPER	1	
23	4Y2-83526-00	DAMPER 2	2	
24	90201-052E2	WASHER, Plate	2	
25	4X8-83523-00	DAMPER	4	
26	4X8-83524-00	WASHER, sPecial	4	
27	95306-05600	NUT	6	
28	11L-83574-00	BRACKET, indicator light 1	1	

D15

FIG. 33 SPEEDOMETER. TACHOMETER

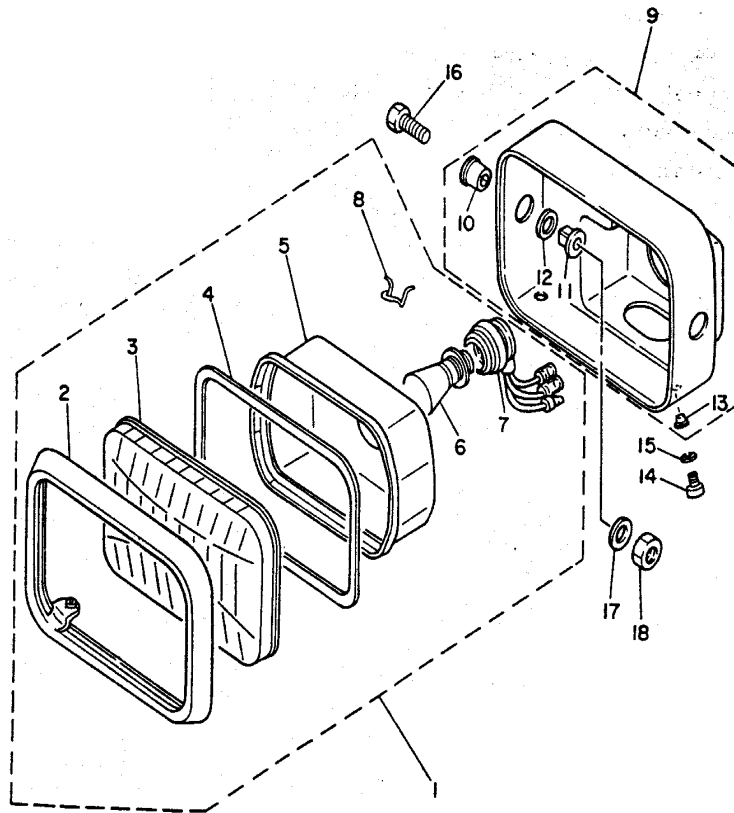


REF. NO.	PART NO.	DESCRIPTION	Q'TY	REMARKS
29	98506-04012	SCREW, Pan head	2	
30	92906-04100	WASHER, sPring	2	
31	97301-08025	BOLT	2	
32	92901-08600	WASHER, Plate	2	
33	11L-83550-00	SPEEDOMETER CABLE ASSY	1	
34	11L-83560-01	TACHOMETER CABLE ASSY	1	
35	93210-14104	O-RING	1	
36	437-83936-00	BAND, switch cord	1	

16V265-2320

E2

FIG. 34 HEADLIGHT



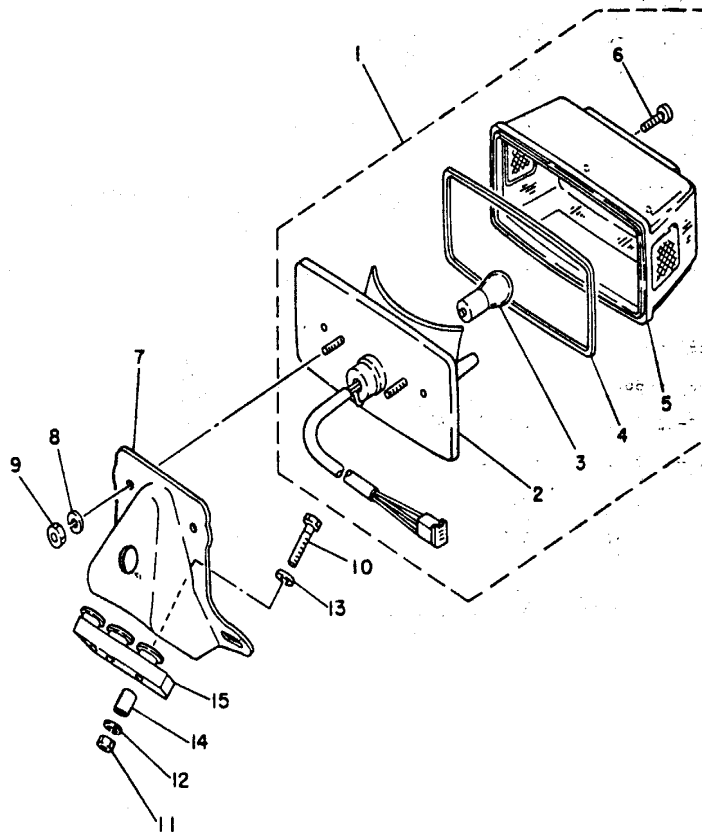
REF. NO.	PART NO.	DESCRIPTION	Q'TY	REMARKS
1	11L-84110-00	HEADLIGHT UNIT ASSY	1	
2	11L-84115-00	•RIM, headlight	1	
3	11L-84121-00	•LENS, headlight	1	
4	11L-84122-00	•GASKET, lens	1	
5	11L-8412A-00	•REFLECTOR ASSY	1	
6	359-84114-00	•BULB (6V-25/25W)	1	
7	3M5-84140-00	•SOCKET CORD ASSY	1	
8	11L-84124-00	•SPRING, set	4	
9	11L-84130-00	BODY ASSY, headlight	1	
10	3M5-84163-00	•DAMPER	2	
11	11L-84164-00	•DAMPER	2	
12	11L-84145-00	•COLLAR, body fitting	2	
13	3M5-84127-00	•WASHER, specia	2	
14	98501-05012	SCREW, Pan head	2	
15	92901-05100	WASHER, sPring	2	
16	97301-08030	BOLT	2	
17	90201-08612	WASHER, Plate	2	
18	95301-08600	NUT	2	



13X200-2340

E3

FIG. 35 TAILLIGHT



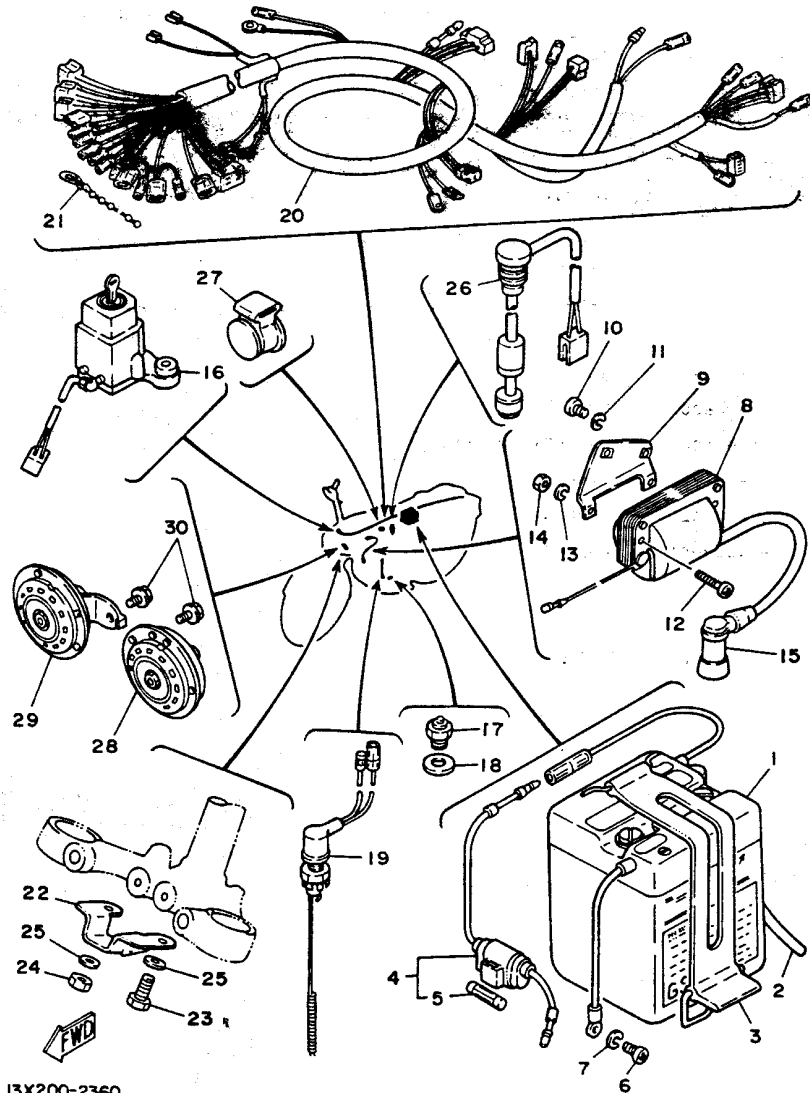
REF. NO.	PART NO.	DESCRIPTION	Q'TY	REMARKS
1	3M5-84510-00	TAILLIGHT UNIT ASSY	1	
2	3M5-84520-00	TAILLIGHT BASE ASSY	1	
3	122-84514-30	BULB (6V-17/5.3W)	1	
4	3M5-84523-00	GASKET, lens	1	
5	3M5-84521-00	LENS, taillight	1	
6	97701-40120	SCREW, Panhead tapping	2	
7	3M5-84551-00-93	BRACKET, licence	1	chrome-plated
8	92901-06100	WASHER, spring	2	
9	95301-06600	NUT	2	
10	97301-06030	BOLT	3	
11	95301-06600	NUT	3	
12	92901-06100	WASHER, spring	3	
13	90209-06174	WASHER	3	
14	90387-07392	COLLAR	3	
15	3M5-84553-01	DAMPER	1	



5K9200-1340

E4

FIG. 36 ELECTRICAL 1



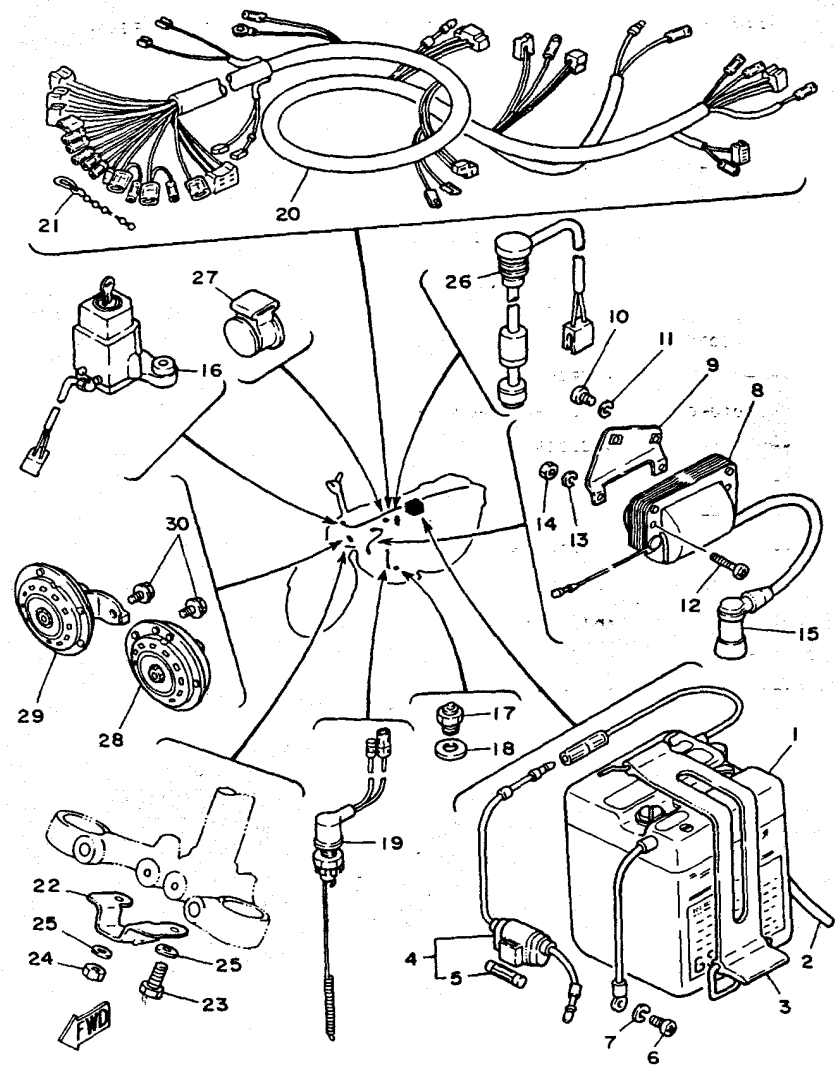
13X200-2360

REF. NO.	PART NO.	DESCRIPTION	Q'TY	REMARKS
1	120-82110-29	BATTERY ASSY (6N4-2A-2)	1	
2	90445-08336	HOSE	1	
3	3M5-82131-00	BAND, battery	1	
4	353-82150-00	FUSE HOLDER ASSY	1	
5	116-82151-00	FUSE (6V-10A)	1	
6	92501-06012	SCREW, Pan head	1	
7	92901-06100	WASHER, sPrinG	1	
8	3M5-82310-50	IGNITION COIL ASSY	1	
9	3M5-82316-00	BRACKET, iGnition coil	1	
10	92501-06012	SCREW, Pan head	2	
11	92901-06100	WASHER, sPrinG	2	
12	92501-06025	SCREW, Pan head	2	
13	92901-06100	WASHER, sPrinG	2	
14	95301-06600	NUT	2	
15	117-82370-20	PLUG CAP ASSY	1	UR
	5R2-82370-20	PLUG CAP ASSY	1	UR with noise suppresser
16	11L-82508-00	MAIN SWITCH ASSY	1	
17	136-82540-00	NEUTRAL SWITCH ASSY	1	
18	90430-11034	GASKET	1	
19	1E2-82530-00	STOP SWITCH ASSY	1	
20	11L-82590-20	WIRE HARNESS ASSY	1	
21	90464-20031	CLAMP	4	
22	90464-30024	CLAMP	1	
23	97301-06016	BOLT	1	
24	95301-06600	NUT	1	
25	90201-06050	WASHER, Plate	2	
26	3M7-85720-00	OIL LEVEL GAUGE ASSY	1	
27	4A6-83350-10	FLASHER RELAY ASSY	1	

E5

FIG. 36 ELECTRICAL 1

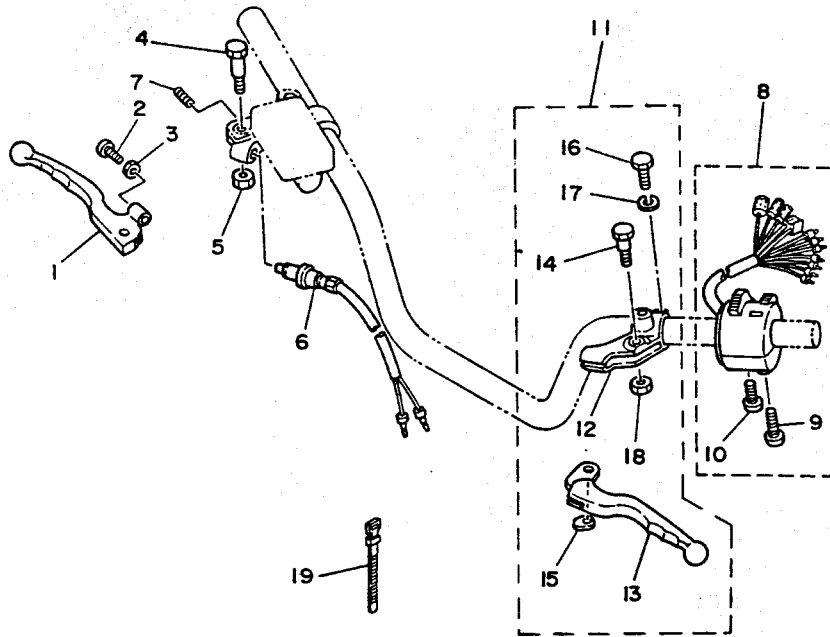
REF. NO.	PART NO.	DESCRIPTION	Q'TY	REMARKS
28	4X8-83371-20	HORN	1	
29	4X8-83371-30	HORN	1	
30	95806-08012	BOLT, flange	2	



13X200-2360

E6

FIG. 37 HANDLE SWITCH-LEVER



REF. NO.	PART NO.	DESCRIPTION	Q'TY	REMARKS
1	4L0-83922-00	LEVER 2	1	
2	90149-06153	SCREW	1	
3	90170-06010	NUT	1	
4	90109-06465	BOLT	1	
5	95601-06100	NUT, u	1	
6	1A0-83980-30	FRONT STOP SWITCH ASSY	1	
7	90501-10312	SPRING, compression	1	
8	3M5-83972-01	SWITCH, handle 4	1	
9	98501-05030	•SCREW, Pan head	1	
10	90157-05027	•SCREW, Pan head	1	
11	3M5-82910-00	LEVER HOLDER ASSY 1	1	
12	498-82911-00	•HOLDER, lever 1	1	
13	3M5-83912-00	•LEVER 1	1	
14	2H7-83945-00	•BOLT, lever	1	
15	3M5-83929-00	•PLATE, spring	1	
16	97301-06022	•BOLT	1	
17	92901-06100	•WASHER, spring	1	
18	95601-06100	•NUT, u	1	
19	168-83936-01	BAND, switch cord	2	

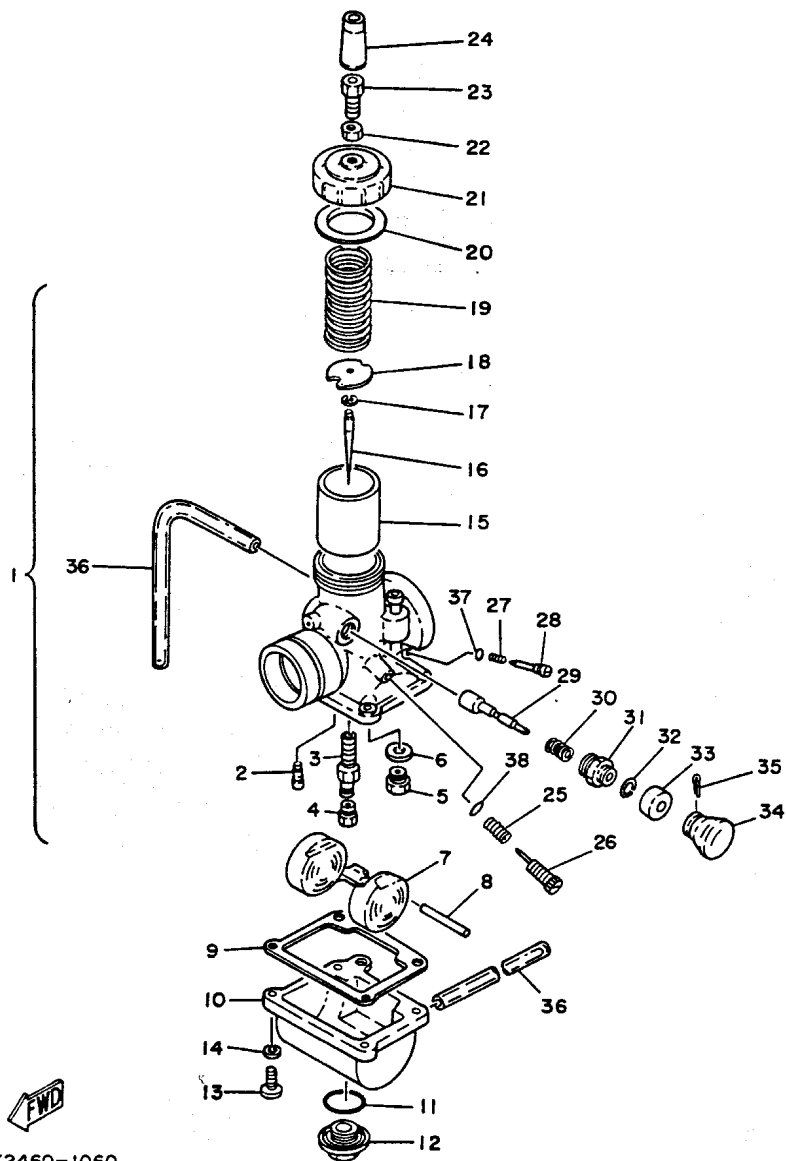


11L261-2360

E7

ALTERNATE PARTS

FIG. 38 CARBURETOR

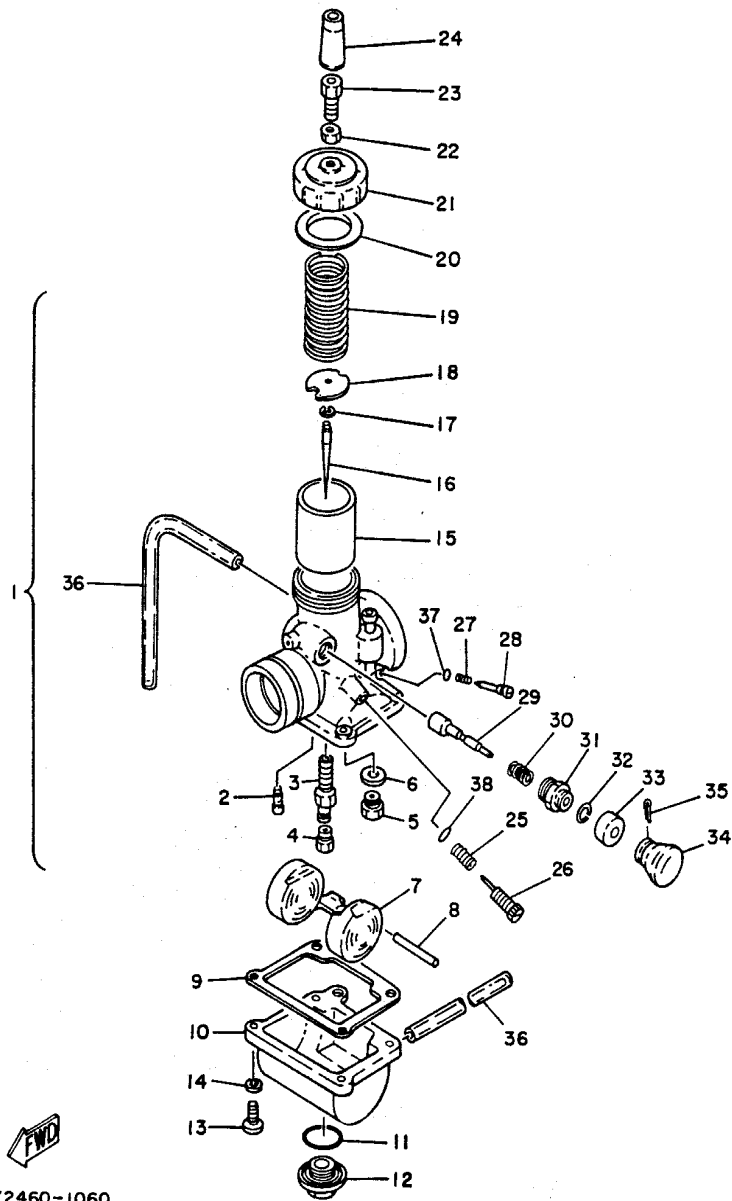


4Y2460-1060

REF. NO.	PART NO.	DESCRIPTION	Q'TY	REMARKS
1	13X-14101-50	CARBURETOR ASSY 1	1	for hi&t land
2	260-14142-25	•JET, Pilot (#25.0)	1	
3	3R1-14141-30	•NOZZLE, main	1	
4	137-14143-29	•JET, main (#145)	1	UR STD
	137-14143-28	•JET, main (#140)	1	UR
	137-14143-30	•JET, main (#150)	1	UR
5	168-14190-25	•NEEDLE VALVE ASSY	1	
6	214-14195-00	•WASHER, needle valve	1	
7	314-14185-00	•FLOAT	1	
8	127-14186-00	•PIN, float	1	
9	304-14184-00	•GASKET, float chamber	1	
10	2Y1-14181-08	•BODY, float chamber 1	1	
11	558-14147-00	•O-RING	1	
12	500-14115-00	•PLUG, screw	1	
13	98501-04016	•SCREW, Pan head	4	
14	92901-04100	•WASHER, sPrin&	4	
15	314-14112-20	•VALVE, throttle 1	1	
16	452-14116-24	•NEEDLE	1	
17	164-14137-00	•CLIP	1	
18	246-14132-00	•STOPPER, cable	1	
19	2V0-14131-00	•SPRING, throttle valve	1	
20	246-14126-00	•GASKET	1	
21	802-14158-00	•TOP, mixing chamber	1	
22	802-14161-00	•NUT, cable adjusting	1	
23	127-14124-20	•SCREW, cable adjusting	1	
24	307-14169-10	•CAP	1	
25	493-14133-00	•SPRING, throttle stop	1	
26	443-14122-00	•SCREW, throttle	1	

E8

FIG. 38 CARBURETOR



REF. NO.	PART NO.	DESCRIPTION	Q'TY	REMARKS
27	174-14134-00	•SPRING, air adjusting	1	
28	525-14123-00	•SCREW, air adjusting	1	
29	304-14171-00	•PLUNGER, starter	1	
30	156-14135-00	•SPRING, Plunger	1	
31	152-14174-00	•CAP, Plunger	1	
32	353-14138-00	•CLIP, Plunger	1	
33	132-14173-00	•COVER, Plunger cap	1	
34	304-14261-00	•HOLDER	1	
35	91401-16015	•PIN, cotter	1	
36	183-14196-00	•PIPE	2	
37	354-14147-00	•O-RING	1	
38	214-14147-00	•O-RING	1	

4Y2460-1060

E9

REPAIR KIT

FIG. 39 REPAIR KIT

REF. NO.	PART NO.	DESCRIPTION	Q'TY	REMARKS
1	4Y2-11650-00	CONNECTING ROD ASSY	1	
2	4Y2-11651-00	•ROD, connecting	1	
3	3M5-11681-00	•PIN, crank 1	1	
4	93310-422L0	•BEARING, cylindrical	1	
5	90209-22071	•WASHER	2	
6	93310-216J2	•BEARING, cylindrical	1	

E10

INDEX

NUMERICAL INDEX

PART NO.	REF. NO.	PART NO.	REF. NO.	PART NO.	REF. NO.
4L0-W0041-00	29- 2	137-13176-00	4-19	214-14147-00	6-32
11L-W0045-00	26- 5	248-13178-00	4-20		38-38
404-W0048-30	26-10	353-13552-01	4-10	354-14147-00	6-31
4X8-W0057-00	26- 7	4Y2-13565-00	5- 7		38-37
4Y2-W1541-00	9- 1	4Y2-13581-00	5-13	558-14147-00	6-11
5K9-W2472-00	24- 1	4X8-13610-00	5- 1		38-11
4Y2-11111-00	1- 2	4X8-13613-10	5- 2	802-14158-00	6-21
4Y2-11127-00	1- 4	4X8-13613-20	5- 3		38-21
463-11127-02	1- 5	345-13616-70	5- 4	802-14161-00	6-22
4Y2-11128-00	1- 3	314-13621-02	5- 6		38-22
4Y2-11128-10	1- 6	13X-14101-50	38- 1	307-14169-10	6-24
4Y2-11129-00	1- 9	4Y2-14101-01	6- 1		38-24
3M5-11161-00	1-14	314-14112-20	6-15	304-14171-00	38-29
4Y2-11161-00	1- 7		38-15	4U5-14171-00	6-29
4Y2-11162-00	1- 8	500-14115-00	6-12	132-14173-00	38-33
4Y2-11181-00	1-10		38-12	152-14174-00	38-31
4Y2-11311-00	1-13	452-14116-24	6-16	2Y1-14181-08	6-10
3M5-11351-01	1-15		38-16		38-10
4Y2-11400-00	2- 1	443-14122-00	6-26	304-14184-00	6- 9
452-11412-00	2- 2		38-26		38- 9
452-11422-00	2- 3	525-14123-00	6-28	314-14185-00	6- 7
4Y2-11601-00	2-22		38-28		38- 7
4Y2-11601-10	2-22	127-14124-20	6-23	127-14186-00	6- 8
4Y2-11601-20	2-22		38-23		38- 8
4Y2-11601-30	2-22	246-14126-00	6-20	168-14190-25	6- 5
4Y2-11601-40	2-22		38-20		38- 5
4Y2-11631-01-97	2-18	2V0-14131-00	6-19	214-14195-00	6- 6
4Y2-11633-00	2-19		38-19		38- 6
4Y2-11635-00	2-18	246-14132-00	6-18	183-14196-00	6-30
4Y2-11636-00	2-18		38-18		38-36
4Y2-11637-00	2-18	493-14133-00	6-25	304-14261-00	38-34
4Y2-11638-00	2-18		38-25	3M5-14401-00	5-21
4Y2-11650-00	39- 1	174-14134-00	6-27	3M5-14402-02	5-23
4Y2-11651-00	2- 4		38-27	3M5-14451-01	5-22
	39- 2	156-14135-00	38-30	4Y2-14453-00	5-11
	39- 3	164-14137-00	6-17	5H5-14611-00	7- 1
3M5-11681-00			38-17	1V1-14612-00	7- 2
	4- 1	353-14138-00	38-32	152-14613-00	7- 3
	4-16	3R1-14141-30	6- 3	5K9-14710-00	7- 6
	4-13		38- 3	360-14713-00	7-10
	4- 2	260-14142-25	6- 2	3M5-14714-01	7-11
	4- 2		38- 2	5H5-14753-00	7- 7
	4- 2	137-14143-28	38- 4	3M5-15111-01	8- 1
	4- 3	137-14143-29	6- 4	4X8-15121-00	8- 7
	4- 9		38- 4	304-15128-00	8- 8
	4-23	137-14143-30	6- 4	137-15353-00	14-17
	4-14		38- 4	248-15357-00	9-13
		137-14143-31	6- 4	401-15362-00	9-27

NUMERICAL INDEX

PART NO.	REF. NO.	PART NO.	REF. NO.	PART NO.	REF. NO.
498-15371-00	8-10	174-17461-60	12-26	5K9-21781-00	18- 8
4Y2-15415-00	9-14	168-17471-00	12-21	5K9-21782-00	18-10
4Y2-15416-00	9-24	443-17831-01	13- 2	3M5-21783-01	18-12
4Y2-15421-00	9-18	248-17837-00	13- 4	3M5-21784-01	18-14
360-15435-00	9-15	1V1-17841-00	13- 5	5K9-22110-00	20- 1
	9-25	248-17861-00	13- 1	307-22123-00	20- 2
	9-23	3M5-18101-00	15- 1	234-22141-00	20- 3
4Y2-15451-00	10-17	3M5-18111-00	15-10	173-22151-00	20- 6
156-15618-01	10-11	307-18112-00-93	15-16	1V1-22210-02-93	20-17
4X8-15620-00	10-12	132-18113-01	15-11	1V1-22311-01-93	20-12
1V1-15621-00	10- 5	336-18115-00	15-15	5K9-23102-00	22- 1
1W1-15641-00	10- 1	102-18137-00-10	13- 6	5K9-23103-00	22-18
525-15651-00	10- 4	3M5-18140-00	14-20	5H5-23106-00	22- 4
4F2-15660-00	10- 9	307-18188-01	9- 2	5H5-23107-00	22-21
4F2-15666-00	10- 7	3M5-18511-00	14-11	5K9-23110-00	22- 2
401-15676-00	11-12	3M5-18512-00	14-12		22-19
401-16111-00-30	11- 2	3M5-18513-00	14-13	5H5-23111-00	22-10
4Y2-16150-01	11- 3	2A6-18531-00	14-14		22-27
131-16154-00	11- 1	2A6-18535-00	14-15	5H5-23118-00	22- 9
4Y2-16300-00	11- 6	3M5-18540-01	14- 1		22-26
1V1-16321-00	11- 5	136-18542-00	14- 7	11L-23121-00	22-39
1V1-16324-00	9- 6	164-18561-00	14- 4	11L-23122-00	22-37
241-16341-01	9- 4	4Y2-18579-00	14- 9	11L-23131-00	22-40
3M5-16342-00	9- 8	164-18589-00	14- 8	11L-23132-00	22-38
132-16346-00	11- 7	11L-21110-01-33	16- 1	5K9-23141-00	22- 7
4Y2-16351-01	11-18	1V1-21155-00	19-12		22-24
137-16356-00	11-20	4X8-21308-00	16-10	5H0-23144-00	22-17
137-16357-00	11- 4	4Y2-21343-01	16-12		22-34
560-16357-00	12- 8	11L-21510-00-93	17- 1	5H5-23154-00	22-13
4Y2-16371-00	12- 6	1A0-21518-00	17- 3		22-30
427-17121-01	12- 3	290-21521-01	17- 4	5H5-23170-00	22- 3
3M5-17131-00	12- 7	4X8-21522-00	17- 7		22-20
3M5-17141-00	12-12	5K9-21610-00-93	17- 8	5H5-23173-00	22-14
3M5-17151-01	12-15	4X8-21621-00	17-16		22-31
3M5-17211-01	12-16	1V1-21629-00	17-13	5H5-23318-00	22-41
3M5-17221-00	12-17	5K9-21711-00-2L	18- 1	5K9-23340-00	22-35
3M5-17231-00	12-18	5K9-21711-00-6G	18- 1	4N4-23395-00	21-19
3M5-17241-00	12- 1	5K9-21711-00-63	18- 1	122-23411-00	21- 3
3M5-17251-00	12- 2	5K9-21721-00-2L	18- 3	156-23411-00	21- 2
3M5-17410-00	12- 2	5K9-21721-00-6G	18- 3	122-23412-00	21- 4
1V1-17411-10	10- 2	5K9-21721-00-63	18- 3	156-23412-00	21- 1
137-17417-00-05	10- 2	4X8-21745-00	19- 9	122-23416-00	21- 7
137-17417-00-06	10- 2	1Y8-21750-01	19- 1	1V1-23435-00-98	21-11
137-17417-00-07	10- 2	1V1-21761-02	19- 2	1E6-23441-00-98	21-17
137-17417-00-10	12-11	2N3-21763-01	19- 3	5K9-24110-00-05	23- 1
137-17417-00-12	12-14	2N3-21764-00	19- 4	5K9-24110-00-06	23- 1
558-17421-00	12-26	1T9-21771-00	19- 5	5K9-24110-00-07	23- 1
164-17427-00-06	12-26	1V1-21776-00	19-14	4Y2-24161-00	23-20
174-17461-40					
174-17461-50					

NUMERICAL INDEX

PART NO.	REF. NO.	PART NO.	REF. NO.
90202-06010	23-28	90461-10071	4-25
90202-08125	24-12	90462-05012	3-18
90208-12015	11-11	90464-08020	17-14
	11-15	90464-20031	36-21
90209-06174	35-13	90464-30024	36-22
90209-08050	16- 9	90467-08003	19-11
90209-10020	21- 9		23-24
90209-22071	2- 7	90467-20050	5-20
	39- 5	90468-02033	4-11
	15- 6		4-24
90215-08014	12-29	90468-26048	10- 6
90215-16127	20-10	90480-12053	5-14
90240-06052	15-12		5-26
90240-08053	30-14		18- 2
90249-12008	31- 4	90480-14102	5-27
90269-07033	2- 8	90480-16110	3- 9
90280-03017	11-13	90480-18171	19- 7
90282-05005	8-12	90480-18330	31-14
90340-12005	9-19	90480-22305	24- 9
90381-08002	19- 8	90480-25189	23- 5
90385-08029	19- 6	90501-10245	30-12
90385-24028	24-13	90501-10312	37- 7
90387-056E7	5-28	90501-10353	14-18
90387-07390	35-14	90501-12081	10-14
90387-07392	24- 8	90501-20568	11- 8
90387-08778	31-15	90501-20618	5-18
90387-08785	13- 3	90506-08122	15- 2
90387-10087	27-41	90506-09112	14-22
90387-15425	25-15	90506-10069	9- 7
90387-15734	27-42	90506-16036	27-11
90387-20165	12-27	90506-25047	30-20
90387-20491	2-13	90506-29054	30- 4
90387-205E9	28-20	90508-26484	10- 8
90387-220G4	29- 9	90508-32056	30- 8
90401-10034	4- 7	90508-32263	15- 3
90430-04004	36-18	90560-15136	27- 2
90430-11034	8-13	90560-17147	11-17
90430-12038	22-36	91311-08025	22-16
90430-31162	4-12		22-33
90445-05266	36- 2	91316-08025	10-18
90445-08336	23-23	91401-16012	15-14
90445-09079	19-10		20-11
90445-09107	5-17	91401-16015	38-35
90445-21552	8-11	91401-20015	27-37
90446-07009	5-19		30-10
90460-23171	5-10	91401-30030	25-19
90460-43053	5-12		27-44
90460-49058	3- 8	91609-50016	14- 3
90461-05036			

PART NO.	REF. NO.	PART NO.	REF. NO.
91830-21014	8- 5		
	9- 9		
	9-20		
91830-24016	8- 6		
92501-06010	7- 8		
	14-10		
92501-06012	3-28		
	12-22		
	20-13		
	36- 6		
	36-10		
92501-06015	5-15		
	5-31		
	9-17		
	9-26		
	20-15		
92501-06020	3-24		
92501-06025	9-16		
	13- 8		
	36-12		
92501-06030	9-10		
92501-06035	9-21		
92501-06040	5-24		
92501-06045	8- 2		
	9-11		
92501-06055	8- 3		
	9-22		
92501-06065	8- 4		
	9-12		
92501-08010	8- 9		
92506-06025	29-14		
92701-06015	3-17		
92701-06030	16-11		
92901-03200	33-18		
92901-04100	3-14		
	3-16		
	6-14		
	33-16		
	38-14		
92901-04200	33-15		
92901-05100	3-21		
	4- 5		
	14- 5		
	34-15		
92901-05600	3-22		
	17- 6		
	17-20		

PART NO.	REF. NO.	PART NO.	REF. NO.
92901-06100	3-29		
	7- 9		
	29- 8		
	35- 8		
	35-12		
	36- 7		
	36-11		
	36-13		
	37-17		
92901-06200	5-25		
	24-26		
92901-06600	5- 9		
	20-14		
	20-16		
	30-11		
	30-13		
92901-08100	16- 7		
	17-10		
	21-13		
	27-36		
92901-08600	33-32		
92901-10100	16- 8		
	22-43		
	26-14		
	32- 6		
	32- 8		
	32-16		
	32-18		
	26-15		
92901-10200	9-12		
92901-12100	2-10		
92901-12200	20- 5		
92901-14200	25-20		
92902-05100	16-17		
92902-05200	16-16		
92902-06100	3-25		
92902-06600	3-26		
92902-08100	24- 6		
92903-03100	33-19		
92906-04100	33-30		
92906-05200	21-21		
92906-06100	31-12		
92906-08100	31- 9		
93101-10002	4-18		
93101-17062	10-10		
93102-25061	2-16		
93102-26042	12-24		
93103-28011	2-17		
93104-11028	9- 5		

NUMERICAL INDEX

PART NO.	REF. NO.	PART NO.	REF. NO.
93104-22018	27- 6	93505-16006	14-19
93105-45017	25- 6	93505-32002	4- 8
93106-22016	25- 5	93507-32009	10-13
93106-26005	27-20	93603-22028	4-21
93109-05022	11-21	93604-22050	14- 2
93109-08017	13- 7	94127-18202	25-10
93109-14005	15- 7	94130-18200	27-27
93110-30008	22- 5	94227-18010	25-11
	22-22	94230-18084	27-28
	33-35	94325-18043	25-12
93210-14104	2-12		27-29
93210-18023	9-28	94414-18007	27-30
93210-19123	22-11	94414-18089	25-13
93210-21276	22-28	94580-24110	27-49
	27- 7	94680-24001	27-50
93210-42101	27-19	94701-00050	1- 1
93306-00406	27- 5	95301-03600	33-20
93306-20204	25- 4	95301-04600	33-17
93306-20205	27- 4	95301-05600	4- 4
	2-15		17-18
93306-20529	12-20	95301-06600	11-23
93306-30303	12-23		24-27
93306-30401	2-14		27-15
93306-30405	2-20		35- 9
93310-216J2	39- 6		35-11
	2- 6		36-14
	39- 4		36-24
93310-422L0	12-19	95301-08600	17-11
	12-25		21-14
93311-31515	12- 5		23- 7
	12-10		27-38
93410-20038	27-18		34-18
93420-42007	4-22	95301-08700	27-35
93430-08006	10-16		27-48
93430-10016	15-18		30-22
	30- 6	95301-10600	32- 7
93430-12008	15- 9		32- 9
93430-12009	9- 3		32-17
93440-11029	10- 3		32-19
93440-15012	12-13	95302-05600	16-18
	2-21	95306-05600	33-27
93450-17025	2-21	95306-08600	31-10
93450-27071	22-12	95601-06100	37- 5
	22-29		37-18
93450-43072	22- 6		7- 5
	22-23	95701-08100	16- 6
	21- 5	95701-10100	24-14
93501-04011	11-19	95702-05100	17-12
93503-16010	21- 6		

NUMERICAL INDEX

PART NO.	REF. NO.
95801-06012	19-13
95801-06014	23-27
95801-06016	24-25
95801-08012	24-20
95801-08016	7-12
95801-08020	30-18
95801-08055	21-12
95806-08012	16-13
	36-30
95821-06016	17- 2
95821-08035	21-18
95821-08045	24-17
97301-06016	36-23
97301-06022	37-16
97301-06025	5- 8
	5-30
97301-06030	35-10
97301-08020	17- 9
97301-08025	33-31
97301-08030	34-16
97302-08030	24- 5
97306-060 6	31-11
97306-08018	31- 7
97306-08025	31-16
97321-06020	15-19
97321-06025	29- 7
97321-10035	22-42
97602-03108	5- 5
97701-40120	35- 6
97701-40535	32- 5
	32-15
97706-40116	33- 5
	33-10
98501-04006	3-15
98501-04012	3-11
98501-04016	6-13
	38-13
98501-04025	3-12
98501-05010	23-19
98501-05012	14- 6
	17- 5
	34-14
98501-05016	4-17
	17-19
98501-05018	28-15
98501-05020	3-20
98501-05030	37- 9
98503-04010	3-13

PART NO.	REF. NO.
98506-04012	33-29
98506-05010	21-20
98706-04012	29- 5
98901-04008	4- 6

PART NO.	REF. NO.
----------	----------

**COPY RIGHT: ALL RIGHTS RESERVED
NO PART OF THIS PUBLICATION MAY BE
REPRODUCED WITHOUT PERMISSION.**



**PRINTED IN JAPAN
First edition Oct., 1983**

T6