

PARTS CATALOGUE

TTR250N (5GF7) U49
TTR250NC (5GF8) CALIFORNIA
TTR250N (5GF9) CANADA

YAMAHA
GENUINE
Parts & Accessories

115GF-100E1



A3

FOREWORD

This Parts Catalogue is related to the parts for the model(s) in the below frame. When you are ordering replacement parts, please refer to this Parts Catalogue and quote both part numbers and part names correctly.

TTR250N(5GF7/5GF9), TTR250NC(5GF8)

1. Modifications or additions which have been made after issue of the Parts Catalogue will be announced in the Yamaha Parts News. It is advisable that you make necessary corrections to the Parts Catalogue according to the Yamaha Parts News.

2. Abbreviations

The Following abbreviations are used in this Parts Catalogue.

"UR" Use specified parts number.

"UN" Use as many as needed.

"AP" Alternate Parts

"LM" Local Made (Parts need to be ordered locally)

"F#" Frame No. (Applicable machine No.)

3. Parts, which are to be supplied in an assembly, are listed with a dot(.) in front of the part name as shown below.

EXAMPLE

CARBURETOR ASSY

.JET, PILOT

.NOZZLE, MAIN

4. Number of component for assembly

The numeral appearing to the right of each component part indicates the quantity of parts for each assembly unit.

EXAMPLE

PART NO.	DESCRIPTION	Q'TY	REMARKS
2F5-83310-60	FRONT FLASHER LIGHT ASSY	2	
115-83311-60	.BULB (6V-18W)	1	
1M1-83309-60	.REFLECTOR	1	

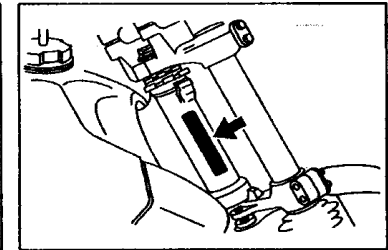
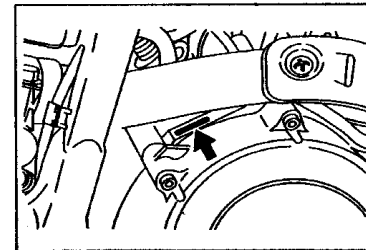
5. Applicable colors of graphics are represented in the "REMARKS" as shown below.

PART NO.	DESCRIPTION	Q'TY	REMARKS
2N4-24110-00-X5	.FUEL TANK COMP.	2	MXR
3J1-24240-10	.GRAPHIC, FUEL TANK	1	for MXR

6. Applicable Serial No.

Engine Serial No.

Frame Serial No.



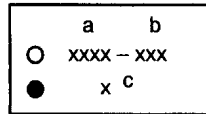
7. Note that the illustrations for reference in finding parts numbers, not to be used for assembling. When assembling, please use the applicable service manual.

8. The asterisk (*) before a reference number indicates modification items after the first edition.

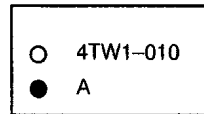
MODEL LABEL

(1) A label called "Model Label" is affixed in the location as indicated in (3) below.
 When using this parts catalogue, please be sure to cross-refer the "model code - production code No." in the catalogue to the "model code - production code No." indicated on the Model Label affixed onto the product concerned.

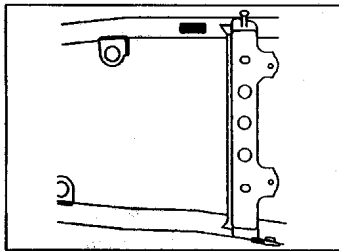
(2) "Model Label" Indication



a: Model Type Code
 b: Production Code No.
 c: Colouring Type



(3) Model Label Affixing Location



(4) Model Code - Production Code Number of Model Listed in This Parts Catalog

Model Code	Production Code No.	Country (destination)	Model Code	Production Code No.	Country (destination)
5GF7	010	U49			
5GF8	010	CALIFORNIA			
5GF9	010	CANADA			

(5) Colouring Information

Model Code	Colouring type code	Colour code	Colour Name	Abbreviation
5GF7	A	0583	DEEP PURPLISH BLUE SOLID E	DPBSE
5GF8				
5GF9				

CONTENTS

ENGINE

CYLINDER HEAD	B2
CYLINDER	B3
CRANKSHAFT. PISTON	B4
VALVE	B6
CAMSHAFT. CHAIN	B8
OIL PUMP	B9
INTAKE	B10
CARBURETOR	B12
EXHAUST	B14
CRANKCASE	B15
CRANKCASE COVER 1	C2
STARTER CLUTCH	C4
CLUTCH	C5
TRANSMISSION	C7
SHIFT CAM. FORK	C9
SHIFT SHAFT	C10

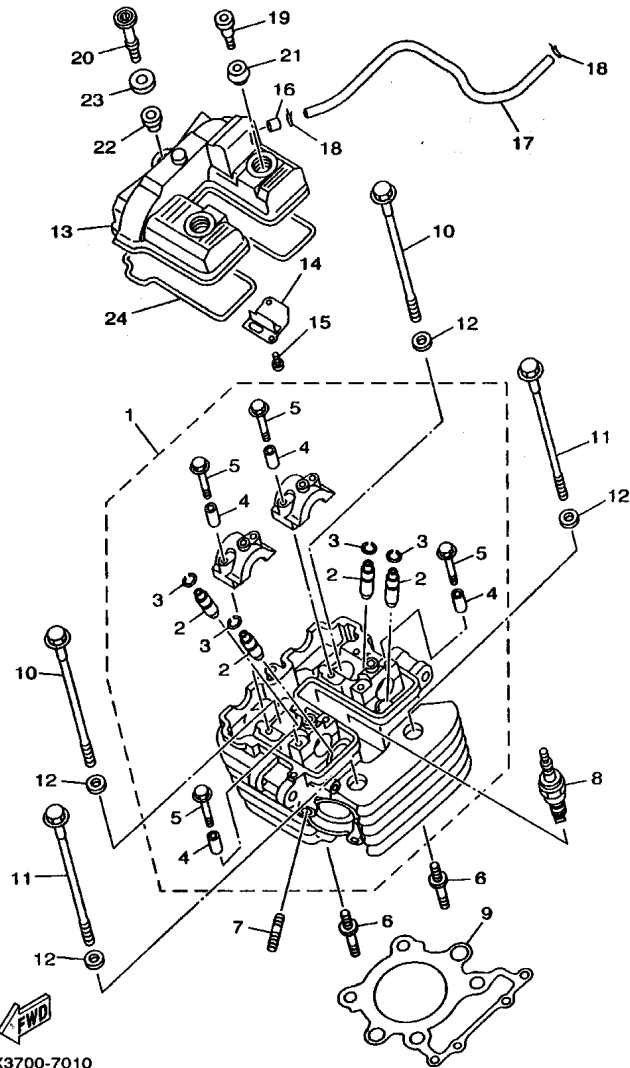
CHASSIS

FRAME	C11
FENDER	C13
SIDE COVER	C14
REAR ARM	C15
REAR SUSPENSION	D3
STEERING	D4
FRONT FORK	D5
FUEL TANK	D8
SEAT	D10
FRONT WHEEL	D11
FRONT BRAKE CALIPER	D12
REAR WHEEL	D13

REAR BRAKE CALIPER	D14
STEERING HANDLE. CABLE	D15
FRONT MASTER CYLINDER	E2
STAND. FOOTREST	E3
REAR MASTER CYLINDER	E4
GENERATOR	E5
STARTING MOTOR	E6
METER	E7
HEADLIGHT	E8
TAILLIGHT	E9
HANDLE SWITCH. LEVER	E10
ELECTRICAL 1	E11
ELECTRICAL 2	E13

INDEX

NUMERICAL INDEX	M1
-----------------------	----

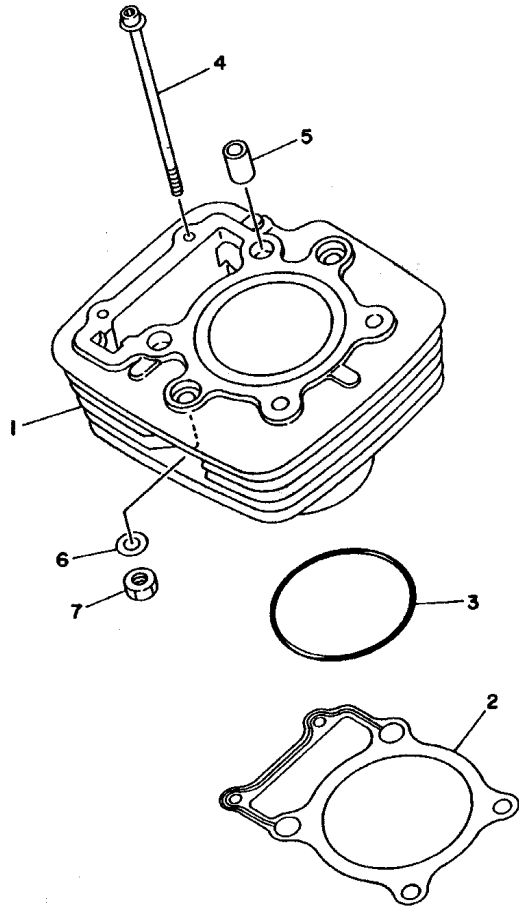


4PX3700-7010

FIG. 1 CYLINDER HEAD

REF. NO.	PART NO.	DESCRIPTION	SGF7	SGF8	SGF9	REMARKS
1	4GY-11102-02	CYLINDER HEAD ASSY	1	1	1	
2	4GY-11133-10	.GUIDE, INTAKE VALVE	4	4	4	
3	93440-09141	.CIRCLIP	4	4	4	
4	91808-16023	.PIN, DOWEL	8	8	8	
5	90105-06384	.BOLT, WASHER BASED	8	8	8	
6	90116-10578	BOLT, STUD	2	2	2	
7	95617-08325	BOLT, STUD	2	2	2	
8	94701-00318	PLUG, SPARK (NGK R CR9E)	1	1	1	UR
	94701-00319	PLUG, SPARK (ND U27ESR-N)	1	1	1	UR
9	4GY-11181-01	GASKET, CYLINDER HEAD 1	1	1	1	
10	90105-10608	BOLT, WASHER BASED	2	2	2	
11	90105-10745	BOLT, WASHER BASED	2	2	2	
12	90201-101A4	WASHER, PLATE	4	4	4	
13	4RR-11191-02	COVER, CYLINDER HEAD 1	1	1	1	
14	4RR-11165-01	PLATE, BREATHER	1	1	1	
15	98507-05010	SCREW, PAN HEAD	2	2	2	
16	59V-11167-00	PIPE, BREATHER 2	1	1	1	
17	4RR-11166-00	PIPE, BREATHER 1	1	1	1	
18	90467-12052	CLIP	2	2	2	
19	90109-066F0	BOLT	2	2	2	
20	90109-06605	BOLT	1	1	1	
21	4BR-1111G-00	RUBBER, MOUNT 1	2	2	2	
22	2GH-1111G-00	RUBBER, MOUNT 1	1	1	1	
23	90209-11262	WASHER	1	1	1	
24	4GY-11193-00	GASKET, HEAD COVER 1	1	1	1	

FIG. 2 CYLINDER



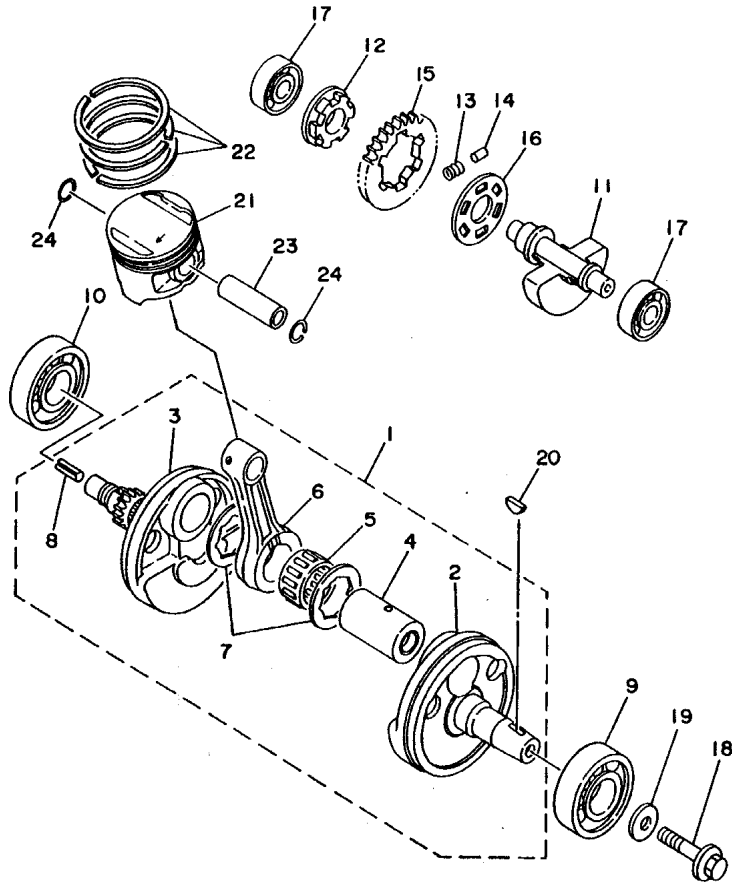
REF. NO.	PART NO.	DESCRIPTION	SGF7	SGF8	SGF9	REMARKS
1	4GY-11310-01	CYLINDER	1	1	1	
2	4GY-11351-00	GASKET, CYLINDER	1	1	1	
3	93210-78544	O-RING	1	1	1	
4	90105-06406	BOLT, WASHER BASED	2	2	2	
5	99530-14016	PIN, DOWEL	2	2	2	
6	90201-08366	WASHER, PLATE	2	2	2	
7	95337-08600	NUT	2	2	2	



4GY1010-3020

B3

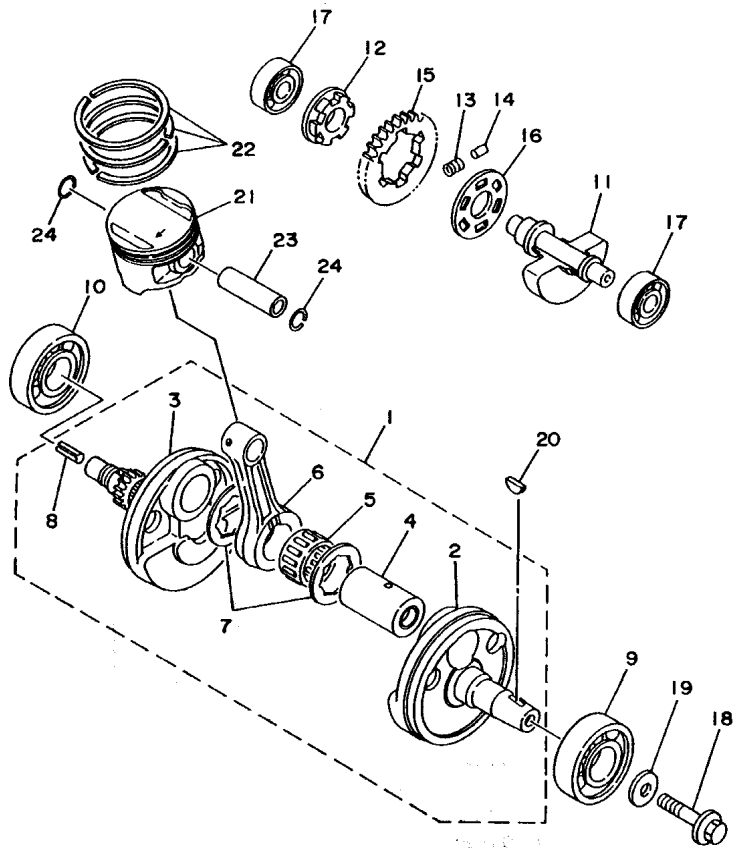
FIG. 3 CRANKSHAFT. PISTON



FWD
46Y1010-3030

REF. NO.	PART NO.	DESCRIPTION	5GF7	5GF8	5GF9	REMARKS
1	4GY-11400-00	CRANKSHAFT ASSY	1	1	1	
2	4GY-11412-00	.CRANK 1	1	1	1	
3	4GY-W1142-00	.CRANK 2	1	1	1	
4	4GY-11681-00	.PIN, CRANK 1	1	1	1	
5	93310-632D7	.BEARING	1	1	1	
6	4GY-11651-00	.ROD, CONNECTING	1	1	1	
7	90209-32328	.WASHER	2	2	2	
8	90254-07017	.PIN, SPRING	1	1	1	
9	93306-37804	BEARING	1	1	1	
10	93306-37807	BEARING	1	1	1	
11	4GY-11454-00	WEIGHT 1	1	1	1	
12	4GY-11496-00	BOSS, BUFFER	1	1	1	
13	90501-22721	SPRING, COMPRESSION	6	6	6	
14	93605-10090	PIN, DOWEL	3	3	3	
15	4GY-11531-00	GEAR, BALANCE WT	1	1	1	
16	4GY-11533-00	PLATE, ABSORBER	1	1	1	
17	93306-30210	BEARING	2	2	2	
18	90105-10430	BOLT, WASHER BASED	1	1	1	
19	90201-102R1	WASHER, PLATE	1	1	1	
20	90280-05013	KEY, WOODRUFF	1	1	1	
21	4GY-11631-00-C0	PISTON (STD)	1	1	1	
	4GY-11636-00	PISTON (0.50MM O/S)	1	1	1	AP
	4GY-11638-00	PISTON (1.00MM O/S)	1	1	1	AP
22	4GY-11603-00	PISTON RING SET (STD)	1	1	1	
	4GY-11605-00	PISTON RING SET (0.50MM O/S)	1	1	1	AP
	4GY-11607-00	PISTON RING SET (1.00MM O/S)	1	1	1	AP
23	30X-11633-03	PIN, PISTON	1	1	1	

B4



4GY1010-3030

FIG. 3 CRANKSHAFT. PISTON

REF. NO.	PART NO.	DESCRIPTION	5GF7	5GF8	5GF9	REMARKS
24	93450-19052	CIRCLIP	2	2	2	

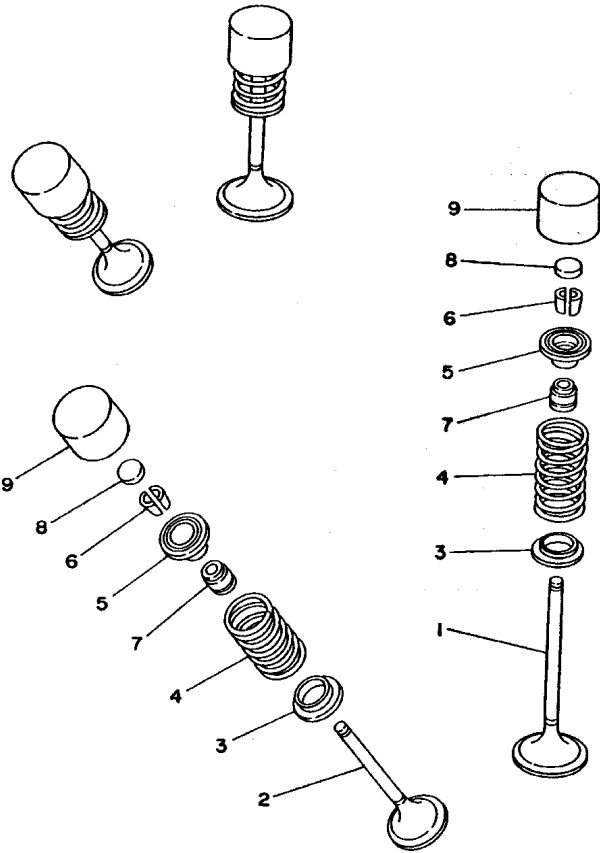
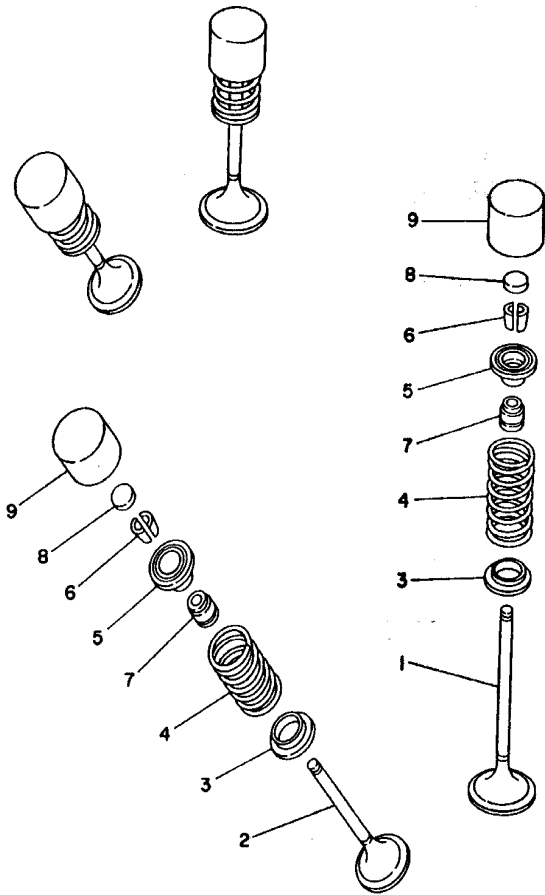


FIG. 4 VALVE

REF. NO.	PART NO.	DESCRIPTION	5GF7	5GF8	5GF9	REMARKS
1	4GY-12111-00	VALVE, INTAKE	2	2	2	
2	4GY-12121-00	VALVE, EXHAUST	2	2	2	
3	2GH-12116-00	SEAT, VALVE SPRING	4	4	4	
4	4GY-12113-00	SPRING, VALVE INNER	4	4	4	
5	4GY-12117-00	RETAINER, VALVE SPRING	4	4	4	
6	1AA-12118-00	COTTER, VALVE	8	8	8	
7	33M-12119-00	SEAL, VALVE STEM	4	4	4	
8	3LD-12168-00	PAD, ADJUSTING (1.20)	4	4	4	UR
	3LD-12168-20	PAD, ADJUSTING (1.25)	4	4	4	UR
	3LD-12168-40	PAD, ADJUSTING (1.30)	4	4	4	UR
	3LD-12168-60	PAD, ADJUSTING (1.35)	4	4	4	UR
	3LD-12168-80	PAD, ADJUSTING (1.40)	4	4	4	UR
	3LD-12168-A0	PAD, ADJUSTING (1.45)	4	4	4	UR
	3LD-12168-F0	PAD, ADJUSTING (1.50)	4	4	4	UR
	3LD-12168-H1	PAD, ADJUSTING (1.55)	4	4	4	UR
	3LD-12168-K1	PAD, ADJUSTING (1.60)	4	4	4	UR
	3LD-12168-M1	PAD, ADJUSTING (1.65)	4	4	4	UR
	3LD-12168-R1	PAD, ADJUSTING (1.70)	4	4	4	UR
	3LD-12168-U1	PAD, ADJUSTING (1.75)	4	4	4	UR
	3LD-12168-W1	PAD, ADJUSTING (1.80)	4	4	4	UR
	3LD-12168-Y1	PAD, ADJUSTING (1.85)	4	4	4	UR
	3LD-12169-11	PAD, ADJUSTING (1.90)	4	4	4	UR
	3LD-12169-31	PAD, ADJUSTING (1.95)	4	4	4	UR
	3LD-12169-50	PAD, ADJUSTING (2.00)	4	4	4	UR
	3LD-12169-70	PAD, ADJUSTING (2.05)	4	4	4	UR
	3LD-12169-90	PAD, ADJUSTING (2.10)	4	4	4	UR
	3LD-12169-E0	PAD, ADJUSTING (2.15)	4	4	4	UR


4GY1010-3040

B6



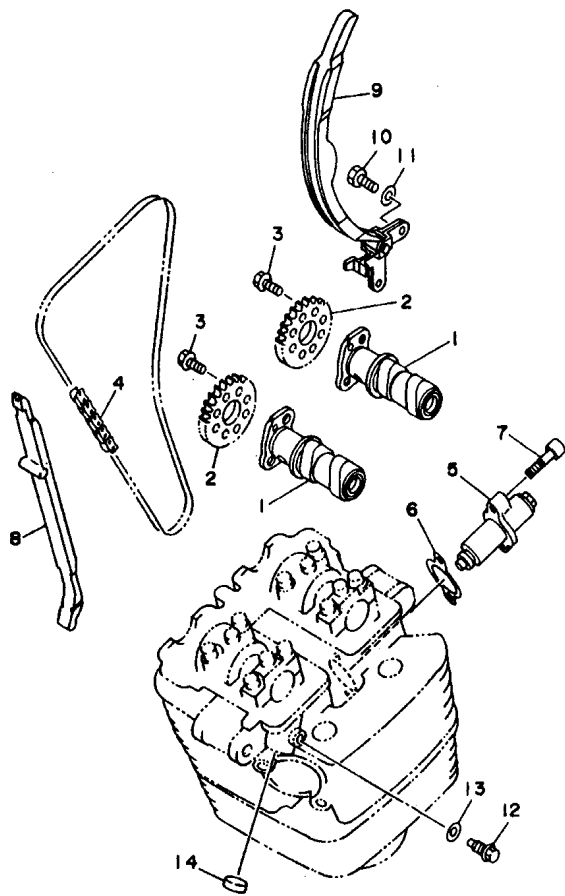
FWD
4GY1010-3040

FIG. 4 VALVE

REF. NO.	PART NO.	DESCRIPTION	SGF7	SGF8	SGF9	REMARKS
8	3LD-12169-G0	PAD, ADJUSTING (2.20)	4	4	4	UR
	3LD-12169-J0	PAD, ADJUSTING (2.25)	4	4	4	UR
	3LD-12169-L0	PAD, ADJUSTING (2.30)	4	4	4	UR
	3LD-12169-N0	PAD, ADJUSTING (2.35)	4	4	4	UR
	3LD-12169-T0	PAD, ADJUSTING (2.40)	4	4	4	UR
9	1WG-12153-21	LIFTER, VALVE	4	4	4	UR BLUE
	1WG-12153-31	LIFTER, VALVE	4	4	4	UR RED

B7

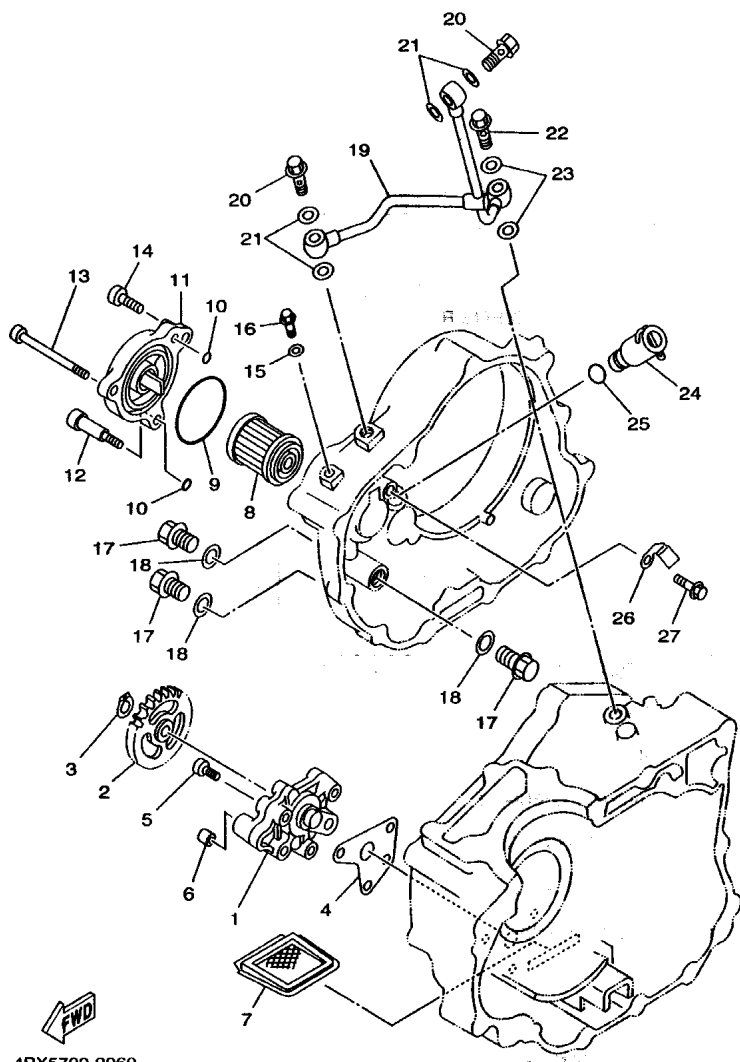
FIG. 5 CAMSHAFT. CHAIN




4PX3700-7050

REF. NO.	PART NO.	DESCRIPTION	5GF7	5GF8	5GF9	REMARKS
1	4GY-12171-00	CAMSHAFT 1	2	2	2	
2	4GY-12176-00	SPROCKET, CAM CHAIN	2	2	2	
3	90105-07385	BOLT, WASHER BASED	4	4	4	
4	94591-43122	CHAIN	1	1	1	
5	3GC-12210-10	TENSIONER ASSY, CAM CHAIN	1	1	1	
6	4FM-12213-00	GASKET, TENSIONER CASE	1	1	1	
7	91317-06025	BOLT	2	2	2	
8	4GY-12251-00	DAMPER, CHAIN 1	1	1	1	
9	4GY-12252-00	DAMPER, CHAIN 2	1	1	1	
10	97027-06016	BOLT	2	2	2	
11	92907-06600	WASHER, PLATE	2	2	2	
12	90109-06418	BOLT	1	1	1	
13	90430-06014	GASKET	1	1	1	
14	90338-18067	PLUG	1	1	1	

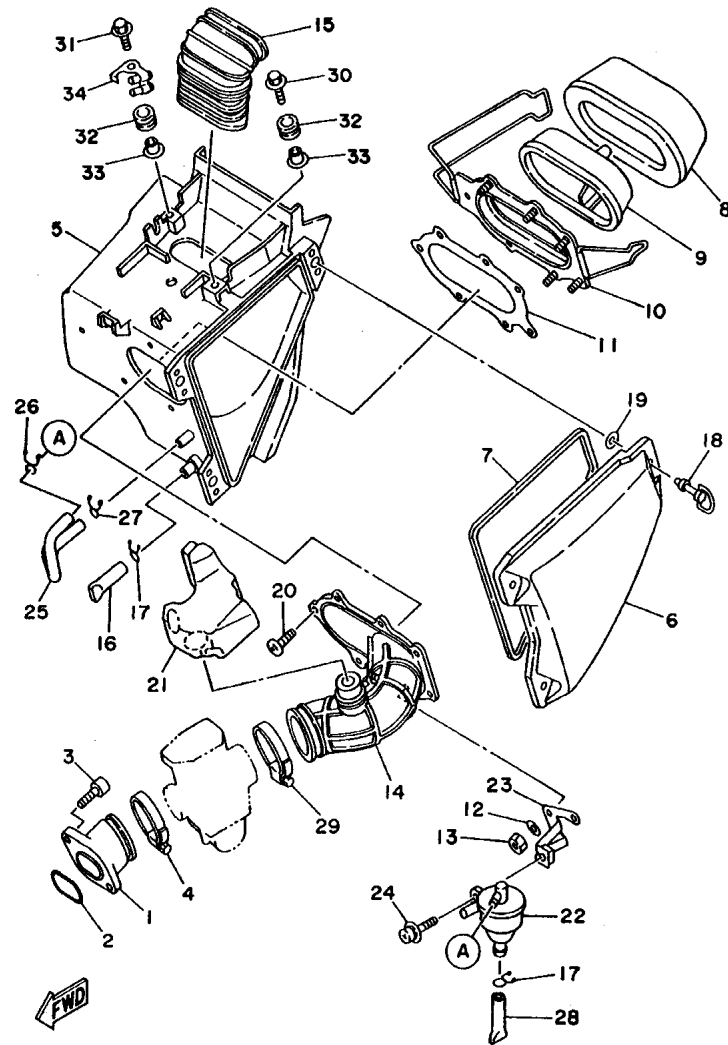
FIG. 6 OIL PUMP



4PX5700-9060

REF. NO.	PART NO.	DESCRIPTION	SGF7	SGF8	SGF9	REMARKS
1	4GY-13300-01	OIL PUMP ASSY	1	1	1	
2	4GY-13326-00	GEAR, PUMP DRIVEN 2	1	1	1	
3	99009-11400	CIRCLIP	1	1	1	
4	4GY-13329-00	GASKET, PUMP COVER	1	1	1	
5	98507-06035	SCREW, PAN HEAD	3	3	3	
6	90430-06156	GASKET	1	1	1	
7	22F-13411-01	STRAINER, OIL	1	1	1	
8	1UY-13440-02	ELEMENT ASSY, OIL CLEANER	1	1	1	
9	93210-54175	O-RING	1	1	1	
10	93210-07135	O-RING	2	2	2	
11	4GY-13447-00	COVER, OIL ELEMENT	1	1	1	
12	90109-06419	BOLT	1	1	1	
13	91317-06070	BOLT	1	1	1	
14	91317-06020	BOLT	1	1	1	
15	90430-06014	GASKET	1	1	1	
16	90153-06029	SCREW, HEXAGON	1	1	1	
17	90105-122A1	BOLT, WASHER BASED	3	3	3	
18	90430-12213	GASKET	3	3	3	
19	4GY-13161-00	PIPE, DELIVERY 1	1	1	1	
20	90401-10096	BOLT, UNION	2	2	2	
21	90430-10171	GASKET	4	4	4	
22	90401-08133	BOLT, UNION	1	1	1	
23	90430-08119	GASKET	2	2	2	
24	4GY-13490-00	RELIEF VALVE ASSY	1	1	1	
25	93210-10096	O-RING	1	1	1	
26	4GY-13151-00	STAY	1	1	1	
27	90105-06553	BOLT, WASHER BASED	1	1	1	

FIG. 7 INTAKE



4GY1010-3070

REF. NO.	PART NO.	DESCRIPTION	SGF7	SGF8	SGF9	REMARKS
1	4GY-13586-00	JOINT, CARBURETOR 1	1	1	1	
2	93210-40659	O-RING	1	1	1	
3	91317-06020	BOLT	2	2	2	
4	90460-52210	CLAMP, HOSE	1	1	1	
5	4GY-14401-00	AIR CLEANER CASE ASSY	1	1	1	
6	4GY-14412-00	CAP, CLEANER CASE 1	1	1	1	
7	15A-14462-00	SEAL	1	1	1	
8	1LN-14451-00	ELEMENT, AIR CLEANER	1	1	1	
9	4GY-14458-00	GUIDE	1	1	1	
10	4GY-14459-00	HOLDER, GUIDE	1	1	1	
11	1LN-14462-00	SEAL	1	1	1	
12	92907-05200	WASHER	3	3	3	
13	95607-05100	NUT, U	5	5	5	
14	4GY-14453-00	JOINT, AIR CLEANER 1	1	1	1	
15	4GY-14437-00	DUCT	1	1	1	
16	3AJ-1443E-00	PIPE, DRAIN	1	1	1	
17	90467-15012	CLIP	2	2	2	
18	4GY-28386-00	HEAD	3	3	3	
19	2TK-21757-00	WASHER, SPECIAL 1	3	3	3	
20	90154-05004	SCREW, BINDING	2	2	2	
21	4GY-13591-00	CHAMBER, AIR 2	1	1	1	
22	4GY-15370-00	BREATHER ASSY	1	1	1	
23	4GY-14413-00	STAY	1	1	1	
24	90159-06056	SCREW, WITH WASHER	1	1	1	
25	4GY-11167-00	PIPE, BREATHER 2	1	1	1	
26	90467-11106	CLIP	1	1	1	
27	90467-12052	CLIP	1	1	1	

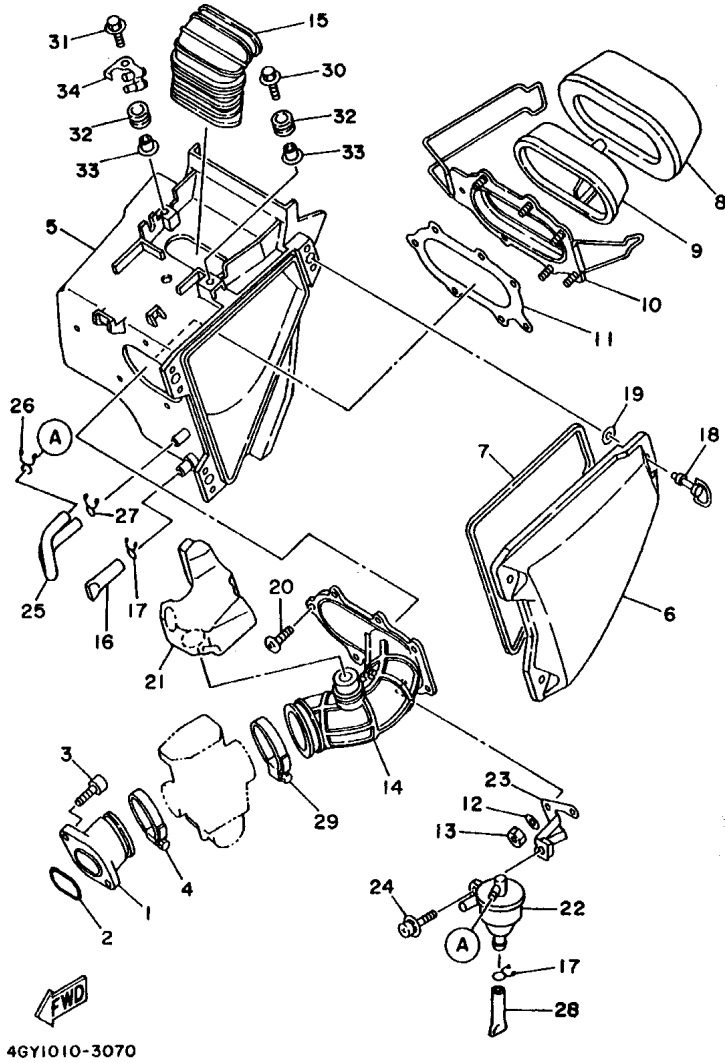


FIG. 7 INTAKE

REF. NO.	PART NO.	DESCRIPTION	SGF7	SGF8	SGF9	REMARKS
28	4GY-1443E-00	PIPE, DRAIN	1	1	1	
29	90460-58124	CLAMP, HOSE	1	1	1	
30	90119-06096	BOLT, WITH WASHER	1	1	1	
31	90119-06097	BOLT, WITH WASHER	2	2	2	
32	90480-13428	GROMMET	3	3	3	
33	90387-06737	COLLAR	3	3	3	
34	4GY-14485-00	PIPE, JOINT	1	1	1	

B11

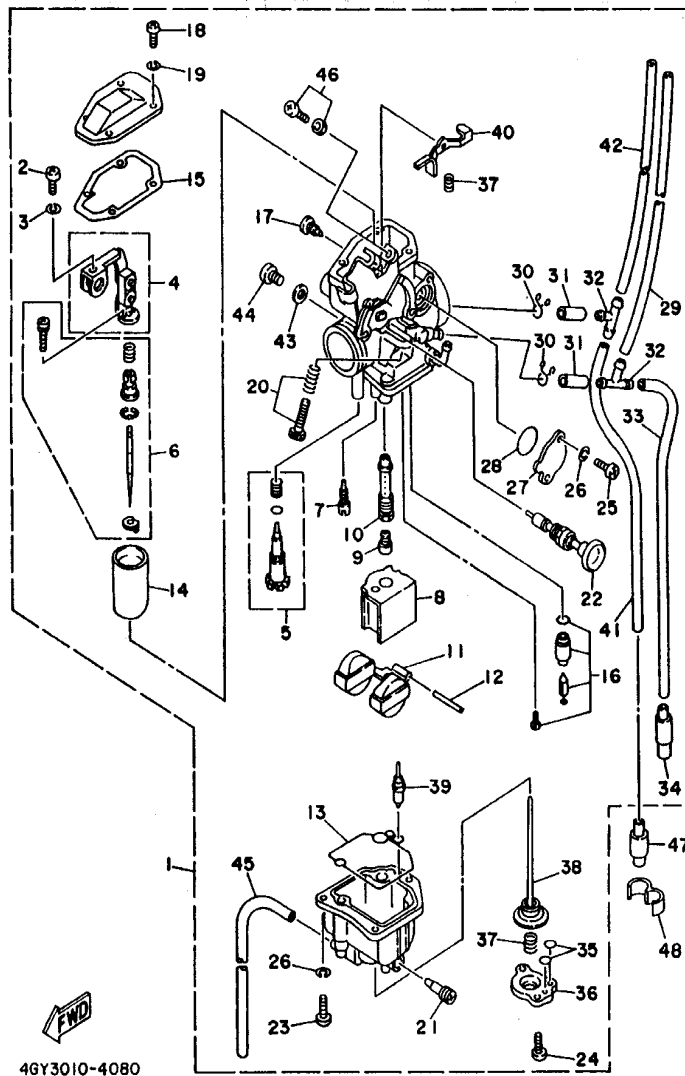
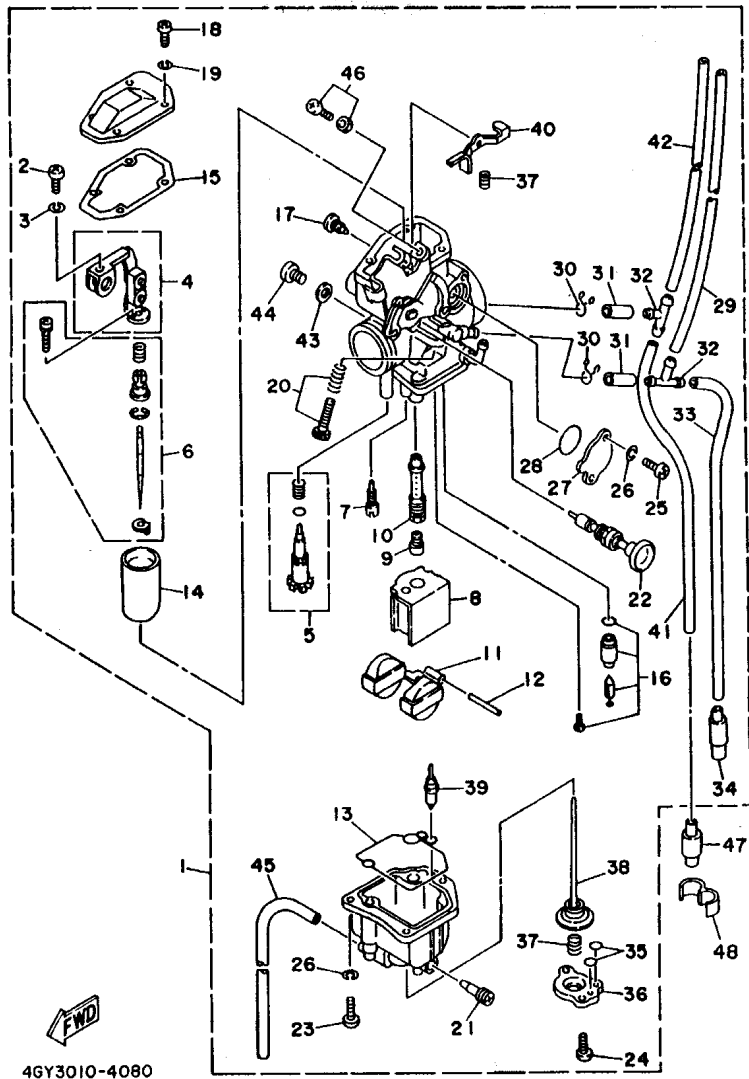


FIG. 8 CARBURETOR

REF. NO.	PART NO.	DESCRIPTION	5GF7	5GF8	5GF9	REMARKS
1	5GF-14301-01	CARBURETOR ASSY 1	1	1	1	
2	98580-04016	.SCREW, PAN HEAD	1	1	1	
3	92990-04100	.WASHER, SPRING	1	1	1	
4	4GY-14292-01	.BRACKET 2	1	1	1	
5	4GY-14105-00	.PILOT SCREW SET	1	1	1	
6	4GY-1490J-00	.NEEDLE SET	1	1	1	
7	43F-14342-25	.JET, PILOT (# 50)	1	1	1	
8	4GY-14153-01	.WASHER, MAIN JET	1	1	1	
9	4GY-14329-69	.JET, MAIN (#137)	1	1	1	
10	4GY-14341-20	.NOZZLE, MAIN	1	1	1	
11	2JN-14385-00	.FLOAT	1	1	1	
12	689-14386-00	.PIN, FLOAT	1	1	1	
13	4GY-14384-00	.GASKET, FLOAT CHAMBER	1	1	1	
14	4GY-14312-40	.VALVE, THROTTLE 1	1	1	1	
15	4GY-14198-01	.GASKET	1	1	1	
16	4GY-14107-00	.NEEDLE VALVE SET	1	1	1	
17	4GY-14326-00	.SCREW, GUIDE	1	1	1	
18	98501-04008	.SCREW, PAN HEAD	4	4	4	
19	92901-04100	.WASHER, SPRING	4	4	4	
20	3GV-1490K-00	.STOP SCREW SET	1	1	1	
21	14T-14323-00	.SCREW	1	1	1	
22	2KF-14371-01	.PLUNGER, STARTER	1	1	1	
23	98501-04014	.SCREW, PAN HEAD	3	3	3	
24	214-24535-00	.SCREW, LEVER FITTING	2	2	2	
25	98501-04005	.SCREW, PAN HEAD	2	2	2	
26	92901-04100	.WASHER, SPRING	5	5	5	
27	4GY-14293-00	.COVER 1	1	1	1	

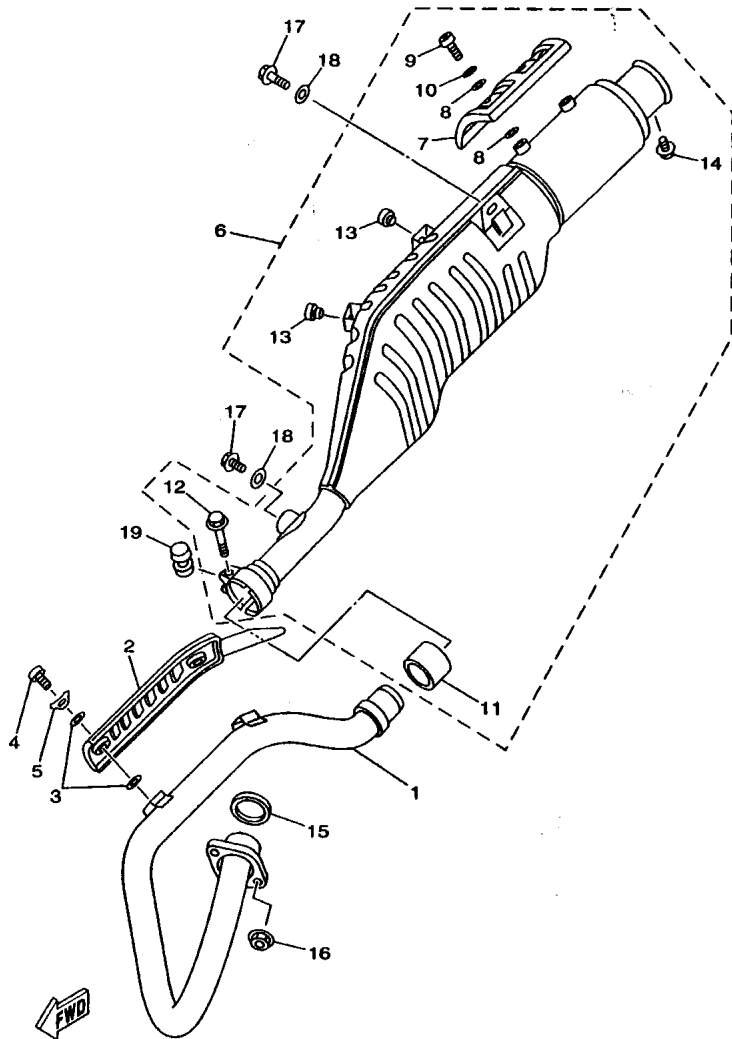


4GY3010-4080

FIG. 8 CARBURETOR

REF. NO.	PART NO.	DESCRIPTION	SGF7	SGF8	SGF9	REMARKS
28	1HV-14147-00	.O-RING	1	1	1	
29	3YF-14149-00	.PIPE	1	1	1	
30	3YF-14159-00	.CLIP	2	2	2	
31	4GY-14149-00	.PIPE	2	2	2	
32	90413-07007	.WAY 3	2	2	2	
33	4GY-14149-10	.PIPE	1	1	1	
34	24W-14193-00	.PIPE	1	1	1	
35	5Y1-14397-00	.O-RING	2	2	2	
36	4GY-14958-00	.COVER, DIAPHRAGM	1	1	1	
37	6G8-14275-00	.SPRING	2	2	2	
38	4GY-14940-00	.DIAPHRAGM ASSY	1	1	1	
39	4GY-14272-00	.VALVE, CHECK SEAT	1	1	1	
40	4GY-14276-00	.LEVER	1	1	1	
41	4GY-14149-20	.PIPE	1	1	1	
42	3YF-14196-00	.PIPE	1	1	1	
43	5H0-14126-00	.GASKET	1	1	1	
44	5H0-14991-00	.SCREW	1	1	1	
45	3UY-14197-00	.PIPE	1	1	1	
46	4GY-1490K-00	.STOP SCREW SET	1	1	1	
47	24W-14193-00	PIPE	1	1	1	
48	90468-15064	CLIP	1	1	1	

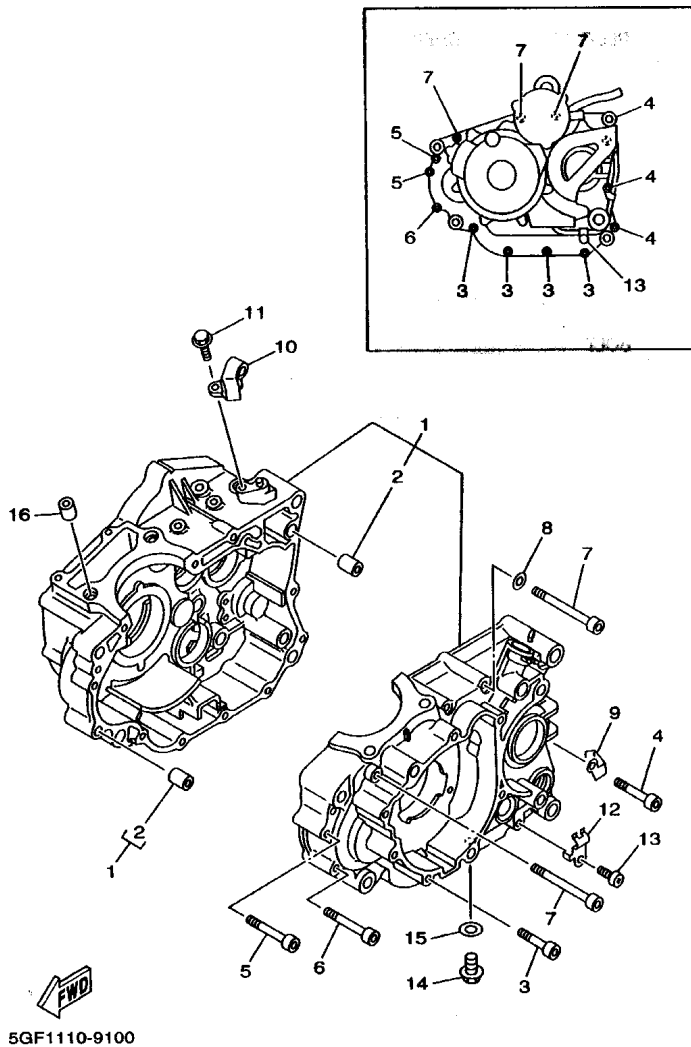
FIG. 9 EXHAUST



5GF1110-9090

REF. NO.	PART NO.	DESCRIPTION	5GF7	5GF8	5GF9	REMARKS
1	4GY-14611-01	PIPE, EXHAUST 1	1	1	1	
2	4GY-14628-00	PROTECTOR, EXHAUST PIPE	1	1	1	
3	4BD-14766-00	WASHER, PROTECTOR	4	4	4	
4	98980-06010	SCREW, BIND	2	2	2	
5	90206-06090	WASHER, WAVE	2	2	2	
6	5GF-14710-00	MUFFLER ASSY 1	1	1	1	
7	55V-14728-00	PROTECTOR, MUFFLER 2	1	1	1	
8	4BD-14766-00	WASHER, PROTECTOR	4	4	4	
9	98907-06010	SCREW, BIND	2	2	2	
10	90206-06090	WASHER, WAVE	2	2	2	
11	4EL-14714-00	GASKET, MUFFLER	1	1	1	
12	95027-08040	BOLT, FLANGE	1	1	1	
13	22W-24181-00	DAMPER, LOCATING 1	2	2	2	
14	95804-06016	BOLT, FLANGE	1	1	1	
15	4FM-14613-00	GASKET, EXHAUST PIPE	1	1	1	
16	90179-08410	NUT	2	2	2	
17	90109-082G0	BOLT	2	2	2	
18	90201-08326	WASHER, PLATE	2	2	2	
19	4GY-14799-00	CAP	1	1	1	

FIG. 10 CRANKCASE



REF. NO.	PART NO.	DESCRIPTION				REMARKS
			5GF7	5GF8	5GF9	
1	4RR-15100-02	CRANKCASE ASSY	1	1	1	
2	99530-10114	.PIN, DOWEL	2	2	2	
3	91317-06040	BOLT	4	4	4	
4	91317-06045	BOLT	3	3	3	
5	91317-06050	BOLT	2	2	2	
6	91317-06055	BOLT	1	1	1	
7	91317-06070	BOLT	3	3	3	
8	90430-06014	GASKET	1	1	1	
9	90462-08225	CLAMP	2	2	2	
10	4GY-15441-00	HOLDER, CLUTCH CABLE	1	1	1	
11	95817-06016	BOLT, FLANGE	1	1	1	
12	90462-10215	CLAMP	1	1	1	
13	98507-06010	SCREW, PAN HEAD	1	1	1	
14	90340-12059	PLUG, STRAIGHT SCREW	1	1	1	
15	90430-12213	GASKET	1	1	1	
16	99530-14016	PIN, DOWEL	2	2	2	

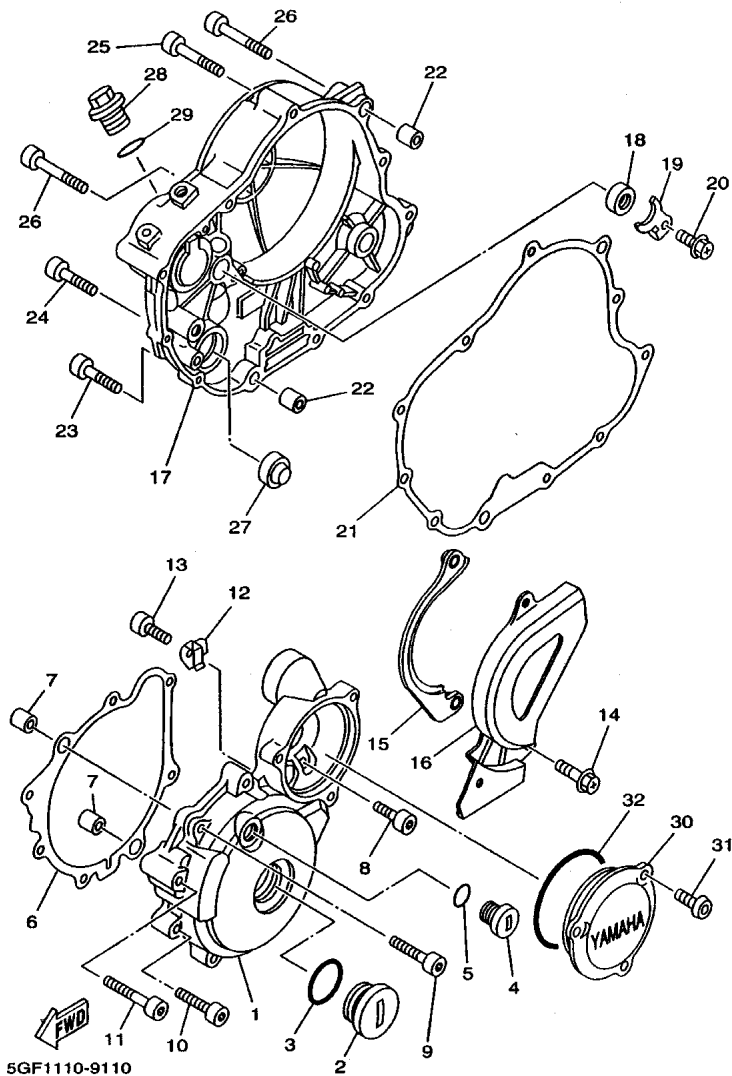


FIG. 11 CRANKCASE COVER 1

REF. NO.	PART NO.	DESCRIPTION	SGF7	SGF8	SGF9	REMARKS
1	4GY-15411-02	COVER, CRANKCASE 1	1	1	1	
2	90340-32123	PLUG, STRAIGHT SCREW	1	1	1	
3	93210-32172	O-RING	1	1	1	
4	90340-14128	PLUG, STRAIGHT SCREW	1	1	1	
5	93210-14369	O-RING	1	1	1	
6	4GY-15451-00	GASKET, CRANKCASE COVER 1	1	1	1	
7	99530-10114	PIN, DOWEL	2	2	2	
8	90110-06224	BOLT, HEXAGON SOCKET HEAD	1	1	1	
9	91317-06040	BOLT	2	2	2	
10	91317-06030	BOLT	4	4	4	
11	91317-06045	BOLT	1	1	1	
12	90465-12373	CLAMP	1	1	1	
13	91317-05012	BOLT	1	1	1	
14	90159-06202	SCREW, WITH WASHER	3	3	3	
15	4PX-17466-00	GUIDE, CHAIN	1	1	1	
16	4PX-15421-00	COVER, CRANKCASE 2	1	1	1	
17	5GF-15431-00	COVER, CRANKCASE 3	1	1	1	
18	93101-14164	OIL SEAL	1	1	1	
19	4GY-15118-00	HOLDER	1	1	1	
20	90105-06553	BOLT, WASHER BASED	1	1	1	
21	4GY-15461-00	GASKET, CRANKCASE COVER 2	1	1	1	
22	99530-10114	PIN, DOWEL	2	2	2	
23	91317-06025	BOLT	6	6	6	
24	91317-06035	BOLT	1	1	1	
25	91317-06040	BOLT	1	1	1	
26	91317-06050	BOLT	2	2	2	
27	2H7-15361-00	GAUGE, LEVEL	1	1	1	

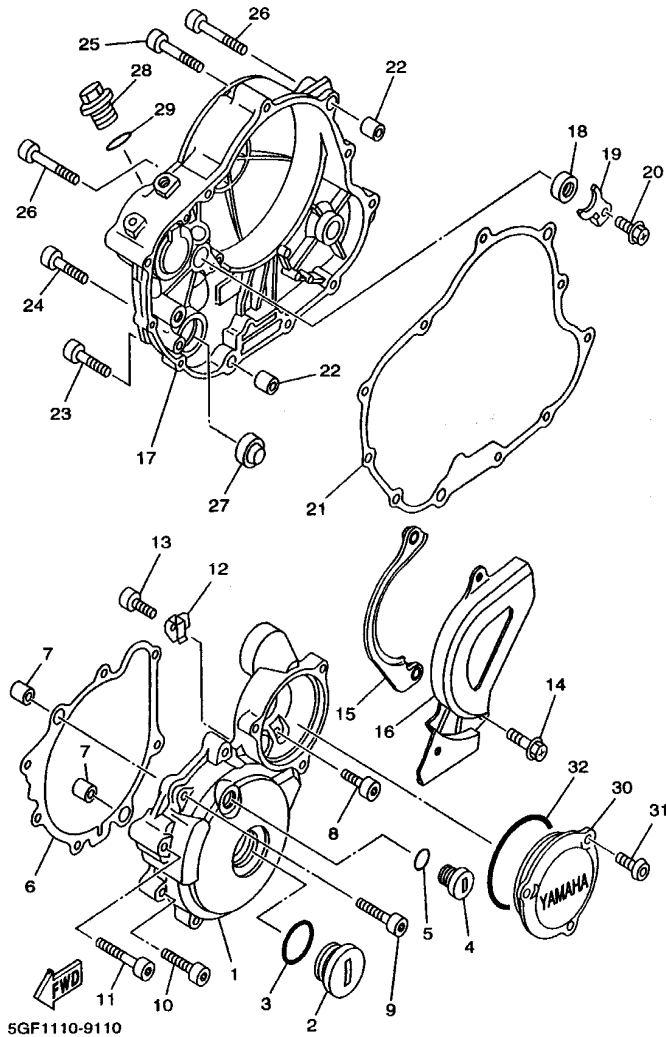
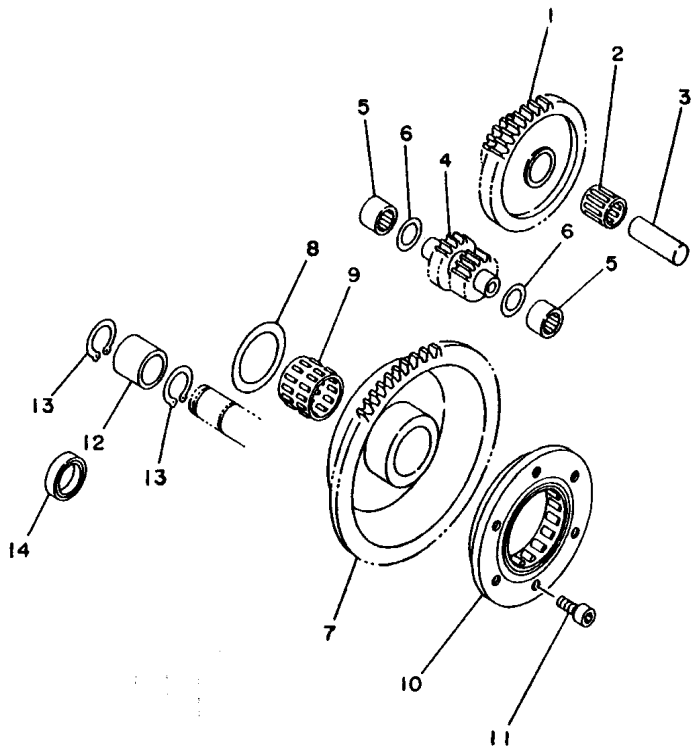


FIG. 11 CRANKCASE COVER 1

REF. NO.	PART NO.	DESCRIPTION	5GF7	5GF8	5GF9	REMARKS
28	90340-20143	PLUG, STRAIGHT SCREW	1	1	1	
29	93210-19123	O-RING	1	1	1	
30	4GY-15415-01	COVER, GENERATOR	1	1	1	
31	92017-06016	BOLT, BUTTON HEAD	3	3	3	
32	93210-74424	O-RING	1	1	1	



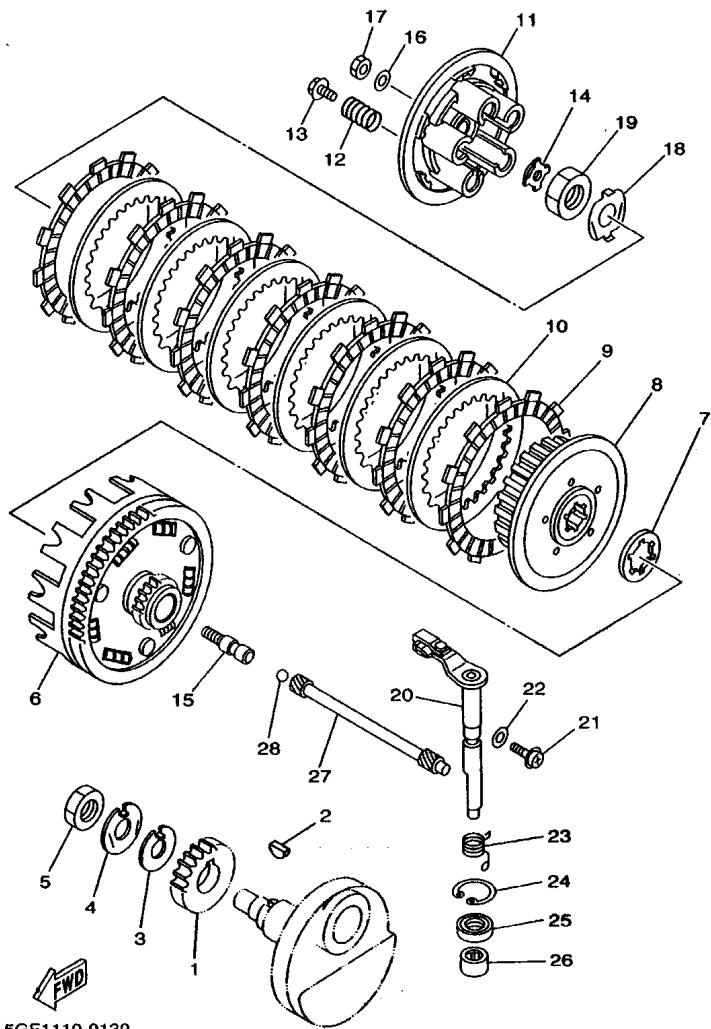
REF. NO.	PART NO.	DESCRIPTION	SGF7	SGF8	SGF9	REMARKS
1	4GY-15512-01	GEAR, IDLER 1	1	1	1	
2	93310-212R6	BEARING	1	1	1	
3	4GY-15521-00	SHAFT 1	1	1	1	
4	4GY-15517-01	GEAR, IDLER 2	1	1	1	
5	93315-11206	BEARING	2	2	2	
6	296-13147-00	SHIM	2	2	2	
7	4GY-15515-00	GEAR 3	1	1	1	
8	90201-25291	WASHER, PLATE	1	1	1	
9	93310-225N0	BEARING	1	1	1	
10	4GY-15590-00	STARTER ONE-WAY ASSY	1	1	1	
11	01110-06091	BOLT, HEXAGON SOCKET HEAD	6	6	6	
12	90560-17265	SPACER	1	1	1	
13	99009-17400	CIRCLIP	2	2	2	
14	55X-15167-00	PLUG, BLIND 1	1	1	1	



4GY1010-3120

C4

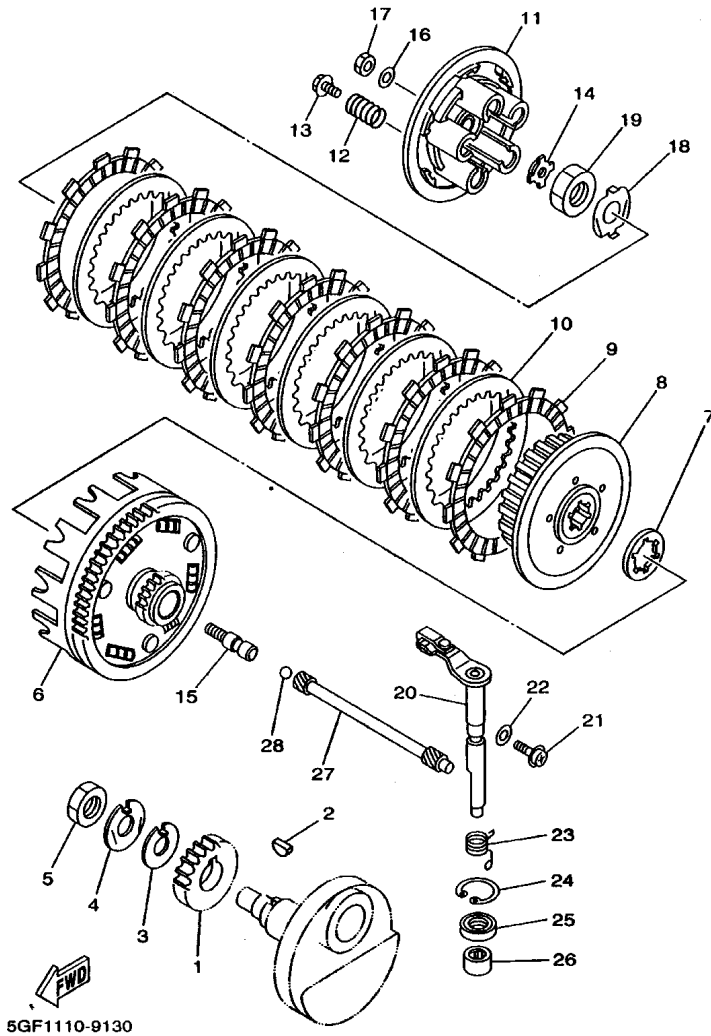
FIG. 13 CLUTCH



5GF1110-9130

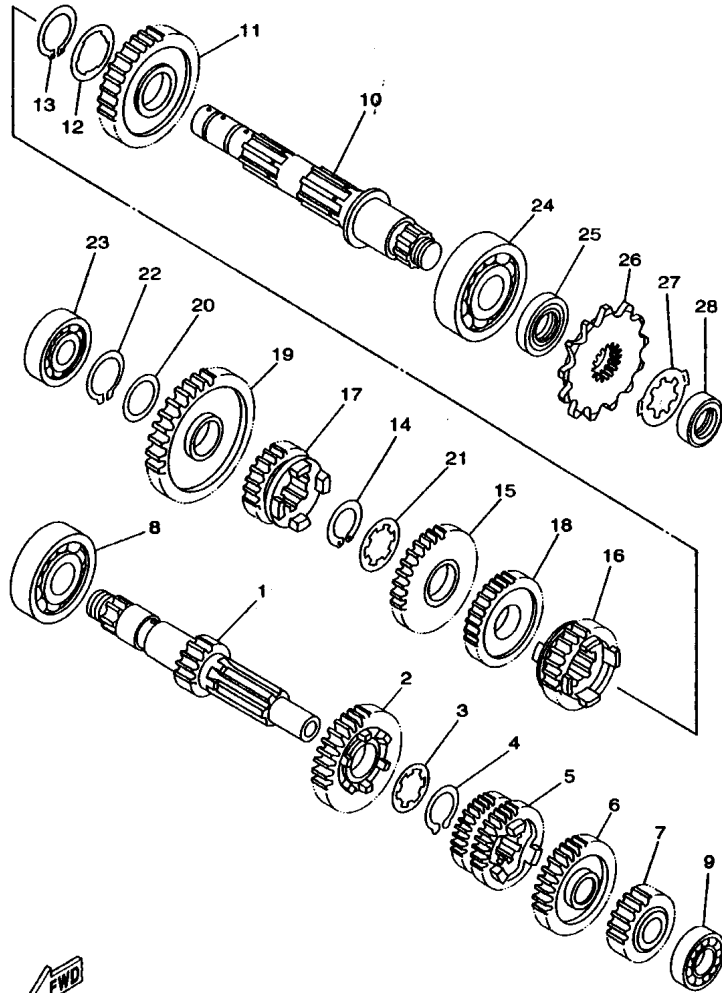
REF. NO.	PART NO.	DESCRIPTION	5GF7	5GF8	5GF9	REMARKS
1	4GY-16111-00	GEAR, PRIMARY DRIVE	1	1	1	
2	90280-07055	KEY, WOODRUFF	1	1	1	
3	90214-16063	WASHER, CLAW	1	1	1	
4	90215-16286	WASHER, LOCK	1	1	1	
5	90170-16425	NUT	1	1	1	
6	5GF-16150-00	PRIMARY DRIVEN GEAR COMP.	1	1	1	
7	30X-16154-00	PLATE, THRUST 1	1	1	1	
8	5GF-16371-00	BOSS, CLUTCH	1	1	1	
9	3XJ-16321-00	PLATE, FRICTION	7	7	7	
10	3XJ-16324-00	PLATE, CLUTCH 1	6	6	6	
11	4GY-16351-00	PLATE, PRESSURE 1	1	1	1	
12	90501-23391	SPRING, COMPRESSION	5	5	5	
13	90159-06010	SCREW, WITH WASHER	5	5	5	
14	1W1-16358-01	PLATE, PUSH	1	1	1	
15	5GF-16356-00	ROD, PUSH 1	1	1	1	
16	92907-06200	WASHER	1	1	1	
17	95307-06600	NUT	1	1	1	
18	90215-16289	WASHER, LOCK	1	1	1	
19	90170-16326	NUT	1	1	1	
20	4GY-16380-01	PUSH LEVER ASSY	1	1	1	
21	90149-08067	SCREW	1	1	1	
22	90430-08119	GASKET	1	1	1	
23	90508-206A6	SPRING, TORSION	1	1	1	
24	99009-20500	CIRCLIP	1	1	1	
25	93102-12224	OIL SEAL	1	1	1	
26	93315-11206	BEARING	1	1	1	
27	4GY-16357-00	ROD, PUSH 2	1	1	1	

FIG. 13 CLUTCH



REF. NO.	PART NO.	DESCRIPTION	SGF7	SGF8	SGF9	REMARKS
28	93511-32017	BALL	1	1	1	

FIG. 14 TRANSMISSION

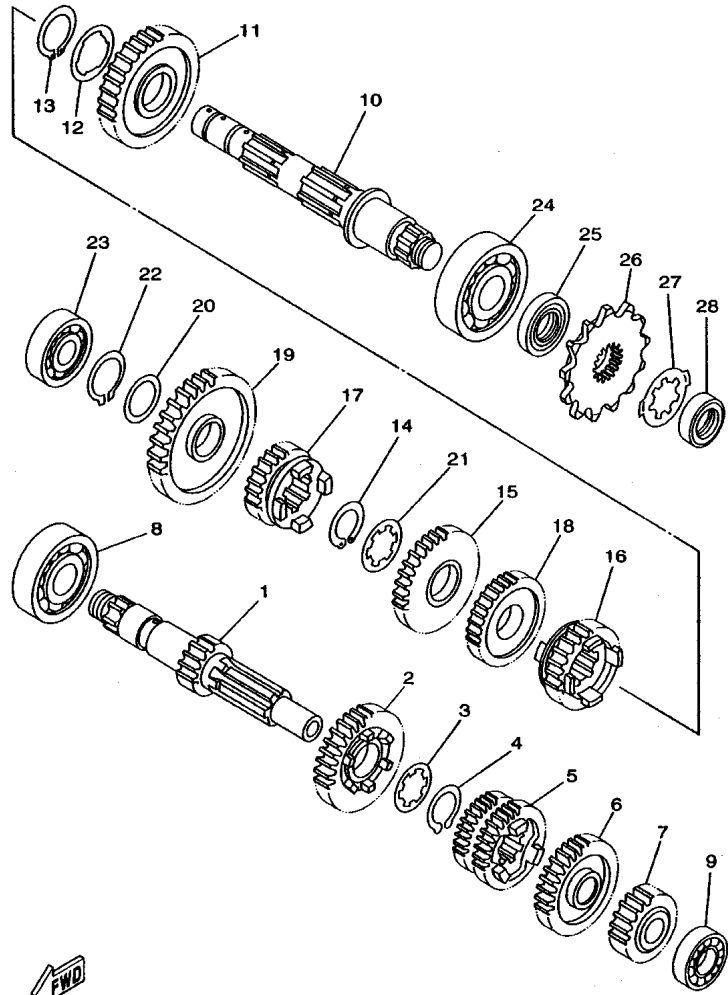


5GF1110-9140

REF. NO.	PART NO.	DESCRIPTION	5GF7	5GF8	5GF9	REMARKS
1	4GY-17411-00	AXLE, MAIN	1	1	1	
2	4GY-17161-01	GEAR, 6TH PINION (29T)	1	1	1	
3	90209-18208	WASHER	1	1	1	
4	93410-22039	CIRCLIP	1	1	1	
5	4GY-17131-00	GEAR, 3RD PINION (22T/25T)	1	1	1	
6	55V-17151-02	GEAR, 5TH PINION (27T)	1	1	1	
7	51Y-17121-00	GEAR, 2ND PINION (16T)	1	1	1	
8	93306-20427	BEARING (62/22-9-C3)	1	1	1	
9	93306-00320	BEARING	1	1	1	
10	4PX-17402-00	DRIVE AXLE ASSY	1	1	1	
11	4GY-17221-00	GEAR, 2ND WHEEL (29T)	1	1	1	
12	90209-23241	WASHER	1	1	1	
13	93410-26067	CIRCLIP	1	1	1	
14	93410-22039	CIRCLIP	1	1	1	
15	4GY-17231-00	GEAR, 3RD WHEEL (30T)	1	1	1	
16	4GY-17251-00	GEAR, 5TH WHEEL (24T)	1	1	1	
17	4GY-17261-01	GEAR, 6TH WHEEL (22T)	1	1	1	
18	4GY-17241-00	GEAR, 4TH WHEEL (27T)	1	1	1	
19	4GY-17211-00	GEAR, 1ST WHEEL (37T)	1	1	1	
20	90201-177G4	WASHER, PLATE	1	1	1	
21	90209-18208	WASHER	1	1	1	
22	93410-17037	CIRCLIP	1	1	1	
23	93306-20332	BEARING	1	1	1	
24	93306-20532	BEARING	1	1	1	
25	93102-25226	OIL SEAL	1	1	1	
26	9383R-13211	SPROCKET, DRIVE (13T)	1	1	1	
27	90215-23265	WASHER, LOCK	1	1	1	

C7

FIG. 14 TRANSMISSION

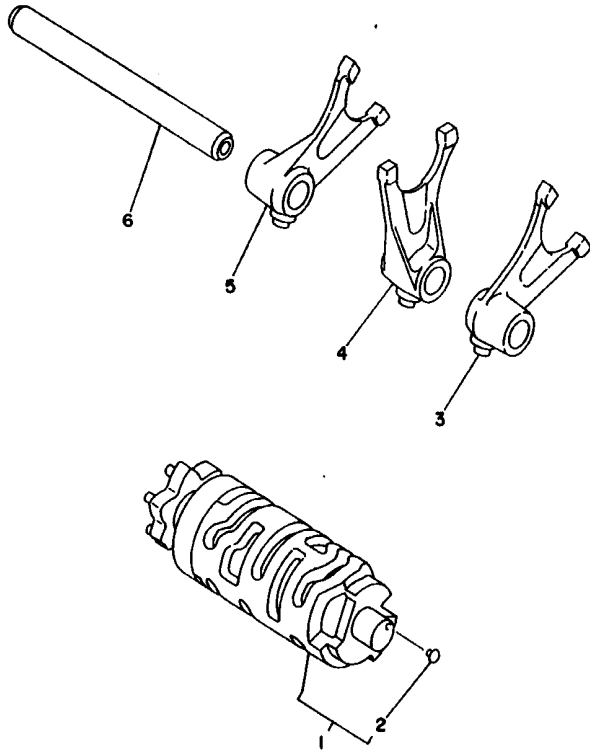


5GF1110-9140

REF. NO.	PART NO.	DESCRIPTION	5GF7	5GF8	5GF9	REMARKS
28	90179-18552	NUT	1	1	1	

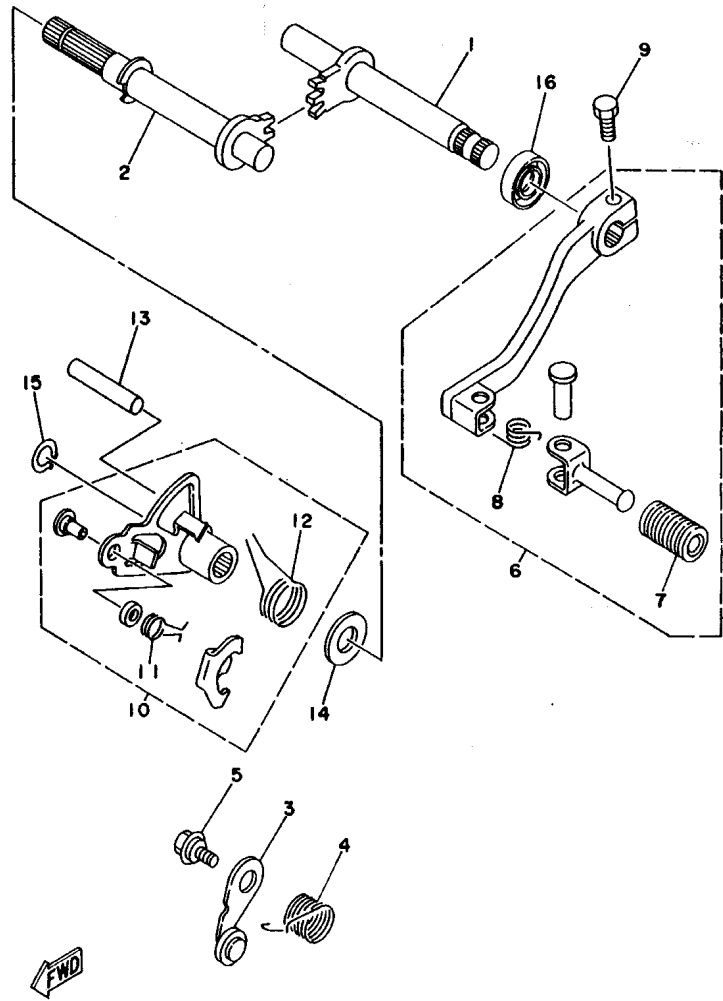
C8

FIG. 15 SHIFT CAM. FORK



REF. NO.	PART NO.	DESCRIPTION	5GF7	5GF8	5GF9	REMARKS
1	4GY-18540-00	SHIFT CAM ASSY	1	1	1	
2	136-18542-00	.POINT, NEUTRAL	1	1	1	
3	4GY-18511-00	FORK, SHIFT 1	1	1	1	
4	4GY-18512-00	FORK, SHIFT 2	1	1	1	
5	4GY-18513-00	FORK, SHIFT 3	1	1	1	
6	4GY-18531-00	BAR, SHIFT FORK GUIDE 1	1	1	1	

FWD
4GY1010-3150

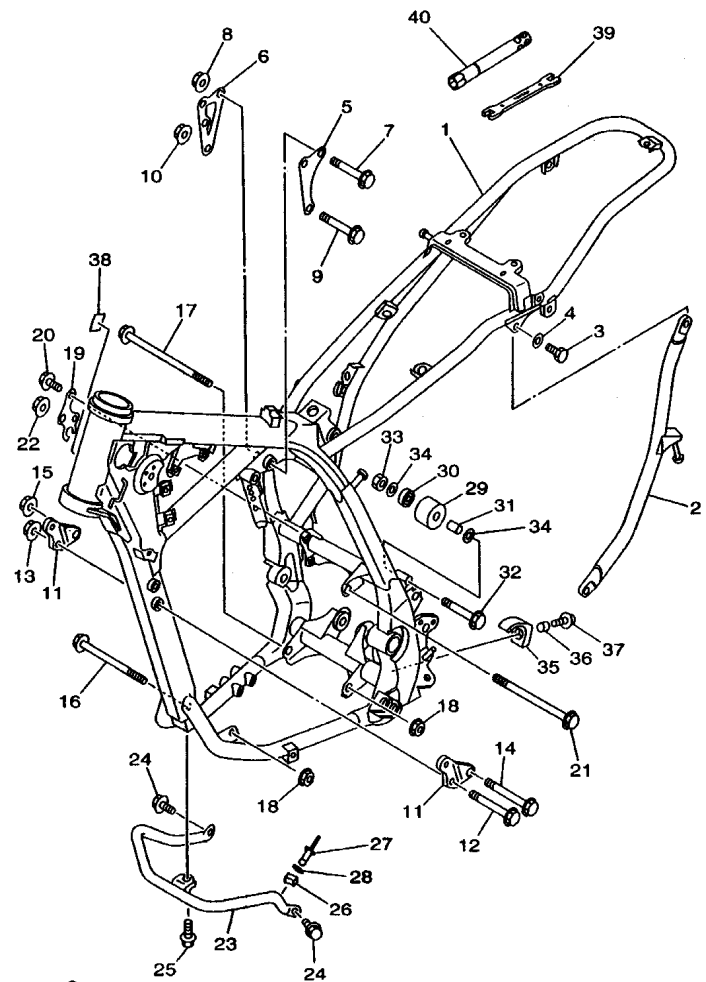


4GY1010-3160

FIG. 16 SHIFT SHAFT

REF. NO.	PART NO.	DESCRIPTION	SGF7	SGFB	SGF9	REMARKS
1	4GY-18101-00	SHIFT SHAFT ASSY	1	1	1	
2	4GY-18102-00	SHIFT SHAFT ASSY 2	1	1	1	
3	4GY-18140-00	STOPPER LEVER ASSY	1	1	1	
4	90508-26561	SPRING, TORSION	1	1	1	
5	90109-063F7	BOLT	1	1	1	
6	4GY-18110-00	SHIFT PEDAL ASSY	1	1	1	
7	1W6-18113-00	.COVER, SHIFT PEDAL	1	1	1	
8	90508-14525	.SPRING, TORSION	1	1	1	
9	97027-06020	BOLT	1	1	1	
10	4GY-18120-00	SHIFT LEVER ASSY	1	1	1	
11	90508-09420	.SPRING, TORSION	1	1	1	
12	90508-32682	.SPRING, TORSION	1	1	1	
13	93608-43228	PIN, DOWEL	1	1	1	
14	90201-12474	WASHER, PLATE	1	1	1	
15	99001-09600	CIRCLIP	1	1	1	
16	93102-14209	OIL SEAL	1	1	1	

C10

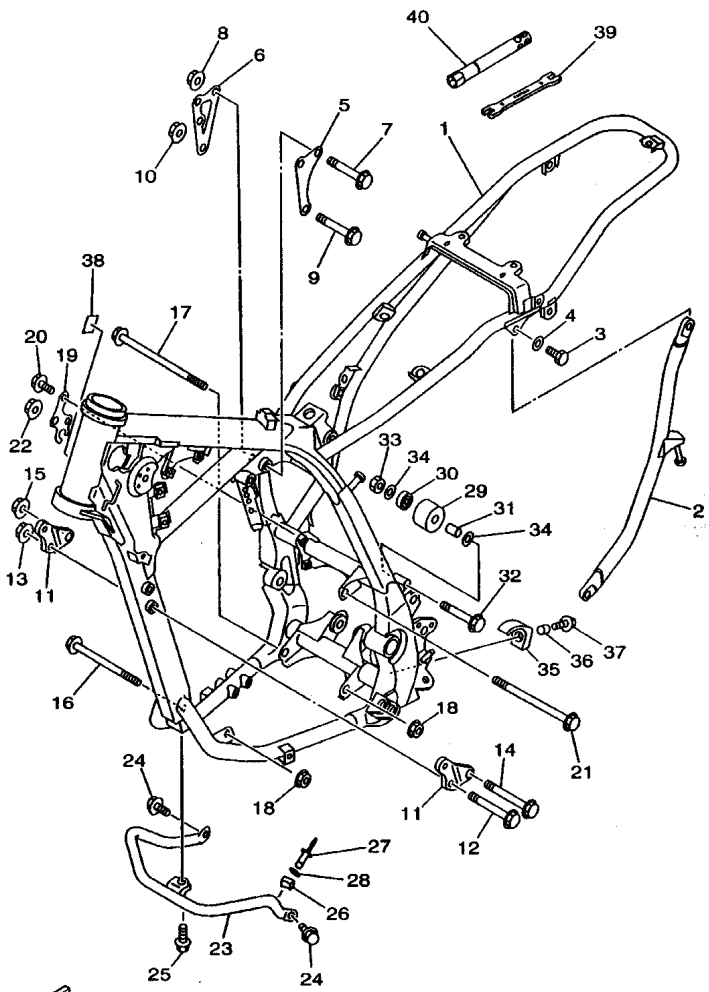


5GF4100-0170

FIG. 17 FRAME

REF. NO.	PART NO.	DESCRIPTION	5GF7	5GF8	5GF9	REMARKS
1	5GF-21110-00-P0	FRAME COMP.	1	1	1	DPBMC
2	5GF-21105-00-P0	BACK STAY SUB COMP. 1	1	1	1	DPBMC
3	90106-08053	BOLT	2	2	2	
4	90201-08086	WASHER, PLATE	2	2	2	
5	4GY-21315-00	STAY, ENGINE 2	1	1	1	
6	4GY-21318-01	STAY, ENGINE 5	1	1	1	
7	95817-08055	BOLT, FLANGE	2	2	2	
8	95607-08200	NUT, SELF-LOCKING	2	2	2	
9	90105-10232	BOLT, WASHER BASED	1	1	1	
10	95607-10200	NUT, SELF-LOCKING	1	1	1	
11	4GY-21319-00	STAY, ENGINE 6	2	2	2	
12	95817-08070	BOLT, FLANGE	2	2	2	
13	95607-08200	NUT, SELF-LOCKING	2	2	2	
14	90105-10609	BOLT, WASHER BASED	1	1	1	
15	95607-10200	NUT, SELF-LOCKING	1	1	1	
16	90105-10050	BOLT, WASHER BASED	1	1	1	
17	90105-10444	BOLT, WASHER BASED	1	1	1	
18	95607-10200	NUT, SELF-LOCKING	2	2	2	
19	4GY-21317-00	STAY, ENGINE 3	1	1	1	
20	95817-08016	BOLT, FLANGE	2	2	2	
21	90105-10183	BOLT, WASHER BASED	1	1	1	
22	95607-10200	NUT, SELF-LOCKING	1	1	1	
23	4GY-21471-00	PROTECTOR, ENGINE	1	1	1	
24	95817-06012	BOLT, FLANGE	2	2	2	
25	95817-06012	BOLT, FLANGE	1	1	1	
26	4GY-21486-00	DAMPÉR 2	1	1	1	
27	90267-32071	RIVET, BLIND	1	1	1	

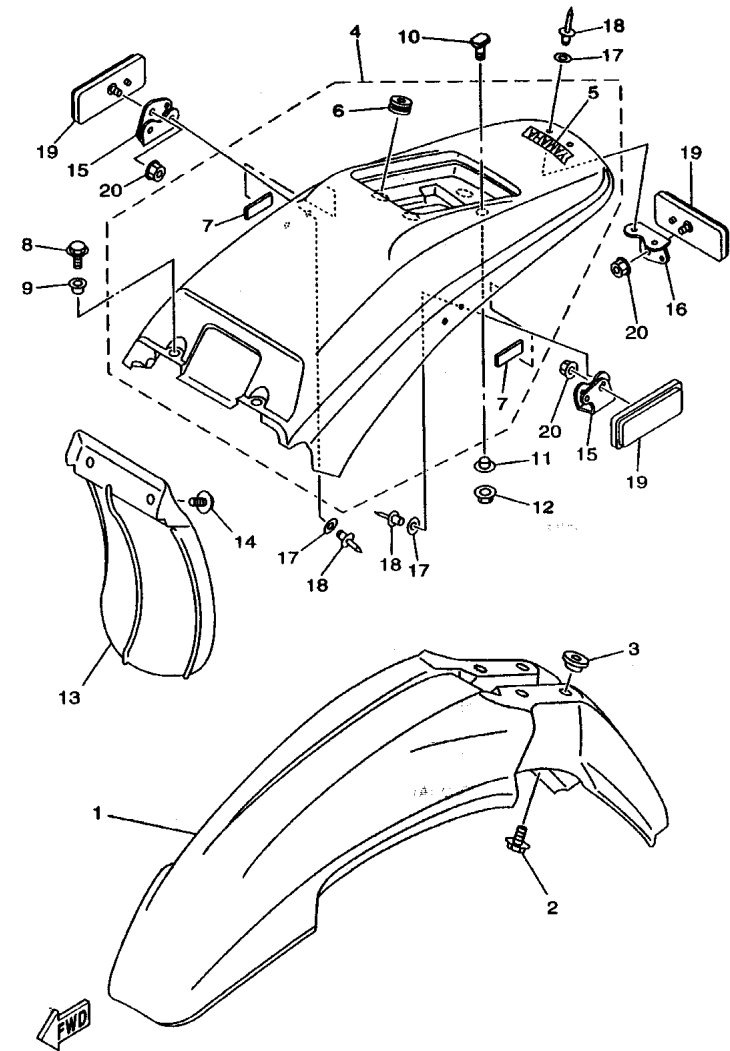
FIG. 17 FRAME



5GF4100-0170

REF. NO.	PART NO.	DESCRIPTION	5GF7	5GF8	5GF9	REMARKS
28	90201-03313	WASHER, PLATE	1	1	1	
29	4EW-22178-00	TENSIONER	1	1	1	
30	93300-60804	BEARING	1	1	1	
31	90387-086N4	COLLAR	1	1	1	
32	95027-08060	BOLT, FLANGE	1	1	1	
33	90170-08158	NUT	1	1	1	
34	90201-086P8	WASHER, PLATE	2	2	2	
35	4ES-22178-00	TENSIONER	1	1	1	
36	90387-060A3	COLLAR	1	1	1	
37	90119-06118	BOLT, WITH WASHER	1	1	1	
38	1JK-21268-00	SEAL	1	1	1	
39	23X-28166-00	WRENCH, HEXAGON	1	1	1	
40	1WG-2814F-00	BOX, SPARK PLUG	1	1	1	

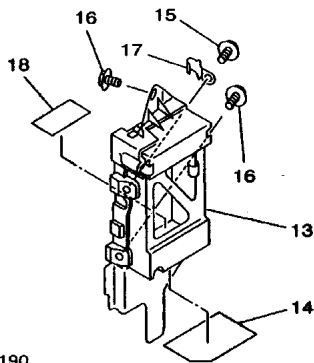
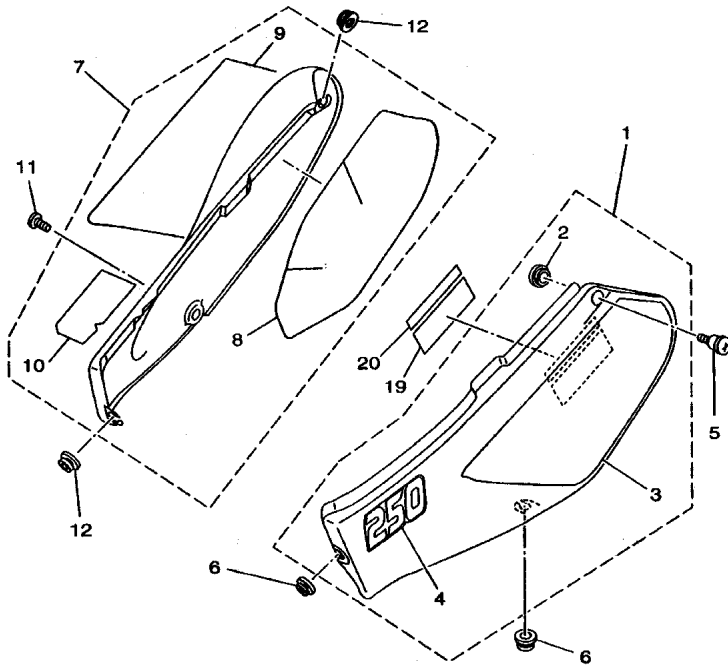
FIG. 18 FENDER



5GF3171-9180

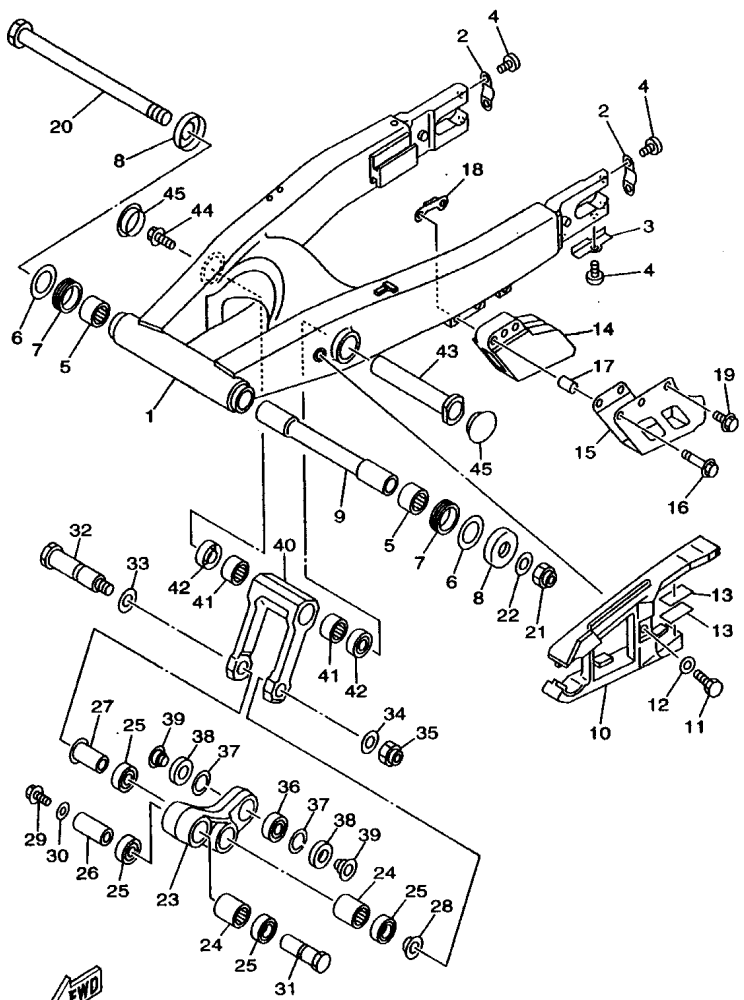
REF. NO.	PART NO.	DESCRIPTION	5GF7	5GF8	5GF9	REMARKS
1	4GY-21511-40	FENDER, FRONT	1	1	1	
2	90119-06063	BOLT, WITH WASHER	4	4	4	
3	90387-06681	COLLAR	4	4	4	
4	4GY-Y2161-60	REAR FENDER COMP.	1	1		
	5GF-Y2161-00	REAR FENDER COMP.			1	
5	99241-00080	.EMBLEM, YAMAHA	1	1	1	
6	90480-14102	.GROMMET	3	3	3	
7	1KT-21746-00	.DAMPER	2	2	2	
8	97007-06016	BOLT	2	2	2	
9	90387-064J1	COLLAR	2	2	2	
10	90109-064A5	BOLT	1	1	1	
11	90387-06648	COLLAR	1	1	1	
12	95607-06200	NUT, SELF U-FLANGE	1	1	1	
13	4GY-21642-00	GUARD, FLAP	1	1	1	
14	90119-06194	BOLT, WITH WASHER	2	2	2	
15	5GF-85132-00	BRACKET, REFLECTOR 1			2	
16	3DT-85142-00	BRACKET, REFLECTOR 2			1	
17	90201-04018	WASHER, PLATE			6	
18	90267-40105	RIVET, BLIND			6	
19	3Y6-85130-02	REAR REFLECTOR ASSY			3	
20	95707-05500	NUT, FLANGE			3	

FIG. 19 SIDE COVER



5GF1110-9190

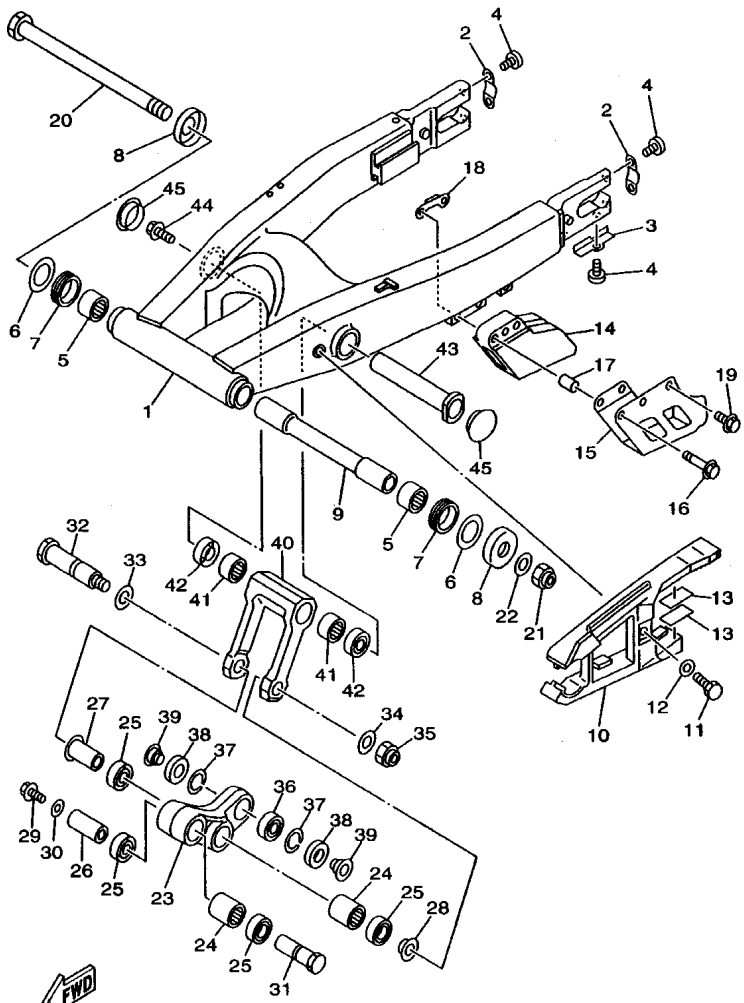
REF. NO.	PART NO.	DESCRIPTION	5GF7	5GF8	5GF9	REMARKS
1	4GY-Y2171-C0	COVER, SIDE 1	1	1	1	
2	90480-13018	.GROMMET	1	1	1	
3	4RR-2173E-30	.GRAPHIC 1	1	1	1	
4	4PX-21781-00	.EMBLEM 1	1	1	1	
5	90150-06036	SCREW, ROUND HEAD	1	1	1	
6	90480-12320	GROMMET	2	2	2	
7	4GY-Y2172-C0	COVER, SIDE 2	1	1	1	
8	4GY-2174A-00	.INSULATOR, SIDE COVER	1	1	1	
9	4RR-2173F-30	.GRAPHIC 2	1	1	1	
10	4PX-21781-00	.EMBLEM 1	1	1	1	
11	90150-06021	SCREW, ROUND HEAD	1	1	1	
12	90480-12320	GROMMET	2	2	2	
13	4GY-2177G-00	BOX, BATTERY	1	1	1	
14	4GY-2174T-00	INSULATOR, SIDE COVER 2	1	1	1	
15	90101-06664	BOLT	1	1	1	
16	90119-06094	BOLT, WITH WASHER	2	2	2	
17	4GY-21365-00	HOOK, BATTERY BAND	1	1	1	
18	4GY-82123-00	SEAT, BATTERY	1	1	1	
19	5GF-2179T-10	PLATE, EPA 3(CALIFORNIA)		1		
20	5GF-2179X-00	PLATE, EPA	1	1		



5GF1110-9200

FIG. 20 REAR ARM

REF. NO.	PART NO.	DESCRIPTION	5GF7	5GF8	5GF9	REMARKS
1	5GF-22110-00	REAR ARM COMP.	1	1	1	
2	4GY-22177-00	END 3	2	2	2	
3	4GY-22165-00	BRACKET	1	1	1	
4	98507-05010	SCREW, PAN HEAD	5	5	5	
5	93315-22251	BEARING	2	2	2	
6	90201-254H8	WASHER, PLATE	2	2	2	
7	93108-35004	OIL SEAL (35-41-8)	2	2	2	
8	30X-2219X-00	COVER	2	2	2	
9	29L-22184-00	BUSH	1	1	1	
10	4GY-22151-00	SEAL, GUARD	1	1	1	
11	97007-06020	BOLT	1	1	1	
12	90201-067A0	WASHER, PLATE	1	1	1	
13	22F-2139X-00	DAMPER	2	2	2	
14	4RR-22199-00	SUPPORT, CHAIN	1	1	1	
15	4RR-22128-01	COVER, THRUST 1	1	1	1	
16	95027-06050	BOLT, FLANGE	2	2	2	
17	90387-06513	COLLAR	2	2	2	
18	4RR-22143-00	NUT	1	1	1	
19	95027-06010	BOLT, FLANGE	1	1	1	
20	5X6-22141-01	SHAFT, PIVOT	1	1	1	
21	90185-16127	NUT, SELF-LOCKING	1	1	1	
22	90201-164H4	WASHER, PLATE	1	1	1	
23	4GY-2217A-00	ARM, RELAY	1	1	1	
24	93315-32053	BEARING	2	2	2	
25	93109-20076	OIL SEAL	4	4	4	
26	90387-166X1	COLLAR	1	1	1	
27	90387-1606R	COLLAR	1	1	1	

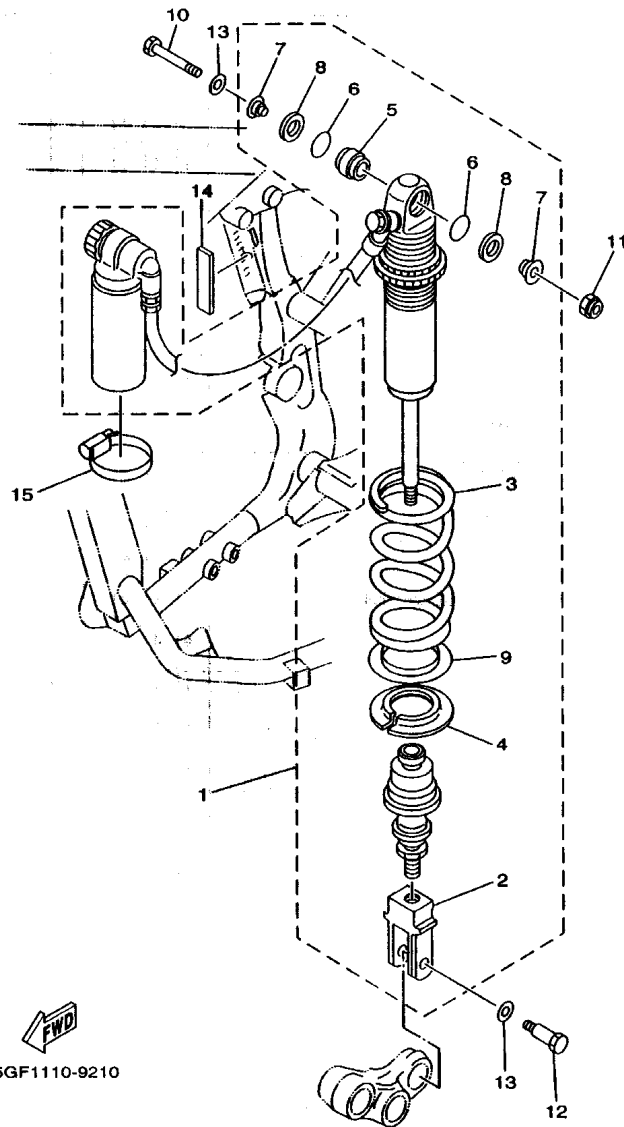


5GF1110-9200

FIG. 20 REAR ARM

REF. NO.	PART NO.	DESCRIPTION	5GF7	5GF8	5GF9	REMARKS
28	90387-164N2	COLLAR	1	1	1	
29	95817-10016	BOLT, FLANGE	1	1	1	
30	90201-106F2	WASHER, PLATE	1	1	1	
31	90179-10665	NUT	1	1	1	
32	90401-14163	BOLT, UNION	1	1	1	
33	90201-164H4	WASHER, PLATE	1	1	1	
34	90201-14740	WASHER, PLATE	1	1	1	
35	90185-14112	NUT, SELF-LOCKING	1	1	1	
36	93399-99935	BEARING	1	1	1	
37	93440-30113	CIRCLIP	2	2	2	
38	3XJ-22475-00	SEAL, DUST	2	2	2	
39	90387-103X9	COLLAR	2	2	2	
40	4GY-2217F-00	ROD, CONNECTING 1	1	1	1	
41	93315-32052	BEARING	2	2	2	
42	93109-20076	OIL SEAL	2	2	2	
43	90179-12001	NUT	1	1	1	
44	95817-12016	BOLT, FLANGE	1	1	1	
45	1HX-2135F-10	COVER	2	2	2	

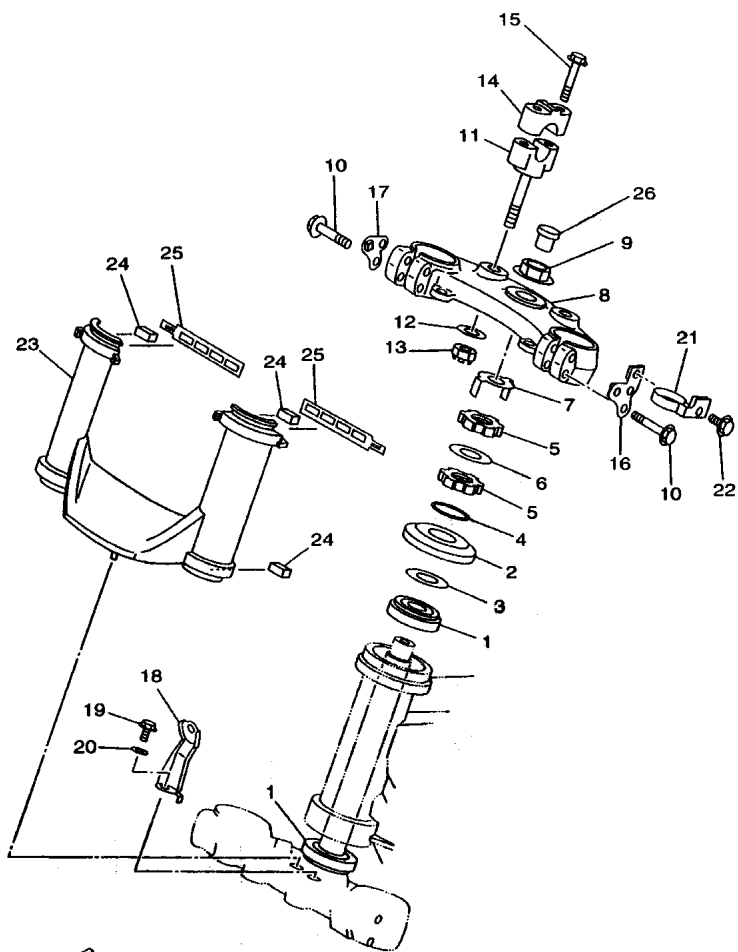
FIG. 21 REAR SUSPENSION



REF. NO.	PART NO.	DESCRIPTION	5GF7	5GF8	5GF9	REMARKS
1	5GF-22210-00-P0	SHOCK ABSORBER ASSY, REAR	1	1		LRYS1
	5GF-22210-10-P0	SHOCK ABSORBER ASSY, REAR			1	LRYS1
2	4GY-22219-00	.BRACKET, UPPER	1	1	1	
3	4GY-22212-01-P0	.SPRING	1	1	1	LRYS1
4	3LD-22214-01	.GUIDE, SPRING 1	1	1	1	
5	93399-99916	.BEARING	1	1	1	
6	93440-30113	.CIRCLIP	2	2	2	
7	90387-100Y3	.COLLAR	2	2	2	
8	38V-22211-00	.COVER	2	2	2	
9	3XP-22224-00	.GUIDE, SPRING 2	1	1	1	
10	3SP-22241-00	BOLT 1	1	1	1	
11	95807-10200	NUT, SELF-LOCKING	1	1	1	
12	90105-10614	BOLT, WASHER BASED	1	1	1	
13	90201-112U6	WASHER, PLATE	2	2	2	
14	4GY-22261-00	DAMPER, SUB TANK	1	1	1	
15	90460-55233	CLAMP, HOSE	2	2	2	

D3

FIG. 22 STEERING




5GF1110-9220

REF. NO.	PART NO.	DESCRIPTION	5GF7	5GF8	5GF9	REMARKS
1	93332-00078	BEARING	2	2	2	
2	4GY-23416-00	COVER, BALL RACE 2	1	1	1	
3	90201-282R3	WASHER, PLATE	1	1	1	
4	90201-284R9	WASHER, PLATE	1	1	1	
5	90179-28543	NUT	2	2	2	
6	90202-28216	WASHER, PLATE	1	1	1	
7	4GY-23418-00	WASHER, SPECIAL	1	1	1	
8	4RR-23435-00	CROWN, HANDLE	1	1	1	
9	90179-24542	NUT	1	1	1	
10	95027-08040	BOLT, FLANGE	4	4	4	
11	3SR-23442-01	HOLDER, HANDLE LOWER	2	2	2	
12	92990-12200	WASHER, PLAIN	2	2	2	
13	95617-12100	NUT, U	2	2	2	
14	1E6-23441-10-35	HOLDER, HANDLE UPPER	2	2	2	SL
15	95024-08035	BOLT, FLANGE	4	4	4	
16	4RR-2831V-00	STAY, HEAD LIGHT 1	1	1	1	
17	4RR-2832V-00	STAY, HEAD LIGHT 2	1	1	1	
18	4GY-23174-00	STAY, HEADLIGHT	1	1	1	
19	97007-06012	BOLT	1	1	1	
20	92907-06600	WASHER, PLATE	1	1	1	
21	4GY-23389-00	GUIDE, CABLE	1	1	1	
22	90105-05361	BOLT, WASHER BASED	1	1	1	
23	4GY-23472-20	PROTECTOR	1	1	1	
24	1FK-84527-00	DAMPER	4	4	4	
25	4GY-23192-00	BAND	2	2	2	
26	3K7-84154-10	GROMMET	1	1	1	

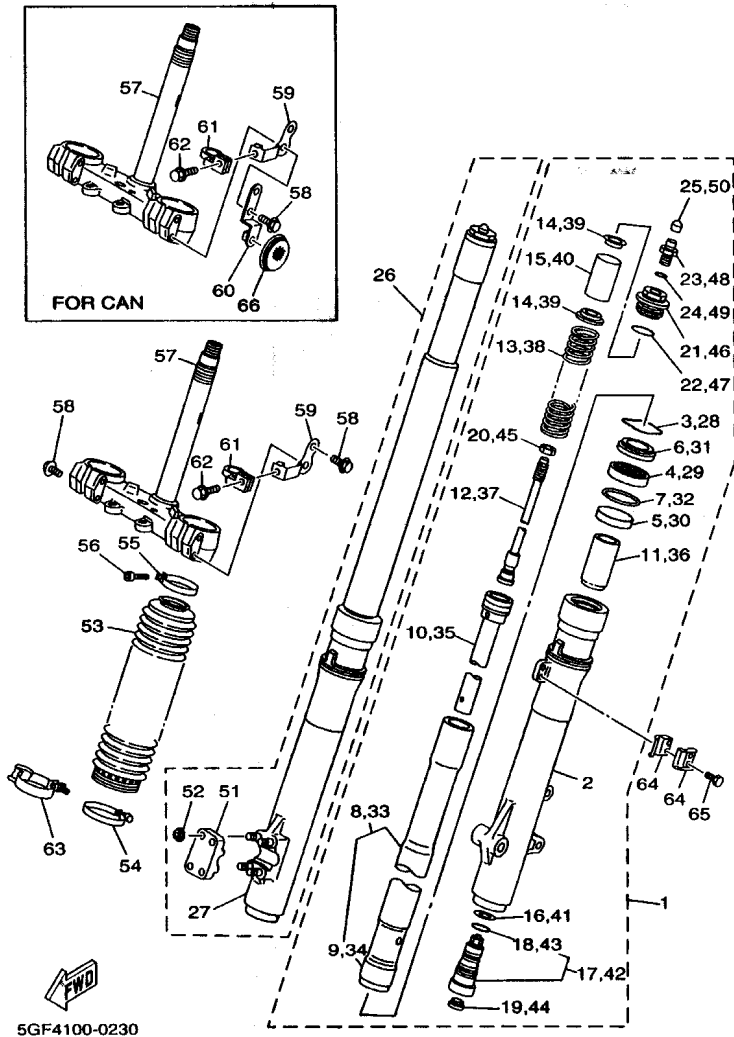
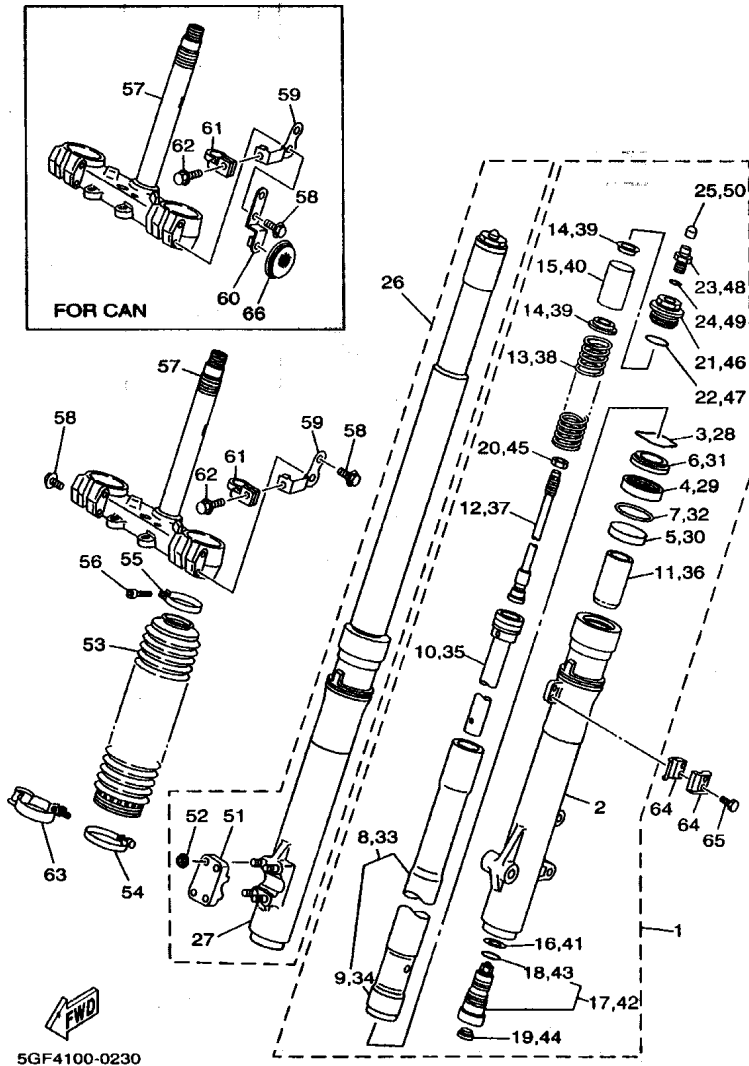


FIG. 23 FRONT FORK

REF. NO.	PART NO.	DESCRIPTION	5GF7	5GF8	5GF9	REMARKS
1	4PX-23102-10	FRONT FORK ASSY (L.H)	1	1	1	
2	4GY-23126-00	.TUBE, OUTER (LEFT)	1	1	1	
3	4V4-23153-L0	.RING, SNAP	1	1	1	
4	2VM-23145-L0	.OIL SEAL	1	1	1	
5	3XJ-23125-L0	.METAL, SLIDE 1	1	1	1	
6	2VM-23144-L0	.SEAL, DUST	1	1	1	
7	4V4-23146-L0	.WASHER, OIL SEAL	1	1	1	
8	4GY-23110-00	.INNER TUBE COMP.1	1	1	1	
9	3XJ-23171-L0	.PISTON, FRONT FORK	1	1	1	
10	4GY-23170-00	.CYLINDER COMP., FRONT FORK	1	1	1	
11	2VM-23173-L0	.SPINDLE, TAPER	1	1	1	
12	4PX-2314A-10	.PISTON ROD ASSY	1	1	1	
13	4PX-23141-10	.SPRING, FRONT FORK	1	1	1	
14	4V4-23142-L0	.SEAT, SPRING UPPER	2	2	2	
15	4GY-23118-01	.SPACER	1	1	1	
16	2HH-23158-L0	.GASKET	1	1	1	
17	4PX-2316A-10	.VALVE COMP.	1	1	1	
18	3XP-23188-00	.O-RING	1	1	1	
19	55Y-2312G-M0	.PLUG	1	1	1	
20	3XJ-23357-L0	.NUT	1	1	1	
21	2VM-23111-L0	.BOLT, CAP	1	1	1	
22	4V4-23188-L0	.O-RING	1	1	1	
23	24M-23190-00	.AIR VALVE COMP.	1	1	1	
24	3J2-23147-00	.O-RING	1	1	1	
25	2VN-23185-L0	.COVER, VALVE	1	1	1	
26	4PX-23103-10	FRONT FORK ASSY (R.H)	1	1	1	
27	4PX-23136-10	.TUBE, OUTER (RIGHT)	1	1	1	

FIG. 23 FRONT FORK

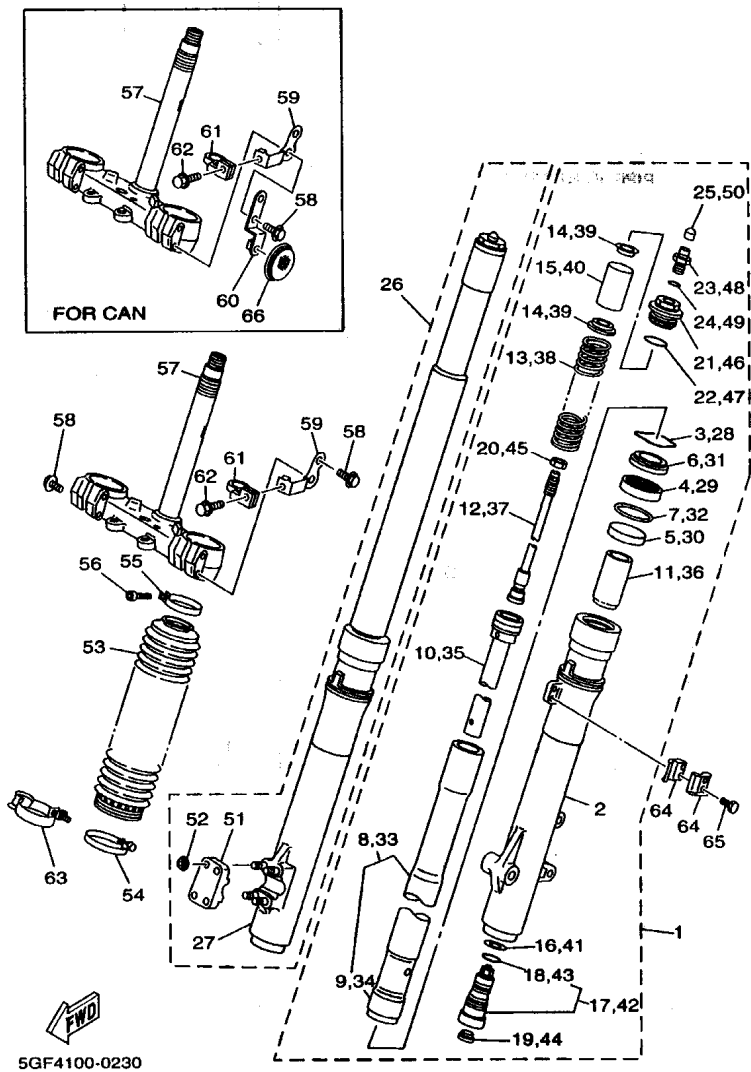


5GF4100-0230

REF. NO.	PART NO.	DESCRIPTION	5GF7	5GF8	5GF9	REMARKS
28	4V4-23153-L0	.RING, SNAP	1	1	1	
29	2VM-23145-L0	.OIL SEAL	1	1	1	
30	3XJ-23125-L0	.METAL, SLIDE 1	1	1	1	
31	2VM-23144-L0	.SEAL, DUST	1	1	1	
32	4V4-23146-L0	.WASHER, OIL SEAL	1	1	1	
33	4GY-23110-00	.INNER TUBE COMP.1	1	1	1	
34	3XJ-23171-L0	.PISTON, FRONT FORK	1	1	1	
35	4GY-23170-00	.CYLINDER COMP., FRONT FORK	1	1	1	
36	2VM-23173-L0	.SPINDLE, TAPER	1	1	1	
37	4PX-2314A-10	.PISTON ROD ASSY	1	1	1	
38	4PX-23141-10	.SPRING, FRONT FORK	1	1	1	
39	4V4-23142-L0	.SEAT, SPRING UPPER	2	2	2	
40	4GY-23118-01	.SPACER	1	1	1	
41	2HH-23158-L0	.GASKET	1	1	1	
42	4PX-2316A-10	.VALVE COMP.	1	1	1	
43	3XP-23188-00	.O-RING	1	1	1	
44	55Y-2312G-M0	.PLUG	1	1	1	
45	3XJ-23357-L0	.NUT	1	1	1	
46	2VM-23111-L0	.BOLT, CAP	1	1	1	
47	4V4-23188-L0	.O-RING	1	1	1	
48	24M-23190-00	.AIR VALVE COMP.	1	1	1	
49	3J2-23147-00	.O-RING	1	1	1	
50	2VN-23185-L0	.COVER, VALVE	1	1	1	
51	4V2-23167-L0	.HOLDER, AXLE	1	1	1	
52	2KF-23127-01	.NUT, OUTER TUBE	4	4	4	
53	4GY-23191-50	BOOT	2	2	2	YB
54	55U-23489-00	BAND	2	2	2	

D6

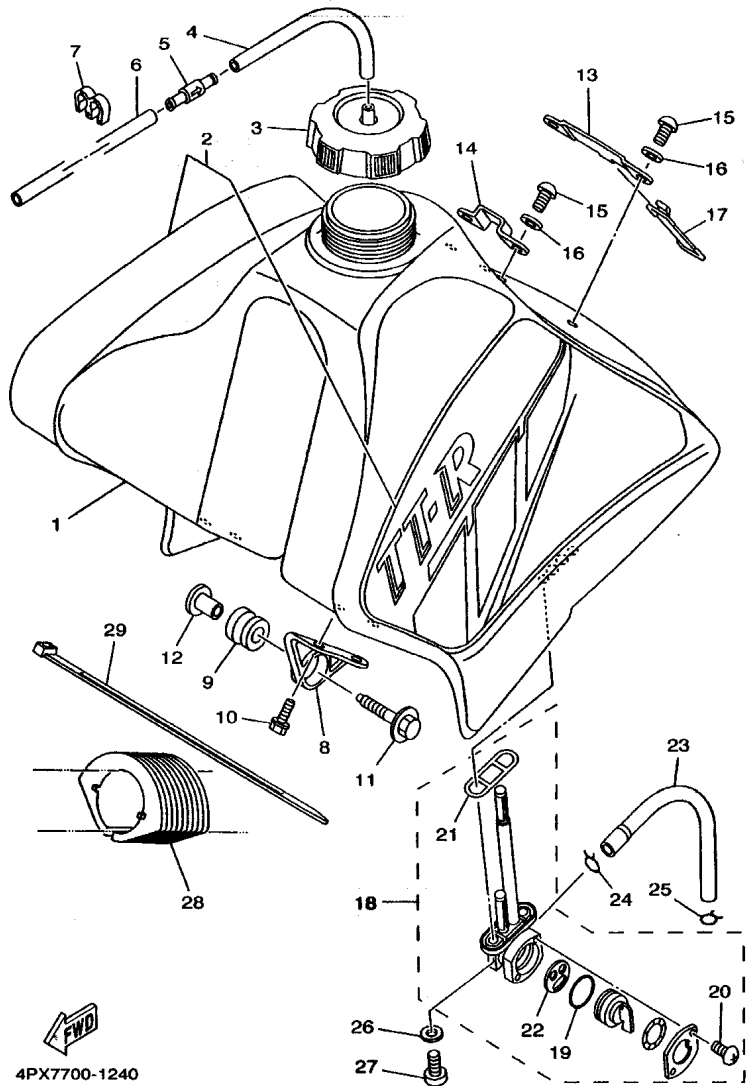
FIG. 23 FRONT FORK



REF. NO.	PART NO.	DESCRIPTION	5GF7	5GF8	5GF9	REMARKS
55	43M-23192-L0	BAND	2	2	2	
56	98506-04016	SCREW, PAN HEAD	2	2	2	
57	4PX-23340-10	UNDER BRACKET COMP.	1	1	1	
58	95021-08040	BOLT, FLANGE	4	4	4	
59	5GF-2331E-00	GUIDE, CABLE	1	1	1	
60	5GF-85112-00	BRACKET, REFLECTOR 1			2	
61	4GY-23389-00	GUIDE, CABLE	1	1	1	
62	90105-05361	BOLT, WASHER BASED	1	1	1	
63	4PX-23318-00	HOLDER, CABLE 1	1	1	1	
64	90465-14192	CLAMP	2	2	2	
65	91317-06016	BOLT	2	2	2	
66	2EK-85111-00	REFLECTOR, FRONT 1			2	

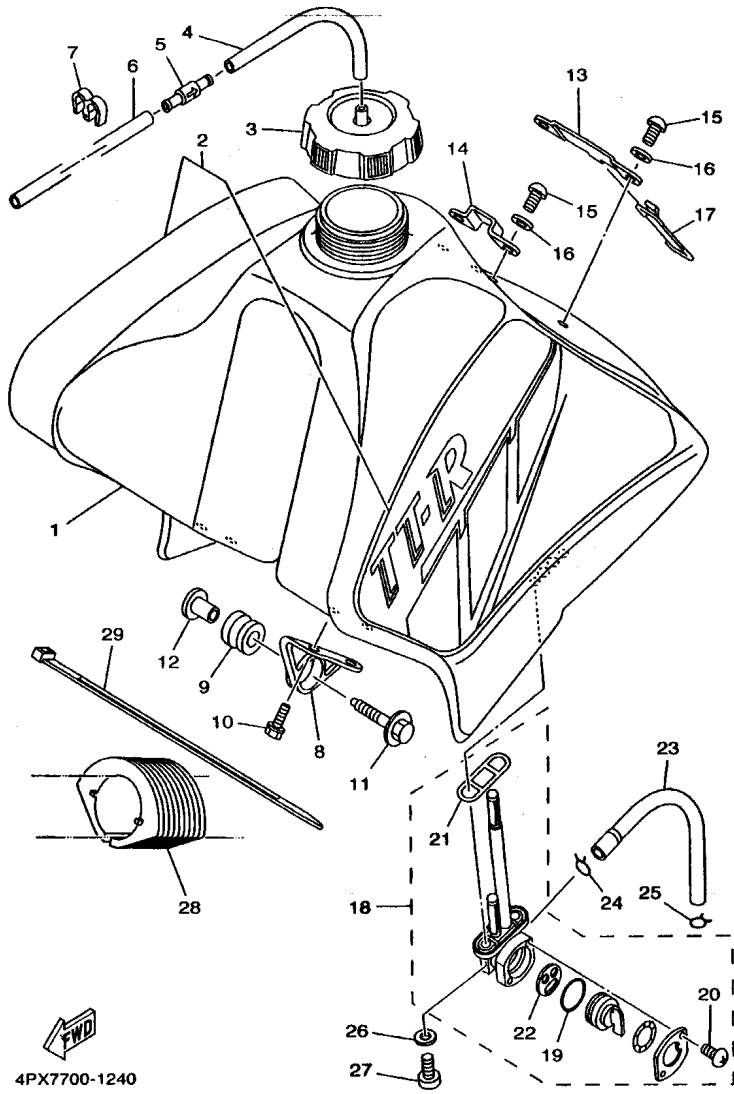
D7

FIG. 24 FUEL TANK



REF. NO.	PART NO.	DESCRIPTION	SGF7	SGF8	SGF9	REMARKS
1	4PX-24110-00	FUEL TANK COMP.	1	1	1	
2	5GF-24240-00	GRAPHIC SET	1	1	1	
3	5MV-24610-00	CAP ASSY	1	1	1	
4	90445-09220	HOSE	1	1	1	
5	3XJ-24380-00	PIPE JOINT ASSY	1	1	1	
6	90445-09251	HOSE (L350)	1	1	1	
7	90464-60067	CLAMP	1	1	1	
8	24X-24144-00	HOLDER, DAMPER	2	2	2	
9	90480-18549	GROMMET	2	2	2	
10	95027-06016	BOLT, FLANGE	4	4	4	
11	90119-06214	BOLT, WITH WASHER	2	2	2	
12	3JD-24186-00	WASHER, SPECIAL	2	2	2	
13	4PX-21348-00	BRACKT, TANK FITTING	1	1	1	
14	4PX-21946-00	BRACKET, SEAT FITTING	1	1	1	
15	98507-06014	SCREW, PAN HEAD	4	4	4	
16	92907-06600	WASHER, PLATE	4	4	4	
17	4PX-24173-00	BAND, TANK FITTING 1	1	1	1	
18	2GU-24500-01	FUEL COCK ASSY 1	1	1	1	
19	3AJ-24534-00	.SEAL, COCK	1	1	1	
20	97801-03008	.SCREW, PAN HEAD	2	2	2	
21	4X8-24512-00	.O-RING	1	1	1	
22	3AJ-24523-00	.VALVE PACKING	1	1	1	
23	4PX-24311-00	PIPE, FUEL 1	1	1	1	
24	90467-11106	CLIP	1	1	1	
25	90467-09006	CLIP	1	1	1	
26	90202-05193	WASHER, PLATE	2	2	2	
27	90149-06011	SCREW	2	2	2	

D8



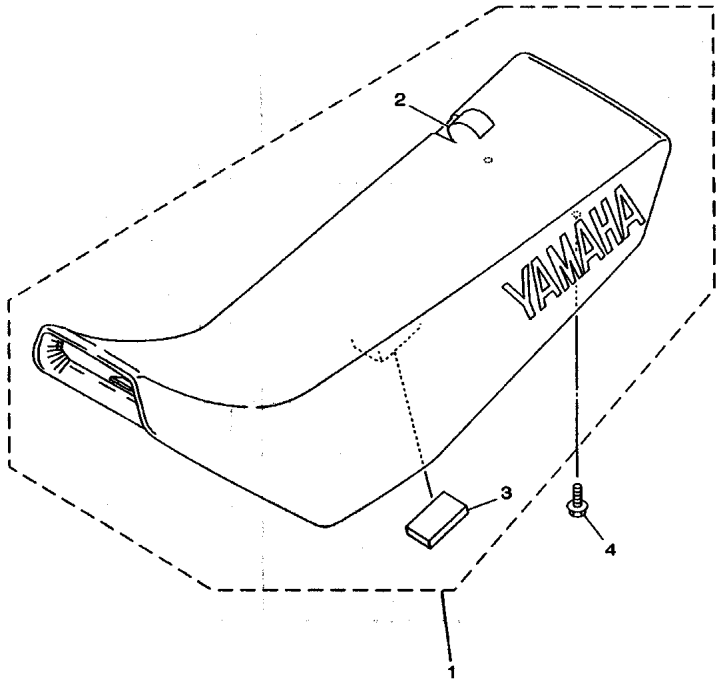
4PX7700-1240

FIG. 24 FUEL TANK

REF. NO.	PART NO.	DESCRIPTION	SGF7	SGF8	SGF9	REMARKS
28	4GY-24184-00	DAMPER, LOCATING 4	1	1	1	
29	90465-13275	CLAMP	1	1	1	

FIG. 25 SEAT

REF. NO.	PART NO.	DESCRIPTION	5GF7	5GF8	5GF9	REMARKS
1	4GY-24730-A0	DOUBLE SEAT ASSY	1	1	1	
2	4GY-24731-A0	.COVER, SEAT	1	1	1	
3	3TB-24185-00	.DAMPER, LOCATING 5	1	1	1	
4	95807-06016	BOLT, FLANGE	2	2	2	



5GF7100-1250

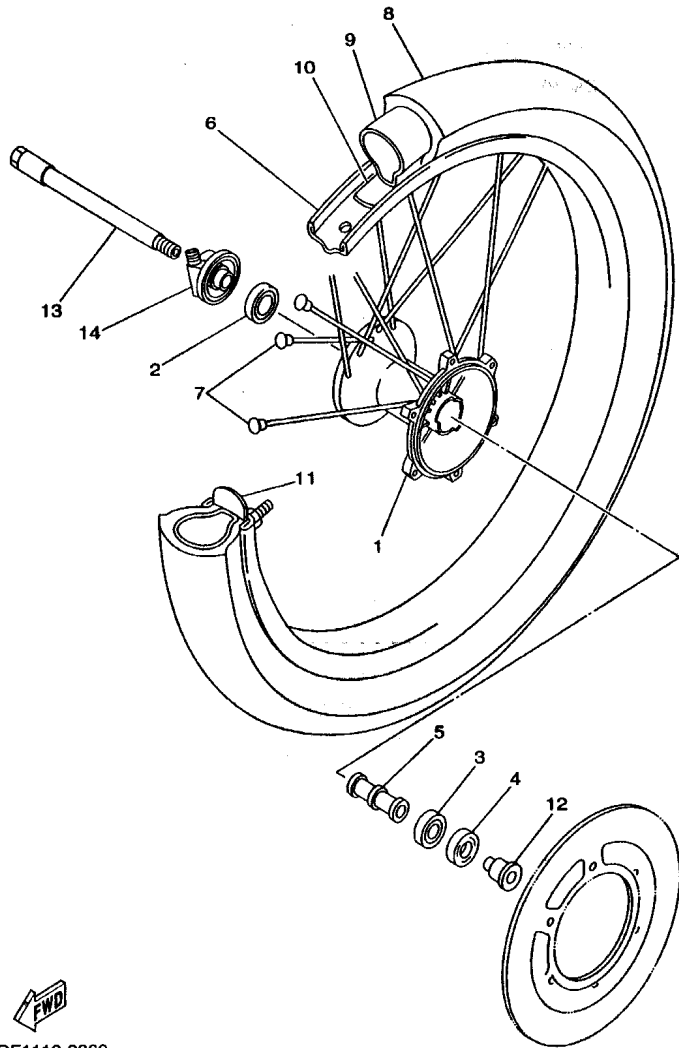


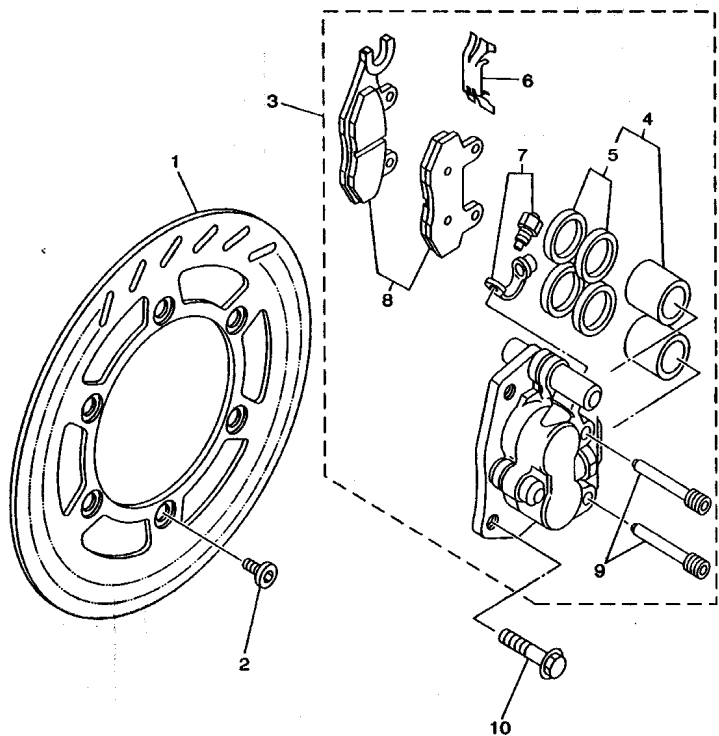
FIG. 26 FRONT WHEEL

REF. NO.	PART NO.	DESCRIPTION	5GF7	5GF8	5GF9	REMARKS
1	4PX-25111-00-35	HUB, FRONT	1	1	1	SL
2	93306-20212	BEARING	1	1	1	
3	93306-00316	BEARING	1	1	1	
4	93106-22032	OIL SEAL	1	1	1	
5	90580-15240	SPACER	1	1	1	
6	94416-21555	RIM (1.60-21)	1	1	1	
7	3LD-25104-00	SPOKE SET, FRONT	1	1	1	
8	94108-21011	TIRE (80/100-21 51M D739FA)	1	1	1	DUNLOP
9	94227-21101	TUBE (80/100-21 TR4 BTL)	1	1	1	DUNLOP
10	94309-21161	BAND, RIM (70-80/100-21)	1	1	1	DUNLOP
11	2J5-25394-01	SPACER, BEAD	1	1	1	
12	90387-1501X	COLLAR	1	1	1	
13	4PX-25181-00	AXLE, WHEEL	1	1	1	
14	4PX-25190-00	GEAR UNIT ASSY	1	1	1	

5GF1110-9260

D11

FIG. 27 FRONT BRAKE CALIPER



REF. NO.	PART NO.	DESCRIPTION	5GF7	5GF8	5GF9	REMARKS
1	3XP-2582T-00	DISC, BRAKE	1	1	1	
2	90109-065F3	BOLT	6	6	6	
3	5GF-2580T-00	CALIPER ASSY (LEFT)	1	1	1	
4	4EW-W0057-00	.PISTON ASSY, CALIPER	1	1	1	
5	3JD-W0047-00	..CALIPER SEAL KIT	1	1	1	
6	3SP-25919-01	.SUPPORT, PAD	1	1	1	
7	1UY-W0048-50	.BLEED SCREW KIT	1	1	1	
8	5GF-W0045-00	.BRAKE PAD KIT	1	1	1	
9	3GD-25933-00	.PIN, PAD	2	2	2	
10	90105-10778	BOLT, WASHER BASED	2	2	2	


5GF1110-9270

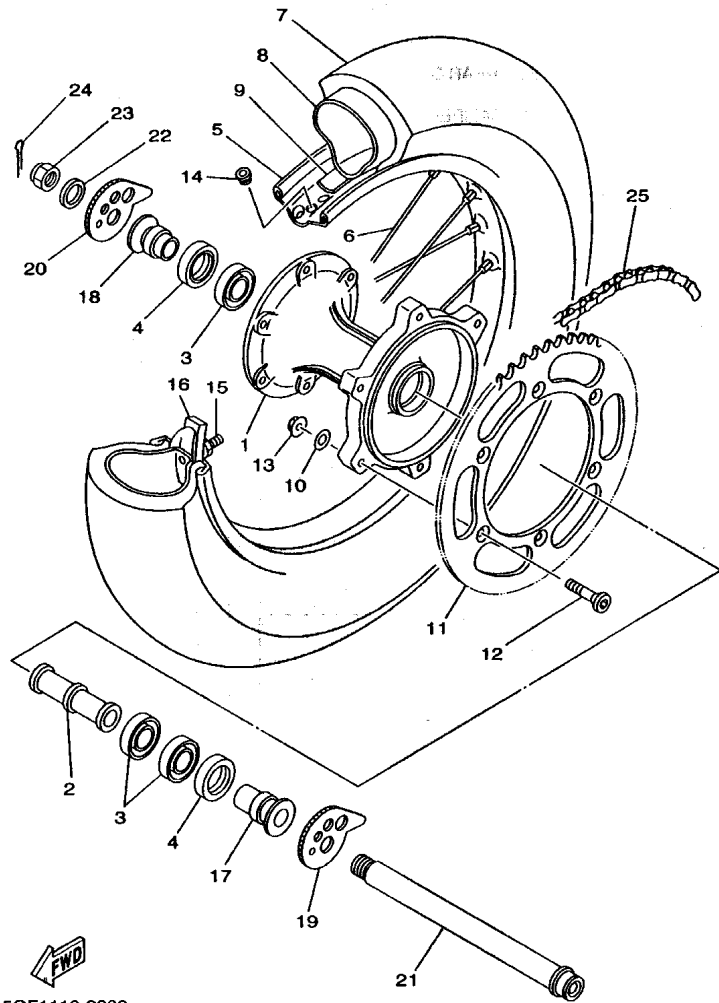
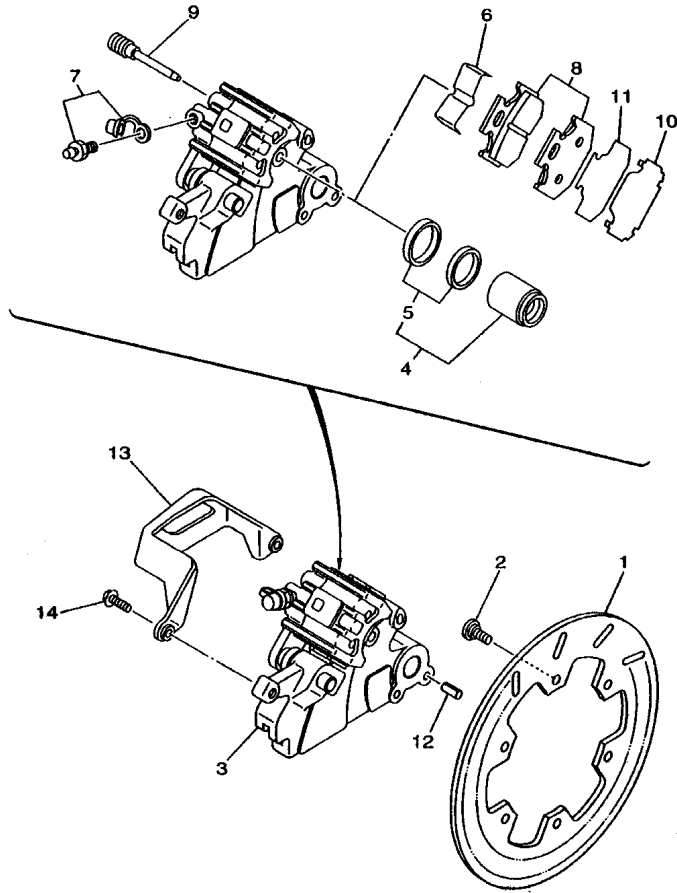


FIG. 28 REAR WHEEL

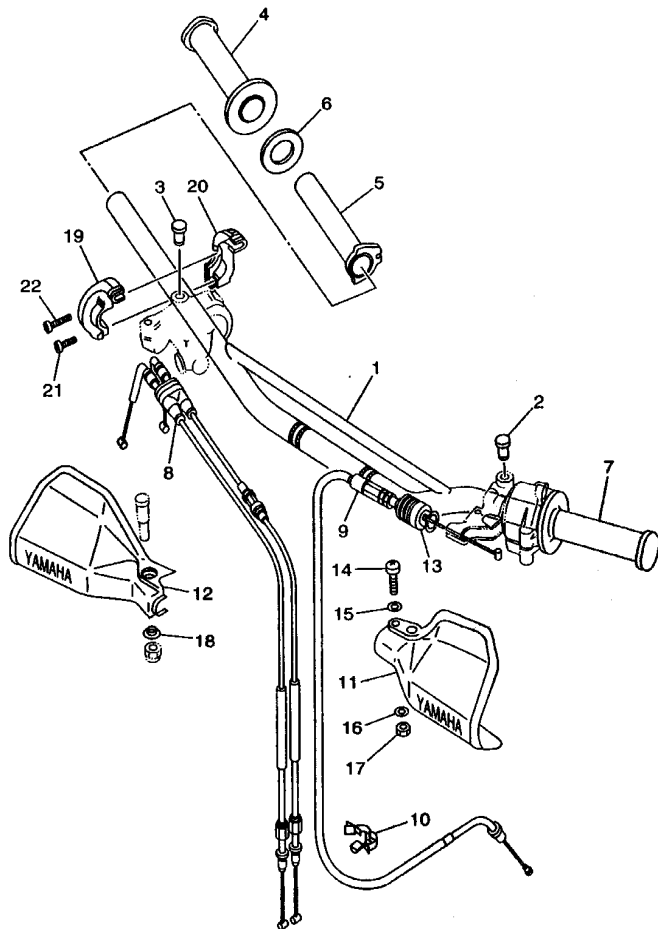
REF. NO.	PART NO.	DESCRIPTION	SGF7	SGF8	SGF9	REMARKS
1	4GY-25311-00-35	HUB, REAR	1	1	1	SL
2	90560-20278	SPACER	1	1	1	
3	93306-07202	BEARING	3	3	3	
4	93106-28023	OIL SEAL	2	2	2	
5	94421-18612	RIM (2.15-18)	1	1	1	
6	2VN-25304-00	SPOKE SET, REAR	1	1	1	
7	94110-1815H	TIRE (100/100-18 59M D739)	1	1	1	DUNLOP
8	94211-18176	TUBE (100-120/80-100-18)	1	1	1	DUNLOP
9	94309-18146	BAND, RIM (110/100-18)	1	1	1	DUNLOP
10	90201-08326	WASHER, PLATE	6	6	6	
11	26A-25452-50	SPROCKET, DRIVEN (52T)	1	1	1	
12	90109-081G2	BOLT	6	6	6	
13	95607-08200	NUT, SELF-LOCKING	6	6	6	
14	90480-08608	GROMMET	1	1	1	
15	39X-25394-00	SPACER, BEAD	1	1	1	
16	4XM-25364-00	DAMPER	1	1	1	
17	90387-2001U	COLLAR	1	1	1	
18	90387-2001V	COLLAR	1	1	1	
19	3BN-25388-00	PULLER, CHAIN 1	1	1	1	
20	3BN-25389-00	PULLER, CHAIN 2	1	1	1	
21	4GY-25381-00	AXLE, WHEEL	1	1	1	
22	90201-204M9	WASHER, PLATE	1	1	1	
23	90171-18053	NUT, CASTLE	1	1	1	
24	91401-25030	PIN, COTTER	1	1	1	
25	94581-51110	CHAIN, DRIVE (DID520V2-110L)	1	1	1	

FIG. 29 REAR BRAKE CALIPER



REF. NO.	PART NO.	DESCRIPTION	SGF7	SGF8	SGF9	REMARKS
1	4GY-2582W-00	DISC, REAR BRAKE 2	1	1	1	
2	90109-065F3	BOLT	6	6	6	
3	5GF-2580W-00	CALIPER ASSY, REAR 2	1	1	1	
4	3SP-W0057-50	.PISTON ASSY, CALIPER	1	1	1	
5	3JD-W0047-50	..CALIPER SEAL KIT	1	1	1	
6	4GY-25919-50	.SUPPORT, PAD	1	1	1	
7	1UY-W0048-50	.BLEED SCREW KIT	1	1	1	
8	5GF-W0046-00	.BRAKE PAD KIT 2	1	1	1	
9	3SP-25924-51	.PIN, PAD	2	2	2	
10	4GY-25827-50	.SHIM, CALIPER	1	1	1	
11	4GY-22898-50	.INSULATOR, HEAT	1	1	1	
12	91690-60016	PIN, SPRING	2	2	2	
13	4GY-27491-00	PROTECTOR	1	1	1	
14	95027-06016	BOLT, FLANGE	2	2	2	


5GF1110-9290

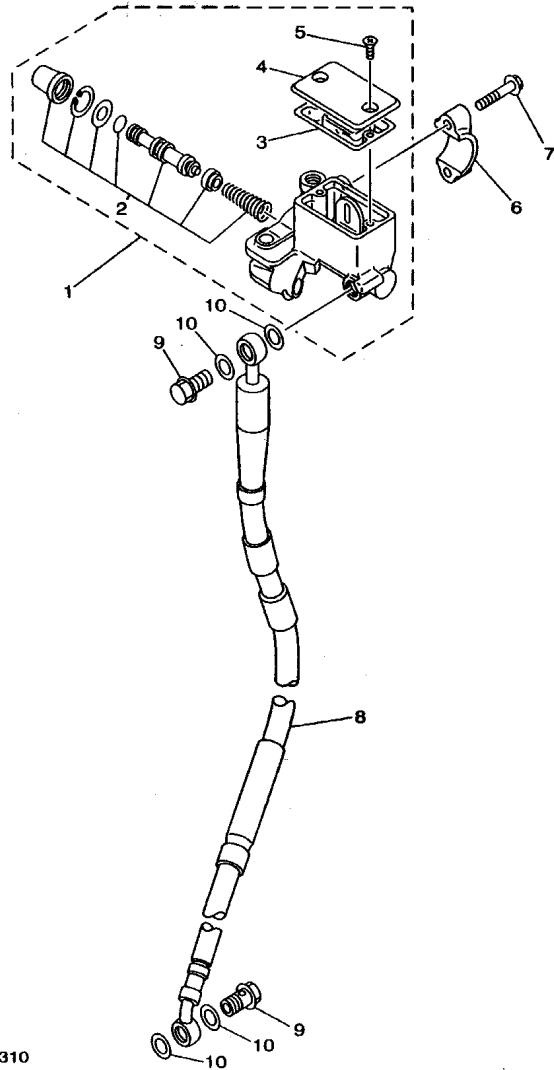



 5GF1110-9300

FIG. 30 STEERING HANDLE. CABLE

REF. NO.	PART NO.	DESCRIPTION	5GF7	5GF8	5GF9	REMARKS
1	4GY-26111-00	HANDLEBAR	1	1	1	
2	90338-09012	PLUG	1	1	1	
3	90338-09012	PLUG	1	1	1	
4	4GY-26242-00	GRIP (RIGHT)	1	1	1	
5	3Y1-26243-01	TUBE, THROTTLE GUIDE	1	1	1	
6	3Y1-26249-00	RING, LEAF	1	1	1	
7	4GY-26241-00	GRIP (LEFT)	1	1	1	
8	4GY-26302-02	THROTTLE CABLE ASSY	1	1	1	
9	4GY-26335-02	CABLE, CLUTCH	1	1	1	
10	90464-10193	CLAMP	1	1	1	
11	3BN-26141-20	GUARD, BRUSH 1	1	1	1	PWS1
12	3BN-26142-20	GUARD, BRUSH 2	1	1	1	PWS1
13	1E6-26342-00	BOOT, CABLE	1	1	1	
14	98507-06035	SCREW, PAN HEAD	1	1	1	
15	92907-06600	WASHER, PLATE	1	1	1	
16	92907-06600	WASHER, PLATE	1	1	1	
17	95607-06100	NUT, U	1	1	1	
18	90387-06500	COLLAR	1	1	1	
19	34K-26281-00	CAP, GRIP UPPER	1	1	1	
20	1VJ-26282-00	CAP, GRIP LOWER	1	1	1	
21	98507-05020	SCREW, PAN HEAD	1	1	1	
22	98507-05025	SCREW, PAN HEAD	1	1	1	

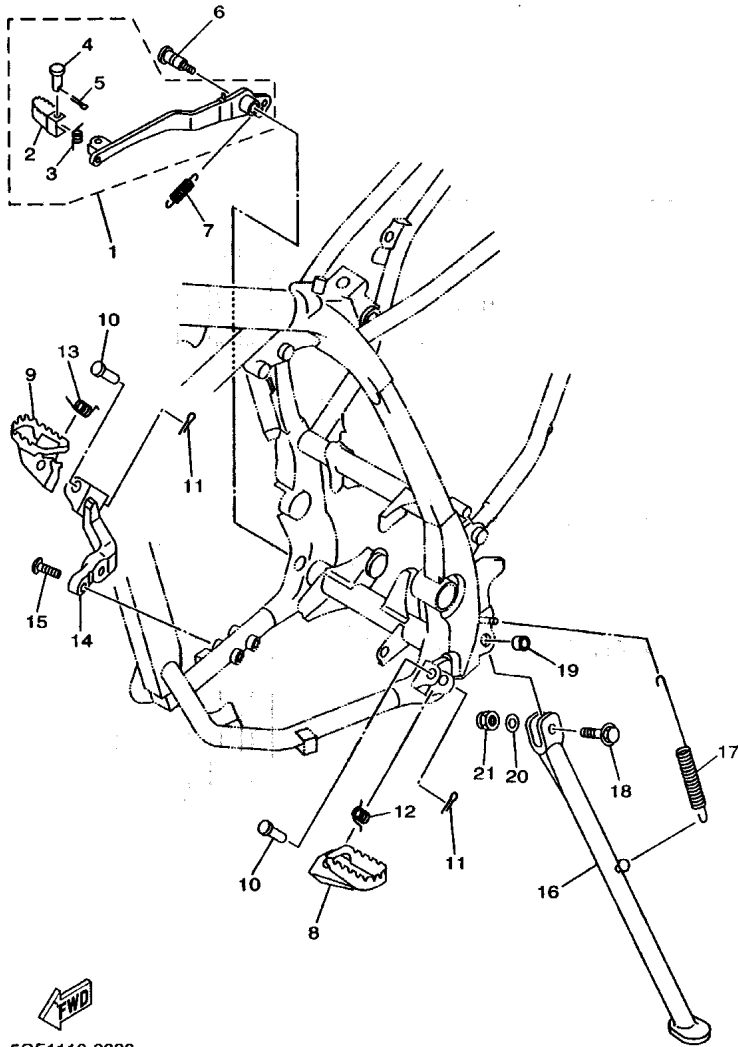
FIG. 31 FRONT MASTER CYLINDER



FWD
5GF1110-9310

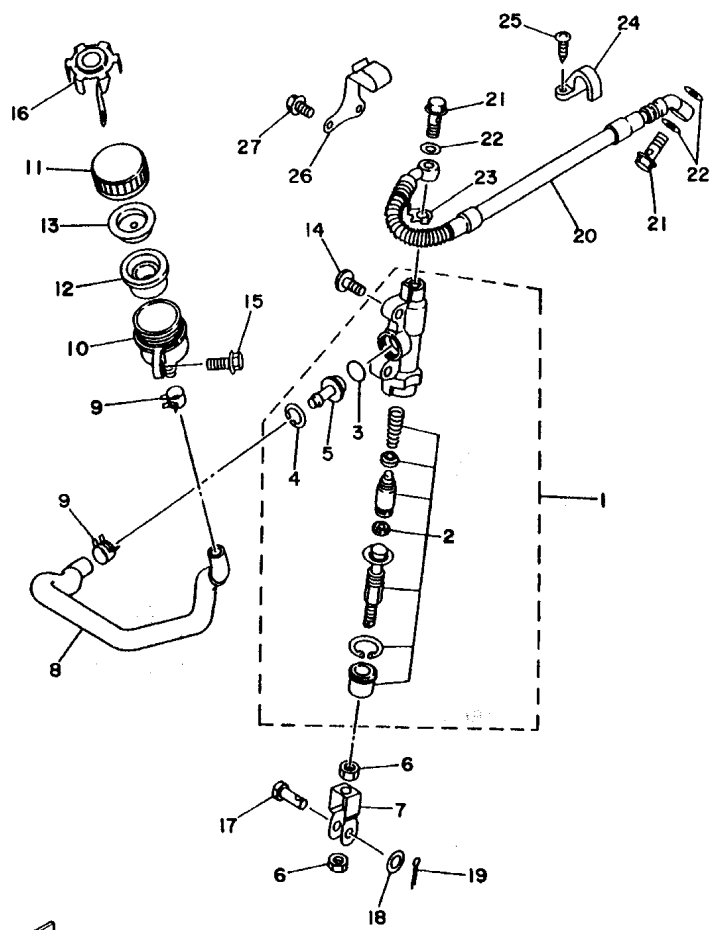
REF. NO.	PART NO.	DESCRIPTION	5GF7	5GF8	5GF9	REMARKS
1	4GY-25870-02	MASTER CYLINDER SUB ASSY	1	1	1	
2	5CG-W0041-00	.CYLINDER KIT, MASTER	1	1	1	
3	3RW-25854-00	.DIAPHRAGM, RESERVOIR	1	1	1	
4	4GY-25852-00	.CAP, RESERVOIR	1	1	1	
5	98706-04012	.SCREW, FLAT HEAD	2	2	2	
6	3RW-25867-00	BRACKET, MASTER CYLINDER	1	1	1	
7	95027-06025	BOLT, FLANGE	2	2	2	
8	5GF-25872-00	HOSE, BRAKE 1	1	1	1	
9	90401-10159	BOLT, UNION	2	2	2	
10	90201-10118	WASHER, PLATE	4	4	4	

FIG. 32 STAND. FOOTREST



5GF1110-9320

REF. NO.	PART NO.	DESCRIPTION	5GF7	5GF8	5GF9	REMARKS
1	5GF-27200-00	PEDAL, BRAKE	1	1	1	
2	4TP-27242-00	.PEDAL, BRAKE	1	1	1	
3	90508-14352	.SPRING, TORSION	1	1	1	
4	91701-06022	.PIN, CLEVIS	1	1	1	
5	91401-20012	.PIN, COTTER	1	1	1	
6	4GY-27217-00	BOLT	1	1	1	
7	90506-20369	SPRING, TENSION	1	1	1	
8	4DA-27411-00	FOOTREST 1	1	1	1	
9	4GY-27421-00	FOOTREST 2	1	1	1	
10	90240-10117	PIN, CLEVIS	2	2	2	
11	91401-25015	PIN, COTTER	2	2	2	
12	90508-28777	SPRING, TORSION	1	1	1	
13	90508-284A7	SPRING, TORSION	1	1	1	
14	4GY-27422-00	BRACKET, FOOTREST 2	1	1	1	
15	90111-10008	BOLT	2	2	2	
16	4GY-27311-01	STAND, SIDE	1	1	1	
17	90506-35474	SPRING, TENSION	1	1	1	
18	90105-10728	BOLT, WASHER BASED	1	1	1	
19	90387-1003G	COLLAR	1	1	1	
20	92990-10200	WASHER, PLAIN	1	1	1	
21	95617-10100	NUT, U	1	1	1	



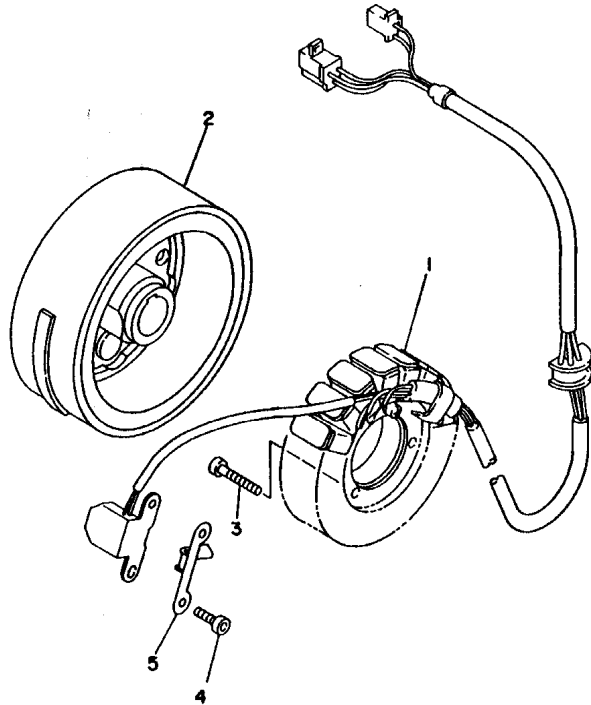
FWD
4PX1700-5330

FIG. 33 REAR MASTER CYLINDER

REF. NO.	PART NO.	DESCRIPTION	SGF7	SGP8	SGP9	REMARKS
1	4GY-2583V-00	RR. MASTER CYLINDER ASSY.	1	1	1	
2	4GY-W0042-00	.CYLINDER KIT, MASTER	1	1	1	
3	93210-15620	.O-RING	1	1	1	
4	2VN-25866-00	.CIRCLIP	1	1	1	
5	3PA-2582A-50	.JOINT	1	1	1	
6	95307-08600	NUT	2	2	2	
7	4GY-27222-00	JOINT	1	1	1	
8	4GY-25895-00	HOSE, RESERVOIR	1	1	1	
9	90467-12053	CLIP	2	2	2	
10	2VN-25894-00	TANK, RESERVOIR	1	1	1	
11	4PX-25852-00	CAP, RESERVOIR	1	1	1	
12	2VN-25854-00	DIAPHRAGM, RESERVOIR	1	1	1	
13	2VN-25855-00	BUSH,DIAPHRAGM	1	1	1	
14	92017-08016	BOLT, BUTTON HEAD	2	2	2	
15	95807-06014	BOLT, FLANGE	1	1	1	
16	3ET-25888-00	COVER, RESERVOIR TANK	1	1	1	
17	90240-08120	PIN, CLEVIS	1	1	1	
18	90201-08089	WASHER, PLATE	1	1	1	
19	91401-25015	PIN, COTTER	1	1	1	
20	4GY-25873-01	HOSE, BRAKE 2	1	1	1	
21	90401-10159	BOLT, UNION	2	2	2	
22	90201-10118	WASHER, PLATE	3	3	3	
23	4FU-25844-00	WASHER, LOCK	1	1	1	
24	2VM-25876-00	HOLDER, BRAKE HOSE 2	1	1	1	
25	97707-50510	SCREW, TAPPING	2	2	2	
26	90462-12195	CLAMP	1	1	1	
27	95027-06012	BOLT, FLANGE	2	2	2	

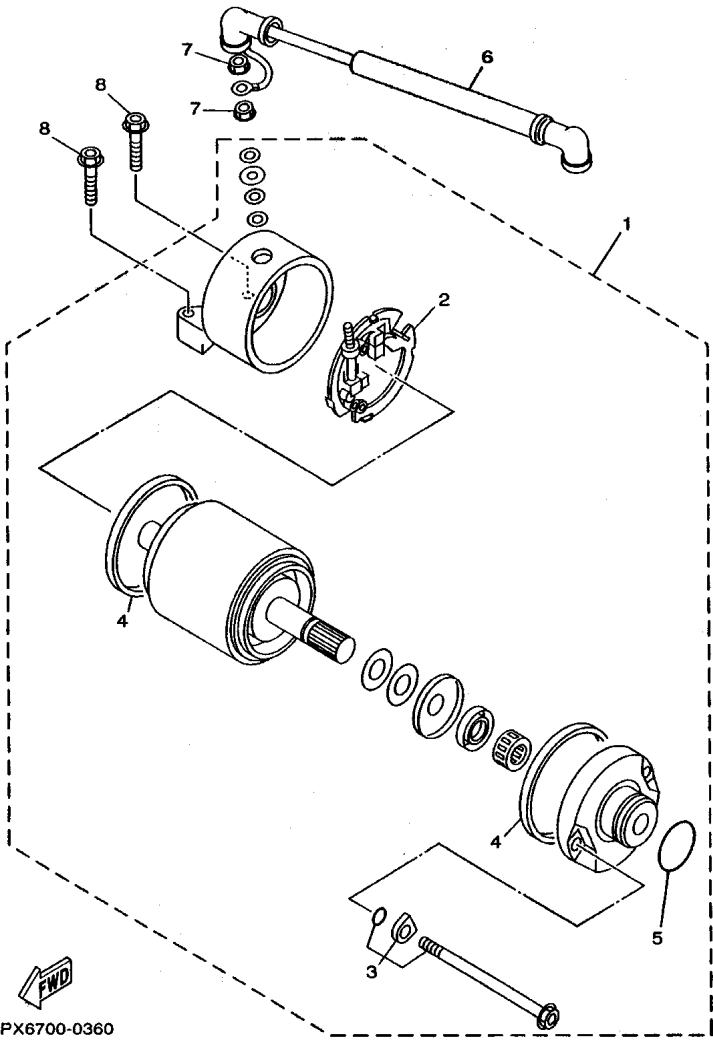
E4

FIG. 34 GENERATOR



REF. NO.	PART NO.	DESCRIPTION	SGF7	SGF8	SGF9	REMARKS
1	4GY-81410-01	STATOR ASSY	1	1	1	
2	4RR-81450-00	ROTOR ASSY	1	1	1	
3	91317-05025	BOLT	3	3	3	
4	91317-05012	BOLT	2	2	2	
5	90465-08358	CLAMP	1	1	1	


46Y1010-3340

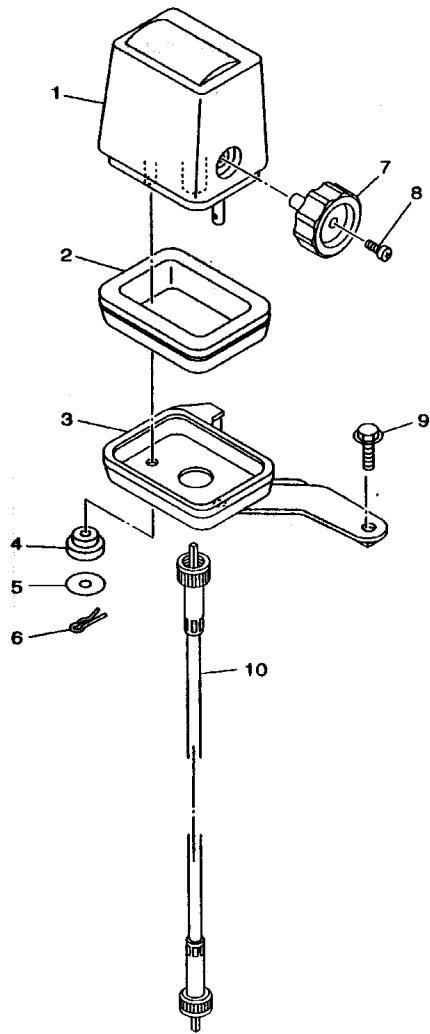


4PX6700-0360

FIG. 35 STARTING MOTOR

REF. NO.	PART NO.	DESCRIPTION	SGF7	SGF8	SGF9	REMARKS
1	4GY-81890-00	MOTOR ASSY	1	1	1	
2	3KS-81840-00	.BRUSH HOLDER ASSY	1	1	1	
3	3WP-81826-00	.BOLT	2	2	2	
4	11H-81844-00	.GASKET	2	2	2	
5	1FK-81847-00	.O-RING	1	1	1	
6	4GY-81815-01	CORD, STARTER MOTOR	1	1	1	
7	4XV-8182A-00	NUT	2	2	2	
8	90105-06717	BOLT, WASHER BASED	2	2	2	

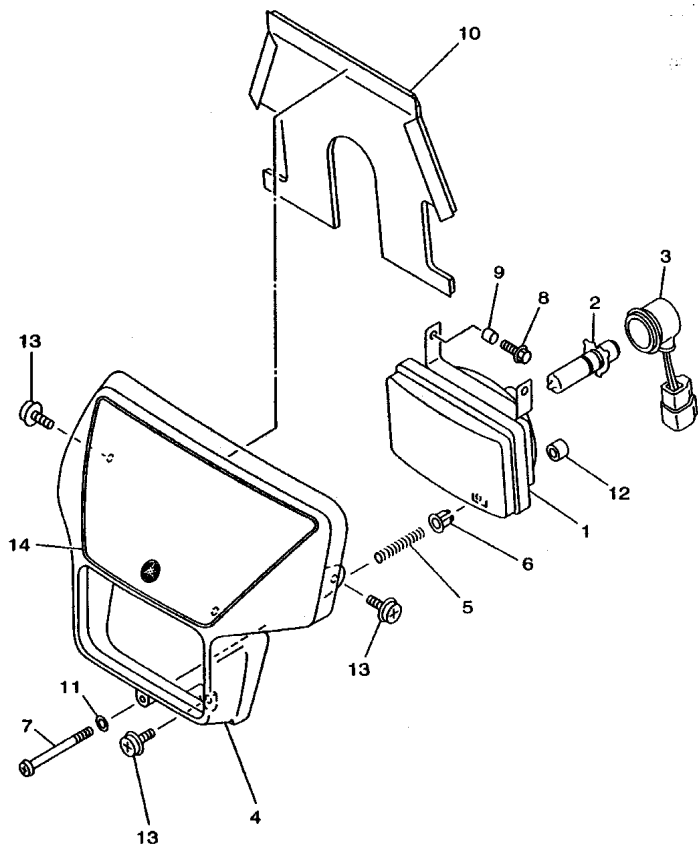
FIG. 36 METER



REF. NO.	PART NO.	DESCRIPTION				REMARKS
			5GF7	5GF8	5GF9	
1	4V5-83505-60	TRIP METER COMP.	1	1		MILE
	4V5-83505-F0	TRIP METER COMP.			1	KM
2	4V5-83513-00	DAMPER	1	1	1	
3	5GF-83519-00	BRACKET, METER	1	1	1	
4	1M1-83526-00	DAMPER 2	2	2	2	
5	90201-05033	WASHER, PLATE	2	2	2	
6	437-83525-00	CLIP	2	2	2	
7	3R8-83578-00	KNOB, TRIP METER	1	1	1	
8	90157-02031	SCREW, PAN HEAD	1	1	1	
9	95807-06014	BOLT, FLANGE	2	2	2	
10	5GF-83550-00	SPEEDOMETER CABLE ASSY	1	1	1	


GF1110-9360

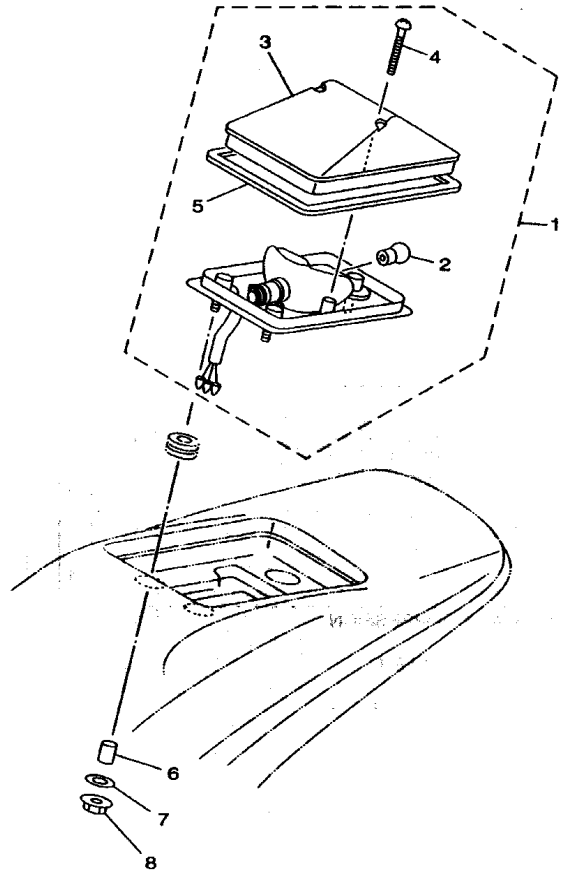
FIG. 37 HEADLIGHT



REF. NO.	PART NO.	DESCRIPTION	5GF7	5GF8	5GF9	REMARKS
1	4GY-84320-01	LENS ASSY	1	1	1	
2	3FW-84314-00	BULB, HEADLIGHT (12V-35/36.5W)	1	1	1	
3	3FW-84340-00	SOCKET CORD ASSY 1	1	1	1	
4	4GY-84311-30	BODY, HEADLIGHT	1	1	1	
5	4GY-84332-00	SPRING, SCREW	1	1	1	
6	50W-84334-00	NUT, ADJUSTING	1	1	1	
7	2F9-84331-00	SCREW, RIM ADJUSTING	1	1	1	
8	55U-84337-00	BOLT, SPECIAL	2	2	2	
9	55U-84328-00	SPACER	2	2	2	
10	3XP-84196-00	COVER, SOCKET	1	1	1	
11	92901-04600	WASHER, PLATE	1	1	1	
12	2RR-84178-00	PLUG	1	1	1	
13	90159-06189	SCREW, WITH WASHER	3	3	3	
14	5GF-28391-10	GRAPHIC 1	1	1	1	

5GF4100-0370

FIG. 38 TAILLIGHT



REF. NO.	PART NO.	DESCRIPTION	5GF7	5GF8	5GF9	REMARKS
1	4GY-84710-00	TAILLIGHT UNIT ASSY	1	1	1	
2	36Y-84714-40	.BULB, TAILLIGHT (12V-21/5W)	1	1	1	
3	4GY-84733-00	.LENS, TAILLIGHT	1	1	1	
4	97706-40530	.SCREW, TAPPING	2	2	2	
5	4GY-84723-00	.GASKET, TAIL LENS	1	1	1	
6	90387-065L5	COLLAR	3	3	3	
7	90201-06057	WASHER, PLATE	3	3	3	
8	95707-06500	NUT, FLANGE	3	3	3	



5GF1110-9380

THE

DEB ON

THU THOUJAT 00

HEJHAT R.U.R.

EMEL

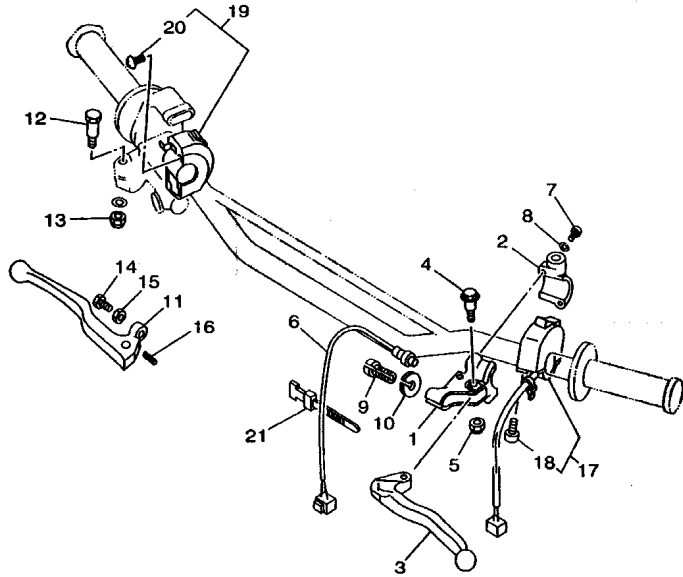


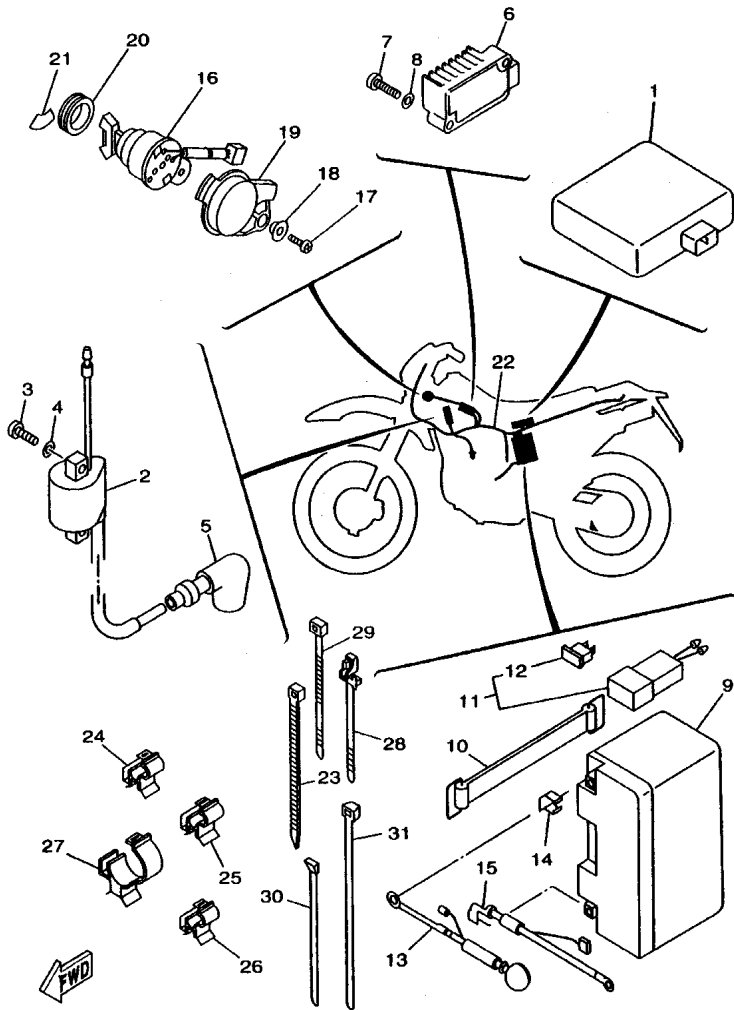
FIG. 39 HANDLE SWITCH, LEVER

REF. NO.	PART NO.	DESCRIPTION	5GF7	5GF8	5GF9	REMARKS
1	1LN-82911-00	HOLDER, LEVER 1	1	1	1	
2	33G-82913-01	HOLDER, LEVER LOWER 1	1	1	1	
3	4GY-83912-00	LEVER 1	1	1	1	
4	90109-06799	BOLT	1	1	1	
5	95607-06100	NUT, U	1	1	1	
6	4GY-82917-01	SWITCH	1	1	1	
7	98507-05020	SCREW, PAN HEAD	2	2	2	
8	92907-05100	WASHER, SPRING	2	2	2	
9	90123-08046	BOLT	1	1	1	
10	90179-08148	NUT	1	1	1	
11	55Y-83922-00	LEVER 2	1	1	1	
12	90109-062A8	BOLT	1	1	1	
13	95607-06100	NUT, U	1	1	1	
14	90149-06131	SCREW	1	1	1	
15	90170-06010	NUT	1	1	1	
16	90501-10312	SPRING, COMPRESSION	1	1	1	
17	5GF-83976-00	SWITCH, HANDLE 1	1	1	1	
18	98507-04014	SCREW, PAN HEAD	2	2	2	
19	4GY-83975-00	SWITCH, HANDLE 2	1	1	1	
20	98506-05018	SCREW, PAN HEAD	2	2	2	
21	437-83936-01	BAND, SWITCH CORD	4	4	4	



5GF1110-9390

FIG. 40 ELECTRICAL 1



5GF1110-9400

REF. NO.	PART NO.	DESCRIPTION	5GF7	5GF8	5GF9	REMARKS
1	4GY-85540-00	C.D.I. UNIT ASSY	1	1	1	
2	29U-82310-41	IGNITION COIL ASSY	1	1	1	
3	98507-06020	SCREW, PAN HEAD	2	2	2	
4	92907-06600	WASHER, PLATE	2	2	2	
5	1LN-82370-00	PLUG CAP ASSY	1	1	1	
6	3TJ-81960-02	RECTIFIER & REGULATOR ASSY	1	1	1	
7	98507-06030	SCREW, PAN HEAD	2	2	2	
8	92907-06600	WASHER, PLATE	2	2	2	
9	4UC-82100-01	BATTERY (GS GT7B-4)	1	1	1	
10	133-82131-00	BAND, BATTERY	1	1	1	
11	4RR-82150-00	FUSE HOLDER ASSY	1	1	1	
12	36Y-82151-00	.FUSE (15A-BL)	1	1	1	
13	4RR-82115-01	WIRE, PLUS LEAD	1	1	1	
14	4GY-82119-00	COVER, LEAD WIRE	1	1	1	
15	4GY-82116-00	WIRE, MINUS LEAD	1	1	1	
16	4GY-82510-10	MAIN SWITCH ASSY	1	1	1	
17	90149-06228	SCREW	1	1	1	
18	90387-087L0	COLLAR	1	1	1	
19	4GY-82568-01	COVER, MAIN SWITCH	1	1	1	
20	90480-24222	GROMMET	1	1	1	
21	4GY-82505-00	EMBLEM, MAIN SWITCH	1	1	1	
22	5GF-82590-00	WIRE HARNESS ASSY	1	1	1	
23	90464-16061	CLAMP	4	4	4	
24	90464-08189	CLAMP	2	2	2	
25	90464-15195	CLAMP	1	1	1	
26	90464-15192	CLAMP	2	2	2	
27	90464-20191	CLAMP	2	2	2	

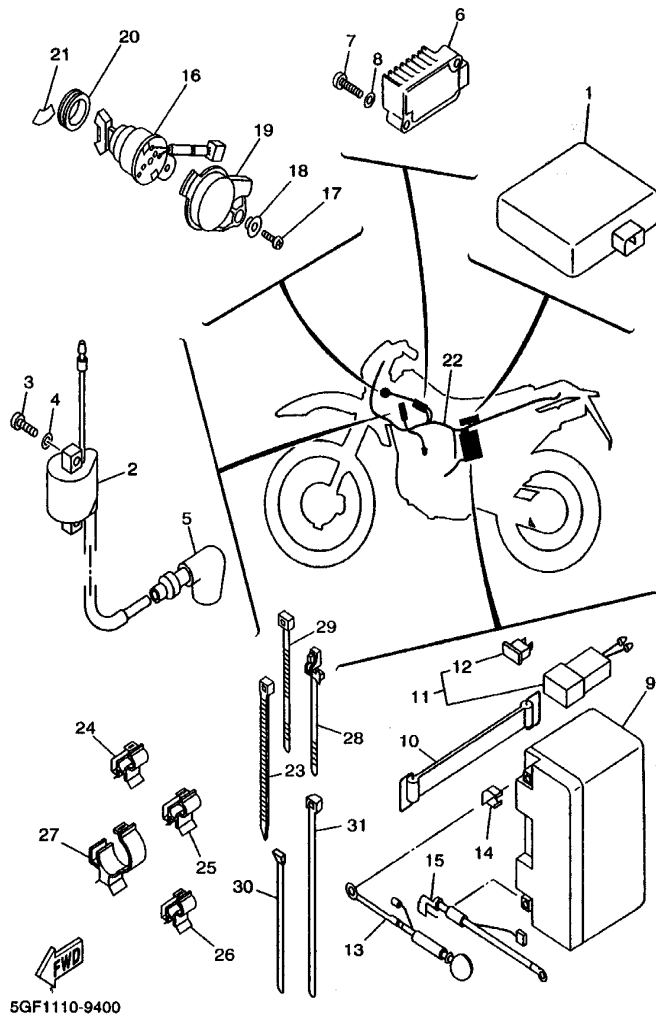
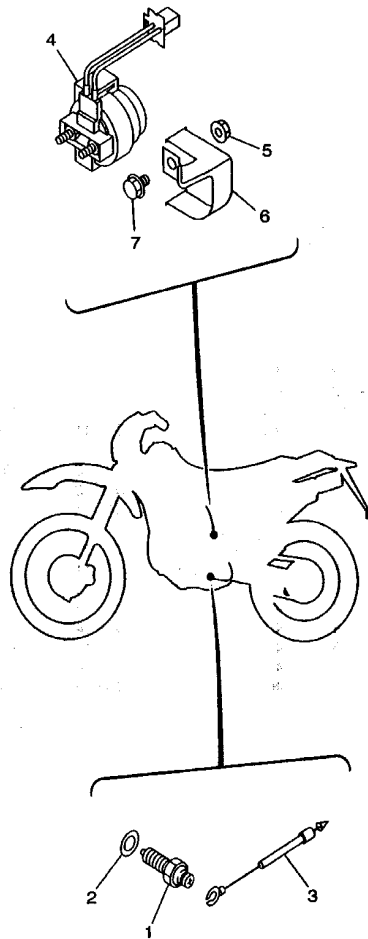


FIG. 40 ELECTRICAL 1

REF. NO.	PART NO.	DESCRIPTION	5GF7	5GF8	5GF9	REMARKS
28	90464-15200	CLAMP	1	1	1	
29	1UA-82591-00	BAND	4	4	4	
30	90464-15152	CLAMP	1	1	1	
31	90465-13275	CLAMP	1	1	1	

FIG. 41 ELECTRICAL 2



5GF1110-9410

REF. NO.	PART NO.	DESCRIPTION	5GF7	5GF8	5GF9	REMARKS
1	4GY-82540-10	NEUTRAL SWITCH ASSY	1	1	1	
2	90430-10148	GASKET	1	1	1	
3	4GY-82509-00	WIRE, SUB LEAD	1	1	1	
4	3SX-81940-00	STARTER RELAY ASSY	1	1	1	
5	95707-06500	NUT, FLANGE	2	2	2	
6	4GY-81953-00	STAY, RELAY	1	1	1	
7	95027-06012	BOLT, FLANGE	1	1	1	

NUMERICAL INDEX

PARTNO.	GRID NO.	PARTNO.	GRID NO.	PARTNO.	GRID NO.	PARTNO.	GRID NO.	PARTNO.	GRID NO.	PARTNO.	GRID NO.
5CG-W0041-00	E- 2	33M-12119-00	B- 6	4GY-14107-00	B- 12	55V-14728-00	B- 14	4GY-17411-00	C- 7	4GY-22177-00	C- 15
4GY-W0042-00	E- 4	4GY-12121-00	B- 6	5HO-14126-00	B- 13	4BD-14766-00	B- 14	4PX-17466-00	C- 2	4ES-22178-00	C- 12
5GF-W0045-00	D- 12	1WG-12153-21	B- 7	1HV-14147-00	B- 13	4GY-14799-00	B- 14	4GY-18101-00	C- 10	4EW-22178-00	C- 12
5GF-W0046-00	D- 14	1WG-12153-31	B- 7	3YF-14149-00	B- 13	4GY-1490J-00	B- 12	4GY-18102-00	C- 10	29L-22184-00	C- 15
3JD-W0047-00	D- 12	3LD-12168-A0	B- 6	4GY-14149-00	B- 13	3GV-1490K-00	B- 12	4GY-18110-00	C- 10	30X-2219X-00	C- 15
3JD-W0047-50	D- 14	3LD-12168-F0	B- 6	4GY-14149-10	B- 13	4GY-1490K-00	B- 13	1W6-18113-00	C- 10	4RR-22199-00	C- 15
1UY-W0048-50	D- 12	3LD-12168-H1	B- 6	4GY-14149-20	B- 13	4GY-14940-00	B- 13	4GY-18120-00	C- 10	5GF-22210-00-PO	D- 3
	D- 14	3LD-12168-K1	B- 6	4GY-14153-01	B- 12	4GY-14958-00	B- 13	4GY-18140-00	C- 10	5GF-22210-10-PO	D- 3
3SP-W0057-50	D- 14	3LD-12168-M1	B- 6	3YF-14159-00	B- 13	5HO-14991-00	B- 13	4GY-18511-00	C- 9	38V-22211-00	D- 3
4EW-W0057-00	D- 12	3LD-12168-R1	B- 6	24W-14193-00	B- 13	4RR-15100-02	B- 15	4GY-18512-00	C- 9	4GY-22212-01-PO	D- 3
4GY-W1142-00	B- 4	3LD-12168-U1	B- 6	3YF-14196-00	B- 13	4GY-15118-00	C- 2	4GY-18513-00	C- 9	3LD-22214-01	D- 3
4GY-Y2161-60	C- 13	3LD-12168-W1	B- 6	3UY-14197-00	B- 13	55X-15167-00	C- 4	4GY-18531-00	C- 9	4GY-22219-00	D- 3
5GF-Y2161-00	C- 13	3LD-12168-Y1	B- 6	4GY-14198-01	B- 12	2HT-15361-00	C- 2	4GY-18540-00	C- 9	3XP-22224-00	D- 3
4GY-Y2171-C0	C- 14	3LD-12168-00	B- 6	4GY-14272-00	B- 13	4GY-15370-00	B- 10	136-18542-00	C- 9	3SP-22241-00	D- 3
4GY-Y2172-C0	C- 14	3LD-12168-20	B- 6	6G8-14275-00	B- 13	4GY-15411-02	C- 2	5GF-21105-00-PO	C- 11	4GY-22261-00	D- 3
4GY-11102-02	B- 2	3LD-12168-40	B- 6	4GY-14276-00	B- 13	4GY-15415-01	C- 3	5GF-21110-00-PO	C- 11	3XJ-22475-00	D- 2
2GH-1111G-00	B- 2	3LD-12168-60	B- 6	4GY-14292-01	B- 12	4PX-15421-00	C- 2	1JK-21268-00	C- 12	4GY-22698-50	D- 14
4BR-1111G-00	B- 2	3LD-12168-80	B- 6	4GY-14293-00	B- 12	5GF-15431-00	C- 2	4GY-21315-00	C- 11	4PX-23102-10	D- 5
4GY-11133-10	B- 2	3LD-12169-E0	B- 6	5GF-14301-01	B- 12	4GY-15441-00	B- 15	4GY-21317-00	C- 11	4PX-23103-10	D- 5
4RR-11165-01	B- 2	3LD-12169-G0	B- 7	4GY-14312-40	B- 12	4GY-15451-00	C- 2	4GY-21318-01	C- 11	4GY-23110-00	D- 5
4RR-11166-00	B- 2	3LD-12169-J0	B- 7	14T-14323-00	B- 12	4GY-15461-00	C- 2	4GY-21319-00	C- 11		D- 6
4GY-11167-00	B- 10	3LD-12169-L0	B- 7	4GY-14326-00	B- 12	4GY-15512-01	C- 4	4PX-21348-00	D- 8	2VM-23111-L0	D- 5
59V-11167-00	B- 2	3LD-12169-N0	B- 7	4GY-14329-69	B- 12	4GY-15515-00	C- 4	1HX-2135F-10	D- 2		D- 6
4GY-11181-01	B- 2	3LD-12169-T0	B- 7	4GY-14341-20	B- 12	4GY-15517-01	C- 4	4GY-21365-00	C- 14	4GY-23118-01	D- 5
4RR-11191-02	B- 2	3LD-12169-11	B- 6	43F-14342-25	B- 12	4GY-15521-00	C- 4	22F-2139X-00	C- 15		D- 6
4GY-11193-00	B- 2	3LD-12169-31	B- 6	2KF-14371-01	B- 12	4GY-15590-00	C- 4	4GY-21471-00	C- 11	55Y-2312G-M0	D- 5
4GY-11310-01	B- 3	3LD-12169-50	B- 6	4GY-14384-00	B- 12	4GY-16111-00	C- 5	4GY-21486-00	C- 11		D- 6
4GY-11351-00	B- 3	3LD-12169-70	B- 6	2JN-14385-00	B- 12	5GF-16150-00	C- 5	4GY-21511-40	C- 13	3XJ-23125-L0	D- 5
4GY-11400-00	B- 4	3LD-12169-90	B- 6	689-14386-00	B- 12	30X-16154-00	C- 5	4GY-21642-00	C- 13		D- 6
4GY-11412-00	B- 4	4GY-12171-00	B- 8	5Y1-14397-00	B- 13	3XJ-16321-00	C- 5	4RR-2173E-30	C- 14	4GY-23126-00	D- 5
4GY-11454-00	B- 4	4GY-12176-00	B- 8	4GY-14401-00	B- 10	3XJ-16324-00	C- 5	4RR-2173F-30	C- 14	2KF-23127-01	D- 6
4GY-11496-00	B- 4	3GC-12210-10	B- 8	4GY-14412-00	B- 10	4GY-16351-00	C- 5	4GY-2174A-00	C- 14	4PX-23136-10	D- 5
4GY-11531-00	B- 4	4FM-12213-00	B- 8	4GY-14413-00	B- 10	5GF-16356-00	C- 5	4GY-2174T-00	C- 14	4PX-2314A-10	D- 5
4GY-11533-00	B- 4	4GY-12251-00	B- 8	3AJ-1443E-00	B- 10	4GY-16357-00	C- 5	1KT-21746-00	C- 13		D- 6
4GY-11603-00	B- 4	4GY-12252-00	B- 8	4GY-1443E-00	B- 11	1W1-16358-01	C- 5	2TK-21757-00	B- 10	4PX-23141-10	D- 5
4GY-11605-00	B- 4	296-13147-00	C- 4	4GY-14437-00	B- 10	5GF-16371-00	C- 5	4GY-2177G-00	C- 14		D- 6
4GY-11607-00	B- 4	4GY-13151-00	B- 9	1LN-14451-00	B- 10	4GY-16380-01	C- 5	4PX-21781-00	C- 14	4V4-23142-L0	D- 5
4GY-11631-00-C0	B- 4	4GY-13161-00	B- 9	4GY-14453-00	B- 10	51Y-17121-00	C- 7	5GF-2179T-10	C- 14		D- 6
30X-11633-03	B- 4	4GY-13300-01	B- 9	4GY-14458-00	B- 10	4GY-17131-00	C- 7	5GF-2179X-00	C- 14	2VM-23144-L0	D- 5
4GY-11636-00	B- 4	4GY-13326-00	B- 9	4GY-14459-00	B- 10	55V-17151-02	C- 7	4PX-21946-00	D- 8		D- 6
4GY-11638-00	B- 4	4GY-13329-00	B- 9	1LN-14462-00	B- 10	4GY-17161-01	C- 7	5GF-22110-00	C- 15	2VM-23145-L0	D- 5
4GY-11651-00	B- 4	22F-13411-01	B- 9	15A-14462-00	B- 10	4GY-17211-00	C- 7	4RR-22128-01	C- 15		D- 6
4GY-11681-00	B- 4	1UY-13440-02	B- 9	4GY-14485-00	B- 11	4GY-17221-00	C- 7	5X6-22141-01	C- 15	4V4-23146-L0	D- 5
4GY-12111-00	B- 6	4GY-13447-00	B- 9	4GY-14611-01	B- 14	4GY-17231-00	C- 7	4RR-22143-00	C- 15		D- 6
4GY-12113-00	B- 6	4GY-13490-00	B- 9	4FM-14613-00	B- 14	4GY-17241-00	C- 7	4GY-22151-00	C- 15	3J2-23147-00	D- 5
2GH-12116-00	B- 6	4GY-13586-00	B- 10	4GY-14628-00	B- 14	4GY-17251-00	C- 7	4GY-22165-00	C- 15		D- 6
4GY-12117-00	B- 6	4GY-13591-00	B- 10	5GF-14710-00	B- 14	4GY-17261-01	C- 7	4GY-2217A-00	C- 15	4V4-23153-L0	D- 5
1AA-12118-00	B- 6	4GY-14105-00	B- 12	4EL-14714-00	B- 14	4PX-17402-00	C- 7	4GY-2217F-00	D- 2		D- 6

M1

NUMERICAL INDEX

PARTNO.	GRID NO.	PARTNO.	GRID NO.	PARTNO.	GRID NO.	PARTNO.	GRID NO.	PARTNO.	GRID NO.	PARTNO.	GRID NO.
2HH-23158-L0	D-5	4X8-24512-00	D-8	3BN-26142-20	D-15	4GY-82509-00	E-13	90105-06384	B-2	90150-06036	C-14
	D-6	3AJ-24523-00	D-8	4GY-26241-00	D-15	4GY-82510-10	E-11	90105-06406	B-3	90153-06029	B-9
4PX-2316A-10	D-5	3AJ-24534-00	D-8	4GY-26242-00	D-15	4GY-82540-10	E-13	90105-06553	B-9	90154-05004	B-10
	D-6	214-24535-00	B-12	3Y1-26243-01	D-15	4GY-82568-01	E-11		C-2	90157-02031	E-7
4V2-23167-L0	D-6	5MV-24610-00	D-8	3Y1-26249-00	D-15	5GF-82590-00	E-11	90105-06717	E-6	90159-06010	C-5
4GY-23170-00	D-5	4GY-24730-A0	D-10	34K-26281-00	D-15	1UA-82591-00	E-12	90105-07385	B-8	90159-06056	B-10
	D-6	4GY-24731-A0	D-10	1VJ-26282-00	D-15	1LN-82911-00	E-10	90105-10050	C-11	90159-06189	E-8
3XJ-23171-L0	D-5	3LD-25104-00	D-11	4GY-26302-02	D-15	33G-82913-01	E-10	90105-10183	C-11	90159-06202	C-2
	D-6	4PX-25111-00-35	D-11	4GY-26335-02	D-15	4GY-82917-01	E-10	90105-10232	C-11	90170-06010	E-10
2VM-23173-L0	D-5	4PX-25181-00	D-11	1E6-26342-00	D-15	4V5-83505-F0	E-7	90105-10430	B-4	90170-08158	C-12
	D-6	4PX-25190-00	D-11	5GF-27200-00	E-3	4V5-83505-60	E-7	90105-10444	C-11	90170-16326	C-5
4GY-23174-00	D-4	2VN-25304-00	D-13	4GY-27217-00	E-3	4V5-83513-00	E-7	90105-10608	B-2	90170-16425	C-5
2VN-23185-L0	D-5	4GY-25311-00-35	D-13	4GY-27222-00	E-4	5GF-83519-00	E-7	90105-10609	C-11	90171-18053	D-13
	D-6	4XM-25364-00	D-13	4TP-27242-00	E-3	437-83525-00	E-7	90105-10614	D-3	90179-08148	E-10
3XP-23188-00	D-5	4GY-25381-00	D-13	4GY-27311-01	E-3	1M1-83526-00	E-7	90105-10728	E-3	90179-08410	B-14
	D-6	3BN-25388-00	D-13	4DA-27411-00	E-3	5GF-83550-00	E-7	90105-10745	B-2	90179-10665	D-2
4V4-23188-L0	D-5	3BN-25389-00	D-13	4GY-27421-00	E-3	3R8-83578-00	E-7	90105-10778	D-12	90179-12001	D-2
	D-6	2J5-25394-01	D-11	4GY-27422-00	E-3	4GY-83912-00	E-7	90105-122A1	B-9	90179-18552	C-8
24M-23190-00	D-5	39X-25394-00	D-13	4GY-27491-00	D-14	55Y-83922-00	E-10	90106-08053	C-11	90179-24542	D-4
	D-6	26A-25452-50	D-13	1WG-2814F-00	C-12	437-83936-01	E-10	90109-062A8	E-10	90179-28543	D-4
4GY-23191-50	D-6	5GF-2580T-00	D-12	23X-28166-00	C-12	4GY-83975-00	E-10	90109-063F7	C-10	90185-14112	D-2
4GY-23192-00	D-4	5GF-2580W-00	D-14	4RR-2831V-00	D-4	5GF-83976-00	E-10	90109-064A5	C-13	90185-16127	C-15
43M-23192-L0	D-7	3PA-2582A-50	E-4	4RR-2832V-00	D-4	3K7-84154-10	D-4	90109-06418	B-8	90201-03313	C-12
5GF-2331E-00	D-7	3XP-2582T-00	D-12	4GY-28386-00	B-10	4RR-84178-00	E-8	90109-06419	B-9	90201-04018	C-13
4PX-23318-00	D-7	4GY-2582W-00	D-14	5GF-28391-10	E-8	3XP-84196-00	E-8	90109-065F3	D-12	90201-05033	E-7
4PX-23340-10	D-7	4GY-25827-50	D-14	4GY-81410-01	E-5	4GY-84311-30	E-8		D-14	90201-06057	E-9
3XJ-23357-L0	D-5	4GY-2583V-00	E-4	4RR-81450-00	E-5	3FW-84314-00	E-8	90109-066F0	B-2	90201-067A0	C-15
	D-6	4FU-25844-00	E-4	4GY-81815-01	E-6	4GY-84320-01	E-8	90109-06605	B-2	90201-08086	C-11
4GY-23389-00	D-4	4GY-25852-00	E-2	4XV-8182A-00	E-6	55U-84328-00	E-8	90109-06799	E-10	90201-08089	E-4
	D-7	4PX-25852-00	E-4	3WP-81826-00	E-6	2F9-84331-00	E-8	90109-081G2	D-13	90201-08326	B-14
4GY-23416-00	D-4	2VN-25854-00	E-4	3KS-81840-00	E-6	4GY-84332-00	E-8	90109-082G0	B-14		D-13
4GY-23418-00	D-4	3RW-25854-00	E-2	11H-81844-00	E-6	50W-84334-00	E-8	90110-06091	C-4	90201-08366	B-3
4RR-23435-00	D-4	2VN-25855-00	E-4	1FK-81847-00	E-6	55U-84337-00	E-8	90110-06224	C-2	90201-086P8	C-12
1E6-23441-10-35	D-4	2VN-25866-00	E-4	4GY-81890-00	E-6	3FW-84340-00	E-8	90111-10008	E-3	90201-101A4	B-2
3SR-23442-01	D-4	3RW-25867-00	E-2	3SX-81940-00	E-13	1FK-84527-00	D-4	90116-10578	B-2	90201-10118	E-2
4GY-23472-20	D-4	4GY-25870-02	E-2	4GY-81953-00	E-13	4GY-84710-00	E-9	90119-06063	C-13		E-4
55U-23489-00	D-6	5GF-25872-00	E-2	3TJ-81960-02	E-11	36Y-84714-40	E-9	90119-06094	C-14	90201-102R1	B-4
4PX-24110-00	D-8	4GY-25873-01	E-4	4UC-82100-01	E-11	4GY-84723-00	E-9	90119-06096	B-11	90201-106F2	D-2
24X-24144-00	D-8	2VM-25876-00	E-4	4RR-82115-01	E-11	4GY-84733-00	E-9	90119-06097	B-11	90201-112U6	D-3
4PX-24173-00	D-8	3ET-25888-00	E-4	4GY-82116-00	E-11	2EK-85111-00	D-7	90119-06118	C-12	90201-12474	C-10
22W-24181-00	B-14	2VN-25894-00	E-4	4GY-82119-00	E-11	5GF-85112-00	D-7	90119-06194	C-13	90201-14740	D-2
4GY-24184-00	D-9	4GY-25895-00	E-4	4GY-82123-00	C-14	3Y6-85130-02	C-13	90119-06214	D-8	90201-164H4	C-15
3TB-24185-00	D-10	3SP-25919-01	D-12	133-82131-00	E-11	5GF-85132-00	C-13	90123-08046	E-10		D-2
3JD-24186-00	D-8	4GY-25919-50	D-14	4RR-82150-00	E-11	3DT-85142-00	C-13	90149-06011	D-8	90201-177G4	C-7
5GF-24240-00	D-8	3SP-25924-51	D-14	36Y-82151-00	E-11	4GY-85540-00	E-11	90149-06131	E-10	90201-204M9	D-13
4PX-24311-00	D-8	3GD-25933-00	D-12	29U-82310-41	E-11	90101-06664	C-14	90149-06228	E-11	90201-25291	C-4
3XJ-24380-00	D-8	4GY-26111-00	D-15	1LN-82370-00	E-11	90105-05361	D-4	90149-08067	C-5	90201-254H8	C-15
2GU-24500-01	D-8	3BN-26141-20	D-15	4GY-82505-00	E-11		D-7	90150-06021	C-14	90201-282R3	D-4

NUMERICAL INDEX

PARTNO.	GRID NO.	PARTNO.	GRID NO.	PARTNO.	GRID NO.	PARTNO.	GRID NO.	PARTNO.	GRID NO.	PARTNO.	GRID NO.
90201-284R9	D - 4	90401-14163	D - 2	90480-24222	E - 11	92907-05200	B - 10	93332-00078	D - 4	95607-10200	D - 3
90202-05193	D - 8	90413-07007	B - 13	90501-10312	E - 10	92907-06200	C - 5	93399-99916	D - 3	95617-08325	B - 2
90202-28216	D - 4	90430-06014	B - 8	90501-22721	B - 4	92907-06600	B - 8	93399-99935	D - 2	95617-10100	E - 3
90206-06090	B - 14		B - 9	90501-23391	C - 5		D - 4	93410-17037	C - 7	95617-12100	D - 4
90209-11262	B - 2		B - 15	90506-20369	E - 3		D - 8	93410-22039	C - 7	95707-05500	C - 13
90209-18208	C - 7	90430-06156	B - 9	90506-35474	E - 3		D - 15	93410-26067	C - 7	95707-06500	E - 9
90209-23241	C - 7	90430-08119	B - 9	90508-09420	C - 10		E - 11	93440-09141	B - 2		E - 13
90209-32328	B - 4		C - 5	90508-14352	E - 3	92990-04100	B - 12	93440-30113	D - 2	95804-06016	B - 14
90214-16063	C - 5	90430-10148	E - 13	90508-14525	C - 10	92990-10200	E - 3		D - 3	95807-06014	E - 4
90215-16286	C - 5	90430-10171	B - 9	90508-206A6	C - 5	92990-12200	D - 4	93450-19052	B - 5		E - 7
90215-16289	C - 5	90430-12213	B - 9	90508-26561	C - 10	93101-14164	C - 2	93511-32017	C - 6	95807-06016	D - 10
90215-23265	C - 7		B - 15	90508-284A7	E - 3	93102-12224	C - 5	93605-10090	B - 4	95817-06012	C - 11
90240-08120	E - 4	90445-09220	D - 8	90508-28777	E - 3	93102-14209	C - 10	93608-43228	C - 10	95817-06016	B - 15
90240-10117	E - 3	90445-09251	D - 8	90508-32682	C - 10	93102-25226	C - 7	9383R-13211	C - 7	95817-08016	C - 11
90254-07017	B - 4	90460-52210	B - 10	90560-15240	D - 11	93106-22032	D - 11	94108-21011	D - 11	95817-08055	C - 11
90267-32071	C - 11	90460-55233	D - 3	90560-17265	C - 4	93106-28023	D - 13	94110-1815H	D - 13	95817-08070	C - 11
90267-40105	C - 13	90460-58124	B - 11	90560-20278	D - 13	93108-35004	C - 15	94211-18176	D - 13	95817-10016	D - 2
90280-05013	B - 4	90462-08225	B - 15	91317-05012	C - 2	93109-20076	C - 15	94227-21101	D - 11	95817-12016	D - 2
90280-07055	C - 5	90462-10215	B - 15		E - 5		D - 2	94309-18146	D - 13	97007-06012	D - 4
90338-09012	D - 15	90462-12195	E - 4	91317-05025	E - 5	93210-07135	B - 9	94309-21161	D - 11	97007-06016	C - 13
90338-18067	B - 8	90464-08189	E - 11	91317-06016	D - 7	93210-10096	B - 9	94416-21555	D - 11	97007-06020	C - 15
90340-12059	B - 15	90464-10193	D - 15	91317-06020	B - 9	93210-14369	C - 2	94421-18612	D - 13	97027-06016	B - 8
90340-14128	C - 2	90464-15152	E - 12		B - 10	93210-15620	E - 4	94581-51110	D - 13	97027-06020	C - 10
90340-20143	C - 3	90464-15192	E - 11	91317-06025	B - 8	93210-19123	C - 3	94591-43122	B - 8	9706-04530	E - 9
90340-32123	C - 2	90464-15195	E - 11		C - 2	93210-32172	C - 2	94701-00318	B - 2	97707-50510	E - 4
90387-060A3	C - 12	90464-15200	E - 12	91317-06030	C - 2	93210-40659	B - 10	94701-00319	B - 2	97801-03008	D - 8
90387-064J1	C - 13	90464-16061	E - 11	91317-06035	C - 2	93210-54175	B - 9	95021-08040	D - 7	98501-04005	B - 12
90387-065L5	E - 9	90464-20191	E - 11	91317-06040	B - 15	93210-74424	C - 3	95024-08035	D - 4	98501-04008	B - 12
90387-06500	D - 15	90464-60067	D - 8		C - 2	93210-78544	B - 3	95027-06010	C - 15	98501-04014	B - 12
90387-06513	C - 15	90465-08358	E - 5	91317-06045	B - 15	93300-60804	C - 12	95027-06012	E - 4	98506-04016	D - 7
90387-06648	C - 13	90465-12373	C - 2		C - 2	93306-00316	D - 11		E - 13	98506-05018	E - 10
90387-06681	C - 13	90465-13275	D - 9	91317-06050	B - 15	93306-00320	C - 7	95027-06016	D - 8	98507-04014	E - 10
90387-06737	B - 11		E - 12		C - 2	93306-07202	D - 13		D - 14	98507-05010	B - 2
90387-086N4	C - 12	90465-14192	D - 7	91317-06055	B - 15	93306-20212	D - 11	95027-06025	E - 2		C - 15
90387-087L0	E - 11	90467-09006	D - 8	91317-06070	B - 9	93306-20332	C - 7	95027-06050	C - 15	98507-05020	D - 15
90387-100Y3	D - 3	90467-11106	B - 10		B - 15	93306-20427	C - 7	95027-08040	B - 14		E - 10
90387-1003G	E - 3		D - 8	91401-20012	E - 3	93306-20532	C - 7		D - 4	98507-05025	D - 15
90387-103X9	D - 2	90467-12052	B - 2	91401-25015	E - 3	93306-30210	B - 4	95027-08060	C - 12	98507-06010	B - 15
90387-1501X	D - 11		B - 10		E - 4	93306-37804	B - 4	95307-06600	C - 5	98507-06014	D - 8
90387-1606R	C - 15	90467-12053	E - 4	91401-25030	D - 13	93306-37807	B - 4	95307-08600	E - 4	98507-06020	E - 11
90387-164N2	D - 2	90467-15012	B - 10	91690-60016	D - 14	93310-212R6	C - 4	95337-08600	B - 3	98507-06030	E - 11
90387-166X1	C - 15	90468-15064	B - 13	91701-06022	E - 3	93310-225N0	C - 4	95607-05100	B - 10	98507-06035	B - 9
90387-2001U	D - 13	90480-08608	D - 13	91808-16023	B - 2	93310-632D7	B - 4	95607-06100	D - 15		D - 15
90387-2001V	D - 13	90480-12320	C - 14	92017-06016	C - 3	93315-11206	C - 4		E - 10	98580-04016	B - 12
90401-08133	B - 9	90480-13018	C - 14	92017-08016	E - 4		C - 5	95607-06200	C - 13	98706-04012	E - 2
90401-10096	B - 9	90480-13428	B - 11	92901-04100	B - 12	93315-22251	C - 15	95607-08200	C - 11	98907-06010	B - 14
90401-10159	E - 2	90480-14102	C - 13	92901-04600	E - 8	93315-32052	D - 2		D - 13	98980-06010	B - 14
	E - 4	90480-18549	D - 8	92907-05100	E - 10	93315-32053	C - 15	95607-10200	C - 11	99001-09600	C - 10

NUMERICAL INDEX

PARTNO.	GRID NO.	PARTNO.	GRID NO.	PARTNO.	GRID NO.	PARTNO.	GRID NO.	PARTNO.	GRID NO.
99009-11400	B - 9								
99009-17400	C - 4								
99009-20500	C - 5								
99241--00080	C - 13								
99530-10114	B - 15								
	C - 2								
99530-14016	B - 3								
	B - 15								

M4