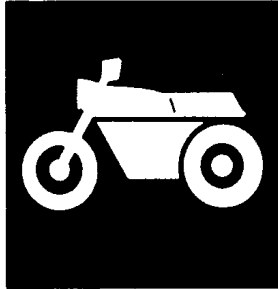


YAMAHA



**PARTS
CATALOGUE**

TW200L (5FY2) U49

TW200LC (5FY3) CALIFORNIA

TW200L (5FY4) CANADA

TW200L (3XT9) AUSTRALIA

YAMAHA
GENUINE
Parts & Accessories

195FY-100E1

A2



A3

FOREWORD

This Parts Catalogue is related to the parts for the model(s) in the below frame. When you are ordering replacement parts, please refer to this Parts Catalogue and quote both part numbers and part names correctly.

TW200L(5FY2/5FY4/3XT9), TW200LC(5FY3)

1. Modifications or additions which have been made after issue of the Parts Catalogue will be announced in the Yamaha Parts News.
It is advisable that you make necessary corrections to the Parts Catalogue according to the Yamaha Parts News.

2. Abbreviations
The Following abbreviations are used in this Parts Catalogue.

"UR" Use specified parts number.
 "UN" Use as many as needed.
 "AP" Alternate Parts
 "LM" Local Made (Parts need to be ordered locally)
 "F#" Frame No. (Applicable machine No.)

3. Parts, which are to be supplied in an assembly, are listed with a dot(.) in front of the part name as shown below.

EXAMPLE
 CARBURETOR ASSY
 .JET, PILOT
 .NOZZLE, MAIN

4. Number of component for assembly
The numeral appearing to the right of each component part indicates the quantity of parts for each assembly unit.

EXAMPLE

PART NO.	DESCRIPTION	Q'TY	REMARKS
2F5-83310-60	FRONT FLASHER LIGHT ASSY	2	
115-83311-60	.BULB (6V-18W)	1	
1M1-83309-60	.REFLECTOR	1	

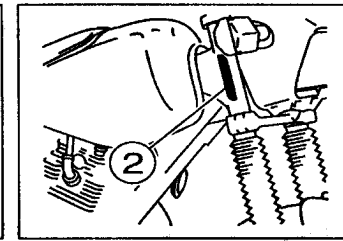
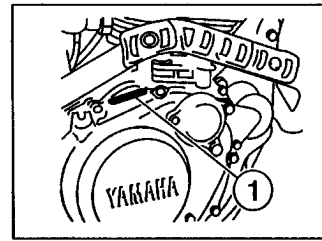
5. Applicable colors of graphics are represented in the "REMARKS" as shown below.

PART NO.	DESCRIPTION	Q'TY	REMARKS
2N4-24110-00-X5	.FUEL TANK COMP.	2	MXR
3J1-24240-10	.GRAPHIC, FUEL TANK	1	for MXR

6. Applicable Serial No.

① Engine Serial No.

② Frame Serial No.

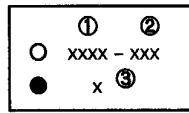


7. Note that the illustrations for reference in finding parts numbers, not to be used for assembling. When assembling, please use the applicable service manual.
8. The asterisk (*) before a reference number indicates modification items after the first edition.

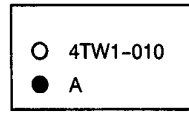
MODEL LABEL

(1) A label called "Model Label" is affixed in the location as indicated in (3) below.
 When using this parts catalogue, please be sure to cross-refer the "model code - production code No." in the catalogue to the "model code - production code No." indicated on the Model Label affixed onto the product concerned.

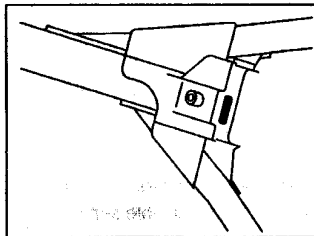
(2) "Model Label" Indication



① Model Type Code
 ② Production Code No.
 ③ Colouring Type



(3) Model Label Affixing Location



(4) Model Code - Production Code Number of Model Listed in This Parts Catalog

Model Code	Production Code No.	Country (destination)	Model Code	Production Code No.	Country (destination)
5FY2	010	U49			
5FY3	010	CALIFORNIA			
5FY4	010	CANADA			
3XT9	010	AUSTRALIA			

(5) Colouring Information

Model Code	Colouring type code	Colour code	Colour Name	Abbreviation
5FY2	A	0206	PURPLISH WHITE SOLID 1	PWS1
5FY3				
5FY4				
3XT9				

CONTENTS

ENGINE

CYLINDER HEAD	B2
CYLINDER	B3
CRANKSHAFT. PISTON	B4
VALVE	B6
CAMSHAFT. CHAIN	B7
OIL PUMP	B8
INTAKE	B9
CARBURETOR	B10
EXHAUST	B12
CRANKCASE	B13
CRANKCASE COVER 1	B14
STARTER	B15
CLUTCH	C3
TRANSMISSION	C5
SHIFT CAM. FORK	C7
SHIFT SHAFT	C8

CHASSIS

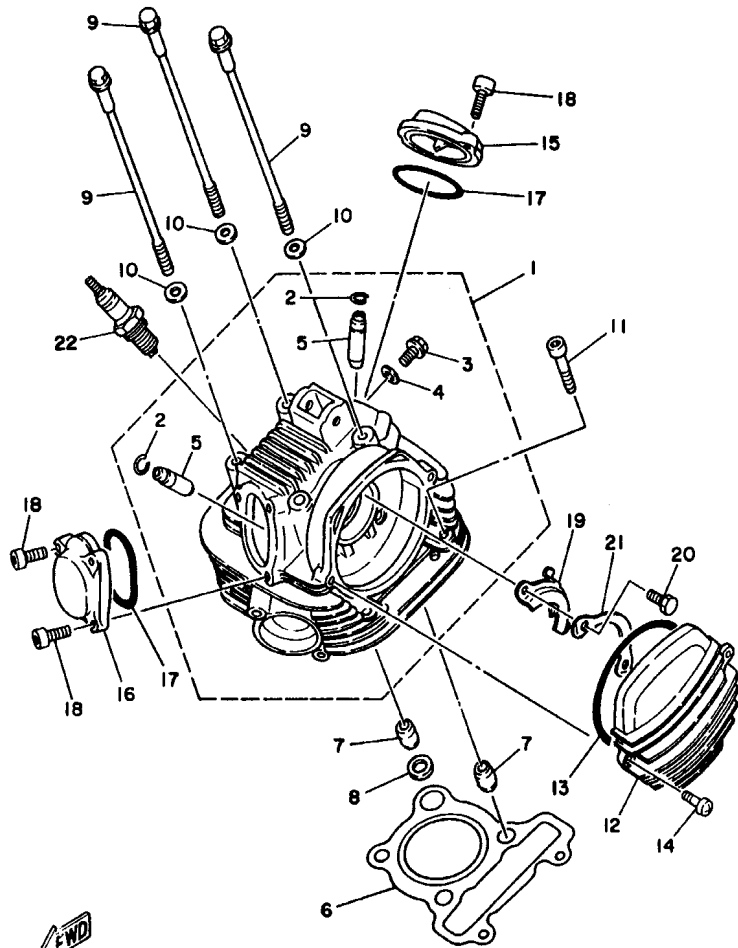
FRAME	C9
FENDER	C11
SIDE COVER	C12
REAR ARM	C13
REAR SUSPENSION	C14
STEERING	C15
FRONT FORK	D2
FUEL TANK	D4
SEAT	D6
FRONT WHEEL	D7
REAR WHEEL	D9

STEERING HANDLE. CABLE	D11
STAND. FOOTREST	D12
COWLING 1	D14
GENERATOR	D15
STARTING MOTOR	E2
FLASHER LIGHT	E3
FLASHER LIGHT 2	E4
FLASHER RIGHT 3	E5
METER	E6
HEADLIGHT	E7
TAILLIGHT	E8
TAILLIGHT 2	E9
HANDLE SWITCH. LEVER	E10
HANDLE SWITCH. LEVER 2	E11
ELECTRICAL 1	E12

INDEX

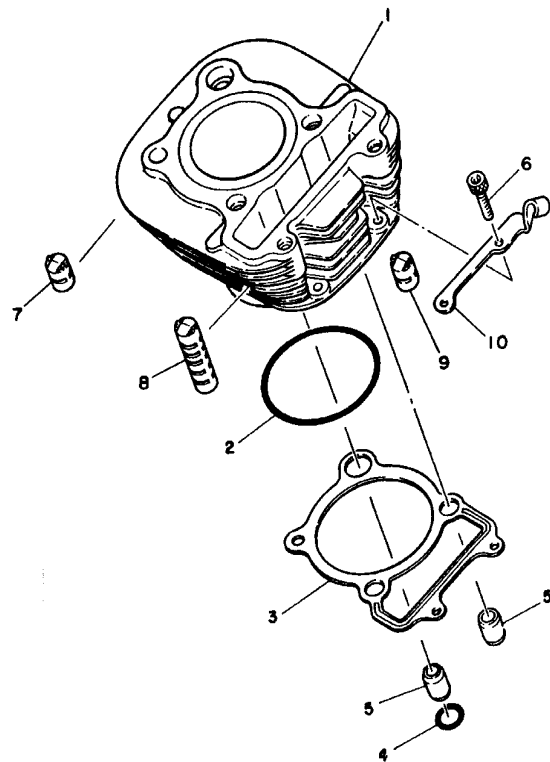
NUMERICAL INDEX	M1
-----------------------	----

FIG. 1 CYLINDER HEAD



3AWB110-2010

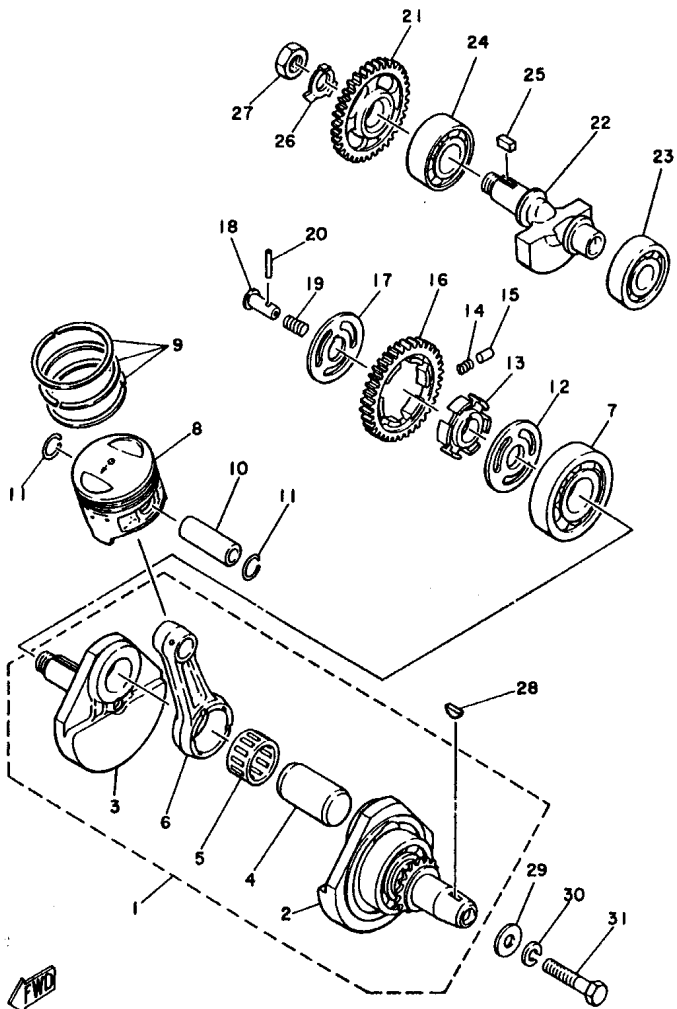
REF. NO.	PART NO.	DESCRIPTION	5FY2	5FY3	5FY4	3XT9	REMARKS
1	15A-11110-03	CYLINDER HEAD ASSY	1	1	1	1	
2	93440-10085	.CIRCLIP	2	2	2	2	
3	90153-06029	.SCREW, HEXAGON	1	1	1	1	
4	90430-06014	.GASKET	1	1	1	1	
5	5H0-11133-11	.GUIDE, INTAKE VALVE	2	2	2	2	
6	1NU-11181-00	GASKET, CYLINDER HEAD 1	1	1	1	1	
7	99530-14016	PIN, DOWEL	3	3	3	3	
8	90430-14131	GASKET	1	1	1	1	
9	90105-08195	BOLT, WASHER BASED	4	4	4	4	
10	90201-08609	WASHER, PLATE	4	4	4	4	
11	91317-08045	BOLT	2	2	2	2	
12	15A-11185-00	COVER, CYLINDER HEAD SIDE 1	1	1	1	1	
13	93211-05471	O-RING	1	1	1	1	
14	98507-06020	SCREW, PAN HEAD	2	2	2	2	
15	15A-11186-00	COVER, CYLINDER HEAD SIDE 2	1	1	1	1	
16	15A-11187-00	COVER, CYLINDER HEAD SIDE 3	1	1	1	1	
17	93210-57634	O-RING	2	2	2	2	
18	91317-06018	BOLT	5	5	5	5	
19	5H0-1111F-00	PLATE	1	1	1	1	
20	97007-06012	BOLT	2	2	2	2	
21	90215-06184	WASHER, LOCK	1	1	1	1	
22	94701-00157	PLUG, SPARK (NGK D8EA)	1	1			UR
	94701-00181	PLUG, SPARK (ND X24ES-U)	1	1			UR
	94701-00222	PLUG, SPARK (ND X24ESR-U)			1	1	UR
	94701-00333	PLUG, SPARK (NGK DR8EA)			1	1	UR




 54G100-6020

FIG. 2 CYLINDER

REF. NO.	PART NO.	DESCRIPTION	5FY2	5FY3	5FY4	3XT9	REMARKS
1	21V-11310-00	CYLINDER	1	1	1	1	
2	93210-72529	O-RING	1	1	1	1	
3	4BD-11351-00	GASKET, CYLINDER	1	1	1	1	
4	93210-13361	O-RING	1	1	1	1	
5	99530-14016	PIN, DOWEL	2	2	2	2	
6	91317-06030	BOLT	2	2	2	2	
7	15A-11162-00	ABSORBER 2	2	2	2	2	
8	5H0-11162-00	ABSORBER 2	2	2	2	2	
9	15A-11161-01	ABSORBER 1	1	1	1	1	
10	15A-15441-00	HOLDER, CLUTCH CABLE	1	1	1	1	

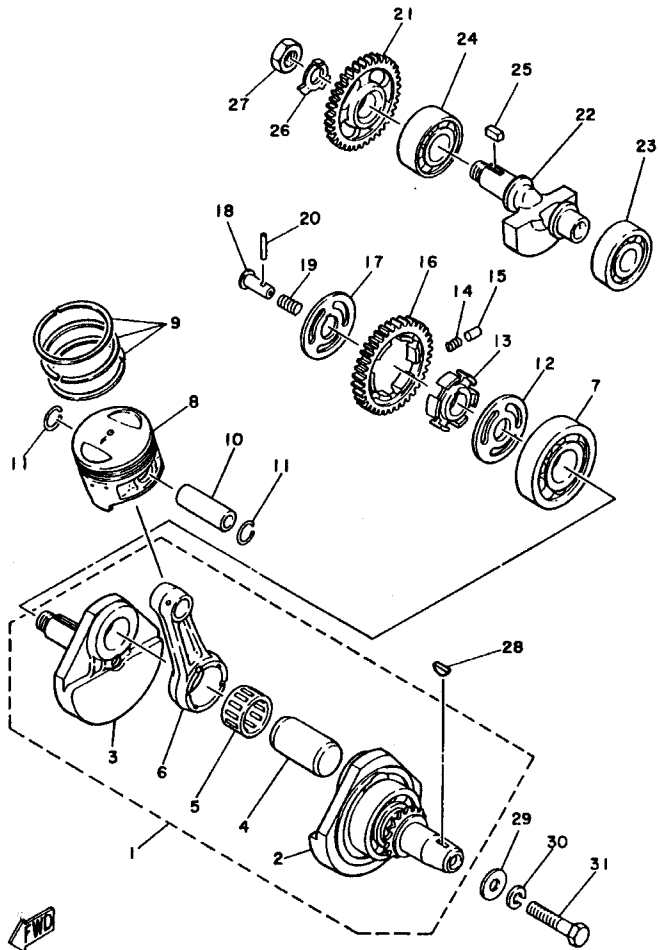


15X171-2030

FIG. 3 CRANKSHAFT. PISTON

REF. NO.	PART NO.	DESCRIPTION	SFY2	SFY3	SFY4	3XT9	REMARKS
1	5H0-11400-01	CRANKSHAFT ASSY	1	1	1	1	
2	5H0-11412-09	.CRANK 1	1	1	1	1	
3	5H0-11422-00	.CRANK 2	1	1	1	1	
4	5H0-11681-00	.PIN, CRANK 1	1	1	1	1	
5	93310-530J3	.BEARING	1	1	1	1	
6	15A-11651-00	.ROD, CONNECTING	1	1	1	1	
7	93306-30611	BEARING	1	1	1	1	
8	36X-11631-00-A0	PISTON (STD)	1	1	1	1	
	36X-11636-00	PISTON (0.50MM O/S)	1	1	1	1	AP
	36X-11638-00	PISTON (1.00MM O/S)	1	1	1	1	AP
9	15A-11603-00	PISTON RING SET (STD)	1	1	1	1	
	15A-11605-00	PISTON RING SET (0.50MM O/S)	1	1	1	1	AP
	15A-11607-00	PISTON RING SET (1.00MM O/S)	1	1	1	1	AP
10	15A-11633-00	PIN, PISTON	1	1	1	1	
11	93450-17044	CIRCLIP	2	2	2	2	
12	90201-201E4	WASHER, PLATE	1	1	1	1	
13	5H0-11496-00	BOSS, BUFFER	1	1	1	1	
14	90501-21133	SPRING, COMPRESSION	6	6	6	6	
15	93605-10090	PIN, DOWEL	3	3	3	3	
16	5H0-11536-00	GEAR, DRIVE (38T)	1	1	1	1	
17	90214-20023	WASHER, CLAW	1	1	1	1	
18	90240-07083	PIN, CLEVIS	1	1	1	1	
19	90501-07629	SPRING, COMPRESSION	1	1	1	1	
20	93602-13177	PIN, DOWEL	1	1	1	1	
21	5H0-11531-00	GEAR, BALANCE WEIGHT (38T)	1	1	1	1	
22	15A-11454-00	WEIGHT 1	1	1	1	1	
23	93306-30427	BEARING	1	1	1	1	

B4



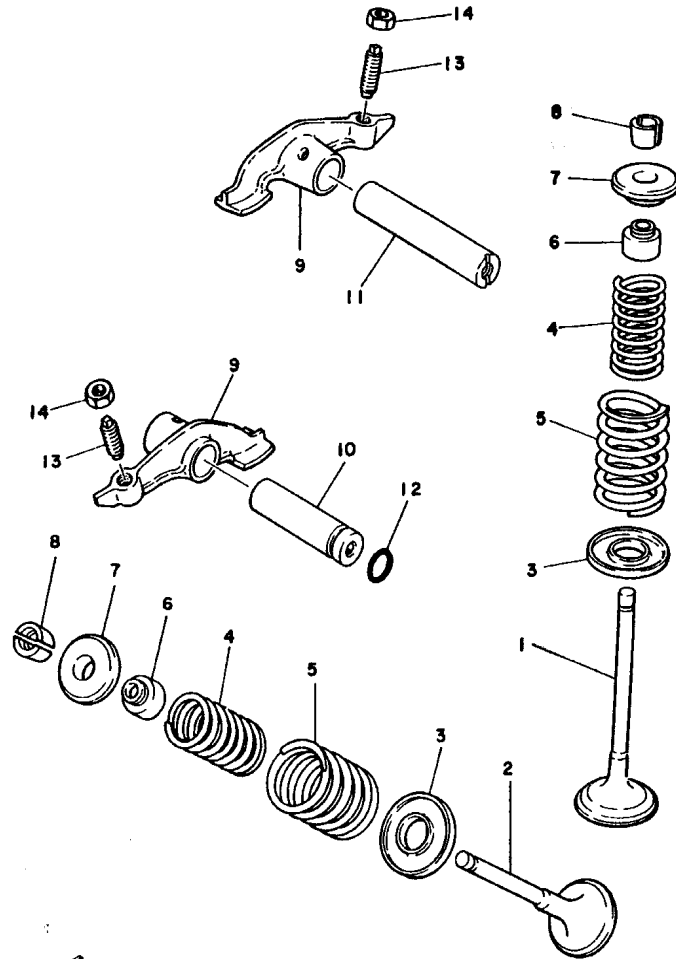
FWD
15X171-2030

FIG. 3 CRANKSHAFT. PISTON

REF. NO.	PART NO.	DESCRIPTION	5FY2	5FY3	5FY4	3XT9	REMARKS
24	93306-30427	BEARING	1	1	1	1	
25	90282-05013	KEY, STRAIGHT	1	1	1	1	
26	90215-14205	WASHER, LOCK	1	1	1	1	
27	90170-14284	NUT	1	1	1	1	
28	90280-05013	KEY, WOODRUFF	1	1	1	1	
29	90201-10508	WASHER, PLATE	1	1	1	1	
30	92907-10100	WASHER, SPRING	1	1	1	1	
31	90101-10188	BOLT	1	1	1	1	

B5

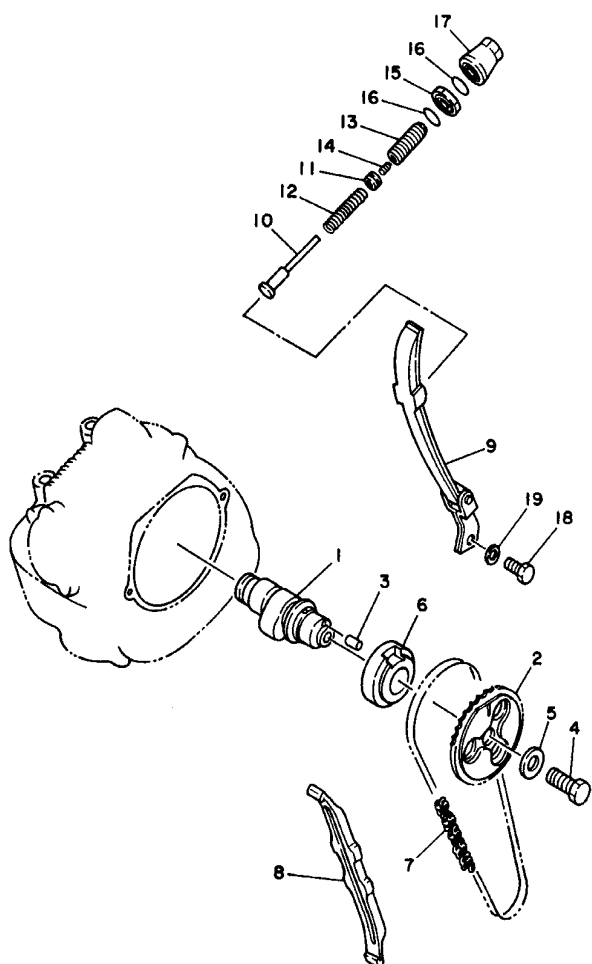
FIG. 4 VALVE




5H0110-0040

REF. NO.	PART NO.	DESCRIPTION	5FY2	5FY3	5FY4	3XT9	REMARKS
1	5H0-12111-01	VALVE, INTAKE	1	1	1	1	
2	5H0-12121-01	VALVE, EXHAUST	1	1	1	1	
3	4G0-12116-01	SEAT, VALVE SPRING	2	2	2	2	
4	11H-12113-00	SPRING, VALVE INNER	2	2	2	2	
5	11H-12114-00	SPRING, VALVE OUTER	2	2	2	2	
6	5H0-12119-00	SEAL, VALVE STEM	2	2	2	2	
7	4G0-12117-00	RETAINER, VALVE SPRING	2	2	2	2	
8	4G0-12118-00	COTTER, VALVE	4	4	4	4	
9	36X-12151-00	ARM, VALVE ROCKER	2	2	2	2	
10	5H0-12156-00	SHAFT, ROCKER 2	1	1	1	1	
11	5H0-12146-00	SHAFT, ROCKER	1	1	1	1	
12	93210-09165	O-RING	1	1	1	1	
13	2NX-12159-00	SCREW, VALVE ADJUSTING	2	2	2	2	
14	90170-06128	NUT	2	2	2	2	

B6



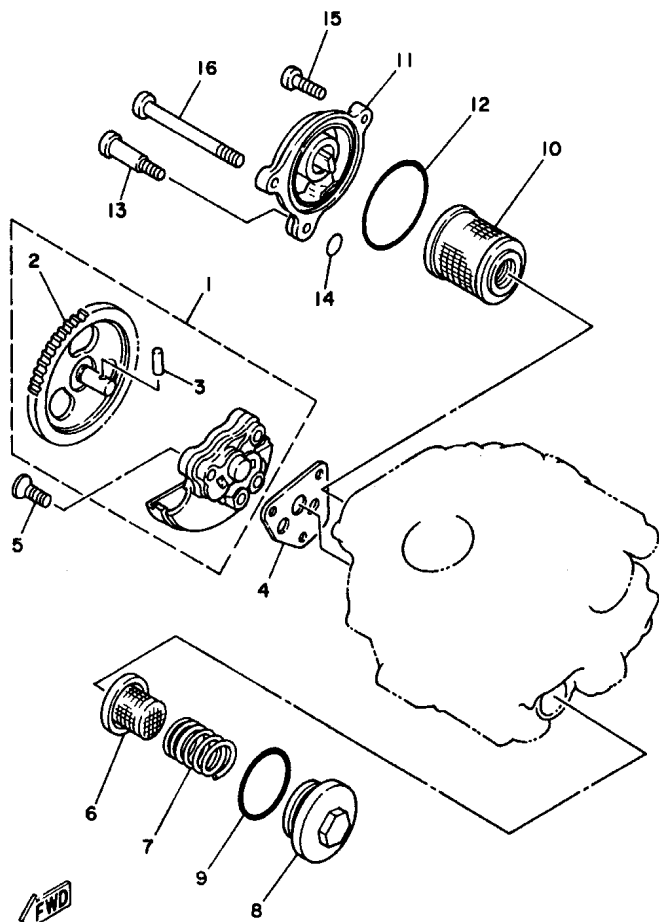
2JY110-7050

FIG. 5 CAMSHAFT. CHAIN

REF. NO.	PART NO.	DESCRIPTION	5FY2	5FY3	5FY4	3XT9	REMARKS
1	36X-12171-00	CAMSHAFT 1	1	1	1	1	
2	1KH-12176-00	SPROCKET, CAM CHAIN	1	1	1	1	
3	93604-10011	PIN, DOWEL	1	1	1	1	
4	90101-10303	BOLT	1	1	1	1	
5	90201-10591	WASHER, PLATE	1	1	1	1	
6	90387-255F3	COLLAR	1	1	1	1	
7	94580-41104	CHAIN	1	1	1	1	
8	5H0-12231-00	GUIDE, STOPPER 1	1	1	1	1	
9	5N0-12241-00	GUIDE, STOPPER 2	1	1	1	1	
10	25A-12217-00	ROD, CHAIN TENSIONER	1	1	1	1	
11	3Y1-12232-00	DAMPER	1	1	1	1	
12	90501-10587	SPRING, COMPRESSION	1	1	1	1	
13	90149-14182	SCREW	1	1	1	1	
14	90501-22721	SPRING, COMPRESSION	1	1	1	1	
15	90179-14298	NUT	1	1	1	1	
16	93210-16325	O-RING	2	2	2	2	
17	3Y1-12212-00	CASE, CHAIN TENSIONER	1	1	1	1	
18	97027-06016	BOLT	2	2	2	2	
19	92907-06600	WASHER, PLATE	2	2	2	2	

B7

FIG. 6 OIL PUMP



2JY110-7060

REF. NO.	PART NO.	DESCRIPTION	5FY2	5FY3	5FY4	3XT9	REMARKS
1	5H0-13300-02	OIL PUMP ASSY	1	1	1	1	
2	5H0-13326-01	.GEAR, PUMP DRIVEN 2	1	1	1	1	
3	93603-12030	.PIN, DOWEL	1	1	1	1	
4	4BE-13329-00	GASKET, PUMP COVER	1	1	1	1	
5	98707-06030	SCREW, FLAT HEAD	3	3	3	3	
6	51Y-13411-00	STRAINER, OIL	1	1	1	1	
7	90501-18576	SPRING, COMPRESSION	1	1	1	1	
8	5H0-15351-00	PLUG, DRAIN	1	1	1	1	
9	93210-347A1	O-RING	1	1	1	1	
10	5H0-13440-00	ELEMENT ASSY, OIL CLEANER	1	1	1	1	
11	3AW-13447-00	COVER, OIL ELEMENT	1	1	1		
	15A-13447-00	COVER, OIL ELEMENT				1	
12	93210-54175	O-RING	1	1	1	1	
13	90109-06419	BOLT	1	1	1	1	
14	93210-07135	O-RING	1	1	1	1	
15	98507-06025	SCREW, PAN HEAD	1	1	1	1	
16	98507-06075	SCREW, PAN HEAD	1	1	1	1	

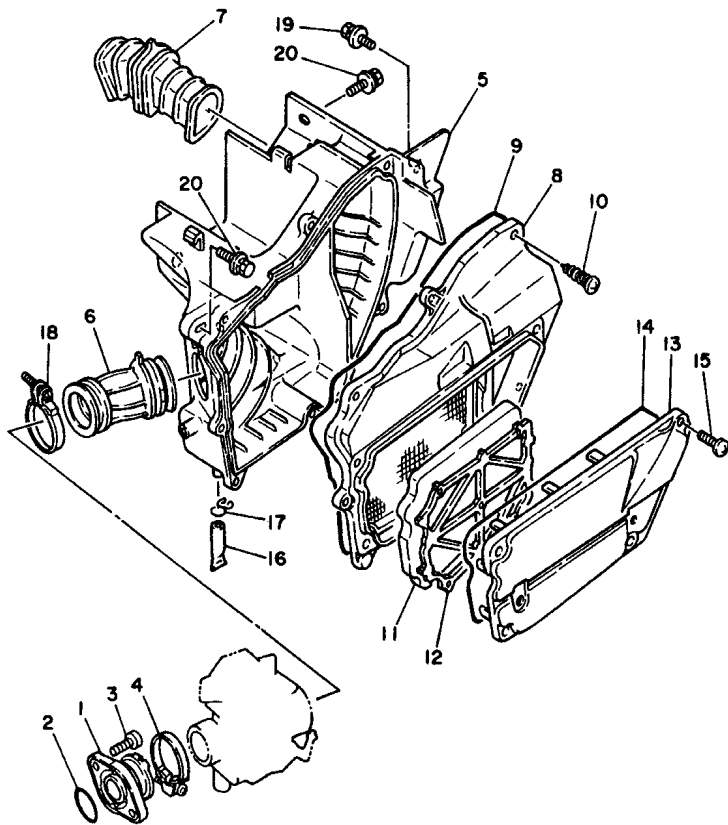
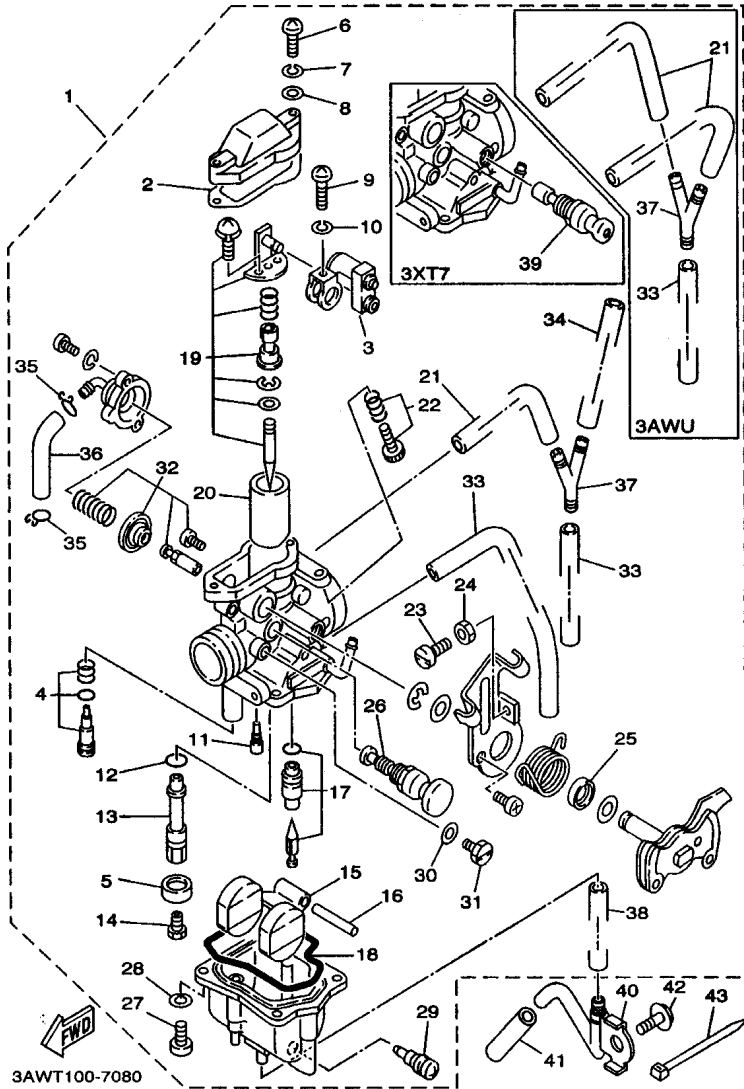


FIG. 7 INTAKE

REF. NO.	PART NO.	DESCRIPTION	5FY2	5FY3	5FY4	3XT9	REMARKS
1	2JX-13586-00	JOINT, CARBURETOR 1	1	1	1	1	
2	93210-35537	O-RING	1	1	1	1	
3	91317-06020	BOLT	2	2	2	2	
4	1HX-13575-00	BAND	1	1	1	1	
5	2JX-14411-00	CASE, AIR CLEANER 1	1	1	1	1	
6	2JX-14453-00	JOINT, AIR CLEANER 1	1	1	1	1	
7	2JX-14437-00	DUCT	1	1	1		
	2JL-14437-00	DUCT				1	
8	2JX-14412-00	CAP, CLEANER CASE 1	1	1	1	1	
9	2JX-14452-00	SEAL	1	1	1	1	
10	97707-50520	SCREW, TAPPING	7	7	7	7	
11	2JX-14451-00	ELEMENT, AIR CLEANER	1	1	1	1	
12	2JX-14458-00	GUIDE	1	1	1	1	
13	2JX-14422-00	CAP, CLEANER CASE 2	1	1	1	1	
14	5U8-14457-00	SEAL	1	1	1	1	
15	90154-05005	SCREW, BINDING	4	4	4	4	
16	34X-1443E-00	PIPE, DRAIN	1	1	1	1	
17	90467-11106	CLIP	1	1	1	1	
18	90460-46206	CLAMP, HOSE	1	1	1	1	
19	90119-06056	BOLT, WITH WASHER	1	1	1	1	
20	90119-06063	BOLT, WITH WASHER	2	2	2	2	


 2JY110-7070

FIG. 8 CARBURETOR



REF. NO.	PART NO.	DESCRIPTION	5FY2	5FY3	5FY4	3XT9	REMARKS
1	2JY-14301-01	CARBURETOR ASSY 1	1		1		
	2JX-14301-01	CARBURETOR ASSY 1		1			
	2JL-14301-01	CARBURETOR ASSY 1				1	
2	30X-14198-00	.GASKET	1	1	1	1	
3	1LN-14291-00	.BRACKET 1	1	1	1	1	
4	30X-14105-00	.PILOT SCREW SET	1	1	1	1	
5	1KH-14153-00	.WASHER, MAIN JET	1	1	1	1	
6	98501-04016	.SCREW, PAN HEAD	2	2	2	2	
7	92901-04100	.WASHER, SPRING	2	2	2	2	
8	92901-04600	.WASHER, PLATE	2	2	2	2	
9	98580-04015	.SCREW, PAN HEAD	1	1	1	1	
10	92990-04100	.WASHER, SPRING	1	1	1	1	
11	43F-14342-20	.JET, PILOT (# 40)	1	1	1		
	43F-14342-19	.JET, PILOT (# 38)				1	
12	360-24512-00	.GASKET	1	1	1	1	
13	2JX-14341-00	.NOZZLE, MAIN	1	1	1		
	2JL-14341-00	.NOZZLE, MAIN				1	
14	288-14343-57	.JET, MAIN (#114)	1	1	1		
	288-14343-58	.JET, MAIN (#116)				1	
15	2JN-14385-00	.FLOAT	1	1	1	1	
16	689-14386-00	.PIN, FLOAT	1	1	1	1	
17	2JX-14107-00	.NEEDLE VALVE SET	1	1	1	1	
18	30X-14384-00	.GASKET, FLOAT CHAMBER	1	1	1	1	
19	2JX-1490J-00	.NEEDLE SET	1	1	1		
	2JL-1490J-00	.NEEDLE SET				1	
20	2JX-14312-35	.VALVE, THROTTLE 1	1	1	1		
	2JX-14312-28	.VALVE, THROTTLE 1				1	

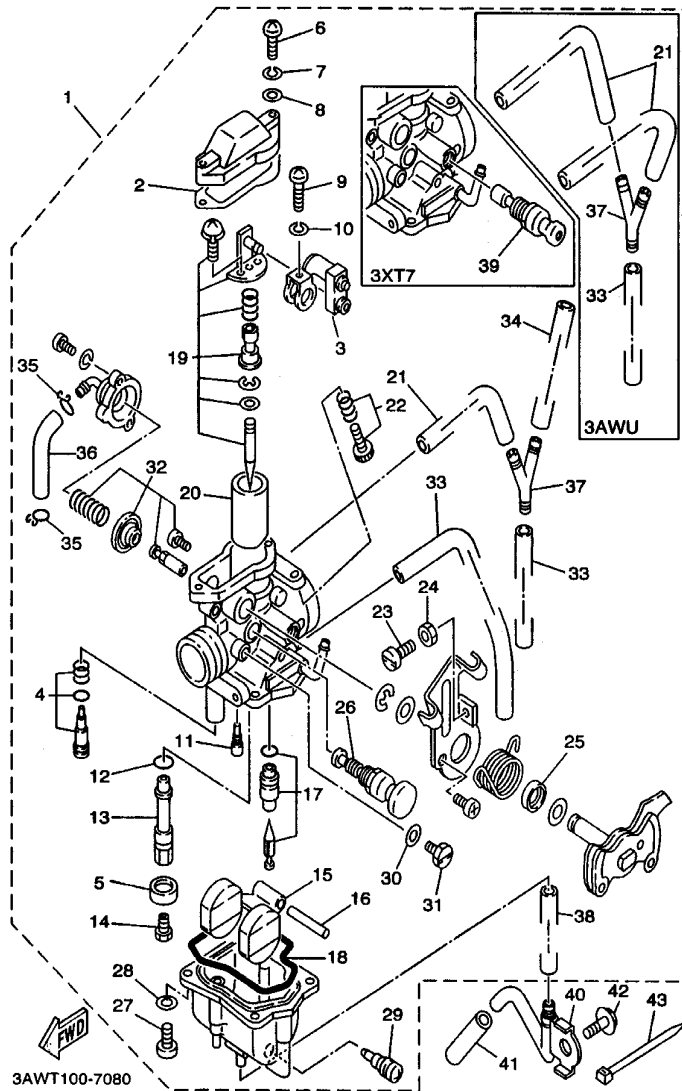
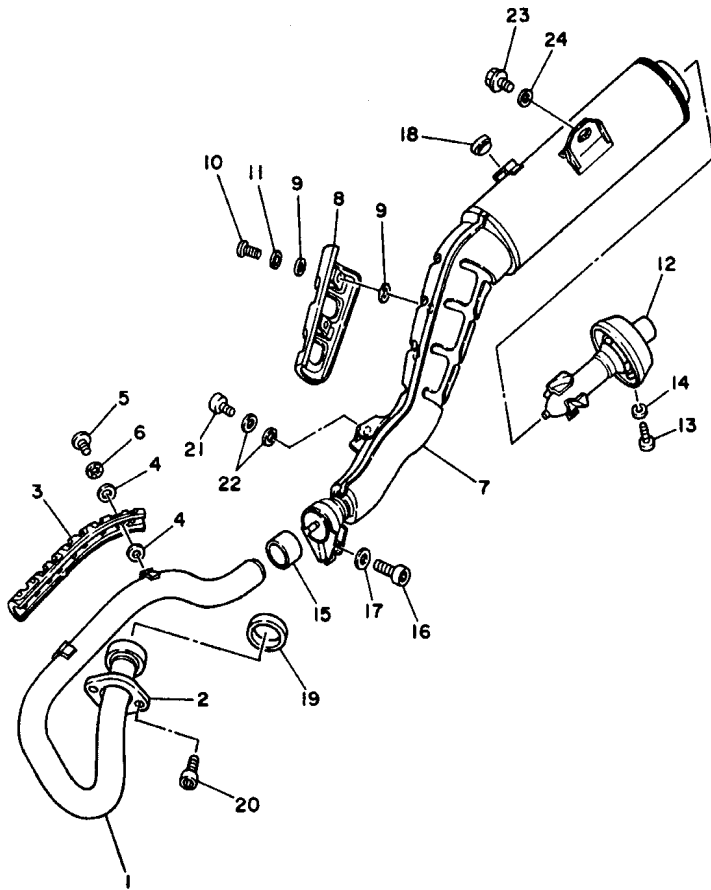


FIG. 8 CARBURETOR

REF. NO.	PART NO.	DESCRIPTION	5FY2	5FY3	5FY4	3XT9	REMARKS	
21	54G-14348-01	.PIPE 1	1			1	1	
	1WN-14197-00	.PIPE		2				
22	3WP-14103-00	.THROTTLE SCREW SET	1	1	1	1		
23	5Y1-14216-00	.SCREW	1	1	1	1		
24	30X-14358-00	.NUT	1	1	1	1		
25	5Y1-14572-00	.PLATE, STAY	1	1	1	1		
26	51Y-14371-01	.PLUNGER, STARTER	1	1	1	1		
27	97801-04012	.SCREW, PAN HEAD	4	4	4	4		
28	92901-04100	.WASHER, SPRING	4	4	4	4		
29	14T-14323-00	.SCREW, AIR ADJUSTING	1	1	1	1		
30	5H0-14126-00	.GASKET	1	1	1	1		
31	5H0-14991-00	.SCREW	1	1	1	1		
32	5Y1-1490A-00	.DIAPHRAGM SET, 1	1	1	1	1		
33	34K-14197-00	.PIPE	2		2	2		
	56R-14196-00	.PIPE		1				
34	5Y1-14197-00	.PIPE	1		1	1		
35	2JX-14159-00	.CLIP	2	2	2	2		
36	2JX-14149-00	.PIPE	1	1	1	1		
37	90413-05008	.WAY 3	1	1	1	1		
38	2JX-14396-00	.PIPE	1	1	1	1		
39	2JL-14371-00	.PLUNGER, STARTER					1	
40	2JX-14193-00	PIPE		1				
41	2JX-14148-00	PIPE		1				
42	95807-08012	BOLT, FLANGE		1				
43	90464-20064	CLAMP		1				

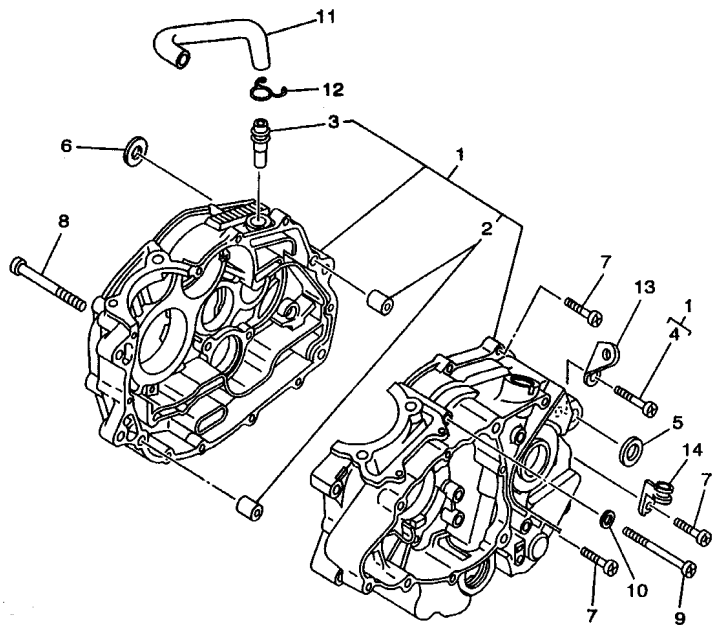


2JY110-7090

FIG. 9 EXHAUST

REF. NO.	PART NO.	DESCRIPTION	5FY2	5FY3	5FY4	3XT9	REMARKS
1	2JX-14611-01	PIPE, EXHAUST 1	1	1	1	1	
2	5H0-14612-00	NUT, RING	1	1	1	1	
3	54G-14628-01	PROTECTOR, EXHAUST PIPE	1	1	1	1	
4	4BD-14766-00	WASHER, PROTECTOR	4	4	4	4	
5	98907-06010	SCREW, BIND	2	2	2	2	
6	90206-06090	WASHER, WAVE	2	2	2	2	
7	2JX-14711-00	MUFFLER 1	1	1	1		
	2JL-14711-01	MUFFLER 1				1	
8	2JX-14728-00	PROTECTOR, MUFFLER 2	1	1	1	1	
9	90202-05191	WASHER, PLATE	4	4	4	4	
10	98907-06010	SCREW, BIND	2	2	2	2	
11	90206-06090	WASHER, WAVE	2	2	2	2	
12	1RH-14752-01	PIPE, OUTLET	1	1	1		
13	98507-06010	SCREW, PAN HEAD	1	1	1		
14	92907-06600	WASHER, PLATE	1	1	1		
15	3YF-14714-00	GASKET, MUFFLER	1	1	1	1	
16	91317-08025	BOLT	1	1	1	1	
17	92907-08600	WASHER, PLATE	1	1	1	1	
18	22W-24181-00	DAMPER, LOCATING 1	1	1	1	1	
19	4BE-14613-00	GASKET, EXHAUST PIPE	1	1	1	1	
20	91317-06020	BOLT	2	2	2	2	
21	91317-08016	BOLT	1	1	1	1	
22	90201-08326	WASHER, PLATE	2	2	2	2	
23	95817-08016	BOLT, FLANGE	1	1	1	1	
24	90201-08326	WASHER, PLATE	1	1	1	1	

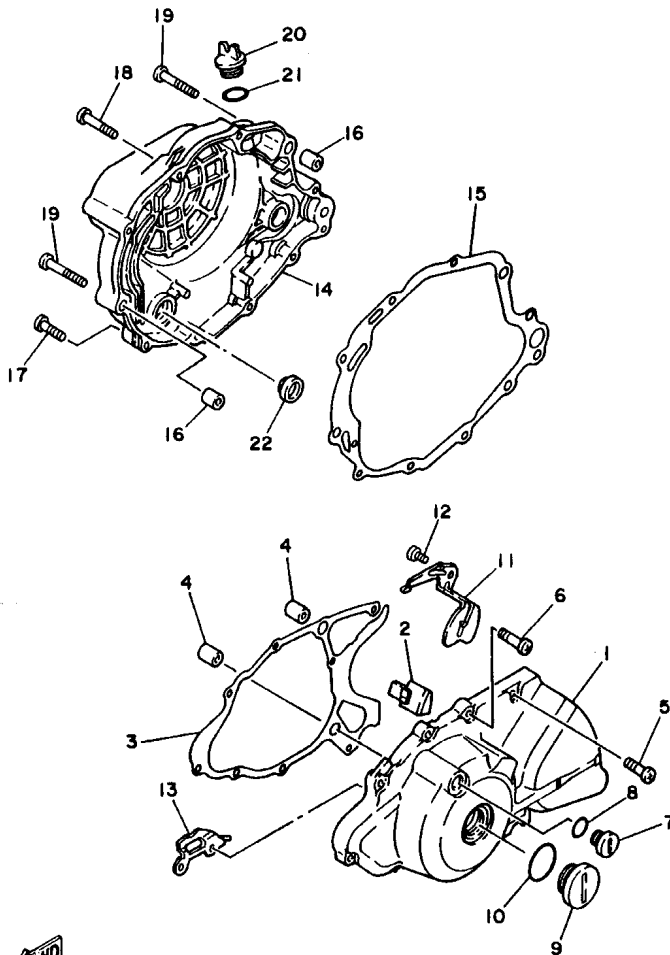
FIG. 10 CRANKCASE



REF. NO.	PART NO.	DESCRIPTION	SFY2	SFY3	SFY4	3XT9	REMARKS
1	3AW-15100-02	CRANKCASE ASSY	1	1	1		
	1RL-15100-03	CRANKCASE ASSY				1	
2	99530-12016	.PIN, DOWEL	2	2	2	2	
3	371-11167-01	.PIPE, BREATHER 2	1	1	1	1	
4	98507-06040	.SCREW, PAN HEAD	2	2	2	2	
5	90387-125F1	COLLAR	1	1	1	1	
6	90387-125F1	COLLAR	1	1	1	1	
7	98507-06030	SCREW, PAN HEAD	7	7	7	7	
8	98507-06090	SCREW, PAN HEAD	2	2	2	2	
9	98507-06085	SCREW, PAN HEAD	1	1	1	1	
10	90430-06014	GASKET	1	1	1	1	
11	3Y1-11166-00	PIPE, BREATHER 1	1	1	1	1	
12	90467-14015	CLIP	2	2	2	2	
13	90465-08200	CLAMP	1	1	1	1	
14	90462-06080	CLAMP	1	1	1	1	

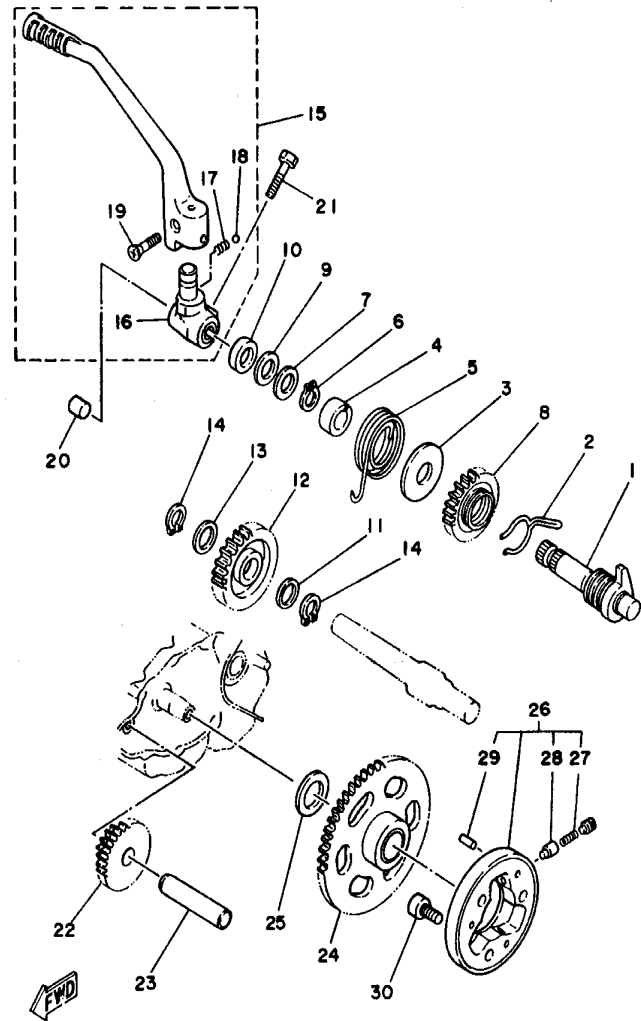
 3AWW100-8100

FIG. 11 CRANKCASE COVER 1




2YG110-8110

REF. NO.	PART NO.	DESCRIPTION	5FY2	5FY3	5FY4	3XT9	REMARKS
1	2YG-15410-00	CRANKCASE COVER ASSY 1				1	
	3AW-15410-00	CRANKCASE COVER ASSY 1	1	1	1		
2	2JX-15377-00	GUIDE, INLET	1	1	1	1	
3	3AW-15451-03	GASKET, CRANKCASE COVER 1	1	1	1	1	
4	99530-12016	PIN, DOWEL	2	2	2	2	
5	98507-06025	SCREW, PAN HEAD	8	8	8	8	
6	98507-06035	SCREW, PAN HEAD	2	2	2	2	
7	90340-14128	PLUG, STRAIGHT SCREW	1	1	1		
	90340-14117	PLUG, STRAIGHT SCREW				1	
8	93210-14369	O-RING	1	1	1	1	
9	90340-32123	PLUG, STRAIGHT SCREW	1	1	1		
	90340-32080	PLUG, STRAIGHT SCREW				1	
10	93210-32172	O-RING	1	1	1	1	
11	90465-08300	CLAMP	1	1	1	1	
12	98507-06010	SCREW, PAN HEAD	1	1	1	1	
13	90465-16187	CLAMP	1	1	1	1	
14	3AW-15431-01	COVER, CRANKCASE 3	1	1	1		
	15A-15431-01	COVER, CRANKCASE 3				1	
15	4BE-15462-00	GASKET, CRANKCASE COVER 3	1	1	1	1	
16	99530-12016	PIN, DOWEL	2	2	2	2	
17	98507-06025	SCREW, PAN HEAD	5	5	5	5	
18	98507-06035	SCREW, PAN HEAD	3	3	3	3	
19	98507-06045	SCREW, PAN HEAD	2	2	2	2	
20	3Y1-15363-00	PLUG, OIL	1	1	1	1	
21	93210-19123	O-RING	1	1	1	1	
22	3Y1-15361-00	GAUGE, LEVEL	1	1	1	1	



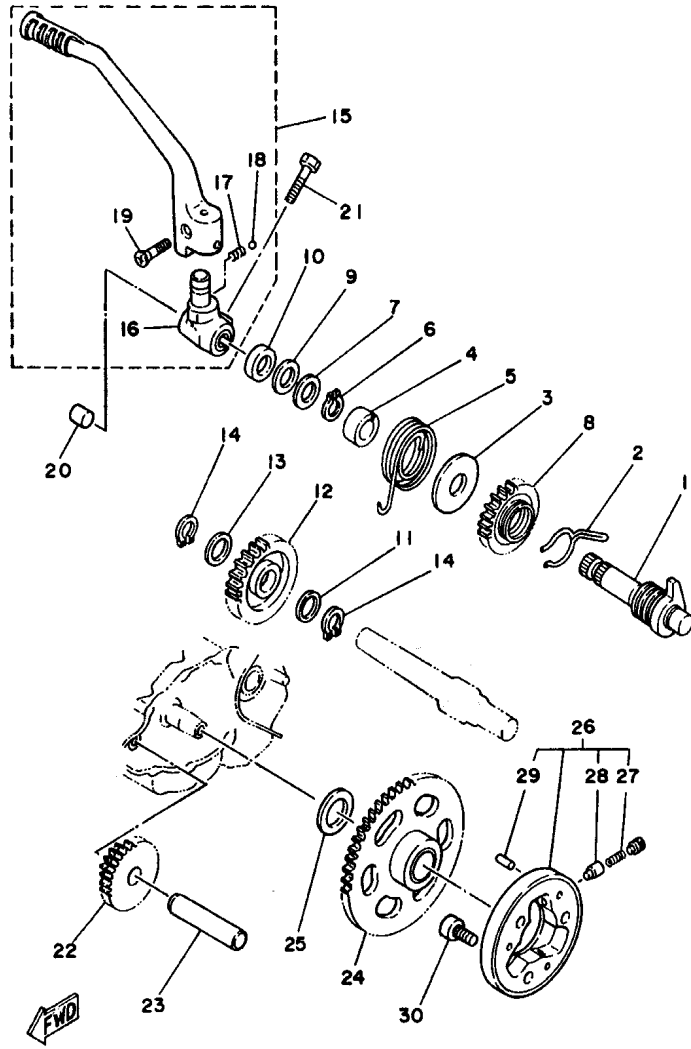
3AW7171-0120

FIG. 12 STARTER

REF. NO.	PART NO.	DESCRIPTION	BFY2	BFY3	BFY4	9XT9	REMARKS
1	15A-15660-01	KICK AXLE ASSY	1	1	1	1	
2	90468-26122	CLIP	1	1	1	1	
3	401-15676-00	COVER, SPRING	1	1	1	1	
4	15A-15666-00	SPACER	1	1	1	1	
5	90508-26538	SPRING, TORSION	1	1	1	1	
6	99009-17400	CIRCLIP	1	1	1	1	
7	90201-175F6	WASHER, PLATE	1	1	1	1	
8	36X-15641-00	GEAR, KICK	1	1	1	1	
9	90209-17226	WASHER	1	1	1	1	
10	93102-17263	OIL SEAL	1	1	1	1	
11	90201-173F4	WASHER, PLATE	1	1	1	1	
12	15A-15651-01	GEAR, KICK IDLE (28T)	1	1	1	1	
13	90214-17028	WASHER, CLAW	1	1	1	1	
14	99009-17400	CIRCLIP	2	2	2	2	
15	54G-15620-00	KICK CRANK ASSY	1	1	1	1	
16	54G-15621-00	BOSS, KICK CRANK	1	1	1	1	
17	90501-12081	SPRING, COMPRESSION	1	1	1	1	
18	93507-32009	BALL	1	1	1	1	
19	90152-06010	SCREW, COUNTERSUNK	1	1	1	1	
20	90338-18014	PLUG	1	1	1	1	
21	97027-08030	BOLT	1	1	1	1	
22	2HT-15512-00	GEAR, IDLER 1	1	1	1	1	
23	5H0-15521-00	SHAFT 1	1	1	1	1	
24	5H0-15517-00	GEAR, IDLER 2 (56T)	1	1	1	1	
25	90201-25290	WASHER, PLATE	1	1	1	1	
26	4H7-15580-10	STARTER CLUTCH OUTER ASSY	1	1	1	1	
27	90501-04596	SPRING, COMPRESSION	3	3	3	3	

B15

FIG. 12 STARTER



3AW7171-0120

REF. NO.	PART NO.	DESCRIPTION	5FY2	5FY3	5FY4	3XT9	REMARKS
28	1J7-15583-01	.CAP, STARTER CLUTCH SPRING	3	3	3	3	
29	93615-12088	.PIN, DOWEL	3	3	3	3	
30	91317-08016	BOLT	3	3	3	3	

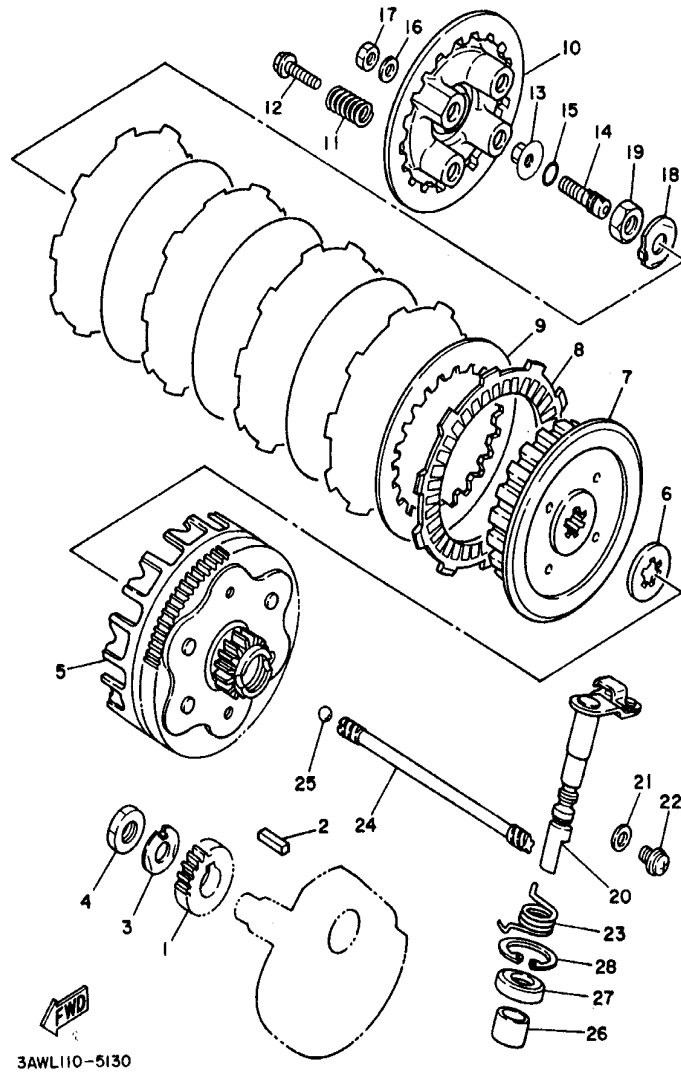


FIG. 13 CLUTCH

REF. NO.	PART NO.	DESCRIPTION	5FY2	5FY3	5FY4	3XT9	REMARKS
1	5H0-16111-00	GEAR, PRIMARY DRIVE (22T)	1	1	1	1	
2	90282-05043	KEY, STRAIGHT	1	1	1	1	
3	90215-14205	WASHER, LOCK	1	1	1	1	
4	90170-14284	NUT	1	1	1	1	
5	15A-16150-00	PRIMARY DRIVEN GEAR COMP.73/17	1	1	1	1	
6	5H0-16154-00	PLATE, THRUST 1	1	1	1	1	
7	2JX-16371-00	BOSS, CLUTCH	1	1	1	1	
8	537-16321-00	PLATE, FRICTION	5	5	5	5	
9	137-16324-00	PLATE, CLUTCH 1	4	4	4	4	
10	5H0-16351-00	PLATE, PRESSURE 1	1	1	1	1	
11	90501-23700	SPRING, COMPRESSION	4	4	4	4	
12	90159-05011	SCREW, WITH WASHER	4	4	4	4	
13	1W1-16358-01	PLATE, PUSH	1	1	1	1	
14	2JX-16356-00	ROD, PUSH 1	1	1	1	1	
15	93210-48364	O-RING	1	1	1	1	
16	92907-06200	WASHER	1	1	1	1	
17	95307-06600	NUT	1	1	1	1	
18	90215-14186	WASHER, LOCK	1	1	1	1	
19	90170-14284	NUT	1	1	1	1	
20	15A-16380-00	PUSH LEVER ASSY	1	1	1	1	
21	90430-08119	GASKET	1	1	1	1	
22	90149-08067	SCREW	1	1	1	1	
23	90508-18537	SPRING, TORSION	1	1	1	1	
24	5H0-16357-00	ROD, PUSH 2	1	1	1	1	
25	93505-16006	BALL	1	1	1	1	
26	90386-14103	BUSH	1	1	1	1	
27	93102-14209	OIL SEAL	1	1	1	1	

C3

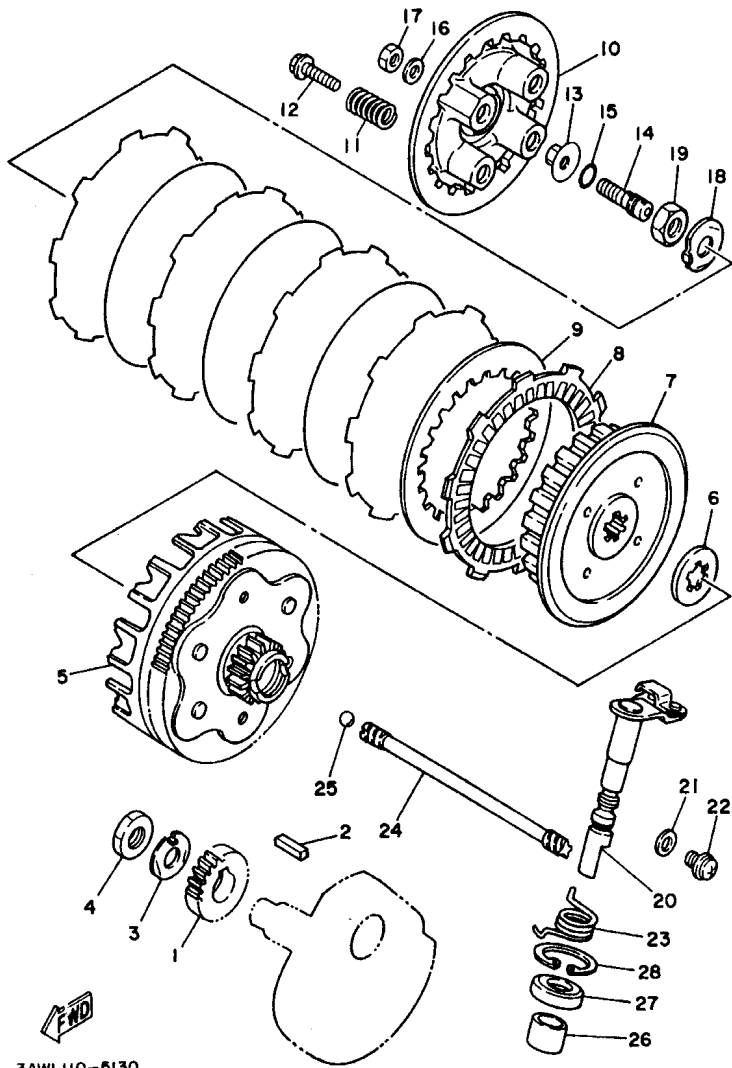


FIG. 13 CLUTCH

REF. NO.	PART NO.	DESCRIPTION	5FY2	5FY3	5FY4	3XT9	REMARKS
28	93420-28055	CIRCLIP	1	1	1	1	

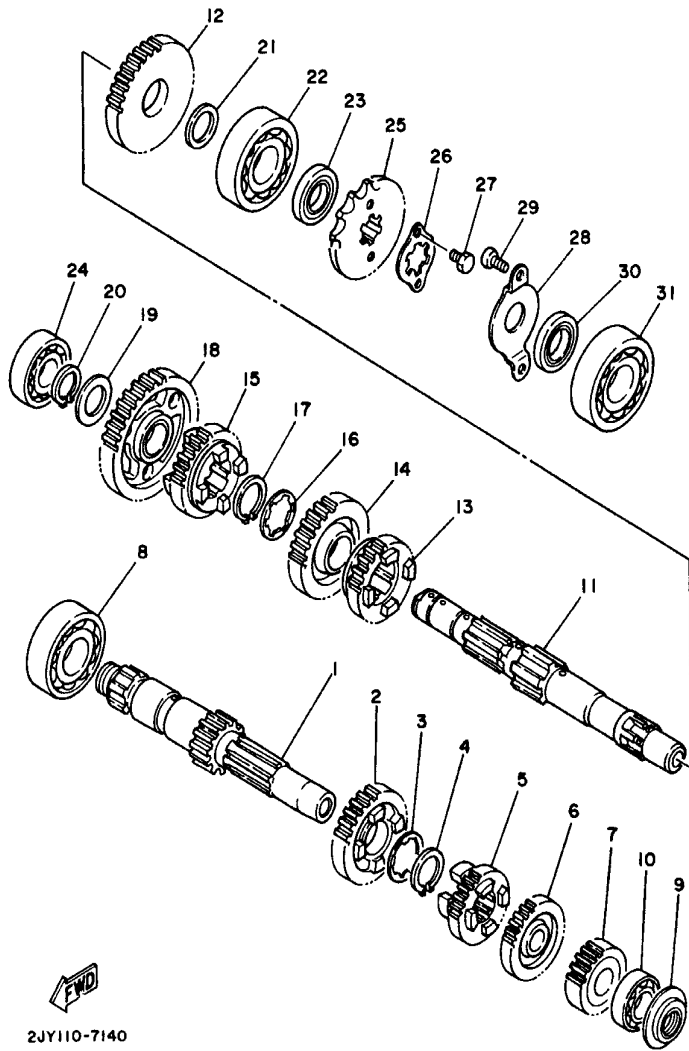
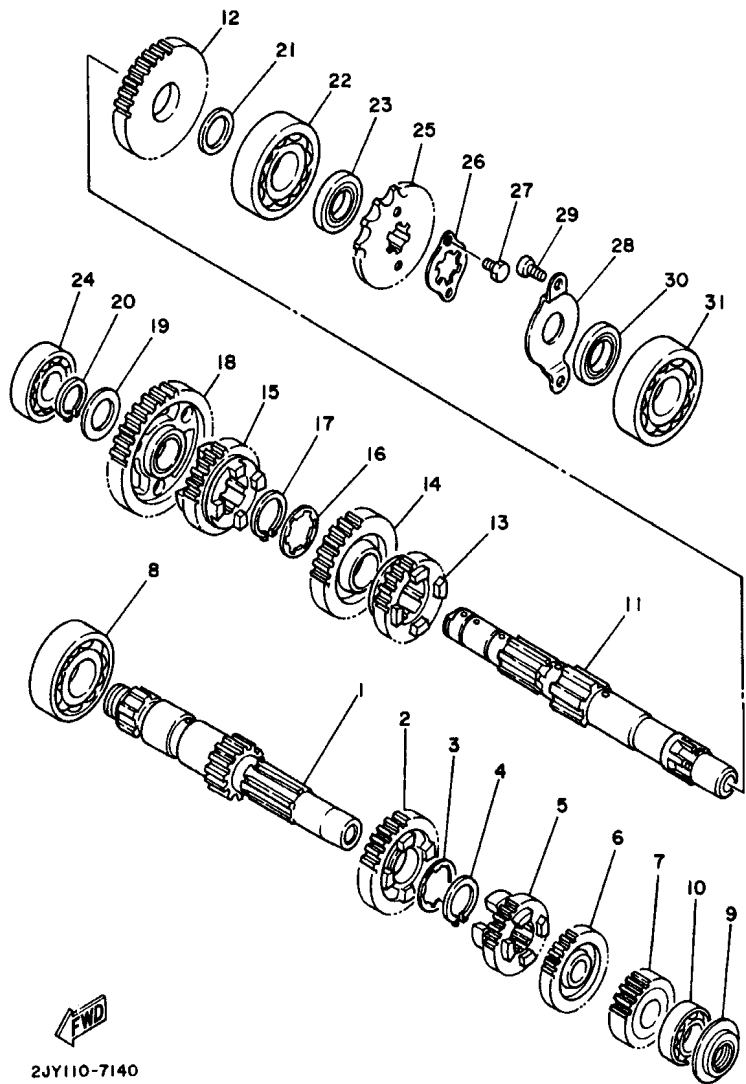


FIG. 14 TRANSMISSION

REF. NO.	PART NO.	DESCRIPTION	5FY2	5FY3	5FY4	3XT9	REMARKS
1	15A-17411-01	AXLE, MAIN	1	1	1	1	
2	15A-17151-00	GEAR, 5TH PINION (28T)	1	1	1	1	
3	90209-16209	WASHER	1	1	1	1	
4	93410-20038	CIRCLIP	1	1	1	1	
5	5H0-17121-01	GEAR, 2ND PINION (22T)	1	1	1	1	
6	15A-17141-00	GEAR, 4TH PINION (25T)	1	1	1	1	
7	15A-17121-00	GEAR, 2ND PINION (19T)	1	1	1	1	
8	93306-20401	BEARING (B6204)	1	1	1	1	
9	93101-15101	OIL SEAL	1	1	1	1	
10	93306-20201	BEARING (B6202)	1	1	1	1	
11	2JX-17402-00	DRIVE AXLE ASSY	1	1	1	1	
12	15A-17221-00	GEAR, 2ND WHEEL (34T)	1	1	1	1	
13	15A-17241-00	GEAR, 4TH WHEEL (26T)	1	1	1	1	
14	15A-17231-00	GEAR, 3RD WHEEL (29T)	1	1	1	1	
15	15A-17251-00	GEAR, 5TH WHEEL (23T)	1	1	1	1	
16	90209-18208	WASHER	1	1	1	1	
17	93410-22039	CIRCLIP	1	1	1	1	
18	15A-17211-01	GEAR, 1ST WHEEL (34T)	1	1	1	1	
19	90201-17257	WASHER, PLATE	1	1	1	1	
20	99009-17400	CIRCLIP	1	1	1	1	
21	90201-220J8	WASHER, PLATE	1	1	1	1	
22	93306-20580	BEARING	1	1	1	1	
23	93102-22389	OIL SEAL	1	1	1	1	
24	93306-20332	BEARING	1	1	1	1	
25	93823-14149	SPROCKET, DRIVE (14T)	1	1	1	1	
26	2JX-17458-00	HOLDER, SPROCKET	1	1	1	1	
27	97007-05010	BOLT	2	2	2	2	

FIG. 14 TRANSMISSION

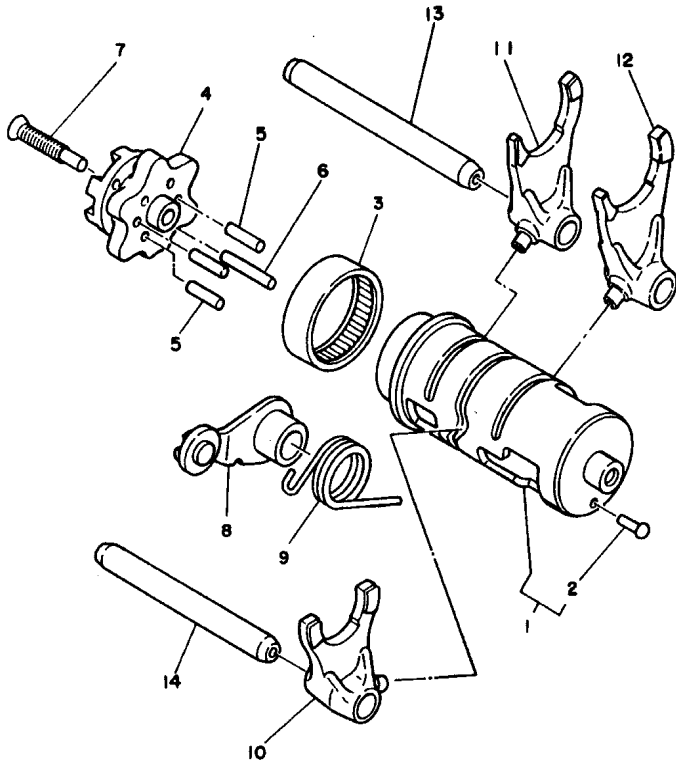


2JY110-7140

REF. NO.	PART NO.	DESCRIPTION	5FY2	5FY3	5FY4	3XT9	REMARKS
28	2JX-17471-00	PLATE, COVER	1	1	1	1	
29	98507-06010	SCREW, PAN HEAD	2	2	2	2	
30	93102-17187	OIL SEAL	1	1	1	1	
31	93306-20313	BEARING (B6203C4)	1	1	1	1	

C6

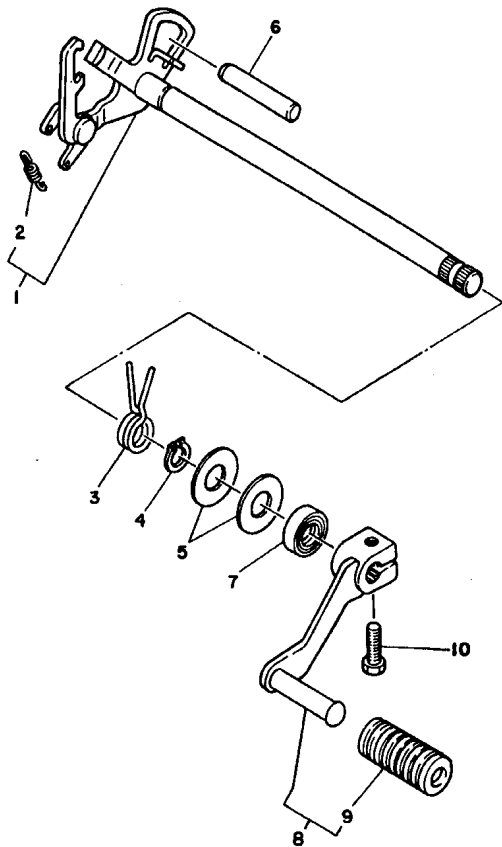
FIG. 15 SHIFT CAM. FORK



REF. NO.	PART NO.	DESCRIPTION	5FY2	5FY3	5FY4	3XT9	REMARKS
1	5N0-18540-00	SHIFT CAM ASSY	1	1	1	1	
2	136-18542-00	.POINT, NEUTRAL	1	1	1	1	
3	93315-23607	BEARING	1	1	1	1	
4	1RH-18185-00	SEGMENT	1	1	1	1	
5	93604-16092	PIN, DOWEL	3	3	3	3	
6	93604-20156	PIN, DOWEL	1	1	1	1	
7	90151-06013	SCREW, COUNTERSUNK	1	1	1	1	
8	1RH-18140-00	STOPPER LEVER ASSY	1	1	1	1	
9	90508-26539	SPRING, TORSION	1	1	1	1	
10	4JG-18511-00	FORK, SHIFT 1	1	1	1	1	
11	4JG-18512-01	FORK, SHIFT 2	1	1	1	1	
12	4JG-18513-00	FORK, SHIFT 3	1	1	1	1	
13	3GX-18531-00	BAR, SHIFT FORK GUIDE 1	1	1	1	1	
14	3GX-18535-00	BAR, SHIFT FORK GUIDE 2	1	1	1	1	



5N0010-0170



25A310-3170

FIG. 16 SHIFT SHAFT

REF. NO.	PART NO.	DESCRIPTION	5FY2	5FY3	5FY4	3XT9	REMARKS
1	5H0-18120-02	SHIFT LEVER ASSY	1	1	1	1	
2	90506-08227	.SPRING, TENSION	1	1	1	1	
3	90508-29540	SPRING, TORSION	1	1	1	1	
4	99001-10600	CIRCLIP	1	1	1	1	
5	90201-12588	WASHER, PLATE	2	2	2	2	
6	93608-50158	PIN, DOWEL	1	1	1	1	
7	93102-12106	OIL SEAL (SD 12-22-5 HS)	1	1	1	1	
8	1RL-18110-00	SHIFT PEDAL ASSY	1	1	1	1	
9	132-18113-01	.COVER, SHIFT PEDAL	1	1	1	1	
10	97027-06020	BOLT	1	1	1	1	

C8

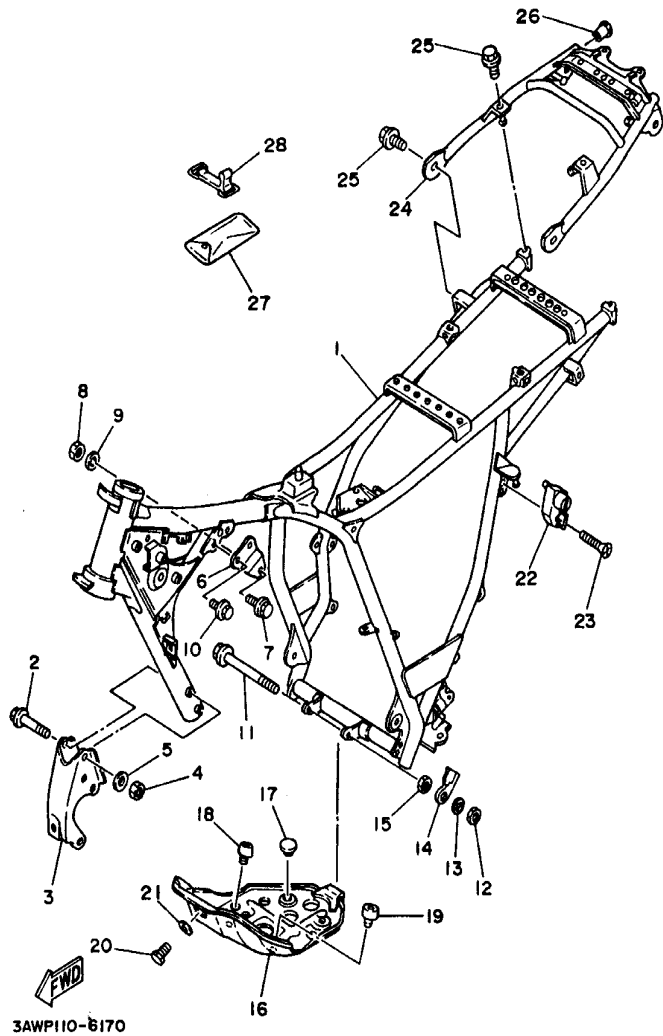


FIG. 17 FRAME

REF. NO.	PART NO.	DESCRIPTION	5FY2	5FY3	5FY4	3XT9	REMARKS
1	2YG-21110-00-35	FRAME COMP.	1		1		SL
	3AW-21110-00-35	FRAME COMP.		1			SL
	3LY-21110-00-35	FRAME COMP.				1	SL
2	95817-08065	BOLT, FLANGE	4	4	4	4	
3	1RL-21316-00-35	STAY, ENGINE 3	1		1	1	SL
	2JX-21316-00-35	STAY, ENGINE 3		1			SL
4	90185-08089	NUT, SELF-LOCKING	4	4	4	4	
5	90201-08366	WASHER, PLATE	4	4	4	4	
6	2JX-21315-00	STAY, ENGINE 2	1	1	1	1	
7	95817-08050	BOLT, FLANGE	1	1	1	1	
8	90185-08089	NUT, SELF-LOCKING	1	1	1	1	
9	90201-08366	WASHER, PLATE	1	1	1	1	
10	90105-08066	BOLT, WASHER BASED	2	2	2	2	
11	95817-08120	BOLT, FLANGE	1	1	1	1	
12	90185-08089	NUT, SELF-LOCKING	1	1	1	1	
13	90201-08366	WASHER, PLATE	1	1	1	1	
14	1RL-21337-00	CLAMP, CABLE	1	1	1	1	
15	90185-08055	NUT, SELF-LOCKING	1	1	1	1	
16	1RL-21471-00-35	PROTECTOR, ENGINE	1	1	1	1	SL
17	128-27114-00	STOPPER, MAIN STAND	2	2	2	2	
18	34L-21485-00	DAMPER, RUBBER 1	1	1	1	1	
19	4N0-27114-00	STOPPER, MAIN STAND	1	1	1	1	
20	97007-06016	BOLT	1	1	1	1	
21	92907-06800	WASHER, PLATE	1	1	1	1	
22	4R8-21308-00	HELMET HANGER ASSY	1	1	1	1	
23	90151-06038	SCREW, COUNTERSUNK	1	1	1	1	
24	2JX-21190-00-35	REAR FRAME COMP.	1	1	1	1	SL

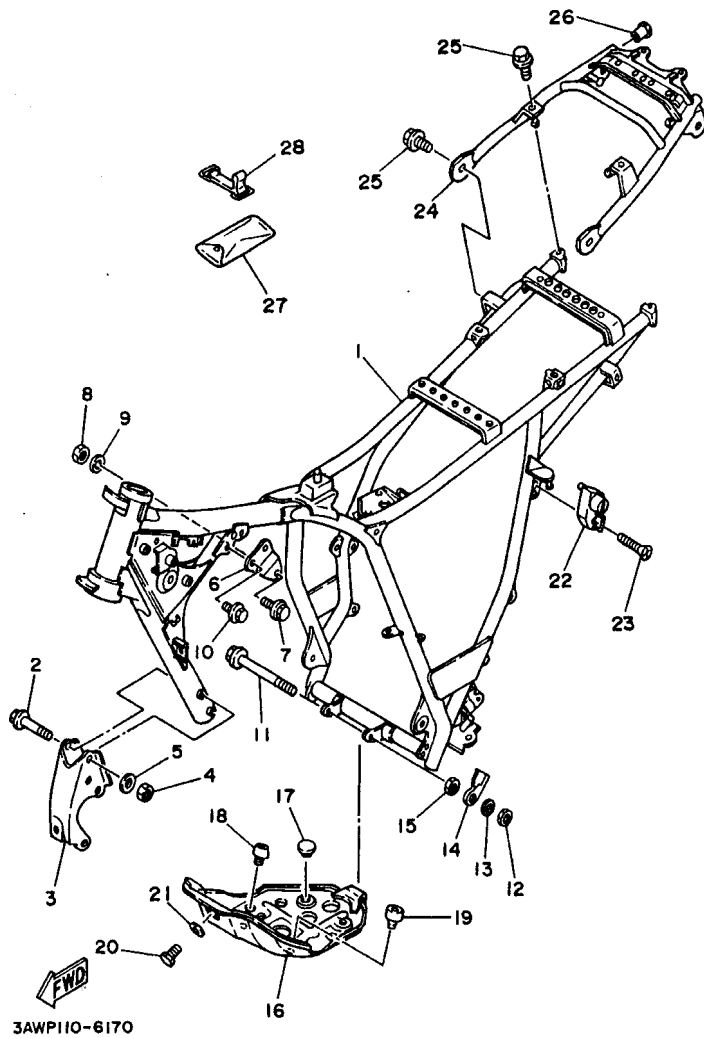
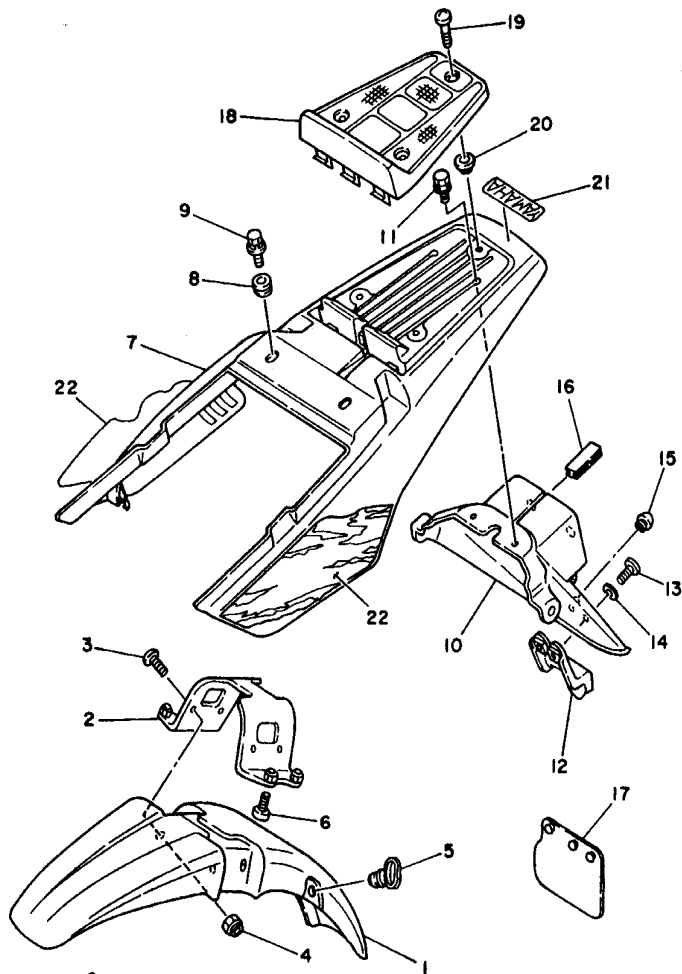


FIG. 17 FRAME

REF. NO.	PART NO.	DESCRIPTION					REMARKS
			5FY2	5FY3	5FY4	3XT9	
25	95827-06012	BOLT, FLANGE	4	4	4	4	
26	90338-12081	PLUG	2	2	2	2	
27	2JX-28100-00	TOOL KIT	1	1	1	1	
28	3TJ-82131-00	BAND, BATTERY	1	1	1	1	

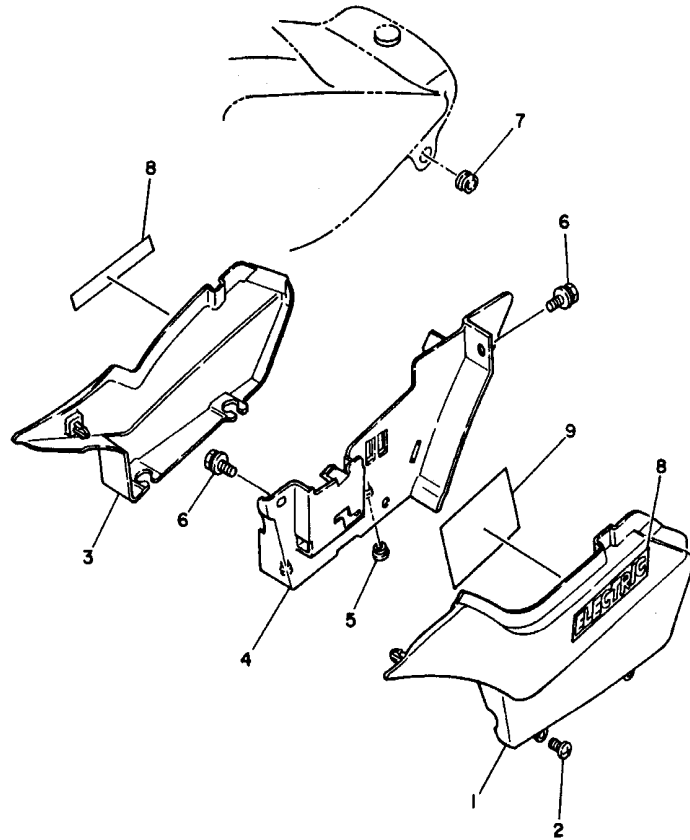


3AWH110-4180

FIG. 18 FENDER

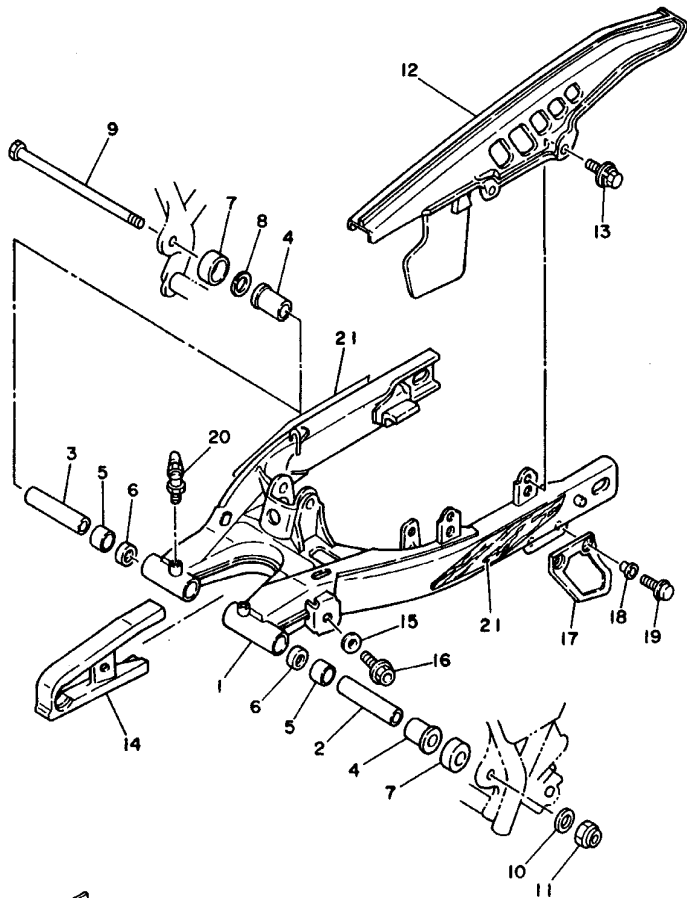
REF. NO.	PART NO.	DESCRIPTION	5FY2	5FY3	5FY4	3XT9	REMARKS
1	3AW-21511-20	FENDER, FRONT	1	1	1	1	
2	2JX-21512-00	BRACKET, FENDER	1	1	1	1	
3	90154-05004	SCREW, BINDING	4	4	4	4	
4	95607-05200	NUT, SELF-LOCKING	4	4	4	4	
5	1A8-21518-00	HOLDER, CABLE	1	1	1	1	
6	91317-06020	BOLT	4	4	4	4	
7	3AW-21611-20	FENDER, REAR	1	1	1	1	
8	90480-12053	GROMMET	2	2	2	2	
9	90119-06063	BOLT, WITH WASHER	4	4	4	4	
10	2JX-21685-00	BRACKET, LICENSE	1	1	1	1	
11	90119-06056	BOLT, WITH WASHER	2	2	2	2	
12	2JX-21641-00	BRACKET, REFLECTOR	1	1	1	1	
13	98507-05012	SCREW, PAN HEAD	2	2	2	2	
14	92907-05600	WASHER, PLATE	2	2	2	2	
15	4G0-21639-00	DAMPER 2	1	1	1		
	5A8-21639-00	DAMPER 2				1	
16	2JX-21669-00	SEAL	1	1	1	1	
17	34X-21691-00	FLAP	1	1	1	1	
18	2JX-21651-00	COVER, REAR FENDER	1	1	1	1	
19	98907-06014	SCREW, BIND	3	3	3	3	
20	90387-06681	COLLAR	3	3	3	3	
21	99247-00080	EMBLEM, YAMAHA	1	1	1	1	
22	3AW-2165A-50	GRAPHIC SET, REAR FENDER	1	1	1	1	

FIG. 19 SIDE COVER



REF. NO.	PART NO.	DESCRIPTION	5FY2	5FY3	5FY4	3XT9	REMARKS
1	3AW-21711-20-0X	COVER, SIDE 1	1	1	1	1	LGB
2	90154-05013	SCREW, BINDING	2	2	2	2	
3	3AW-21721-20-0X	COVER, SIDE 2	1	1	1	1	LGB
4	2JX-2177A-00	BOX	1	1	1	1	
5	90480-13197	GROMMET	2	2	2	2	
6	90119-06056	BOLT, WITH WASHER	2	2	2	2	
7	90480-01141	GROMMET	2	2	2	2	
8	3AW-21782-90	EMBLEM 2	2	2	2	2	
9	5FY-2179V-00	PLATE, EPA 1(NON CALIFORNIA)	1				
	5FY-2179N-00	PLATE, EPA 2(CALIFORNIA)		1			

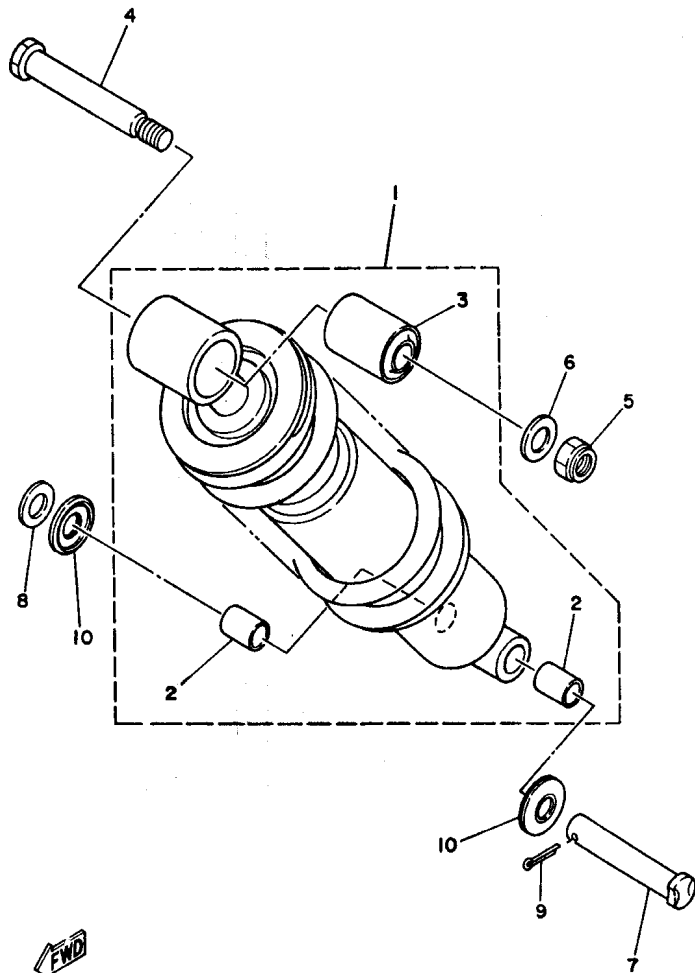

2JY110-7190



3AWH110-4200

FIG. 20 REAR ARM

REF. NO.	PART NO.	DESCRIPTION	SFY2	SFY3	SFY4	SXT9	REMARKS
1	2JX-22110-00-35	REAR ARM COMP.	1	1	1	1	SL
2	2JX-22123-00	BUSH 1	1	1	1	1	
3	2JX-22124-00	BUSH 2	1	1	1	1	
4	90386-18146	BUSH	2	2	2	2	
5	90380-18139	BUSH, SOLID	2	2	2	2	
6	93109-18020	OIL SEAL	2	2	2	2	
7	401-22128-01	SEAL, GUARD	2	2	2	2	
8	401-22127-00	SHIM	1	1	1	1	UN
9	2JX-22141-00	SHAFT, PIVOT	1	1	1	1	
10	90201-120E8	WASHER, PLATE	1	1	1	1	
11	90185-12134	NUT, SELF-LOCKING	1	1	1	1	
12	34X-22311-00	CASE, CHAIN	1	1	1	1	
13	90119-05059	BOLT, WITH WASHER	2	2	2	2	
14	34X-22151-01	SEAL, GUARD	1	1	1	1	
15	90209-06187	WASHER	1	1	1	1	
16	90119-05062	BOLT, WITH WASHER	1	1	1	1	
17	38V-22199-00	SUPPORT, CHAIN	1	1	1	1	
18	90387-06737	COLLAR	2	2	2	2	
19	97007-06020	BOLT	2	2	2	2	
20	93700-06009	NIPPLE, GREASE	2	2	2	2	
21	3AW-22180-50	EMBLEM	1	1	1	1	

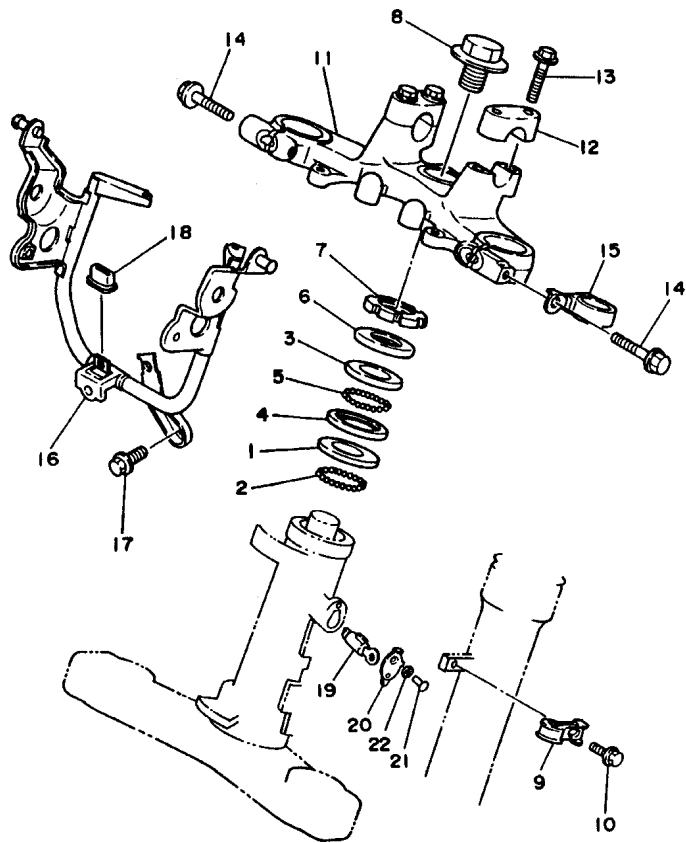


FWD
2JY110-7210

FIG. 21 REAR SUSPENSION

REF. NO.	PART NO.	DESCRIPTION	5FY2	5FY3	5FY4	3XT9	REMARKS
1	3AW-22210-00-P0	SHOCK ABSORBER ASSY, REAR	1	1			LRY51
	3AW-22210-10-P0	SHOCK ABSORBER ASSY, REAR			1		LRY51
	3XT-22210-20-P0	SHOCK ABSORBER ASSY, REAR				1	LRY51
2	90380-12051	.BUSH, SOLID	2	2	2	2	
3	1M1-22216-00	.BUSH, REAR SHOCK ABSORBER	1	1	1	1	
4	90109-100E2	BOLT	1	1	1	1	
5	95617-10100	NUT, U	1	1	1	1	
6	90201-100E9	WASHER, PLATE	1	1	1	1	
7	90240-12075	PIN, CLEVIS	1	1	1	1	
8	90201-12175	WASHER, PLATE	1	1	1	1	
9	91401-30025	PIN, COTTER	1	1	1	1	
10	30X-22129-00	COVER, THRUST 2	2	2	2	2	

FIG. 22 STEERING



3LY135I-9220

REF. NO.	PART NO.	DESCRIPTION	SFY2	SFY3	SFY4	3XT9	REMARKS
1	156-23412-00	RACE, BALL 2	1	1	1	1	
2	93501-04011	BALL	19	19	19	19	
3	22F-23411-01	RACE, BALL 1	1	1	1	1	
4	22F-23412-01	RACE, BALL 2	1	1	1	1	
5	93503-16003	BALL	22	22	22	22	
6	122-23416-00	COVER, BALL RACE 2	1	1	1	1	
7	90179-25033	NUT	1	1	1	1	
8	90105-14102	BOLT, WASHER BASED	1	1	1	1	
9	3Y1-23319-00	HOLDER, CABLE 2	1	1	1	1	
10	95807-06012	BOLT, FLANGE	1	1	1	1	
11	2JX-23435-00-35	CROWN, HANDLE	1	1	1	1	SL
12	1E6-23441-10-35	HOLDER, HANDLE UPPER	2	2	2	2	SL
13	95824-08035	BOLT, FLANGE	4	4	4	4	
14	95027-08050	BOLT, FLANGE	2	2	2	2	
15	3R1-23317-00	HOLDER, CABLE	1	1	1	1	
16	2JX-23174-00	STAY, HEADLIGHT	1	1	1	1	
17	95807-06012	BOLT, FLANGE	1	1	1	1	
18	30X-23445-00	DAMPER	1	1	1	1	
19	*	STEERING LOCK ASSY				1	LM
20	134-23484-10	CAP, HANDLE LOCK				1	
21	90269-04003	RIVET				1	
22	90208-04029	WASHER, CONICAL SPRING				1	

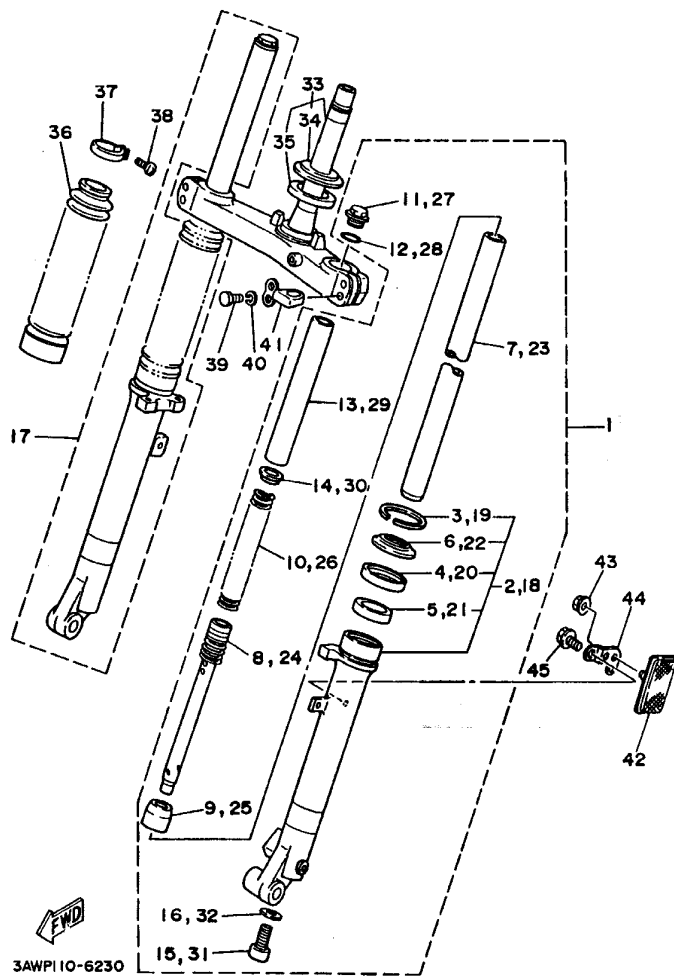


FIG. 23 FRONT FORK

REF. NO.	PART NO.	DESCRIPTION	BFY2	BFY3	BFY4	8XT9	REMARKS
1	2JX-23102-00	FRONT FORK ASSY (L.H)	1	1	1		
	2JL-23102-00	FRONT FORK ASSY (L.H)				1	
2	2JX-23126-00	.TUBE, OUTER (LEFT)	1	1	1	1	
3	22W-23153-L0	..RING, SNAP	1	1	1	1	
4	22W-23145-L0	..OIL SEAL	1	1	1	1	
5	51Y-23125-00	..METAL, SLIDE 1	1	1	1	1	
6	54G-23144-00	..SEAL, DUST	1	1	1	1	
7	2JX-23110-00	.INNER TUBE COMP.1	1	1	1	1	
8	2JX-23170-00	.CYLINDER COMP., FRONT FORK	1	1	1	1	
9	39K-23173-00	.SPINDLE, TAPER	1	1	1	1	
10	2JX-23141-00	.SPRING, FRONT FORK	1	1	1		
	2JL-23141-00	.SPRING, FRONT FORK				1	
11	2JN-23111-00	.BOLT, CAP	1	1	1	1	
12	3J2-23114-00	.O-RING	1	1	1	1	
13	22U-23118-01	.SPACER	1	1	1		
	2JL-23118-00	.SPACER				1	
14	583-23142-M0	.SEAT, SPRING UPPER	1	1	1	1	
15	278-23181-50	.BOLT, HEXAGON SOCKET HEAD	1	1	1	1	
16	509-23158-L0	.GASKET	1	1	1	1	
17	2JX-23103-00	FRONT FORK ASSY (R.H)	1	1	1		
	2JL-23103-00	FRONT FORK ASSY (R.H)				1	
18	2JX-23136-00	.TUBE, OUTER (RIGHT)	1	1	1	1	
19	22W-23153-L0	..RING, SNAP	1	1	1	1	
20	22W-23145-L0	..OIL SEAL	1	1	1	1	
21	51Y-23125-00	..METAL, SLIDE 1	1	1	1	1	
22	54G-23144-00	..SEAL, DUST	1	1	1	1	
23	2JX-23110-00	.INNER TUBE COMP.1	1	1	1	1	

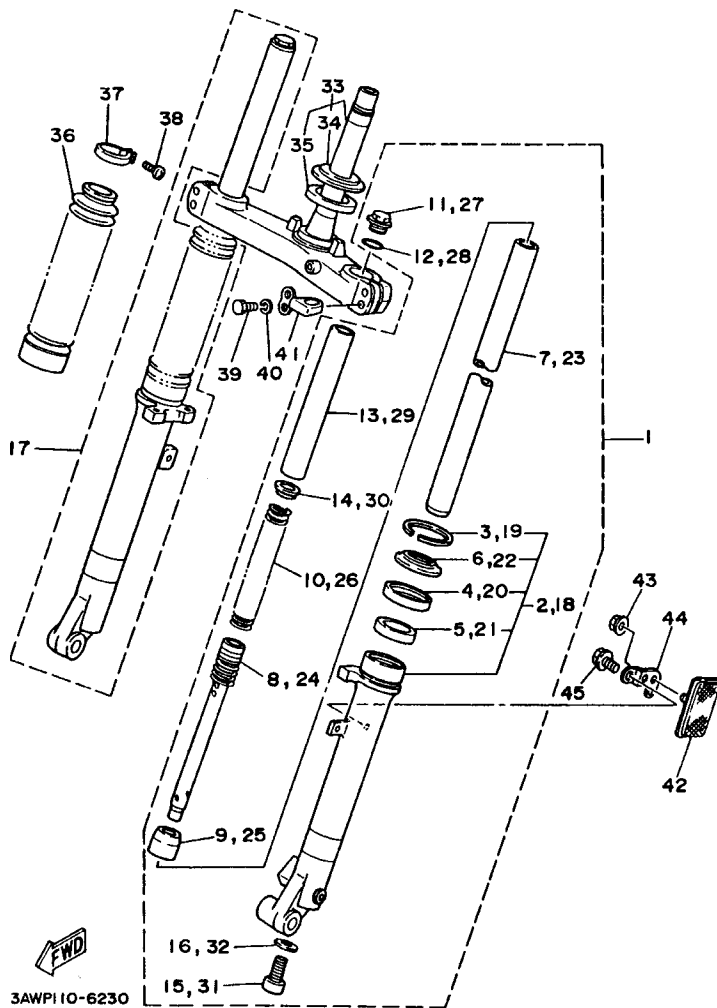
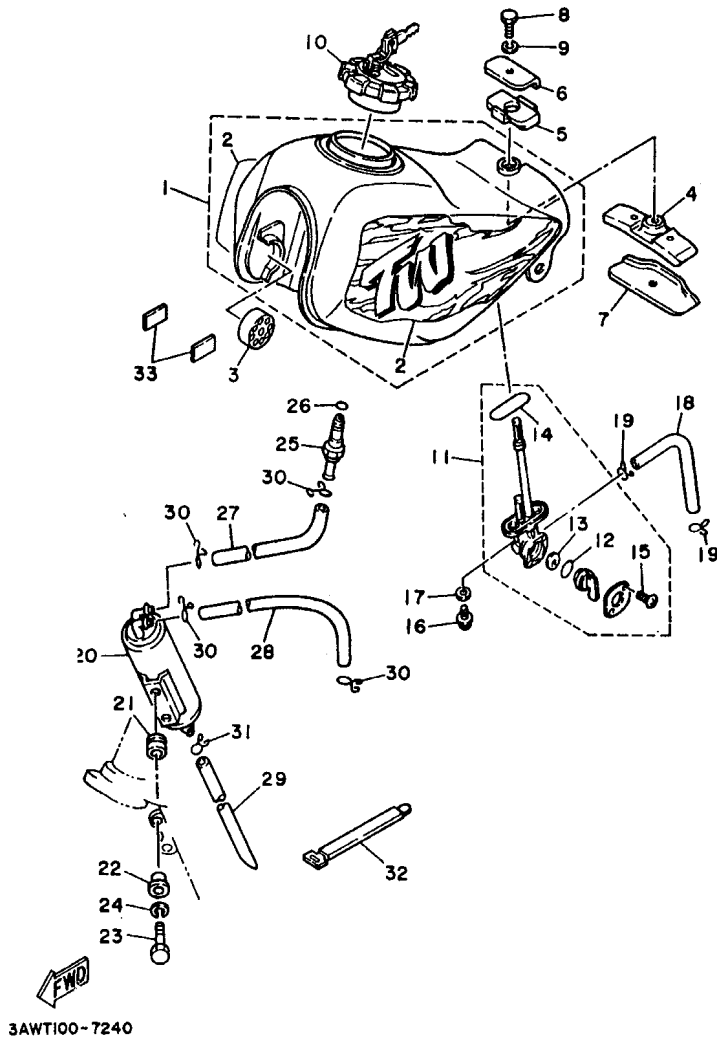


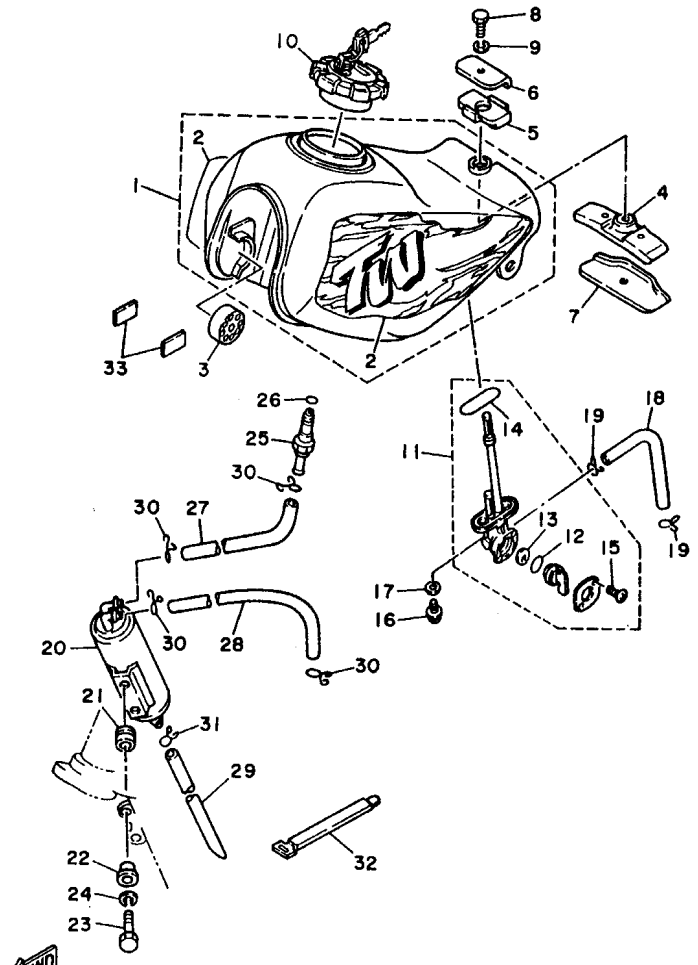
FIG. 23 FRONT FORK

REF. NO.	PART NO.	DESCRIPTION	5FY2	5FY3	5FY4	3XT9	REMARKS
24	2JX-23170-00	.CYLINDER COMP., FRONT FORK	1	1	1	1	
25	39K-23173-00	.SPINDLE, TAPER	1	1	1	1	
26	2JX-23141-00	.SPRING, FRONT FORK	1	1	1		
	2JL-23141-00	.SPRING, FRONT FORK				1	
27	2JN-23111-00	.BOLT, CAP	1	1	1	1	
28	3J2-23114-00	.O-RING	1	1	1	1	
29	22U-23118-01	.SPACER	1	1	1		
	2JL-23118-00	.SPACER				1	
30	583-23142-M0	.SEAT, SPRING UPPER	1	1	1	1	
31	278-23181-50	.BOLT, HEXAGON SOCKET HEAD	1	1	1	1	
32	509-23158-L0	.GASKET	1	1	1	1	
33	2JX-23340-00	UNDER BRACKET COMP.	1	1	1		
	3LY-23340-00	UNDER BRACKET COMP.				1	
34	156-23411-00	.RACE, BALL 1	1	1	1	1	
35	164-23462-00	.SEAL, STEERING	1	1	1	1	
36	2JX-23191-20	BOOT	2	2	2	2	FARAWAY BLUE
37	2K5-23192-00	BAND	2	2	2	2	
38	1W4-23194-L0	SCREW, BOOT BAND	2	2	2	2	
39	97321-08035	BOLT	4	4	4	4	
40	92901-08100	WASHER, SPRING	4	4	4	4	
41	5Y1-23317-00	HOLDER, CABLE	1	1	1	1	
42	20G-85110-00	REFLECTOR ASSY	2	2	2		
43	95707-05500	NUT, FLANGE	2	2	2		
44	2JX-85112-00	BRACKET, REFLECTOR 1	2	2	2		
45	95807-06008	BOLT, FLANGE	2	2	2		

FIG. 24 FUEL TANK



REF. NO.	PART NO.	DESCRIPTION	5FY2	5FY3	5FY4	3XT9	REMARKS
1	2JY-24110-00-W1	FUEL TANK COMP.	1			1	PWS1
	2JX-24110-00-X8	FUEL TANK COMP.		1			PWS1
2	3AW-24240-80	.GRAPHIC SET	1	1	1	1	
3	4L0-24181-00	DAMPER, LOCATING 1	2	2	2	2	
4	30X-24182-01	DAMPER, LOCATING 2	1	1	1	1	
5	30X-24183-01	DAMPER, LOCATING 3	1	1	1	1	
6	30X-24186-01	WASHER, SPECIAL	1	1	1	1	
7	30X-24187-00	WASHER, SPECIAL	1	1	1	1	
8	97007-06012	BOLT	1	1	1	1	
9	92907-06600	WASHER, PLATE	1	1	1	1	
10	48Y-24602-00	CAP ASSY	1			1	
	56R-24602-00	CAP ASSY		1			
11	23F-24500-01	FUEL COCK ASSY 1	1	1	1	1	
12	4X8-24512-00	.O-RING	1	1	1	1	
13	97801-03008	.SCREW, PAN HEAD	2	2	2	2	
14	3AJ-24523-00	.VALVE PACKING	1	1	1	1	
15	3AJ-24534-00	.SEAL, COCK	1	1	1	1	
16	90149-06011	SCREW	2	2	2	2	
17	90202-05193	WASHER, PLATE	2	2	2	2	
18	90445-10458	HOSE	1	1	1	1	
19	90467-09006	CLIP	2	2	2	2	
20	4BE-24170-00	CANISTER ASSY		1			
21	90480-15342	GROMMET		2			
22	90387-063G3	COLLAR		2			
23	97007-06025	BOLT		2			
24	92907-06600	WASHER, PLATE		2			
25	20K-24180-00	ROLL OVER VALVE ASSY		1			

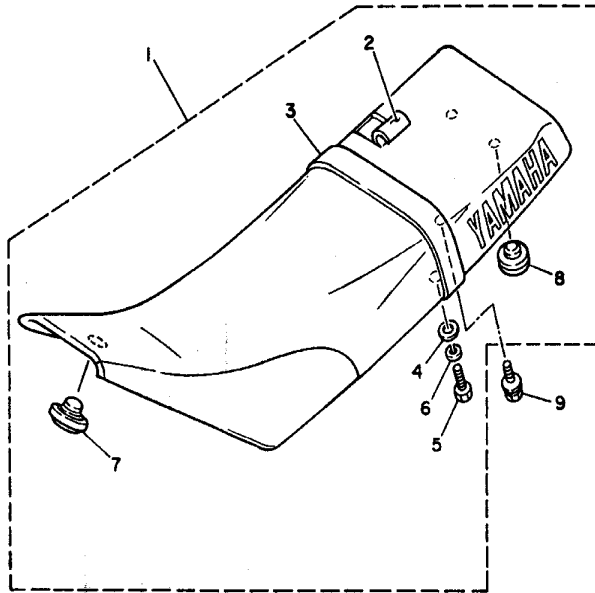


3AWT100-7240

FIG. 24 FUEL TANK

REF. NO.	PART NO.	DESCRIPTION	5FY2	5FY3	5FY4	3XT9	REMARKS
26	93210-10166	O-RING		1			
27	90445-10458	HOSE		1			
28	90445-106A3	HOSE		1			
29	91A21-07024	TUBE, FLEXIBLE		1			
30	90467-09006	CLIP		4			
31	90467-11106	CLIP		1			
32	341-26397-01	BAND		1			
33	2JX-24141-00	PROTECTOR, FUEL TANK	2	2	2	2	

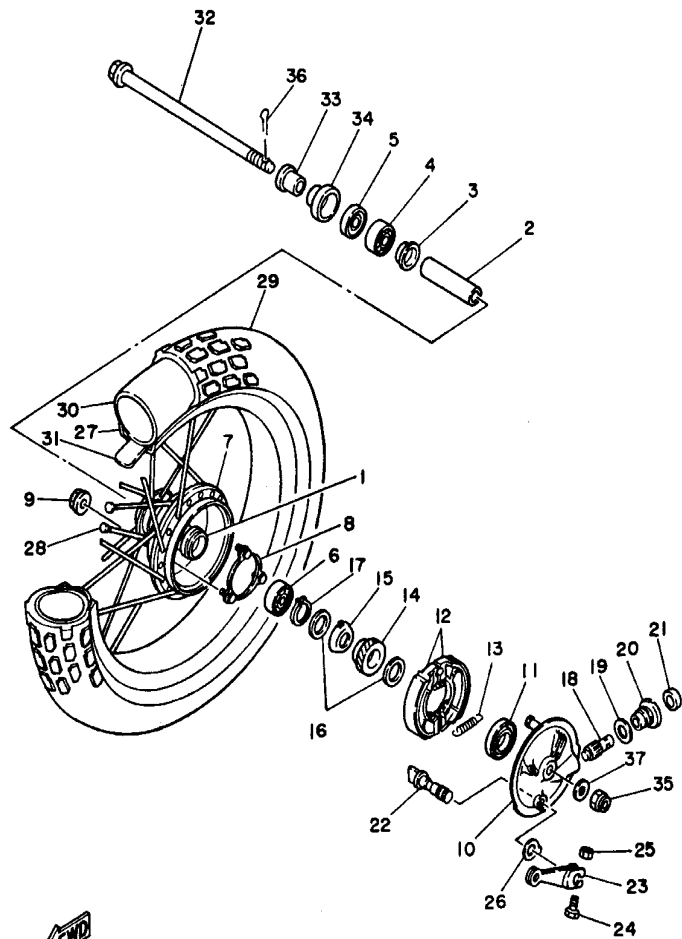
FIG. 25 SEAT



REF. NO.	PART NO.	DESCRIPTION	5FY2	5FY3	5FY4	3XT9	REMARKS
1	2JX-24770-60	SEMI-DOUBLE SEAT ASSY	1	1	1	1	
2	2JX-24731-60	.COVER, SEAT	1	1	1	1	
3	2JX-24734-60	.BAND, SEAT	1	1	1	1	
4	90201-06059	.WASHER, PLATE	2	2	2	2	
5	97007-06020	.BOLT	2	2	2	2	
6	92907-06100	.WASHER, SPRING	2	2	2	2	
7	18A-24723-00	.DAMPER, SEAT	1	1	1	1	
8	1L9-24741-A0	.PAD, SEAT	1	1	1	1	
9	90119-06063	BOLT, WITH WASHER	2	2	2	2	



2JY110-7250



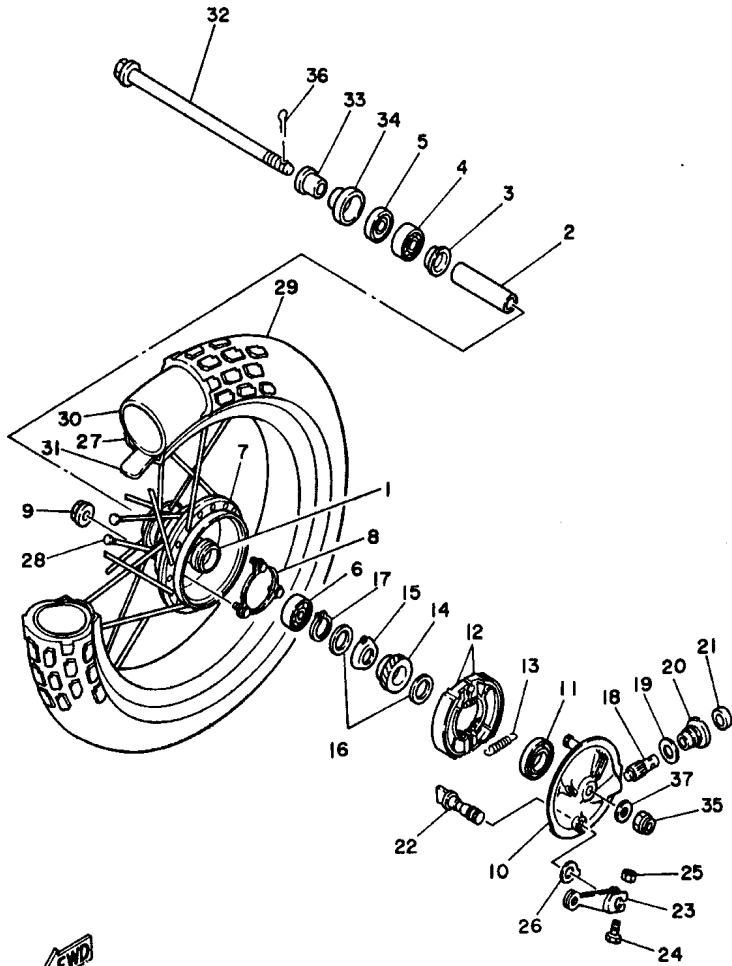
2JY110-7260

FIG. 26 FRONT WHEEL

REF. NO.	PART NO.	DESCRIPTION	SFY2	SFY3	SFY4	3XT9	REMARKS
1	2JX-25111-00	HUB, FRONT	1	1	1	1	
2	2JX-25117-00	SPACER, BEARING	1	1	1	1	
3	183-25315-00	FLANGE, SPACER	1	1	1	1	
4	93306-20205	BEARING (B6202)	1	1	1	1	
5	93102-20009	OIL SEAL	1	1	1	1	
6	93306-20203	BEARING (B6202RS)	1	1	1	1	
7	2JX-2511E-00-35	DRUM, BRAKE	1	1	1	1	SL
8	54G-25185-00	RING 1	1	1	1	1	
9	90179-08410	NUT	3	3	3	3	
10	3Y1-25121-01-35	PLATE, BRAKE SHOE	1	1	1	1	SL
11	93105-47007	OIL SEAL	1	1	1	1	
12	3LS-W2536-00	BRAKE SHOE SET	1	1	1	1	
13	90506-15260	SPRING, TENSION	2	2	2	2	
14	214-25135-00	GEAR, DRIVE	1	1	1	1	
15	214-25149-01	CLUTCH, METER	1	1	1	1	
16	90201-22283	WASHER, PLATE	2	2	2	2	
17	99009-22400	CIRCLIP	1	1	1	1	
18	214-25138-00	GEAR, METER	1	1	1	1	
19	90201-07076	WASHER, PLATE	1	1	1	1	
20	109-25136-00	BUSH	1	1	1	1	
21	93104-07003	OIL SEAL	1	1	1	1	
22	3Y6-25351-00	CAMSHAFT	1	1	1	1	
23	3Y1-25155-01	LEVER, CAMSHAFT 1	1	1	1	1	
24	90101-06278	BOLT	1	1	1	1	
25	95307-06600	NUT	1	1	1	1	
26	3Y6-2533A-01	PLATE, INDICATOR	1	1	1	1	
27	94425-18446	RIM (2.50-18)	1	1	1	1	

D7

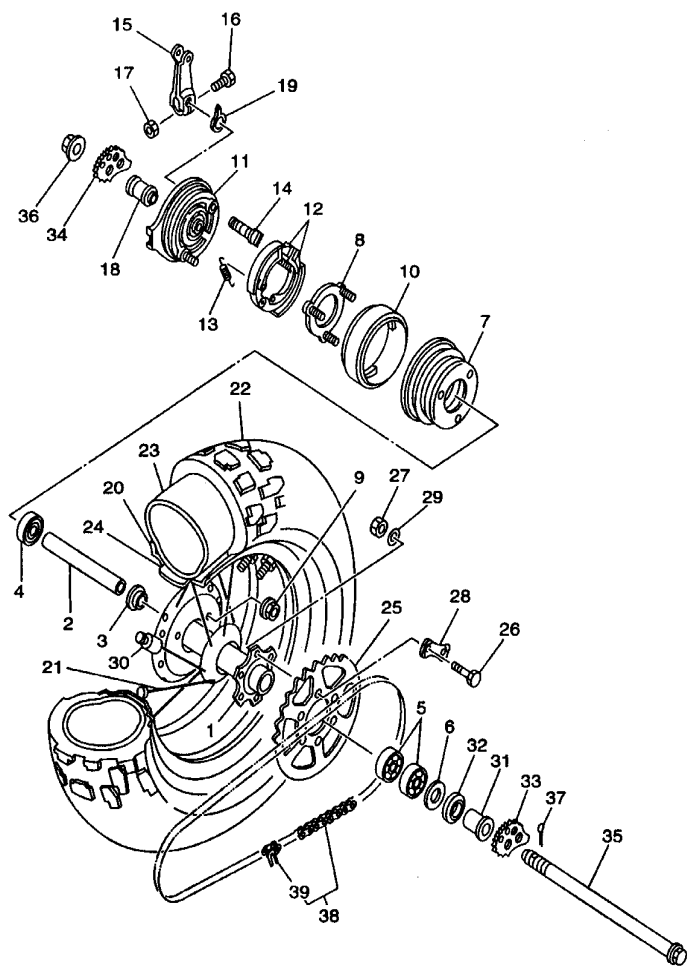
FIG. 26 FRONT WHEEL



2JY110-7260

REF. NO.	PART NO.	DESCRIPTION	5FY2	5FY3	5FY4	3XT9	REMARKS
28	2JX-25104-00	SPOKE SET, FRONT	1	1	1	1	
29	94113-184R7	TIRE (66P 130/80-18 TW31 AM)	1	1	1	1	BRIDGESTONE
30	94213-18232	TUBE (MC130/80-18)	1	1	1	1	BRIDGESTONE
31	94340-18086	BAND, RIM (4.50-14)	1	1	1	1	BRIDGESTONE
32	2JX-25181-00	AXLE, WHEEL	1	1	1	1	
33	90387-15600	COLLAR	1	1	1	1	
34	322-25118-00	COVER, HUB DUST	1	1	1	1	
35	90171-14020	NUT, CASTLE	1	1	1	1	
36	91401-30030	PIN, COTTER	1	1	1	1	
37	90201-15785	WASHER, PLATE	1	1	1	1	

D8

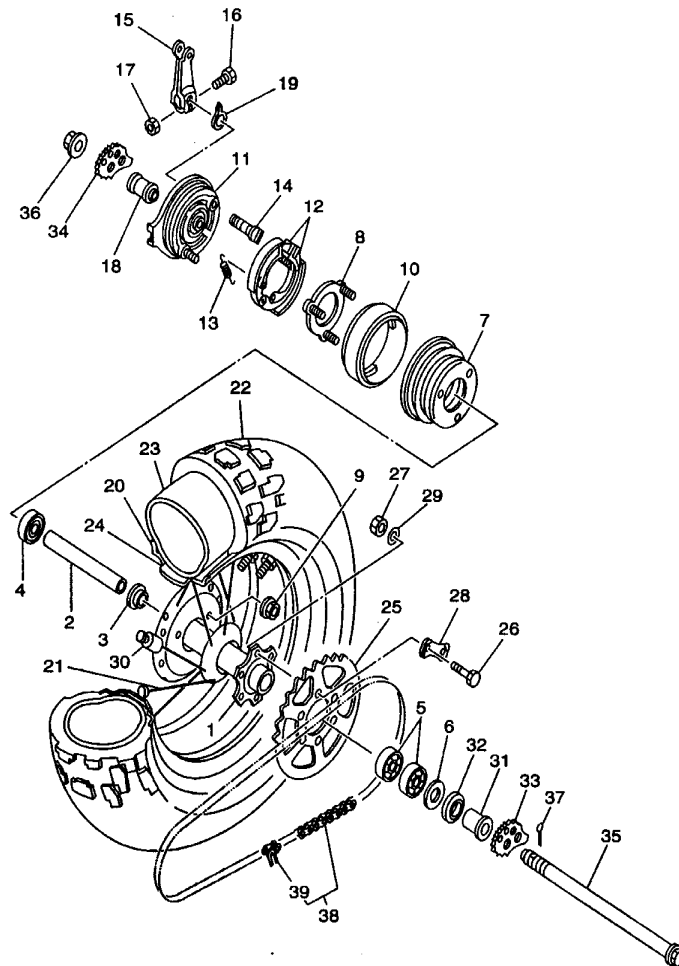



5FY4100-9270

FIG. 27 REAR WHEEL

REF. NO.	PART NO.	DESCRIPTION	5FY2	5FY3	5FY4	3XT9	REMARKS
1	2JX-25311-00	HUB, REAR	1	1	1	1	
2	90560-17305	SPACER	1	1	1	1	
3	152-25115-00	FLANGE, SPACER 1	1	1	1	1	
4	93306-20310	BEARING (B6203DU)	1	1	1	1	
5	93306-20316	BEARING (B6203)	2	2	2	2	
6	93102-25311	OIL SEAL (FPJ 25-44-8 TS)	1	1	1	1	
7	5V7-2511E-00-35	DRUM, BRAKE	1	1	1	1	SL
8	54G-25185-00	RING 1	1	1	1	1	
9	90179-08410	NUT	3	3	3	3	
10	2JX-25336-00	RING 2	1	1	1	1	
11	2JX-25321-02-35	PLATE, BRAKE SHOE	1	1	1	1	SL
12	2JL-W2536-10	BRAKE SHOE SET	1	1	1	1	
13	90506-15260	SPRING, TENSION	2	2	2	2	
14	3Y6-25351-00	CAMSHAFT	1	1	1	1	
15	2N3-25155-00	LEVER, CAMSHAFT 1	1	1	1	1	
16	90101-06278	BOLT	1	1	1	1	
17	95307-06600	NUT	1	1	1	1	
18	90387-171T1	COLLAR	1	1	1	1	
19	2JX-2533A-00	PLATE, INDICATOR	1	1	1	1	
20	94445-14479	RIM	1	1	1	1	
21	2JX-25304-00	SPOKE SET, REAR	1	1	1	1	
22	94118-145U2	TIRE (180/80-14M/C 78PTW32T/T)	1	1	1		BRIDGESTONE
	94118-145U1	TIRE (180/80-14M/C78P)				1	BRIDGESTONE
23	94218-14251	TUBE (180/80-14 TR4)	1	1	1	1	BRIDGESTONE
24	94318-14149	BAND, RIM (4.50-14)	1	1	1	1	BRIDGESTONE
25	15A-25450-10	SPROCKET, DRIVEN (50T)	1	1	1		
	15A-25445-10	SPROCKET, DRIVEN (45T)				1	

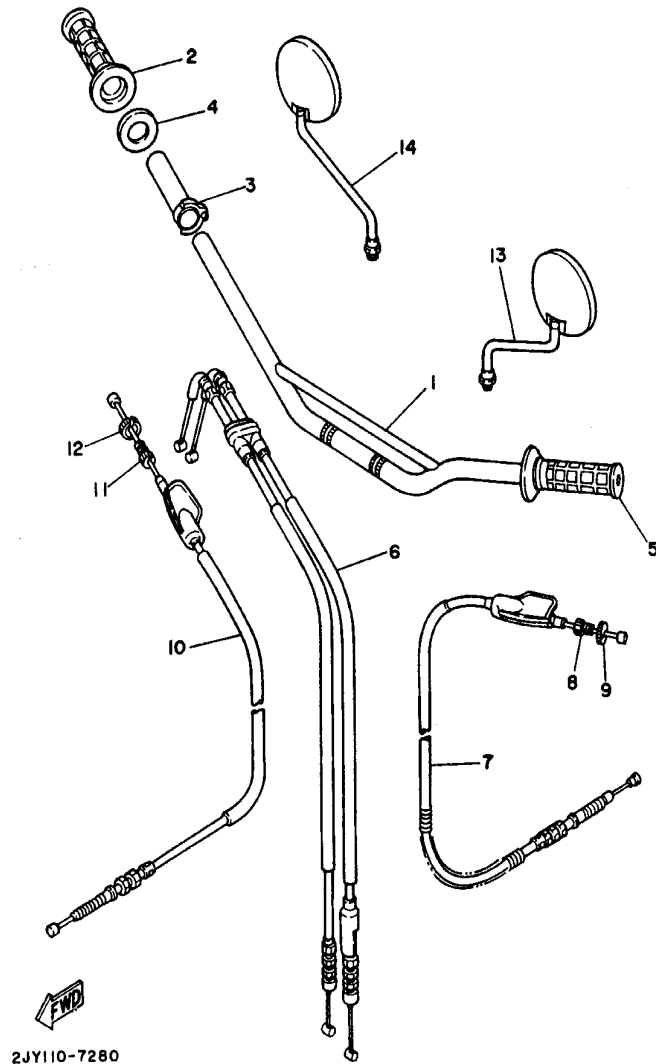
D9




5FY4100-9270

FIG. 27 REAR WHEEL

REF. NO.	PART NO.	DESCRIPTION	5FY2	5FY3	5FY4	3XT9	REMARKS
26	90109-08618	BOLT	6	6	6	6	
27	90185-08089	NUT, SELF-LOCKING	6	6	6	6	
28	90215-08160	WASHER, LOCK	3	3	3	3	
29	90201-086P8	WASHER, PLATE	6	6	6	6	
30	156-25398-00	BALANCER, WHEEL	1	1	1	1	UN
31	90387-171T2	COLLAR	1	1	1	1	
32	36R-25367-00	COVER, HUB DUST	1	1	1	1	
33	3Y1-25388-01	PULLER, CHAIN 1	1	1	1	1	
34	3Y1-25389-00	PULLER, CHAIN 2	1	1	1	1	
35	2JX-25381-00	AXLE, WHEEL	1	1	1	1	
36	90171-16024	NUT, CASTLE	1	1	1	1	
37	91401-30030	PIN, COTTER	1	1	1	1	
38	94580-88122	CHAIN (DID 428HG-122L)	1	1	1		
	94580-88120	CHAIN (DID 428HG-120L)				1	
39	94680-88001	JOINT, CHAIN (DID 428HG)	1	1	1	1	

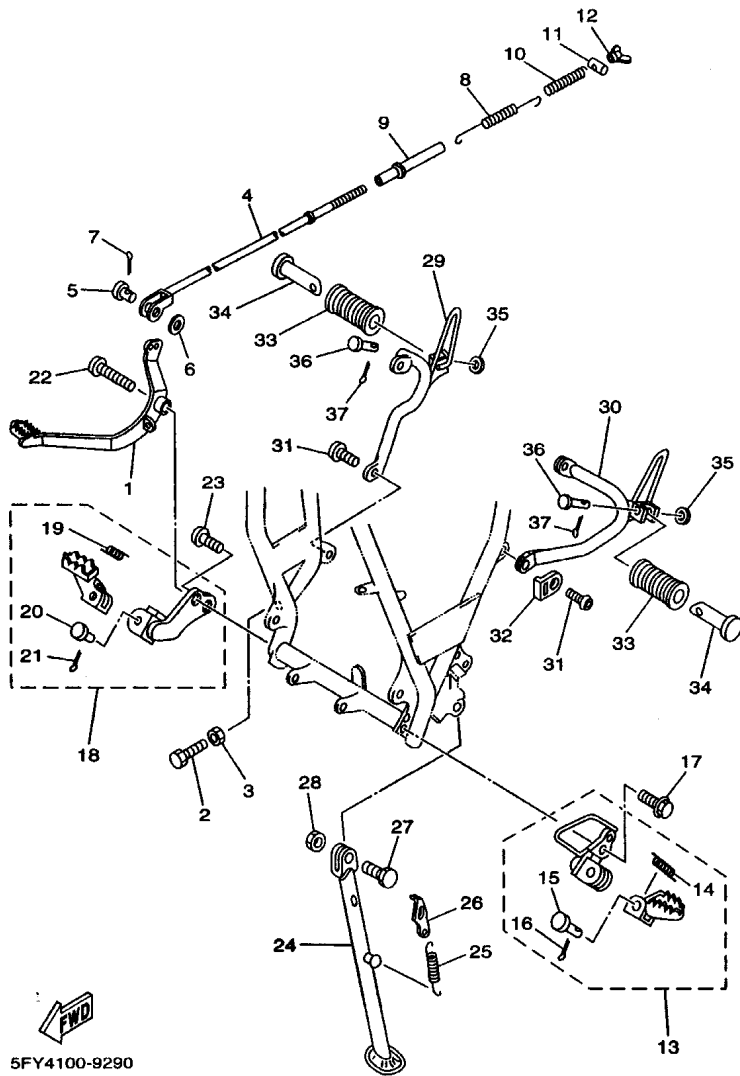


2JY110-7280

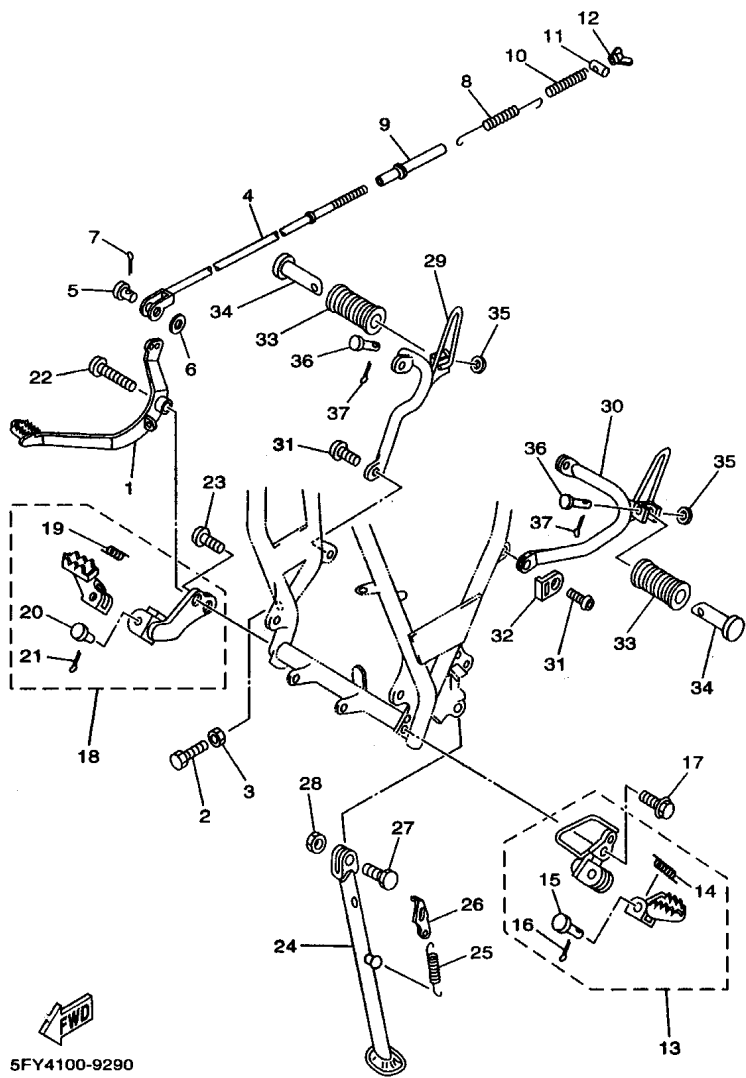
FIG. 28 STEERING HANDLE. CABLE

REF. NO.	PART NO.	DESCRIPTION	SFY2	SFY3	SFY4	3XT9	REMARKS
1	2JX-26111-00	HANDLEBAR	1	1	1	1	
2	1LX-26242-01	GRIP (RIGHT)	1	1	1	1	
3	3Y1-26243-01	TUBE, THROTTLE GUIDE	1	1	1	1	
4	3Y1-26249-00	RING, LEAF	1	1	1	1	
5	1LX-26241-01	GRIP (LEFT)	1	1	1	1	
6	2JX-26302-00	THROTTLE CABLE ASSY	1	1	1	1	
7	1RL-26335-00	CABLE, CLUTCH	1	1	1	1	
8	90123-08046	BOLT	1	1	1	1	
9	90179-08148	NUT	1	1	1	1	
10	2JX-26341-00	CABLE, BRAKE	1	1	1	1	
11	90123-08046	BOLT	1	1	1	1	
12	90179-08148	NUT	1	1	1	1	
13	3Y1-26290-10	BACK MIRROR ASSY (L.H)	1	1	1		
	1Y1-26290-50	BACK MIRROR ASSY (L.H)				1	
14	3Y1-26290-00	BACK MIRROR ASSY (R.H)	1	1	1		
	1Y1-26290-60	BACK MIRROR ASSY (R.H)				1	

FIG. 29 STAND, FOOTREST



REF. NO.	PART NO.	DESCRIPTION	5FY2	5FY3	5FY4	3XT9	REMARKS
1	2JX-27211-00-90	PEDAL, BRAKE	1	1	1	1	ZK
2	97007-06020	BOLT	1	1	1	1	
3	95307-06700	NUT	1	1	1	1	
4	2JX-27231-00	ROD, BRAKE	1	1	1	1	
5	90240-06076	PIN, CLEVIS	1	1	1	1	
6	92907-06200	WASHER	1	1	1	1	
7	91401-20012	PIN, COTTER	1	1	1	1	
8	90506-18289	SPRING, TENSION	1	1	1	1	
9	1M1-27244-00	COVER	1	1	1	1	
10	90501-10245	SPRING, COMPRESSION	1	1	1	1	
11	90249-12008	PIN	1	1	1	1	
12	90175-06013	NUT, WING	1	1	1	1	
13	2JX-27410-00-90	FRONT FOOTREST ASSY (LEFT)	1	1	1	1	ZK
14	90508-20023	.SPRING, TORSION	1	1	1	1	
15	91701-08038	.PIN, CLEVIS	1	1	1	1	
16	91401-25012	.PIN, COTTER	1	1	1	1	
17	95827-12025	BOLT, FLANGE	1	1	1	1	
18	15A-27420-01-90	FRONT FOOTREST ASSY (RIGHT)	1	1	1	1	ZK
19	90508-20023	.SPRING, TORSION	1	1	1	1	
20	91701-08038	.PIN, CLEVIS	1	1	1	1	
21	91401-25012	.PIN, COTTER	1	1	1	1	
22	92017-10035	BOLT, BUTTON HEAD	1	1	1	1	
23	92017-10020	BOLT, BUTTON HEAD	1	1	1	1	
24	2JX-27311-02	STAND, SIDE	1	1	1	1	
25	90506-29360	SPRING, TENSION	1	1	1	1	
26	5Y1-27315-00	LINK, SIDE STAND	1	1	1	1	
27	90109-10473	BOLT	1	1	1	1	



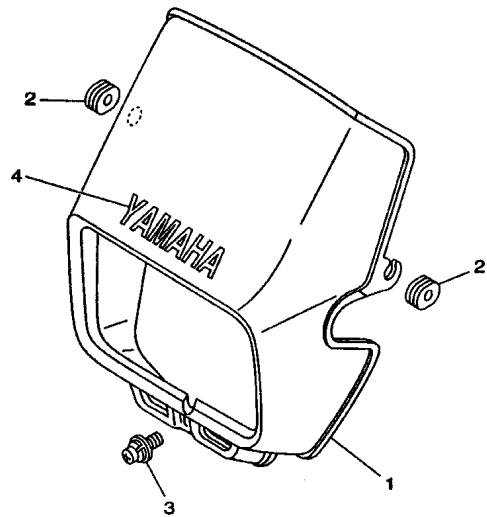
5FY4100-9290

FIG. 29 STAND. FOOTREST

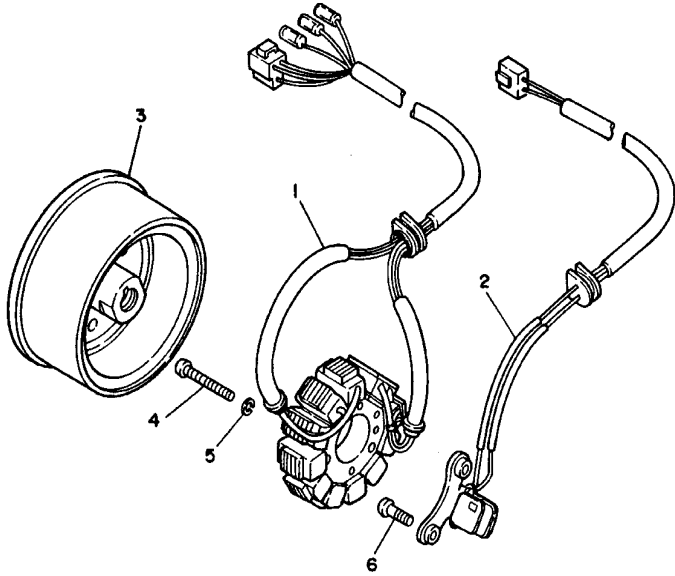
REF. NO.	PART NO.	DESCRIPTION	5FY2	5FY3	5FY4	3XT9	REMARKS
28	90185-10037	NUT, SELF-LOCKING	1	1	1	1	
29	2JX-27442-00-33	BRACKET 2	1	1	1	1	YB
30	26F-27432-00-33	BRACKET 1	1	1	1	1	YB
31	92017-08016	BOLT, BUTTON HEAD	4	4	4	4	
32	2JX-27437-00	WASHER, SPECIAL	1	1	1	1	
33	120-27433-00	COVER, REAR FOOTREST	2	2	2	2	
34	120-27431-00	FOOTREST, REAR 1	2	2	2	2	
35	90201-20279	WASHER, PLATE	2	2	2	2	
36	91701-06032	PIN, CLEVIS	2	2	2	2	
37	91401-20012	PIN, COTTER	2	2	2	2	

FIG. 30 COWLING 1

REF. NO.	PART NO.	DESCRIPTION	5FY2	5FY3	5FY4	3XT9	REMARKS
1	3AW-28351-20	BODY, COWLING	1	1	1	1	
2	90480-12053	GROMMET	2	2	2	2	
3	90159-06060	SCREW, WITH WASHER	1	1	1	1	
4	99247-00100	EMBLEM, YAMAHA	1	1	1	1	



FWD
3AWW100-8300

FIG. 31 GENERATOR

REF. NO.	PART NO.	DESCRIPTION	5FY2	5FY3	5FY4	3XT9	REMARKS
1	2YG-81410-M0	STATOR ASSY	1	1	1	1	
2	2YG-85580-M0	COIL, PULSER	1	1	1	1	
3	2YG-85550-01	ROTOR ASSY	1	1	1	1	
4	98507-05030	SCREW, PAN HEAD	3	3	3	3	
5	92907-05100	WASHER, SPRING	3	3	3	3	
6	98507-06020	SCREW, PAN HEAD	2	2	2	2	


 2YG110-8311

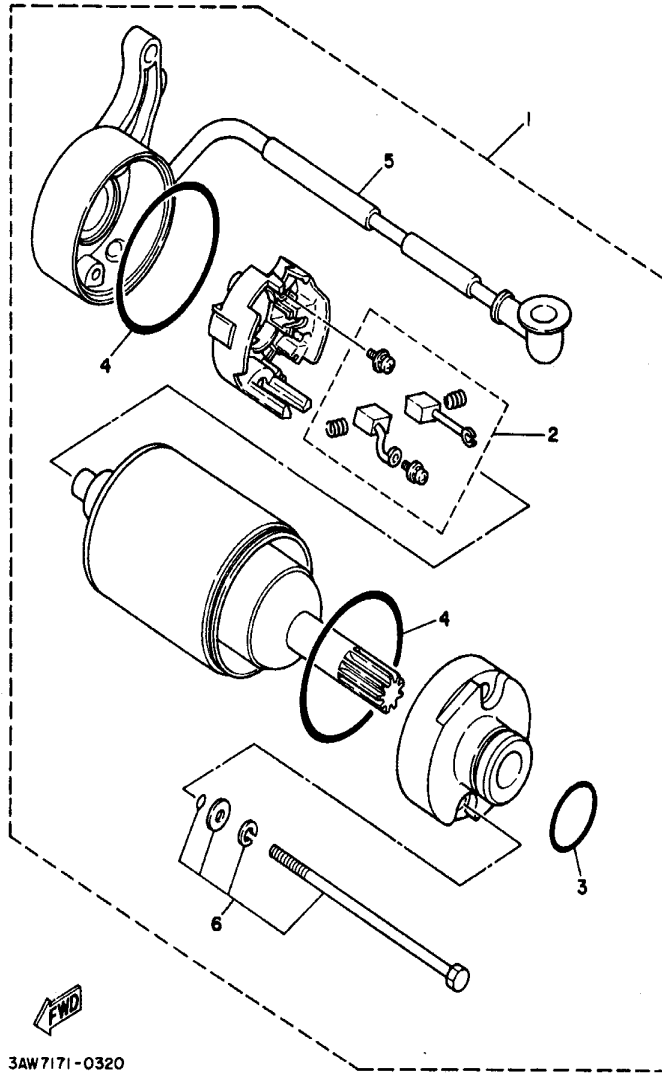
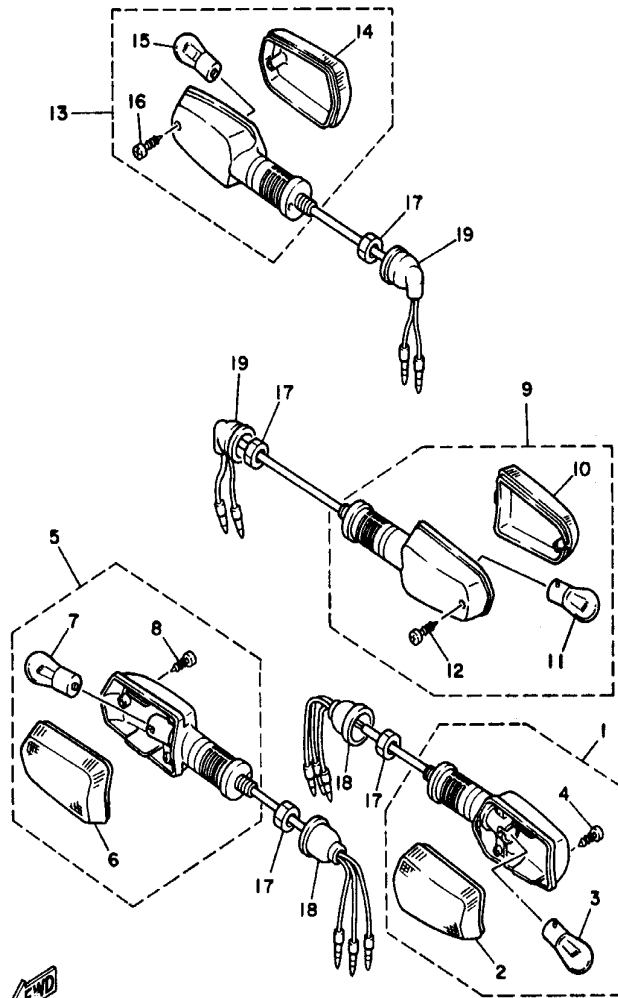


FIG. 32 STARTING MOTOR

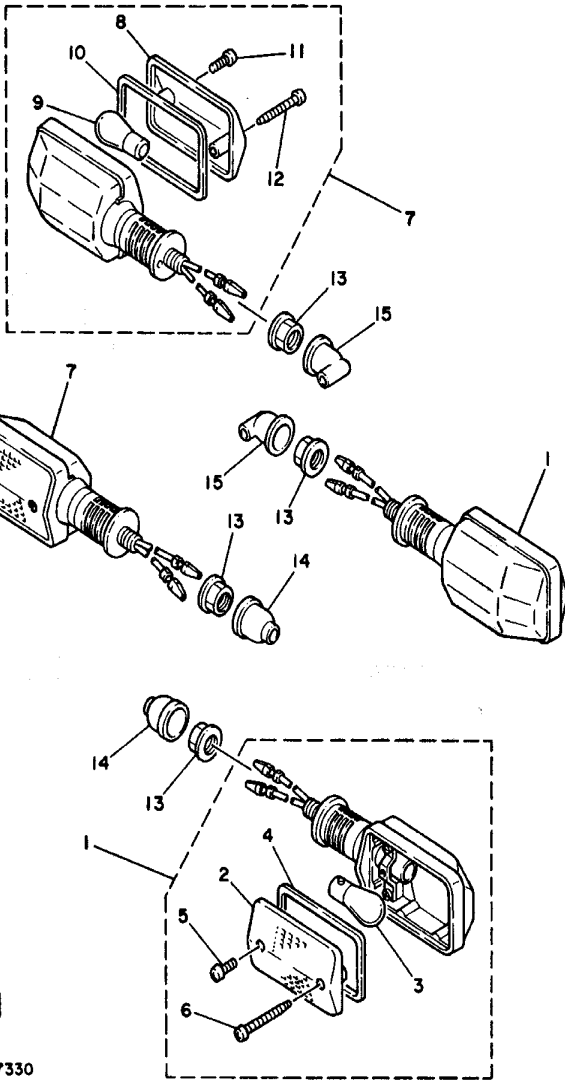
REF. NO.	PART NO.	DESCRIPTION	5FY2	5FY3	5FY4	3XT9	REMARKS
1	3AW-81800-02	STARTING MOTOR ASSY	1	1	1		
	2JX-81800-02	STARTING MOTOR ASSY				1	
2	50M-81801-M0	.BRUSH SET	1	1	1	1	
3	93210-25711	.O-RING	1	1	1	1	
4	93210-55669	.O-RING	2	2	2	2	
5	2JX-8183G-M0	.CORD COMP.	1	1	1		
	2JX-8183G-10	.CORD COMP.				1	
6	59V-81828-M0	.SCREW SET	2	2	2	2	

FIG. 33 FLASHER LIGHT




2YG110-8330

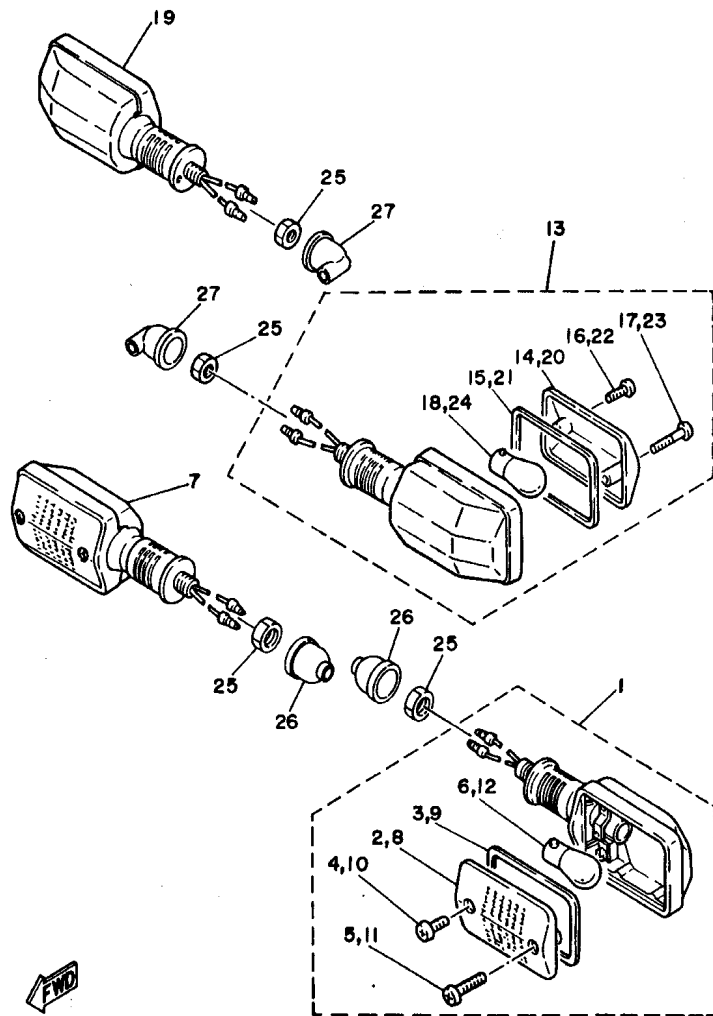
REF. NO.	PART NO.	DESCRIPTION	5FY2	5FY3	5FY4	3XT9	REMARKS
1	1UF-83310-00	FRONT FLASHER LIGHT ASSY 1	1	1			
2	51L-83332-00	.LENS, FLASHER	1	1			
3	256-84714-61	.BULB (12V-27/BW)	1	1			
4	97707-40620	.SCREW, TAPPING	1	1			
5	1UF-83320-00	FRONT FLASHER LIGHT ASSY 2	1	1			
6	51L-83342-00	.LENS, FLASHER 2	1	1			
7	256-84714-61	.BULB (12V-27/BW)	1	1			
8	97707-40620	.SCREW, TAPPING	1	1			
9	1UF-83330-00	REAR FLASHER LIGHT ASSY 1	1	1			
10	51L-83342-00	.LENS, FLASHER 2	1	1			
11	256-83311-70	.BULB (12V-27W)	1	1			
12	97706-40620	.SCREW, TAPPING	1	1			
13	1UF-83340-00	FLASHER LIGHT ASSY 2	1	1			
14	51L-83332-00	.LENS, FLASHER	1	1			
15	256-83311-70	.BULB (12V-27W)	1	1			
16	97706-40620	.SCREW, TAPPING	1	1			
17	95307-12700	NUT	4	4			
18	10V-83365-00	CAP	2	2			
19	18G-83365-00	CAP	2	2			




 2JY110-7330

FIG. 34 FLASHER LIGHT 2

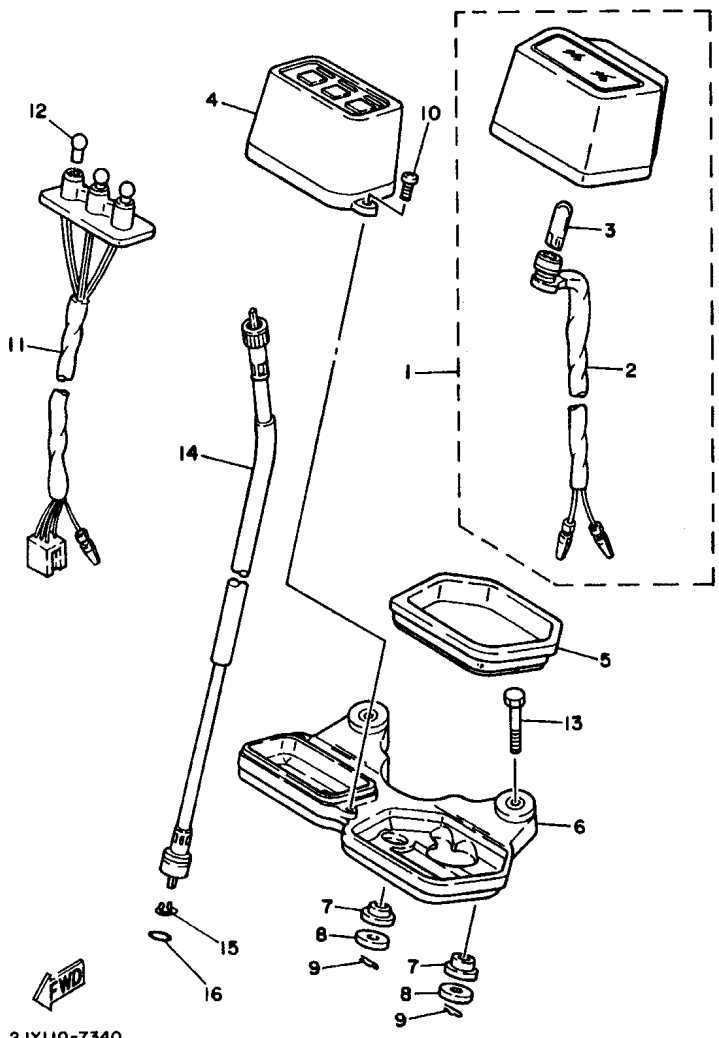
REF. NO.	PART NO.	DESCRIPTION	SFY2	SFY3	SFY4	3XT9	REMARKS
1	5Y1-83310-70	FRONT FLASHER LIGHT ASSY 1				2	
2	5Y1-83312-00	.LENS, FLASHER			1		
3	256-83311-70	.BULB (12V-27W)			1		
4	5Y1-83313-00	.GASKET, FLASHER LENS			1		
5	98502-04010	.SCREW, PAN HEAD			1		
6	97702-40530	.SCREW, TAPPING			1		
7	5Y1-83310-70	FRONT FLASHER LIGHT ASSY 1			2		
8	5Y1-83312-00	.LENS, FLASHER			1		
9	256-83311-70	.BULB (12V-27W)			1		
10	5Y1-83313-00	.GASKET, FLASHER LENS			1		
11	98502-04010	.SCREW, PAN HEAD			1		
12	97702-40530	.SCREW, TAPPING			1		
13	95307-12700	NUT			4		
14	10V-83365-00	CAP			2		
15	18G-83365-00	CAP			2		



FWD
3XT3700-2330

FIG. 35 FLASHER RIGHT 3

REF. NO.	PART NO.	DESCRIPTION	5FY2	5FY3	5FY4	3XT9	REMARKS
1	5Y3-83310-21	FRONT FLASHER LIGHT ASSY 1				1	
2	5Y1-83312-00	.LENS, FLASHER				1	
3	5Y1-83313-00	.GASKET, FLASHER LENS				1	
4	98501-04012	.SCREW, PAN HEAD				1	
5	97702-40630	.SCREW, TAPPING				1	
6	306-83311-40	.BULB, FLASHER (12V-21W)				1	
7	5Y3-83320-21	FRONT FLASHER LIGHT ASSY 2				1	
8	5Y1-83312-00	.LENS, FLASHER				1	
9	5Y1-83313-00	.GASKET, FLASHER LENS				1	
10	98502-04012	.SCREW, PAN HEAD				1	
11	97702-40630	.SCREW, TAPPING				1	
12	306-83311-40	.BULB, FLASHER (12V-21W)				1	
13	5Y3-83330-41	REAR FLASHER LIGHT ASSY 1				1	
14	5Y3-83312-00	.LENS, FLASHER				1	
15	5Y1-83313-00	.GASKET, FLASHER LENS				1	
16	98502-04012	.SCREW, PAN HEAD				1	
17	97702-40630	.SCREW, TAPPING				1	
18	306-83311-40	.BULB, FLASHER (12V-21W)				1	
19	5Y3-83340-41	FLASHER LIGHT ASSY 2				1	
20	5Y3-83312-00	.LENS, FLASHER				1	
21	5Y1-83313-00	.GASKET, FLASHER LENS				1	
22	98502-04012	.SCREW, PAN HEAD				1	
23	97702-40630	.SCREW, TAPPING				1	
24	306-83311-40	.BULB, FLASHER (12V-21W)				1	
25	95307-12700	NUT				4	
26	10V-83365-00	CAP				2	
27	18G-83365-00	CAP				2	

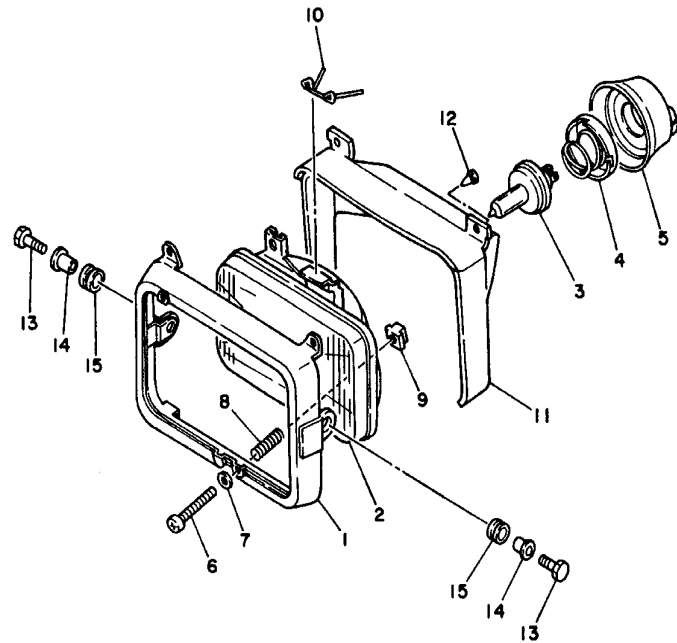


2JY110-7340

FIG. 36 METER

REF. NO.	PART NO.	DESCRIPTION	5FY2	5FY3	5FY4	3XT9	REMARKS
1	2JX-83510-A0	SPEEDOMETER ASSY	1	1			
	2KA-83510-F0	SPEEDOMETER ASSY			1	1	
2	2JX-83536-A0	.SOCKET, METER	1	1	1	1	
3	4G1-84744-00	.BULB (12V-3.4W)	1	1			
	4R0-83517-00	.BULB (12V-3.4W T10)			1	1	
4	15A-83568-00	PILOT BOX, UPPER	1	1	1	1	
5	5Y1-83513-00	DAMPER	1	1	1	1	
6	15A-83519-00	BRACKET, METER	1	1	1	1	
7	1M1-83528-00	DAMPER 2	2	2	2	2	
8	90201-05033	WASHER, PLATE	2	2	2	2	
9	90468-10050	CLIP	2	2	2	2	
10	90164-04008	SCREW, TAPPING	2	2	2	2	
11	15A-83509-00	SOCKET CORD ASSY	1	1	1	1	
12	123-83516-21	BULB (12V-3.4W)	3	3	3	3	
13	95807-06040	BOLT, FLANGE	2	2	2	2	
14	3R9-83550-00	SPEEDOMETER CABLE ASSY	1	1	1	1	
15	102-25137-00	RING, STOP	1	1	1	1	
16	93210-14104	O-RING	1	1	1	1	

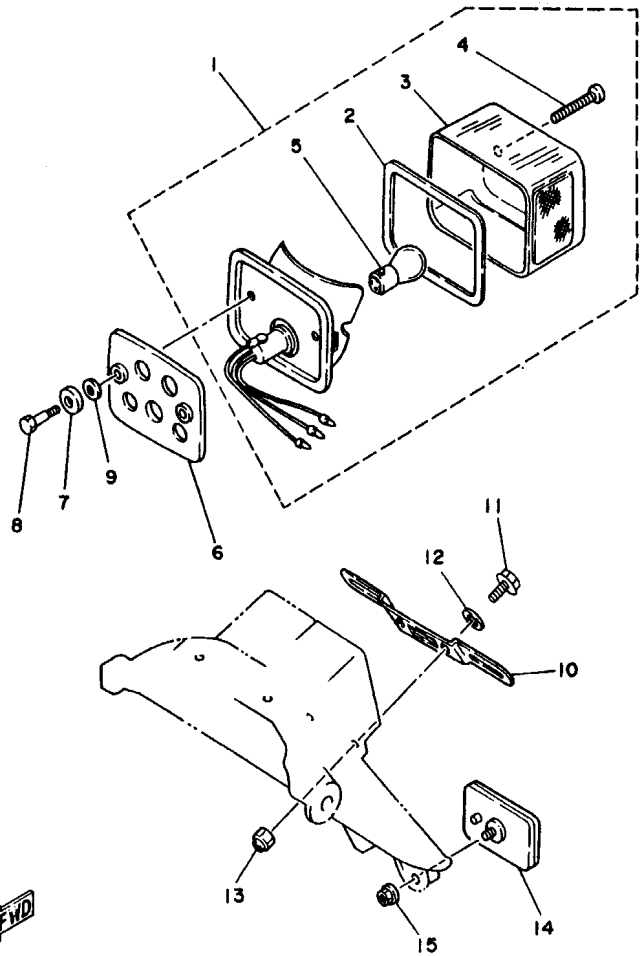
FIG. 37 HEADLIGHT




2JY110-7350

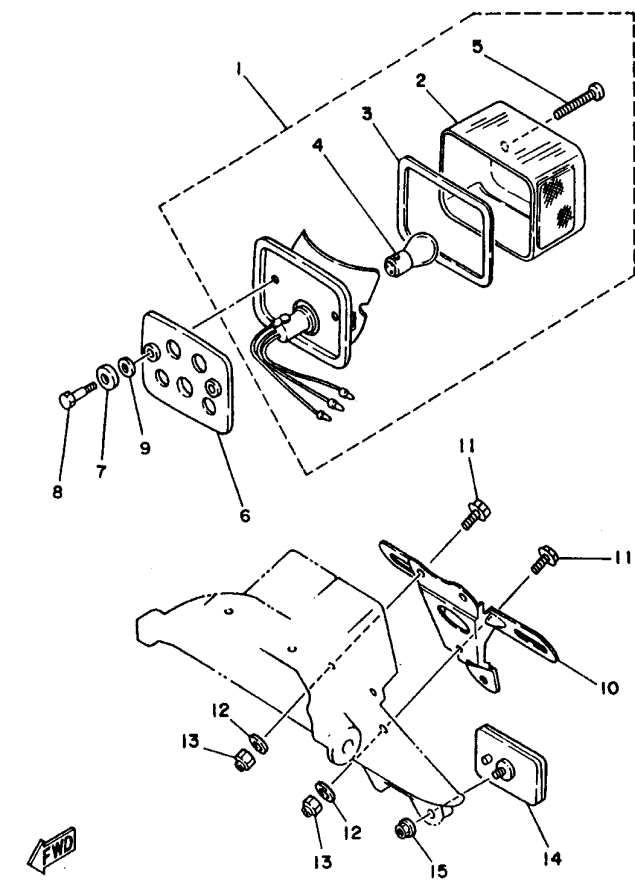
REF. NO.	PART NO.	DESCRIPTION	5FY2	5FY3	5FY4	3XT9	REMARKS
1	47J-84115-00	RIM, HEADLIGHT	1	1	1	1	
2	2JX-84320-A0	LENS ASSY	1	1	1	1	
3	*	BULB (12V-35/35W)	1	1	1	1	LM HALOGEN
4	2F9-84375-00	SETTING PLATE, BULB	1	1	1	1	
5	2F9-84397-01	COVER, SOCKET	1	1	1	1	
6	43F-84131-00	SCREW, RIM ADJUSTER	2	2	2	2	
7	233-84127-60	WASHER, SPECIAL	2	2	2	2	
8	5G2-84332-60	SPRING, SCREW	2	2	2	2	
9	198-84334-60	NUT, ADJUSTING	2	2	2	2	
10	5G2-84324-A0	SPRING, REFLECTOR	1	1	1	1	
11	30X-84196-00	COVER, SOCKET	1	1	1	1	
12	10V-84198-00	CLIP, COVER FITTING	2	2	2	2	
13	97007-06025	BOLT	2	2	2	2	
14	90387-063E6	COLLAR	2	2	2	2	
15	90480-14023	GROMMET	2	2	2	2	

FIG. 38 TAILLIGHT



FWD
3AWT100-7380

REF. NO.	PART NO.	DESCRIPTION	5FY2	5FY3	5FY4	3XT9	REMARKS
1	1W9-84710-61	TAILLIGHT UNIT ASSY	1	1	1		
2	1M1-84523-60	.GASKET, LENS	1	1	1		
3	1M1-84521-60	.LENS, TAILLIGHT	1	1	1		
4	1M1-84524-60	.SCREW, LENS FITTING	2	2	2		
5	256-84714-61	.BULB (12V-27/8W)	1	1	1		
6	4L0-84753-00	DAMPER	1	1	1		
7	90209-08125	WASHER	2	2	2		
8	90109-06005	BOLT	2	2	2		
9	90201-083A0	WASHER, PLATE	2	2	2		
10	36A-84551-00	BRACKET, LICENCE	1	1	1		
11	95807-06016	BOLT, FLANGE	2	2	2		
12	90201-06557	WASHER, PLATE	2	2	2		
13	95607-06100	NUT, U	2	2	2		
14	3G1-85130-01	REAR REFLECTOR ASSY	1	1	1		
15	95707-05500	NUT, FLANGE	1	1	1		

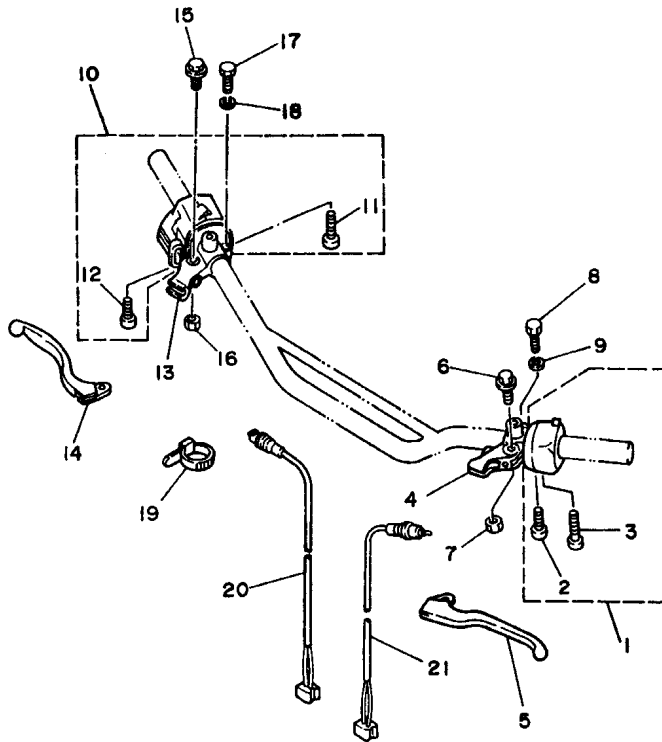


3AWT100-7390

FIG. 39 TAILLIGHT 2

REF. NO.	PART NO.	DESCRIPTION	5FY2	5FY3	5FY4	3XT9	REMARKS
1	56U-84710-41	TAILLIGHT UNIT ASSY				1	
2	1M8-84521-40	.LENS, TAILLIGHT				1	
3	1M1-84523-60	.GASKET, LENS				1	
4	1A2-84714-41	.BULB (12V-21/5W)				1	
5	1M1-84524-60	.SCREW, LENS FITTING				2	
6	4L0-84753-00	DAMPER				1	
7	90209-08125	WASHER				2	
8	90109-06005	BOLT				2	
9	90201-083A0	WASHER, PLATE				2	
10	2JL-21685-00	BRACKET, LICENSE				1	
11	95807-06016	BOLT, FLANGE				3	
12	90201-08557	WASHER, PLATE				3	
13	95607-06100	NUT, U				3	
14	4KM-85130-00	REAR REFLECTOR ASSY				1	
15	95707-05500	NUT, FLANGE				1	

FIG. 40 HANDLE SWITCH. LEVER

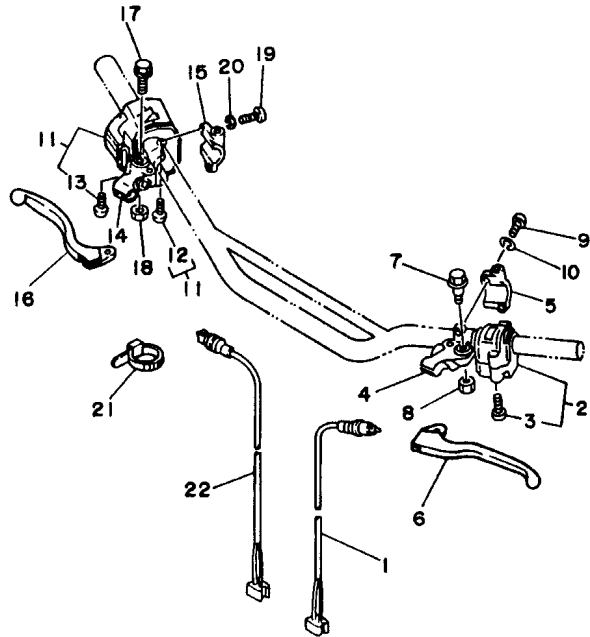


REF. NO.	PART NO.	DESCRIPTION	5FY2	5FY3	5FY4	3XT8	REMARKS
1	2JX-83973-01	SWITCH, HANDLE 3	1	1	1		
2	98506-05022	.SCREW, PAN HEAD	1	1	1		
3	98506-05030	.SCREW, PAN HEAD	1	1	1		
4	3Y6-82911-00	HOLDER, LEVER 1	1	1	1		
5	4GY-83912-00	LEVER 1	1	1	1		
6	90109-06799	BOLT	1	1	1		
7	95607-06100	NUT, U	1	1	1		
8	97007-06022	BOLT	1	1	1		
9	92907-06100	WASHER, SPRING	1	1	1		
10	2JX-83976-00	SWITCH, HANDLE 1	1	1	1		
11	98506-05035	.SCREW, PAN HEAD	1	1	1		
12	98506-05020	.SCREW, PAN HEAD	1	1	1		
13	361-82921-31	HOLDER, LEVER 2	1	1	1		
14	23X-83922-00	LEVER 2	1	1	1		
15	90109-06799	BOLT	1	1	1		
16	95607-06100	NUT, U	1	1	1		
17	97007-06022	BOLT	1	1	1		
18	92907-06100	WASHER, SPRING	1	1	1		
19	437-83936-01	BAND, SWITCH CORD	4	4	4		
20	5H0-83980-00	FRONT STOP SWITCH ASSY	1	1	1		
21	5H0-82917-00	SWITCH	1	1	1		



3AW3110-9370

FIG. 41 HANDLE SWITCH. LEVER 2



REF. NO.	PART NO.	DESCRIPTION	5FY2	5FY3	5FY4	3XT9	REMARKS
1	5H0-82917-00	SWITCH				1	
2	3FW-83973-00	SWITCH, HANDLE 3				1	
3	98506-06030	.SCREW, PAN HEAD				2	
4	1LN-82911-00	HOLDER, LEVER 1				1	
5	33G-82913-01	HOLDER, LEVER LOWER 1				1	
6	4GY-83912-00	LEVER 1				1	
7	90109-06799	BOLT				1	
8	95607-06100	NUT, U				1	
9	98507-05020	SCREW, PAN HEAD				2	
10	92907-05100	WASHER, SPRING				2	
11	2JX-83976-00	SWITCH, HANDLE 1				1	
12	98506-05035	.SCREW, PAN HEAD				1	
13	98506-05020	.SCREW, PAN HEAD				1	
14	33G-82921-00	HOLDER, LEVER 2				1	
15	33G-82923-01	HOLDER, LEVER LOWER				1	
16	23X-83922-00	LEVER 2				1	
17	90109-06799	BOLT				1	
18	95607-06100	NUT, U				1	
19	98507-05020	SCREW, PAN HEAD				1	
20	92907-05100	WASHER, SPRING				1	
21	437-83936-01	BAND, SWITCH CORD				4	
22	5H0-83980-00	FRONT STOP SWITCH ASSY				1	



3XT3700-2370

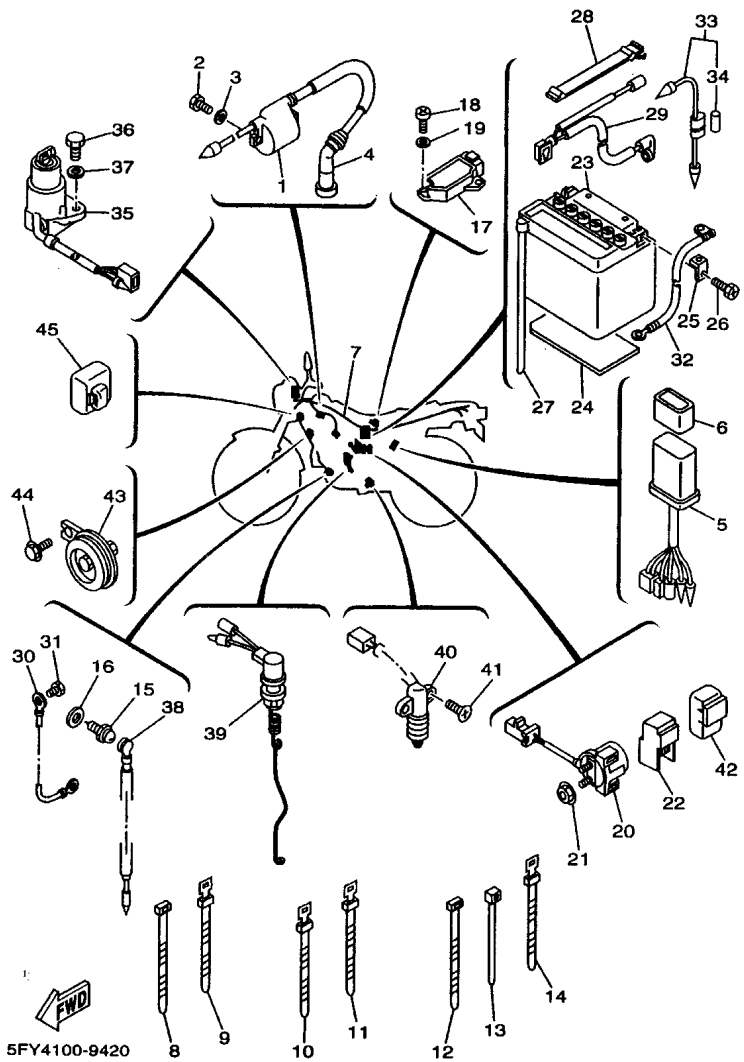


FIG. 42 ELECTRICAL 1

REF. NO.	PART NO.	DESCRIPTION	5FY2	5FY3	5FY4	3XT9	REMARKS
1	4KJ-82310-10	IGNITION COIL ASSY	1	1	1	1	
2	97007-06020	BOLT	2	2	2	2	
3	92907-06100	WASHER, SPRING	2	2	2	2	
4	1UY-82370-20	PLUG CAP ASSY	1	1	1	1	
5	2YG-85540-10	C.D.I. UNIT ASSY	1	1	1	1	
<hr/>							
6	34X-85546-00	BAND	1	1	1	1	
7	2YG-82590-10	WIRE HARNESS ASSY	1	1	1		
	3XT-82590-10	WIRE HARNESS ASSY				1	
8	437-83936-11	BAND, SWITCH CORD	1	1	1	1	
9	25G-83936-01	BAND, SWITCH CORD	1	1	1	1	
<hr/>							
10	437-83936-01	BAND, SWITCH CORD	1	1	1	1	
11	437-83936-01	BAND, SWITCH CORD	1	1	1	1	
12	3TB-83936-00	BAND, SWITCH CORD	1	1	1	1	
13	90465-13152	CLAMP	2	2	2	2	
14	437-83936-01	BAND, SWITCH CORD	1	1	1	1	
<hr/>							
15	4KM-82540-00	NEUTRAL SWITCH ASSY	1	1	1	1	
16	90430-10148	GASKET	1	1	1	1	
17	47X-81960-A3	RECTIFIER & REGULATOR ASSY	1	1	1	1	
18	98507-06016	SCREW, PAN HEAD	2	2	2	2	
19	92907-06600	WASHER, PLATE	2	2	2	2	
<hr/>							
20	3AY-81940-00	STARTER RELAY ASSY	1	1	1	1	
21	95707-06500	NUT, FLANGE	2	2	2	2	
22	1RL-81950-92	RELAY ASSY	1	1	1	1	
23	1JE-82110-61	BATTERY ASSY (GM7CZ-3D)	1	1	1	1	GS
24	51Y-82122-00	SEAT, BATTERY	1	1	1	1	
<hr/>							
25	2JX-82103-00	TERMINAL 1	2	2	2	2	
26	90153-06032	SCREW, HEXAGON	2	2	2	2	

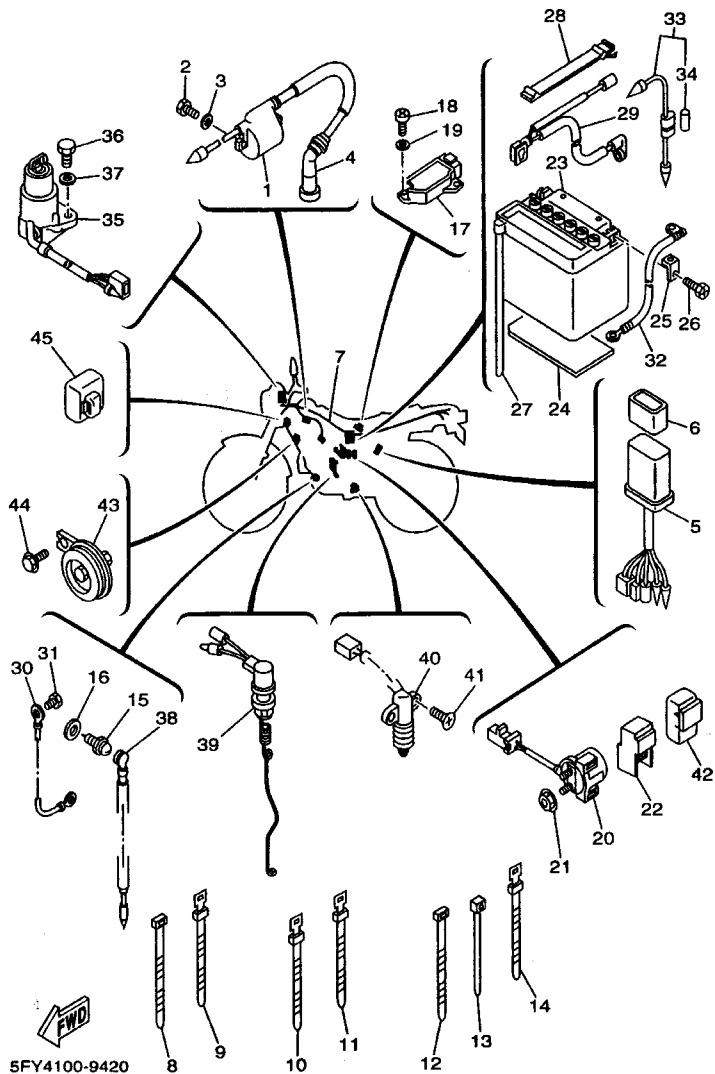


FIG. 42 ELECTRICAL 1

REF. NO.	PART NO.	DESCRIPTION	5FY2	5FY3	5FY4	3XT9	REMARKS
27	90445-082F3	HOSE	1	1	1	1	
28	18G-82131-00	BAND, BATTERY	1	1	1	1	
29	2JX-82115-00	WIRE, PLUS LEAD	1	1	1	1	
30	5H0-82116-00	WIRE, MINUS LEAD	1	1	1	1	
31	90109-06557	BOLT	1	1	1	1	
32	2JX-82116-00	WIRE, MINUS LEAD	1	1	1	1	
33	2TV-82150-02	FUSE HOLDER ASSY	1	1	1	1	
34	4X7-82151-00	.FUSE (15A)	1	1	1	1	
35	2GK-82501-01	MAIN SWITCH STEERING LOCK	1	1	1	1	
36	97007-06016	BOLT	2	2	2	2	
37	92907-06600	WASHER, PLATE	2	2	2	2	
38	2JX-82541-00	WIRE, LEAD	1	1	1	1	
39	2JX-82530-02	STOP SWITCH ASSY	1	1	1	1	
40	1VJ-82566-00	SWITCH, SIDE STAND	1	1	1	1	
41	90152-05021	SCREW, COUNTERSUNK	2	2	2	2	
42	29U-81950-93	RELAY ASSY	1	1	1	1	
43	1HX-83371-00	HORN	1	1	1	1	
44	95807-06010	BOLT, FLANGE	1	1	1	1	
45	30X-83350-20	FLASHER RELAY ASSY	1	1	1		
	34L-83350-20	FLASHER RELAY ASSY				1	

NUMERICAL INDEX

PARTNO.	GRID NO.	PARTNO.	GRID NO.	PARTNO.	GRID NO.	PARTNO.	GRID NO.	PARTNO.	GRID NO.	PARTNO.	GRID NO.
2JL-W2536-10	D - 9	5H0-12231-00	B - 7	2JX-14411-00	B - 9	15A-15660-01	B - 15	1RL-21471-00-35	C - 9	22U-23118-01	D - 3
3LS-W2536-00	D - 7	3Y1-12232-00	B - 7	2JX-14412-00	B - 9	15A-15666-00	B - 15	34L-21485-00	C - 9	51Y-23125-00	D - 2
5H0-1111F-00	B - 2	5N0-12241-00	B - 7	2JX-14422-00	B - 9	401-15676-00	B - 15	3AW-21511-20	C - 11	2JX-23126-00	D - 2
15A-11110-03	B - 2	5H0-13300-02	B - 8	34X-1443E-00	B - 9	5H0-16111-00	C - 3	2JX-21512-00	C - 11	2JX-23136-00	D - 2
5H0-11133-11	B - 2	5H0-13326-01	B - 8	2JL-14437-00	B - 9	15A-16150-00	C - 3	1A8-21518-00	C - 11	2JL-23141-00	D - 2
15A-11161-01	B - 3	4BE-13329-00	B - 8	2JX-14437-00	B - 9	5H0-16154-00	C - 3	3AW-21611-20	C - 11		D - 3
15A-11162-00	B - 3	51Y-13411-00	B - 8	2JX-14451-00	B - 9	537-16321-00	C - 3	4G0-21639-00	C - 11	2JX-23141-00	D - 2
5H0-11162-00	B - 3	5H0-13440-00	B - 8	2JX-14452-00	B - 9	137-16324-00	C - 3	5A8-21639-00	C - 11		D - 3
3Y1-11166-00	B - 13	15A-13447-00	B - 8	2JX-14453-00	B - 9	5H0-16351-00	C - 3	2JX-21641-00	C - 11	583-23142-MO	D - 2
371-11167-01	B - 13	3AW-13447-00	B - 8	5J8-14457-00	B - 9	2JX-16356-00	C - 3	3AW-2165A-50	C - 11		D - 3
1NU-11181-00	B - 2	1HX-13575-00	B - 9	2JX-14458-00	B - 9	5H0-16357-00	C - 3	2JX-21651-00	C - 11	54G-23144-00	D - 2
15A-11185-00	B - 2	2JX-13588-00	B - 9	5Y1-14572-00	B - 11	1W1-16358-01	C - 3	2JX-21669-00	C - 11	22W-23145-L0	D - 2
15A-11186-00	B - 2	3WP-14103-00	B - 11	2JX-14611-01	B - 12	2JX-16371-00	C - 3	2JL-21685-00	E - 9	22W-23153-L0	D - 2
15A-11187-00	B - 2	30X-14105-00	B - 10	5H0-14612-00	B - 12	15A-16380-00	C - 3	2JX-21685-00	C - 11	509-23158-L0	D - 2
21V-11310-00	B - 3	2JX-14107-00	B - 10	4BE-14613-00	B - 12	15A-17121-00	C - 5	34X-21691-00	C - 11		D - 3
4BD-11351-00	B - 3	5H0-14126-00	B - 11	54G-14628-01	B - 12	5H0-17121-01	C - 5	3AW-21711-20-0X	C - 12	2JX-23170-00	D - 2
5H0-11400-01	B - 4	2JX-14148-00	B - 11	2JL-14711-01	B - 12	15A-17141-00	C - 5	3AW-21721-20-0X	C - 12		D - 3
5H0-11412-09	B - 4	2JX-14149-00	B - 11	2JX-14711-00	B - 12	15A-17151-00	C - 5	2JX-2177A-00	C - 12	39K-23173-00	D - 2
5H0-11422-00	B - 4	1KH-14153-00	B - 10	3YF-14714-00	B - 12	15A-17211-01	C - 5	3AW-21782-90	C - 12		D - 3
15A-11454-00	B - 4	2JX-14159-00	B - 11	2JX-14728-00	B - 12	15A-17221-00	C - 5	5FY-2179N-00	C - 12	2JX-23174-00	C - 15
5H0-11496-00	B - 4	2JX-14193-00	B - 11	1RH-14752-01	B - 12	15A-17231-00	C - 5	5FY-2179V-00	C - 12	278-23181-50	D - 2
5H0-11531-00	B - 4	56R-14196-00	B - 11	4BD-14766-00	B - 12	15A-17241-00	C - 5	2JX-22110-00-35	C - 13		D - 3
5H0-11536-00	B - 4	1WN-14197-00	B - 11	5Y1-1490A-00	B - 11	15A-17251-00	C - 5	2JX-22123-00	C - 13	2JX-23191-20	D - 3
15A-11603-00	B - 4	34K-14197-00	B - 11	2JL-1490J-00	B - 10	2JX-17402-00	C - 5	2JX-22124-00	C - 13	2K5-23192-00	D - 3
15A-11605-00	B - 4	5Y1-14197-00	B - 11	2JX-1490J-00	B - 10	15A-17411-01	C - 5	401-22127-00	C - 13	1W4-23194-L0	D - 3
15A-11607-00	B - 4	30X-14198-00	B - 10	5H0-14991-00	B - 11	2JX-17456-00	C - 5	401-22128-01	C - 13	3R1-23317-00	C - 15
36X-11631-00-A0	B - 4	5Y1-14216-00	B - 11	1RL-15100-03	B - 13	2JX-17471-00	C - 6	30X-22129-00	C - 14	5Y1-23317-00	D - 3
15A-11633-00	B - 4	1LN-14291-00	B - 10	3AW-15100-02	B - 13	1RL-18110-00	C - 8	2JX-22141-00	C - 13	3Y1-23319-00	C - 15
36X-11636-00	B - 4	2JL-14301-01	B - 10	5H0-15351-00	B - 8	132-18113-01	C - 8	34X-22151-01	C - 13	2JX-23340-00	D - 3
36X-11638-00	B - 4	2JX-14301-01	B - 10	3Y1-15361-00	B - 14	5H0-18120-02	C - 8	3AW-22180-50	C - 13	3LY-23340-00	D - 3
15A-11651-00	B - 4	2JY-14301-01	B - 10	3Y1-15363-00	B - 14	1RH-18140-00	C - 7	36V-22199-00	C - 13	156-23411-00	D - 3
5H0-11681-00	B - 4	2JX-14312-28	B - 10	2JX-15377-00	B - 14	1RH-18185-00	C - 7	3AW-22210-00-P0	C - 14	22F-23411-01	C - 15
5H0-12111-01	B - 6	2JX-14312-35	B - 10	2YG-15410-00	B - 14	4JG-18511-00	C - 7	3AW-22210-10-P0	C - 14	156-23412-00	C - 15
11H-12113-00	B - 6	14T-14323-00	B - 11	3AW-15410-00	B - 14	4JG-18512-01	C - 7	3XT-22210-20-P0	C - 14	22F-23412-01	C - 15
11H-12114-00	B - 6	2JL-14341-00	B - 10	15A-15431-01	B - 14	4JG-18513-00	C - 7	1M1-22216-00	C - 14	122-23416-00	C - 15
4G0-12116-01	B - 6	2JX-14341-00	B - 10	3AW-15431-01	B - 14	3GX-18531-00	C - 7	34X-22311-00	C - 13	2JX-23435-00-35	C - 15
4G0-12117-00	B - 6	43F-14342-19	B - 10	15A-15441-00	B - 3	3GX-18535-00	C - 7	2JL-23102-00	D - 2	1E6-23441-10-35	C - 15
4G0-12118-00	B - 6	43F-14342-20	B - 10	3AW-15451-03	B - 14	5N0-18540-00	C - 7	2JX-23102-00	D - 2	30X-23445-00	C - 15
5H0-12119-00	B - 6	288-14343-57	B - 10	4BE-15482-00	B - 14	136-18542-00	C - 7	2JL-23103-00	D - 2	164-23462-00	D - 3
5H0-12121-01	B - 6	288-14343-58	B - 10	2HT-15512-00	B - 15	2YG-21110-00-35	C - 9	2JX-23103-00	D - 2	134-23464-10	C - 15
5H0-12146-00	B - 6	54G-14348-01	B - 11	5H0-15517-00	B - 15	3AW-21110-00-35	C - 9	2JX-23110-00	D - 2	2JX-24110-00-X8	D - 4
36X-12151-00	B - 6	30X-14358-00	B - 11	5H0-15521-00	B - 15	3LY-21110-00-35	C - 9	2JN-23111-00	D - 2	2JY-24110-00-W1	D - 4
5H0-12156-00	B - 6	2JL-14371-00	B - 11	4H7-15580-10	B - 15	2JX-21190-00-35	C - 9		D - 3	2JX-24141-00	D - 5
2NX-12159-00	B - 6	51Y-14371-01	B - 11	1J7-15583-01	C - 2	4R8-21308-00	C - 9	3J2-23114-00	D - 2	4BE-24170-00	D - 4
36X-12171-00	B - 7	30X-14384-00	B - 10	54G-15620-00	B - 15	2JX-21315-00	C - 9		D - 3	20K-24180-00	D - 4
1KH-12176-00	B - 7	2JN-14385-00	B - 10	54G-15621-00	B - 15	1RL-21316-00-35	C - 9	2JL-23118-00	D - 2	22W-24181-00	B - 12
3Y1-12212-00	B - 7	689-14386-00	B - 10	36X-15641-00	B - 15	2JX-21316-00-35	C - 9		D - 3	4L0-24181-00	D - 4
25A-12217-00	B - 7	2JX-14396-00	B - 11	15A-15651-01	B - 15	1RL-21337-00	C - 9	22U-23118-01	D - 2	30X-24182-01	D - 4

M1

NUMERICAL INDEX

PARTNO.	GRID NO.	PARTNO.	GRID NO.	PARTNO.	GRID NO.	PARTNO.	GRID NO.	PARTNO.	GRID NO.	PARTNO.	GRID NO.
30X-24183-01	D-4	15A-25445-10	D-9	18G-82131-00	E-13	1HX-83371-00	E-13	1A2-84714-41	E-9	90154-05004	C-11
30X-24186-01	D-4	15A-25450-10	D-9	3TJ-82131-00	C-10	15A-83509-00	E-6	256-84714-61	E-3	90154-05005	B-9
30X-24187-00	D-4	2JX-26111-00	D-11	2TV-82150-02	E-13	2JX-83510-A0	E-6		E-8	90154-05013	C-12
3AW-24240-60	D-4	1LX-26241-01	D-11	4X7-82151-00	E-13	2KA-83510-F0	E-6	4G1-84744-00	E-6	90159-05011	C-3
23F-24500-01	D-4	1LX-26242-01	D-11	4KJ-82310-10	E-12	5Y1-83513-00	E-6	4L0-84753-00	E-8	90159-06060	D-14
360-24512-00	B-10	3Y1-26243-01	D-11	1UY-82370-20	E-12	123-83516-21	E-6		E-9	90164-04008	E-6
4X8-24512-00	D-4	3Y1-26249-00	D-11	2GK-82501-01	E-13	4R0-83517-00	E-6	20G-85110-00	D-3	90170-06128	B-6
3AJ-24523-00	D-4	1Y1-26290-50	D-11	2JX-82530-02	E-13	15A-83519-00	E-6	2JX-85112-00	D-3	90170-14284	B-5
3AJ-24534-00	D-4	1Y1-26290-60	D-11	4KM-82540-00	E-12	1M1-83526-00	E-6	3G1-85130-01	E-8		C-3
48Y-24602-00	D-4	3Y1-26290-00	D-11	2JX-82541-00	E-13	2JX-83536-A0	E-6	4KM-85130-00	E-9	90171-14020	D-8
56R-24602-00	D-4	3Y1-26290-10	D-11	1VJ-82566-00	E-13	3R9-83550-00	E-6	2YG-85540-10	E-12	90171-16024	D-10
18A-24723-00	D-6	2JX-26302-00	D-11	2YG-82590-10	E-12	15A-83568-00	E-6	34X-85546-00	E-12	90175-06013	D-12
2JX-24731-60	D-6	1RL-26335-00	D-11	3XT-82590-10	E-12	4GY-83912-00	E-10	2YG-85550-01	D-15	90179-08148	D-11
2JX-24734-60	D-6	2JX-26341-00	D-11	1LN-82911-00	E-11		E-11	2YG-85580-M0	D-15	90179-08410	D-7
1L9-24741-A0	D-6	341-26397-01	D-5	3Y6-82911-00	E-10	23X-83922-00	E-10	90101-06278	D-9		D-9
2JX-24770-60	D-6	128-27114-00	C-9	33G-82913-01	E-11		E-11		D-7	90179-14298	B-7
2JX-25104-00	D-8	4N0-27114-00	C-9	5H0-82917-00	E-10	25G-83936-01	E-12	90101-10188	B-5	90179-25033	C-15
2JX-2511E-00-35	D-7	2JX-27211-00-90	D-12	33G-82921-00	E-11	3TB-83936-00	E-12	90101-10303	B-7	90185-08055	C-9
5V7-2511E-00-35	D-9	2JX-27231-00	D-12	381-82921-31	E-10	437-83936-01	E-10	90105-08066	C-9	90185-08089	C-9
2JX-25111-00	D-7	1M1-27244-00	D-12	381-82921-01	E-10		E-11	90105-08195	B-2		D-10
152-25115-00	D-9	2JX-27311-02	D-12	33G-82923-31	E-11		E-12	90105-14102	C-15	90185-10037	D-13
2JX-25117-00	D-7	5Y1-27315-00	D-12	1UF-83310-00	E-3	437-83936-11	E-12	90109-06005	E-8	90185-12134	C-13
322-25118-00	D-8	2JX-27410-00-90	D-12	5Y1-83310-70	E-4	2JX-83973-01	E-10		E-9	90201-05033	E-6
3Y1-25121-01-35	D-7	15A-27420-01-90	D-12	5Y3-83310-21	E-5	3FW-83973-00	E-11	90109-06419	B-8	90201-06059	D-6
214-25135-00	D-7	120-27431-00	D-13	256-83311-70	E-3	2JX-83976-00	E-10	90109-06557	E-13	90201-06557	E-8
109-25136-00	D-7	26F-27432-00-33	D-13		E-4		E-11	90109-06799	E-10		E-9
102-25137-00	E-6	120-27433-00	D-13	306-83311-40	E-5	5H0-83980-00	E-10		E-11	90201-07076	D-7
214-25138-00	D-7	2JX-27437-00	D-13	5Y1-83312-00	E-4		E-11	90109-08618	D-10	90201-083A0	E-8
214-25149-01	D-7	2JX-27442-00-33	D-13		E-5	47J-84115-00	E-7	90109-100E2	C-14		E-9
2N3-25155-00	D-9	2JX-28100-00	C-10	5Y3-83312-00	E-5	233-84127-60	E-7	90109-10473	D-12	90201-08326	B-12
3Y1-25155-01	D-7	3AW-28351-20	D-14	5Y1-83313-00	E-4	43F-84131-00	E-7	90119-05059	C-13	90201-08366	C-9
2JX-25181-00	D-8	2YG-81410-M0	D-15		E-5	30X-84196-00	E-7	90119-05062	C-13	90201-086P8	D-10
54G-25185-00	D-7	2JX-81800-02	E-2	1UF-83320-00	E-3	10V-84198-00	E-7	90119-06056	B-9	90201-08609	B-2
	D-9	3AW-81800-02	E-2	5Y3-83320-21	E-5	2JX-84320-A0	E-7		C-11	90201-100E9	C-14
2JX-25304-00	D-9	50M-81801-M0	E-2	1UF-83330-00	E-3	5G2-84324-A0	E-7		C-12	90201-10508	B-5
2JX-25311-00	D-9	59V-81828-M0	E-2	5Y3-83330-41	E-5	5G2-84332-60	E-7	90119-06063	B-9	90201-10591	B-7
183-25315-00	D-7	2JX-8183G-M0	E-2	51L-83332-00	E-3	198-84334-60	E-7		C-11	90201-120E8	C-13
2JX-25321-02-35	D-9	2JX-8183G-10	E-2	1UF-83340-00	E-3	2F9-84375-00	E-7		D-6	90201-12175	C-14
2JX-2533A-00	D-9	3AY-81940-00	E-12	5Y3-83340-41	E-5	2F9-84397-01	E-7	90123-08046	D-11	90201-12588	C-8
3Y6-2533A-01	D-7	1RL-81950-92	E-12	51L-83342-00	E-3	1M1-84521-60	E-8	90149-06011	D-4	90201-15785	D-8
2JX-25336-00	D-9	29U-81950-93	E-13	30X-83350-20	E-13	1M8-84521-40	E-9	90149-08067	C-3	90201-17257	C-5
3Y6-25351-00	D-7	47X-81980-A3	E-12	34L-83350-20	E-13	1M1-84523-60	E-8	90149-14182	B-7	90201-173F4	B-15
	D-9	2JX-82103-00	E-12	10V-83365-00	E-3		E-9	90151-06013	C-7	90201-175F6	B-15
36R-25367-00	D-10	1JE-82110-61	E-12		E-4	1M1-84524-60	E-8	90151-06038	C-9	90201-201E4	B-4
2JX-25381-00	D-10	2JX-82115-00	E-13		E-5		E-9	90152-05021	E-13	90201-20279	D-13
3Y1-25388-01	D-10	2JX-82116-00	E-13	18G-83365-00	E-3	36A-84551-00	E-8	90152-06010	B-15	90201-220J8	C-5
3Y1-25389-00	D-10	5H0-82116-00	E-13		E-4	1W9-84710-61	E-8	90153-06029	B-2	90201-22283	D-7
156-25398-00	D-10	51Y-82122-00	E-12		E-5	56U-84710-41	E-9	90153-06032	E-12	90201-25290	B-15

NUMERICAL INDEX

PARTNO.	GRID NO.	PARTNO.	GRID NO.	PARTNO.	GRID NO.	PARTNO.	GRID NO.	PARTNO.	GRID NO.	PARTNO.	GRID NO.
90202-05191	B- 12	90430-10148	E- 12	91317-06020	B- 9	93104-07003	D- 7	93604-20156	C- 7	95817-08016	B- 12
90202-05193	D- 4	90430-14131	B- 2		B- 12	93105-47007	D- 7	93605-10090	B- 4	95817-08050	C- 9
90206-06090	B- 12	90445-082F3	E- 13		C- 11	93109-18020	C- 13	93608-50158	C- 8	95817-08065	C- 9
90208-04029	C- 15	90445-10458	D- 4	91317-06030	B- 3	93210-07135	B- 8	93615-12088	C- 2	95817-08120	C- 9
90209-06187	C- 13		D- 5	91317-08016	B- 12	93210-09165	B- 6	93700-06009	C- 13	95824-08035	C- 15
90209-08125	E- 8	90445-106A3	D- 5		C- 2	93210-10166	D- 5	93823-14149	C- 5	95827-06012	C- 10
	E- 9	90460-46206	B- 9	91317-08025	B- 12	93210-13361	B- 3	94113-184R7	D- 8	95827-12025	D- 12
90209-16209	C- 5	90462-06080	B- 13	91317-08045	B- 2	93210-14104	E- 6	94118-145U1	D- 9	97007-05010	C- 5
90209-17226	B- 15	90464-20084	B- 11	91401-20012	D- 12	93210-14369	B- 14	94118-145U2	D- 9	97007-06012	B- 2
90209-18208	C- 5	90465-08200	B- 13		D- 13	93210-16325	B- 7	94213-18232	D- 8		D- 4
90214-17028	B- 15	90465-08300	B- 14	91401-25012	D- 12	93210-19123	B- 14	94218-14251	D- 9	97007-06016	C- 9
90214-20023	B- 4	90465-13152	E- 12	91401-30025	C- 14	93210-25711	E- 2	94318-14149	D- 9		E- 13
90215-06184	B- 2	90465-16187	B- 14	91401-30030	D- 8	93210-32172	B- 14	94340-18086	D- 8	97007-06020	C- 13
90215-08160	D- 10	90467-09006	D- 4		D- 10	93210-347A1	B- 8	94425-18446	D- 7		D- 6
90215-14186	C- 3		D- 5	91701-06032	D- 13	93210-35537	B- 9	94445-14479	D- 9		D- 12
90215-14205	B- 5	90467-11106	B- 9	91701-08038	D- 12	93210-48364	C- 3	94580-41104	B- 7		E- 12
	C- 3		D- 5	92017-08016	D- 13	93210-54175	B- 8	94580-88120	D- 10	97007-06022	E- 10
90240-06076	D- 12	90467-14015	B- 13	92017-10020	D- 12	93210-55669	E- 2	94580-88122	D- 10	97007-06025	D- 4
90240-07083	B- 4	90468-10050	E- 6	92017-10035	D- 12	93210-57634	B- 2	94680-88001	D- 10		E- 7
90240-12075	C- 14	90468-26122	B- 15	92901-04100	B- 10	93210-72529	B- 3	94701-00157	B- 2	97027-06016	B- 7
90249-12008	D- 12	90480-01141	C- 12		B- 11	93211-05471	B- 2	94701-00181	B- 2	97027-06020	C- 8
90269-04003	C- 15	90480-12053	C- 11	92901-04600	B- 10	93306-20201	C- 5	94701-00222	B- 2	97027-08030	B- 15
90280-05013	B- 5		D- 14	92901-08100	D- 3	93306-20203	D- 7	94701-00333	B- 2	97321-08035	D- 3
90282-05013	B- 5	90480-13187	C- 12	92907-05100	D- 15	93306-20205	D- 7	95027-08050	C- 15	97702-40530	E- 4
90282-05043	C- 3	90480-14023	E- 7		E- 11	93306-20310	D- 9	95307-06600	C- 3	97702-40630	E- 5
90338-12081	C- 10	90480-15342	D- 4	92907-05600	C- 11	93306-20313	C- 6		D- 7	97706-40620	E- 3
90338-18014	B- 15	90501-04596	B- 15	92907-06100	D- 6	93306-20316	D- 9		D- 9	97707-40620	E- 3
90340-14117	B- 14	90501-07629	B- 4		E- 10	93306-20332	C- 5	95307-06700	D- 12	97707-50520	B- 9
90340-14128	B- 14	90501-10245	D- 12		E- 12	93306-20401	C- 5	95307-12700	E- 3	97801-03008	D- 4
90340-32080	B- 14	90501-10587	B- 7	92907-06200	C- 3	93306-20580	C- 5		E- 4	97801-04012	B- 11
90340-32123	B- 14	90501-12081	B- 15		D- 12	93306-30427	B- 4		E- 5	98501-04012	E- 5
90380-12051	C- 14	90501-18576	B- 8	92907-06600	B- 7		B- 5	95607-05200	C- 11	98501-04016	B- 10
90380-18139	C- 13	90501-21133	B- 4		B- 12	93306-30611	B- 4	95607-06100	E- 8	98502-04010	E- 4
90386-14103	C- 3	90501-22721	B- 7		C- 9	93310-530J3	B- 4		E- 9	98502-04012	E- 5
90386-18146	C- 13	90501-23700	C- 3		D- 4	93315-23607	C- 7		E- 10	98506-05020	E- 10
90387-063E6	E- 7	90506-08227	C- 8		E- 12	93410-20038	C- 5		E- 11		E- 11
90387-063G3	D- 4	90506-15260	D- 7		E- 13	93410-22039	C- 5	95617-10100	C- 14	98506-05022	E- 10
90387-06681	C- 11		D- 9	92907-08600	B- 12	93420-28055	C- 4	95707-05500	D- 3	98506-05030	E- 10
90387-06737	C- 13	90506-18289	D- 12	92907-10100	B- 5	93440-10085	B- 2		E- 8	98506-05035	E- 10
90387-125F1	B- 13	90506-29360	D- 12	92990-04100	B- 10	93450-17044	B- 4		E- 9		E- 11
90387-15600	D- 8	90508-18537	C- 3	93101-15101	C- 5	93501-04011	C- 15	95707-06500	E- 12	98506-06030	E- 11
90387-171T1	D- 9	90508-20023	D- 12	93102-12106	C- 8	93503-16003	C- 15	95807-06008	D- 3	98507-05012	C- 11
90387-171T2	D- 10	90508-26538	B- 15	93102-14209	C- 3	93505-18006	C- 3	95807-06010	E- 13	98507-05020	E- 11
90387-255F3	B- 7	90508-26539	C- 7	93102-17187	C- 6	93507-32009	B- 15	95807-06012	C- 15	98507-05030	D- 15
90413-05008	B- 11	90508-29540	C- 8	93102-17263	B- 15	93602-13177	B- 4	95807-06016	E- 8	98507-06010	B- 12
90430-06014	B- 2	90580-17305	D- 9	93102-20009	D- 7	93603-12030	B- 8		E- 9		B- 14
	B- 13	91A21-07024	D- 5	93102-22389	C- 5	93604-10011	B- 7	95807-06040	E- 6		C- 6
90430-08119	C- 3	91317-06018	B- 2	93102-25311	D- 9	93604-16092	C- 7	95807-08012	B- 11	98507-06016	E- 12

NUMERICAL INDEX

PARTNO.	GRID NO.	PARTNO.	GRID NO.	PARTNO.	GRID NO.	PARTNO.	GRID NO.	PARTNO.	GRID NO.
98507-06020	B - 2								
	D - 15								
98507-06025	B - 8								
	B - 14								
98507-06030	B - 13								
98507-06035	B - 14								
98507-06040	B - 13								
98507-06045	B - 14								
98507-06075	B - 8								
98507-06085	B - 13								
98507-06090	B - 13								
98580-04015	B - 10								
98707-06030	B - 8								
98907-06010	B - 12								
98907-06014	C - 11								
99001-10600	C - 8								
99009-17400	B - 15								
	C - 5								
99009-22400	D - 7								
99247-00080	C - 11								
99247-00100	D - 14								
99530-12016	B - 13								
	B - 14								
99530-14016	B - 2								
	B - 3								

M4