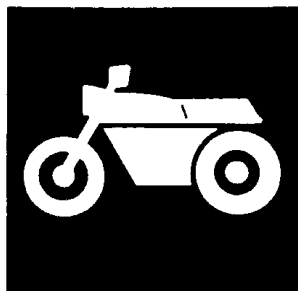


YAMAHA



**PARTS
CATALOGUE**

XT225L (4BEN) U49

XT225L (4BER) CANADA

XT225LC (4BEP) CALIFORNIA

YAMAHA
GENUINE
Parts & Accessories

194BE-100E1

A2



A3

FOREWORD

This Parts Catalogue is related to the parts for the model(s) in the below frame. When you are ordering replacement parts, please refer to this Parts Catalogue and quote both part numbers and part names correctly.

XT225L(4BEN/4BER),XT225LC(4BEP)

1. Modifications or additions which have been made after issue of the Parts Catalogue will be announced in the Yamaha Parts News. It is advisable that you make necessary corrections to the Parts Catalogue according to the Yamaha Parts News.

2. Abbreviations
The Following abbreviations are used in this Parts Catalogue.

"UR" Use specified parts number.
 "UN" Use as many as needed.
 "AP" Alternate Parts
 "LM" Local Made (Parts need to be ordered locally)
 "F#" Frame No. (Applicable machine No.)

3. Parts, which are to be supplied in an assembly, are listed with a dot(.) in front of the part name as shown below.

EXAMPLE
 CARBURETOR ASSY
 .JET, PILOT
 .NOZZLE, MAIN

4. Number of component for assembly
The numeral appearing to the right of each component part indicates the quantity of parts for each assembly unit.

EXAMPLE

PART NO.	DESCRIPTION	Q'TY	REMARKS
2F5-83310-60	FRONT FLASHER LIGHT ASSY	2	
115-83311-60	.BULB (6V-18W)	1	
1M1-83309-60	.REFLECTOR	1	

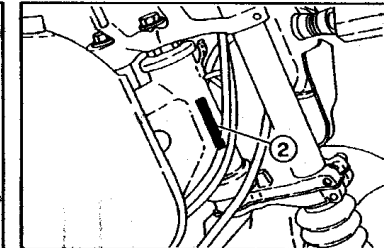
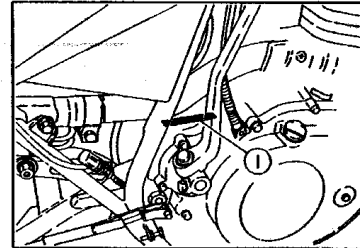
5. Applicable colors of graphics are represented in the "REMARKS" as shown below.

PART NO.	DESCRIPTION	Q'TY	REMARKS
2N4-24110-00-X5	.FUEL TANK COMP.	2	MXR
3J1-24240-10	.GRAPHIC, FUEL TANK	1	for MXR

6. Applicable Serial No.

① Engine Serial No.

② Frame Serial No.



7. Note that the illustrations for reference in funding parts numbers, not to be used for assembling. When assembling, please use the applicable service manual.
8. The asterisk (*) before a reference number indicates modification items after the first edition.

CONTENTS

ENGINE

CYLINDER HEAD	B2
CYLINDER	B3
CRANKSHAFT. PISTON	B4
VALVE	B6
CAMSHAFT. CHAIN	B7
OIL PUMP	B8
INTAKE	B9
CARBURETOR	B10
EXHAUST	B12
CRANKCASE	B13
CRANKCASE COVER 1	B14
STARTER CLUTCH	B15
CLUTCH	C2
TRANSMISSION	C4
SHIFT CAM. FORK	C6
SHIFTER	C7

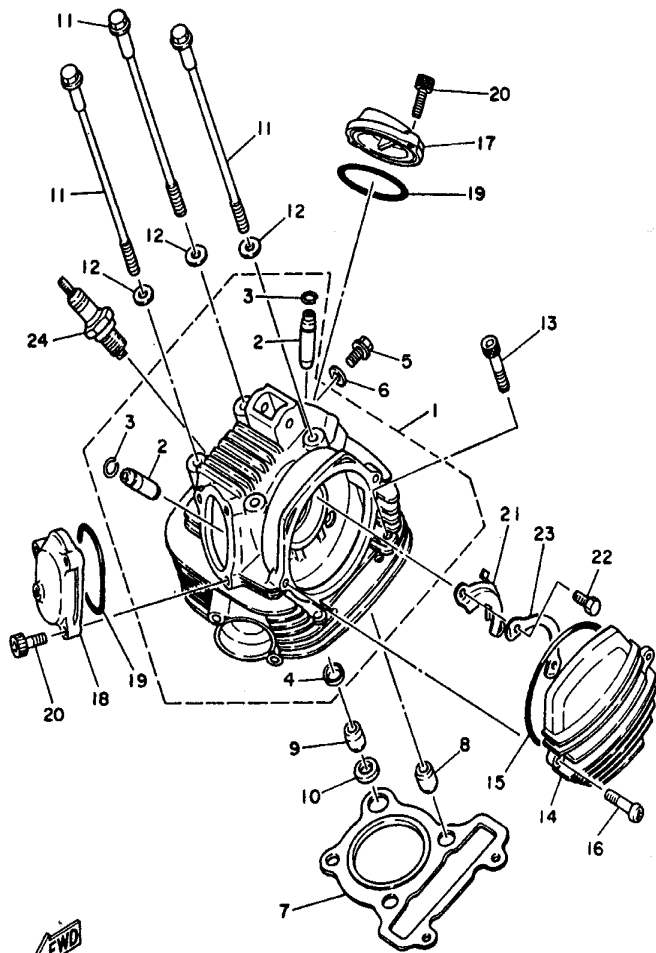
CHASSIS

FRAME	C8
FENDER	C11
SIDE COVER	C12
REAR ARM	C14
REAR SUSPENSION	D2
STEERING	D3
FRONT FORK	D4
FUEL TANK	D6
SEAT	D7
FRONT WHEEL	D8
FRONT BRAKE CALIPER	D9
REAR WHEEL	D10
STEERING HANDLE. CABLE	D12
FRONT MASTER CYLINDER	D13

STAND. FOOTREST	D14
COWLING 1	E2
GENERATOR	E3
STARTING MOTOR	E4
FLASHER LIGHT	E5
METER	E7
HEADLIGHT	E8
TAILLIGHT	E9
HANDLE SWITCH. LEVER	E10
ELECTRICAL 1	E11

INDEX

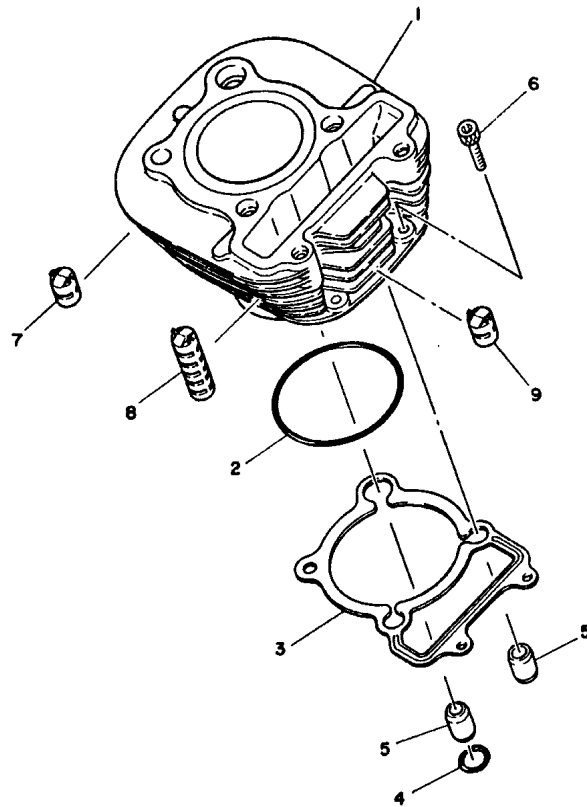
NUMERICAL INDEX	M1
-----------------------	----



48EA100-5010

FIG. 1 CYLINDER HEAD

REF. NO.	PART NO.	DESCRIPTION	48E	48F	48G	48H	REMARKS
			1	1	1	1	
1	3RW-11101-03	CYLINDER HEAD ASSY	1	1	1	1	
2	5H0-11133-11	.GUIDE, INTAKE VALVE	2	2	2	2	
3	93440-10085	.CIRCLIP	2	2	2	2	
4	90385-12039	.BUSH	1	1	1	1	
5	90153-06029	SCREW, HEXAGON	1	1	1	1	
6	90430-06014	GASKET	1	1	1	1	
7	59V-11181-00	GASKET, CYLINDER HEAD 1	1	1	1	1	
8	99530-14016	PIN, DOWEL	2	2	2	2	
9	93612-16254	PIN, DOWEL	1	1	1	1	
10	90430-12186	GASKET	1	1	1	1	
11	90105-08195	BOLT, WASHER BASED	4	4	4	4	
12	90201-08609	WASHER, PLATE	4	4	4	4	
13	91317-08045	BOLT	2	2	2	2	
14	3RW-11185-00	COVER, CYLINDER HEAD SIDE 1	1	1	1	1	
15	93211-05471	O-RING	1	1	1	1	
16	98507-06020	SCREW, PAN HEAD	2	2	2	2	
17	3RW-11186-00	COVER, CYLINDER HEAD SIDE 2	1	1	1	1	
18	3RW-11187-00	COVER, CYLINDER HEAD SIDE 3	1	1	1	1	
19	93210-57634	O-RING	2	2	2	2	
20	91317-06018	BOLT	5	5	5	5	
21	5H0-1111F-00	PLATE	1	1	1	1	
22	97007-06012	BOLT	2	2	2	2	
23	90215-06184	WASHER, LOCK	1	1	1	1	
24	94701-00222	PLUG, SPARK (ND X24ESR-U)	1	1	1	1	UR
	94701-00333	PLUG, SPARK (NGK DR8EA)	1	1	1	1	UR

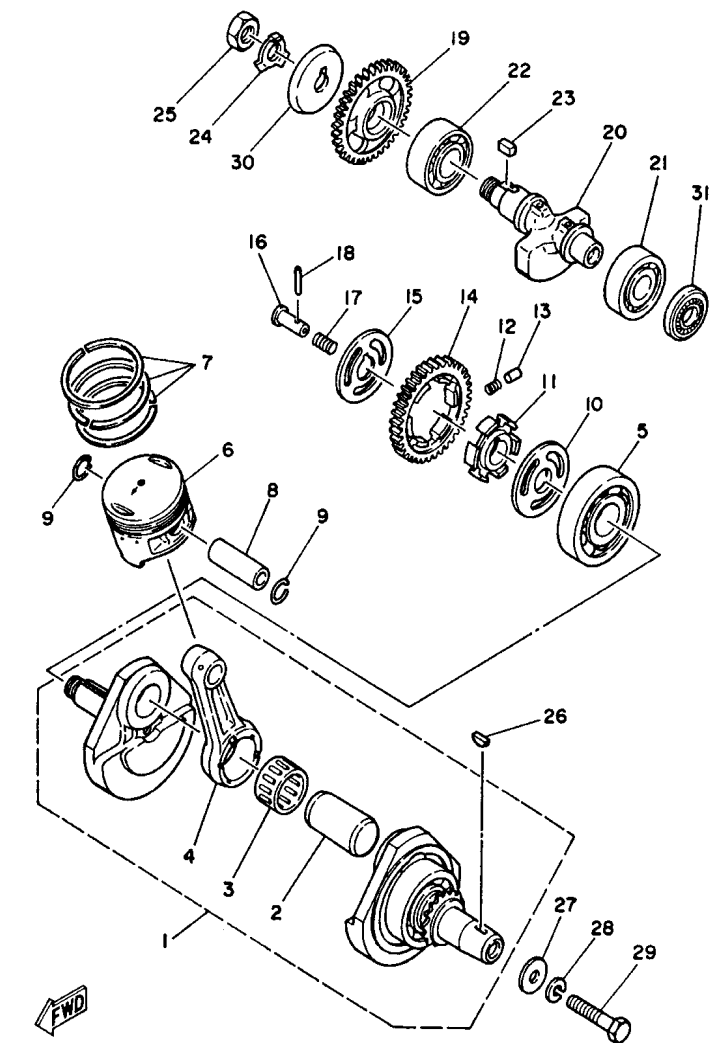



4BED100-6020

FIG. 2 CYLINDER

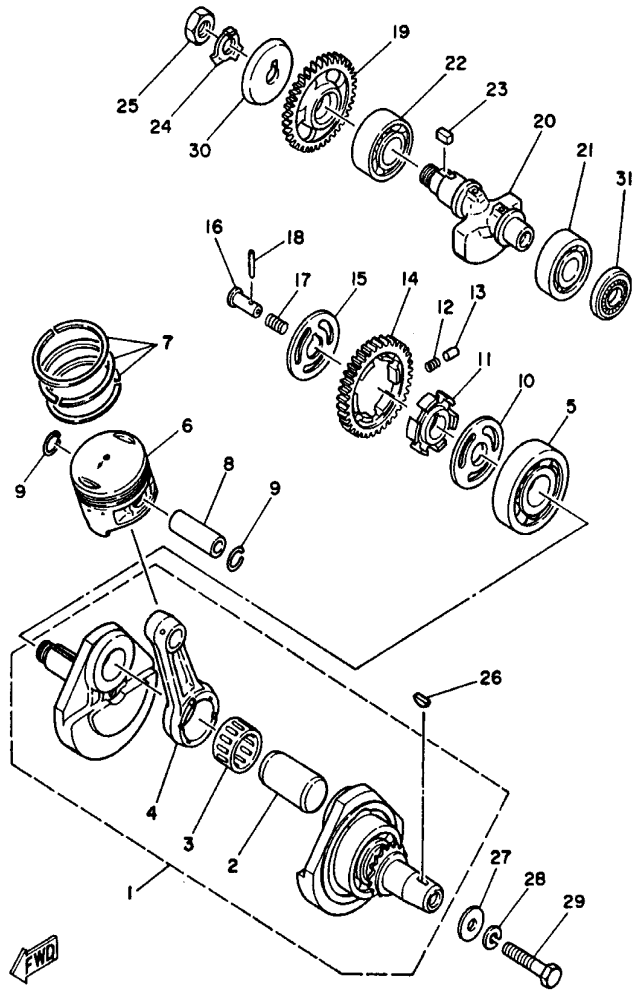
REF. NO.	PART NO.	DESCRIPTION	4BEN	4BEP	4BER	4FD7	REMARKS
1	3RW-11310-00	CYLINDER	1	1	1	1	
2	93210-72529	O-RING	1	1	1	1	
3	4BD-11351-00	GASKET, CYLINDER	1	1	1	1	
4	93210-13361	O-RING	1	1	1	1	
5	99530-14016	PIN, DOWEL	2	2	2	2	
6	91317-06025	BOLT	2	2	2	2	
7	15A-11162-00	ABSORBER 2	2	2	2	2	
8	5H0-11162-00	ABSORBER 2	2	2	2	2	
9	15A-11161-01	ABSORBER 1	1	1	1	1	

FIG. 3 CRANKSHAFT. PISTON



3RW1010-0030

REF. NO.	PART NO.	DESCRIPTION	4BEN	4BEP	4BER	4FD7	REMARKS
1	3RW-11400-00	CRANKSHAFT ASSY	1	1	1	1	
2	5H0-11681-00	.PIN, CRANK 1	1	1	1	1	
3	93310-530J3	.BEARING	1	1	1	1	
4	29U-11651-00	.ROD, CONNECTING	1	1	1	1	
5	93306-30611	BEARING	1	1	1	1	
6	1KH-11631-01-A0	PISTON (STD)	1	1	1	1	
	1KH-11636-01	PISTON (0.50MM O/S)	1	1	1	1	AP
	1KH-11638-01	PISTON (1.00MM O/S)	1	1	1	1	AP
7	29U-11610-00	PISTON RING SET (STD)	1	1	1	1	
	29U-11610-20	PISTON RING SET (0.50MM O/S)	1	1	1	1	AP
	29U-11610-40	PISTON RING SET (1.00MM O/S)	1	1	1	1	AP
8	15A-11633-00	PIN, PISTON	1	1	1	1	
9	93450-17044	.CIRCLIP	2	2	2	2	
10	90201-201E4	WASHER, PLATE	1	1	1	1	
11	5H0-11496-00	BOSS, BUFFER	1	1	1	1	
12	90501-21133	SPRING, COMPRESSION	6	6	6	6	
13	93605-10090	PIN, DOWEL	3	3	3	3	
14	5H0-11536-00	GEAR, DRIVE (38T)	1	1	1	1	
15	90214-20023	WASHER, CLAW	1	1	1	1	
16	90240-07083	PIN, CLEVIS	1	1	1	1	
17	90501-07629	SPRING, COMPRESSION	1	1	1	1	
18	93602-13177	PIN, DOWEL	1	1	1	1	
19	2LN-11530-00	BALANCER WEIGHT GEAR COMP.	1	1	1	1	
20	1KH-11454-00	WEIGHT 1	1	1	1	1	
21	93306-20532	BEARING	1	1	1	1	
22	93306-30427	BEARING	1	1	1	1	
23	90282-05013	KEY, STRAIGHT	1	1	1	1	

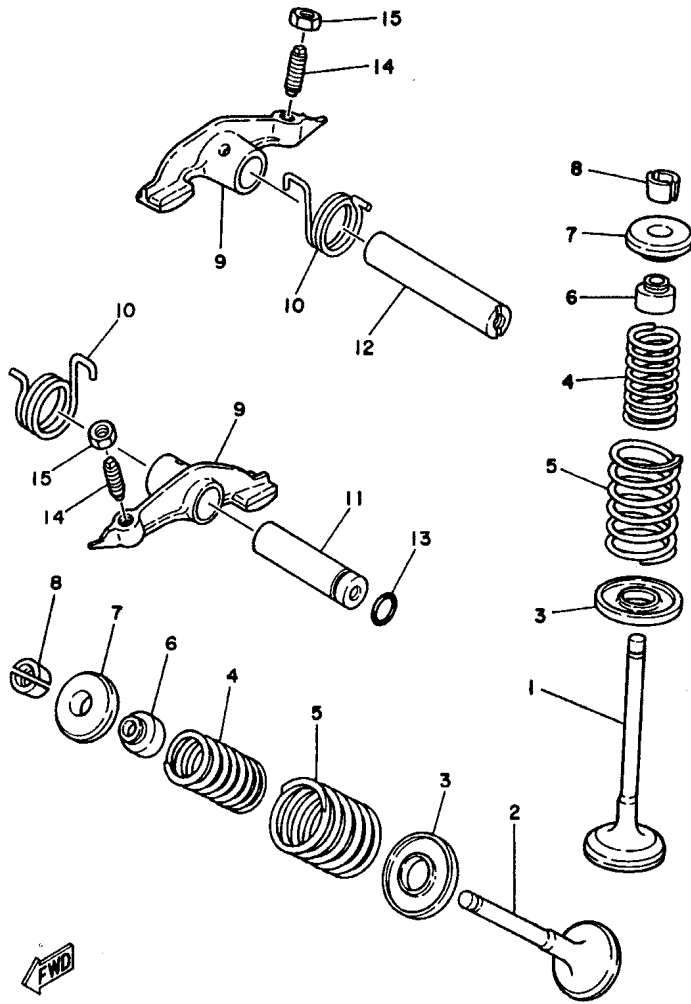


3RW1010-0030

FIG. 3 CRANKSHAFT. PISTON

REF. NO.	PART NO.	DESCRIPTION	4BEN	4BEP	4BER	4FD7	REMARKS
24	90215-14205	WASHER, LOCK	1	1	1	1	
25	90170-14284	NUT	1	1	1	1	
26	90280-05013	KEY, WOODRUFF	1	1	1	1	
27	90201-10508	WASHER, PLATE	1	1	1	1	
28	92907-10100	WASHER, SPRING	1	1	1	1	
29	90101-10188	BOLT	1	1	1	1	
30	1KH-11145-00	PLATE, BREATHER 2	1	1	1	1	
31	93101-25106	OIL SEAL	1	1	1	1	

FIG. 4 VALVE



FWD
2LN010-7040

REF. NO.	PART NO.	DESCRIPTION	4BEN	4BEP	4BER	4FD7	REMARKS
1	5H0-12111-01	VALVE, INTAKE	1	1	1	1	
2	5H0-12121-01	VALVE, EXHAUST	1	1	1	1	
3	4G0-12116-01	SEAT, VALVE SPRING	2	2	2	2	
4	11H-12113-00	SPRING, VALVE INNER	2	2	2	2	
5	11H-12114-00	SPRING, VALVE OUTER	2	2	2	2	
6	5H0-12119-00	SEAL, VALVE STEM	2	2	2	2	
7	4G0-12117-00	RETAINER, VALVE SPRING	2	2	2	2	
8	4G0-12118-00	COTTER, VALVE	4	4	4	4	
9	29U-12151-00	ARM, VALVE ROCKER	2	2	2	2	
10	90508-26786	SPRING, TORSION				2	
11	5H0-12156-00	SHAFT, ROCKER 2	1	1	1	1	
12	5H0-12146-00	SHAFT, ROCKER	1	1	1	1	
13	93210-09165	O-RING	1	1	1	1	
14	2NX-12159-00	SCREW, VALVE ADJUSTING	2	2	2	2	
15	90170-06128	NUT	2	2	2	2	

B6



3RW1010-0050

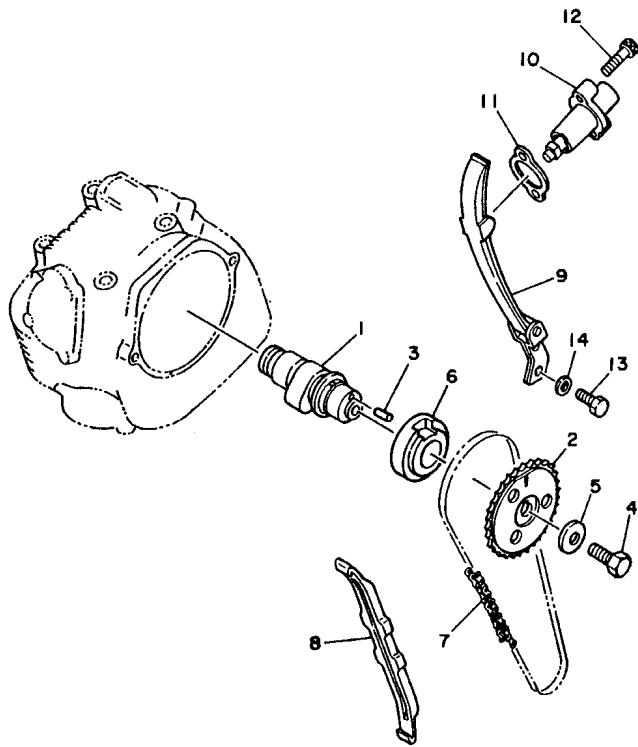
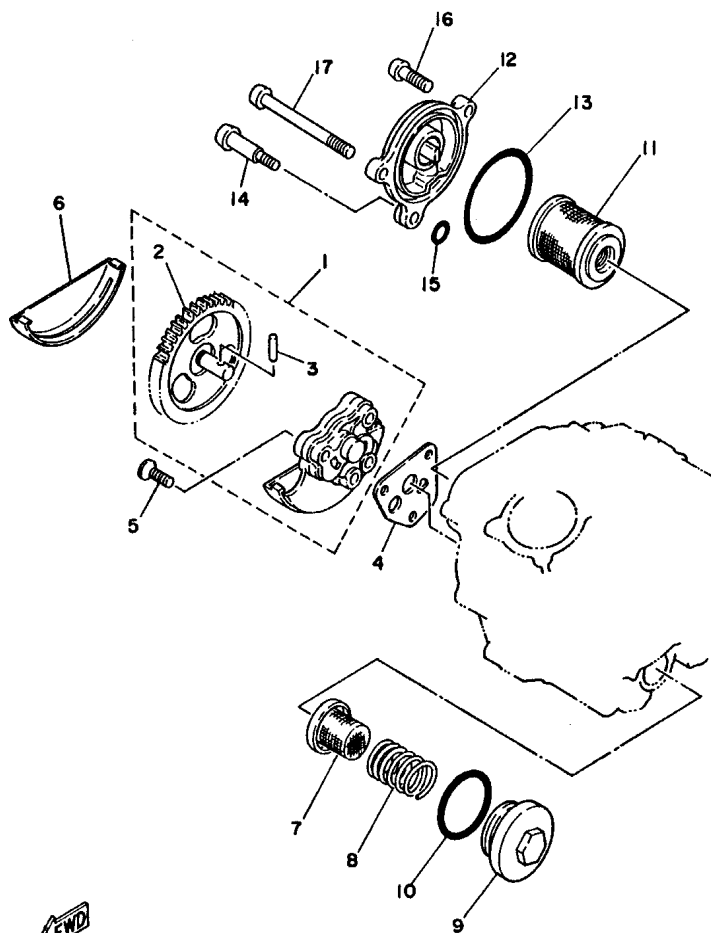


FIG. 5 CAMSHAFT. CHAIN

REF. NO.	PART NO.	DESCRIPTION	4BEN	4BEP	4BER	4FD7	REMARKS
1	1KH-12171-00	CAMSHAFT 1	1	1	1	1	
2	2LN-12176-00	SPROCKET, CAM CHAIN (40T)	1	1	1	1	
3	93604-10011	PIN, DOWEL	1	1	1	1	
4	90101-10303	BOLT	1	1	1	1	
5	90201-10591	WASHER, PLATE	1	1	1	1	
6	90387-255F3	COLLAR	1	1	1	1	
7	94580-41104	CHAIN	1	1	1	1	
8	5H0-12231-00	GUIDE, STOPPER 1	1	1	1	1	
9	5N0-12241-00	GUIDE, STOPPER 2	1	1	1	1	
10	2HT-12210-10	TENSIONER ASSY, CAM CHAIN	1	1	1	1	
11	4FM-12213-00	GASKET, TENSIONER CASE	1	1	1	1	
12	91317-06025	BOLT	2	2	2	2	
13	97027-06016	BOLT	2	2	2	2	
14	92907-06600	WASHER, PLATE	2	2	2	2	

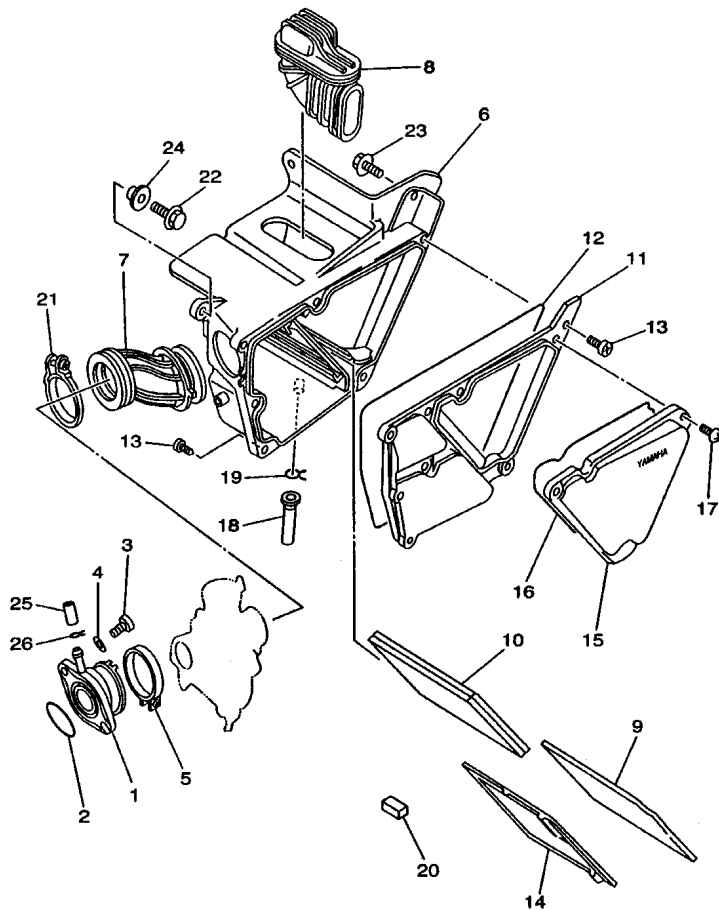
B7



FWD
IKH010-6060

FIG. 6 OIL PUMP

REF. NO.	PART NO.	DESCRIPTION	4BEN	4BEP	4BER	4FD7	REMARKS
1	5H0-13300-02	OIL PUMP ASSY	1	1	1	1	
2	5H0-13326-01	.GEAR, PUMP DRIVEN 2	1	1	1	1	
3	93603-12030	.PIN, DOWEL	1	1	1	1	
4	4BE-13329-00	GASKET, PUMP COVER	1	1	1	1	
5	98707-06030	SCREW, FLAT HEAD	3	3	3	3	
6	5H0-13327-00	COVER, PUMP GEAR	1	1	1	1	
7	51Y-13411-00	STRAINER, OIL	1	1	1	1	
8	90501-18576	SPRING, COMPRESSION	1	1	1	1	
9	5H0-15351-00	PLUG, DRAIN	1	1	1	1	
10	93210-347A1	O-RING	1	1	1	1	
11	5H0-13440-00	ELEMENT ASSY, OIL CLEANER	1	1	1	1	
12	3AW-13447-00	COVER, OIL ELEMENT	1	1	1	1	
13	93210-54175	O-RING	1	1	1	1	
14	90109-06419	BOLT	1	1	1	1	
15	93210-07135	O-RING	1	1	1	1	
16	98507-06025	SCREW, PAN HEAD	1	1	1	1	
17	98507-06075	SCREW, PAN HEAD	1	1	1	1	

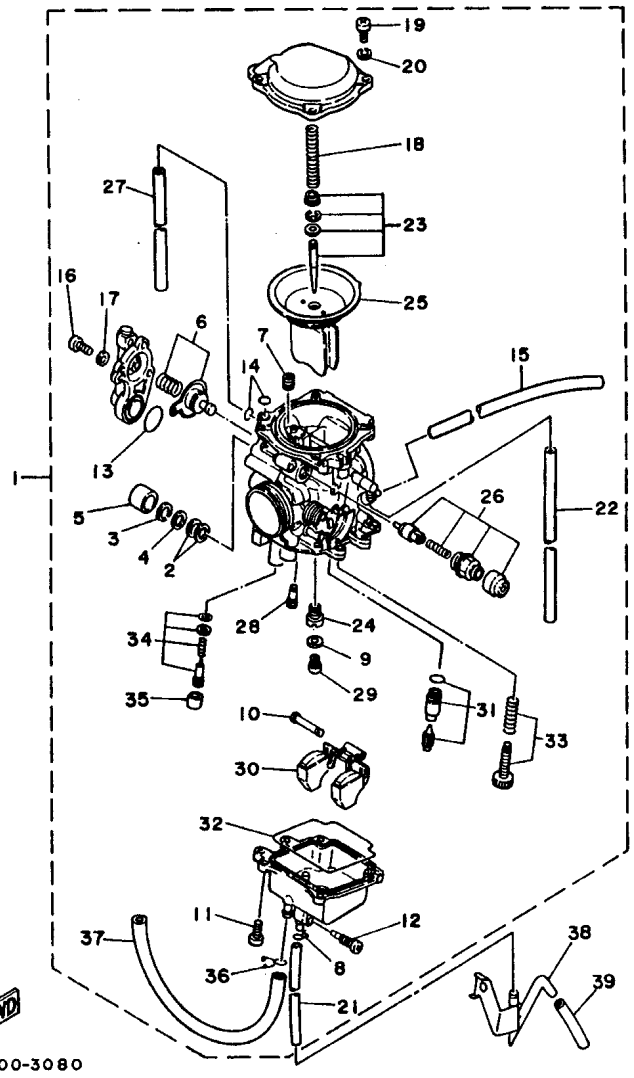



4BEM100-8070

FIG. 7 INTAKE

REF. NO.	PART NO.	DESCRIPTION	4BEN	4BEP	4BER	4FD7	REMARKS
1	2LN-13586-01	JOINT, CARBURETOR 1	1	1	1	1	
2	93210-35537	O-RING	1	1	1	1	
3	92017-06020	BOLT, BUTTON HEAD	2	2	2	2	
4	92907-06800	WASHER, PLATE	1	1	1	1	
5	90460-49293	CLAMP, HOSE	1	1	1	1	
6	3RW-14411-01	CASE, AIR CLEANER 1	1	1	1	1	
7	3RW-14453-01	JOINT, AIR CLEANER 1	1	1	1	1	
8	1KH-14437-01	DUCT	1	1	1		
	2LN-14437-00	DUCT				1	
9	1KH-14458-00	GUIDE	1	1	1	1	
10	1KH-14451-00	ELEMENT, AIR CLEANER	1	1	1	1	
11	4JG-14412-00	CAP, CLEANER CASE 1	1	1	1	1	
12	1KH-14462-00	SEAL	1	1	1	1	
13	97707-50520	SCREW, TAPPING	6	6	6	6	
14	4JG-14472-00	PLATE, ELEMENT	1	1	1	1	
15	3RW-14422-00	CAP, CLEANER CASE 2	1	1	1	1	
16	12R-14452-00	SEAL	1	1	1	1	
17	90154-05013	SCREW, BINDING	3	3	3	3	
18	34X-1443E-00	PIPE, DRAIN	1	1	1	1	
19	90467-11106	CLIP	1	1	1	1	
20	36Y-14462-00	SEAL	1	1	1	1	
21	90460-56105	CLAMP, HOSE	1	1	1	1	
22	90159-06016	SCREW, WITH WASHER	1	1	1	1	
23	90119-06172	BOLT, WITH WASHER	2	2	2	2	
24	90387-07789	COLLAR	1	1	1	1	
25	16G-13569-00	PLUG, BLIND	1	1	1	1	
26	90467-10039	CLIP	1	1	1	1	

B9



4BE4100-3080

FIG. 8 CARBURETOR

REF. NO.	PART NO.	DESCRIPTION	4BEN	4BEP	4BER	4FD7	REMARKS
1	4BE-14901-11	CARBURETOR ASSY 1	1		1		
	4BE-14901-01	CARBURETOR ASSY 1		1			
	3RW-14901-01	CARBURETOR ASSY 1				1	
2	2A2-14997-00	.SEAL	2	2	2	2	
3	812-14137-00	.CLIP	1	1	1	1	
4	22F-14126-00	.GASKET	1	1	1	1	
5	36X-14169-00	.CAP	1	1	1	1	
6	26H-1490H-00	.DIAPHRAGM SET 5	1	1	1	1	
7	2A2-14172-12	.PILOT JET, AIR (1.2)	1	1	1		
	2A2-14172-16	.PILOT JET, AIR (1.6)				1	
8	22F-14139-00	.CLIP, PIPE	1	1	1	1	
9	137-14153-00	.WASHER, MAIN JET	1	1	1	1	
10	537-14186-00	.PIN, FLOAT	1	1	1	1	
11	98502-04012	.SCREW, PAN HEAD	4	4	4	4	
12	12R-14191-00	.PLUG, DRAIN	1	1	1	1	
13	2LN-14561-00	.O-RING	1	1	1	1	
14	878-14147-00	.O-RING	2	2	2	2	
15	3RW-14197-00	.PIPE	1		1	1	
	29U-14197-00	.PIPE			1		
16	98501-04008	.SCREW, PAN HEAD	3	3	3	3	
17	92901-04100	.WASHER, SPRING	3	3	3	3	
18	2LN-14933-00	.SPRING, DIAPHRAGM	1	1	1	1	
19	98506-04008	.SCREW, PAN HEAD	4	4	4	4	
20	92906-04100	.WASHER, SPRING	4	4	4	4	
21	2LN-14197-00	.PIPE	1		1	1	
	4BE-14196-00	.PIPE			1		
22	55X-14196-00	.PIPE	1		1	1	

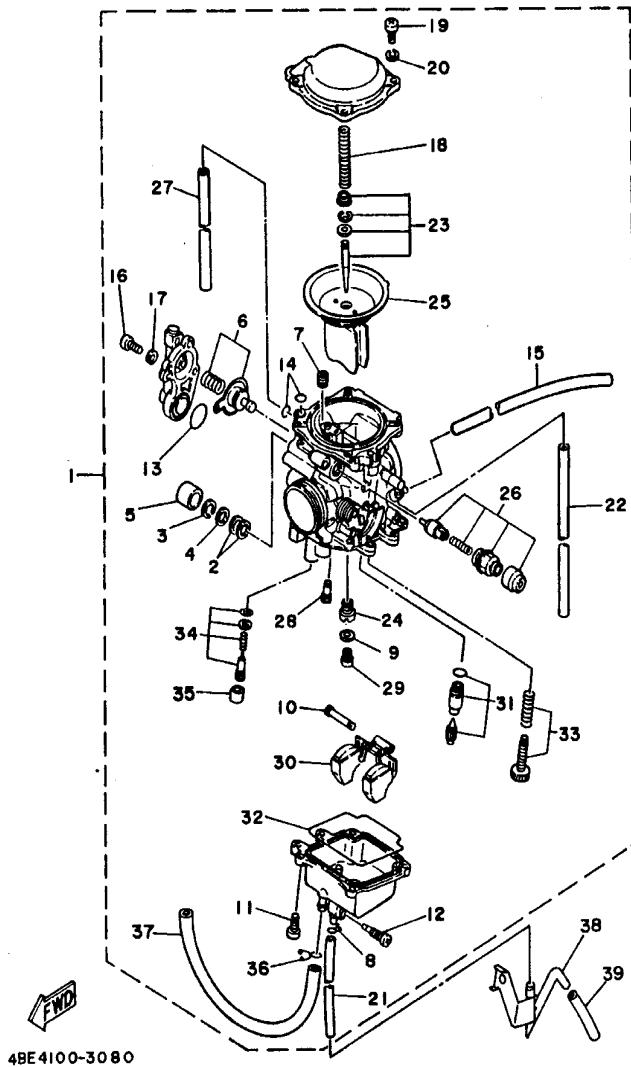
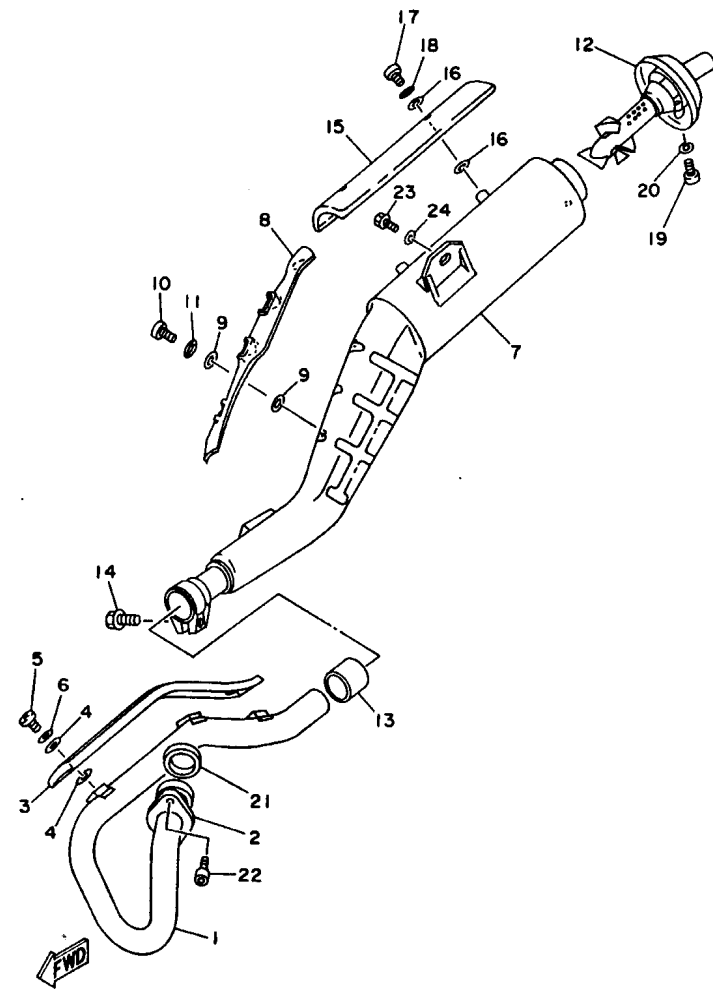


FIG. 8 CARBURETOR

REF. NO.	PART NO.	DESCRIPTION	4BE4	4BE2	4BE4	4FD7	REMARKS
23	4BE-1490J-00	.NEEDLE SET	1	1	1		
	3RW-1490J-00	.NEEDLE SET				1	
24	4BE-14141-31	.NOZZLE, MAIN	1	1	1		
	3RW-14141-50	.NOZZLE, MAIN				1	
25	2LN-14940-00	.DIAPHRAGM ASSY	1	1	1	1	
26	3RW-1410A-10	.STARTER SET	1	1	1	1	
27	29U-14197-00	.PIPE	1	1	1		
28	4G0-14142-40	.JET, PILOT (# 40)	1	1	1		
	4G0-14142-42	.JET, PILOT (# 42.5)				1	
29	620-14231-26	.JET, MAIN (#130)	1	1	1		
	620-1414A-75	.JET, MAIN (#122.5)				1	
30	2LN-14185-00	.FLOAT	1	1	1		
	2VA-14185-00	.FLOAT			1		
31	1UY-14107-20	.NEEDLE VALVE SET	1	1	1	1	
32	2LN-14147-00	.O-RING	1	1	1	1	
33	2LN-14103-00	.THROTTLE SCREW SET	1	1	1	1	
34	4BE-14105-00	.PILOT SCREW SET	1	1	1		
	12R-14105-00	.PILOT SCREW SET				1	
35	3F9-14118-00	.CAP	1	1	1		
36	90467-09006	.CLIP	1	1	1		
37	90445-103F5	.HOSE	1	1	1		
38	4BE-14193-00	PIPE			1		
39	90445-07671	HOSE			1		



4BE1110-2090

FIG. 9 EXHAUST

REF. NO.	PART NO.	DESCRIPTION	4BE1	4BE2	4BE3	4FD7	REMARKS
1	3RW-14611-00	PIPE, EXHAUST 1	1	1	1		
	4FD-14611-00	PIPE, EXHAUST 1				1	
2	5H0-14612-00	NUT, RING	1	1	1	1	
3	3RW-14628-00	PROTECTOR, EXHAUST PIPE	1	1	1	1	
4	4BD-14766-00	WASHER, PROTECTOR	6	6	6	6	
5	98980-06010	SCREW, BIND	3	3	3	3	
6	90206-06090	WASHER, WAVE	3	3	3	3	
7	4BE-14711-00	MUFFLER 1	1	1	1		
	4FD-14711-00	MUFFLER 1				1	
8	1KH-14728-01	PROTECTOR, MUFFLER 2	1	1	1	1	
9	4BD-14766-00	WASHER, PROTECTOR	4	4	4	4	
10	98907-06010	SCREW, BIND	2	2	2	2	
11	90206-06090	WASHER, WAVE	2	2	2	2	
12	1RH-14752-01	PIPE, OUTLET	1	1	1		
13	3YF-14714-00	GASKET, MUFFLER	1	1	1	1	
14	95027-08025	BOLT, FLANGE	1	1	1	1	
15	3TB-14728-00	PROTECTOR, MUFFLER 2	1	1	1	1	
16	4BD-14766-00	WASHER, PROTECTOR	4	4	4	4	
17	98980-06010	SCREW, BIND	2	2	2	2	
18	90206-06090	WASHER, WAVE	2	2	2	2	
19	98507-06010	SCREW, PAN HEAD	1	1	1		
20	92907-06100	WASHER, SPRING	1	1	1		
21	4BE-14613-00	GASKET, EXHAUST PIPE	1	1	1	1	
22	91317-06020	BOLT	2	2	2	2	
23	90109-082G0	BOLT	2	2	2	2	
24	90201-08326	WASHER, PLATE	2	2	2	2	

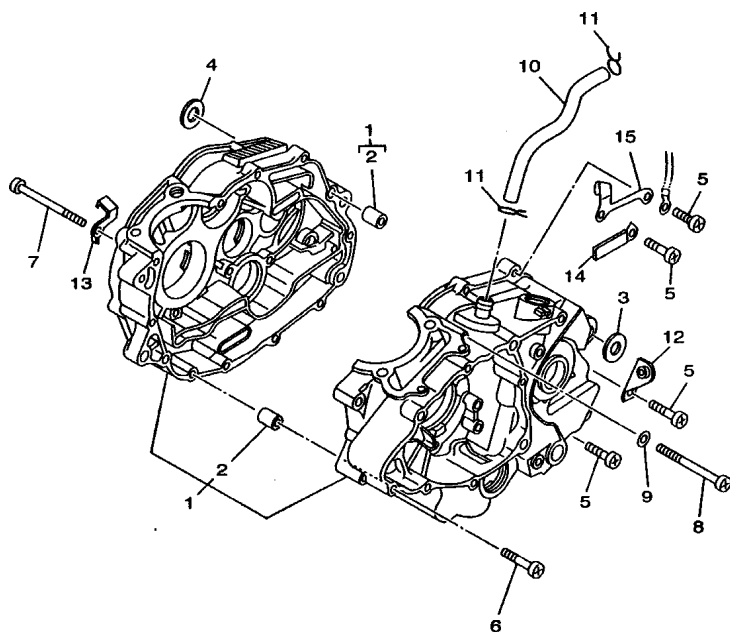
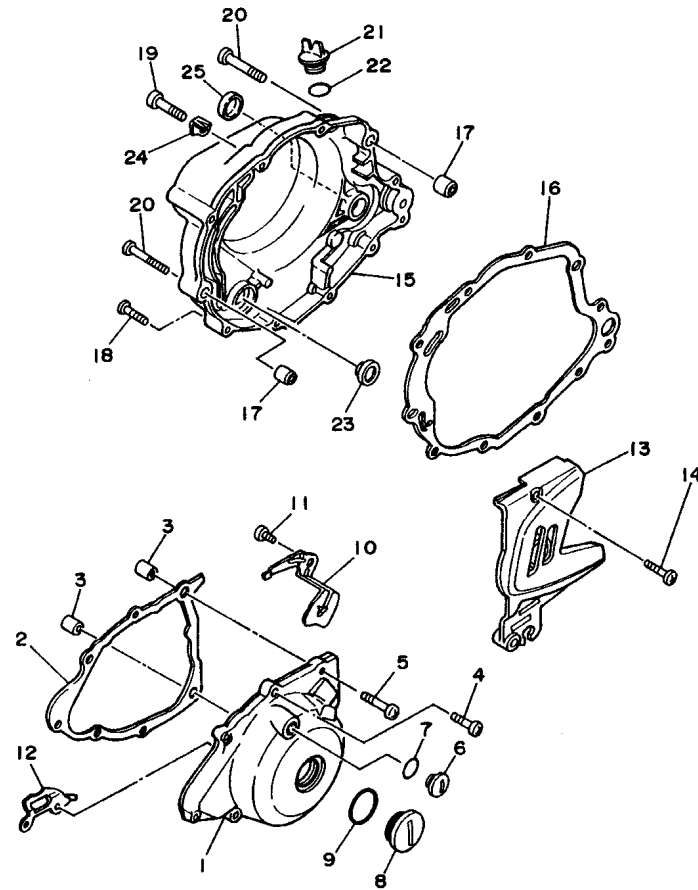


FIG. 10 CRANKCASE

REF. NO.	PART NO.	DESCRIPTION	4BEN	4BEP	4BER	4FD7	REMARKS
1	3RW-15100-02	CRANKCASE ASSY	1	1	1	1	
2	99530-12016	.PIN, DOWEL	2	2	2	2	
3	90387-125F1	COLLAR	1	1	1	1	
4	90387-125F1	COLLAR	1	1	1	1	
5	98507-06030	SCREW, PAN HEAD	7	7	7	7	
6	98507-06040	SCREW, PAN HEAD	2	2	2	2	
7	98507-06090	SCREW, PAN HEAD	2	2	2	2	
8	98507-06085	SCREW, PAN HEAD	1	1	1	1	
9	90430-06014	GASKET	1	1	1	1	
10	1KH-11166-01	PIPE, BREATHER 1	1	1	1	1	
11	90467-14015	CLIP	2	2	2	2	
12	90465-08200	CLAMP	1	1	1	1	
13	90462-08224	CLAMP	1	1	1	1	
14	90465-08127	CLAMP	1	1	1	1	
15	4JG-15441-01	HOLDER, CLUTCH CABLE	1	1	1	1	


4BEM100-8100

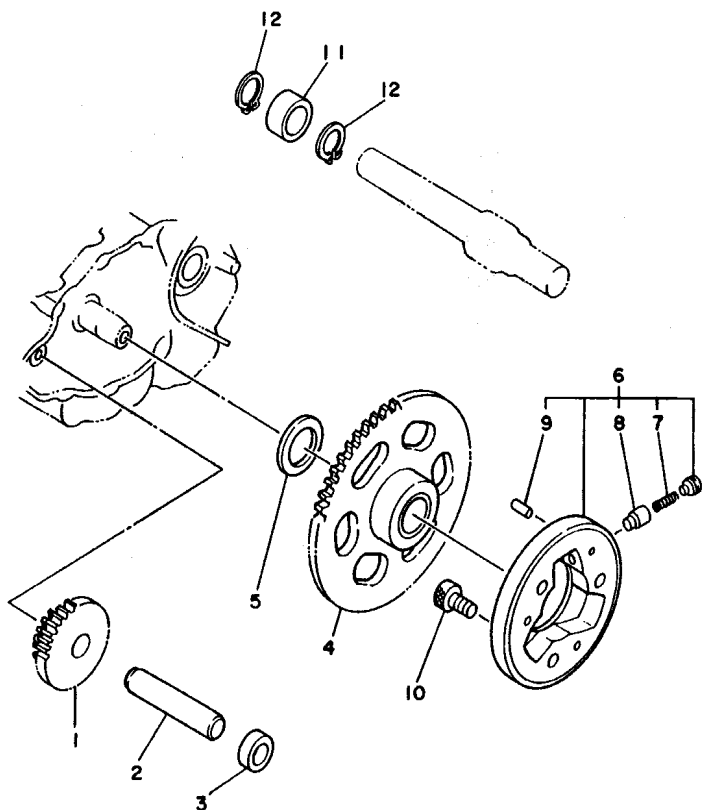
FIG. 11 CRANKCASE COVER 1




3RW1010-0110

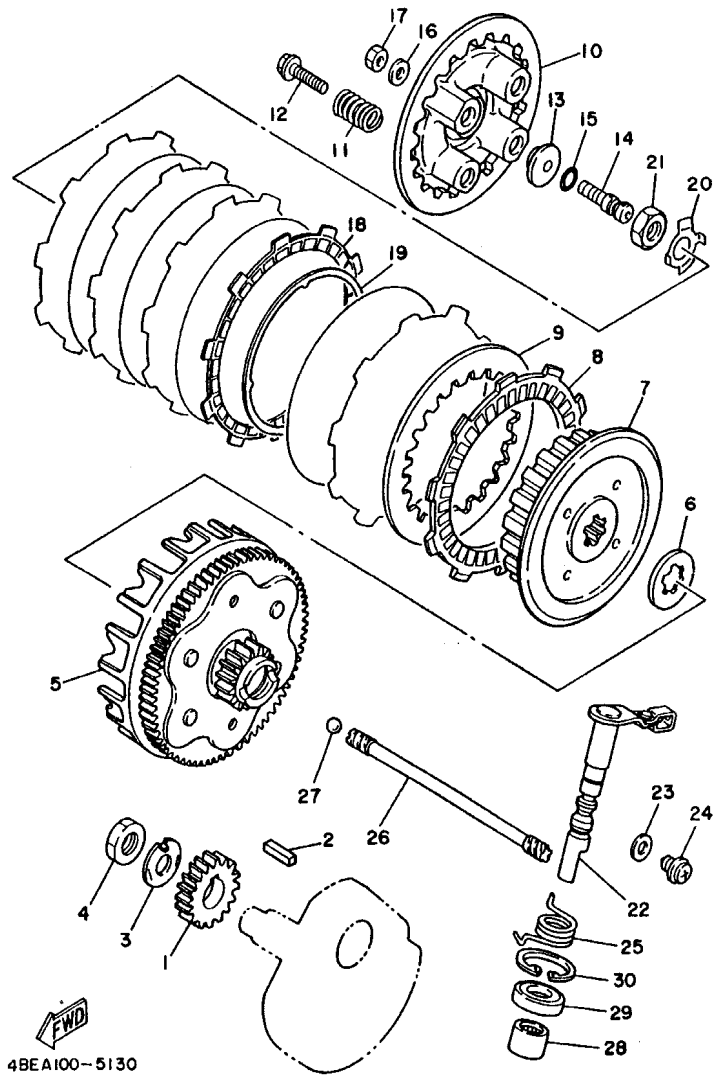
REF. NO.	PART NO.	DESCRIPTION	4BEN	4BEP	4BER	4FD7	REMARKS
1	4BE-15411-00	COVER, CRANKCASE 1	1	1	1	1	
2	4BE-15451-03	GASKET, CRANKCASE COVER 1	1	1	1	1	
3	99530-12016	PIN, DOWEL	2	2	2	2	
4	98507-06025	SCREW, PAN HEAD	6	6	6	6	
5	98507-06035	SCREW, PAN HEAD	2	2	2	2	
6	90340-14128	PLUG, STRAIGHT SCREW	1	1	1	1	
7	93210-14369	O-RING	1	1	1	1	
8	90340-32123	PLUG, STRAIGHT SCREW	1	1	1	1	
9	93210-32172	O-RING	1	1	1	1	
10	90465-08300	CLAMP	1	1	1	1	
11	98507-06010	SCREW, PAN HEAD	1	1	1	1	
12	90462-16096	CLAMP	1	1	1	1	
13	3RW-15420-00	CRANKCASE COVER ASSY 2	1	1	1	1	
14	98507-06025	SCREW, PAN HEAD	2	2	2	2	
15	3RW-15431-01	COVER, CRANKCASE 3	1	1	1	1	
16	4BE-15462-00	GASKET, CRANKCASE COVER 3	1	1	1	1	
17	99530-12016	PIN, DOWEL	2	2	2	2	
18	98507-06025	SCREW, PAN HEAD	5	5	5	5	
19	98507-06035	SCREW, PAN HEAD	3	3	3	3	
20	98507-06045	SCREW, PAN HEAD	2	2	2	2	
21	3Y1-15363-00	PLUG, OIL	1	1	1	1	
22	93210-19123	O-RING	1	1	1	1	
23	3Y1-15361-00	GAUGE, LEVEL	1	1	1	1	
24	90462-08225	CLAMP	2	2	2	2	
25	55X-15167-00	PLUG, BLIND 1	1	1	1	1	

FIG. 12 STARTER CLUTCH



3RW1010-0120

REF. NO.	PART NO.	DESCRIPTION	4BEN	4BEP	4BER	4FD7	REMARKS
1	2HT-15512-00	GEAR, IDLER 1	1	1	1	1	
2	5H0-15521-00	SHAFT 1	1	1	1	1	
3	90387-125Y0	COLLAR	1	1	1	1	
4	4JG-15517-00	GEAR, IDLER 2 (56T)	1	1	1	1	
5	90201-25290	WASHER, PLATE	1	1	1	1	
6	4H7-15580-10	STARTER CLUTCH OUTER ASSY	1	1	1	1	
7	90501-04596	.SPRING, COMPRESSION	3	3	3	3	
8	1J7-15583-01	.CAP, STARTER CLUTCH SPRING	3	3	3	3	
9	93615-12088	.PIN, DOWEL	3	3	3	3	
10	91317-08016	BOLT	3	3	3	3	
11	90560-17368	SPACER	1	1	1	1	
12	99009-17400	CIRCLIP	2	2	2	2	



4BEA100-5130

FIG. 13 CLUTCH

REF. NO.	PART NO.	DESCRIPTION	4BEN	4BEP	4BER	4FD	REMARKS
1	5H0-16111-00	GEAR, PRIMARY DRIVE (22T)	1	1	1	1	
2	90282-05043	KEY, STRAIGHT	1	1	1	1	
3	90215-14205	WASHER, LOCK	1	1	1	1	
4	90170-14284	NUT	1	1	1	1	
5	1KH-16150-00	PRIMARY DRIVEN GEAR COMP.	1	1	1	1	
6	2LN-16154-00	PLATE, THRUST 1	1	1	1	1	
7	2LN-16371-00	BOSS, CLUTCH	1	1	1	1	
8	537-16321-00	PLATE, FRICTION	5	5	5	5	
9	137-16324-00	PLATE, CLUTCH 1	5	5	5	5	
10	5H0-16351-00	PLATE, PRESSURE 1	1	1	1	1	
11	90501-23700	SPRING, COMPRESSION	4	4	4	4	
12	90159-05011	SCREW, WITH WASHER	4	4	4	4	
13	1W1-16358-01	PLATE, PUSH	1	1	1	1	
14	4JG-16356-00	ROD, PUSH 1	1	1	1	1	
15	93210-48364	O-RING	1	1	1	1	
16	92907-06200	WASHER	1	1	1	1	
17	95307-06600	NUT	1	1	1	1	
18	36X-16321-00	PLATE, FRICTION	1	1	1	1	
19	1KH-16383-00	SPRING, CLUTCH BOSS	1	1	1	1	
20	90215-14186	WASHER, LOCK	1	1	1	1	
21	90170-14284	NUT	1	1	1	1	
22	4JG-16380-01	PUSH LEVER ASSY	1	1	1	1	
23	90430-08119	GASKET	1	1	1	1	
24	90149-08067	SCREW	1	1	1	1	
25	90508-18495	SPRING, TORSION	1	1	1	1	
26	5H0-16357-00	ROD, PUSH 2	1	1	1	1	
27	93505-16006	BALL	1	1	1	1	

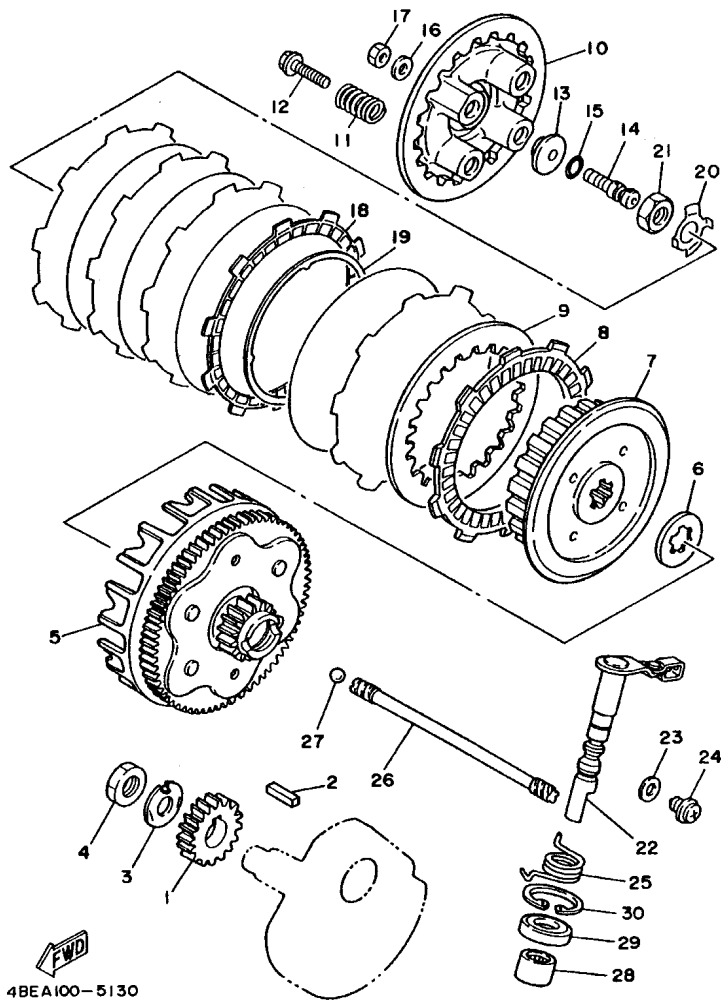
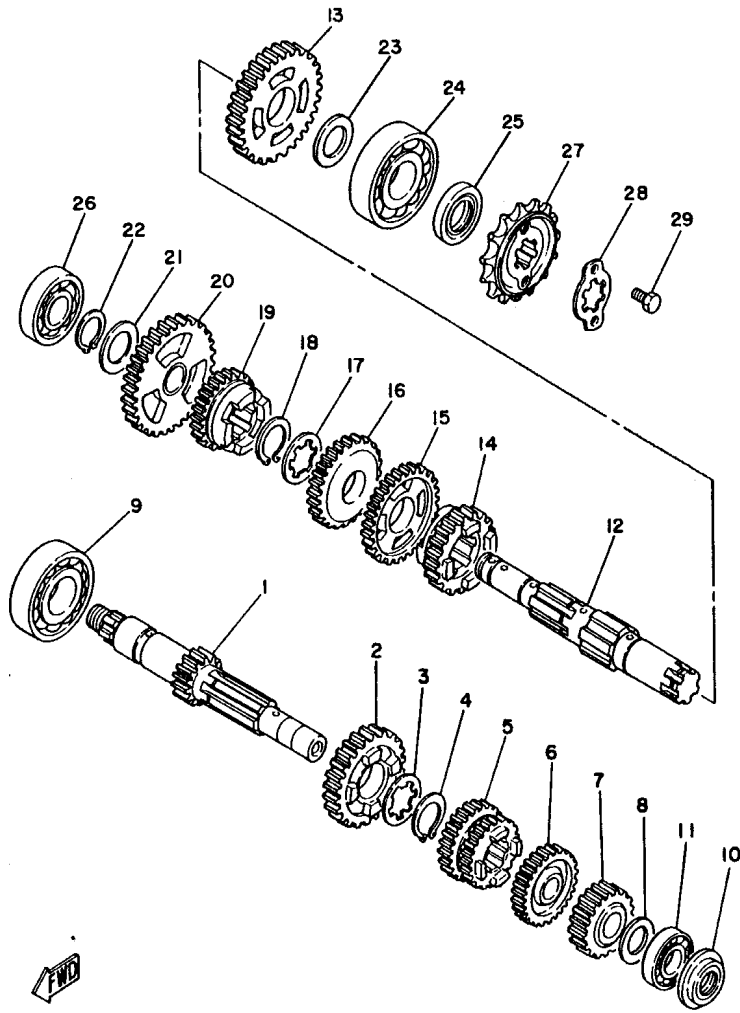


FIG. 13 CLUTCH

REF. NO.	PART NO.	DESCRIPTION	4BEN	4BEP	4BER	4FD7	REMARKS
28	93315-31428	BEARING	1	1	1	1	
29	93102-14209	OIL SEAL	1	1	1	1	
30	93420-28055	CIRCLIP	1	1	1	1	

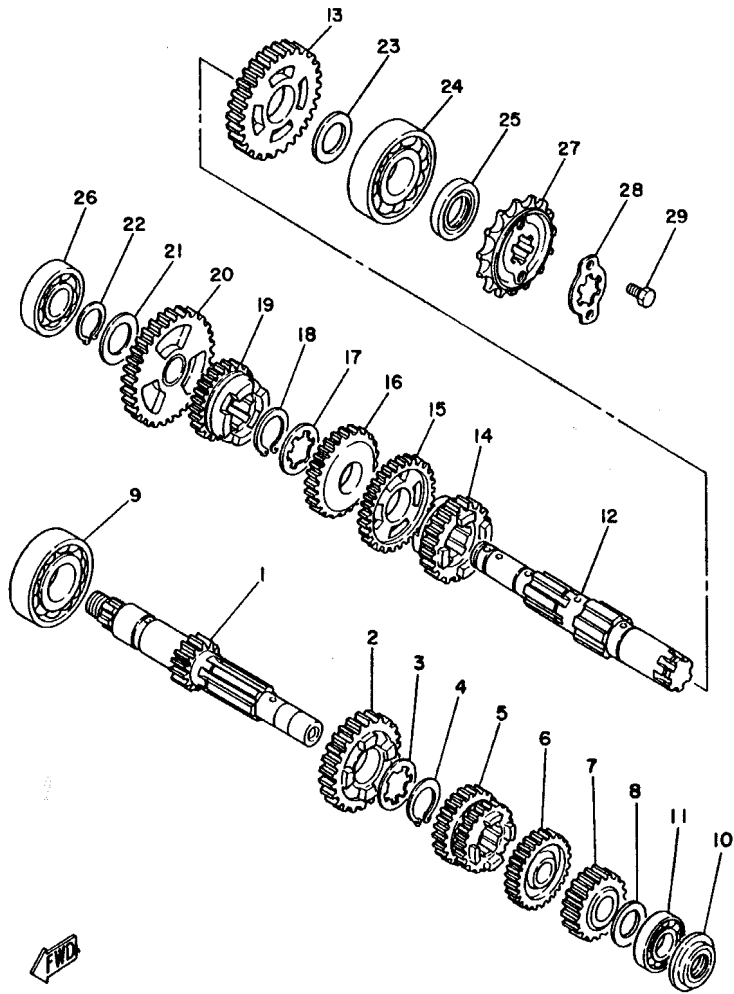


1KH010-6140

FIG. 14 TRANSMISSION

REF. NO.	PART NO.	DESCRIPTION	4BEN	4BEP	4BER	4FD7	REMARKS
1	4JG-17411-00	AXLE, MAIN	1	1	1	1	
2	5H0-17141-02	GEAR, 4TH PINION	1	1	1	1	
3	90209-17285	WASHER	1	1	1	1	
4	93410-20038	CIRCLIP	1	1	1	1	
5	1KH-17131-01	GEAR, 3RD PINION (24T)	1	1	1	1	
6	1KH-17151-00	GEAR, 5TH PINION (27T)	1	1	1	1	
7	1KH-17121-00	GEAR, 2ND PINION (15T)	1	1	1	1	
8	90201-164K2	WASHER, PLATE	1	1	1	1	
9	93306-20401	BEARING (B6204)	1	1	1	1	
10	93101-15101	OIL SEAL	1	1	1	1	
11	93306-20201	BEARING (B6202)	1	1	1	1	
12	17T-17402-00	DRIVE AXLE ASSY	1	1	1	1	
13	1KH-17221-00	GEAR, 2ND WHEEL (30T)	1	1	1	1	
14	17T-17251-02	GEAR, 5TH WHEEL (25T)	1	1	1	1	
15	1KH-17231-00	GEAR, 3RD WHEEL (30T)	1	1	1	1	
16	17T-17241-02	GEAR, 4TH WHEEL (27T)	1	1	1	1	
17	90209-18208	WASHER	1	1	1	1	
18	93410-22039	CIRCLIP	1	1	1	1	
19	1EV-17251-00	GEAR, 5TH WHEEL (23T)	1	1	1	1	
20	1KH-17211-00	GEAR, 1ST WHEEL (34T)	1	1	1	1	
21	90201-17257	WASHER, PLATE	1	1	1	1	
22	99009-17400	CIRCLIP	1	1	1	1	
23	90201-203E7	WASHER, PLATE	1	1	1	1	
24	93306-30424	BEARING (B6304A3)	1	1	1	1	
25	93102-20242	OIL SEAL	1	1	1	1	
26	93306-20332	BEARING	1	1	1	1	
27	1KH-17460-00	SPROCKET,DRIVE 15T(1KH1746150)	1	1	1	1	

C4

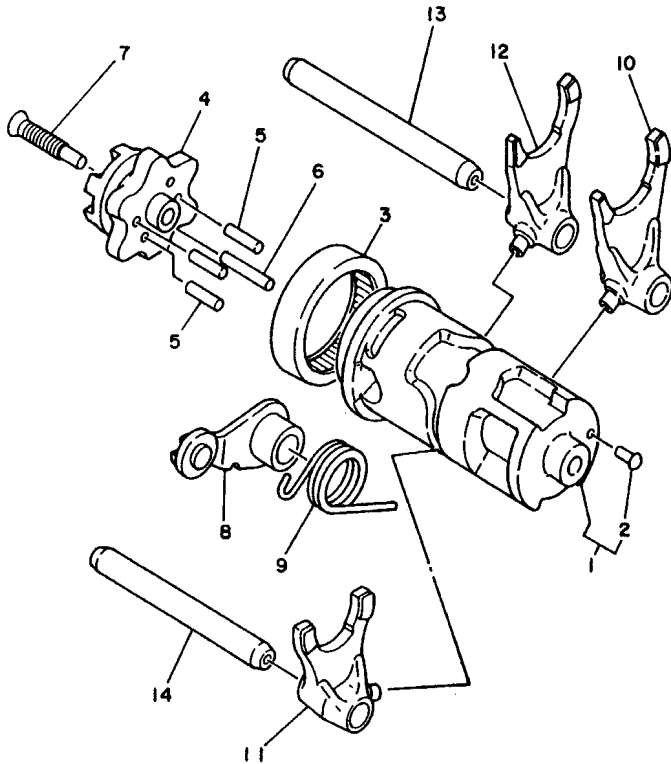


IKH010-6140

FIG. 14 TRANSMISSION

REF. NO.	PART NO.	DESCRIPTION	4BEN	4BEP	4BER	4FD7	REMARKS
28	5H0-17456-00	HOLDER, SPROCKET	1	1	1	1	
29	97027-06010	BOLT	2	2	2	2	

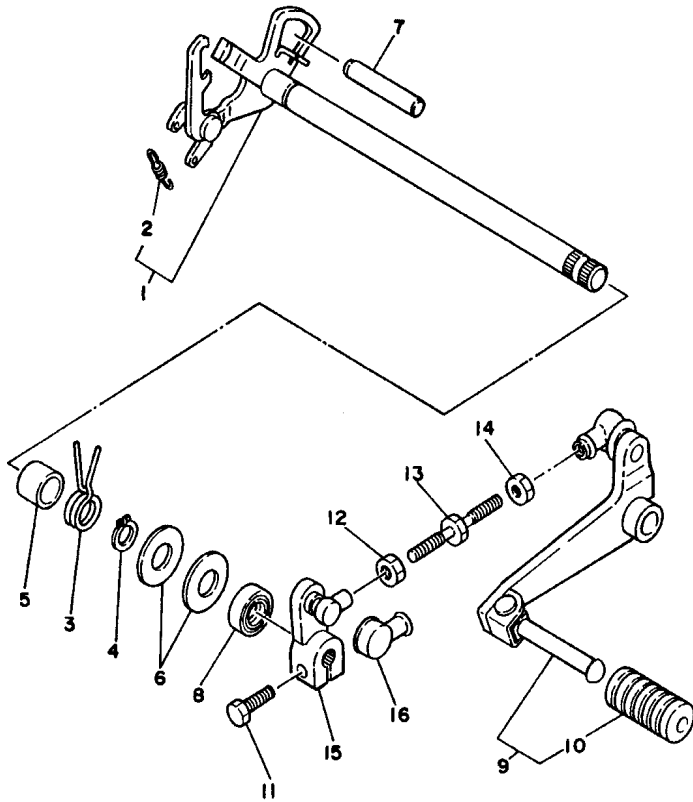
FIG. 15 SHIFT CAM. FORK



REF. NO.	PART NO.	DESCRIPTION	4BEN	4BEP	4BER	4FD7	REMARKS
1	4JG-18540-00	SHIFT CAM ASSY	1	1	1	1	
2	136-18542-00	.POINT, NEUTRAL	1	1	1	1	
3	93315-23607	BEARING	1	1	1	1	
4	4JG-18185-00	SEGMENT	1	1	1	1	
5	93604-16092	PIN, DOWEL	4	4	4	4	
6	93604-20156	PIN, DOWEL	1	1	1	1	
7	90151-06013	SCREW, COUNTERSUNK	1	1	1	1	
8	1RH-18140-00	STOPPER LEVER ASSY	1	1	1	1	
9	90508-26539	SPRING, TORSION	1	1	1	1	
10	4JG-18513-00	FORK, SHIFT 3	1	1	1	1	
11	4JG-18511-00	FORK, SHIFT 1	1	1	1	1	
12	4JG-18512-01	FORK, SHIFT 2	1	1	1	1	
13	3GX-18531-00	BAR, SHIFT FORK GUIDE 1	1	1	1	1	
14	3GX-18535-00	BAR, SHIFT FORK GUIDE 2	1	1	1	1	


25A310-3160

FIG. 16 SHIFTER



IKH010-6160

REF. NO.	PART NO.	DESCRIPTION	4BEN	4BEP	4BER	4FD7	REMARKS
1	5H0-18120-02	SHIFT LEVER ASSY	1	1	1	1	
2	90506-08227	.SPRING, TENSION	1	1	1	1	
3	90508-26705	SPRING, TORSION	1	1	1	1	
4	99001-10600	CIRCLIP	1	1	1	1	
5	90387-124F4	COLLAR	1	1	1	1	
6	90201-12588	WASHER, PLATE	2	2	2	2	
7	93608-50158	PIN, DOWEL	1	1	1	1	
8	93102-12106	OIL SEAL (SD 12-22-5 HS)	1	1	1	1	
9	1KH-18110-00	SHIFT PEDAL ASSY	1	1	1	1	
10	1W6-18113-00	.COVER, SHIFT PEDAL	1	1	1	1	
11	97027-06020	BOLT	1	1	1	1	
12	95307-06700	NUT	1	1	1	1	
13	16G-18115-00	ROD, SHIFT	1	1	1	1	
14	90170-06289	NUT	1	1	1	1	
15	1KH-18112-00	ARM, SHIFT	1	1	1	1	
16	2H9-18154-00	COVER, DUST	1	1	1	1	

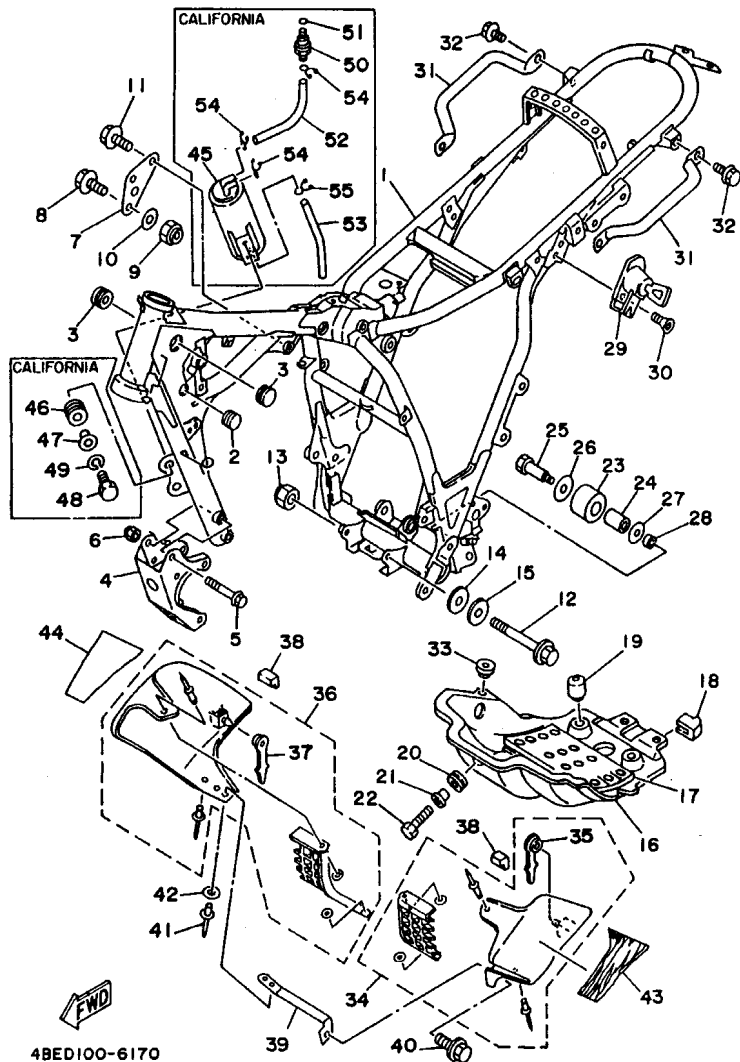


FIG. 17 FRAME

REF. NO.	PART NO.	DESCRIPTION	4BEN	4BEP	4BER	4FD7	REMARKS
1	4FD-21110-11-35	FRAME COMP.	1		1	1	SL
	4BE-21110-21-35	FRAME COMP.		1			SL
2	90338-15202	PLUG	1	1	1	1	
3	90338-24177	PLUG	2	2	2	2	
4	3RW-21316-01-35	STAY, ENGINE 3	1		1	1	SL
	4BE-21316-00-35	STAY, ENGINE 3			1		SL
5	90105-08721	BOLT, WASHER BASED	4	4	4	4	
6	95607-08200	NUT, SELF-LOCKING	1	1	1	1	
7	1KH-21315-01	STAY, ENGINE 2	1	1	1	1	
8	95817-08050	BOLT, FLANGE	1	1	1	1	
9	95607-08200	NUT, SELF-LOCKING	1	1	1	1	
10	90201-08366	WASHER, PLATE	1	1	1	1	
11	90105-08408	BOLT, WASHER BASED	2	2	2	2	
12	90105-08024	BOLT, WASHER BASED	1	1	1	1	
13	95607-08200	NUT, SELF-LOCKING	1	1	1	1	
14	90201-08366	WASHER, PLATE	1	1	1	1	
15	92907-08800	WASHER	1	1	1	1	
16	3RW-21471-00	PROTECTOR, ENGINE	1	1	1	1	
17	1KH-21485-00	DAMPER, RUBBER 1	1	1	1	1	
18	36X-21485-00	DAMPER, RUBBER 1	2	2	2	2	
19	34L-21485-00	DAMPER, RUBBER 1	2	2	2	2	
20	90480-14023	GROMMET	1	1	1	1	
21	90387-07391	COLLAR	1	1	1	1	
22	97027-06025	BOLT	1	1	1	1	
23	30X-22178-00	TENSIONER	1	1	1	1	
24	4V4-22184-00	BUSH	1	1	1	1	
25	90109-08705	BOLT	1	1	1	1	

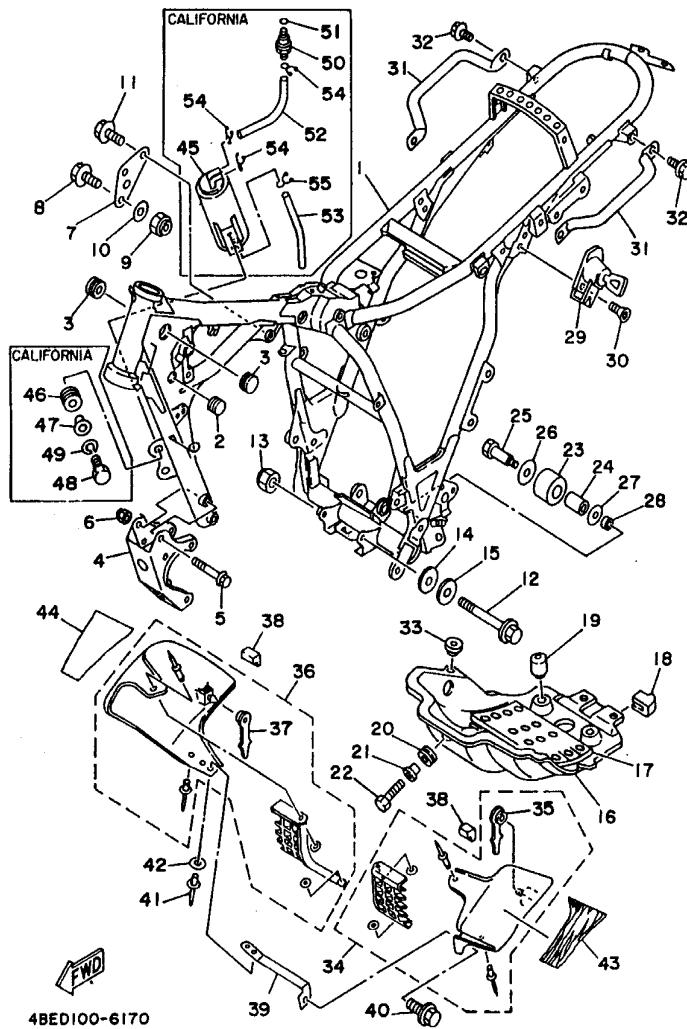


FIG. 17 FRAME

REF. NO.	PART NO.	DESCRIPTION	4BEN	4BEP	4BER	4FD7	REMARKS
26	90201-13409	WASHER, PLATE	1	1	1	1	
27	90201-08753	WASHER, PLATE	1	1	1	1	
28	90387-085E1	COLLAR	1	1	1	1	
29	5H0-21308-01	HELMET HANGER ASSY	1	1	1	1	
30	90151-06025	SCREW, COUNTERSUNK	1	1	1	1	
31	4JG-21165-10	HANDLE, STANDING	2	2	2	2	
32	95807-08016	BOLT, FLANGE	4	4	4	4	
33	2J5-21732-00	SEAL 1	1	1	1	1	
34	3RW-W2131-10	SCOOP COMP. AIR 1	1	1	1	1	
35	90480-14448	.GROMMET	1	1	1	1	
36	4BE-W2132-00	SCOOP COMP. AIR 2	1	1	1	1	
37	90480-14448	.GROMMET	1	1	1	1	
38	90480-16185	GROMMET	2	2	2	2	
39	4BE-2139T-00	BRACKET, COVER	1	1	1	1	
40	90119-06094	BOLT, WITH WASHER	1	1	1	1	
41	90267-40075	RIVET, BLIND	2	2	2	2	
42	90201-04018	WASHER, PLATE	2	2	2	2	
43	4BE-24244-50	GRAPHIC, FUEL TANK 1	1	1	1	1	
44	4BE-24245-50	GRAPHIC, FUEL TANK 2	1	1	1	1	
45	4BE-24170-00	CANISTER ASSY	1				
46	90480-15342	GROMMET	2				
47	90387-063G3	COLLAR	2				
48	97007-06025	BOLT	2				
49	92907-06100	WASHER, SPRING	2				
50	20K-24180-00	ROLL OVER VALVE ASSY	1				
51	93210-10166	O-RING	1				
52	90445-10458	HOSE	1				

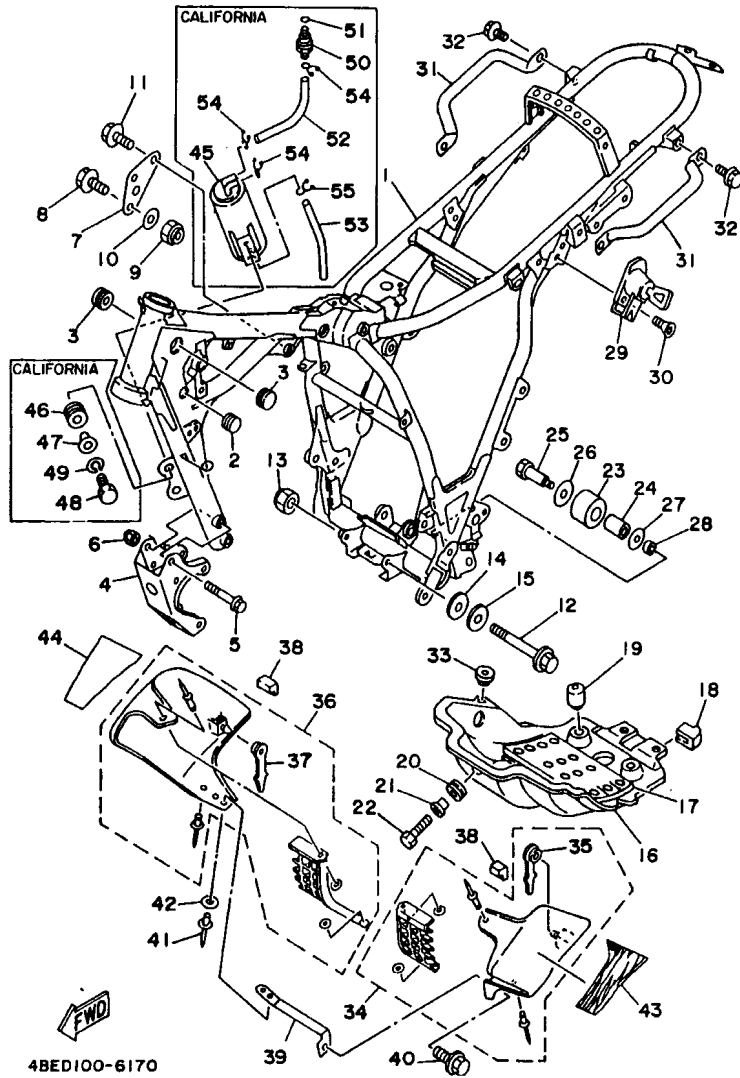
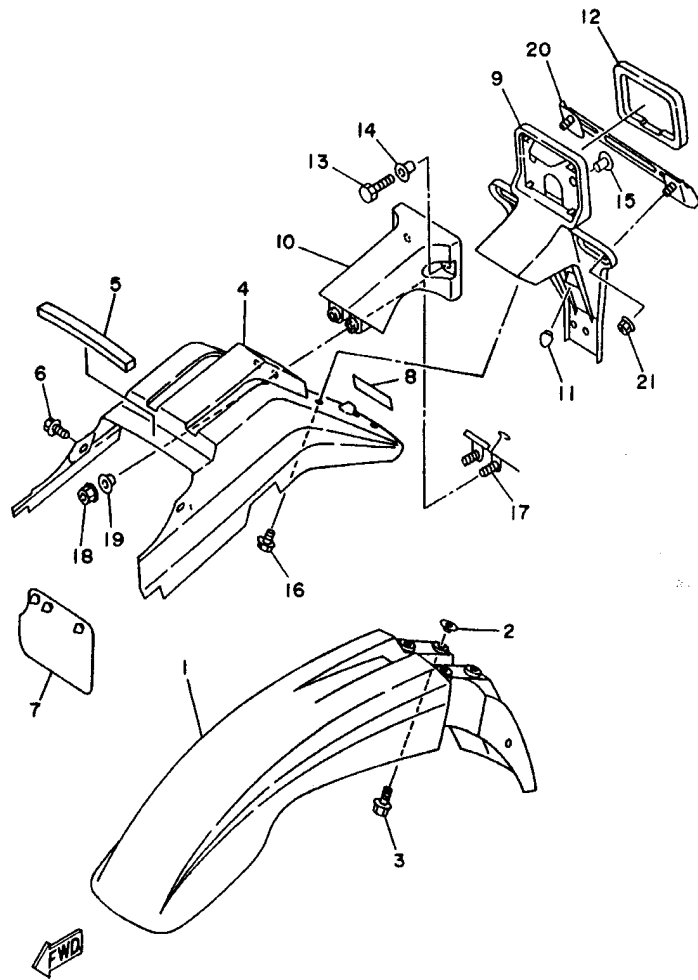


FIG. 17 FRAME

REF. NO.	PART NO.	DESCRIPTION	4BEN	4BEP	4BER	4FD7	REMARKS
53	90445-110F5	HOSE		1			
54	90467-09006	CLIP		3			
55	90467-11106	CLIP		1			

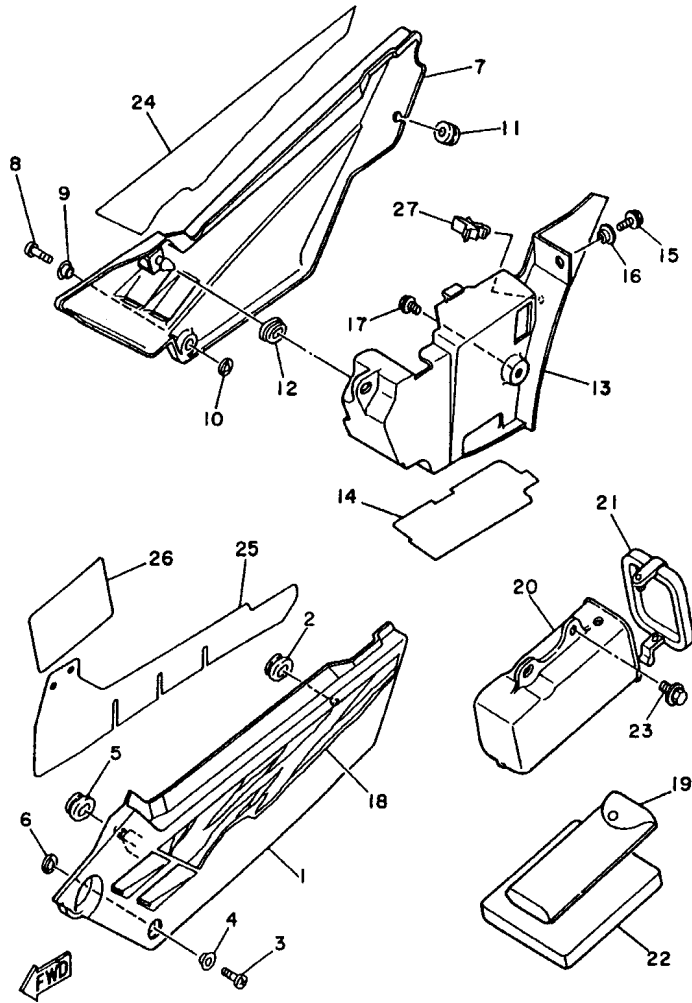


4BEA100-5180

FIG. 18 FENDER

REF. NO.	PART NO.	DESCRIPTION	4BE	4BE	4BE	4FD	REMARKS
			EN	ED	ER	D7	
1	4BE-21511-00	FENDER, FRONT	1	1	1	1	
2	90387-06681	COLLAR	4	4	4	4	
3	90119-06063	BOLT, WITH WASHER	4	4	4	4	
4	3RW-21611-10	FENDER, REAR	1	1	1	1	
5	3RW-21639-00	DAMPER 2	1	1	1	1	
6	90119-06056	BOLT, WITH WASHER	2	2	2	2	
7	34X-21691-00	FLAP	1	1	1	1	
8	3WF-2153E-70	EMBLEM, YAMAHA	1	1	1	1	
9	4BE-84551-00	BRACKET, LICENCE	1	1	1	1	
10	4BE-84527-00	DAMPER	1	1	1	1	
11	42U-21639-00	DAMPER 2	1	1	1	1	
12	4FD-84559-00	DAMPER				1	
13	97007-06025	BOLT	2	2	2	2	
14	90387-065G0	COLLAR	2	2	2	2	
15	90387-06500	COLLAR				2	
16	95807-06016	BOLT, FLANGE	2	2	2	2	
17	4BE-21637-00	CLAMP, WIRE	1	1	1	1	
18	95307-06600	NUT	2	2	2	2	
19	90387-06681	COLLAR	2	2	2	2	
20	4FD-21685-00	BRACKET, LICENSE				1	
21	95707-06500	NUT, FLANGE				2	

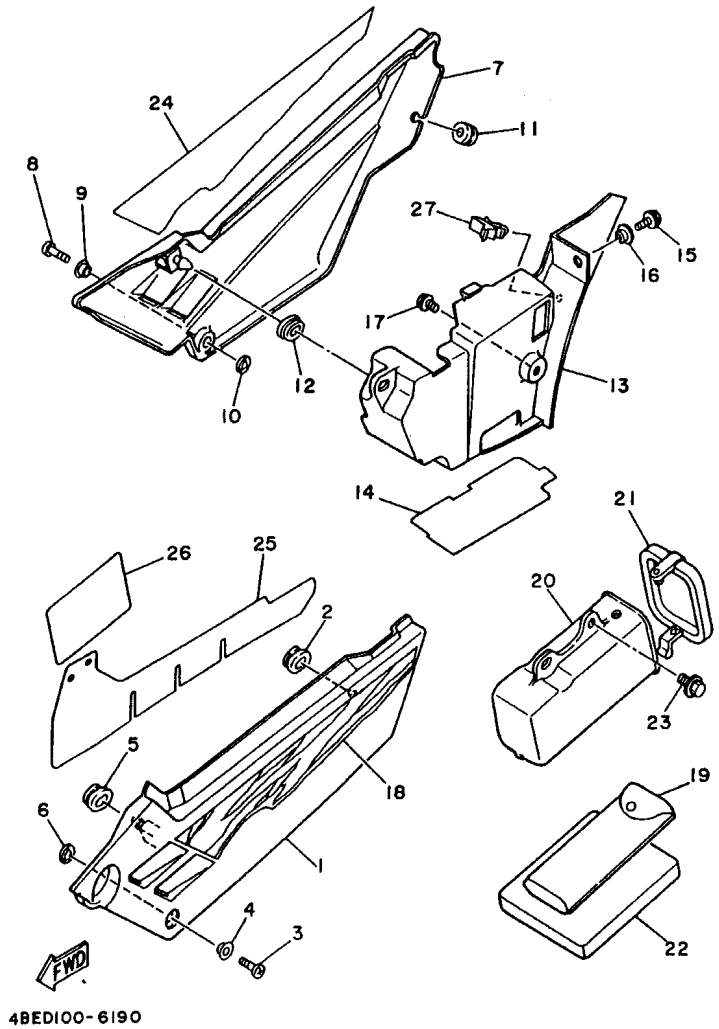
FIG. 19 SIDE COVER



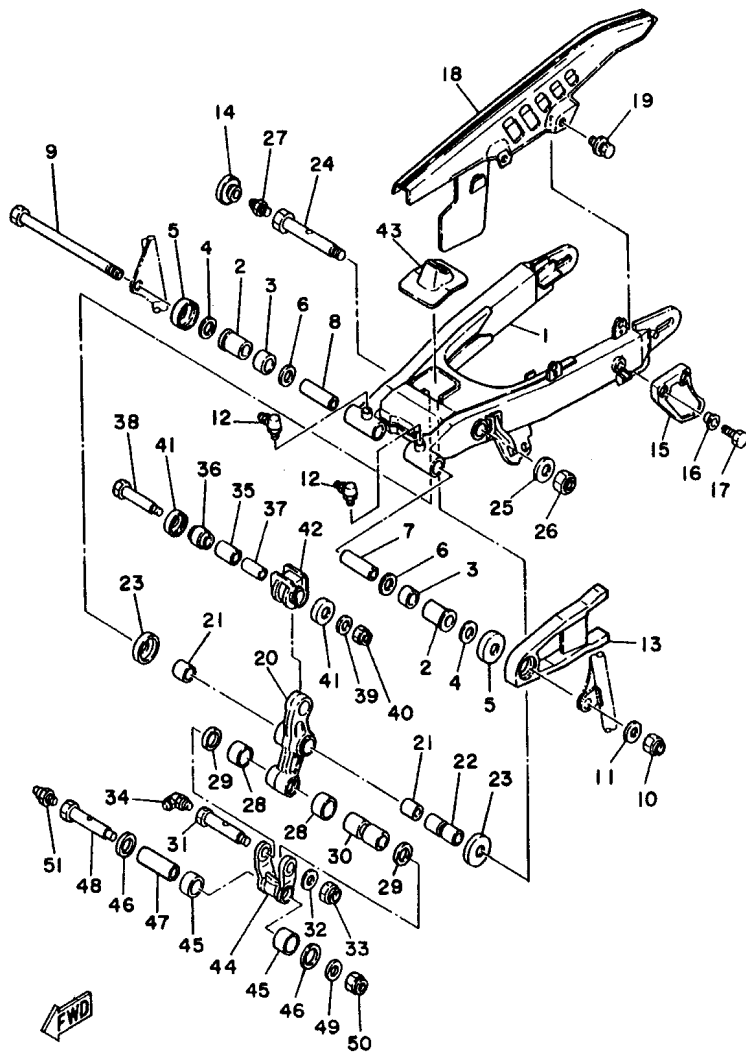
4BED100-6190

REF. NO.	PART NO.	DESCRIPTION	4BEN	4BEP	4BER	4FD7	REMARKS
1	3RW-21711-10	COVER, SIDE 1	1	1	1	1	
2	90480-01141	GROMMET	1	1	1	1	
3	98507-06016	SCREW, PAN HEAD	1	1	1	1	
4	90387-064J1	COLLAR	1	1	1	1	
5	90480-01141	GROMMET	1	1	1	1	
6	4U5-2176E-00	PLATE	1	1	1	1	
7	3RW-21721-10	COVER, SIDE 2	1	1	1	1	
8	98507-06016	SCREW, PAN HEAD	1	1	1	1	
9	90387-064J1	COLLAR	1	1	1	1	
10	4U5-2176E-00	PLATE	1	1	1	1	
11	90480-11224	GROMMET	1	1	1	1	
12	90480-01141	GROMMET	1	1	1	1	
13	3RW-2177A-02	BOX	1	1	1	1	
14	3RW-2173M-00	SEAL 3	1	1	1	1	
15	95807-06016	BOLT, FLANGE	1	1	1	1	
16	90387-06500	COLLAR	1	1	1	1	
17	90119-06117	BOLT, WITH WASHER	1	1	1	1	
18	4BE-2173E-50	GRAPHIC 1	1	1	1	1	
19	3RW-28100-01	TOOL KIT	1	1	1	1	
20	55V-28173-01	BOX, TOOL	1	1	1	1	
21	55V-28185-00	LID	1	1	1	1	
22	3RW-28267-00	DAMPER 5	1	1	1	1	
23	90119-06108	BOLT, WITH WASHER	2	2	2	2	
24	4BE-2173F-50	GRAPHIC 2	1	1	1	1	
25	3RW-2177F-00	COVER	1	1	1	1	
26	4BE-2179V-70	PLATE, EPA 1(NON CALIFORNIA)	1				
	4BE-2179N-70	PLATE, EPA 2(CALIFORNIA)			1		

FIG. 19 SIDE COVER



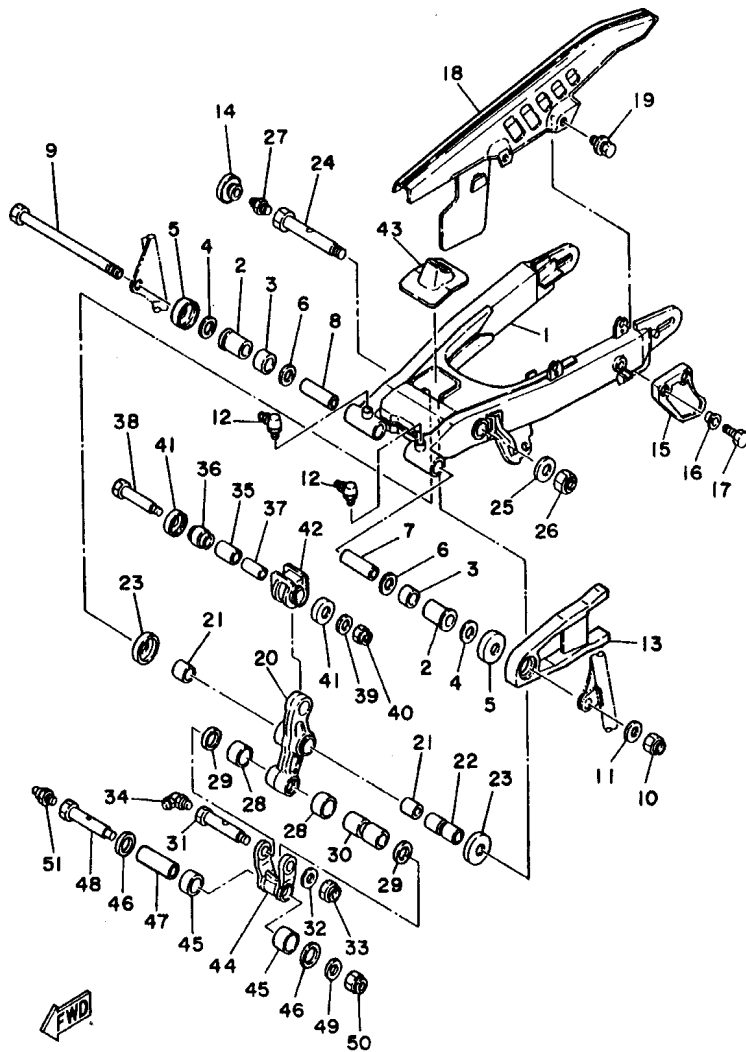
REF. NO.	PART NO.	DESCRIPTION	4BEN	4BEP	4BER	4FD7	REMARKS
27	90464-16021	CLAMP	1	1	1	1	



4BE1110-2200

FIG. 20 REAR ARM

REF. NO.	PART NO.	DESCRIPTION	4BEN	4BEP	4BER	4FD7	REMARKS
1	4BE-22110-00-35	REAR ARM COMP.	1	1	1	1	SL
2	90386-18146	BUSH	2	2	2	2	
3	90380-18139	BUSH, SOLID	2	2	2	2	
4	401-22127-00	SHIM	1	1	1	1	
5	401-22128-01	SEAL, GUARD	2	2	2	2	
6	93109-18020	OIL SEAL	2	2	2	2	
7	90387-121N2	COLLAR	1	1	1	1	
8	90387-127F2	COLLAR	1	1	1	1	
9	1KH-22141-00	SHAFT, PIVOT	1	1	1	1	
10	90185-12134	NUT, SELF-LOCKING	1	1	1	1	
11	90201-126A7	WASHER, PLATE	1	1	1	1	
12	93700-06005	NIPPLE, GREASE	2	2	2	2	
13	1KH-22151-00	SEAL, GUARD	1	1	1	1	
14	34L-22117-00	CAP	1	1	1	1	
15	38V-22199-00	SUPPORT, CHAIN	1	1	1	1	
16	90387-06737	COLLAR	2	2	2	2	
17	97007-06020	BOLT	2	2	2	2	
18	34X-22311-00	CASE, CHAIN	1	1	1	1	
19	90119-05062	BOLT, WITH WASHER	2	2	2	2	
20	3RW-2217A-00	ARM, RELAY	1	1	1	1	
21	90386-20120	BUSH	2	2	2	2	
22	90387-140J9	COLLAR	1	1	1	1	
23	34L-22128-00	COVER, THRUST 1	2	2	2	2	
24	90105-12668	BOLT, WASHER BASED	1	1	1	1	
25	90201-122H1	WASHER, PLATE	1	1	1	1	
26	95617-12100	NUT, U	1	1	1	1	
27	93700-06004	NIPPLE, GREASE	1	1	1	1	

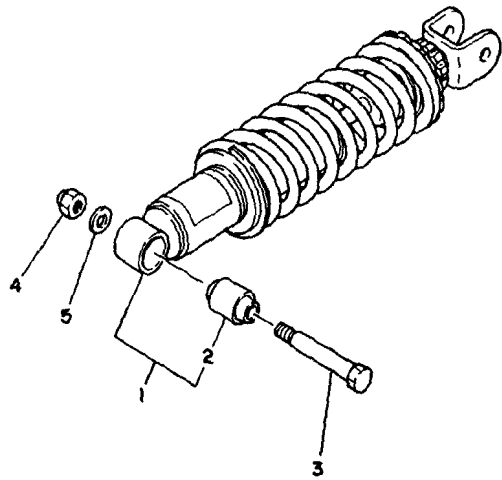


48E1110-2200

FIG. 20 REAR ARM

REF. NO.	PART NO.	DESCRIPTION	48EN	48EP	48ER	4FD7	REMARKS
28	90386-18115	BUSH	2	2	2	2	
29	93109-18020	OIL SEAL	2	2	2	2	
30	90387-126J8	COLLAR	1	1	1	1	
31	90109-10752	BOLT	1	1	1	1	
32	90201-100E9	WASHER, PLATE	1	1	1	1	
33	90185-10120	NUT, SELF-LOCKING	1	1	1	1	
34	93700-06005	NIPPLE, GREASE	1	1	1	1	
35	90380-16109	BUSH, SOLID	2	2	2	2	
36	22W-22124-00	BUSH 2	1	1	1	1	
37	90387-106G0	COLLAR	1	1	1	1	
38	90109-10689	BOLT	1	1	1	1	
39	90201-100E9	WASHER, PLATE	1	1	1	1	
40	90185-10120	NUT, SELF-LOCKING	1	1	1	1	
41	22W-22129-00	COVER, THRUST 2	2	2	2	2	
42	22W-22189-00	BOOT, RUBBER	1	1	1	1	
43	3RW-22189-00	BOOT, RUBBER	1	1	1	1	
44	1KH-2217F-00	ROD, CONNECTING 1	1	1	1	1	
45	90386-18115	BUSH	2	2	2	2	
46	93109-18020	OIL SEAL	2	2	2	2	
47	90387-121L6	COLLAR	1	1	1	1	
48	90109-10752	BOLT	1	1	1	1	
49	90201-100E9	WASHER, PLATE	1	1	1	1	
50	90185-10120	NUT, SELF-LOCKING	1	1	1	1	
51	93700-06004	NIPPLE, GREASE	1	1	1	1	

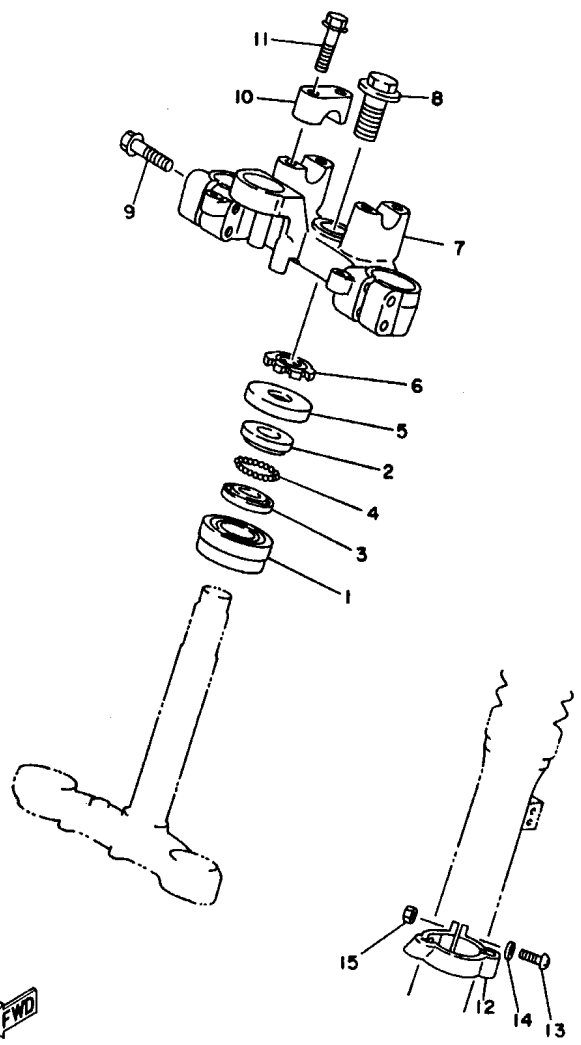
FIG. 21 REAR SUSPENSION



REF. NO.	PART NO.	DESCRIPTION	4BEV	4BEP	4BER	4FD7	REMARKS
1	4BE-22210-00-P0	SHOCK ABSORBER ASSY, REAR	1	1			LRYS1
	4BE-22210-10-P0	SHOCK ABSORBER ASSY (LRYS1)			1		LRYS1
	4BE-22210-20-P0	SHOCK ABSORBER ASSY (LRYS1)				1	LRYS1
2	1YW-22216-00	.BUSH, REAR SHOCK ABSORBER	1	1	1	1	
3	90105-10250	BOLT, WASHER BASED	1	1	1	1	
4	95607-10100	NUT, U	1	1	1	1	
5	90201-100E9	WASHER, PLATE	1	1	1	1	

FWD
IKH010-6210

D2



4BE11 10-2220

FIG. 22 STEERING

REF. NO.	PART NO.	DESCRIPTION	4BEN	4BEP	4BER	4FD7	REMARKS
1	93332-00008	BEARING	1	1	1	1	
2	22F-23411-01	RACE, BALL 1	1	1	1	1	
3	22F-23412-01	RACE, BALL 2	1	1	1	1	
4	93503-16003	BALL	22	22	22	22	
5	10V-23416-01	COVER, BALL RACE 2	1	1	1	1	
6	90179-25033	NUT	1	1	1	1	
7	4BE-23435-10	CROWN, HANDLE	1	1	1	1	
8	90105-14329	BOLT, WASHER BASED	1	1	1	1	
9	95027-08040	BOLT, FLANGE	4	4	4	4	
10	1E6-23441-10-35	HOLDER, HANDLE UPPER	2	2	2	2	SL
11	95827-08035	BOLT, FLANGE	4	4	4	4	
12	34X-23317-00	HOLDER, CABLE	1	1	1	1	
13	98507-05018	SCREW, PAN HEAD	1	1	1	1	
14	92907-05600	WASHER, PLATE	1	1	1	1	
15	95307-05600	NUT	1	1	1	1	

D3

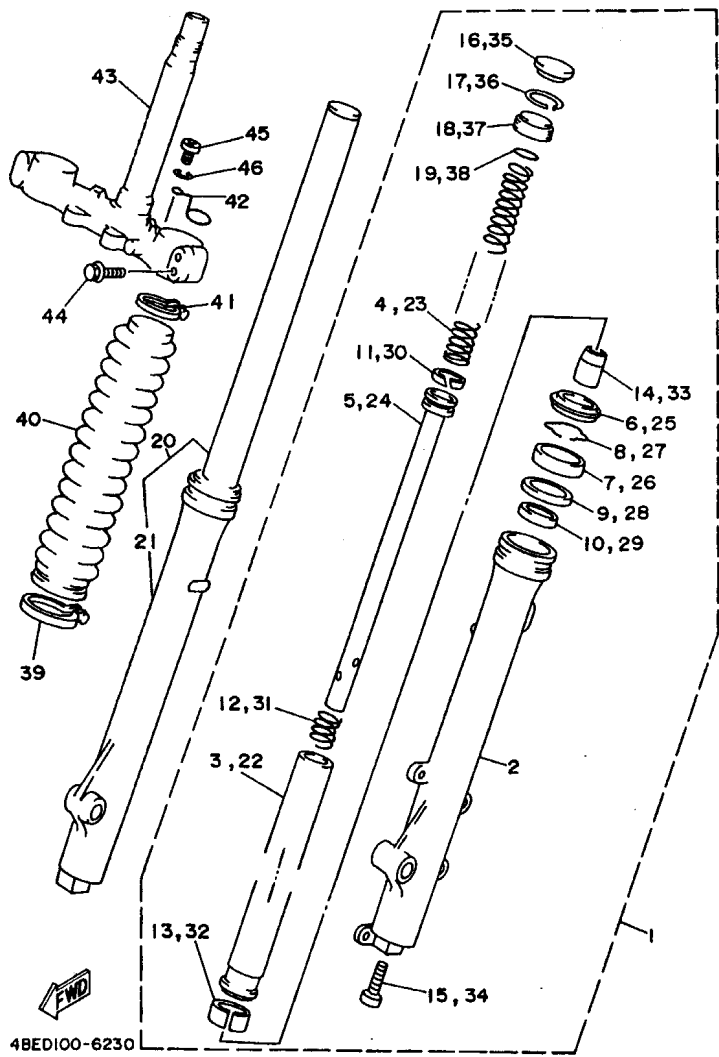
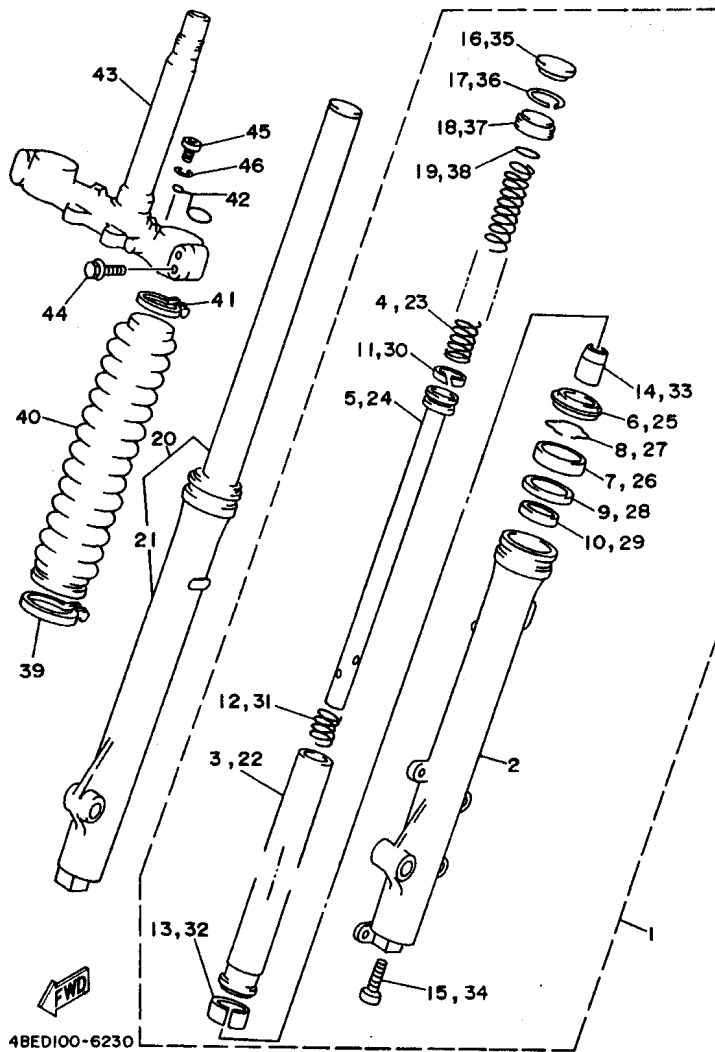


FIG. 23 FRONT FORK

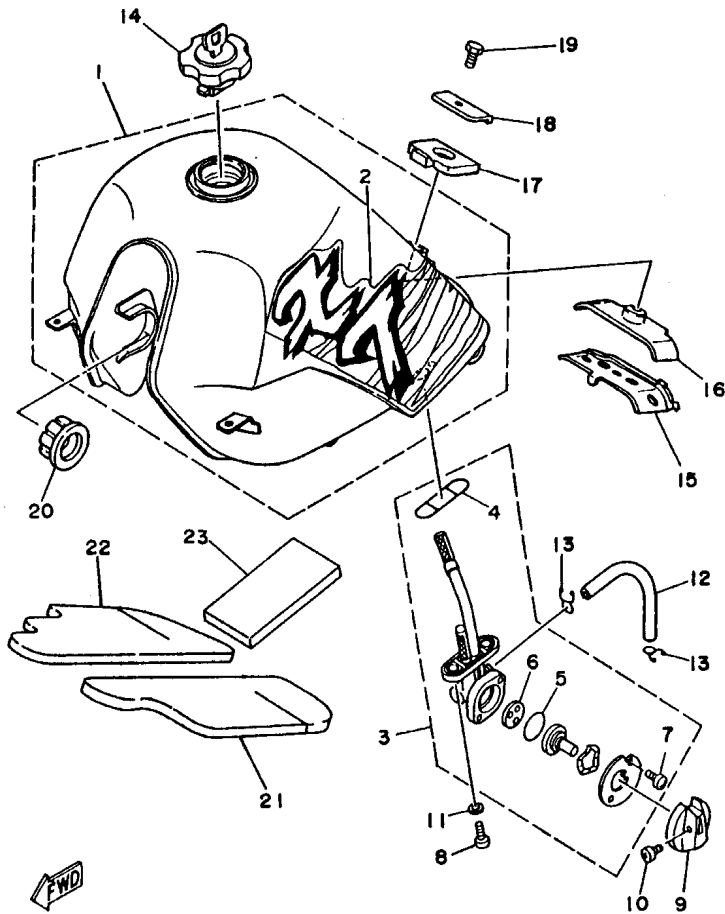
REF. NO.	PART NO.	DESCRIPTION	4BEN	4BEP	4BER	4FD7	REMARKS
1	3RW-23102-70	FRONT FORK ASSY (L.H)	1	1	1	1	
2	3RW-23126-00	.TUBE, OUTER (LEFT)	1	1	1	1	
3	3RW-23110-01	.INNER TUBE COMP.1	1	1	1	1	
4	3RW-23351-00	.SPRING	1	1	1	1	
5	4JG-23171-01	.PISTON, FRONT FORK	1	1	1	1	
6	1KH-23144-00	.SEAL, DUST	1	1	1	1	
7	1KH-23145-00	.OIL SEAL	1	1	1	1	
8	34X-23156-00	.CLIP, OIL SEAL	1	1	1	1	
9	1KH-23147-00	.SEAL, SPACER	1	1	1	1	
10	34X-23125-00	.METAL, SLIDE 1	1	1	1	1	
11	4JG-23157-00	.RING, PISTON	1	1	1	1	
12	34X-23151-00	.SPRING, REBOUND	1	1	1	1	
13	34X-23135-00	.METAL, SLIDE 2	1	1	1	1	
14	4JG-23166-00	.SPACER, OIL LOCK	1	1	1	1	
15	3M7-23181-00	.BOLT, HEXAGON SOCKET HEAD	1	1	1	1	WITH WASHER
16	35E-23168-00	.CAP, FRONT FORK	1	1	1	1	
17	35E-23183-00	.CIRCLIP	1	1	1	1	
18	35E-23111-00	.BOLT, CAP	1	1	1	1	
19	35E-23114-00	.GASKET	1	1	1	1	
20	3RW-23103-70	FRONT FORK ASSY (R.H)	1	1	1	1	
21	3RW-23136-00	.TUBE, OUTER (RIGHT)	1	1	1	1	
22	3RW-23110-01	.INNER TUBE COMP.1	1	1	1	1	
23	3RW-23351-00	.SPRING	1	1	1	1	
24	4JG-23171-01	.PISTON, FRONT FORK	1	1	1	1	
25	1KH-23144-00	.SEAL, DUST	1	1	1	1	
26	1KH-23145-00	.OIL SEAL	1	1	1	1	
27	34X-23156-00	.CLIP, OIL SEAL	1	1	1	1	

FIG. 23 FRONT FORK



REF. NO.	PART NO.	DESCRIPTION	48EN	48EP	48ER	4FD7	REMARKS
28	1KH-23147-00	.SEAL, SPACER	1	1	1	1	
29	34X-23125-00	.METAL, SLIDE 1	1	1	1	1	
30	4JG-23157-00	.RING, PISTON	1	1	1	1	
31	34X-23151-00	.SPRING, REBOUND	1	1	1	1	
32	34X-23135-00	.METAL, SLIDE 2	1	1	1	1	
33	4JG-23166-00	.SPACER, OIL LOCK	1	1	1	1	
34	3M7-23181-00	.BOLT, HEXAGON SOCKET HEAD	1	1	1	1	WITH WASHER
35	35E-23168-00	.CAP, FRONT FORK	1	1	1	1	
36	35E-23183-00	.CIRCLIP	1	1	1	1	
37	35E-23111-00	.BOLT, CAP	1	1	1	1	
38	35E-23114-00	.GASKET	1	1	1	1	
39	3RW-23192-00	BAND	2	2	2	2	
40	3RW-23191-20	BOOT	2	2	2	2	FBL
41	34X-23192-00	BAND	2	2	2	2	
42	10V-2331E-02	GUIDE, CABLE	1	1	1	1	
43	1RF-23340-00	UNDER BRACKET COMP.	1	1	1	1	
44	5X2-23181-L0	BOLT, HEXAGON SOCKET HEAD	2	2	2	2	
45	92506-06012	SCREW	1	1	1	1	
46	92906-06100	WASHER, SPRING	1	1	1	1	

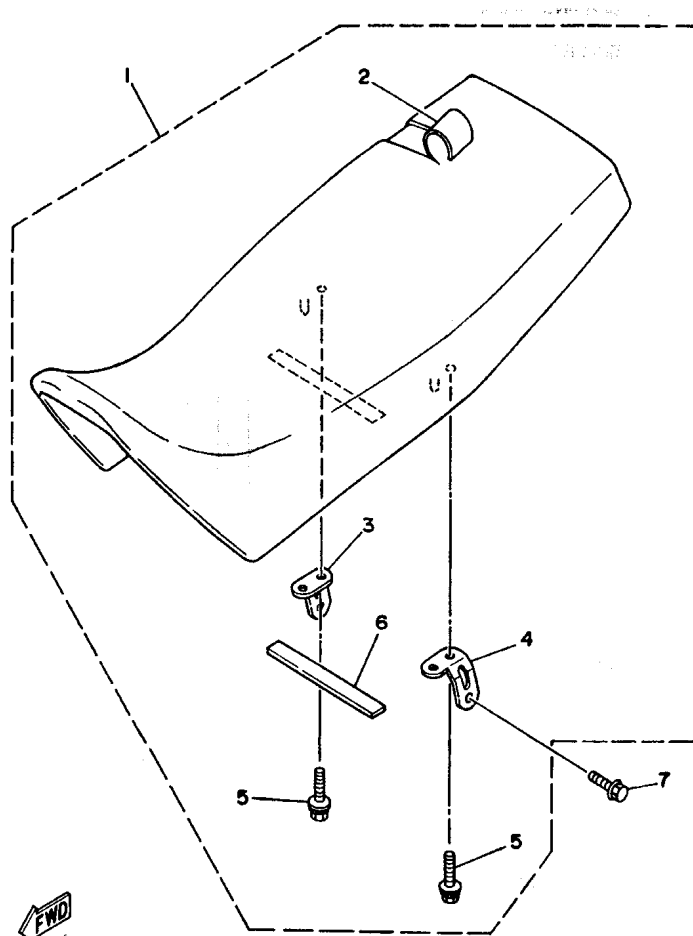
FIG. 24 FUEL TANK



4BEG100-7240

REF. NO.	PART NO.	DESCRIPTION	4BEN	4BEP	4BER	4FD7	REMARKS
1	3RW-24110-00-W7	FUEL TANK COMP.	1		1	1	PWS1
	4BE-24110-00-09	FUEL TANK COMP.		1			PWS1
2	4BE-24240-50	.GRAPHIC SET	1	1	1	1	
3	3RW-24500-00	FUEL COCK ASSY 1	1	1	1	1	
4	4X8-24512-00	.O-RING	1	1	1	1	
5	3AJ-24534-00	.SEAL, COCK	1	1	1	1	
6	3AJ-24523-00	.VALVE PACKING	1	1	1	1	
7	97801-03008	.SCREW, PAN HEAD	2	2	2	2	
8	90149-06011	SCREW	2	2	2	2	
9	4FD-24524-00	LEVER, COCK	1	1	1	1	
10	90157-03122	SCREW, PAN HEAD	1	1	1	1	
11	90202-05193	WASHER, PLATE	2	2	2	2	
12	90445-10007	HOSE	1	1	1	1	
13	90467-09006	CLIP	2	2	2	2	
14	11H-24602-03	CAP ASSY	1		1	1	
	51K-24602-01	CAP ASSY		1			
15	1KH-24187-00	WASHER, SPECIAL	1	1	1	1	
16	1KH-24182-00	DAMPER, LOCATING 2	1	1	1	1	
17	30X-24183-01	DAMPER, LOCATING 3	1	1	1	1	
18	30X-24186-01	WASHER, SPECIAL	1	1	1	1	
19	97007-06012	BOLT	1	1	1	1	
20	4H7-24181-00	DAMPER, LOCATING 1	2	2	2	2	
21	3RW-2414H-00	DAMPER, PLATE 1	1	1	1	1	
22	3RW-2414J-00	DAMPER, PLATE 2	1	1	1	1	
23	11H-21747-00	DAMPER	1	1	1	1	

D6

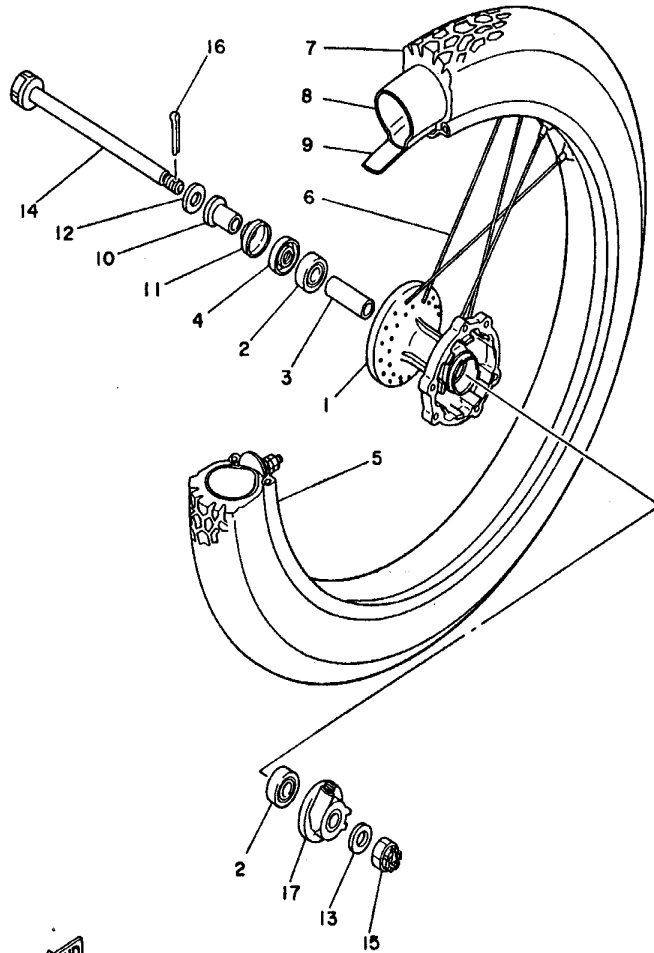


BED100-6250

FIG. 25 SEAT

REF. NO.	PART NO.	DESCRIPTION	4BEN	4BEP	4BER	4FD7	REMARKS
1	3RW-24730-70	DOUBLE SEAT ASSY	1	1	1	1	
2	3RW-24731-70	.COVER, SEAT	1	1	1	1	
3	3RW-24738-00	.BRACKET, SEAT	1	1	1	1	
4	3RW-24748-00	.BRACKET, SEAT	1	1	1	1	
5	95807-06016	.BOLT, FLANGE	2	2	2	2	
6	1KH-2475M-00	.SEAL	1	1	1	1	
7	90119-06094	BOLT, WITH WASHER	2	2	2	2	

D7

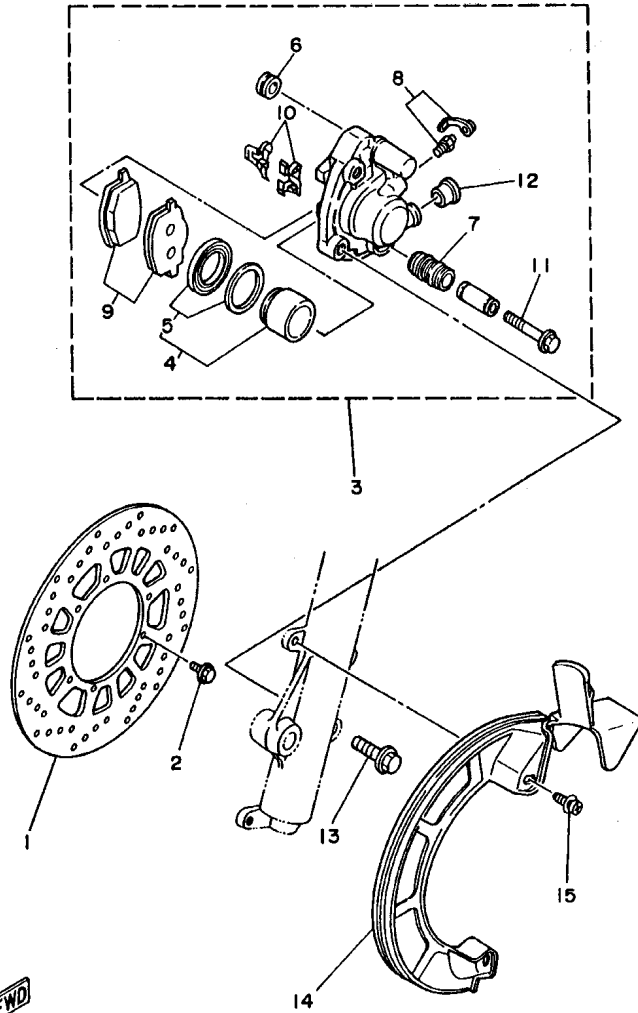


FWD
4BEA100-5260

FIG. 26 FRONT WHEEL

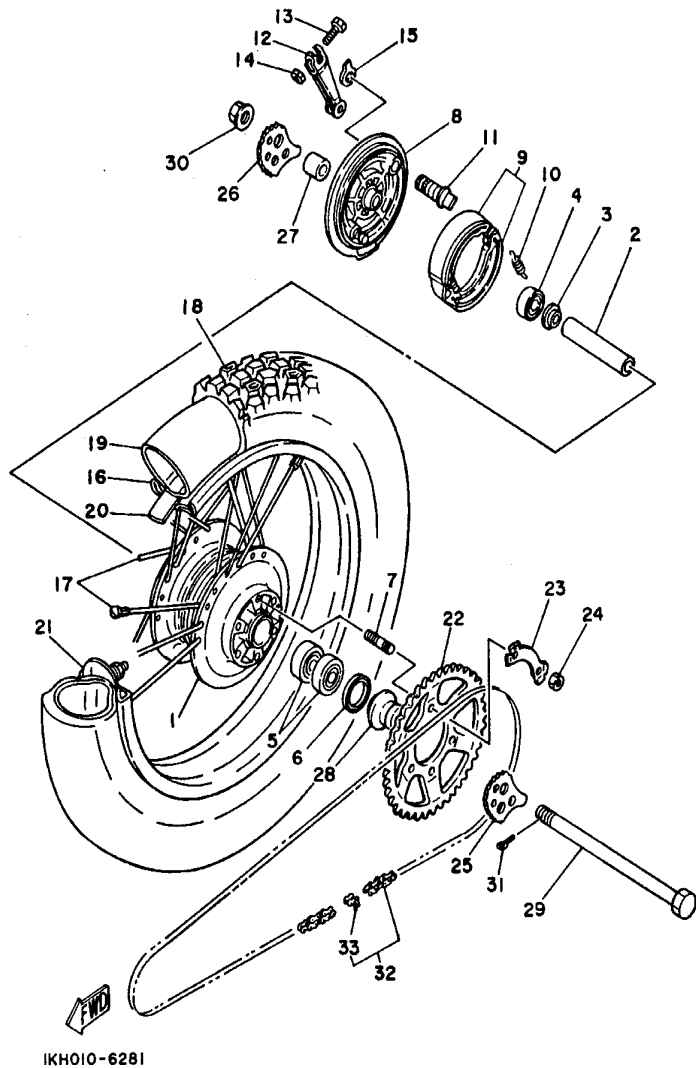
REF. NO.	PART NO.	DESCRIPTION	4BEA	4BEB	4BER	4FD7	REMARKS
1	34X-25111-02-35	HUB, FRONT	1	1	1	1	SL
2	93306-20205	BEARING (B6202)	2	2	2	2	
3	90560-15290	SPACER	1	1	1	1	
4	93102-20281	OIL SEAL (SD 20-35-5)	1	1	1	1	
5	94416-21536	RIM (1.60-21)	1	1	1	1	
6	1KH-25104-00	SPOKE SET, FRONT	1	1	1	1	
7	94127-212X0	TIRE(2.75-21 45P/TW27)	1	1	1	1	BRIDGESTONE
8	94227-21123	TUBE (2.75-21)	1	1	1	1	BRIDGESTONE
9	94330-21084	BAND, RIM (3.00-21)	1	1	1	1	BRIDGESTONE
10	90387-15600	COLLAR	1	1	1	1	
11	322-25118-00	COVER, HUB DUST	1	1	1	1	
12	90201-163H8	WASHER, PLATE	1	1	1	1	
13	90201-15785	WASHER, PLATE	1	1	1	1	
14	34X-25181-00	AXLE, WHEEL	1	1	1	1	
15	90171-14020	NUT, CASTLE	1	1	1	1	
16	91401-30030	PIN, COTTER	1	1	1	1	
17	34X-25190-01	GEAR UNIT ASSY	1	1	1	1	

FIG. 27 FRONT BRAKE CALIPER



REF. NO.	PART NO.	DESCRIPTION	4BEN	4BEP	4BER	4FD7	REMARKS
1	4JG-2582T-10	DISC, BRAKE	1	1	1		
	4JG-2582T-00	DISC, BRAKE				1	
2	90109-065G4	BOLT	6	6	6	6	
3	3BN-2580T-10	CALIPER ASSY (LEFT)	1	1	1	1	
4	34X-W0057-00	.PISTON ASSY, CALIPER	1	1	1	1	
5	34X-W0047-00	.CALIPER SEAL KIT	1	1	1	1	
6	5R2-25937-00	.BOOT 2	1	1	1	1	
7	34X-25937-00	.BOOT 2	1	1	1	1	
8	51L-W0048-00	.BLEED SCREW KIT	1	1	1	1	
9	3BN-W0045-01	.BRAKE PAD KIT	1	1	1	1	
10	34X-25919-00	.SUPPORT, PAD	2	2	2	2	
11	34X-25926-00	.BOLT	1	1	1	1	
12	34X-25845-00	.CAP, INDICATOR	1	1	1	1	
13	90105-10638	BOLT, WASHER BASED	2	2	2	2	
14	3RW-25715-20	COVER 1	1	1	1	1	
15	90159-06181	SCREW, WITH WASHER	2	2	2	2	

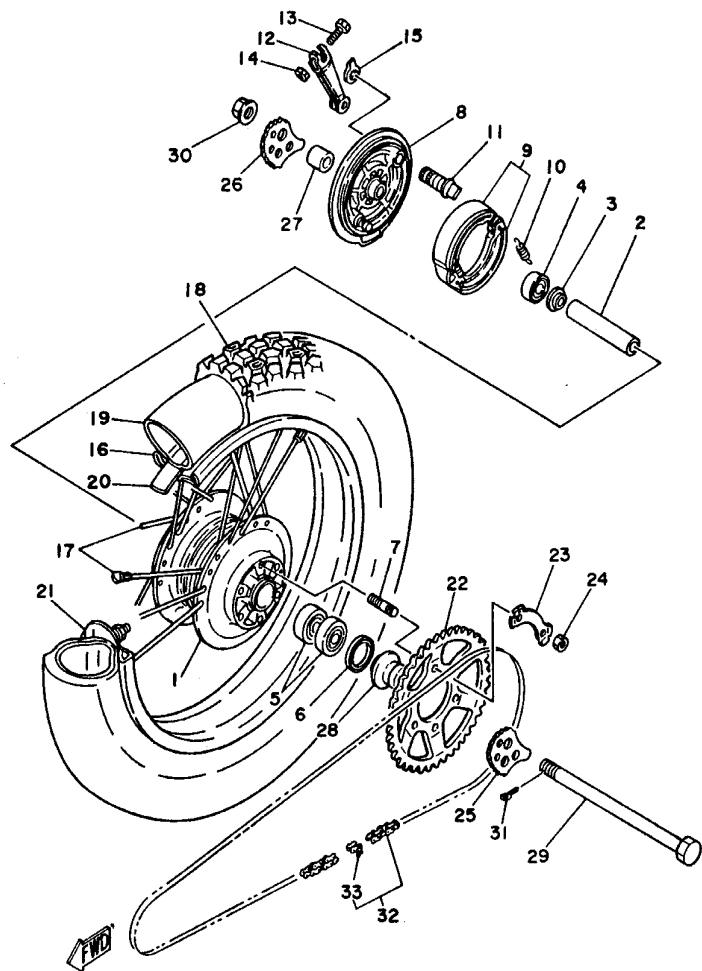
FWD
48ED100-6270



IKH010-6281

FIG. 28 REAR WHEEL

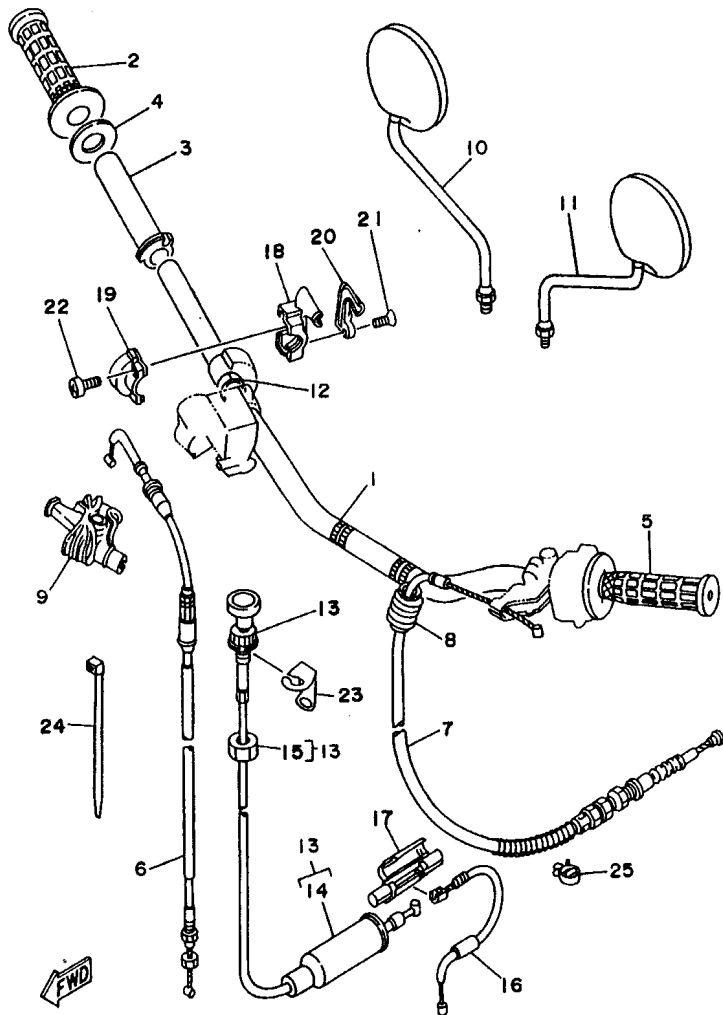
REF. NO.	PART NO.	DESCRIPTION	4BE1	4BE2	4BE3	4FD7	REMARKS
1	15A-25311-00-35	HUB, REAR	1	1	1	1	SL
2	90560-15313	SPACER	1	1	1	1	
3	183-25315-00	FLANGE, SPACER	1	1	1	1	
4	93306-20203	BEARING (B6202RS)	1	1	1	1	
5	93306-20205	BEARING (B6202)	2	2	2	2	
6	93104-22018	OIL SEAL	1	1	1	1	
7	90116-08218	BOLT, STUD	6	6	6	6	
8	15A-25321-04-35	PLATE, BRAKE SHOE	1	1	1	1	SL
9	4BE-W2536-00	BRAKE SHOE SET	1	1	1	1	
10	90506-15260	SPRING, TENSION	2	2	2	2	
11	3Y6-25351-00	CAMSHAFT	1	1	1	1	
12	5R0-25355-00	LEVER, CAMSHAFT	1	1	1	1	
13	90101-06278	BOLT	1	1	1	1	
14	95307-06600	NUT	1	1	1	1	
15	4H7-2533A-02	PLATE, INDICATOR	1	1	1	1	
16	94421-18426	RIM (2.15-18)	1	1	1	1	
17	23J-25304-00	SPOKE SET, REAR	1	1	1	1	
18	94112-182X1	TIRE (120/80-18 62P TW30)	1	1	1	1	BRIDGESTONE
19	94212-18230	TUBE(MC120/80-18S TR4)	1	1	1	1	BRIDGESTONE
20	94330-18087	BAND, RIM (3.00-18)	1	1	1	1	BRIDGESTONE
21	3Y1-25394-00	SPACER, BEAD	1	1	1	1	
22	1KH-25445-00	SPROCKET, DRIVEN (45T)	1	1	1	1	
23	90215-08160	WASHER, LOCK	3	3	3	3	
24	90170-08258	NUT	6	6	6	6	
25	5H0-25388-00	PULLER, CHAIN 1	1	1	1	1	
26	5H0-25389-00	PULLER, CHAIN 2	1	1	1	1	
27	90387-151R1	COLLAR	1	1	1	1	



IKHO10-6281

FIG. 28 REAR WHEEL

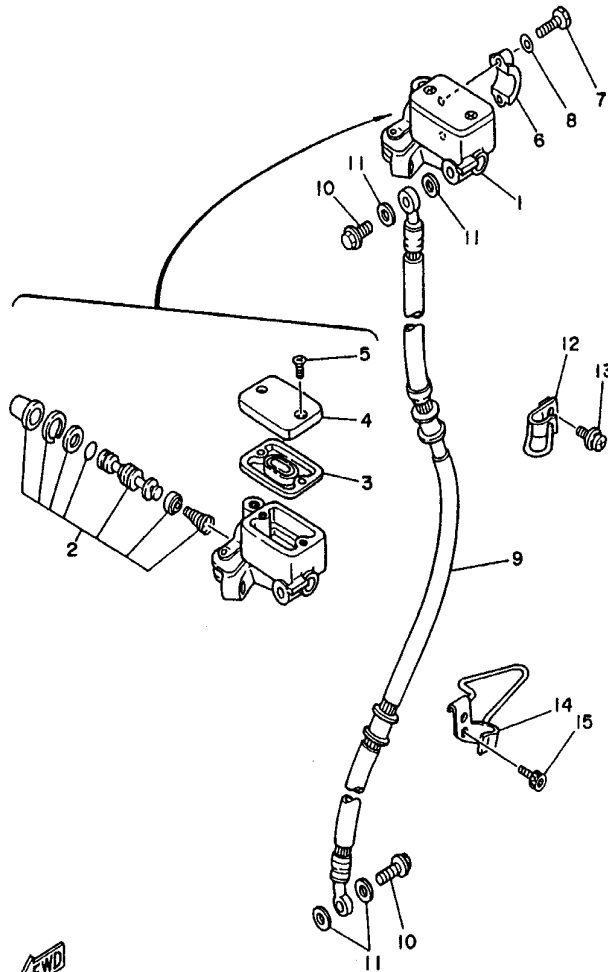
REF. NO.	PART NO.	DESCRIPTION	4BEN	4BEP	4BER	4FD7	REMARKS
28	1KH-25383-01	COLLAR, WHEEL	1	1	1	1	
29	31G-25381-00	AXLE, WHEEL	1	1	1	1	
30	90171-14031	NUT, CASTLE	1	1	1	1	
31	91401-30030	PIN, COTTER	1	1	1	1	
32	94581-33120	CHAIN (D.I.D.428V2-120L)	1	1	1	1	
33	94681-33011	JOINT, CHAIN (D.I.D.428V2-FJ)	1	1	1	1	



4BEG100-7290

FIG. 29 STEERING HANDLE. CABLE

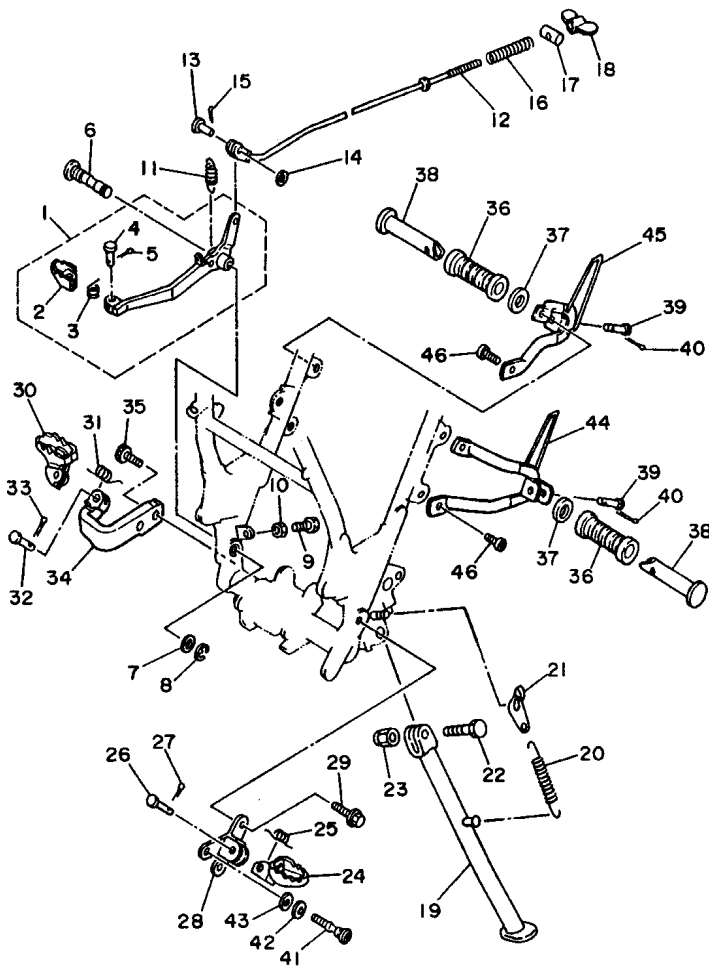
REF. NO.	PART NO.	DESCRIPTION	4BEN	4BEP	4BER	4FD7	REMARKS
1	4BE-26111-01	HANDLEBAR	1	1	1	1	
2	1LX-26242-01	GRIP (RIGHT)	1	1	1	1	
3	434-26243-12	TUBE, THROTTLE GUIDE	1	1	1	1	
4	1M1-26249-01	RING, LEAF	1	1	1	1	
5	1LX-26241-01	GRIP (LEFT)	1	1	1	1	
6	3RW-26311-10	CABLE, THROTTLE 1	1	1	1	1	
7	4JG-26335-01	CABLE, CLUTCH	1	1	1	1	
8	1E6-26342-00	BOOT, CABLE	1	1	1	1	
9	1T5-26372-00	COVER, HANDLE LEVER 1	1	1	1	1	
10	3Y1-26290-00	BACK MIRROR ASSY (R.H)	1	1	1		
	1Y1-26290-50	BACK MIRROR ASSY (L.H)				1	
11	3Y1-26290-10	BACK MIRROR ASSY (L.H)	1	1	1		
	1Y1-26290-60	BACK MIRROR ASSY (R.H)				1	
12	90387-22660	COLLAR	1	1	1	1	
13	1VJ-26331-03	CABLE, STARTER 1	1	1	1	1	
14	1YU-26329-00	.CAP, RUBBER	1	1	1	1	
15	1VJ-26333-00	.NUT	1	1	1	1	
16	3RW-26334-00	CABLE, STARTER 2	1	1	1	1	
17	53L-26261-01	CONNECTOR, CABLE	1	1	1	1	
18	38V-26281-00-98	CAP, GRIP UPPER	1	1	1	1	LGB
19	493-26282-00-98	CAP, GRIP LOWER	1	1	1	1	LGB
20	38V-2628H-00	CAP, WIRE	1	1	1	1	
21	98707-04012	SCREW, FLAT HEAD	2	2	2	2	
22	98507-05016	SCREW, PAN HEAD	2	2	2	2	
23	4BE-2637G-00	HOLDER, WIRE	1	1	1	1	
24	90465-13152	CLAMP	1	1	1	1	
25	90464-10193	CLAMP	1	1	1	1	



48ED100-6300

FIG. 30 FRONT MASTER CYLINDER

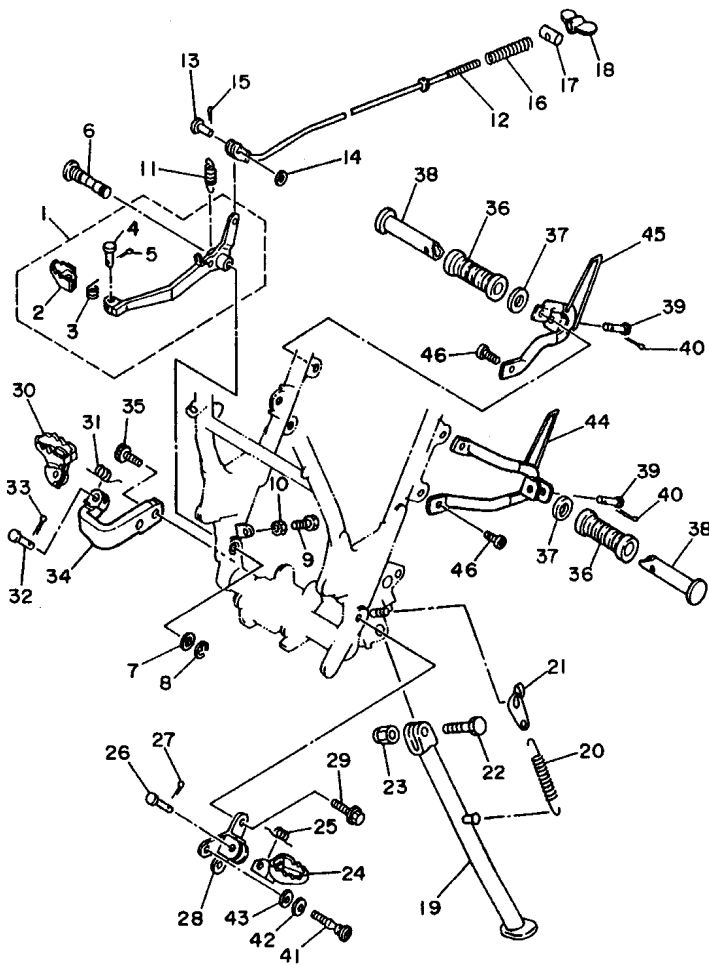
REF. NO.	PART NO.	DESCRIPTION	4BEN	4BEP	4BER	4FD7	REMARKS
1	3RW-25870-03	MASTER CYLINDER SUB ASSY	1	1	1	1	
2	3RW-W0041-02	.CYLINDER KIT, MASTER	1	1	1	1	
3	3RW-25854-00	.DIAPHRAGM, RESERVOIR	1	1	1	1	
4	3RW-25852-00	.CAP, RESERVOIR	1	1	1	1	
5	98706-04012	.SCREW, FLAT HEAD	2	2	2	2	
6	3RW-25867-00	BRACKET, MASTER CYLINDER	1	1	1	1	
7	97007-06025	BOLT	2	2	2	2	
8	92907-06600	WASHER, PLATE	2	2	2	2	
9	3RW-25872-02	HOSE, BRAKE 1	1	1	1	1	
10	90401-10159	BOLT, UNION	2	2	2	2	
11	90201-10118	WASHER, PLATE	4	4	4	4	
12	3RW-25875-00	HOLDER, BRAKE HOSE 1	1	1	1	1	
13	90119-06108	BOLT, WITH WASHER	1	1	1	1	
14	34X-25876-00	HOLDER, BRAKE HOSE 2	1	1	1	1	
15	91317-06010	BOLT	2	2	2	2	



4BEA100-5310

FIG. 31 STAND. FOOTREST

REF. NO.	PART NO.	DESCRIPTION	4BEN	4BEP	4BER	4FD7	REMARKS
1	1KH-27200-00	PEDAL, BRAKE	1	1	1	1	
2	55V-27242-00	.PEDAL, BRAKE	1	1	1	1	
3	90508-14352	.SPRING, TORSION	1	1	1	1	
4	91701-06022	.PIN, CLEVIS	1	1	1	1	
5	91401-20012	.PIN, COTTER	1	1	1	1	
6	1KH-27212-00	SHAFT, BRAKE PEDAL	1	1	1	1	
7	90201-12541	WASHER, PLATE	1	1	1	1	
8	93430-09038	CIRCLIP	1	1	1	1	
9	97027-06020	BOLT	1	1	1	1	
10	95307-06700	NUT	1	1	1	1	
11	90506-18305	SPRING, TENSION	1	1	1	1	
12	1KH-27231-01	ROD, BRAKE	1	1	1	1	
13	90240-06076	PIN, CLEVIS	1	1	1	1	
14	92907-06200	WASHER	1	1	1	1	
15	91401-20012	PIN, COTTER	1	1	1	1	
16	90501-10245	SPRING, COMPRESSION	1	1	1	1	
17	90249-12008	PIN	1	1	1	1	
18	90175-06013	NUT, WING	1	1	1	1	
19	4BE-27311-01	STAND, SIDE	1	1	1	1	
20	90506-29276	SPRING, TENSION	1	1	1	1	
21	42U-27315-01	LINK, SIDE STAND	1	1	1	1	
22	90109-10474	BOLT	1	1	1	1	
23	90185-10037	NUT, SELF-LOCKING	1	1	1	1	
24	22W-27411-01-90	FOOTREST 1	1	1	1	1	ZK
25	90508-20023	SPRING, TORSION	1	1	1	1	
26	90240-08084	PIN, CLEVIS	1	1	1	1	
27	91401-25015	PIN, COTTER	1	1	1	1	

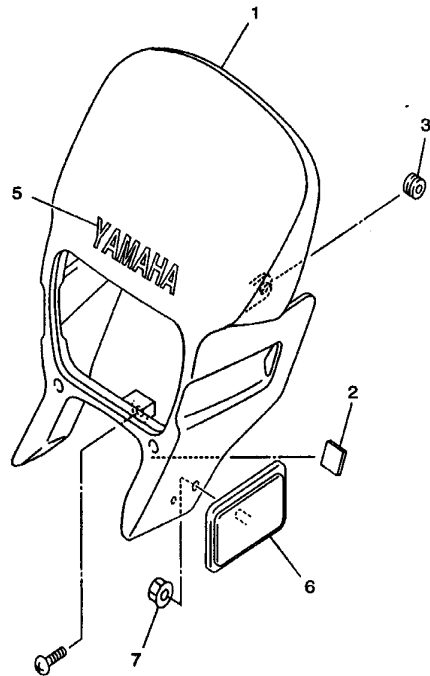


48EA100-5310

FIG. 31 STAND. FOOTREST

REF. NO.	PART NO.	DESCRIPTION	4BEN	4BEP	4BEF	4FD7	REMARKS
28	1KH-27412-00	BRACKET, FOOTREST 1	1	1	1	1	
29	95807-10016	BOLT, FLANGE	2	2	2	2	
30	1KH-27421-00-90	FOOTREST 2	1	1	1	1	ZK
31	90508-20155	SPRING, TORSION	1	1	1	1	
32	90240-08084	PIN, CLEVIS	1	1	1	1	
33	91401-25015	PIN, COTTER	1	1	1	1	
34	1KH-27422-01	BRACKET, FOOTREST 2	1	1	1	1	
35	91317-10020	BOLT	2	2	2	2	
36	120-27433-00	COVER, REAR FOOTREST	2	2	2	2	
37	90201-20279	WASHER, PLATE	2	2	2	2	
38	120-27431-00	FOOTREST, REAR 1	2	2	2	2	
39	91701-06032	PIN, CLEVIS	2	2	2	2	
40	91401-20012	PIN, COTTER	2	2	2	2	
41	4BP-27434-01	BOLT	1	1	1	1	
42	90201-120K4	WASHER, PLATE	1	1	1	1	
43	90201-08784	WASHER, PLATE	1	1	1	1	
44	3RW-27432-00	BRACKET 1	1	1	1	1	
45	3RW-27442-00	BRACKET 2	1	1	1	1	
46	92017-08020	BOLT, BUTTON HEAD	4	4	4	4	

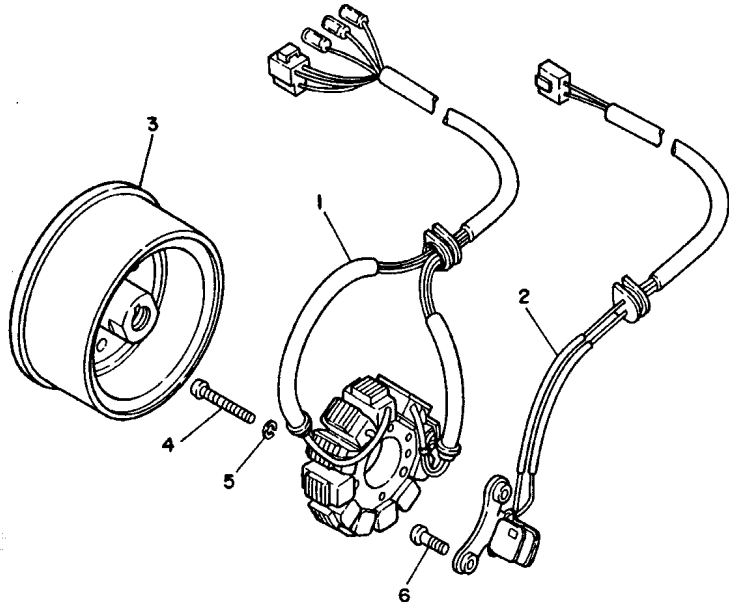
FIG. 32 COWLING 1




4BEM100-8320

REF. NO.	PART NO.	DESCRIPTION	4BEN	4BEP	4BER	4FD7	REMARKS
1	4BE-28351-30	BODY, COWLING	1	1	1		
	3TB-28351-60	BODY, COWLING				1	
2	3TB-28217-00	DAMPER 1	2	2	2	2	
3	90480-12053	GROMMET	2	2	2	2	
4	90149-06263	SCREW	1	1	1	1	
5	99247-00100	EMBLEM, YAMAHA	1	1	1	1	
6	23V-85110-00	REFLECTOR ASSY	2	2	2		
7	95707-05500	NUT, FLANGE	2	2	2		

FIG. 33 GENERATOR

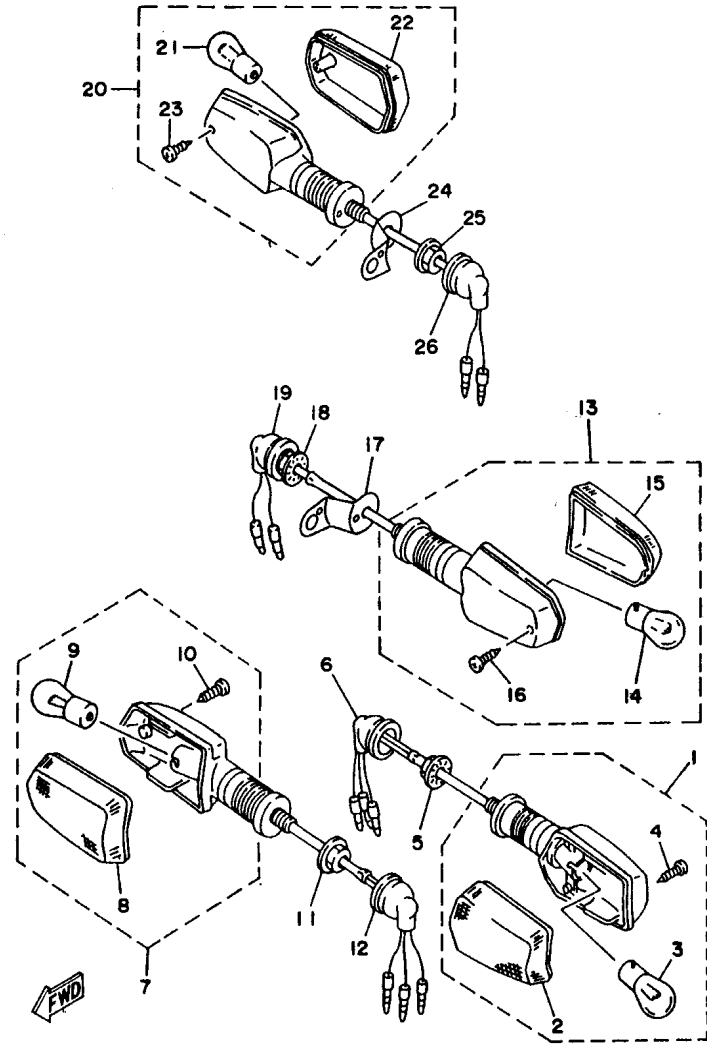


REF. NO.	PART NO.	DESCRIPTION	4BEN	4BEP	4BER	4FD7	REMARKS
1	4BE-81410-01	STATOR ASSY	1	1	1	1	
2	3RW-85580-01	COIL, PULSER	1	1	1	1	
3	2YG-85550-01	ROTOR ASSY	1	1	1	1	
4	98507-05030	SCREW, PAN HEAD	3	3	3	3	
5	92907-05100	WASHER, SPRING	3	3	3	3	
6	98507-06020	SCREW, PAN HEAD	2	2	2	2	



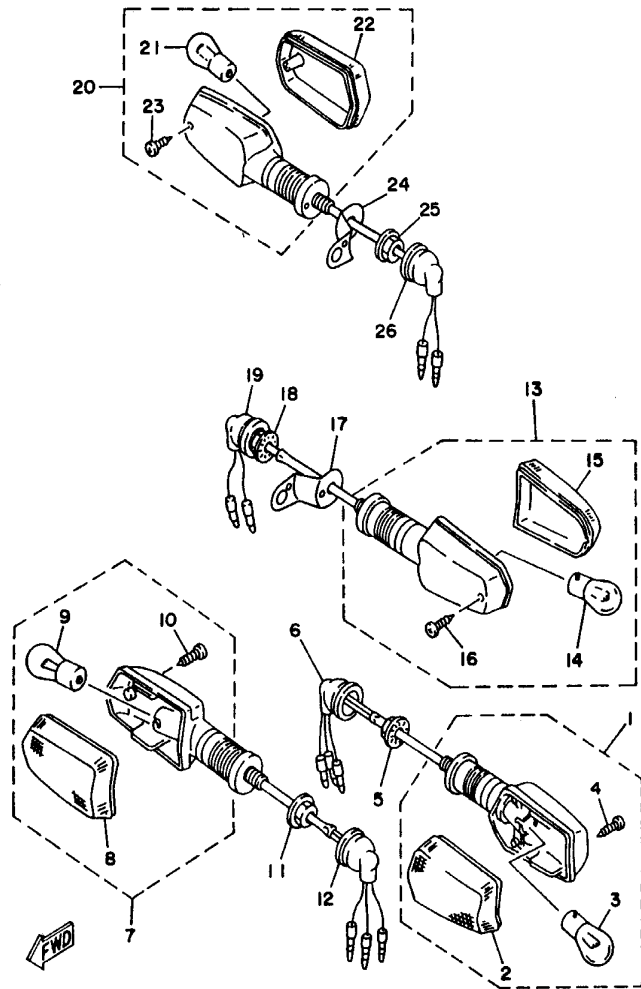
2YG110-8311

FIG. 35 FLASHER LIGHT



48E1110-2350

REF. NO.	PART NO.	DESCRIPTION	48EN	48EP	48ER	4FD7	REMARKS
1	1UF-83310-00	FRONT FLASHER LIGHT ASSY 1	1	1	1		
	51J-83310-00	FRONT FLASHER LIGHT ASSY 1				1	
2	51L-83332-01	.LENS, FLASHER	1	1	1	1	
3	256-84714-61	.BULB (12V-27/8W)	1	1	1		
	306-83311-40	.BULB, FLASHER (12V-21W)				1	
4	97707-40620	.SCREW, TAPPING	1	1	1	1	
5	95307-12700	NUT	1	1	1	1	
6	18G-83365-00	CAP	1	1	1	1	
7	1UF-83320-00	FRONT FLASHER LIGHT ASSY 2	1	1	1		
	51J-83320-00	FRONT FLASHER LIGHT ASSY 2				1	
8	51L-83342-01	.LENS, FLASHER 2	1	1	1	1	
9	256-84714-61	.BULB (12V-27/8W)	1	1	1		
	306-83311-40	.BULB, FLASHER (12V-21W)				1	
10	97707-40620	.SCREW, TAPPING	1	1	1	1	
11	95307-12700	NUT	1	1	1	1	
12	18G-83365-00	CAP	1	1	1	1	
13	4BE-83330-00	REAR FLASHER LIGHT ASSY 1	1	1	1		
	4FD-83330-00	REAR FLASHER LIGHT ASSY 1				1	
14	256-83311-70	.BULB (12V-27W)	1	1	1		
	306-83311-40	.BULB, FLASHER (12V-21W)				1	
15	1LJ-83332-00	.LENS, FLASHER	1	1	1	1	
16	97707-40520	.SCREW, TAPPING	1	1	1	1	
17	4BE-83368-10	STAY, FLASHER 1	1	1	1	1	
18	95307-12700	NUT	1	1	1	1	
19	10V-83365-00	CAP	1	1	1	1	
20	4BE-83340-00	FLASHER LIGHT ASSY 2	1	1	1		
	4FD-83340-00	FLASHER LIGHT ASSY 2				1	

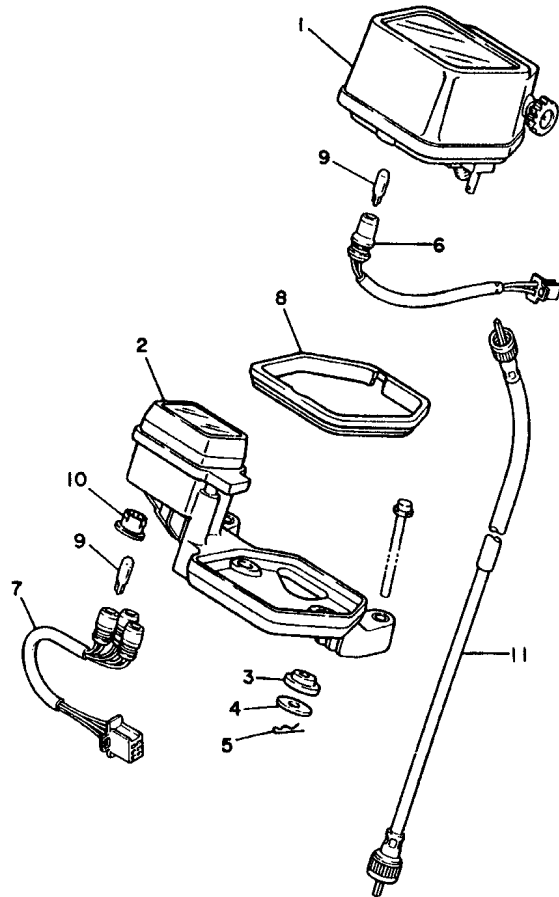


4BE1110-2350

FIG. 35 FLASHER LIGHT

REF. NO.	PART NO.	DESCRIPTION	4BE1	4BEP	4BER	4FD7	REMARKS
21	256-83311-70	.BULB (12V-27W)	1	1	1		
	306-83311-40	.BULB, FLASHER (12V-21W)				1	
22	1LJ-83342-00	.LENS, FLASHER 2	1	1	1	1	
23	97707-40520	.SCREW, TAPPING	1	1	1	1	
24	4BE-83369-10	STAY, FLASHER 2	1	1	1	1	
25	95307-12700	NUT	1	1	1	1	
26	10V-83365-00	CAP	1	1	1	1	

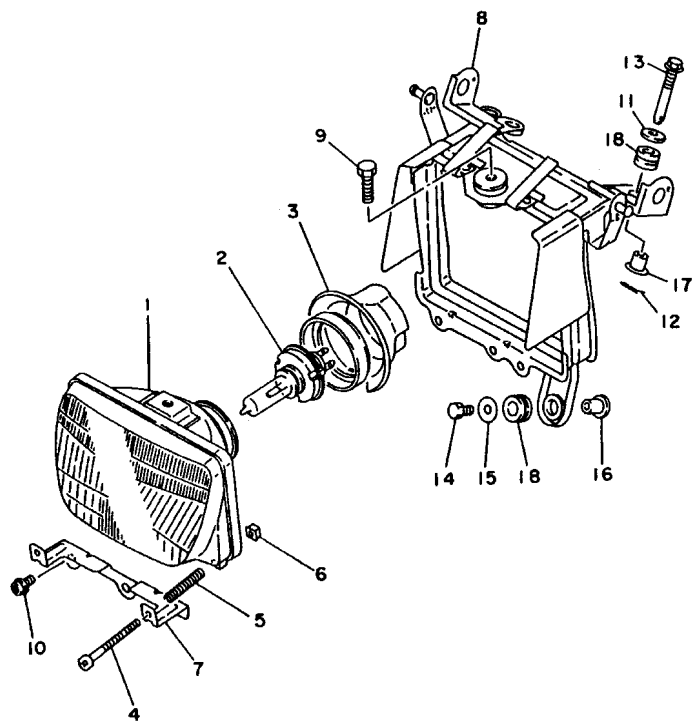
FIG. 36 METER



REF. NO.	PART NO.	DESCRIPTION	4BEN	4BEP	4BER	4FD7	REMARKS
1	4BE-83580-00	SPEEDOMETER ASSY	1	1			
	3TB-83570-00	SPEEDOMETER ASSY			1	1	KPH
2	4BE-8355A-00	BRACKET, METER	1	1			
	3YP-8355A-10	BRACKET, METER			1	1	
3	1M1-83526-00	DAMPER 2	2	2	2	2	
4	90201-05033	WASHER, PLATE	2	2	2	2	
5	437-83525-00	CLIP	2	2	2	2	
6	3TB-83536-00	SOCKET, METER	1	1	1	1	
7	3YP-83520-00	SOCKET CORD ASSY	1	1	1	1	
8	5Y1-83513-00	DAMPER	1	1	1	1	
9	4G1-84744-00	BULB (12V-3.4W)	4	4	4	4	
10	4BE-8352K-00	PLUG, BLIND	1	1	1	1	
11	1RH-83550-02	SPEEDOMETER CABLE ASSY	1	1	1	1	


4FD1710-3360

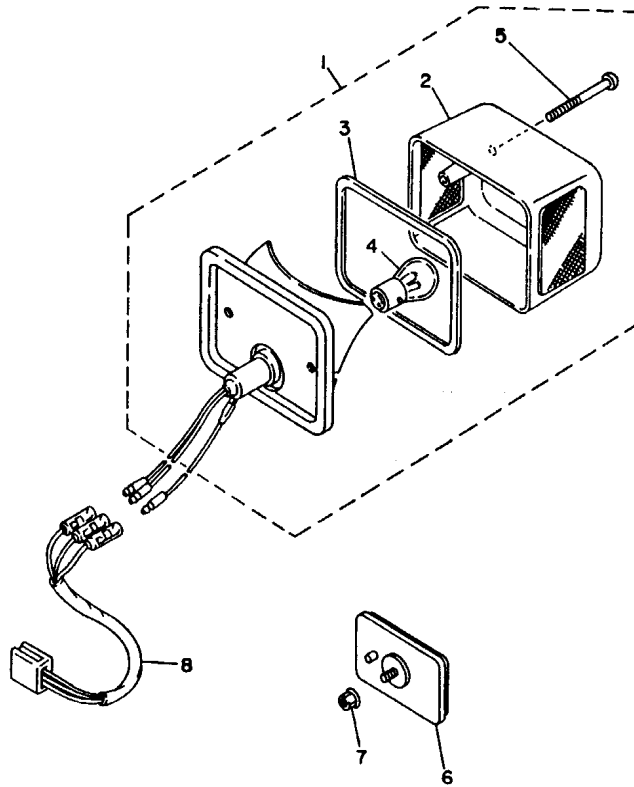
FIG. 37 HEADLIGHT




4BE1110-2370

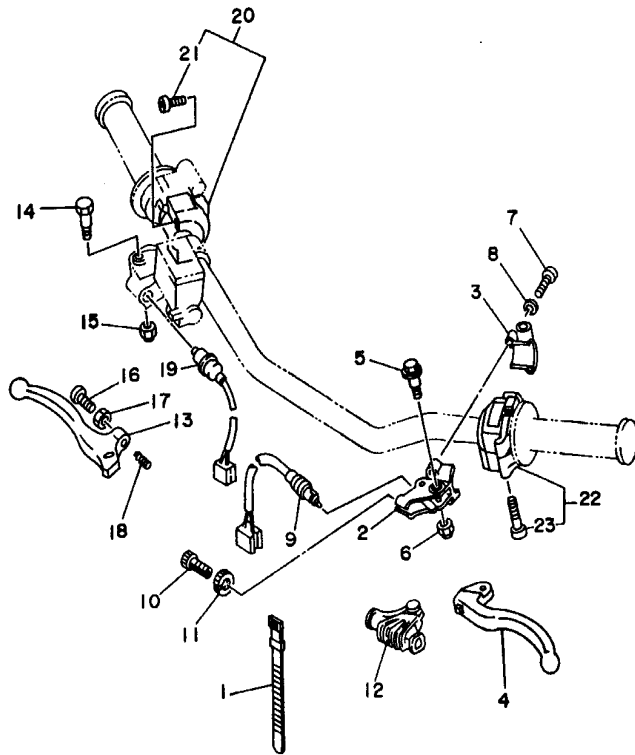
REF. NO.	PART NO.	DESCRIPTION	4BEN	4BEP	4BER	4FD7	REMARKS
1	4BE-84320-00	LENS ASSY	1	1	1	1	
2	1FM-84314-H0	BULB (12V-35/35W)	1	1	1	1	HALOGEN
3	2F9-84397-01	COVER, SOCKET	1	1	1	1	
4	3TB-84325-00	SCREW, RIM FITTING	2	2	2	2	
5	5G2-84332-60	SPRING, SCREW	2	2	2	2	
6	198-84334-60	NUT, ADJUSTING	2	2	2	2	
7	3TB-8431R-00	STAY, SETTING	1	1	1	1	
8	4BE-84311-00	BODY, HEADLIGHT	1	1	1	1	
9	3TB-84372-01	BOLT, LAMP STAY	1	1	1	1	
10	3TB-84329-00	BOLT, WING 1	2	2	2	2	
11	90202-06013	WASHER, PLATE	2	2	2	2	
12	90468-12120	CLIP	2	2	2	2	
13	3TB-84137-00	BOLT, SPECIAL	2	2	2	2	
14	97027-06020	BOLT	1	1	1		
	97027-06025	BOLT				1	
15	90201-06557	WASHER, PLATE	1	1	1	1	
16	90387-063E6	COLLAR	1	1	1	1	
17	90387-07391	COLLAR	2	2	2	2	
18	90480-14102	GROMMET	3	3	3	3	

FIG. 38 TAILLIGHT



REF. NO.	PART NO.	DESCRIPTION	4BEN	4BEP	4BER	4FDZ	REMARKS
1	1W9-84710-61	TAILLIGHT UNIT ASSY	1	1	1		
	56U-84710-41	TAILLIGHT UNIT ASSY				1	
2	1M1-84521-60	.LENS, TAILLIGHT	1	1	1		
	1M8-84521-40	.LENS, TAILLIGHT				1	
3	1M1-84523-60	.GASKET, LENS	1	1	1	1	
4	256-84714-61	.BULB (12V-27/8W)	1	1	1		
	1A2-84714-41	.BULB (12V-21/5W)				1	
5	1M1-84524-60	.SCREW, LENS FITTING	2	2	2	2	
6	3G1-85130-01	REAR REFLECTOR ASSY	1	1	1		
	4KM-85130-00	REAR REFLECTOR ASSY				1	
7	95707-05500	NUT, FLANGE	1	1	1	1	
8	4BE-84717-00	CORD, TAILLIGHT	1	1	1	1	


4BE7100-4380



FWD
3RW4010-2380

FIG. 39 HANDLE SWITCH. LEVER

REF. NO.	PART NO.	DESCRIPTION	4BEN	4BEP	4BER	4FD7	REMARKS
1	437-83936-01	BAND, SWITCH CORD	4	4	4	4	
2	1LN-82911-00	HOLDER, LEVER 1	1	1	1	1	
3	33G-82913-01	HOLDER, LEVER LOWER 1	1	1	1	1	
4	23X-83912-00	LEVER 1	1	1	1	1	
5	90109-06799	BOLT	1	1	1	1	
6	95607-06100	NUT, U	1	1	1	1	
7	98507-05020	SCREW, PAN HEAD	2	2	2	2	
8	92907-05100	WASHER, SPRING	2	2	2	2	
9	5U0-82917-00	SWITCH	1	1	1	1	
10	90123-08046	BOLT	1	1	1	1	
11	90179-08148	NUT	1	1	1	1	
12	1E6-26372-00	COVER, HANDLE LEVER 1	1	1	1	1	
13	55Y-83922-00	LEVER 2	1	1	1	1	
14	90109-06577	BOLT	1	1	1	1	
15	95607-06100	NUT, U	1	1	1	1	
16	90149-06131	SCREW	1	1	1	1	
17	90170-06010	NUT	1	1	1	1	
18	90501-10312	SPRING, COMPRESSION	1	1	1	1	
19	34X-83980-01	FRONT STOP SWITCH ASSY	1	1	1	1	
20	4DW-83975-00	SWITCH, HANDLE 2	1	1	1	1	
21	98507-05018	SCREW, PAN HEAD	2	2	2	2	
22	3RW-83973-11	SWITCH, HANDLE 3	1	1	1	1	
23	98506-05030	SCREW, PAN HEAD	2	2	2	2	

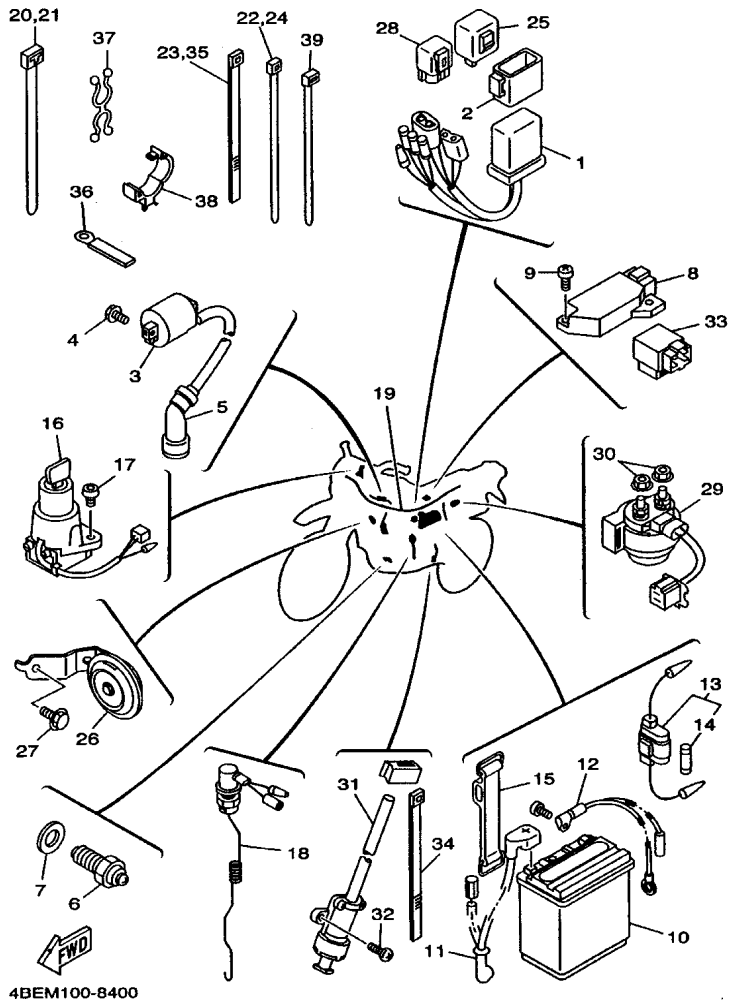


FIG. 40 ELECTRICAL 1

REF. NO.	PART NO.	DESCRIPTION	4BEN	4BEP	4BER	4FD7	REMARKS
1	4BE-85540-01	C.D.I. UNIT ASSY	1	1	1	1	
2	3RW-85546-00	BAND	1	1	1	1	
3	4BE-82310-10	IGNITION COIL ASSY	1	1	1	1	
4	95027-06016	BOLT, FLANGE	2	2	2	2	
5	3NS-82370-00	PLUG CAP ASSY	1	1	1	1	
6	4KM-82540-00	NEUTRAL SWITCH ASSY	1	1	1	1	
7	90430-10148	GASKET	1	1	1	1	
8	3TJ-81960-02	RECTIFIER & REGULATOR ASSY	1	1	1	1	
9	98507-06025	SCREW, PAN HEAD	2	2	2	2	
10	4BE-82100-11	BATTERY ASSY (YTX7L-BS)	1	1	1	1	
11	4JG-82115-00	WIRE, PLUS LEAD	1	1	1	1	
12	4JG-82116-00	WIRE, MINUS LEAD	1	1	1	1	
13	2TV-82150-02	FUSE HOLDER ASSY	1	1	1	1	
14	4X7-82151-00	.FUSE (15A)	1	1	1	1	
15	3L8-82131-01	BAND, BATTERY	1	1	1	1	
16	2HV-82501-00	MAIN SWITCH STEERING LOCK	1	1	1	1	
17	90149-06228	SCREW	2	2	2	2	
18	5BT-82530-00	STOP SWITCH ASSY	1	1	1	1	
19	4BE-82590-01	WIRE HARNESS ASSY	1	1	1		
	4FD-82590-01	WIRE HARNESS ASSY				1	
20	90464-20044	CLAMP	1	1	1	1	
21	90464-20044	CLAMP	2	2	2	2	
22	90465-13152	CLAMP	1	1	1	1	
23	90464-16061	CLAMP	3	3	3	3	
24	90465-13152	CLAMP	2	2	2	2	
25	4BE-83350-00	FLASHER RELAY ASSY	1	1	1	1	
26	3RW-83371-00	HORN	1	1	1	1	

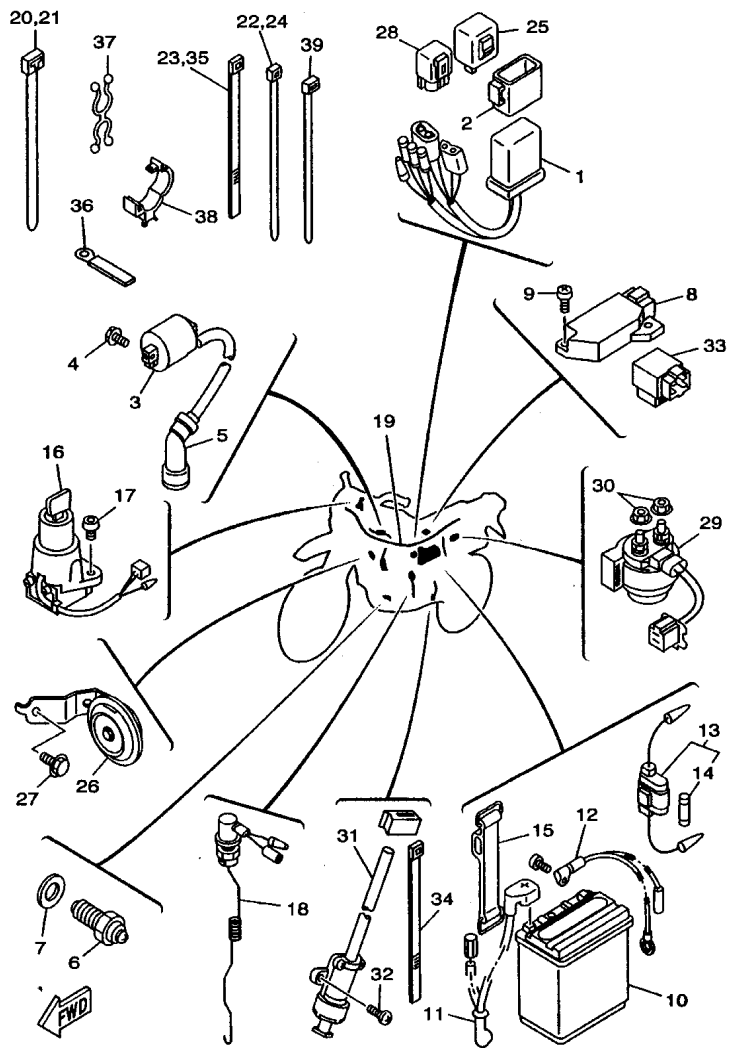


FIG. 40 ELECTRICAL 1

REF. NO.	PART NO.	DESCRIPTION	4BEN	4BEP	4BER	4FD7	REMARKS
27	95807-06010	BOLT, FLANGE	1	1	1	1	
28	3RW-81950-00	RELAY ASSY	1	1	1	1	
29	3AY-81940-00	STARTER RELAY ASSY	1	1	1	1	
30	95707-06500	NUT, FLANGE	2	2	2	2	
31	3LD-82566-40	SWITCH, SIDE STAND	1	1	1	1	
32	98507-05016	SCREW, PAN HEAD	2	2	2	2	
33	29U-81950-93	RELAY ASSY	1	1	1	1	
34	90464-16061	CLAMP	1	1	1	1	
35	90464-16061	CLAMP	1	1	1	1	
36	90465-06332	CLAMP	1	1	1	1	
37	90464-16115	CLAMP	1	1	1	1	
38	90464-16061	CLAMP	1	1	1	1	
39	90464-10190	CLAMP	3	3	3	3	

NUMERICAL INDEX

PARTNO.	GRID NO.	PARTNO.	GRID NO.	PARTNO.	GRID NO.	PARTNO.	GRID NO.	PARTNO.	GRID NO.	PARTNO.	GRID NO.
3RW-W0041-02	D - 13	1KH-12171-00	B - 7	4JG-14412-00	B - 9	4H7-15580-10	B - 15	1KH-21315-01	C - 8	34X-22311-00	C - 14
3BN-W0045-01	D - 9	2LN-12176-00	B - 7	3RW-14422-00	B - 9	1J7-15583-01	B - 15	3RW-21316-01-35	C - 8	3RW-23102-70	D - 4
34X-W0047-00	D - 9	2HT-12210-10	B - 7	34X-1443E-00	B - 9	5H0-16111-00	C - 2	4BE-21316-00-35	C - 8	3RW-23103-70	D - 4
51L-W0048-00	D - 9	4FM-12213-00	B - 7	1KH-14437-01	B - 9	1KH-16150-00	C - 2	4BE-2139T-00	C - 9	3RW-23110-01	D - 4
34X-W0057-00	D - 9	5H0-12231-00	B - 7	2LN-14437-00	B - 9	2LN-16154-00	C - 2	3RW-21471-00	C - 8	35E-23111-00	D - 4
3RW-W2131-10	C - 9	5N0-12241-00	B - 7	1KH-14451-00	B - 9	36X-16321-00	C - 2	1KH-21485-00	C - 8		D - 5
4BE-W2132-00	C - 9	5H0-13300-02	B - 8	12R-14452-00	B - 9	537-16321-00	C - 2	34L-21485-00	C - 8	35E-23114-00	D - 4
4BE-W2536-00	D - 10	5H0-13326-01	B - 8	3RW-14453-01	B - 9	137-16324-00	C - 2	36X-21485-00	C - 8		D - 5
3RW-11101-03	B - 2	5H0-13327-00	B - 8	1KH-14458-00	B - 9	5H0-16351-00	C - 2	4BE-21511-00	C - 11	34X-23125-00	D - 4
5H0-1111F-00	B - 2	4BE-13329-00	B - 8	1KH-14462-00	B - 9	4JG-16356-00	C - 2	3WF-2153E-70	C - 11		D - 5
5H0-11133-11	B - 2	51Y-13411-00	B - 8	36Y-14462-00	B - 9	5H0-16357-00	C - 2	3RW-21611-10	C - 11	3RW-23126-00	D - 4
1KH-11145-00	B - 5	5H0-13440-00	B - 8	4JG-14472-00	B - 9	1W1-16358-01	C - 2	4BE-21637-00	C - 11	34X-23135-00	D - 4
15A-11161-01	B - 3	3AW-13447-00	B - 8	2LN-14561-00	B - 10	2LN-16371-00	C - 2	3RW-21639-00	C - 11		D - 5
15A-11162-00	B - 3	16G-13569-00	B - 9	3RW-14611-00	B - 12	4JG-16380-01	C - 2	42U-21639-00	C - 11	3RW-23136-00	D - 4
5H0-11162-00	B - 3	2LN-13586-01	B - 9	4FD-14611-00	B - 12	1KH-16383-00	C - 2	4FD-21685-00	C - 11	1KH-23144-00	D - 4
1KH-11166-01	B - 13	3RW-1410A-10	B - 11	5H0-14612-00	B - 12	1KH-17121-00	C - 4	34X-21691-00	C - 11	1KH-23145-00	D - 4
59V-11181-00	B - 2	2LN-14103-00	B - 11	4BE-14613-00	B - 12	1KH-17131-01	C - 4	3RW-21711-10	C - 12	1KH-23147-00	D - 4
3RW-11185-00	B - 2	12R-14105-00	B - 11	3RW-14628-00	B - 12	5H0-17141-02	C - 4	3RW-21721-10	C - 12		D - 5
3RW-11186-00	B - 2	4BE-14105-00	B - 11	4BE-14711-00	B - 12	1KH-17151-00	C - 4	4BE-2173E-50	C - 12	34X-23151-00	D - 4
3RW-11187-00	B - 2	1UY-14107-20	B - 11	4FD-14711-00	B - 12	1KH-17211-00	C - 4	4BE-2173F-50	C - 12		D - 5
3RW-11310-00	B - 3	3F9-14118-00	B - 11	3YF-14714-00	B - 12	1KH-17221-00	C - 4	3RW-2173M-00	C - 12	34X-23156-00	D - 4
4BD-11351-00	B - 3	22F-14126-00	B - 10	1KH-14728-01	B - 12	1KH-17231-00	C - 4	2J5-21732-00	C - 9	4JG-23157-00	D - 4
3RW-11400-00	B - 4	812-14137-00	B - 10	3TB-14728-00	B - 12	17T-17241-02	C - 4	11H-21747-00	D - 6		D - 5
1KH-11454-00	B - 4	22F-14139-00	B - 10	1RH-14752-01	B - 12	1EV-17251-00	C - 4	4U5-2176E-00	C - 12	4JG-23166-00	D - 4
5H0-11496-00	B - 4	620-1414A-75	B - 11	4BD-14766-00	B - 12	17T-17251-02	C - 4	3RW-2177A-02	C - 12		D - 5
2LN-11530-00	B - 4	3RW-14141-50	B - 11	26H-1490H-00	B - 10	17T-17402-00	C - 4	3RW-2177F-00	C - 12	35E-23168-00	D - 4
5H0-11536-00	B - 4	4BE-14141-31	B - 11	3RW-1490J-00	B - 11	4JG-17411-00	C - 4	4BE-2179N-70	C - 12		D - 5
29U-11610-00	B - 4	4G0-14142-40	B - 11	4BE-1490J-00	B - 11	5H0-17456-00	C - 5	4BE-2179V-70	C - 12	4JG-23171-01	D - 4
29U-11610-20	B - 4	4G0-14142-42	B - 11	3RW-14901-01	B - 10	1KH-17460-00	C - 4	4BE-22110-00-35	C - 14	3M7-23181-00	D - 4
29U-11610-40	B - 4	2LN-14147-00	B - 11	4BE-14901-01	B - 10	1KH-18110-00	C - 7	34L-22117-00	C - 14		D - 5
1KH-11631-01-A0	B - 4	878-14147-00	B - 10	4BE-14901-11	B - 10	1KH-18112-00	C - 7	22W-22124-00	C - 15	5X2-23181-L0	D - 5
15A-11633-00	B - 4	137-14153-00	B - 10	2LN-14933-00	B - 10	1W6-18113-00	C - 7	401-22127-00	C - 14	35E-23183-00	D - 4
1KH-11636-01	B - 4	36X-14169-00	B - 10	2LN-14940-00	B - 11	16G-18115-00	C - 7	34L-22128-00	C - 14		D - 5
1KH-11638-01	B - 4	2A2-14172-12	B - 10	2A2-14997-00	B - 10	5H0-18120-02	C - 7	401-22128-01	C - 14	3RW-23191-20	D - 5
29U-11651-00	B - 4	2A2-14172-16	B - 10	3RW-15100-02	B - 13	1RH-18140-00	C - 6	22W-22129-00	C - 15	3RW-23192-00	D - 5
5H0-11681-00	B - 4	2LN-14185-00	B - 11	55X-15167-00	B - 14	2H9-18154-00	C - 7	1KH-22141-00	C - 14	34X-23192-00	D - 5
5H0-12111-01	B - 6	2VA-14185-00	B - 11	5H0-15351-00	B - 8	4JG-18185-00	C - 6	1KH-22151-00	C - 14	10V-2331E-02	D - 5
11H-12113-00	B - 6	537-14186-00	B - 10	3Y1-15361-00	B - 14	4JG-18511-00	C - 6	3RW-2217A-00	C - 14	34X-23317-00	D - 3
11H-12114-00	B - 6	12R-14191-00	B - 10	3Y1-15363-00	B - 14	4JG-18512-01	C - 6	1KH-2217F-00	C - 15	1RF-23340-00	D - 5
4G0-12116-01	B - 6	4BE-14193-00	B - 11	4BE-15411-00	B - 14	4JG-18513-00	C - 6	30X-22178-00	C - 8	3RW-23351-00	D - 4
4G0-12117-00	B - 6	4BE-14196-00	B - 10	3RW-15420-00	B - 14	3GX-18531-00	C - 6	4V4-22184-00	C - 8	22F-23411-01	D - 3
4G0-12118-00	B - 6	55X-14196-00	B - 10	3RW-15431-01	B - 14	3GX-18535-00	C - 6	22W-22189-00	C - 15	22F-23412-01	D - 3
5H0-12119-00	B - 6	2LN-14197-00	B - 10	4JG-15441-01	B - 13	4JG-18540-00	C - 6	3RW-22189-00	C - 15	10V-23416-01	D - 3
5H0-12121-01	B - 6	29U-14197-00	B - 10	4BE-15451-03	B - 14	136-18542-00	C - 6	38V-22199-00	C - 14	4BE-23435-10	D - 3
5H0-12146-00	B - 6		B - 11	4BE-15462-00	B - 14	4BE-21110-21-35	C - 8	4BE-22210-00-P0	D - 2	1E6-23441-10-35	D - 3
29U-12151-00	B - 6	3RW-14197-00	B - 10	2HT-15512-00	B - 15	4FD-21110-11-35	C - 8	4BE-22210-10-P0	D - 2	3RW-24110-00-W7	D - 6
5H0-12156-00	B - 6	620-14231-26	B - 11	4JG-15517-00	B - 15	4JG-21165-10	C - 9	4BE-22210-20-P0	D - 2	4BE-24110-00-09	D - 6
2NX-12159-00	B - 6	3RW-14411-01	B - 9	5H0-15521-00	B - 15	5H0-21308-01	C - 9	1YW-22216-00	D - 2	3RW-2414H-00	D - 6

NUMERICAL INDEX

PARTNO.	GRID NO.	PARTNO.	GRID NO.	PARTNO.	GRID NO.	PARTNO.	GRID NO.	PARTNO.	GRID NO.	PARTNO.	GRID NO.
3RW-2414J-00	D-6	3RW-25867-00	D-13	55V-28173-01	C-12	4BE-83350-00	E-11	4G1-84744-00	E-7	90157-03122	D-6
4BE-24170-00	C-9	3RW-25870-03	D-13	55V-28185-00	C-12	10V-83365-00	E-5	23V-85110-00	E-2	90159-05011	C-2
20K-24180-00	C-9	3RW-25872-02	D-13	3TB-28217-00	E-2		E-6	3G1-85130-01	E-9	90159-06016	B-9
4H7-24181-00	D-8	3RW-25875-00	D-13	3RW-28267-00	C-12	18G-83365-00	E-5	4KM-85130-00	E-9	90159-06181	D-9
1KH-24182-00	D-6	34X-25876-00	D-13	3TB-28351-60	E-2	4BE-83366-10	E-5	4BE-85540-01	E-11	90170-06010	E-10
30X-24183-01	D-6	34X-25919-00	D-9	4BE-28351-30	E-2	4BE-83369-10	E-6	3RW-85546-00	E-11	90170-06128	B-6
30X-24186-01	D-6	34X-25926-00	D-9	4BE-81410-01	E-3	3RW-83371-00	E-11	2YG-85550-01	E-3	90170-06289	C-7
1KH-24187-00	D-6	34X-25937-00	D-9	4JG-81800-00	E-4	5Y1-83513-00	E-7	3RW-85580-01	E-3	90170-08258	D-10
4BE-24240-50	D-6	5R2-25937-00	D-9	50M-81801-M0	E-4	4BE-8352K-00	E-7	90101-06278	D-10	90170-14284	B-5
4BE-24244-50	C-9	4BE-26111-01	D-12	59V-81828-M0	E-4	3YP-83520-00	E-7	90101-10188	B-5		C-2
4BE-24245-50	C-9	1LX-26241-01	D-12	3RW-8183G-00	E-4	437-83525-00	E-7	90101-10303	B-7	90171-14020	D-8
3RW-24500-00	D-6	1LX-26242-01	D-12	3AY-81940-00	E-12	1M1-83526-00	E-7	90105-08024	C-8	90171-14031	D-11
4X8-24512-00	D-6	434-26243-12	D-12	29U-81950-93	E-12	3TB-83536-00	E-7	90105-08195	B-2	90175-06013	D-14
3AJ-24523-00	D-6	1M1-26249-01	D-12	3RW-81950-00	E-12	3YP-8355A-10	E-7	90105-08408	C-8	90179-08148	E-10
4FD-24524-00	D-6	53L-26261-01	D-12	3TJ-81960-02	E-11	4BE-8355A-00	E-7	90105-08721	C-8	90179-25033	D-3
3AJ-24534-00	D-6	38V-2628H-00	D-12	4BE-82100-11	E-11	1RH-83550-02	E-7	90105-10250	D-2	90185-10037	D-14
11H-24602-03	D-6	38V-26281-00-98	D-12	4JG-82115-00	E-11	3TB-83570-00	E-7	90105-10638	D-9	90185-10120	C-15
51K-24602-01	D-6	493-26282-00-98	D-12	4JG-82116-00	E-11	4BE-83580-00	E-7	90105-12668	C-14	90185-12134	C-14
3RW-24730-70	D-7	1Y1-26290-50	D-12	3L8-82131-01	E-11	23X-83912-00	E-10	90105-14329	D-3	90201-04018	C-9
3RW-24731-70	D-7	1Y1-26290-60	D-12	2TV-82150-02	E-11	55Y-83922-00	E-10	90109-06419	B-8	90201-05033	E-7
3RW-24738-00	D-7	3Y1-26290-00	D-12	4X7-82151-00	E-11	437-83936-01	E-10	90109-065G4	D-9	90201-06557	E-8
3RW-24748-00	D-7	3Y1-26290-10	D-12	4BE-82310-10	E-11	3RW-83973-11	E-10	90109-06577	E-10	90201-08326	B-12
1KH-2475M-00	D-7	3RW-26311-10	D-12	3NS-82370-00	E-11	4DW-83975-00	E-10	90109-06799	E-10	90201-08366	C-8
1KH-25104-00	D-8	1YU-26329-00	D-12	2HV-82501-00	E-11	34X-83980-01	E-10	90109-082G0	B-12	90201-08609	B-2
34X-25111-02-35	D-8	1VJ-26331-03	D-12	5BT-82530-00	E-11	3TB-84137-00	E-8	90109-08705	C-8	90201-08753	C-9
322-25118-00	D-8	1VJ-26333-00	D-12	4KM-82540-00	E-11	3TB-8431R-00	E-8	90109-10474	D-14	90201-08784	D-15
34X-25181-00	D-8	3RW-26334-00	D-12	3LD-82566-40	E-12	4BE-84311-00	E-8	90109-10689	C-15	90201-100E9	C-15
34X-25190-01	D-8	4JG-26335-01	D-12	4BE-82590-01	E-11	1FM-84314-H0	E-8	90109-10752	C-15		D-2
23J-25304-00	D-10	1E6-26342-00	D-12	4FD-82590-01	E-11	4BE-84320-00	E-8	90116-08218	D-10	90201-10118	D-13
15A-25311-00-35	D-10	4BE-2637G-00	D-12	1LN-82911-00	E-10	3TB-84325-00	E-8	90119-05062	C-14	90201-10508	B-5
183-25315-00	D-10	1E6-26372-00	E-10	33G-82913-01	E-10	3TB-84329-00	E-8	90119-06056	C-11	90201-10591	B-7
15A-25321-04-35	D-10	1T5-26372-00	D-12	5U0-82917-00	E-10	5G2-84332-60	E-8	90119-06063	C-11	90201-120K4	D-15
4H7-2533A-02	D-10	1KH-27200-00	D-14	1UF-83310-00	E-5	198-84334-60	E-8	90119-06094	C-9	90201-122H1	C-14
3Y6-25351-00	D-10	1KH-27212-00	D-14	51J-83310-00	E-5	3TB-84372-01	E-8		D-7	90201-12541	D-14
5R0-25355-00	D-10	1KH-27231-01	D-14	256-83311-70	E-5	2F9-84397-01	E-8	90119-06108	C-12	90201-12588	C-7
31G-25381-00	D-11	55V-27242-00	D-14		E-6	1M1-84521-60	E-9		D-13	90201-126A7	C-14
1KH-25383-01	D-11	4BE-27311-01	D-14	306-83311-40	E-5	1M8-84521-40	E-9	90119-06117	C-12	90201-13409	C-9
5H0-25388-00	D-10	42U-27315-01	D-14		E-6	1M1-84523-60	E-9	90119-06172	B-9	90201-15785	D-8
5H0-25389-00	D-10	22W-27411-01-90	D-14	1UF-83320-00	E-5	1M1-84524-60	E-9	90123-08046	E-10	90201-163H8	D-8
3Y1-25394-00	D-10	1KH-27412-00	D-15	51J-83320-00	E-5	4BE-84527-00	C-11	90149-06011	D-6	90201-164K2	C-4
1KH-25445-00	D-10	1KH-27421-00-90	D-15	4BE-83330-00	E-5	4BE-84551-00	C-11	90149-06131	E-10	90201-17257	C-4
3RW-25715-20	D-9	1KH-27422-01	D-15	4FD-83330-00	E-5	4FD-84559-00	C-11	90149-06228	E-11	90201-201E4	B-4
3BN-2580T-10	D-9	120-27431-00	D-15	1LJ-83332-00	E-5	1W9-84710-61	E-9	90149-06263	E-2	90201-20279	D-15
4JG-2582T-10	D-9	3RW-27432-00	D-15	51L-83332-01	E-5	56U-84710-41	E-9	90149-08067	C-2	90201-203E7	C-4
4JG-2582T-10	D-9	120-27433-00	D-15	4BE-83340-00	E-5	1A2-84714-41	E-9	90151-06013	C-6	90201-25290	B-15
34X-25845-00	D-9	4BP-27434-01	D-15	4FD-83340-00	E-5	256-84714-61	E-5	90151-06025	C-9	90202-05193	D-6
3RW-25852-00	D-13	3RW-27442-00	D-15	1LJ-83342-00	E-6		E-9	90153-06029	B-2	90202-06013	E-8
3RW-25854-00	D-13	3RW-28100-01	C-12	51L-83342-01	E-5	4BE-84717-00	E-9	90154-05013	B-9	90206-06090	B-12



NUMERICAL INDEX

PARTNO.	GRID NO.	PARTNO.	GRID NO.	PARTNO.	GRID NO.	PARTNO.	GRID NO.	PARTNO.	GRID NO.	PARTNO.	GRID NO.
90209-17285	C- 4	90387-151R1	D- 10	90480-16185	C- 9	92907-06100	C- 9	93410-22039	C- 4	95707-05500	E- 2
90209-18208	C- 4	90387-15600	D- 8	90501-04596	B- 15	92907-06200	C- 2	93420-28055	C- 3		E- 9
90214-20023	B- 4	90387-22660	D- 12	90501-07629	B- 4		D- 14	93430-09038	D- 14	95707-06500	C- 11
90215-06184	B- 2	90387-255F3	B- 7	90501-10245	D- 14	92907-06600	B- 7	93440-10085	B- 2		E- 12
90215-08160	D- 10	90401-10159	D- 13	90501-10312	E- 10		B- 9	93450-17044	B- 4	95807-06010	E- 12
90215-14186	C- 2	90430-06014	B- 2	90501-18576	B- 8		D- 13	93503-16003	D- 3	95807-06016	C- 11
90215-14205	B- 5		B- 13	90501-21133	B- 4	92907-08800	C- 8	93505-16006	C- 2		C- 12
	C- 2	90430-08119	C- 2	90501-23700	C- 2	92907-10100	B- 5	93602-13177	B- 4		D- 7
90240-06076	D- 14	90430-10148	E- 11	90506-08227	C- 7	93101-15101	C- 4	93603-12030	B- 8	95807-08016	C- 9
90240-07083	B- 4	90430-12186	B- 2	90506-15260	D- 10	93101-25106	B- 5	93604-10011	B- 7	95807-10016	D- 15
90240-08084	D- 14	90445-07671	B- 11	90506-18305	D- 14	93102-12106	C- 7	93604-16092	C- 6	95817-08050	C- 8
	D- 15	90445-10007	D- 6	90506-29276	D- 14	93102-14209	C- 3	93604-20156	C- 6	95827-08035	D- 3
90249-12008	D- 14	90445-103F5	B- 11	90508-14352	D- 14	93102-20242	C- 4	93605-10090	B- 4	97007-06012	B- 2
90267-40075	C- 9	90445-10458	C- 9	90508-18495	C- 2	93102-20281	D- 8	93608-50158	C- 7		D- 6
90280-05013	B- 5	90445-110F5	C- 10	90508-20023	D- 14	93104-22018	D- 10	93612-16254	B- 2	97007-06020	C- 14
90282-05013	B- 4	90460-49293	B- 9	90508-20155	D- 15	93109-18020	C- 14	93615-12088	B- 15	97007-06025	C- 9
90282-05043	C- 2	90460-56105	B- 9	90508-26539	C- 6		C- 15	93700-06004	C- 14		C- 11
90338-15202	C- 8	90462-08224	B- 13	90508-26705	C- 7	93210-07135	B- 8		C- 15		D- 13
90338-24177	C- 8	90462-08225	B- 14	90508-26786	B- 6	93210-09165	B- 6	93700-06005	C- 14	97027-06010	C- 5
90340-14128	B- 14	90462-16096	B- 14	90560-15290	D- 8	93210-10166	C- 9		C- 15	97027-06016	B- 7
90340-32123	B- 14	90464-10190	E- 12	90560-15313	D- 10	93210-13361	B- 3	94112-182X1	D- 10	97027-06020	C- 7
90380-16109	C- 15	90464-10193	D- 12	90560-17368	B- 15	93210-14369	B- 14	94127-212X0	D- 8		D- 14
90380-18139	C- 14	90464-16021	C- 13	91317-06010	D- 13	93210-19123	B- 14	94212-18230	D- 10		E- 8
90385-12039	B- 2	90464-16061	E- 11	91317-06018	B- 2	93210-25711	E- 4	94227-21123	D- 8	97027-06025	C- 8
90386-18115	C- 15		E- 12	91317-06020	B- 12	93210-32172	B- 14	94330-18087	D- 10		E- 8
90386-18146	C- 14	90464-16115	E- 12	91317-06025	B- 3	93210-347A1	B- 8	94330-21084	D- 8	97707-40520	E- 5
90386-20120	C- 14	90464-20044	E- 11		B- 7	93210-35537	B- 9	94416-21536	D- 8		E- 6
90387-063E6	E- 8	90465-06332	E- 12	91317-08016	B- 15	93210-48364	C- 2	94421-18426	D- 10	97707-40620	E- 5
90387-063G3	C- 9	90465-08127	B- 13	91317-08045	B- 2	93210-54175	B- 8	94580-41104	B- 7	97707-50520	B- 9
90387-064J1	C- 12	90465-08200	B- 13	91317-10020	D- 15	93210-55669	E- 4	94581-33120	D- 11	97801-03008	D- 6
90387-065G0	C- 11	90465-08300	B- 14	91401-20012	D- 14	93210-57634	B- 2	94681-33011	D- 11	98501-04008	B- 10
90387-06500	C- 11	90465-13152	D- 12		D- 15	93210-72529	B- 3	94701-00222	B- 2	98502-04012	B- 10
	C- 12		E- 11	91401-25015	D- 14	93211-05471	B- 2	94701-00333	B- 2	98506-04008	B- 10
90387-06681	C- 11	90467-09006	B- 11		D- 15	93306-20201	C- 4	95027-06016	E- 11	98506-05030	E- 10
90387-06737	C- 14		C- 10	91401-30030	D- 8	93306-20203	D- 10	95027-08025	B- 12	98507-05016	D- 12
90387-07391	C- 8		D- 6		D- 11	93306-20205	D- 8	95027-08040	D- 3		E- 12
	E- 8	90467-10039	B- 9	91701-06022	D- 14		D- 10	95307-05600	D- 3	98507-05018	D- 3
90387-07789	B- 9	90467-11106	B- 9	91701-06032	D- 15	93306-20332	C- 4	95307-06600	C- 2		E- 10
90387-085E1	C- 9		C- 10	92017-06020	B- 9	93306-20401	C- 4		C- 11	98507-05020	E- 10
90387-106G0	C- 15	90467-14015	B- 13	92017-08020	D- 15	93306-20532	B- 4		D- 10	98507-05030	E- 3
90387-121L6	C- 15	90468-12120	E- 8	92506-06012	D- 5	93306-30424	C- 4	95307-06700	C- 7	98507-06010	B- 12
90387-121N2	C- 14	90480-01141	C- 12	92901-04100	B- 10	93306-30427	B- 4		D- 14		B- 14
90387-124F4	C- 7	90480-11224	C- 12	92906-04100	B- 10	93306-30611	B- 4	95307-12700	E- 5	98507-06016	C- 12
90387-125F1	B- 13	90480-12053	E- 2	92906-06100	D- 5	93310-530J3	B- 4		E- 6	98507-06020	B- 2
90387-125Y0	B- 15	90480-14023	C- 8	92907-05100	E- 3	93315-23607	C- 6	95607-06100	E- 10		E- 3
90387-126J8	C- 15	90480-14102	E- 8		E- 10	93315-31428	C- 3	95607-08200	C- 8	98507-06025	B- 8
90387-127F2	C- 14	90480-14448	C- 9	92907-05600	D- 3	93332-00008	D- 3	95607-10100	D- 2		B- 14
90387-140J9	C- 14	90480-15342	C- 9	92907-06100	B- 12	93410-20038	C- 4	95617-12100	C- 14		E- 11

M3

NUMERICAL INDEX

PARTNO.	GRID NO.	PARTNO.	GRID NO.	PARTNO.	GRID NO.	PARTNO.	GRID NO.	PARTNO.	GRID NO.
98507-06030	B-13								
98507-06035	B-14								
98507-06040	B-13								
98507-06045	B-14								
98507-06075	B-8								
98507-06085	B-13								
98507-06090	B-13								
98706-04012	D-13								
98707-04012	D-12								
98707-06030	B-8								
98907-06010	B-12								
98980-06010	B-12								
99001-10600	C-7								
99009-17400	B-15								
	C-4								
99247-00100	E-2								
99530-12016	B-13								
	B-14								
99530-14016	B-2								
	B-3								