

# PARTS CATALOGUE

<b>XV1600ATN</b>	<b>(5GA9) U49</b>
<b>XV1600ATNC</b>	<b>(5GAA) CALIFORNIA</b>
<b>XV1600ATN</b>	<b>(5GAB) CANADA</b>
<b>XV1600ATN</b>	<b>(5GAC) HAWAI</b>

**YAMAHA**  
**GENUINE**  
Parts & Accessories

115GA-100E1

A2

## FOREWORD

This Parts Catalogue is related to the parts for the model(s) in the below frame. When you are ordering replacement parts, please refer to this Parts Catalogue and quote both part numbers and part names correctly.

**XV1600ATN(5GA9/5GAB/5GAC), XV1600ATNC(5GAA)**

1. Modifications or additions which have been made after issue of the Parts Catalogue will be announced in the Yamaha Parts News. It is advisable that you make necessary corrections to the Parts Catalogue according to the Yamaha Parts News.

2. Abbreviations  
The Following abbreviations are used in this Parts Catalogue.

"UR" Use specified parts number.  
 "UN" Use as many as needed.  
 "AP" Alternate Parts  
 "LM" Local Made (Parts need to be ordered locally)  
 "F#" Frame No. (Applicable machine No.)

3. Parts, which are to be supplied in an assembly, are listed with a dot(.) in front of the part name as shown below.

EXAMPLE  
 CARBURETOR ASSY  
 .JET, PILOT  
 .NOZZLE, MAIN

4. Number of component for assembly  
The numeral appearing to the right of each component part indicates the quantity of parts for each assembly unit.

EXAMPLE

PART NO.	DESCRIPTION	Q'TY	REMARKS
2F5-83310-60	FRONT FLASHER LIGHT ASSY	2	
115-83311-60	.BULB (6V-18W)	1	
1M1-83309-60	.REFLECTOR	1	

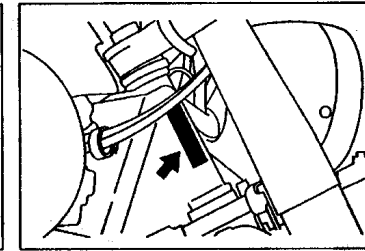
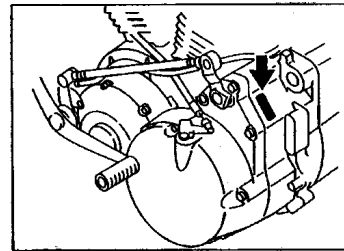
5. Applicable colors of graphics are represented in the "REMARKS" as shown below.

PART NO.	DESCRIPTION	Q'TY	REMARKS
2N4-24110-00-X5	.FUEL TANK COMP.	2	MXR
3J1-24240-10	.GRAPHIC, FUEL TANK	1	for MXR

6. Applicable Serial No.

Engine Serial No.

Frame Serial No.



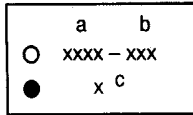
7. Note that the illustrations for reference in finding parts numbers, not to be used for assembling. When assembling, please use the applicable service manual.

8. The asterisk (\*) before a reference number indicates modification items after the first edition.

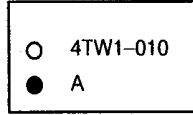
# MODEL LABEL

(1) A label called "Model Label" is affixed in the location as indicated in (3) below. When using this parts catalogue, please be sure to cross-refer the "model code - production code No." in the catalogue to the "model code - production code No." indicated on the Model Label affixed onto the product concerned.

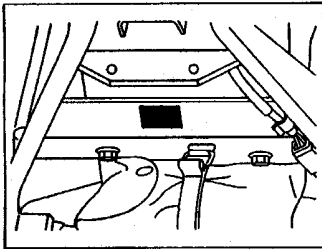
(2) "Model Label" Indication



a: Model Type Code  
b: Production Code No.  
c: Colouring Type



(3) Model Label Affixing Location



(4) Model Code - Production Code Number of Model Listed in This Parts Catalog

Model Code	Production Code No.	Country (destination)	Model Code	Production Code No.	Country (destination)
5GA9	020	U49			
5GAA	020	CALIFORNIA			
5GAB	020	CANADA			
5GAC	020	HAWAI			

(5) Colouring Information

Model Code	Colouring type code	Colour code	Colour Name	Abbreviation
5GA9 5GAA	A	0033	YAMAHA BLACK	YB
5GAB 5GAC	B	00JY	MIYABI MAROON	MYM

# CONTENTS

## ENGINE

CYLINDER HEAD .....	B2
CYLINDER .....	B3
CRANKSHAFT. PISTON .....	B4
VALVE .....	B5
CAMSHAFT. CHAIN .....	B6
OIL PUMP .....	B8
INTAKE .....	B10
CARBURETOR .....	B12
EXHAUST .....	B14
CRANKCASE .....	C2
CRANKCASE COVER 1 .....	C4
STARTER .....	C7
CLUTCH .....	C8
TRANSMISSION .....	C10
MIDDLE DRIVE GEAR .....	C11
SHIFT CAM. FORK .....	C14
SHIFT SHAFT .....	C15

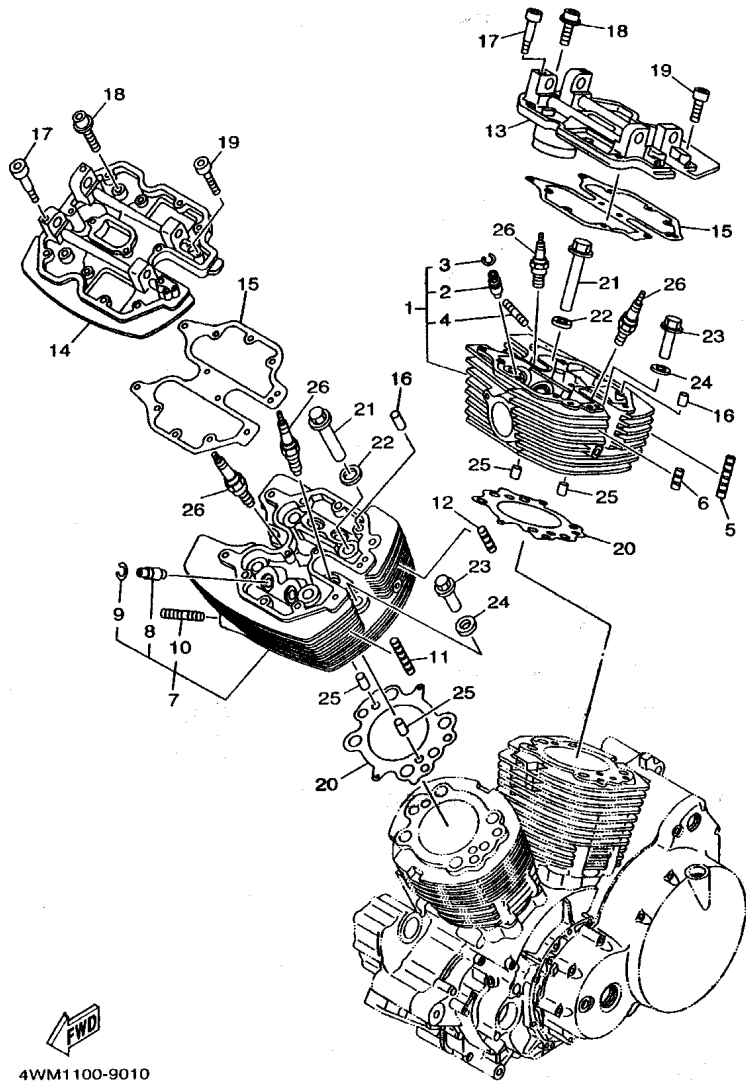
## CHASSIS

FRAME .....	D2
FENDER .....	D4
SIDE COVER .....	D5
REAR ARM. SUSPENSION .....	D7
STEERING .....	D9
FRONT FORK .....	D10
FUEL TANK .....	D12
SEAT .....	D15
FRONT WHEEL .....	E2
FRONT BRAKE CALIPER .....	E3
REAR WHEEL .....	E4
REAR BRAKE CALIPER .....	E6
STEERING HANDLE. CABLE .....	E7

FRONT MASTER CYLINDER .....	E8
STAND. FOOTREST .....	E10
REAR MASTER CYLINDER .....	E12
COWLING 1 .....	E14
SADDLEBAG 1 .....	E15
GENERATOR .....	F2
FLASHER LIGHT .....	F3
METER .....	F5
HEADLIGHT .....	F6
TAILLIGHT .....	F7
HANDLE SWITCH. LEVER .....	F8
ELECTRICAL 1 .....	F9
ELECTRICAL 2 .....	F11

## INDEX

NUMERICAL INDEX .....	M1
-----------------------	----



  
 4WM1100-9010

FIG. 1 CYLINDER HEAD

REF. NO.	PART NO.	DESCRIPTION	5GA9	5GAA	5GAB	5GAC	REMARKS
1	4WM-11101-00	CYLINDER HEAD ASSY	1	1	1	1	
2	4WM-11133-10	.GUIDE, INTAKE VALVE	4	4	4	4	
3	93440-12052	.CIRCLIP	4	4	4	4	
4	95617-08625	.BOLT, STUD	2	2	2	2	
5	4WM-11161-00	ABSORBER 1	5	5	5	5	
6	4WM-11162-00	ABSORBER 2	3	3	3	3	
7	4WM-11101-10	CYLINDER HEAD ASSY	1	1	1	1	
8	4WM-11133-10	.GUIDE, INTAKE VALVE	4	4	4	4	
9	93440-12052	.CIRCLIP	4	4	4	4	
10	95617-08625	.BOLT, STUD	2	2	2	2	
11	4WM-11161-00	ABSORBER 1	5	5	5	5	
12	4WM-11162-00	ABSORBER 2	3	3	3	3	
13	4WM-11131-00	HEAD, CYLINDER 3	1	1	1	1	
14	4WM-11141-00	HEAD, CYLINDER 4	1	1	1	1	
15	4WM-11182-00	GASKET, CYLINDER HEAD 2	2	2	2	2	
16	91808-16023	PIN, DOWEL	4	4	4	4	
17	90109-065G0	BOLT	4	4	4	4	
18	90109-067E6	BOLT	4	4	4	4	
19	91314-06045	BOLT	4	4	4	4	
20	4WM-11181-00	GASKET, CYLINDER HEAD 1	2	2	2	2	
21	4WM-11171-00	NUT, HOLDING	8	8	8	8	
22	4WM-11175-00	WASHER, HOLDING 1	8	8	8	8	
23	4WM-11172-00	NUT, HOLDING	4	4	4	4	
24	4WM-11176-00	WASHER, HOLDING	4	4	4	4	
25	90387-087A5	COLLAR	4	4	4	4	
26	94701-00262	PLUG, SPARK (NGK DPR7EA 9)	4	4	4	4	UR
	94701-00379	PLUG, SPARK (ND X22EPR-U9)	4	4	4	4	UR

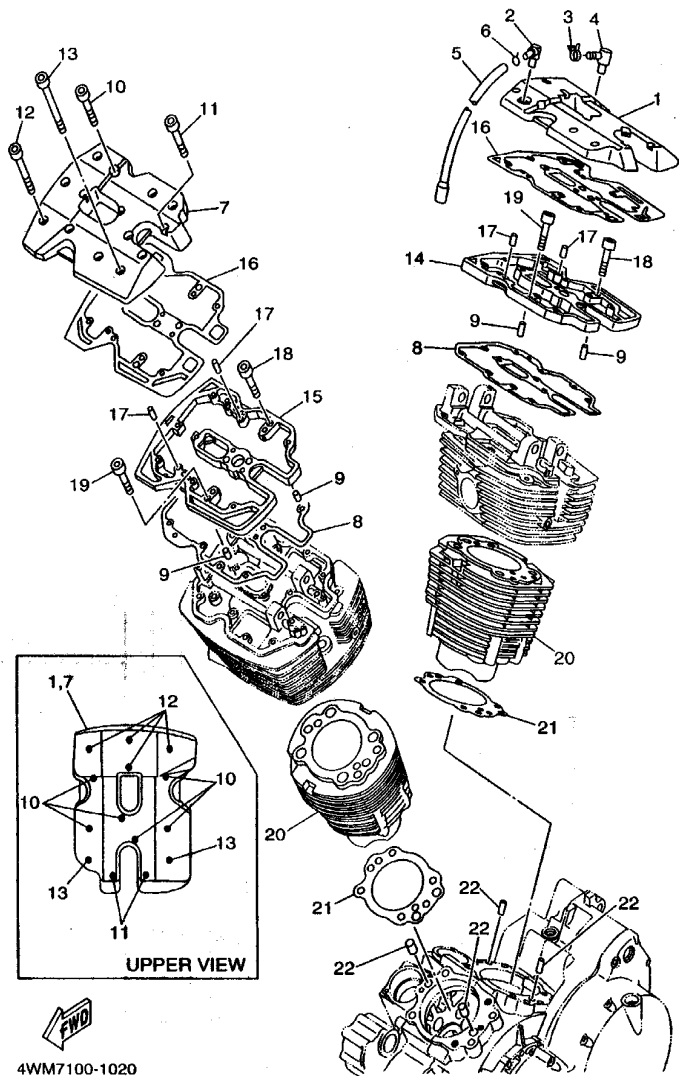
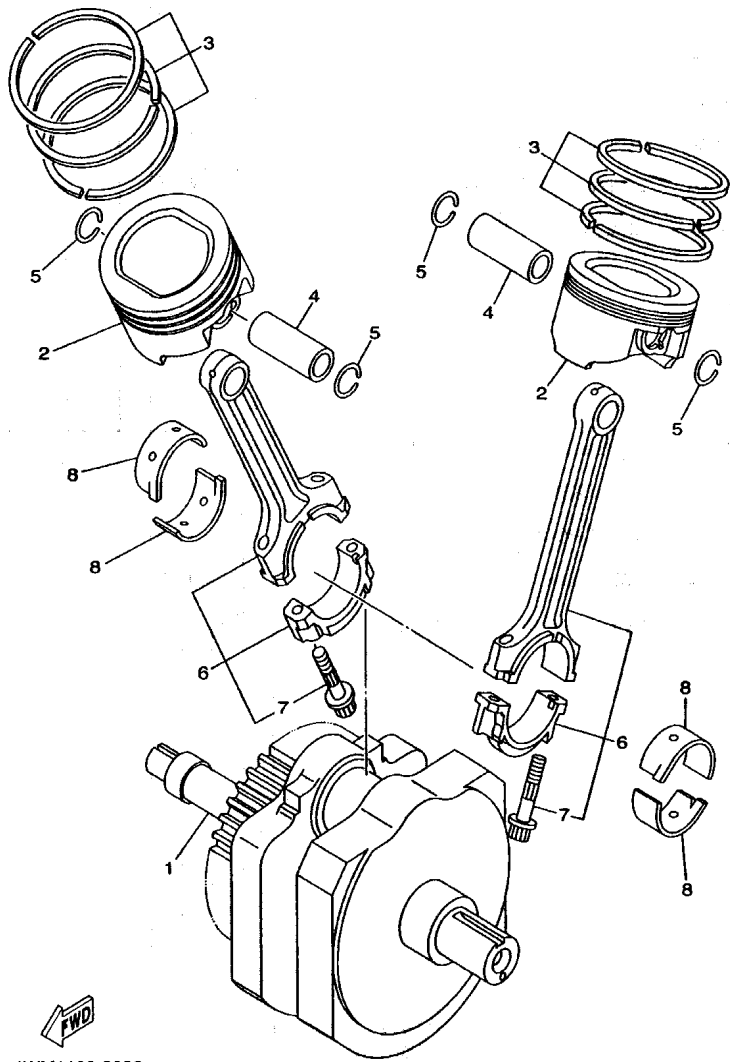


FIG. 2 CYLINDER

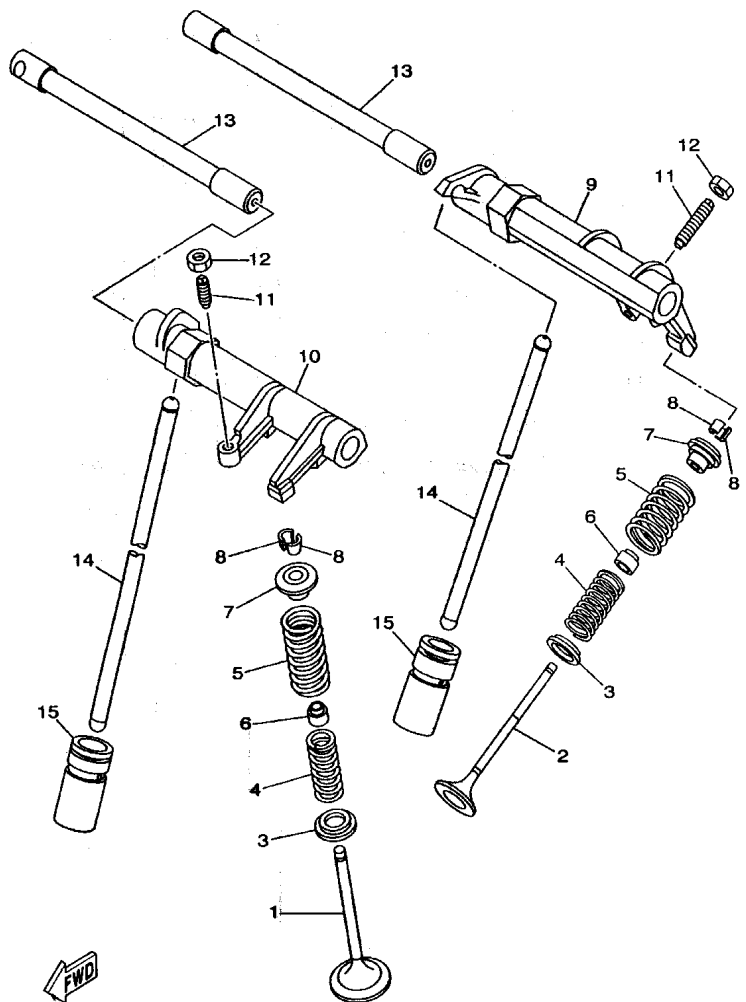
REF. NO.	PART NO.	DESCRIPTION	5GAB	5GAA	5GAB	5GAC	REMARKS
1	4WM-11191-00	COVER, CYLINDER HEAD 1	1	1	1	1	
2	4GL-15371-00	BREATHER	1	1	1	1	
3	90467-12053	CLIP	1	1	1	1	
4	4WM-11126-00	PIPE, BREATHER 3	1	1	1	1	
5	4WM-11166-00	PIPE, BREATHER 1	1	1	1	1	
6	90467-13042	CLIP	1	1	1	1	
7	4WM-11192-00	COVER, CYLINDER HEAD 2	1	1	1	1	
8	4WM-11193-00	GASKET, HEAD COVER 1	2	2	2	2	
9	91808-16023	PIN, DOWEL	4	4	4	4	
10	90110-06022	BOLT, HEXAGON SOCKET HEAD	12	12	12	12	
11	91314-06035	BOLT	4	4	4	4	
12	91314-06050	BOLT	8	8	8	8	
13	91314-06065	BOLT	4	4	4	4	
14	4WM-1111M-00	COVER 1	1	1	1	1	
15	4WM-1111N-00	COVER 2	1	1	1	1	
16	4WM-11194-00	GASKET, HEAD COVER 2	2	2	2	2	
17	91808-16023	PIN, DOWEL	4	4	4	4	
18	91314-06040	BOLT	10	10	10	10	
19	90110-06023	BOLT, HEXAGON SOCKET HEAD	2	2	2	2	
20	4WM-11311-00	CYLINDER 1	2	2	2	2	
21	4WM-11351-00	GASKET, CYLINDER	2	2	2	2	
22	90387-087A5	COLLAR	4	4	4	4	



**FWD**  
4WM1100-9030

**FIG. 3 CRANKSHAFT, PISTON**

REF. NO.	PART NO.	DESCRIPTION	5G9	5GA	5GB	5GC	REMARKS
1	4WM-11400-00	CRANKSHAFT ASSY	1	1	1	1	
2	4WM-11631-00	PISTON (STD)	2	2	2	2	
3	34L-11610-00	PISTON RING SET (STD)	2	2	2	2	
4	4WM-11633-00	PIN, PISTON	2	2	2	2	
5	93450-24028	CIRCLIP	4	4	4	4	
6	4WM-11650-00	CONNECTING ROD ASSY	2	2	2	2	
7	4WM-11654-00	.BOLT, CONNECTING ROD	2	2	2	2	
8	4WM-11656-00	PLANE BEARING, CONNECTING ROD	4	4	4	4	UR BLUE
	4WM-11656-10	PLANE BEARING, CONNECTING ROD	4	4	4	4	UR BLACK
	4WM-11656-20	PLANE BEARING, CONNECTING ROD	4	4	4	4	UR BROWN
	4WM-11656-30	PLANE BEARING, CONNECTING ROD	4	4	4	4	UR GREEN
	4WM-11656-40	PLANE BEARING, CONNECTING ROD	4	4	4	4	UR YELLOW

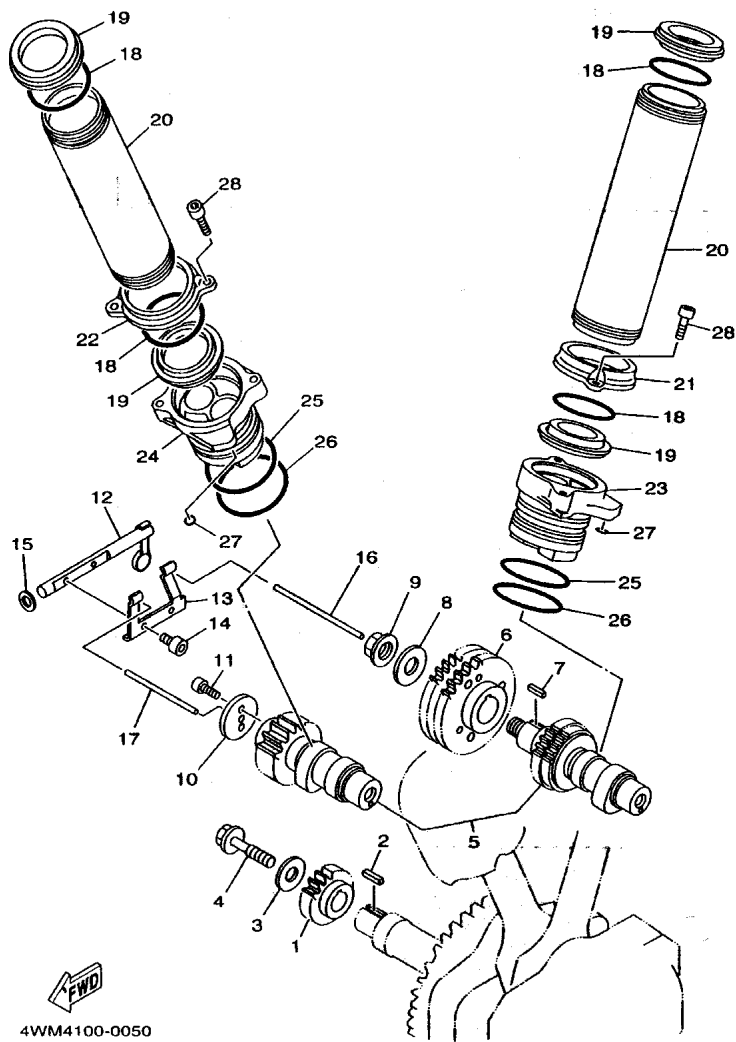


4WM1100-9040

FIG. 4 VALVE

REF. NO.	PART NO.	DESCRIPTION	FGA9	FGAA	FGAB	FGAC	REMARKS
1	4WM-12111-00	VALVE, INTAKE	4	4	4	4	
2	4WM-12121-00	VALVE, EXHAUST	4	4	4	4	
3	26H-12116-00	SEAT, VALVE SPRING	8	8	8	8	
4	4WM-12113-00	SPRING, VALVE INNER	8	8	8	8	
5	4WM-12114-00	SPRING, VALVE OUTER	8	8	8	8	
6	4KM-12119-00	SEAL, VALVE STEM	8	8	8	8	
7	26H-12117-00	RETAINER, VALVE SPRING	8	8	8	8	
8	4G0-12118-00	COTTER, VALVE	16	16	16	16	
9	4WM-12151-00	ARM, VALVE ROCKER	2	2	2	2	
10	4WM-12161-00	ARM, VALVE ROCKER 2	2	2	2	2	
11	31G-12159-02	SCREW, VALVE ADJUSTING	4	4	4	4	
12	31G-12158-00	NUT, LOCK	4	4	4	4	
13	4WM-12146-00	SHAFT, ROCKER	4	4	4	4	
14	4WM-12154-00	ROD, VALVE PUSH	4	4	4	4	
15	4WM-12153-00	LIFTER, VALVE	4	4	4	4	



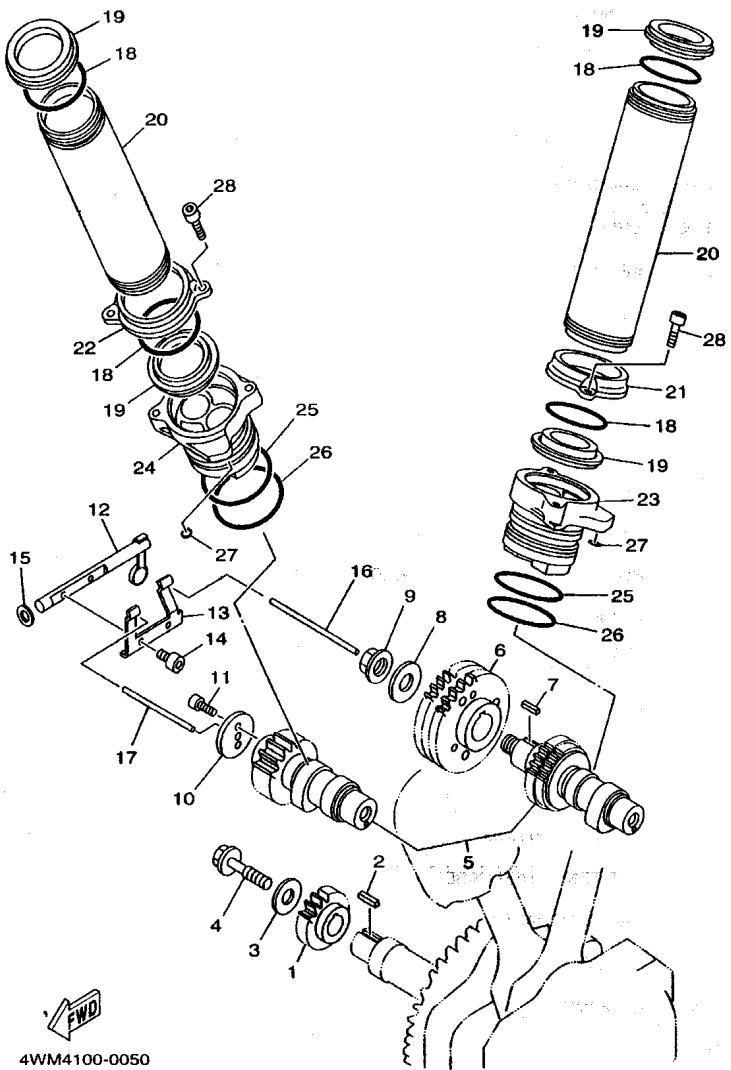


4WM4100-0050

FIG. 5 CAMSHAFT. CHAIN

REF. NO.	PART NO.	DESCRIPTION					REMARKS
			5GA9	5GAA	5GAB	5GAC	
1	4WM-11534-00	GEAR, BREAKER DRIVE	1	1	1	1	
2	90282-03039	KEY, STRAIGHT	1	1	1	1	
3	90201-100L3	WASHER, PLATE	1	1	1	1	
4	90105-10290	BOLT, WASHER BASED	1	1	1	1	
5	4WM-W1211-01	CAM SHAFT ASSY	1	1	1	1	
6	4WM-W1153-00	DRIVEN GEAR COMP.	1	1	1	1	
7	90282-03012	KEY, STRAIGHT	1	1	1	1	
8	90201-140H8	WASHER, PLATE	1	1	1	1	
9	90179-14469	NUT	1	1	1	1	
10	4WM-11951-00	PLATE	1	1	1	1	
11	90110-05003	BOLT, HEXAGON SOCKET HEAD	2	2	2	2	
12	4WM-12293-00	CONNECTOR, DECOMPRESSION	1	1	1	1	
13	4WM-12282-00	LEVER, DECOMPRESSION	1	1	1	1	
14	90110-04255	BOLT, HEXAGON SOCKET HEAD	2	2	2	2	
15	90201-08086	WASHER, PLATE	1	1	1	1	
16	4WM-12298-00	ROD, DECOMPRESSION	1	1	1	1	
17	4WM-12294-00	PIPE, DECOMPRESSION	1	1	1	1	
18	93210-472A9	O-RING	4	4	4	4	
19	4WM-12152-00	SUPPORT, ROCKER AR	4	4	4	4	
20	4WM-12155-01	GUIDE, PUSH ROD	2	2	2	2	
21	4WM-12215-00	CAP, TENSIONER CASE	1	1	1	1	
22	4WM-12173-00	CAP, CAMSHAFT 1	1	1	1	1	
23	4WM-12271-00	HOUSING	1	1	1	1	
24	4WM-12272-00	HOUSING	1	1	1	1	
25	93210-54175	O-RING	2	2	2	2	
26	93210-54452	O-RING	2	2	2	2	
27	93210-48364	O-RING	2	2	2	2	

B6



4WM4100-0050

FIG. 5 CAMSHAFT. CHAIN

REF. NO.	PART NO.	DESCRIPTION	SGA9	SGAA	SGAB	SGAC	REMARKS
28	90110-06006	BOLT, HEXAGON SOCKET HEAD	4	4	4	4	

B7

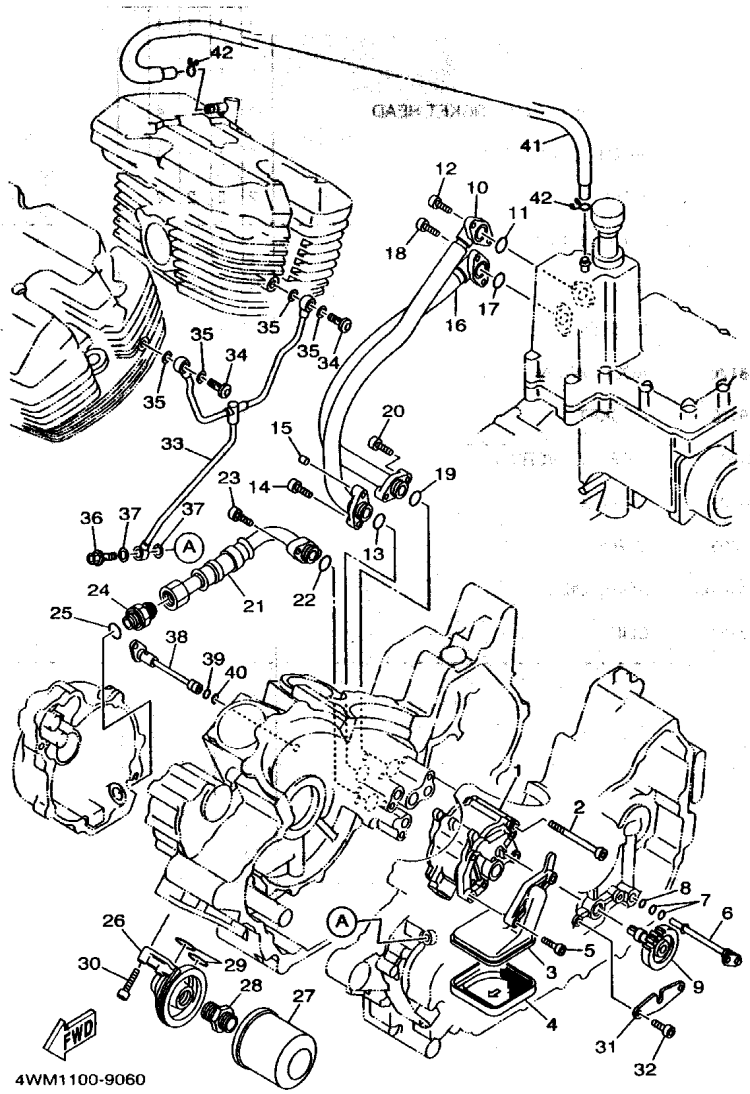
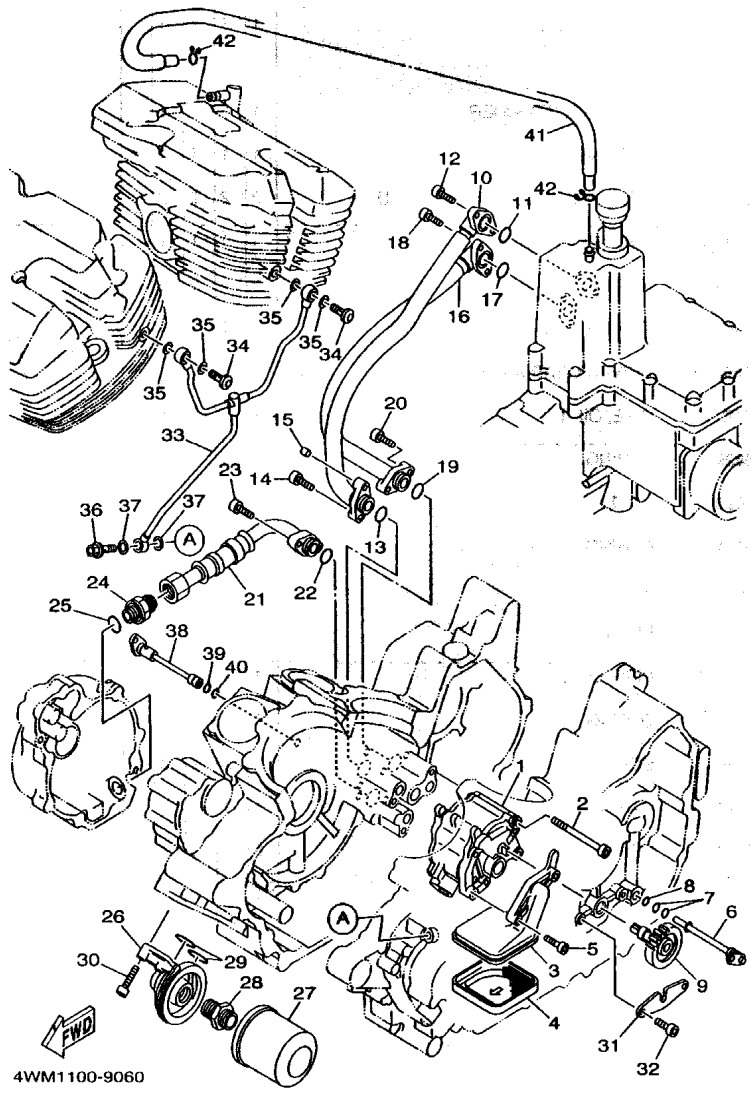


FIG. 6 OIL PUMP

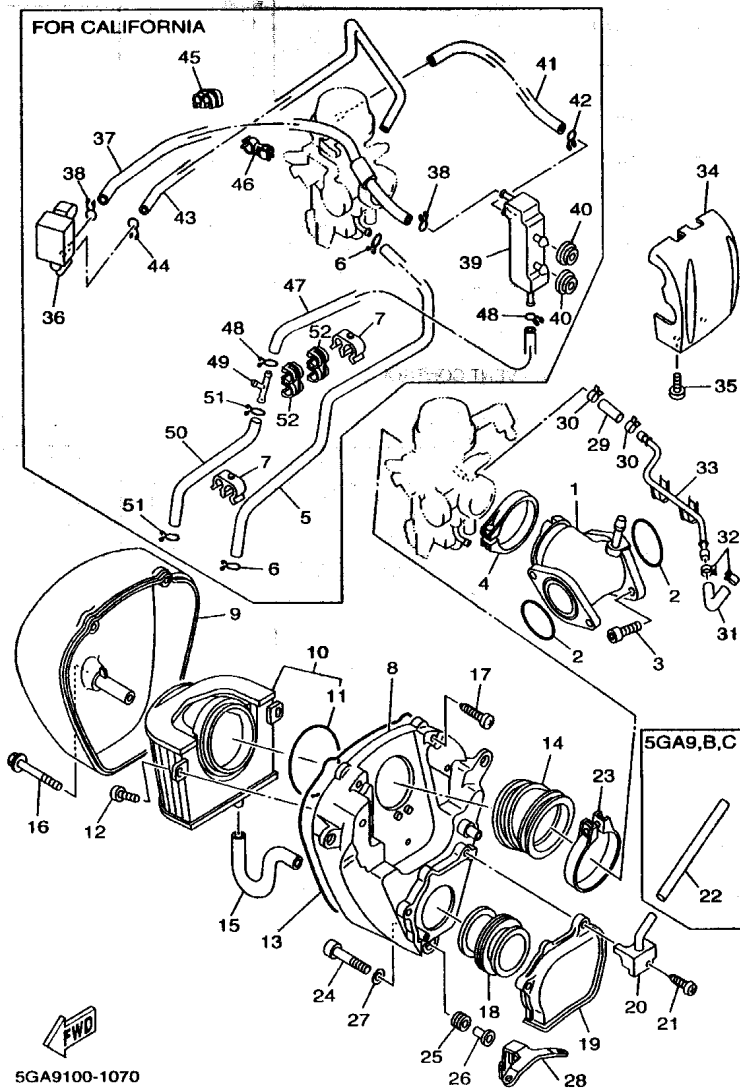
REF. NO.	PART NO.	DESCRIPTION	5GAB	5GAA	5GAB	5GAC	REMARKS
1	4WM-13300-00	OIL PUMP ASSY	1	1	1	1	
2	91317-06080	BOLT	3	3	3	3	
3	4WM-13412-00	HOUSING, STRAINER	1	1	1	1	
4	4WM-13411-00	STRAINER, OIL	1	1	1	1	
5	90110-06225	BOLT, HEXAGON SOCKET HEAD	2	2	2	2	
6	4WM-13171-00	PIPE, DELIVERY 2	1	1	1	1	
7	93210-09165	O-RING	2	2	2	2	
8	93210-06667	O-RING	1	1	1	1	
9	4WM-13360-00	DRIVEN GEAR ASSY	1	1	1	1	
10	4WM-13416-00	PIPE, OIL 1	1	1	1	1	
11	93210-16629	O-RING	1	1	1	1	
12	91317-06020	BOLT	2	2	2	2	
13	93210-15171	O-RING	1	1	1	1	
14	91314-06020	BOLT	1	1	1	1	
15	90338-06018	PLUG	1	1	1	1	
16	4WM-13418-00	PIPE, OIL 2	1	1	1	1	
17	93210-16629	O-RING	1	1	1	1	
18	91317-06020	BOLT	2	2	2	2	
19	93210-15171	O-RING	1	1	1	1	
20	91314-06020	BOLT	2	2	2	2	
21	4WM-13161-00	PIPE, DELIVERY 1	1	1	1	1	
22	93210-13657	O-RING	1	1	1	1	
23	91314-06020	BOLT	2	2	2	2	
24	4WM-13573-00	BOLT 1	1	1	1	1	
25	93210-16325	O-RING	1	1	1	1	
26	4WM-13461-00	PLATE, ADAPTOR	1	1	1	1	
27	3FV-13440-00	ELEMENT ASSY, OIL CLEANER	1	1	1	1	



4WM1100-9060

FIG. 6 OIL PUMP

REF. NO.	PART NO.	DESCRIPTION	5GA9	5GAA	5GAB	5GAC	REMARKS
28	90401-20145	BOLT, UNION	1	1	1	1	
29	93210-23326	O-RING	2	2	2	2	
30	90110-06222	BOLT, HEXAGON SOCKET HEAD	4	4	4	4	
31	4WM-1357N-00	PLATE, STOPPER 1	1	1	1	1	
32	91317-06016	BOLT	2	2	2	2	
33	4WM-13405-00	OIL PIPE COMP. 1	1	1	1	1	
34	90401-10175	BOLT, UNION	2	2	2	2	
35	90430-10188	GASKET	4	4	4	4	
36	90401-08176	BOLT, UNION	1	1	1	1	
37	90430-08119	GASKET	2	2	2	2	
38	4WM-13181-00	PIPE, DELIVERY 3	1	1	1	1	
39	93210-08006	O-RING	1	1	1	1	
40	93210-07003	O-RING	1	1	1	1	
41	4WM-13464-00	HOSE, OIL 1	1	1	1	1	
42	90467-10008	CLIP	2	2	2	2	



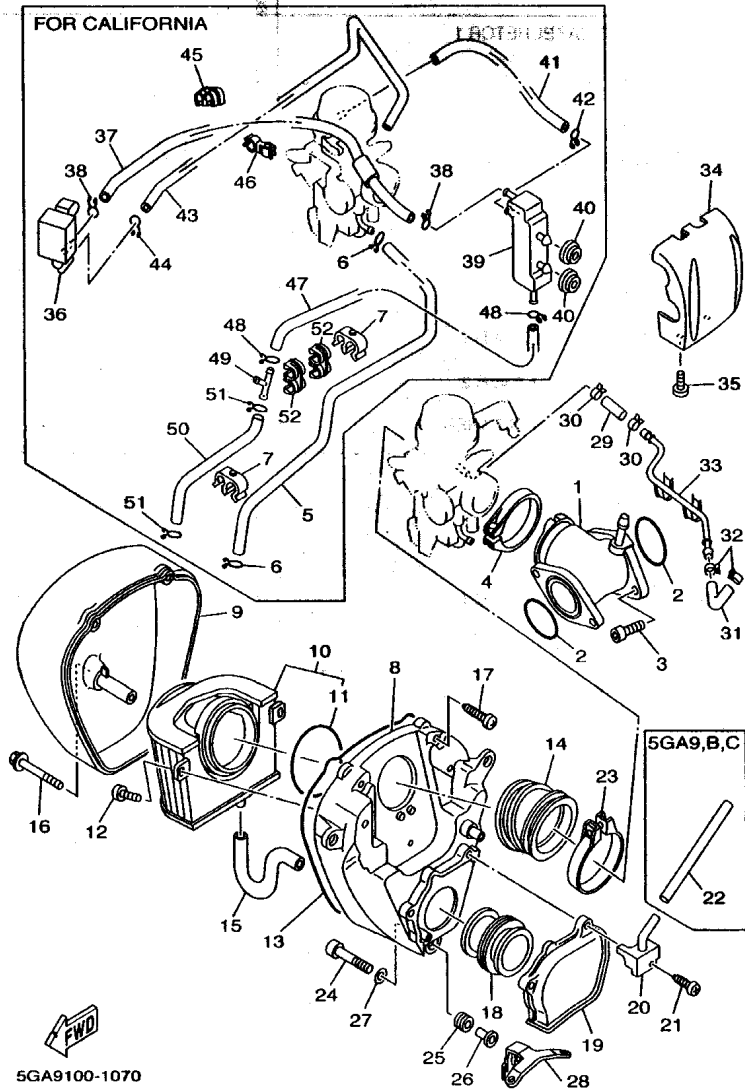
5GA9100-1070

FIG. 7 INTAKE

REF. NO.	PART NO.	DESCRIPTION					REMARKS
			5GA9	5GAA	5GAB	5GAC	
1	4WM-13586-00	JOINT, CARBURETOR 1	1	1	1	1	
2	93210-505A4	O-RING	2	2	2	2	
3	91317-06020	BOLT	4	4	4	4	
4	90450-58001	HOSE CLAMP ASSY	1	1	1	1	
5	4WM-14423-00	PIPE, SUCTION 1		1			
6	90467-10041	CLIP		2			
7	90464-11201	CLAMP		2			
8	4WM-14411-00	CASE, AIR CLEANER 1	1	1	1	1	
9	4WM-14421-00	CASE, AIR CLEANER 2	1	1	1	1	
10	4WM-14451-00	ELEMENT, AIR CLEANER	1	1	1	1	
11	93210-77040	O-RING	1	1	1	1	
12	98904-06014	SCREW, BIND	2	2	2	2	
13	4WM-14452-00	SEAL	1	1	1	1	
14	4WM-14453-00	JOINT, AIR CLEANER 1	1	1	1	1	
15	4WM-1443E-00	PIPE, DRAIN	1	1	1	1	
16	90149-06331	SCREW	1	1	1	1	
17	97707-60540	SCREW, TAPPING	2	2	2	2	
18	4WM-14437-00	DUCT	1	1	1	1	
19	4WM-14417-00	COVER 1	1	1	1	1	
20	4WM-14413-00	STAY	1	1	1	1	
21	97707-50525	SCREW, TAPPING	2	2	2	2	
22	90445-110G7	PIPE	1		1	1	
23	90450-67001	HOSE CLAMP ASSY	1	1	1	1	
24	90110-06240	BOLT, HEXAGON SOCKET HEAD	3	3	3	3	
25	90480-14023	GROMMET	3	3	3	3	
26	90387-07391	COLLAR	3	3	3	3	
27	90209-06250	WASHER	3	3	3	3	

B10

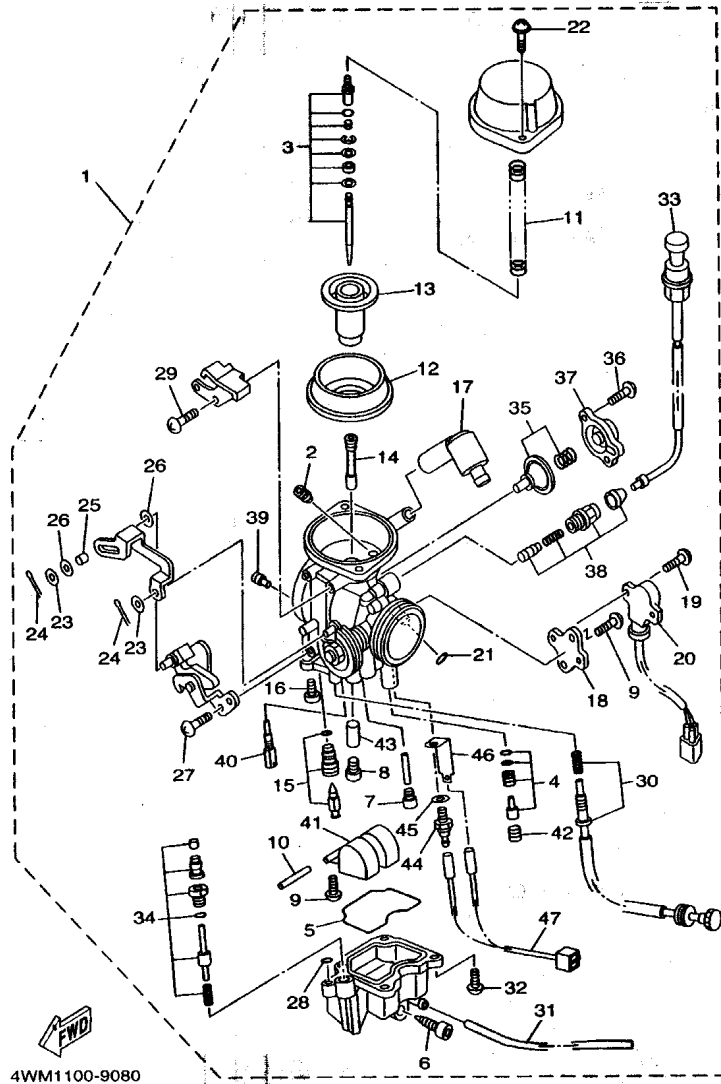
FIG. 7 INTAKE



5GA9100-1070

REF. NO.	PART NO.	DESCRIPTION	5GA9	5GAA	5GAB	5GAC	REMARKS
28	4WM-14498-00	STAY 1	1	1	1	1	
29	90445-146K8	HOSE (L30)	1	1	1	1	
30	90467-13083	CLIP	2	2	2	2	
31	4WM-14294-00	HOSE	1	1	1	1	
32	90467-13083	CLIP	2	2	2	2	
33	4WM-14295-00	PIPE, FUEL	1	1	1	1	
34	4WM-13993-00	COVER, CONTROL RACK	1	1	1	1	
35	98504-05012	SCREW, PAN HEAD	2	2	2	2	
36	4WM-14896-00	VALVE, OUTER VENT CONTROL 2		1			
37	4WM-24325-01	PIPE 14		1			
38	90467-10041	CLIP		2			
39	4WM-1446E-00	TANK, SURGE		1			
40	90480-13567	GROMMET		2			
41	4WM-14349-01	PIPE		1			
42	90467-10041	CLIP		1			
43	4WM-14348-00	PIPE 1		1			
44	90467-10041	CLIP		1			
45	90464-12224	CLAMP		1			
46	90464-11001	CLAMP		1			
47	4WM-14196-00	PIPE		1			
48	90467-10041	CLIP		2			
49	90413-07007	WAY 3		1			
50	4WM-14193-00	PIPE		1			
51	90467-10041	CLIP		2			
52	90464-12224	CLAMP		2			

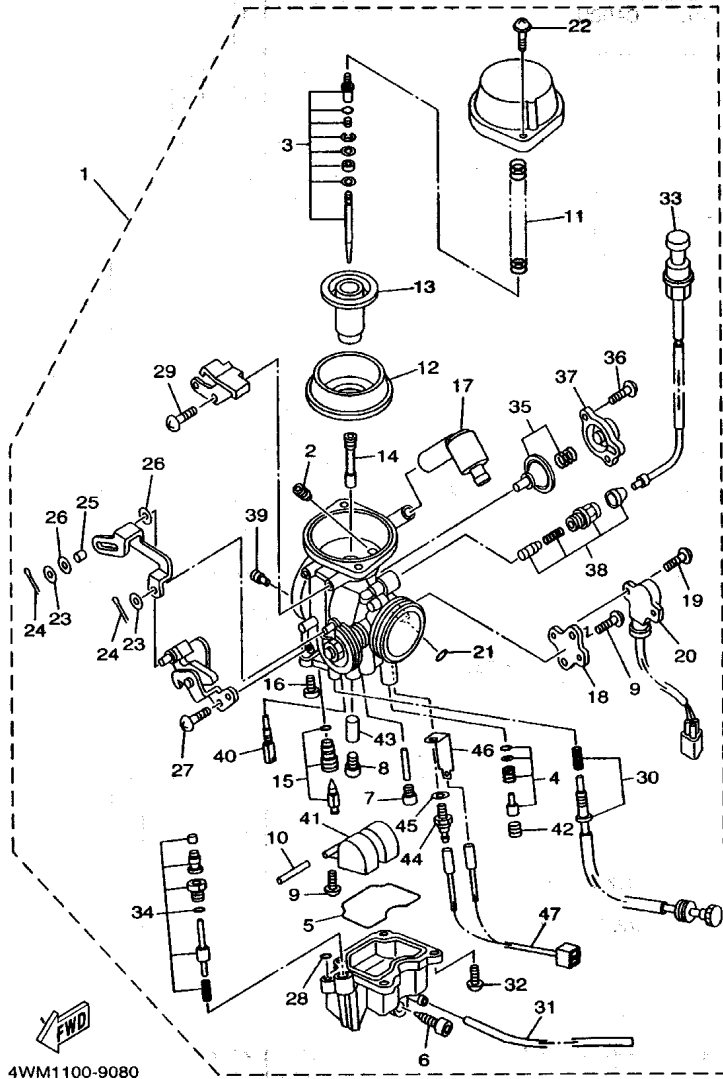
FIG. 8 CARBURETOR



4WM1100-9080

REF. NO.	PART NO.	DESCRIPTION	SGA9	SGAA	SGAB	SGAC	REMARKS
1	4WM-14101-01	CARBURETOR ASSY 1	1		1	1	
	4WM-14101-11	CARBURETOR ASSY 1		1			
2	239-14172-20	.PILOT JET, AIR (2.0)	1	1	1	1	
3	4WM-1490J-00	.NEEDLE SET	1	1	1	1	
4	4WM-14105-00	.PILOT SCREW SET	1	1	1	1	
5	5DM-14561-00	.O-RING	1	1	1	1	
6	4KP-14191-00	.PLUG, DRAIN	1	1	1	1	
7	3G2-14231-00	.JET,MAIN (0.6)	1	1	1	1	
8	620-14231-33	.JET, MAIN (#165)	1	1	1	1	
9	98507-04008	.SCREW, PAN HEAD	3	3	3	3	
10	127-14186-00	.PIN, FLOAT	1	1	1	1	
11	4KM-14933-00	.SPRING, DIAPHRAGM	1	1	1	1	
12	4SV-24411-00	.DIAPHRAGM	1	1	1	1	
13	4SV-14112-00	.VALVE, THROTTLE 1	1	1	1	1	
14	4WM-14141-02	.NOZZLE, MAIN	1	1	1	1	
15	4SV-14107-20	.NEEDLE VALVE SET	1	1	1	1	
16	1FN-14565-00	.SCREW	1	1	1	1	
17	4SV-14197-00	.PIPE	1	1	1	1	
18	4WM-14291-00	.BRACKET 1	1	1	1	1	
19	4WM-14565-00	.SCREW	2	2	2	2	
20	4WM-85885-00	.THROTTLE SENSOR ASSY	1	1	1	1	
21	3XV-14994-00	.NET, FILTER	1	1	1	1	
22	4KM-14216-00	.SCREW	2	2	2	2	
23	73A-14973-00	.WASHER	2	2	2	2	
24	91492-12008	.PIN, COTTER	2	2	2	2	
25	4WM-14264-00	.COLLAR	1	1	1	1	
26	4WM-14327-00	.WASHER	2	2	2	2	

FIG. 8 CARBURETOR



4WM1100-9080

REF. NO.	PART NO.	DESCRIPTION	SGA9	SGA4	SGAB	SGAC	REMARKS
27	98507-05008	.SCREW, PAN HEAD	1	1	1	1	
28	3FV-14147-00	.O-RING	1	1	1	1	
29	98507-05010	.SCREW, PAN HEAD	1	1	1	1	
30	4WM-14103-00	.THROTTLE SCREW SET	1	1	1	1	
31	4WM-14987-00	.HOSE	1	1	1	1	
32	98507-04010	.SCREW, PAN HEAD	4	4	4	4	
33	4WM-14130-00	.CABLE	1	1	1	1	
34	4WM-14504-00	.ROD SET	1	1	1	1	
35	4WM-1490H-00	.DIAPHRAGM SET 5	1	1	1	1	
36	1UY-14565-00	.SCREW	2	2	2	2	
37	3LD-14958-00	.COVER, DIAPHRAGM	1	1	1	1	
38	4WM-1410A-00	.STARTER SET	1	1	1	1	
39	1HX-14231-20	.JET,PILOT AIR(#100)	1	1	1	1	
40	4KM-14142-35	.JET, PILOT (# 35)	1	1	1	1	
41	5DM-14985-00	.FLOAT	1	1	1	1	
42	3F9-14118-00	.CAP	1	1	1	1	
43	4WM-14918-00	.RING	1	1	1	1	
44	3BT-83790-00	.HEATER ASSY (30W)	1	1	1	1	
45	90201-085R5	.WASHER, PLATE	1	1	1	1	
46	3BT-82103-00	.TERMINAL 1	1	1	1	1	
47	4WM-81517-00	.WIRE, SUB LEAD	1	1	1	1	



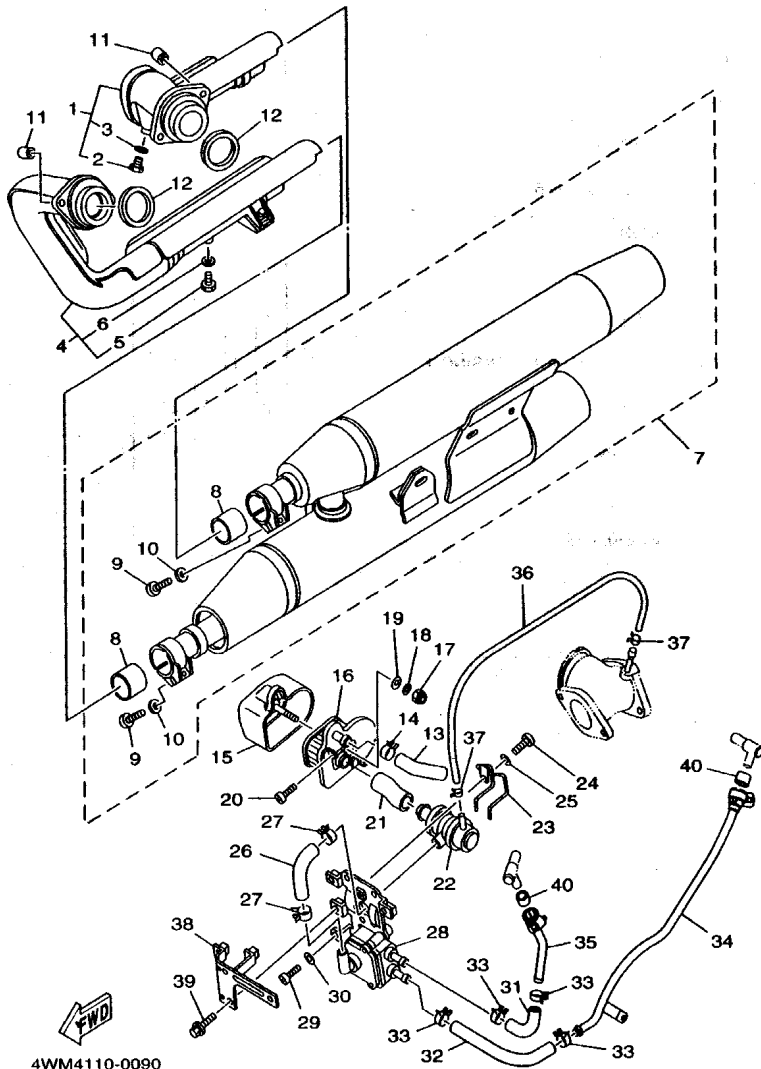


FIG. 9 EXHAUST

REF. NO.	PART NO.	DESCRIPTION	SGA9	SGAA	SGAB	SGAC	REMARKS
1	4WM-14610-00	EXHAUST PIPE ASSY 1	1	1	1	1	
2	97080-06008	.BOLT	1	1	1	1	
3	92990-06600	.WASHER, PLATE	1	1	1	1	
4	4WM-14620-00	EXHAUST PIPE ASSY 2	1	1	1	1	
5	97080-06008	.BOLT	1	1	1	1	
6	92990-06600	.WASHER, PLATE	1	1	1	1	
7	4WM-14710-02	MUFFLER ASSY 1	1	1	1	1	
8	3XW-14755-00	.GASKET, SILENCER	2	2	2	2	
9	97024-08025	.BOLT	2	2	2	2	
10	92904-08600	.WASHER	2	2	2	2	
11	90179-08442	NUT	4	4	4	4	
12	3EG-14613-00	GASKET, EXHAUST PIPE	2	2	2	2	
13	4WM-14885-00	HOSE, BEND 5	1	1	1	1	
14	90467-19065	CLIP	1	1	1	1	
15	4WM-14857-00	CASE, AIR CLEANER	1	1	1	1	
16	4WM-14858-00	CAP, CASE	1	1	1	1	
17	95607-05100	NUT, U	1	1	1	1	
18	92907-05200	WASHER	1	1	1	1	
19	90202-05057	WASHER, PLATE	1	1	1	1	
20	98517-06012	SCREW, PAN HEAD	2	2	2	2	
21	4WM-14882-00	HOSE, BEND 2	1	1	1	1	
22	4WM-14840-00	AIR CUT VALVE ASS'Y	1	1	1	1	
23	90462-20248	CLAMP	1	1	1	1	
24	98507-06010	SCREW, PAN HEAD	3	3	3	3	
25	92907-06600	WASHER, PLATE	3	3	3	3	
26	4WM-14883-00	HOSE, BEND 3	1	1	1	1	
27	90467-19065	CLIP	2	2	2	2	

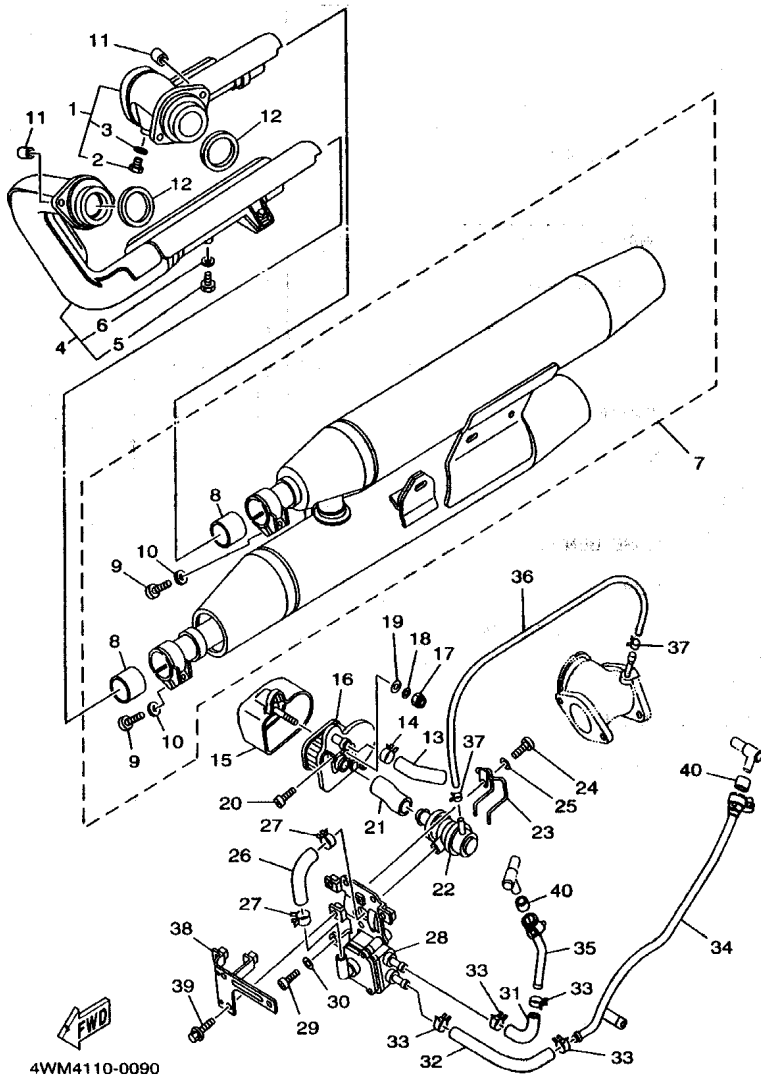


FIG. 9 EXHAUST

REF. NO.	PART NO.	DESCRIPTION	SGA9	SGAA	SGAB	SGAC	REMARKS
28	4WM-14808-00	REED VALVE ASSY	1	1	1	1	
29	98507-06010	SCREW, PAN HEAD	3	3	3	3	
30	92907-06600	WASHER, PLATE	3	3	3	3	
31	4WM-14884-00	HOSE, BEND 4	1	1	1	1	
32	4WM-14886-00	HOSE, BEND 6	1	1	1	1	
33	90468-08104	CLIP	4	4	4	4	
34	4WM-14871-00	PIPE 1	1	1	1	1	
35	4WM-14872-00	PIPE 2	1	1	1	1	
36	4WM-13542-00	HOSE, VACUUM SENSING 1	1	1	1	1	
37	90467-08092	CLIP	2	2	2	2	
38	4WM-14868-00	BRACKET 2	1	1	1	1	
39	95027-06010	BOLT, FLANGE	3	3	3	3	
40	42H-14714-10	GASKET, MUFFLER	2	2	2	2	

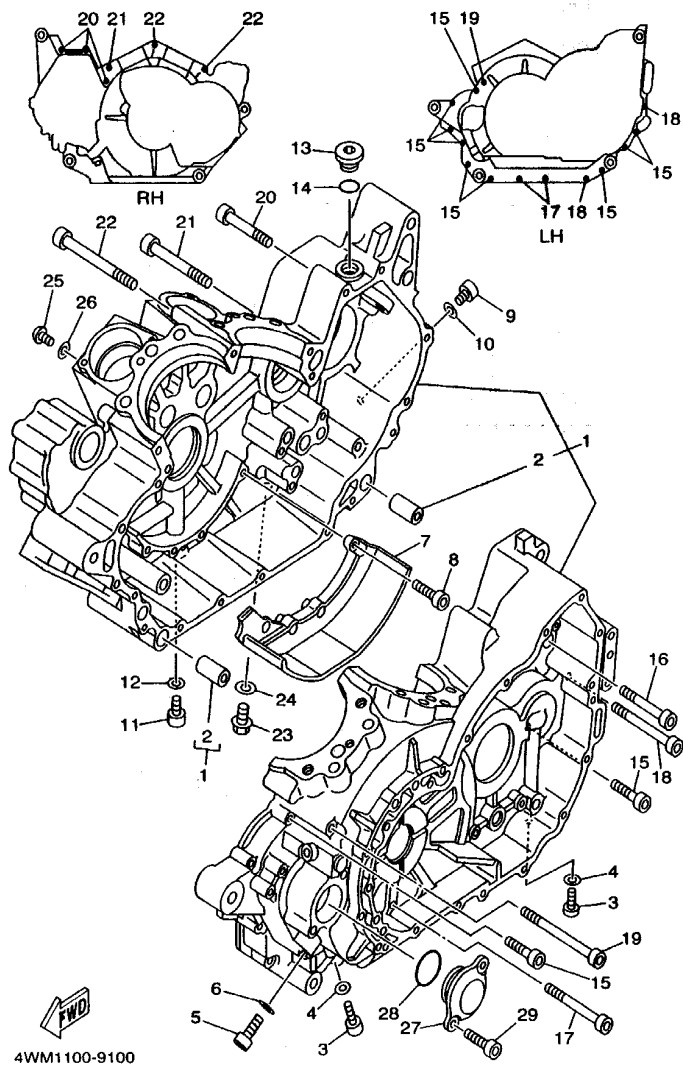


FIG. 10 CRANKCASE

REF. NO.	PART NO.	DESCRIPTION					REMARKS
			5GA9	5GAA	5GAB	5GAC	
1	4WM-15100-00	CRANKCASE ASSY	1	1	1	1	
2	99530-14016	.PIN, DOWEL	2	2	2	2	
3	90110-05003	BOLT, HEXAGON SOCKET HEAD	2	2	2	2	
4	90430-05126	GASKET	2	2	2	2	
5	90110-08004	BOLT, HEXAGON SOCKET HEAD	1	1	1	1	
6	90430-08119	GASKET	1	1	1	1	
7	4WM-15123-00	PLATE, BUFFLE 1	1	1	1	1	
8	90110-06005	BOLT, HEXAGON SOCKET HEAD	4	4	4	4	
9	90110-05003	BOLT, HEXAGON SOCKET HEAD	1	1	1	1	
10	90430-05126	GASKET	1	1	1	1	
11	90110-08004	BOLT, HEXAGON SOCKET HEAD	1	1	1	1	
12	90430-08119	GASKET	1	1	1	1	
13	4H7-15189-00	PLUG	1	1	1	1	
14	93210-22382	O-RING	1	1	1	1	
15	91314-06040	BOLT	9	9	9	9	
16	91314-06060	BOLT	1	1	1	1	
17	91314-06075	BOLT	2	2	2	2	
18	91314-06085	BOLT	2	2	2	2	
19	91314-06105	BOLT	1	1	1	1	
20	91314-06060	BOLT	3	3	3	3	
21	91314-08080	BOLT	1	1	1	1	
22	91314-08100	BOLT	2	2	2	2	
23	95024-08012	BOLT, FLANGE	1	1	1	1	
24	90430-08119	GASKET	1	1	1	1	
25	92014-05010	BOLT, BUTTON HEAD	3	3	3	3	
26	90430-05126	GASKET	3	3	3	3	
27	4WM-15417-00	COVER, CAP	1	1	1	1	

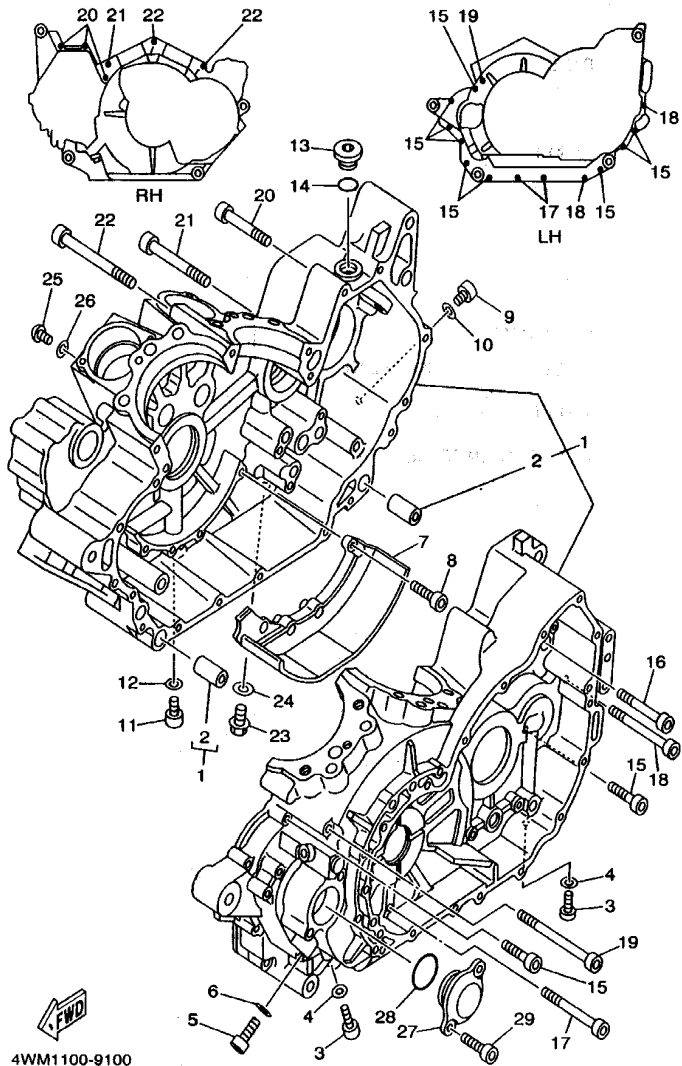


FIG. 10 CRANKCASE

REF. NO.	PART NO.	DESCRIPTION	SGA9	SGAA	SGAB	SGAC	REMARKS
28	93210-37532	O-RING	1	1	1	1	
29	91314-06016	BOLT	2	2	2	2	
-----							
-----							
-----							
-----							
-----							
-----							
-----							

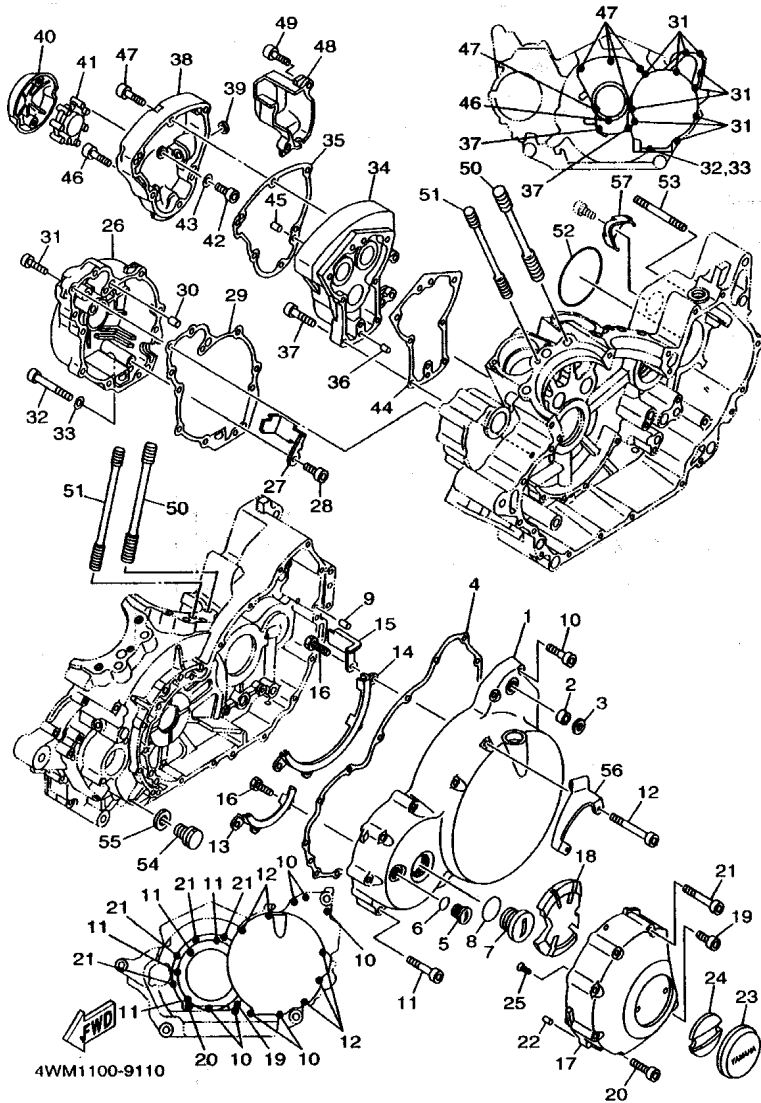


FIG. 11 CRANKCASE COVER 1

REF. NO.	PART NO.	DESCRIPTION	5GAG	5GAA	5GAB	5GAC	REMARKS
1	4WM-15411-00	COVER, CRANKCASE 1	1	1	1	1	
2	93315-11206	BEARING	1	1	1	1	
3	93102-12224	OIL SEAL	1	1	1	1	
4	4WM-15451-00	GASKET, CRANKCASE COVER 1	1	1	1	1	
5	90340-14117	PLUG, STRAIGHT SCREW	1	1	1	1	
6	93210-14369	O-RING	1	1	1	1	
7	90340-32080	PLUG, STRAIGHT SCREW	1	1	1	1	
8	93210-32172	O-RING	1	1	1	1	
9	99530-10114	PIN, DOWEL	2	2	2	2	
10	91314-06035	BOLT	7	7	7	7	
11	91314-06045	BOLT	4	4	4	4	
12	91314-06070	BOLT	5	5	5	5	
13	4WM-15142-00	GUIDE 1	1	1	1	1	
14	4WM-15143-00	GUIDE	1	1	1	1	
15	4WM-15484-00	CLAMP 2	1	1	1	1	
16	98507-06010	SCREW, PAN HEAD	7	7	7	7	
17	4WM-15423-00	COVER 2	1	1	1	1	
18	4WM-15326-00	DAMPER, ENGINE MOUNT 2	1	1	1	1	
19	91314-06025	BOLT	1	1	1	1	
20	91314-06035	BOLT	1	1	1	1	
21	91314-06060	BOLT	4	4	4	4	
22	91808-16023	PIN, DOWEL	2	2	2	2	
23	4WM-15425-00	COVER, GENERATOR 2	1	1	1	1	
24	4WM-15316-00	DAMPER, ENGINE MOUNT 1	1	1	1	1	
25	90151-05001	SCREW, COUNTERSUNK	2	2	2	2	
26	4WM-15421-00	COVER, CRANKCASE 2	1	1	1	1	
27	4WM-15377-00	GUIDE, INLET	1	1	1	1	

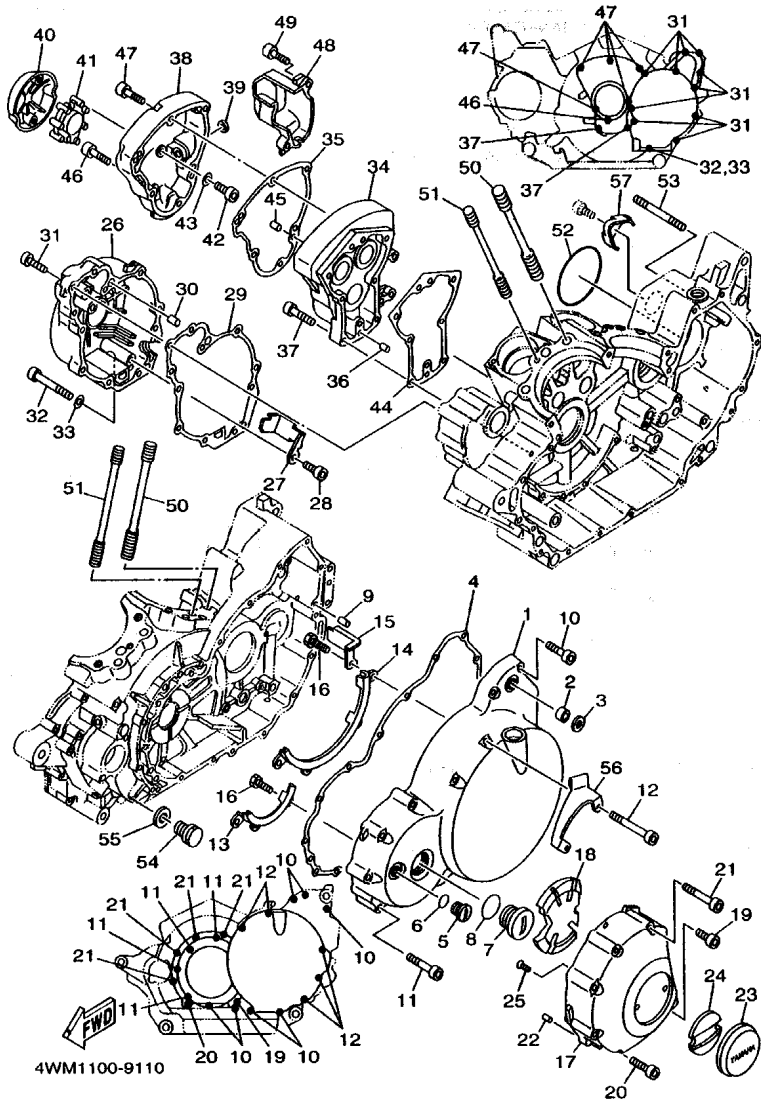


FIG. 11 CRANKCASE COVER 1

REF. NO.	PART NO.	DESCRIPTION	SGA9	SGAA	SGAB	SGAC	REMARKS
28	91317-06010	BOLT	1	1	1	1	
29	4WM-15461-00	GASKET, CRANKCASE COVER 2	1	1	1	1	
30	99530-10114	PIN, DOWEL	2	2	2	2	
31	91314-06030	BOLT	10	10	10	10	
32	91314-06065	BOLT	1	1	1	1	
33	90430-06014	GASKET	1	1	1	1	
34	4WM-15431-00	COVER, CRANKCASE 3	1	1	1	1	
35	4WM-15462-00	GASKET, CRANKCASE COVER 3	1	1	1	1	
36	93606-10227	PIN, DOWEL	2	2	2	2	
37	91314-06035	BOLT	7	7	7	7	
38	4WM-12278-01	COVER, DECOMP.	1	1	1	1	
39	93104-08089	OIL SEAL	1	1	1	1	
40	4WM-15427-00	COVER, CAP 2	1	1	1	1	
41	4WM-15335-00	DAMPER 3	1	1	1	1	
42	90110-06004	BOLT, HEXAGON SOCKET HEAD	2	2	2	2	
43	90430-06014	GASKET	2	2	2	2	
44	4WM-12286-00	GASKET, DECOMPRESSION	1	1	1	1	
45	93606-10227	PIN, DOWEL	2	2	2	2	
46	91314-06025	BOLT	1	1	1	1	
47	91314-06030	BOLT	5	5	5	5	
48	4WM-12275-00	COVER, DECOMP LEVER	1	1	1	1	
49	91314-06025	BOLT	2	2	2	2	
50	90116-12240	BOLT, STUD	8	8	8	8	
51	90116-10344	BOLT, STUD	4	4	4	4	
52	93210-750A1	O-RING	1	1	1	1	
53	90116-08065	BOLT, STUD	1	1	1	1	
54	90340-14132	PLUG, STRAIGHT SCREW	1	1	1	1	

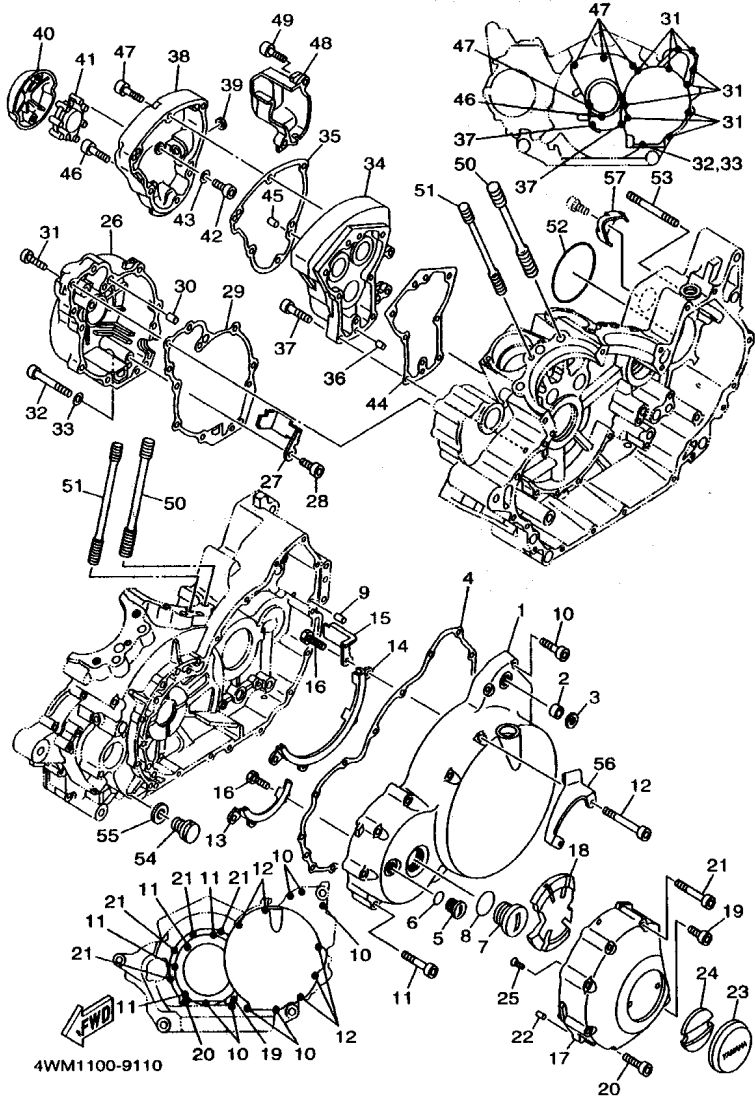
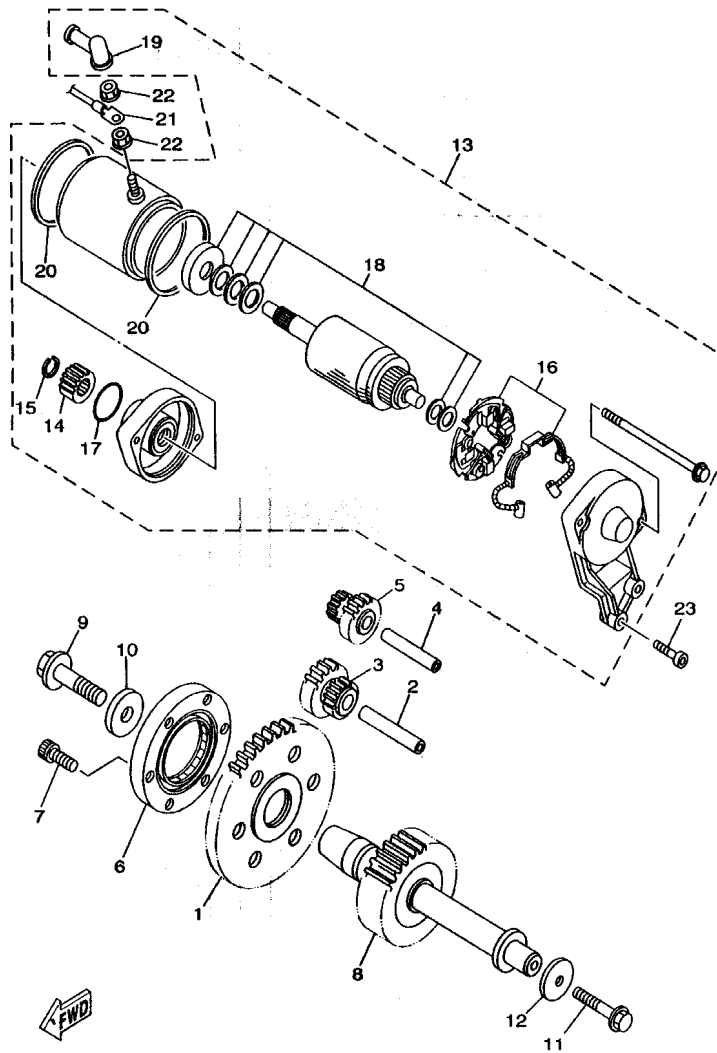


FIG. 11 CRANKCASE COVER 1

REF. NO.	PART NO.	DESCRIPTION	5GA9	5GAA	5GAB	5GAC	REMARKS
55	214-11198-01	GASKET	1	1	1	1	
56	4WM-15441-00	HOLDER, CLUTCH CABLE	1	1	1	1	
57	4WM-15413-00	COVER, CARBURETOR	1	1	1	1	



4WM1100-9120

FIG. 12 STARTER

REF. NO.	PART NO.	DESCRIPTION	5GAB	5GAA	5GAB	5GAC	REMARKS
1	4WM-15515-00	GEAR 3	1	1	1	1	
2	4WM-15522-00	SHAFT 2	1	1	1	1	
3	4WM-15517-00	GEAR, IDLER 2	1	1	1	1	
4	4WM-15521-00	SHAFT 1	1	1	1	1	
5	4WM-15512-00	GEAR, IDLER 1	1	1	1	1	
6	4WM-15590-00	STARTER ONE-WAY ASSY	1	1	1	1	
7	90110-08212	BOLT, HEXAGON SOCKET HEAD	6	6	6	6	
8	4WM-15659-00	SHAFT	1	1	1	1	
9	90105-12584	BOLT, WASHER BASED	1	1	1	1	
10	90201-121H0	WASHER, PLATE	1	1	1	1	
11	95817-08045	BOLT, FLANGE	1	1	1	1	
12	4WM-15653-00	WASHER	1	1	1	1	
13	4WM-81890-00	MOTOR ASSY	1	1	1	1	
14	1VJ-15511-00	.GEAR, STARTING MOTOR	1	1	1	1	
15	93440-11024	.CIRCLIP	1	1	1	1	
16	3AJ-81801-00	.BRUSH SET	1	1	1	1	
17	1FK-81847-00	.O-RING	1	1	1	1	
18	3HE-81809-00	.WASHER KIT	1	1	1	1	
19	4G0-81871-00	.CAP	1	1	1	1	
20	11H-81844-00	.GASKET	2	2	2	2	
21	4WM-81815-00	CORD, STARTER MOTOR	1	1	1	1	
22	4XV-8182A-00	NUT	2	2	2	2	
23	91314-06025	BOLT	2	2	2	2	



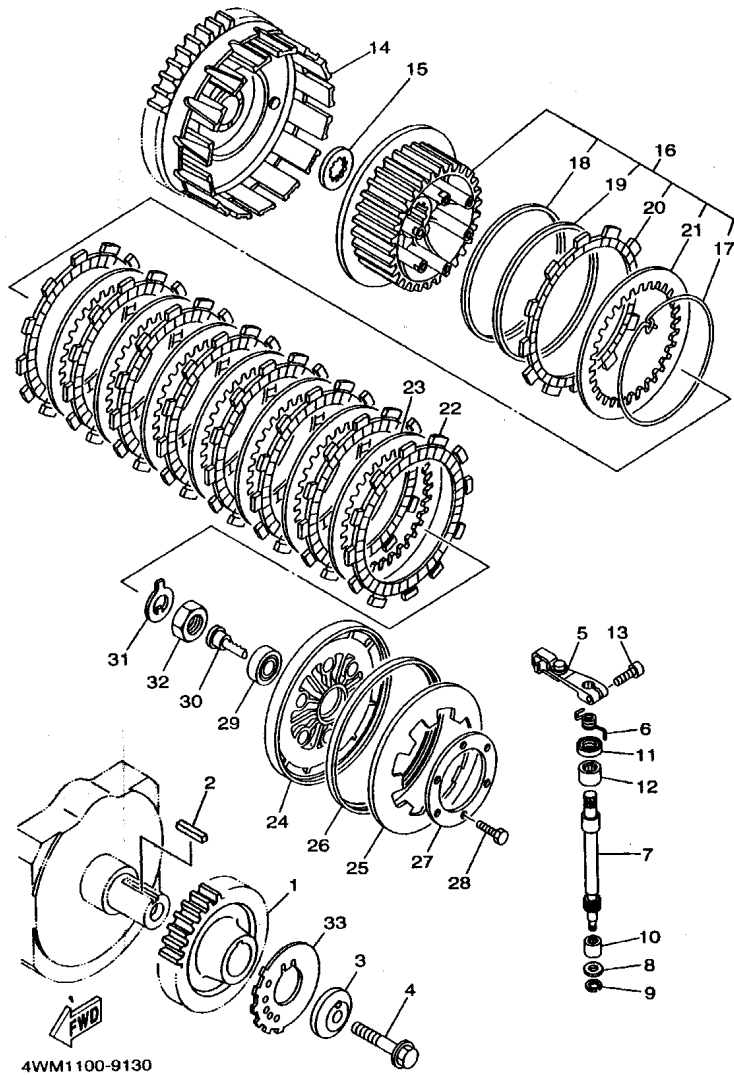
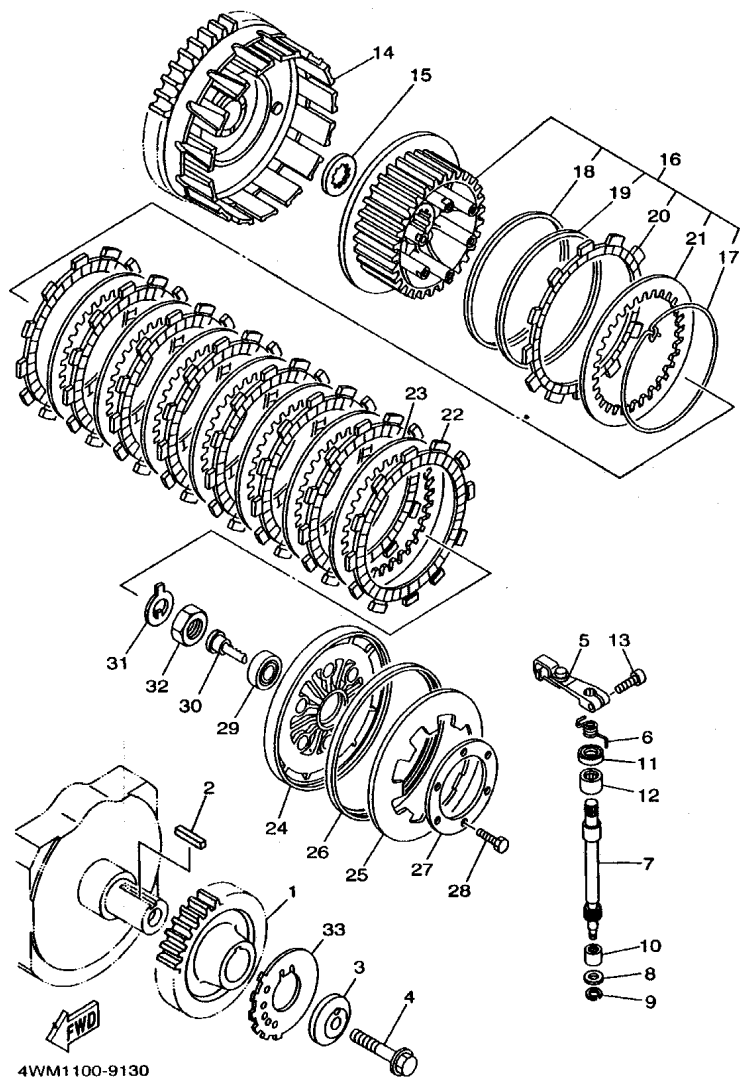


FIG. 13 CLUTCH

REF. NO.	PART NO.	DESCRIPTION	5GAB	5GAA	5GAB	5GAC	REMARKS
1	4WM-16111-00	GEAR, PRIMARY DRIVE	1	1	1	1	
2	4WM-16193-00	KEY, FEATHER	1	1	1	1	
3	4WM-16181-00	SPACER 1	1	1	1	1	
4	90101-12746	BOLT	1	1	1	1	
5	4WM-16340-00	PUSH LEVER ASSY	1	1	1	1	
6	4WM-16539-00	SPRING	1	1	1	1	
7	4WM-16382-00	AXLE, PUSH LEVER	1	1	1	1	
8	92907-08600	WASHER, PLATE	1	1	1	1	
9	99001-07600	CIRCLIP	1	1	1	1	
10	93317-11020	BEARING	1	1	1	1	
11	93102-15212	OIL SEAL	1	1	1	1	
12	93315-31502	BEARING	1	1	1	1	
13	91314-06020	BOLT	1	1	1	1	
14	4WM-16150-00	PRIMARY DRIVEN GEAR COMP.	1	1	1	1	
15	26H-16154-00	PLATE, THRUST 1	1	1	1	1	
16	4WM-16370-00	CLUTCH BOSS ASSY	1	1	1	1	
17	26H-16385-00	.RING, CLUTCH BOSS	1	1	1	1	
18	26H-16384-00	.PLATE, SEAT	1	1	1	1	
19	1FK-16383-00	.SPRING, CLUTCH BOSS	1	1	1	1	
20	26H-16321-00	.PLATE, FRICTION	1	1	1	1	
21	26H-16324-00	.PLATE, CLUTCH 1	1	1	1	1	
22	26H-16307-00	PLATE, FRICTION 3	8	8	8	8	
23	26H-16324-00	PLATE, CLUTCH 1	7	7	7	7	
24	1FK-16351-00	PLATE, PRESSURE 1	1	1	1	1	
25	4NK-16334-00	SPRING, CLUTCH 2	1	1	1	1	
26	1FK-16335-00	HOUSING, SPRING	1	1	1	1	
27	1FK-16352-00	PLATE, PRESSURE 2	1	1	1	1	

C8

FIG. 13 CLUTCH



REF. NO.	PART NO.	DESCRIPTION	FGA9	FGAA	FGAB	FGAC	REMARKS
28	97007-06025	BOLT	6	6	6	6	
29	93306-00304	BEARING (B6003C4)	1	1	1	1	
30	4XV-16356-01	ROD, PUSH 1	1	1	1	1	
31	90215-25218	WASHER, LOCK	1	1	1	1	
32	90170-20323	NUT	1	1	1	1	
33	4WM-81673-00	ROTOR	1	1	1	1	

C9

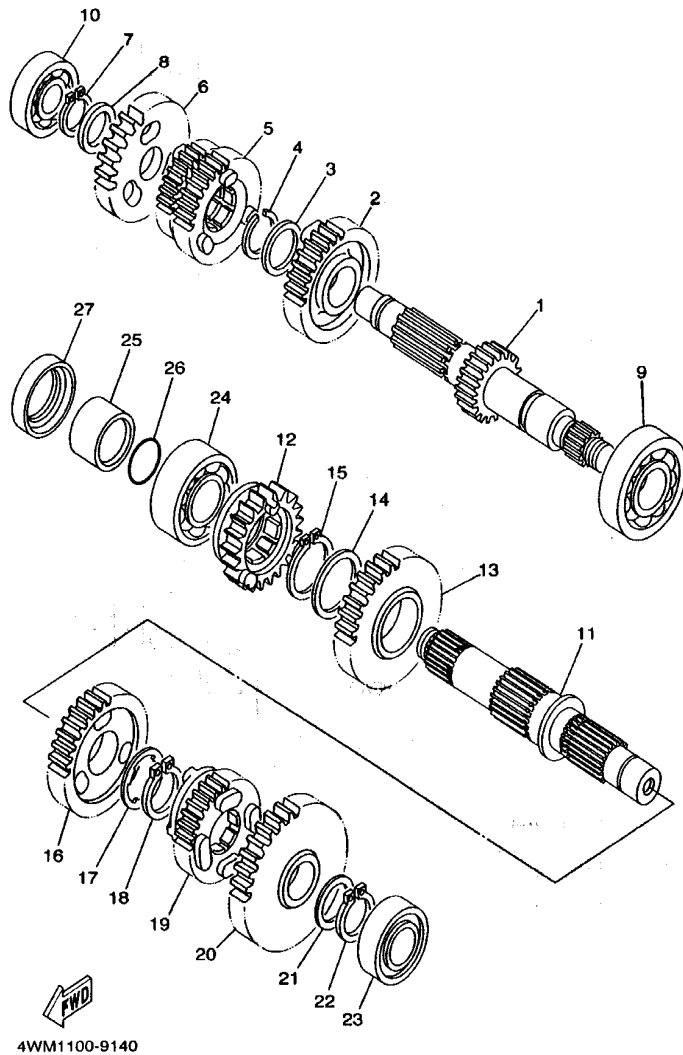
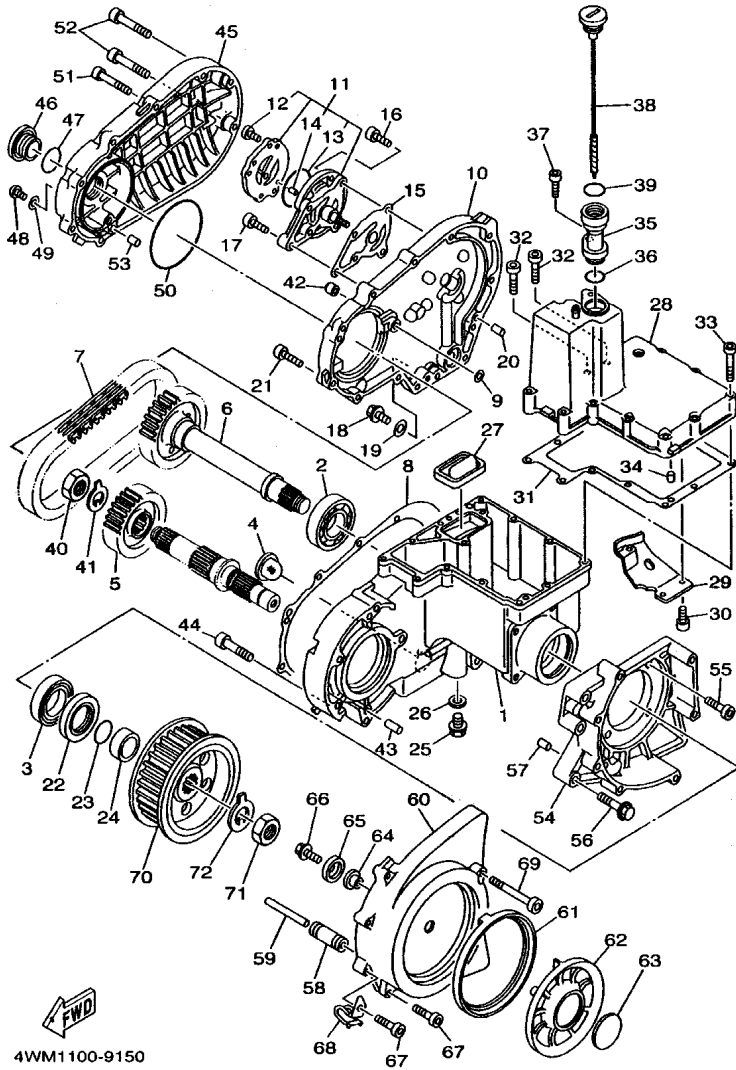


FIG. 14 TRANSMISSION

REF. NO.	PART NO.	DESCRIPTION					REMARKS
			5GAB	5GAA	5GAB	5GAC	
1	4WM-17411-00	AXLE, MAIN	1	1	1	1	
2	4NK-17141-01	GEAR, 4TH PINION (32T)	1	1	1	1	
3	90209-25196	WASHER	1	1	1	1	
4	93440-28062	CIRCLIP	1	1	1	1	
5	4NK-17121-01	GEAR, 2ND/3RD PINION (19T/25T)	1	1	1	1	
6	4NK-17151-00	GEAR, 5TH PINION (28T)	1	1	1	1	
7	93410-23056	CIRCLIP	1	1	1	1	
8	90201-232K5	WASHER, PLATE	1	1	1	1	
9	93306-37806	BEARING	1	1	1	1	
10	93306-30441	BEARING	1	1	1	1	
11	4WM-17421-00	AXLE, DRIVE	1	1	1	1	
12	4NK-17251-00	GEAR, 5TH WHEEL (21T)	1	1	1	1	
13	4NK-17221-01	GEAR, 2ND WHEEL (30T)	1	1	1	1	
14	90209-32231	WASHER	1	1	1	1	
15	93440-34025	CIRCLIP	1	1	1	1	
16	4NK-17231-01	GEAR, 3RD WHEEL (29T)	1	1	1	1	
17	90209-27192	WASHER	1	1	1	1	
18	93440-30077	CIRCLIP	1	1	1	1	
19	4NK-17241-01	GEAR, 4TH WHEEL (29T)	1	1	1	1	
20	4NK-17211-01	GEAR, 1ST WHEEL (39T)	1	1	1	1	
21	90201-256K6	WASHER, PLATE (0.9T)	1	1	1	1	
22	93410-25017	CIRCLIP	1	1	1	1	
23	93306-20550	BEARING (B6205DU8)	1	1	1	1	
24	93305-20607	BEARING	1	1	1	1	
25	90387-3015P	COLLAR	1	1	1	1	
26	93210-30660	O-RING	1	1	1	1	
27	93103-38184	OIL SEAL	1	1	1	1	

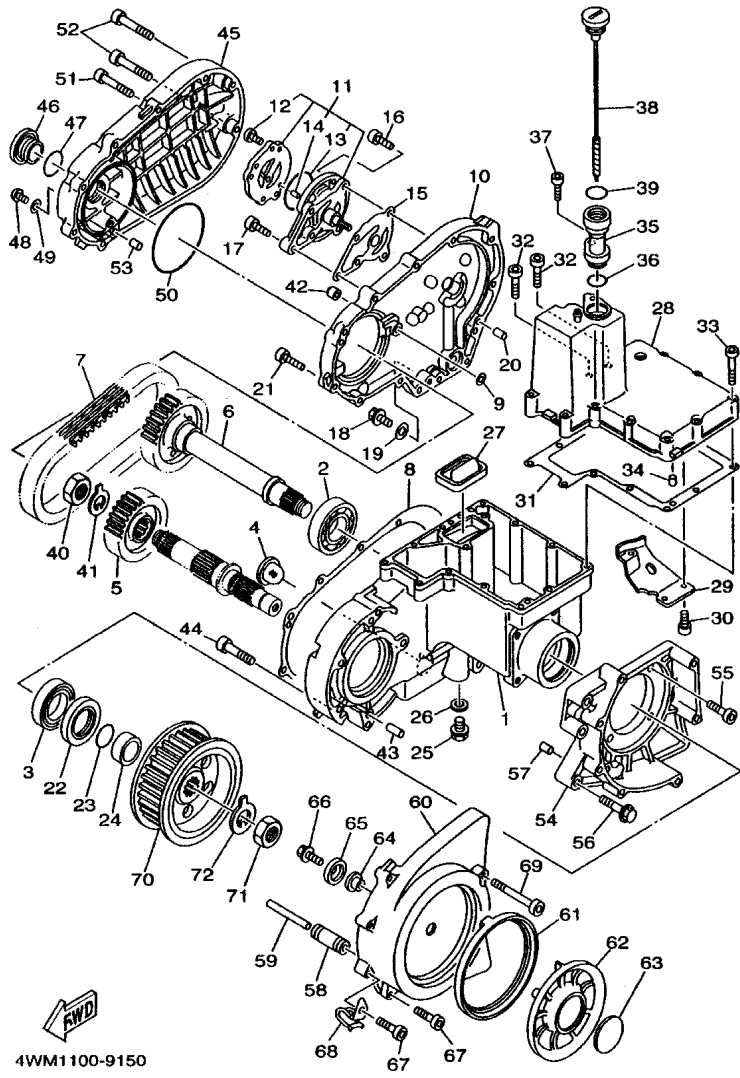
C10

FIG. 15 MIDDLE DRIVE GEAR



4WM1100-9150

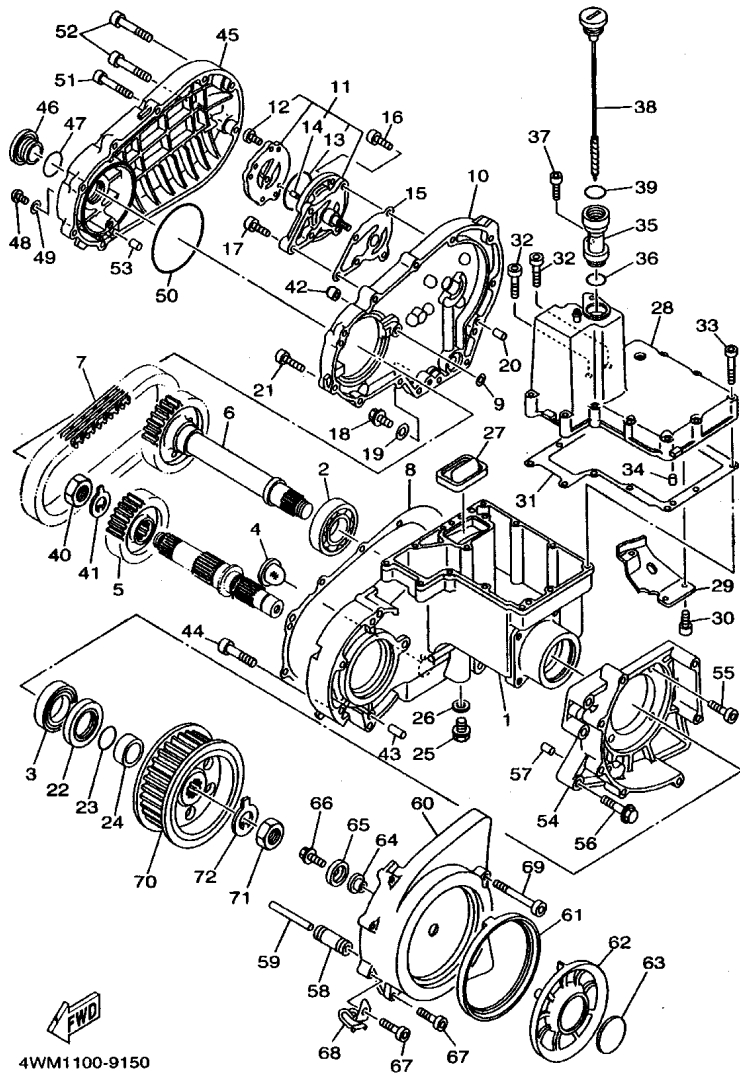
REF. NO.	PART NO.	DESCRIPTION	SGA9	SGAA	SGAB	SGAC	REMARKS
1	4WM-17541-01	CASE, TRANSFER 1	1	1	1	1	
2	93306-20715	BEARING	1	1	1	1	
3	93306-20601	BEARING (B6206C3)	1	1	1	1	
4	4WM-13286-00	CLEANER	1	1	1	1	
5	4WM-17682-00	SPROCKET, CHAIN DRIVE	1	1	1	1	
6	4WM-1755A-00	MIDDLE DRIVEN SHAFT ASSY	1	1	1	1	
7	4WM-16139-00	CHAIN, PRIMARY	1	1	1	1	
8	4WM-17929-00	GASKET 1	1	1	1	1	
9	4WM-17931-00	GASKET 2	1	1	1	1	
10	4WM-17542-00	CASE, TRANSFER 2	1	1	1	1	
11	4WM-13100-00	OIL PUMP ASSY	1	1	1	1	
12	90157-06124	.SCREW, PAN HEAD	2	2	2	2	
13	93210-48214	.O-RING	1	1	1	1	
14	93603-07073	.PIN, DOWEL	2	2	2	2	
15	4WM-13116-00	GASKET, PUMP CASE	1	1	1	1	
16	90110-06222	BOLT, HEXAGON SOCKET HEAD	3	3	3	3	
17	90110-06225	BOLT, HEXAGON SOCKET HEAD	2	2	2	2	
18	95814-08016	BOLT, FLANGE	1	1	1	1	
19	90430-08119	GASKET	1	1	1	1	
20	99530-10114	PIN, DOWEL	2	2	2	2	
21	91314-06025	BOLT	6	6	6	6	
22	93102-40330	OIL SEAL	1	1	1	1	
23	93210-30660	O-RING	1	1	1	1	
24	90387-304K7	COLLAR	1	1	1	1	
25	90340-14132	PLUG, STRAIGHT SCREW	1	1	1	1	
26	214-11198-01	GASKET	1	1	1	1	
27	4WM-13421-00	STRAINER 2	1	1	1	1	



4WM1100-9150

FIG. 15 MIDDLE DRIVE GEAR

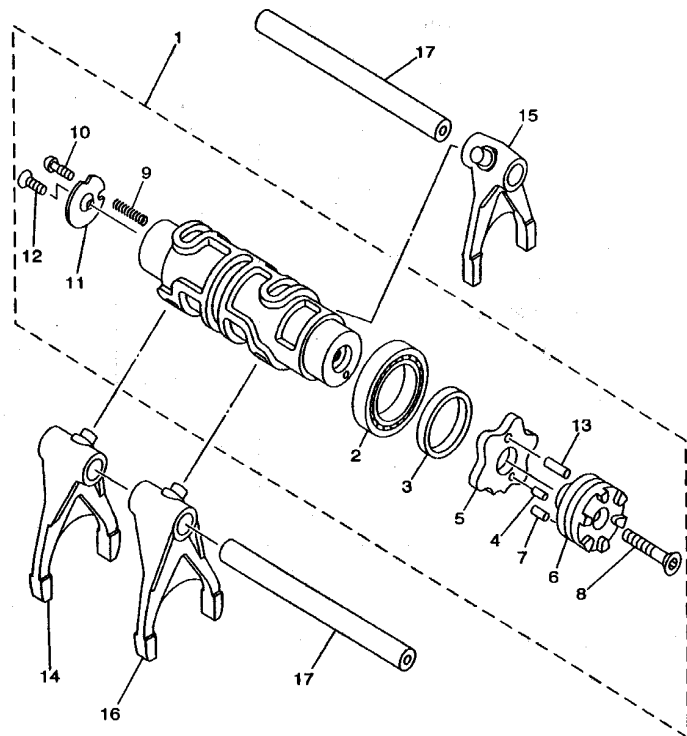
REF. NO.	PART NO.	DESCRIPTION	5GA9	5GAA	5GAB	5GAC	REMARKS
28	4WM-17631-00	CAP	1	1	1	1	
29	4WM-1763A-00	PLATE, CAP	1	1	1	1	
30	90110-06004	BOLT, HEXAGON SOCKET HEAD	3	3	3	3	
31	4WM-17932-00	GASKET,3	1	1	1	1	
32	91317-06030	BOLT	2	2	2	2	
33	91317-06040	BOLT	13	13	13	13	
34	99530-10114	PIN, DOWEL	2	2	2	2	
35	4WM-13132-00	JOINT	1	1	1	1	
36	93210-23326	O-RING	1	1	1	1	
37	91317-06025	BOLT	1	1	1	1	
38	4WM-15362-00	PLUG, OIL LEVEL	1	1	1	1	
39	93210-27370	O-RING	1	1	1	1	
40	90179-22698	NUT	1	1	1	1	
41	90215-30233	WASHER, LOCK	1	1	1	1	
42	90179-08004	NUT	1	1	1	1	
43	99530-10114	PIN, DOWEL	2	2	2	2	
44	91314-08050	BOLT	4	4	4	4	
45	4WM-15779-00	COVER	1	1	1	1	
46	90340-32140	PLUG, STRAIGHT SCREW	1	1	1	1	
47	93210-32172	O-RING	1	1	1	1	
48	92014-06010	BOLT, BUTTON HEAD	1	1	1	1	
49	90430-06016	GASKET	1	1	1	1	
50	93210-92448	O-RING	1	1	1	1	
51	91314-06050	BOLT	5	5	5	5	
52	90110-08003	BOLT, HEXAGON SOCKET HEAD	2	2	2	2	
53	99530-10114	PIN, DOWEL	2	2	2	2	
54	4WM-17613-00	STAY	1	1	1	1	



4WM1100-9150

FIG. 15 MIDDLE DRIVE GEAR

REF. NO.	PART NO.	DESCRIPTION	FGA9	FGA	FGAB	FGAC	REMARKS
55	91317-08030	BOLT	4	4	4	4	
56	95814-08050	BOLT, FLANGE	3	3	3	3	
57	99480-10018	PIN	2	2	2	2	
58	4WM-17653-00	SLIDER	2	2	2	2	
59	93606-76259	PIN, DOWEL	2	2	2	2	
60	4WM-17076-00	COVER	1	1	1	1	
61	4WM-15449-00	RING, RUBBER	1	1	1	1	
62	4WM-17665-01	PLATE 1	1	1	1	1	
63	4WM-17675-00	PLATE 2	1	1	1	1	
64	4H7-15486-00	GROMMET	1	1	1	1	
65	90209-06096	WASHER	1	1	1	1	
66	95807-06012	BOLT, FLANGE	1	1	1	1	
67	91314-06035	BOLT	5	5	5	5	
68	90462-06003	CLAMP	1	1	1	1	
69	90110-08002	BOLT, HEXAGON SOCKET HEAD	2	2	2	2	
70	4WM-17651-00	PULLEY, BELT	1	1	1	1	
71	90179-22698	NUT	1	1	1	1	
72	90215-30233	WASHER, LOCK	1	1	1	1	



  
 4WM1100-9160

FIG. 16 SHIFT CAM. FORK

REF. NO.	PART NO.	DESCRIPTION	5GAB	5GAA	5GAB	5GAC	REMARKS
1	4WM-18540-00	SHIFT CAM ASSY	1	1	1	1	
2	93306-90602	.BEARING	1	1	1	1	
3	90560-30234	.SPACER	1	1	1	1	
4	93603-10049	.PIN, DOWEL	1	1	1	1	
5	4NK-18141-00	.PLATE, STOPPER	1	1	1	1	
6	4NK-18185-00	.SEGMENT	1	1	1	1	
7	93604-12037	.PIN, DOWEL	5	5	5	5	
8	90151-06013	.SCREW, COUNTERSUNK	1	1	1	1	
9	90501-06022	.SPRING, COMPRESSION	1	1	1	1	
10	4UN-18542-00	.POINT, NEUTRAL	1	1	1	1	
11	4UN-18566-00	.PLATE, SIDE 2	1	1	1	1	
12	90149-05321	.SCREW	1	1	1	1	
13	93604-16092	.PIN, DOWEL	1	1	1	1	
14	4WM-18511-00	FORK, SHIFT 1	1	1	1	1	
15	4WM-18512-00	FORK, SHIFT 2	1	1	1	1	
16	4WM-18513-00	FORK, SHIFT 3	1	1	1	1	
17	4NK-18531-00	BAR, SHIFT FORK GUIDE 1	2	2	2	2	

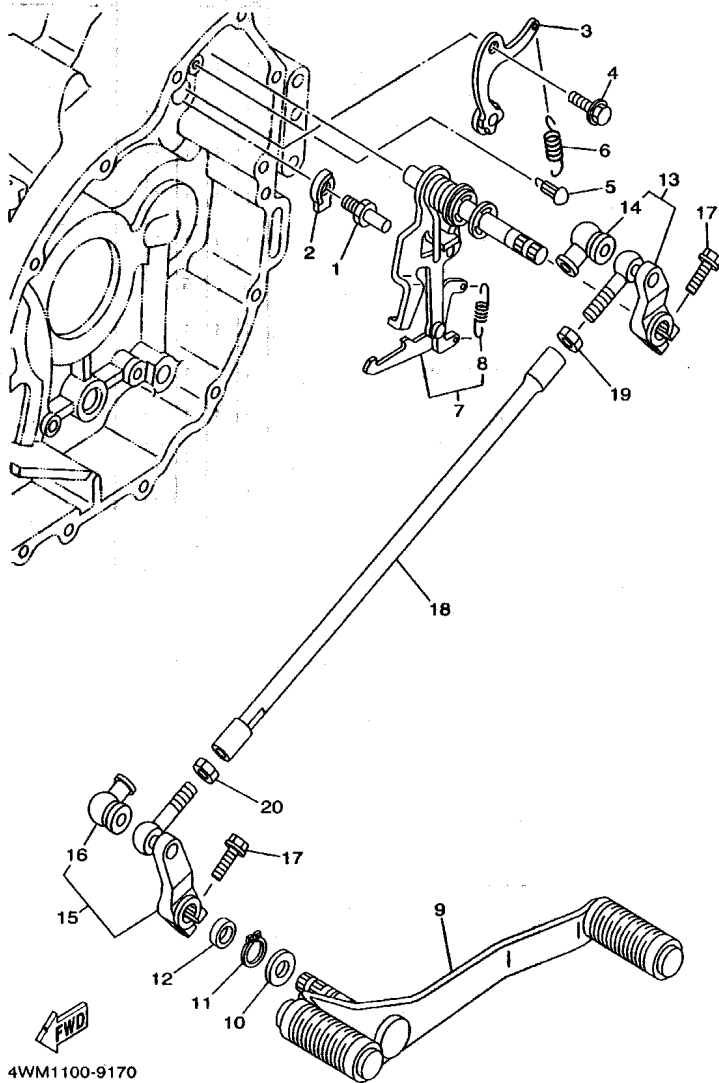
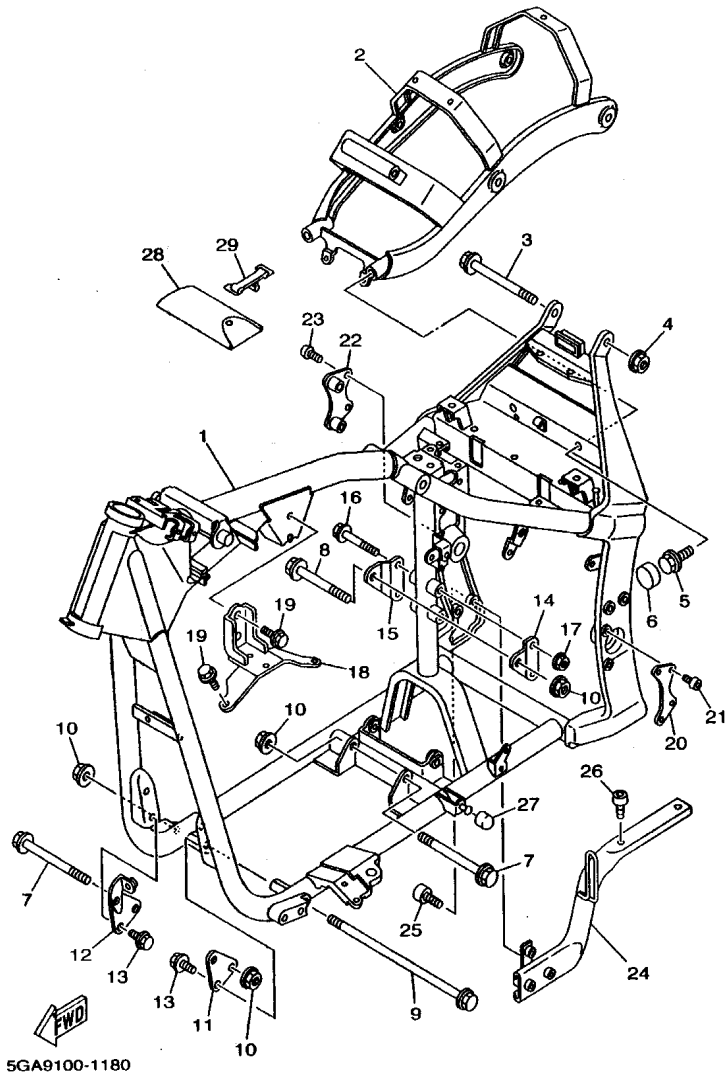


FIG. 17 SHIFT SHAFT

REF. NO.	PART NO.	DESCRIPTION	5GAS	5GAA	5GAB	5GAC	REMARKS
1	90109-08441	BOLT	1	1	1	1	
2	90215-08115	WASHER, LOCK	1	1	1	1	
3	26H-18140-01	STOPPER LEVER ASSY	1	1	1	1	
4	90109-063F8	BOLT	1	1	1	1	
5	132-16346-00	HOOK, SPRING	1	1	1	1	
6	90507-14064	SPRING, TENSION	1	1	1	1	
7	4WM-18101-00	SHIFT SHAFT ASSY	1	1	1	1	
8	90506-08227	SPRING, TENSION	1	1	1	1	
9	4WM-18110-01	SHIFT PEDAL ASSY	1	1	1	1	
10	90201-127E1	WASHER, PLATE	1	1	1	1	
11	99001-10600	CIRCLIP	1	1	1	1	
12	4WM-18154-00	COVER, DUST	1	1	1	1	
13	4WM-18130-00	SHIFT SHAFT ASSY	1	1	1	1	
14	2H9-18154-00	COVER, DUST	1	1	1	1	
15	4WM-18150-00	SHIFT LEVER ASSY	1	1	1	1	
16	2H9-18154-00	COVER, DUST	1	1	1	1	
17	91314-06020	BOLT	2	2	2	2	
18	4WM-18115-00	ROD, SHIFT	1	1	1	1	
19	95304-08700	NUT	1	1	1	1	
20	90170-08358	NUT	1	1	1	1	

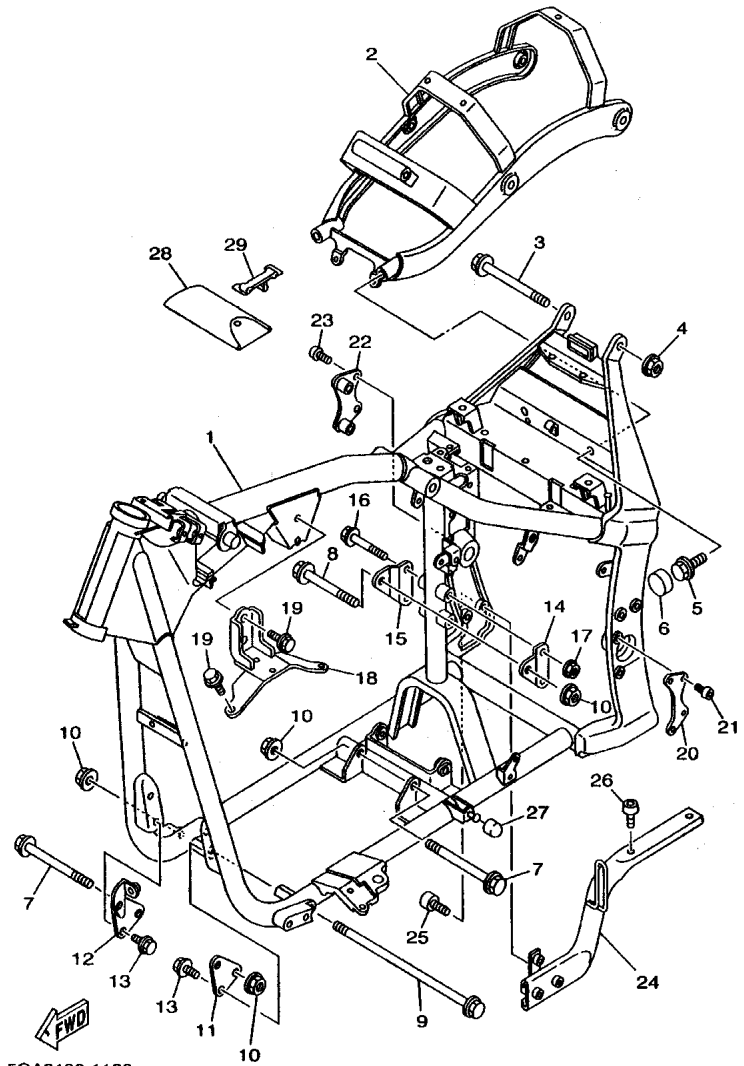


FIG. 18 FRAME



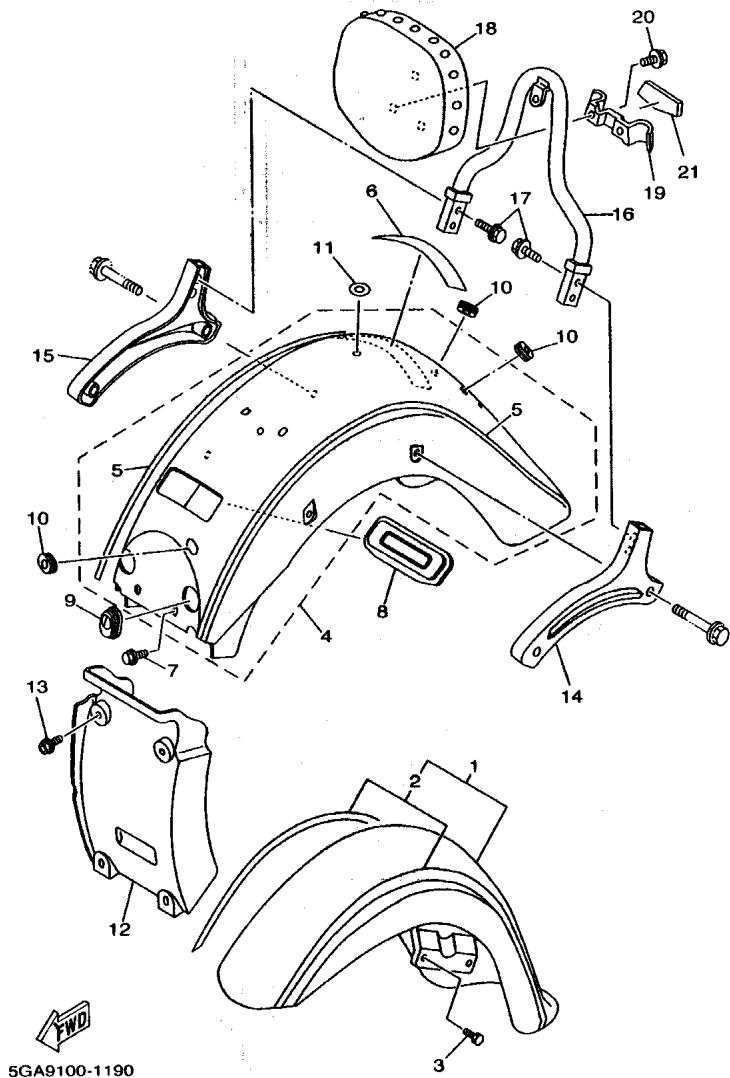
REF. NO.	PART NO.	DESCRIPTION	5GA9	5GAA	5GAB	5GAC	REMARKS
1	4WM-21110-00	FRAME COMP.	1	1	1	1	
2	4WM-21190-00	REAR FRAME COMP.	1	1	1	1	
3	90105-12208	BOLT, WASHER BASED	1	1	1	1	
4	95607-12200	NUT, SELF-LOCKING	1	1	1	1	
5	95827-10035	BOLT, FLANGE	2	2	2	2	
6	4WM-21399-00	CAP, TOOL BOX	2	2	2	2	
7	90105-12208	BOLT, WASHER BASED	2	2	2	2	
8	90105-12309	BOLT, WASHER BASED	1	1	1	1	
9	90105-126A6	BOLT, WASHER BASED	1	1	1	1	
10	95607-12200	NUT, SELF-LOCKING	4	4	4	4	
11	4WM-21314-00	STAY, ENGINE 5	1	1	1	1	
12	4WM-21318-00	STAY, ENGINE 5	1	1	1	1	
13	95827-10016	BOLT, FLANGE	4	4	4	4	
14	4WM-21315-00	STAY, ENGINE 2	1	1	1	1	
15	4WM-21316-00	STAY, ENGINE 3	1	1	1	1	
16	90105-10170	BOLT, WASHER BASED	2	2	2	2	
17	95607-10200	NUT, SELF-LOCKING	2	2	2	2	
18	4WM-21317-00	STAY, ENGINE 3	1	1	1	1	
19	95827-10025	BOLT, FLANGE	4	4	4	4	
20	4WM-2137F-00	STAY 1	1	1	1	1	
21	90111-10003	BOLT	2	2	2	2	
22	5GA-2137G-00	STAY 2	1	1	1	1	
23	90111-10003	BOLT	2	2	2	2	
24	4WM-21445-01	STAY, MUFFLER 1	1	1	1	1	
25	90110-10191	BOLT, HEXAGON SOCKET HEAD	2	2	2	2	
26	92017-10020	BOLT, BUTTON HEAD	2	2	2	2	
27	3VR-27114-00	STOPPER, MAIN STAND	1	1	1	1	

FIG. 18 FRAME



REF. NO.	PART NO.	DESCRIPTION	5GA9	5GAA	5GAB	5GAC	REMARKS
28	4WM-28100-00	TOOL KIT	1	1	1	1	
29	55K-2811G-00	BAND	1	1	1	1	

FIG. 19 FENDER



5GA9100-1190

REF. NO.	PART NO.	DESCRIPTION	5GA9	5GAA	5GAB	5GAC	REMARKS
1	4WM-Y2150-E0-33	FRONT FENDER ASSY	1	1	1	1	UR YB
	4WM-Y2150-C0-7X	FRONT FENDER ASSY	1	1	1	1	UR MYM/BDB
2	4WM-21570-A0	.GRAPHIC SET, FRONT FENDER	1	1	1	1	UR FOR YB
	5JA-21570-00	.GRAPHIC SET, FRONT FENDER	1	1	1	1	UR FOR MYM
3	91314-08025	BOLT	4	4	4	4	
4	4WM-Y2161-E1-33	REAR FENDER COMP.	1	1	1	1	UR YB
	4WM-Y2161-81-7X	REAR FENDER COMP.	1	1	1	1	UR MYM/BDB
5	4WM-2165A-A0	.GRAPHIC SET, REAR FENDER	1	1	1	1	UR FOR YB
	5JA-2165A-00	.GRAPHIC SET, REAR FENDER	1	1	1	1	UR FOR MYM
6	99247-00080	EMBLEM, YAMAHA	1	1	1	1	
7	90119-06056	BOLT, WITH WASHER	2	2	2	2	
8	4WM-21649-00	DAMPER	1	1	1	1	
9	4WM-21638-00	DAMPER 1	2	2	2	2	
10	90480-15061	GROMMET	3	3	3	3	
11	4NK-21735-00	SEAL 2	1	1	1	1	
12	4WM-21629-00-33	GUARD, MUD	1	1	1	1	UR YB
	4WM-21629-00-4V	GUARD, MUD	1	1	1	1	UR BDB FOR MYM
13	90119-06060	BOLT, WITH WASHER	4	4	4	4	
14	5GA-2164A-00	GRIP 1	1	1	1	1	
15	5GA-2164E-00	GRIP 2	1	1	1	1	
16	5GA-2164F-00	STAY 1	1	1	1	1	
17	95024-08012	BOLT, FLANGE	4	4	4	4	
18	5GA-2840F-00	BACK REST ASSY	1	1	1	1	
19	5GA-2164G-00	STAY 2	1	1	1	1	
20	95024-08010	BOLT, FLANGE	3	3	3	3	
21	5GA-24786-00	EMBLEM	1	1	1	1	

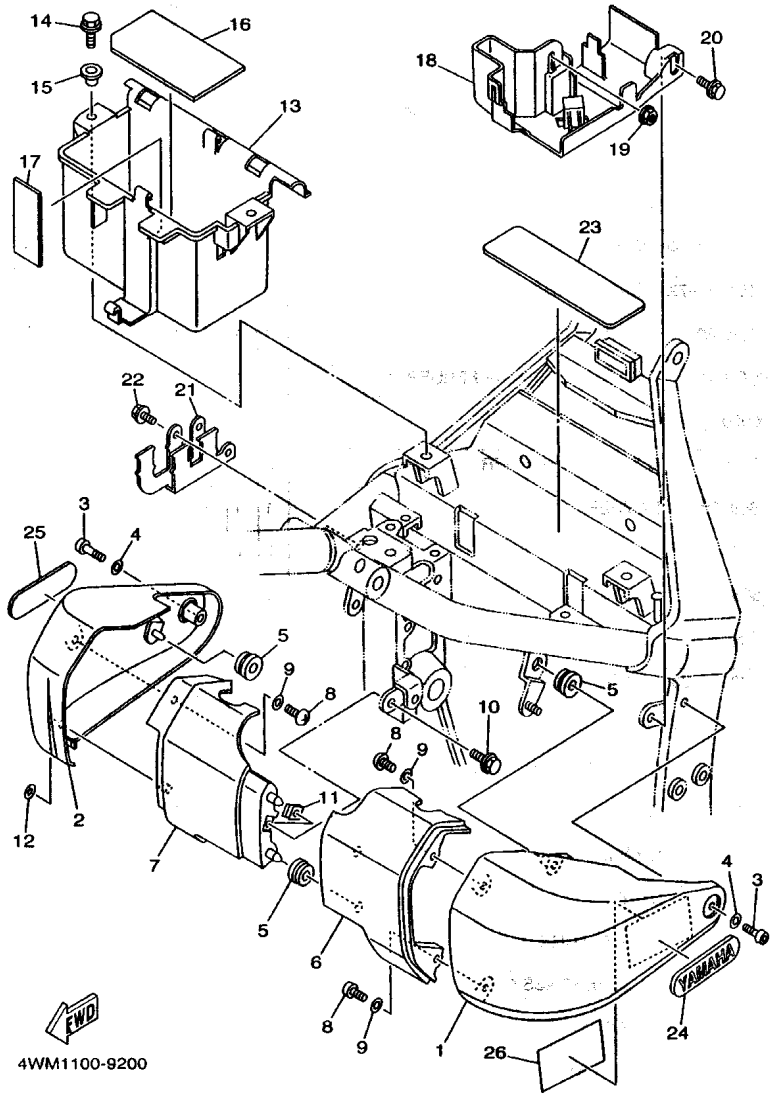


FIG. 20 SIDE COVER

REF. NO.	PART NO.	DESCRIPTION	5GA9	5GAA	5GAB	5GAC	REMARKS
1	4WM-21711-00-33	COVER, SIDE 1	1	1	1	1	UR YB
	4WM-21711-00-JY	COVER, SIDE 1	1	1	1	1	UR MYM
2	4WM-21721-00-33	COVER, SIDE 2	1	1	1	1	UR YB
	4WM-21721-00-JY	COVER, SIDE 2	1	1	1	1	UR MYM
3	90149-06328	SCREW	2	2	2	2	
4	90202-06172	WASHER, PLATE	2	2	2	2	
5	90480-13567	GROMMET	4	4	4	4	
6	4WM-2117X-00-33	COVER 9	1	1	1	1	UR YB
	4WM-2117X-00-JY	COVER 9	1	1	1	1	UR MYM
7	4WM-2117Y-00-33	COVER 10	1	1	1	1	UR YB
	4WM-2117Y-00-JY	COVER 10	1	1	1	1	UR MYM
8	98507-06014	SCREW, PAN HEAD	3	3	3	3	
9	92907-06600	WASHER, PLATE	3	3	3	3	
10	95027-06012	BOLT, FLANGE	1	1	1	1	
11	90183-06053	NUT, SPRING	1	1	1	1	
12	90183-05068	NUT, SPRING	1	1	1	1	
13	4WM-2177G-00	BOX, BATTERY	1	1	1	1	
14	95807-06014	BOLT, FLANGE	2	2	2	2	
15	90387-07717	COLLAR	2	2	2	2	
16	51Y-82122-00	SEAT, BATTERY	1	1	1	1	
17	26H-21746-00	DAMPER	1	1	1	1	
18	4WM-2172E-00	STAY, SIDE COVER 1	1	1	1	1	
19	95707-06500	NUT, FLANGE	1	1	1	1	
20	90119-06194	BOLT, WITH WASHER	1	1	1	1	
21	4WM-2172K-00	BRACKET 1	1	1	1	1	
22	95807-06010	BOLT, FLANGE	2	2	2	2	
23	4WM-21267-00	SHEET 2	1	1	1	1	

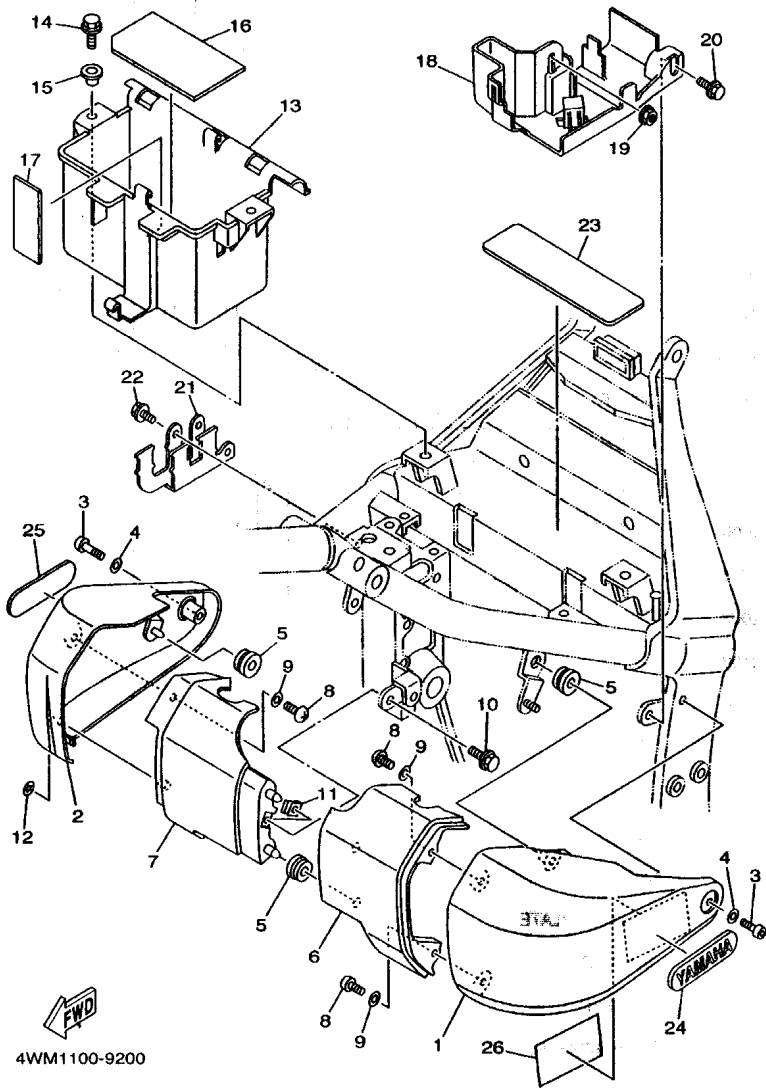


FIG. 20 SIDE COVER

REF. NO.	PART NO.	DESCRIPTION	5GAG	5GAA	5GAB	5GAC	REMARKS
24	3LS-21781-00	EMBLEM 1	1	1	1	1	
25	3LS-21781-00	EMBLEM 1	1	1	1	1	
26	4WM-2179V-20	PLATE, EPA 1(NON CALIFORNIA)	1			1	
	4WM-2179R-20	PLATE, EPA 2(CALIFORNIA)		1			
-----							
-----							
-----							
-----							
-----							
-----							
-----							
-----							
-----							

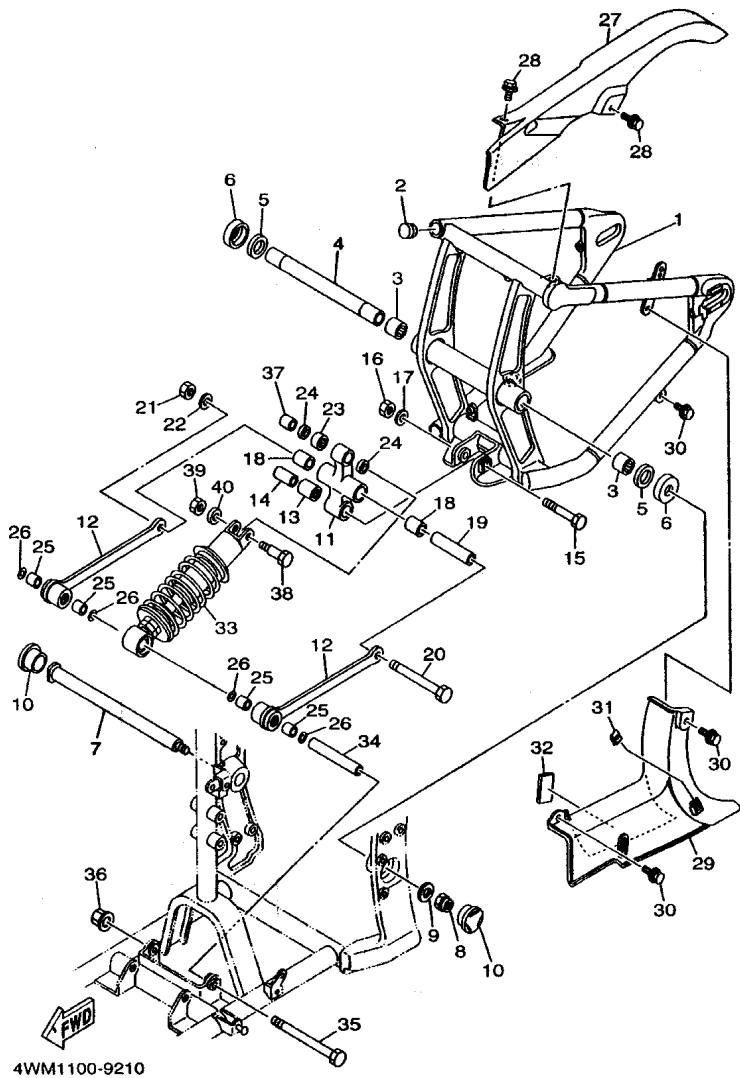


FIG. 21 REAR ARM. SUSPENSION

REF. NO.	PART NO.	DESCRIPTION	SGA9	SGA4	SGAB	SGAC	REMARKS
1	4WM-22110-00	REAR ARM COMP.	1	1	1	1	
2	90336-28053	PLUG, TAPER	1	1	1	1	
3	93317-42550	BEARING	2	2	2	2	
4	4WM-22184-00	BUSH	1	1	1	1	
5	3XV-22127-00	SHIM	2	2	2	2	
6	3FV-22128-00	COVER, THRUST 1	2	2	2	2	
7	3GM-25381-A0	AXLE, WHEEL	1	1	1	1	
8	90185-18104	NUT, SELF-LOCKING	1	1	1	1	
9	90201-186M4	WASHER, PLATE	1	1	1	1	
10	4KM-2219X-00	COVER	2	2	2	2	
11	4WM-2217A-00	ARM, RELAY	1	1	1	1	
12	4WM-2217M-00	ARM 1	2	2	2	2	
13	93317-42060	BEARING	1	1	1	1	
14	90387-122J6	COLLAR	1	1	1	1	
15	90101-12002	BOLT	1	1	1	1	
16	95617-12100	NUT, U	1	1	1	1	
17	90201-127J6	WASHER, PLATE	1	1	1	1	
18	93317-41761	BEARING	2	2	2	2	
19	90387-126T1	COLLAR	1	1	1	1	
20	90101-12673	BOLT	1	1	1	1	
21	95617-12100	NUT, U	1	1	1	1	
22	90201-126A7	WASHER, PLATE	1	1	1	1	
23	93317-31771	BEARING	1	1	1	1	
24	93109-17071	OIL SEAL	2	2	2	2	
25	90384-18157	BUSH, BIMETAL FORMED	4	4	4	4	
26	93210-18397	O-RING	4	4	4	4	
27	4WM-22311-00	CASE, CHAIN	1	1	1	1	

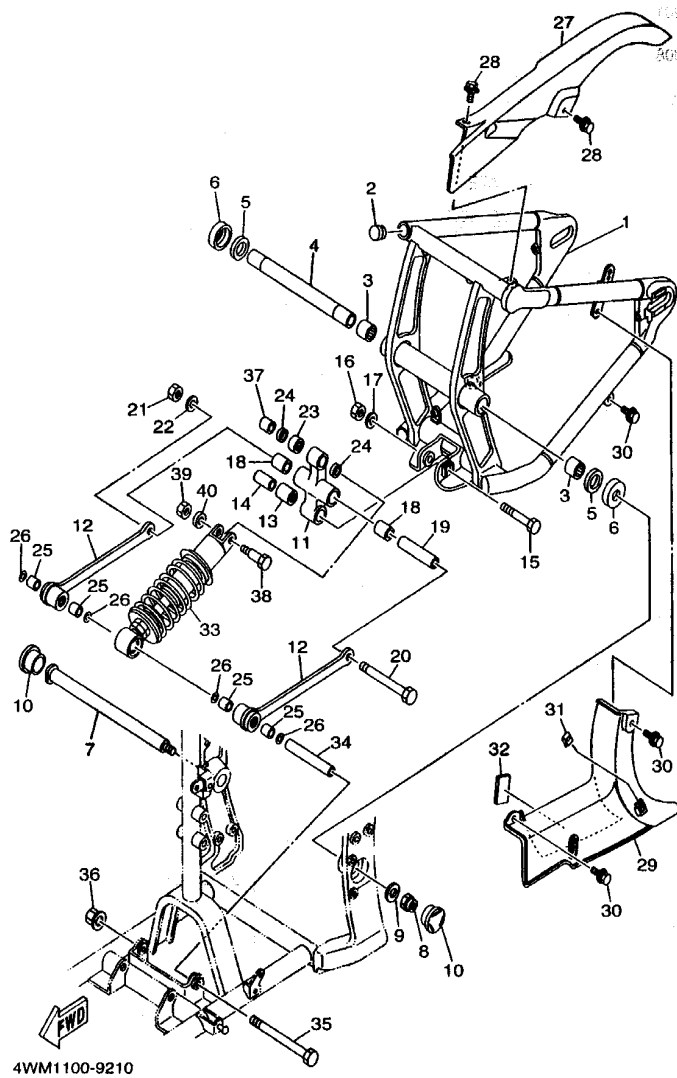
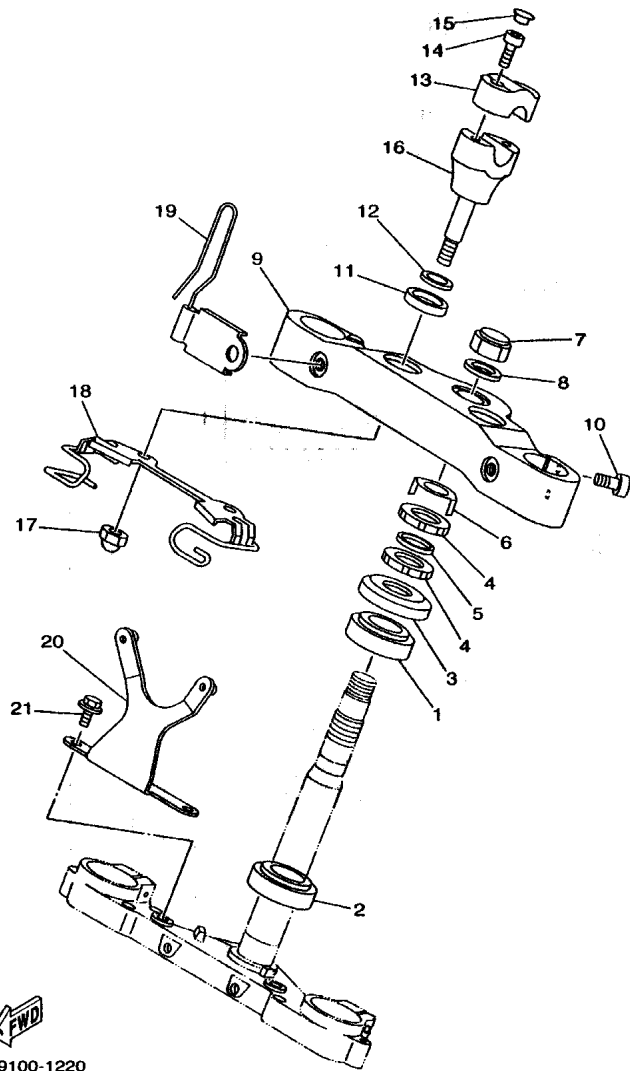


FIG. 21 REAR ARM. SUSPENSION

REF. NO.	PART NO.	DESCRIPTION	5GAB	5GAA	5GAB	5GAC	REMARKS
28	90119-06217	BOLT, WITH WASHER	2	2	2	2	
29	4WM-22312-00	CASE, CHAIN 2	1	1	1	1	
30	90119-06001	BOLT, WITH WASHER	3	3	3	3	
31	90183-06053	NUT, SPRING	1	1	1	1	
32	22F-2139X-00	DAMPER	1	1	1	1	
33	5GA-22210-00	SHOCK ABSORBER ASSY, REAR	1	1		1	
	5GA-22210-10	SHOCK ABSORBER ASSY, REAR			1		
34	90387-1214E	COLLAR	1	1	1	1	
35	90101-12695	BOLT	1	1	1	1	
36	95607-12200	NUT, SELF-LOCKING	1	1	1	1	
37	90387-127W0	COLLAR	1	1	1	1	
38	90101-10659	BOLT	1	1	1	1	
39	95617-10100	NUT, U	1	1	1	1	
40	90201-101J1	WASHER, PLATE	1	1	1	1	



5GA9100-1220

FIG. 22 STEERING

REF. NO.	PART NO.	DESCRIPTION	SGA9	SGA8	SGAB	SGAC	REMARKS
1	93332-00001	BEARING	1	1	1	1	
2	93332-00008	BEARING	1	1	1	1	
3	1W1-23416-00	COVER, BALL RACE 2	1	1	1	1	
4	90179-25033	NUT	2	2	2	2	
5	90202-26142	WASHER, PLATE	1	1	1	1	
6	26H-23418-01	WASHER, SPECIAL	1	1	1	1	
7	90176-22081	NUT, CROWN	1	1	1	1	
8	90201-220T0	WASHER, PLATE	1	1	1	1	
9	4WM-W2341-00	CROWN, HANDLE	1	1	1	1	
10	91314-06030	BOLT	4	4	4	4	
11	3DM-23445-00	DAMPER	2	2	2	2	
12	90201-14220	WASHER, PLATE	2	2	2	2	
13	4VR-23441-00	HOLDER, HANDLE UPPER	2	2	2	2	
14	91314-08025	BOLT	4	4	4	4	
15	90338-08163	PLUG	4	4	4	4	
16	4VR-23442-00	HOLDER, HANDLE LOWER	2	2	2	2	
17	90176-12052	NUT, CROWN	2	2	2	2	
18	4WM-23389-00	GUIDE, CABLE	1	1	1	1	
19	5GA-23389-00	GUIDE, CABLE	1	1	1	1	
20	4WM-23174-00	STAY, HEADLIGHT	1	1	1	1	
21	90105-06010	BOLT, WASHER BASED	2	2	2	2	

D9



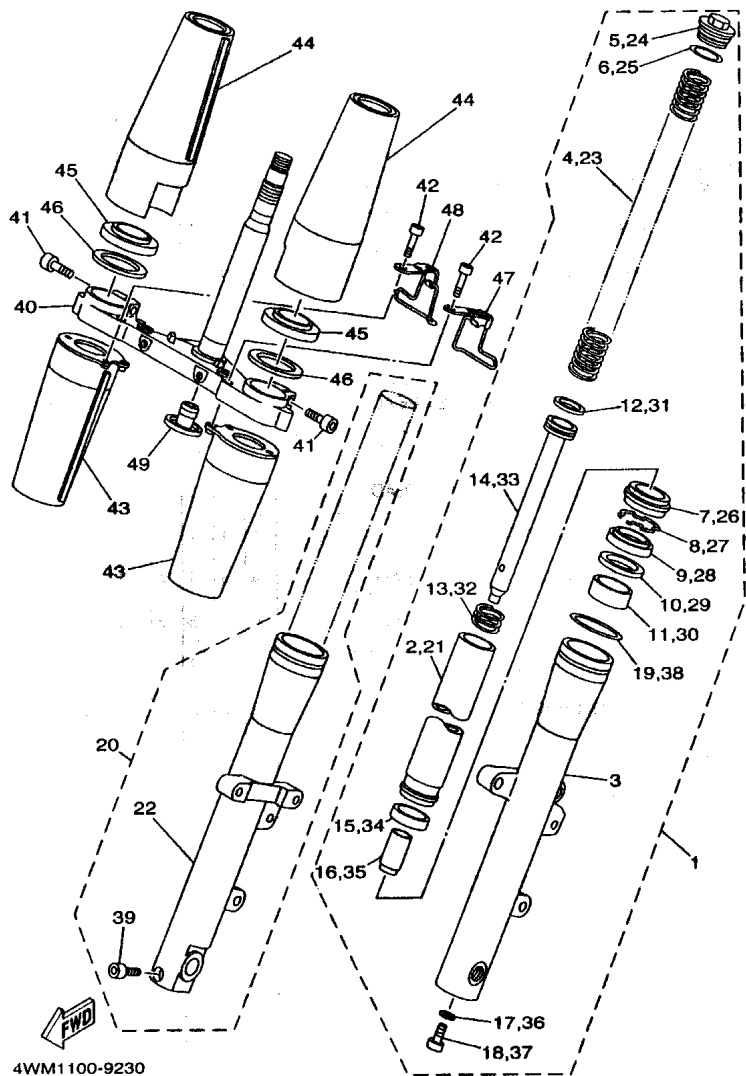


FIG. 23 FRONT FORK

REF. NO.	PART NO.	DESCRIPTION	5G9	5GAA	5GAB	5GAC	REMARKS
1	4WM-23102-00	FRONT FORK ASSY (L.H)	1	1	1	1	
2	4WM-23110-00	.INNER TUBE COMP.1	1	1	1	1	
3	4NK-23126-00	.TUBE, OUTER (LEFT)	1	1	1	1	
4	4WM-23141-00	.SPRING, FRONT FORK	1	1	1	1	
5	4WM-23111-00	.BOLT, CAP	1	1	1	1	
6	4NK-23147-00	.O-RING	1	1	1	1	
7	4NK-23144-00	.SEAL, DUST	1	1	1	1	
8	34L-23153-00	.RING, SNAP	1	1	1	1	
9	4NK-23145-00	.OIL SEAL	1	1	1	1	
10	4NK-23146-00	.WASHER, OIL SEAL	1	1	1	1	
11	4NK-23125-00	.METAL, SLIDE 1	1	1	1	1	
12	4NK-23157-00	.RING, PISTON	1	1	1	1	
13	4NK-23151-00	.SPRING, REBOUND	1	1	1	1	
14	4WM-23171-00	.PISTON, FRONT FORK	1	1	1	1	
15	4NK-23135-00	.METAL, SLIDE 2	1	1	1	1	
16	4WM-23166-00	.SPACER, OIL LOCK	1	1	1	1	
17	3MA-23129-10	.GASKET, DRAIN PLUG	1	1	1	1	
18	4NK-23181-00	.BOLT, HEXAGON SOCKET HEAD	1	1	1	1	
19	4NK-23193-00	.GUIDE, BOOT	1	1	1	1	
20	4WM-23103-00	FRONT FORK ASSY (R.H)	1	1	1	1	
21	4WM-23110-00	.INNER TUBE COMP.1	1	1	1	1	
22	4NK-23136-00	.TUBE, OUTER (RIGHT)	1	1	1	1	
23	4WM-23141-00	.SPRING, FRONT FORK	1	1	1	1	
24	4WM-23111-00	.BOLT, CAP	1	1	1	1	
25	4NK-23147-00	.O-RING	1	1	1	1	
26	4NK-23144-00	.SEAL, DUST	1	1	1	1	
27	34L-23153-00	.RING, SNAP	1	1	1	1	

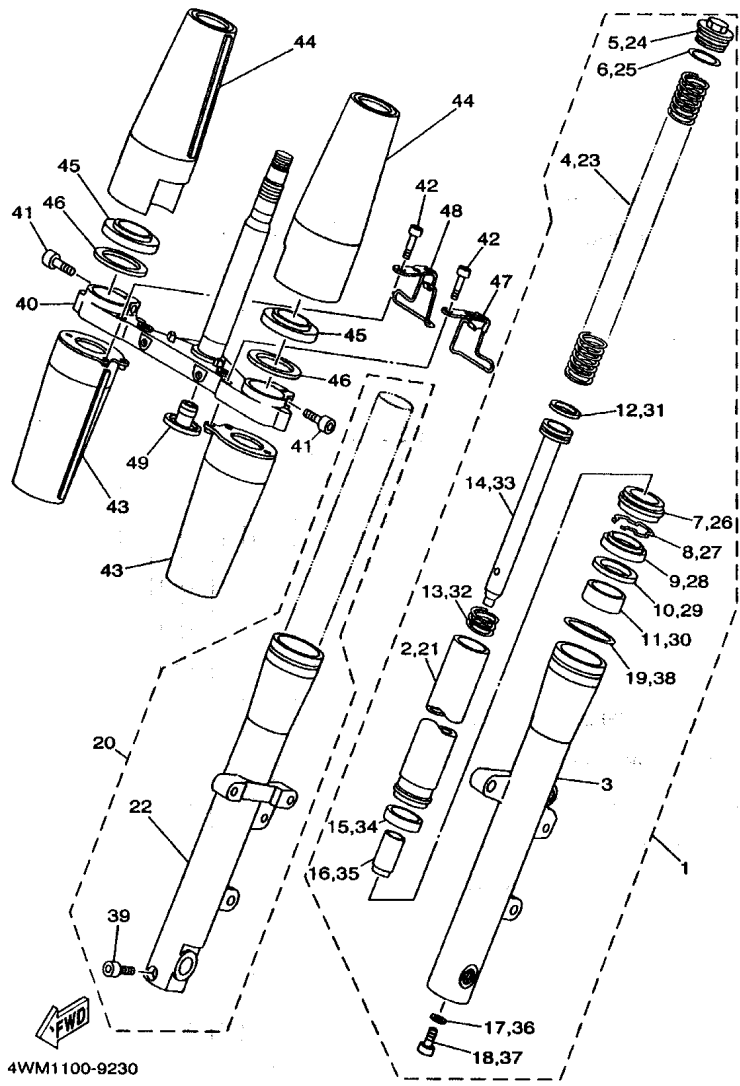
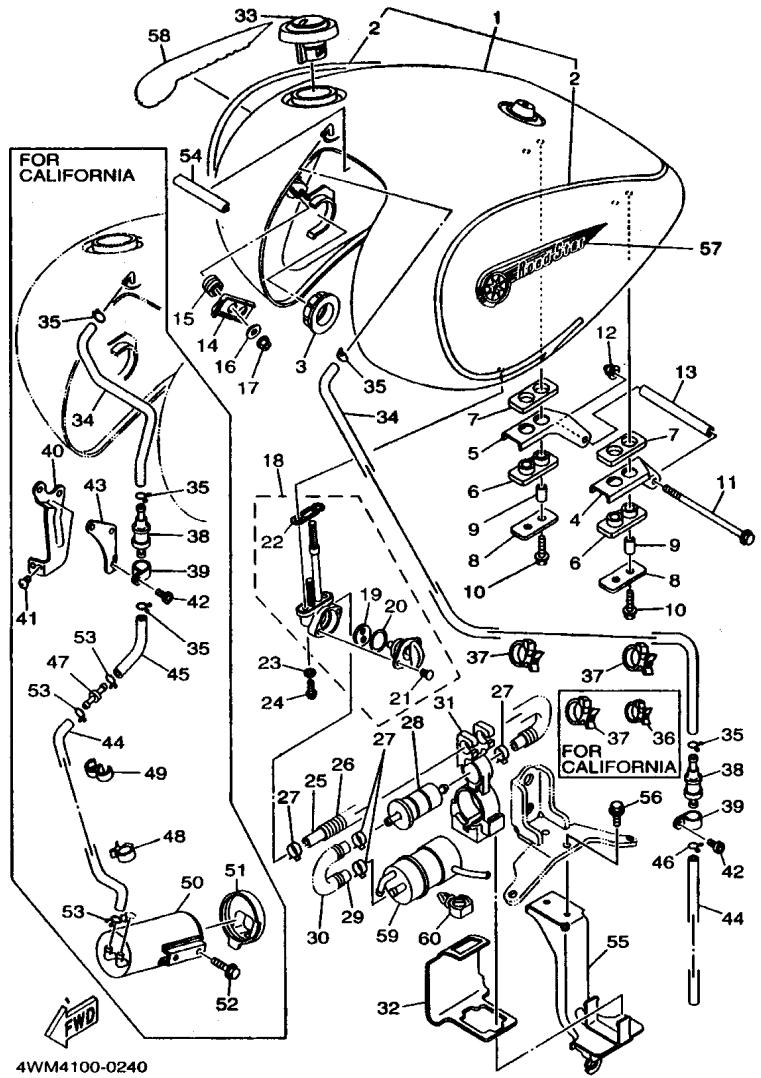


FIG. 23 FRONT FORK

REF. NO.	PART NO.	DESCRIPTION	5GAS	5GAA	5GAB	5GAC	REMARKS
28	4NK-23145-00	.OIL SEAL	1	1	1	1	
29	4NK-23146-00	.WASHER, OIL SEAL	1	1	1	1	
30	4NK-23125-00	.METAL, SLIDE 1	1	1	1	1	
31	4NK-23157-00	.RING, PISTON	1	1	1	1	
32	4NK-23151-00	.SPRING, REBOUND	1	1	1	1	
33	4WM-23171-00	.PISTON, FRONT FORK	1	1	1	1	
34	4NK-23135-00	.METAL, SLIDE 2	1	1	1	1	
35	4WM-23166-00	.SPACER, OIL LOCK	1	1	1	1	
36	3MA-23129-10	.GASKET, DRAIN PLUG	1	1	1	1	
37	4NK-23181-00	.BOLT, HEXAGON SOCKET HEAD	1	1	1	1	
38	4NK-23193-00	.GUIDE, BOOT	1	1	1	1	
39	1KT-23181-00	.BOLT, HEXAGON SOCKET HEAD	1	1	1	1	
40	4NK-23340-00	UNDER BRACKET COMP.	1	1	1	1	
41	38W-23181-00	BOLT, HEXAGON SOCKET HEAD	4	4	4	4	
42	4NK-23181-10	BOLT, HEXAGON SOCKET HEAD	6	6	6	6	
43	4WM-23123-00	COVER, LOWER 1	2	2	2	2	
44	4NK-23121-00	COVER, UPPER 1	2	2	2	2	
45	4NK-23163-00	GASKET	2	2	2	2	
46	4NK-23165-00	WASHER, FELT	2	2	2	2	
47	4WM-25876-00	HOLDER, BRAKE HOSE 2	1	1	1	1	
48	4WM-25887-00	HOLDER, BRAKE HOSE	1	1	1	1	
49	4KM-23123-01	COVER, LOWER 1	1	1	1	1	

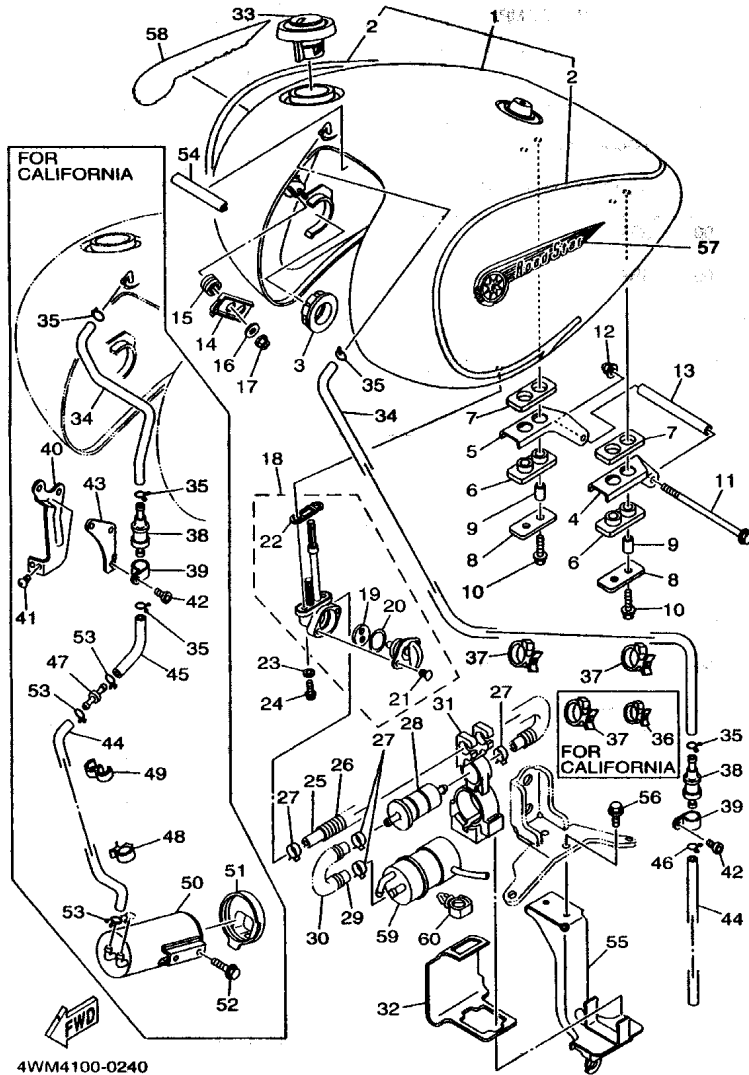


4WM4100-0240

FIG. 24 FUEL TANK

REF. NO.	PART NO.	DESCRIPTION					REMARKS
			5GA9	5GAA	5GAB	5GAC	
1	4WM-Y2410-31-03	FUEL TANK COMP.	1	1	1	1	UR YB
	4WM-Y2410-31-02	FUEL TANK COMP.	1	1	1	1	UR MYMBDB
2	4WM-24240-60	.GRAPHIC SET	1	1	1	1	UR FOR YB
	5JA-24240-10	.GRAPHIC SET	1	1	1	1	UR FOR MYM
3	2YK-24181-10	DAMPER, LOCATING 1	2	2	2	2	
4	4WM-24191-00	BRACKET, FUEL TANK 1	1	1	1	1	
5	4WM-24192-00	BRACKET, FUEL TANK 2	1	1	1	1	
6	2GH-24181-00	DAMPER, LOCATING 1	2	2	2	2	
7	2GH-24183-00	DAMPER, LOCATING 3	2	2	2	2	
8	2GH-24186-00	WASHER, SPECIAL	2	2	2	2	
9	90387-06299	COLLAR	4	4	4	4	
10	95807-06025	BOLT, FLANGE	4	4	4	4	
11	95827-06130	BOLT, FLANGE	1	1	1	1	
12	90176-06055	NUT, CROWN	1	1	1	1	
13	90387-0615R	COLLAR	1	1	1	1	
14	4WM-24291-00	BRACKET, FUEL TANK 1	2	2	2	2	
15	4WM-24339-00	GROMMET	4	4	4	4	
16	90387-050T5	COLLAR	4	4	4	4	
17	95707-05500	NUT, FLANGE	4	4	4	4	
18	4WM-24500-00	FUEL COCK ASSY 1	1	1	1	1	
19	3AJ-24523-00	.VALVE PACKING	1	1	1	1	
20	3AJ-24534-00	.SEAL, COCK	1	1	1	1	
21	97801-03008	.SCREW, PAN HEAD	2	2	2	2	
22	4X8-24512-00	.O-RING	1	1	1	1	
23	90202-05193	WASHER, PLATE	2	2	2	2	
24	90149-06011	SCREW	2	2	2	2	
25	4WM-24311-00	PIPE, FUEL 1	1	1	1	1	

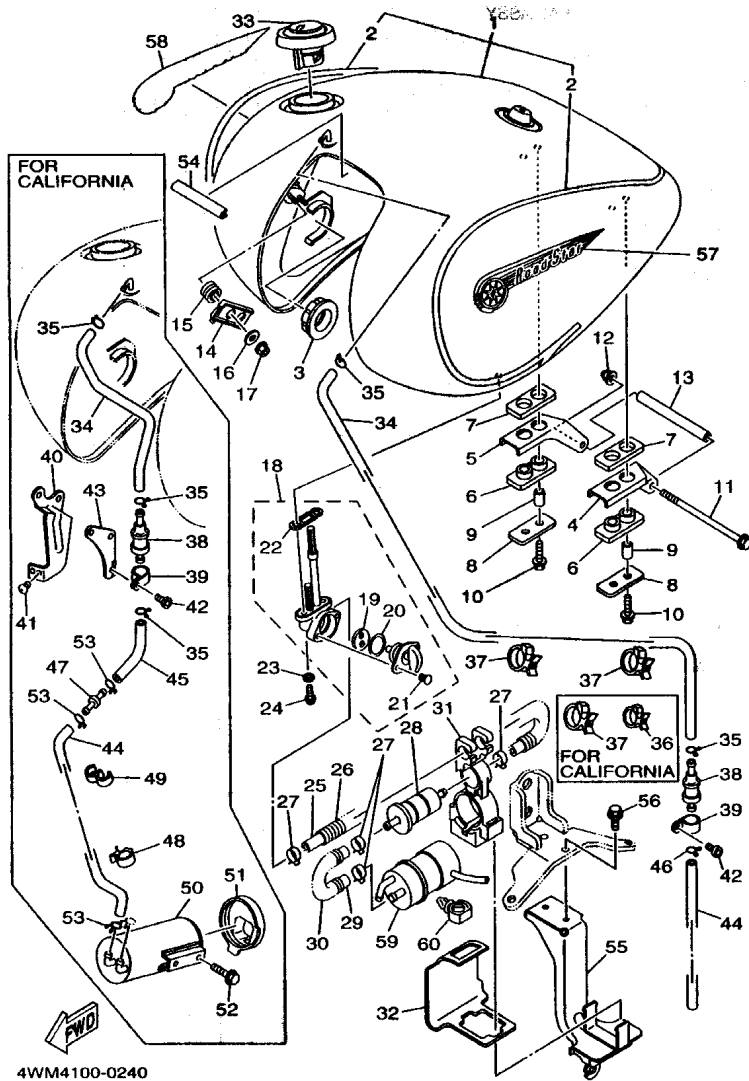
FIG. 24 FUEL TANK



4WM4100-0240

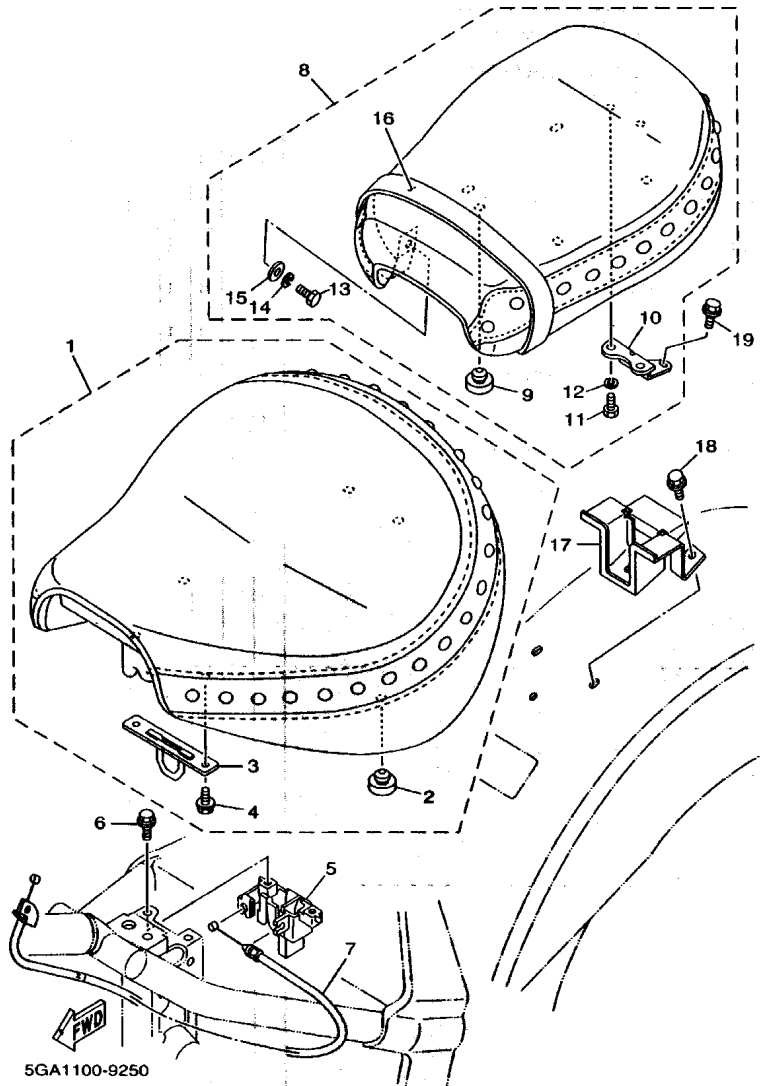
REF. NO.	PART NO.	DESCRIPTION	5G9	5GAA	5GAB	5GAC	REMARKS
26	4WM-24393-00	SPRING	1	1	1	1	
27	90467-13083	CLIP	4	4	4	4	
28	1FK-24560-00	FILTER ASSY	1	1	1	1	
29	4WM-24312-00	PIPE 2	1	1	1	1	
30	4WM-24394-00	SPRING	1	1	1	1	
31	4WM-24398-00	BAND 1	1	1	1	1	
32	4WM-24217-00	COVER	1	1	1	1	
33	4NK-24602-10	CAP ASSY	1	1	1	1	
34	4WM-24321-00	PIPE 10	1	1	1	1	
	4WM-24321-10	PIPE 10		1			
35	90467-10041	CLIP	2	3	2	2	
36	90464-15192	CLAMP		1			
37	90464-25217	CLAMP	2	1	2	2	
38	4WM-24180-00	ROLL OVER VALVE ASSY	1	1	1	1	
39	90461-15100	CLAMP	1	1	1	1	
40	4WM-2148X-00	BRACKET 4		1			
41	98507-05008	SCREW, PAN HEAD		2			
42	98907-05012	SCREW, BIND	1	1	1	1	
43	4WM-24662-00	STAY		1			
44	90445-112K5	HOSE (L355)	1	1	1	1	
	4WM-24322-00	PIPE 11		1			
45	4WM-24323-00	PIPE 12		1			
46	90467-10041	CLIP	1	1	1	1	
47	4XY-14568-00	JOINT		1			
48	90464-15192	CLAMP		1			
49	90464-10075	CLAMP		1			
50	4WM-24170-00	CANISTER ASSY		1			

FIG. 24 FUEL TANK



4WM4100-0240

REF. NO.	PART NO.	DESCRIPTION					REMARKS
			5GAB	5GAA	5GAB	5GAC	
51	4WM-2419E-00	COVER, CANISTER		1			
52	90105-06009	BOLT, WASHER BASED		2			
53	90467-10041	CLIP		3			
54	4GY-24188-00	MOLD, FUEL TANK	1	1	1	1	
55	4WM-24491-01	BRACKET, FUEL PUMP	1	1	1	1	
56	95807-06016	BOLT, FLANGE	2	2	2	2	
57	4WM-2416B-00	EMBLEM	1	1	1	1	
58	4WM-2417B-00	EMBLEM	1	1	1	1	
59	4WM-13907-00	FUEL PUMP COMP.	1	1	1	1	
60	90464-13249	CLAMP	1	1	1	1	



5GA1100-9250

FIG. 25 SEAT

REF. NO.	PART NO.	DESCRIPTION	5GA9	5GAA	5GAB	5GAC	REMARKS
1	5GA-24710-00	SINGLE SEAT ASSY	1	1	1	1	
2	22W-24741-00	.PAD, SEAT	5	5	5	5	
3	4WM-24728-00	.BRACKET, SEAT	1	1	1	1	
4	95807-06012	.BOLT, FLANGE	2	2	2	2	
5	4JP-24780-03	SEAT LOCK ASSY	1	1	1	1	
6	95807-06016	BOLT, FLANGE	2	2	2	2	
7	4WM-2478E-00	CABLE, SEAT LOCK	1	1	1	1	
8	5GA-24750-00	TANDEM SEAT ASSY	1	1	1	1	
9	22W-24741-00	.PAD, SEAT	5	5	5	5	
10	4NK-2471A-00	.STAY, SEAT	1	1	1	1	
11	97007-06016	.BOLT	2	2	2	2	
12	92907-06100	.WASHER, SPRING	2	2	2	2	
13	97007-06020	.BOLT	2	2	2	2	
14	92907-06100	.WASHER, SPRING	2	2	2	2	
15	90201-06380	.WASHER, PLATE	2	2	2	2	
16	4WM-24734-00	.BAND, SEAT	1	1	1	1	
17	4WM-2475H-00	BRACKET, SEAT LEVER 1	1	1	1	1	
18	95827-06012	BOLT, FLANGE	3	3	3	3	
19	95024-08012	BOLT, FLANGE	1	1	1	1	

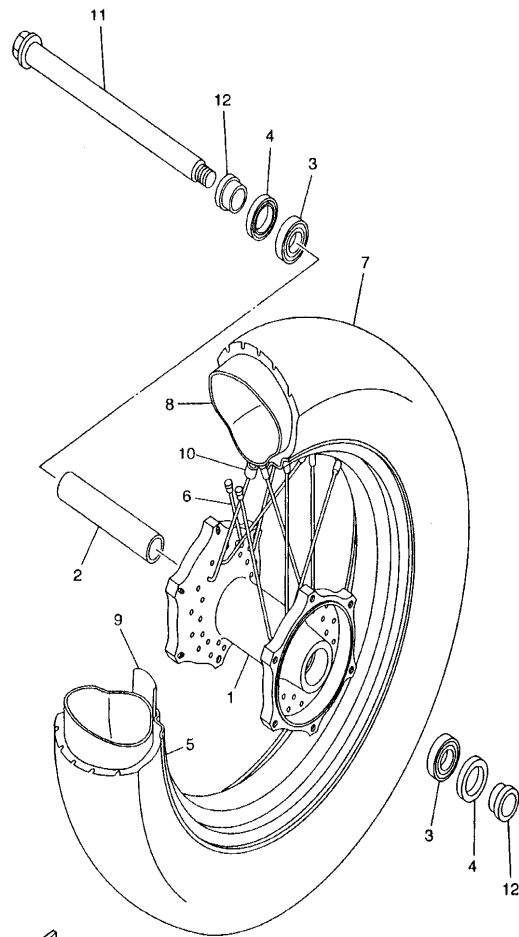
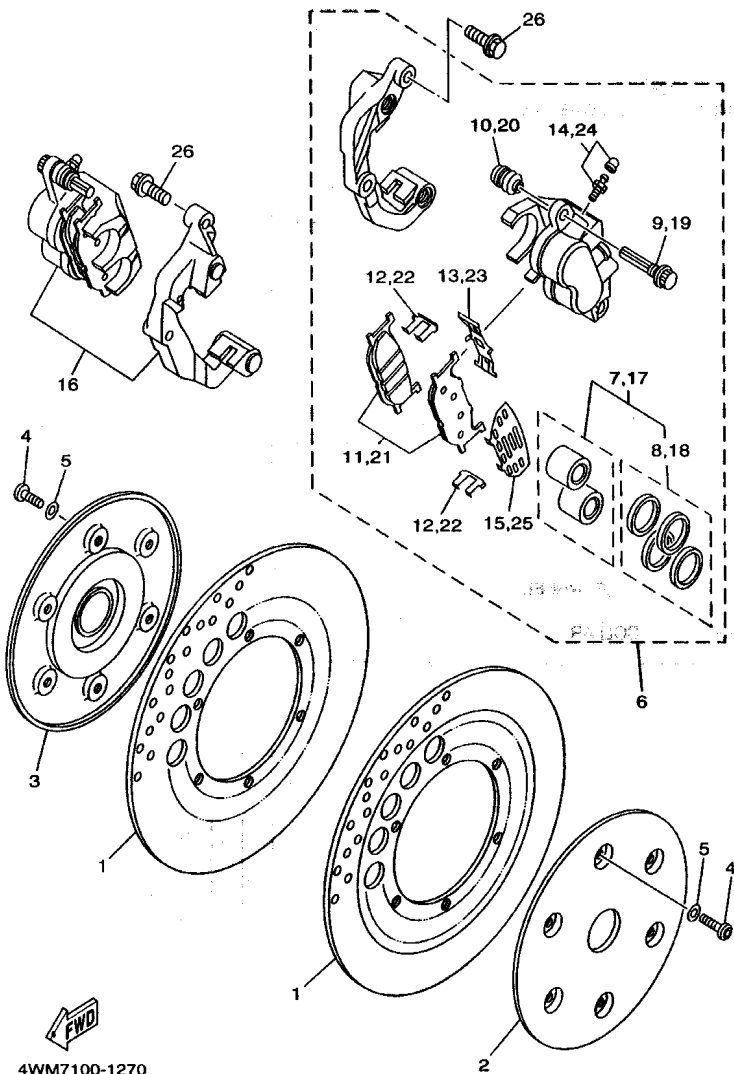


FIG. 26 FRONT WHEEL

REF. NO.	PART NO.	DESCRIPTION	SGAB	SGAA	SGAB	SGAC	REMARKS
1	4WM-25111-00	HUB, FRONT	1	1	1	1	
2	90387-2208J	COLLAR	1	1	1	1	
3	93306-00420	BEARING (B6004)	2	2	2	2	
4	93106-28043	OIL SEAL	2	2	2	2	
5	94430-16608	RIM	1	1	1	1	
6	4WM-25104-01	SPOKE SET, FRONT	1	1	1	1	
7	94113-1614H	TIRE (130/90-16 67H G703)	1	1	1	1	UR BRIDGESTONE
	94113-1614F	TIRE (130/90-16 67H D404F)	1	1	1	1	UR DUNLOP
8	94213-16306	TUBE(130/90-16 TR4)	1	1	1	1	UR BRIDGESTONE
	94213-16305	TUBE(130/90-16 TR4)	1	1	1	1	UR DUNLOP
9	94330-16176	BAND, RIM (3.00-16)	1	1	1	1	UR BRIDGESTONE
	94313-16179	BAND, RIM (130/90-16 W)	1	1	1	1	UR DUNLOP
10	5V4-25398-00	BALANCER, WHEEL	1	1	1	1	UN
11	4NK-25181-00	AXLE, WHEEL	1	1	1	1	
12	90387-2200T	COLLAR	2	2	2	2	

FIG. 27 FRONT BRAKE CALIPER



REF. NO.	PART NO.	DESCRIPTION	5GAB	5GAA	5GAB	5GAC	REMARKS
1	3JB-2582U-01	DISC, BRAKE (RIGHT)	2	2	2	2	
2	4NK-2514A-00	RING, WHEEL 1 (LEFT)	1	1	1	1	
3	4WM-2515A-00	RING, WHEEL 2 (RIGHT)	1	1	1	1	
4	90109-08006	BOLT	12	12	12	12	
5	90201-08014	WASHER, PLATE	12	12	12	12	
6	4WM-2580T-00	CALIPER ASSY (LEFT)	1	1	1	1	
7	3JB-W0057-00	.PISTON ASSY, CALIPER	1	1	1	1	
8	3JB-W0047-00	.CALIPER SEAL KIT	1	1	1	1	
9	4TT-25914-00	.PIN, SLIDE	1	1	1	1	
10	4TT-25937-00	.BOOT 2	1	1	1	1	
11	4WM-W0045-00	.BRAKE PAD KIT	1	1	1	1	
12	4BP-25919-00	.SUPPORT, PAD	2	2	2	2	
13	3YX-25929-00	.SPRING, ANTI RATTLE	1	1	1	1	
14	51L-W0048-00	.BLEED SCREW KIT	1	1	1	1	
15	5BN-25827-00	.SHIM, CALIPER	1	1	1	1	
16	4WM-2580U-00	CALIPER ASSY (RIGHT)	1	1	1	1	
17	3JB-W0057-00	.PISTON ASSY, CALIPER	1	1	1	1	
18	3JB-W0047-00	.CALIPER SEAL KIT	1	1	1	1	
19	4TT-25914-00	PIN, SLIDE	1	1	1	1	
20	4TT-25937-00	.BOOT 2	1	1	1	1	
21	4WM-W0045-00	.BRAKE PAD KIT	1	1	1	1	
22	4BP-25919-00	.SUPPORT, PAD	2	2	2	2	
23	3YX-25929-00	.SPRING, ANTI RATTLE	1	1	1	1	
24	51L-W0048-00	.BLEED SCREW KIT	1	1	1	1	
25	5BN-25827-00	.SHIM, CALIPER	1	1	1	1	
26	90105-10638	BOLT, WASHER BASED	4	4	4	4	



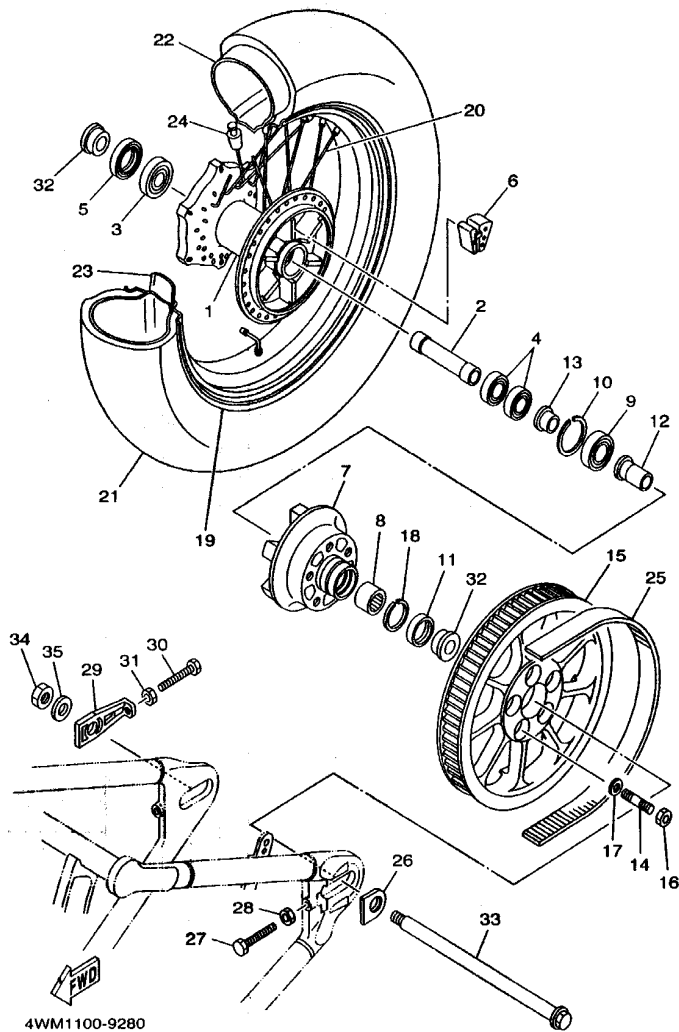
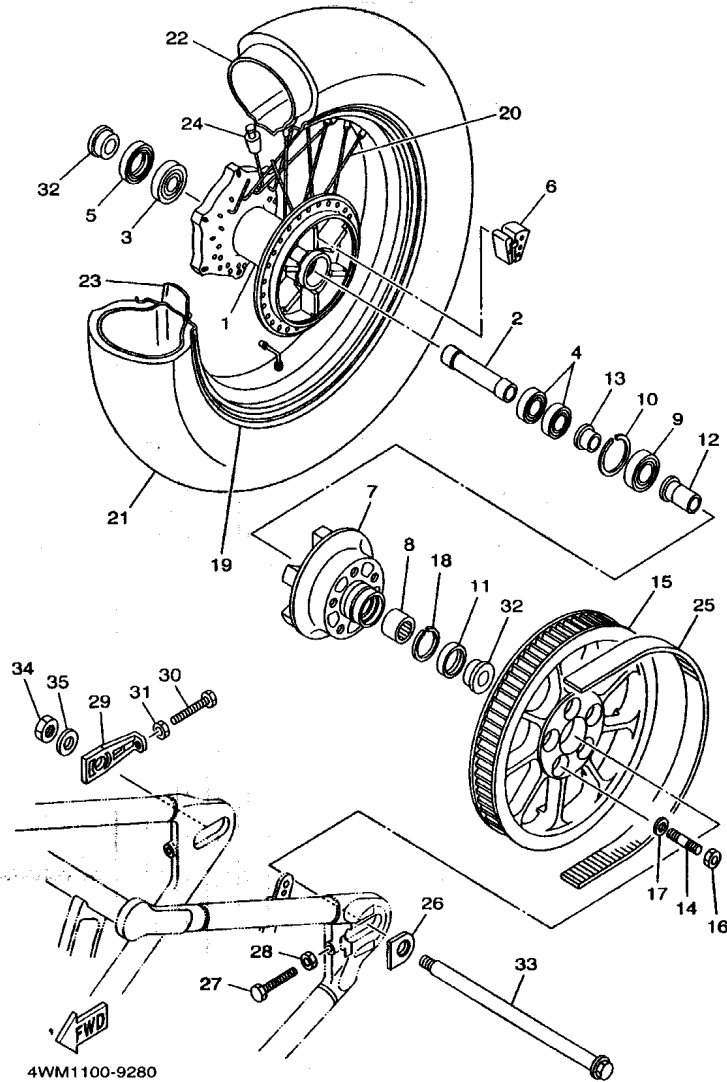


FIG. 28 REAR WHEEL

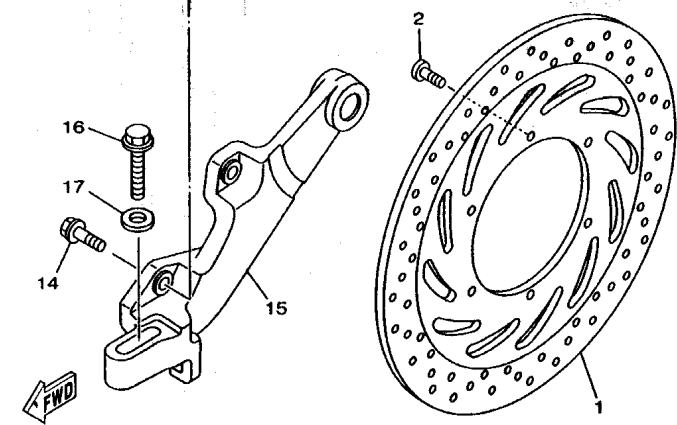
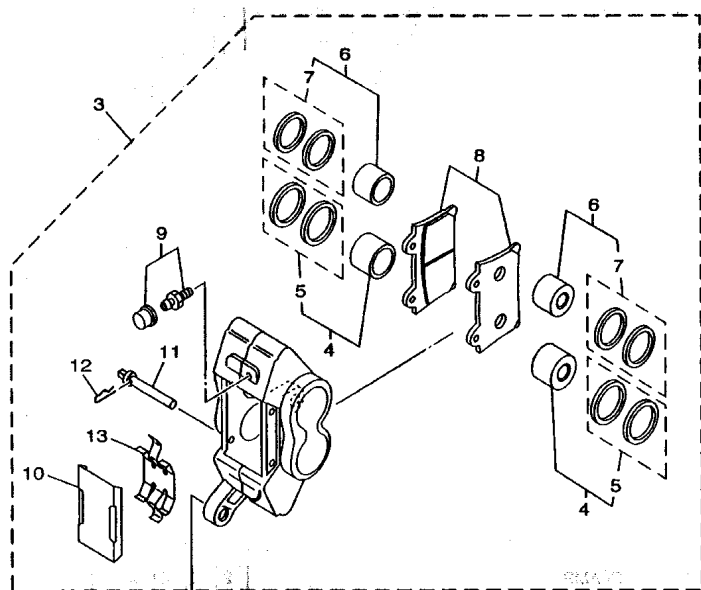
REF. NO.	PART NO.	DESCRIPTION	5GA9	5GAA	5GAB	5GAC	REMARKS
1	4WM-25311-00	HUB, REAR	1	1	1	1	
2	90560-20339	SPACER	1	1	1	1	
3	93306-30416	BEARING (B6304RS)	1	1	1	1	
4	93306-00416	BEARING (B6004RS)	2	2	2	2	
5	93106-30029	OIL SEAL	1	1	1	1	
6	4WM-25364-00	DAMPER	6	6	6	6	
7	4WM-25366-00	CLUTCH, HUB	1	1	1	1	
8	93317-32677	BEARING	1	1	1	1	
9	93306-20551	BEARING	1	1	1	1	
10	99009-52500	CIRCLIP	1	1	1	1	
11	93106-30004	OIL SEAL	1	1	1	1	
12	4WM-25376-00	COLLAR, WHEEL	1	1	1	1	
13	4WM-25377-00	COLLAR, WHEEL	1	1	1	1	
14	95617-12630	BOLT, STUD	5	5	5	5	
15	4WM-25470-00	SPROCKET, DRIVEN (70T)	1	1	1	1	
16	95614-12100	NUT, U	5	5	5	5	
17	90201-120E8	WASHER, PLATE	5	5	5	5	
18	93450-35015	CIRCLIP	1	1	1	1	
19	94435-16609	RIM	1	1	1	1	
20	4WM-25304-01	SPOKE SET, REAR	1	1	1	1	
21	94115-1614J	TIRE (150/80-16 71H G702)	1	1	1	1	UR BRIDGESTONE
	94115-1614G	TIRE (150/80-16 71H D404)	1	1	1	1	UR DUNLOP
22	94215-16311	TUBE (130/90-16 PV78N)	1	1	1	1	UR BRIDGESTONE
	94215-16310	TUBE (130/90-16 PV78N)	1	1	1	1	UR DUNLOP
23	94315-16178	BAND, RIM (3.50-16)	1	1	1	1	UR BRIDGESTONE
	94315-16177	BAND, RIM (150/80-16)	1	1	1	1	UR DUNLOP
24	5V4-25398-00	BALANCER, WHEEL	1	1	1	1	UN

FIG. 28 REAR WHEEL



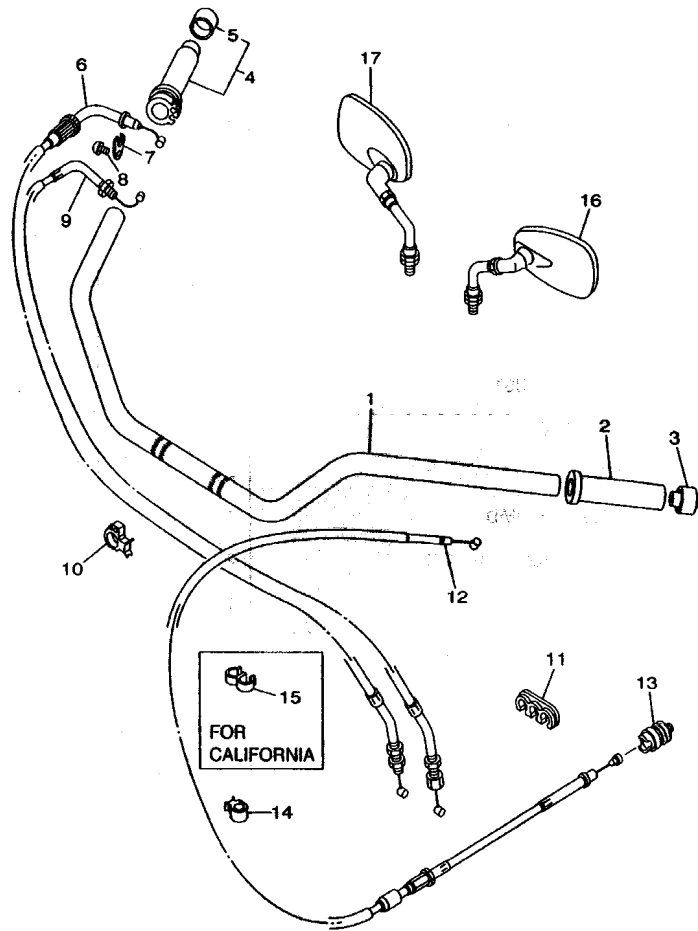
REF. NO.	PART NO.	DESCRIPTION	5GAB	5GAA	5GAB	5GAC	REMARKS
25	4WM-46241-00	V-BELT	1	1	1	1	
26	4WM-25388-00	PULLER, CHAIN 1	1	1	1	1	
27	90101-10001	BOLT	1	1	1	1	
28	90170-10003	NUT	1	1	1	1	
29	4WM-25389-00	PULLER, CHAIN 2	1	1	1	1	
30	90101-10001	BOLT	1	1	1	1	
31	90170-10003	NUT	1	1	1	1	
32	90387-202X9	COLLAR	2	2	2	2	
33	4WM-25381-00	AXLE, WHEEL	1	1	1	1	
34	90185-18167	NUT, SELF-LOCKING	1	1	1	1	
35	90201-185R7	WASHER, PLATE	1	1	1	1	

FIG. 29 REAR BRAKE CALIPER



4WM1100-9290

REF. NO.	PART NO.	DESCRIPTION	5GA9	5GAA	5GAB	5GAC	REMARKS
1	4WM-2582W-00	DISC, REAR BRAKE 2	1	1	1	1	
2	90109-083G4	BOLT	6	6	6	6	
3	4WM-2580W-00	CALIPER ASSY, REAR 2	1	1	1	1	
4	1KT-W0057-00	.PISTON ASSY, CALIPER	1	1	1	1	
5	1KT-W0047-00	.CALIPER SEAL KIT	1	1	1	1	
6	4NK-W0057-00	.PISTON ASSY, CALIPER	1	1	1	1	
7	4NK-W0047-00	.CALIPER SEAL KIT	1	1	1	1	
8	4WM-W0046-00	.BRAKE PAD KIT 2	1	1	1	1	
9	1J3-W0048-00	.BLEED SCREW KIT	1	1	1	1	
10	1NL-25836-00	.COVER, DUST	1	1	1	1	
11	3HE-25924-00	.PIN, PAD	2	2	2	2	
12	3GM-25925-00	.CLIP	2	2	2	2	
13	1NL-25919-00	.SUPPORT, PAD	1	1	1	1	
14	90105-10638	BOLT, WASHER BASED	2	2	2	2	
15	4WM-25819-00	BRACKET, CALIPER	1	1	1	1	
16	95827-10050	BOLT, FLANGE	1	1	1	1	
17	90201-10140	WASHER, PLATE	1	1	1	1	



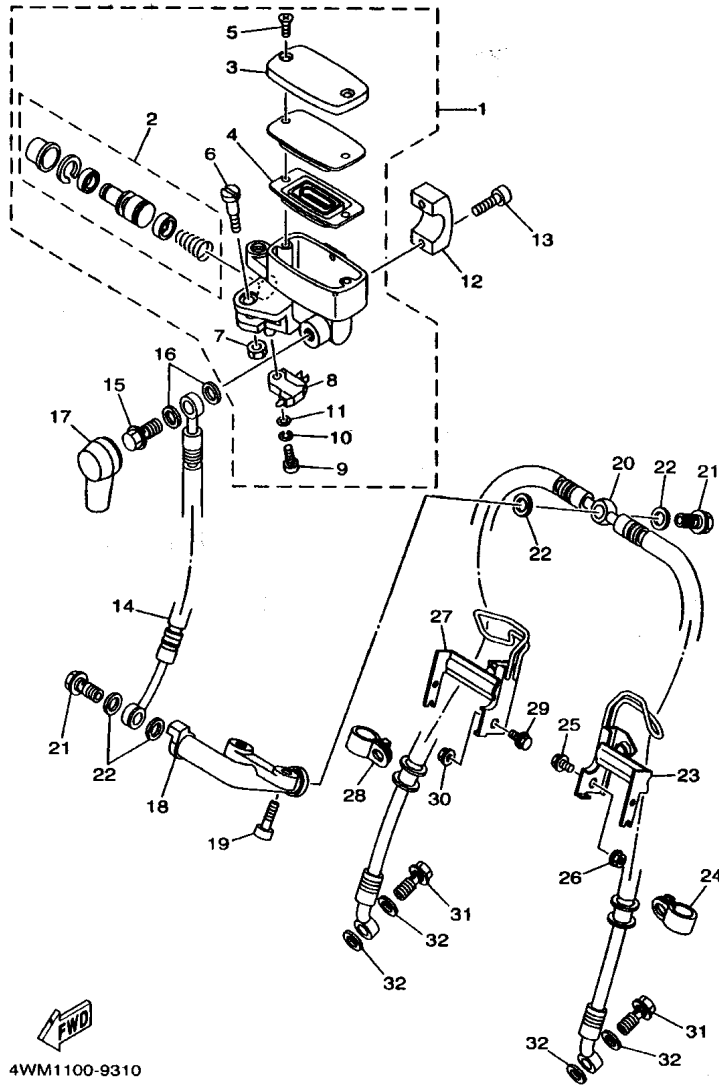
  
 4WM1100-9300

FIG. 30 STEERING HANDLE. CABLE

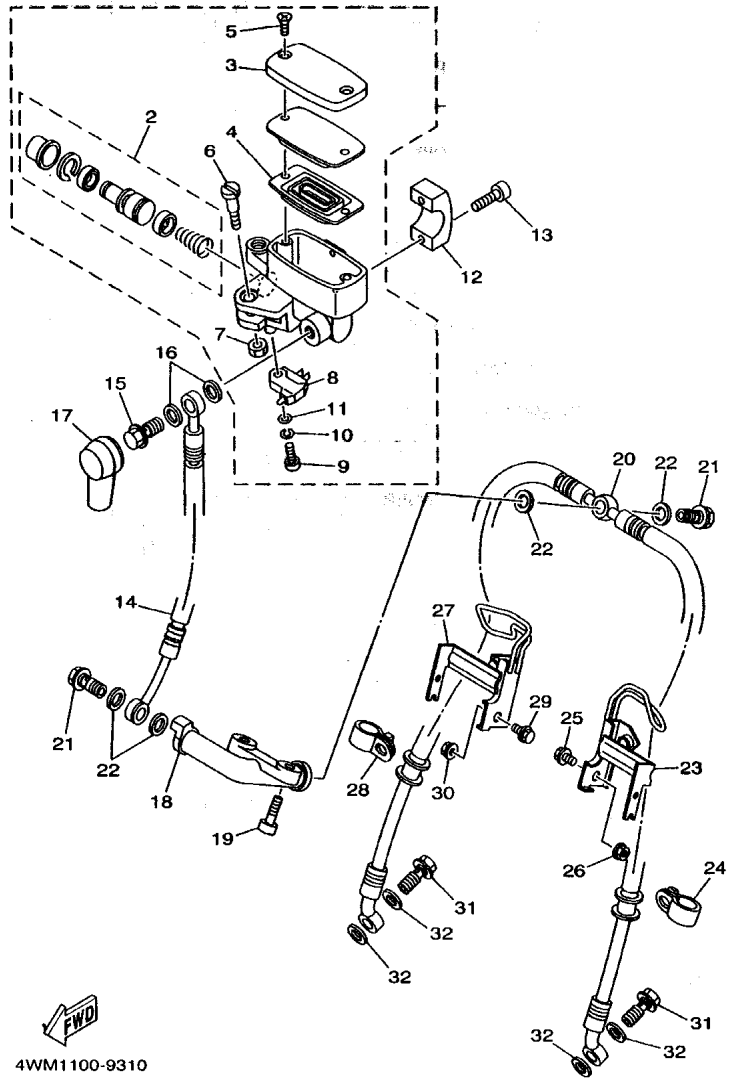
REF. NO.	PART NO.	DESCRIPTION					REMARKS
			5GA9	5GAA	5GAB	5GAC	
1	5GA-26111-00	HANDLEBAR	1	1	1	1	
2	4NK-26241-00	GRIP (LEFT)	1	1	1	1	
3	4NK-2628J-00	CAP, GRIP	1	1	1	1	
4	4NK-26240-00	GRIP ASSY	1	1	1	1	
5	4NK-2635J-00	.CAP 2	1	1	1	1	
6	4WM-26311-01	CABLE, THROTTLE 1	1	1	1	1	
7	5H0-26393-00	HOLDER	1	1	1	1	
8	98507-05008	SCREW, PAN HEAD	1	1	1	1	
9	4WM-26312-00	CABLE, THROTTLE 2	1	1	1	1	
10	90464-25217	CLAMP	1	1	1	1	
11	90468-07179	CLIP	1	1	1	1	
12	4WM-26335-00	CABLE, CLUTCH	1	1	1	1	
13	1E6-26342-00	BOOT, CABLE	1	1	1	1	
14	90464-10190	CLAMP	2	2	2	2	
15	90464-10075	CLAMP		2			
16	4NK-26280-00	REAR VIEW MIRROR ASSY (LEFT)	1	1	1	1	
17	4NK-26290-00	REAR VIEW MIRROR ASSY (RIGHT)	1	1	1	1	

**E7**

FIG. 31 FRONT MASTER CYLINDER



REF. NO.	PART NO.	DESCRIPTION	5GA9	5GAA	5GAB	5GAC	REMARKS
1	4NK-25870-00	MASTER CYLINDER SUB ASSY	1	1	1	1	
2	4K0-W0041-50	.CYLINDER KIT, MASTER	1	1	1	1	
3	4NK-W2585-00	.RESERVOIR CAP SET	1	1	1	1	
4	4NK-25854-00	.DIAPHRAGM, RESERVOIR	1	1	1	1	
5	4NK-2589H-00	.SCREW	2	2	2	2	
6	4NK-2589F-00	.BOLT, LEVER	1	1	1	1	
7	95604-06100	.NUT, U	1	1	1	1	
8	3FV-83980-00	.FRONT STOP SWITCH ASSY	1	1	1	1	
9	98507-04012	.SCREW, PAN HEAD	1	1	1	1	
10	92907-04100	.WASHER, SPRING	1	1	1	1	
11	92907-04600	.WASHER	1	1	1	1	
12	4NK-25867-00	BRACKET, MASTER CYLINDER	1	1	1	1	
13	91314-06025	BOLT	2	2	2	2	
14	4WM-25872-00	HOSE, BRAKE 1	1	1	1	1	
15	90401-10159	BOLT, UNION	1	1	1	1	
16	90201-10118	WASHER, PLATE	2	2	2	2	
17	4L0-25862-01	BOOT, MASTER CYLINDER	1	1	1	1	
18	4NK-25885-00	JOINT	1	1	1	1	
19	91317-06020	BOLT	2	2	2	2	
20	4WM-25873-00	HOSE, BRAKE 2	1	1	1	1	
21	90401-10159	BOLT, UNION	2	2	2	2	
22	90201-10118	WASHER, PLATE	4	4	4	4	
23	4WM-25875-00	HOLDER, BRAKE HOSE 1	1	1	1	1	
24	90461-10132	CLAMP	1	1	1	1	
25	90105-06007	BOLT, WASHER BASED	1	1	1	1	
26	95707-08500	NUT, FLANGE	1	1	1	1	
27	4WM-25886-00	HOLDER, BRAKE HOSE	1	1	1	1	



4WM1100-9310

FIG. 31 FRONT MASTER CYLINDER

REF. NO.	PART NO.	DESCRIPTION	5GAB	5GAA	5GAB	5GAC	REMARKS
28	90461-10132	CLAMP	1	1	1	1	
29	90105-06007	BOLT, WASHER BASED	1	1	1	1	
30	95707-08500	NUT, FLANGE	1	1	1	1	
31	90401-10159	BOLT, UNION	2	2	2	2	
32	90201-10118	WASHER, PLATE	4	4	4	4	

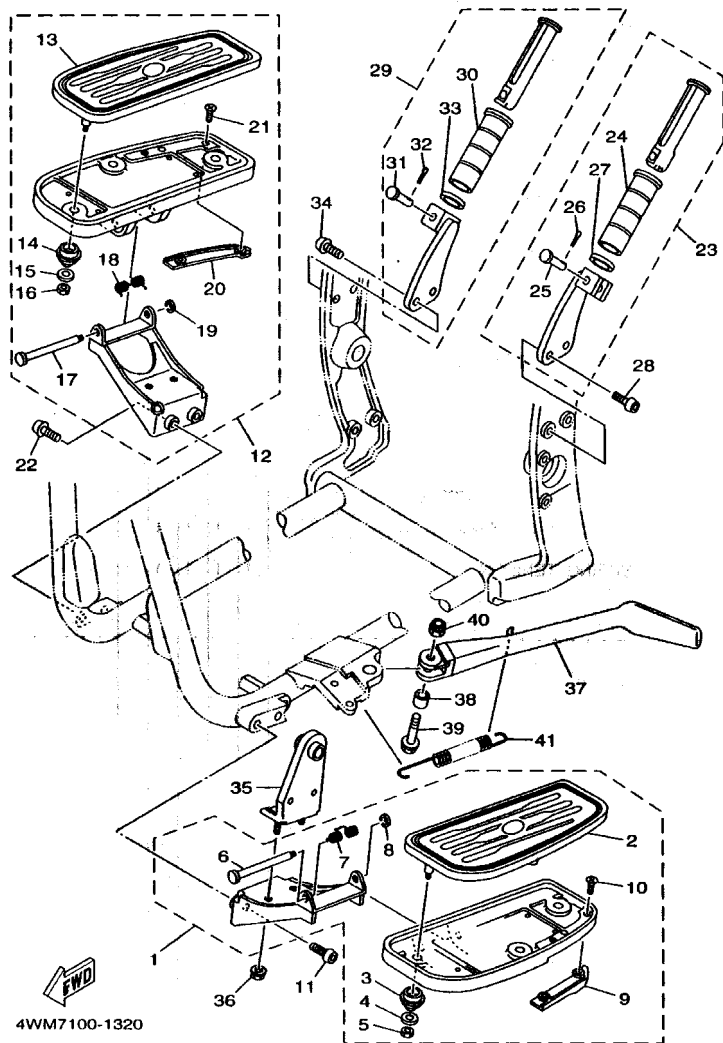


FIG. 32 STAND. FOOTREST

REF. NO.	PART NO.	DESCRIPTION	5GAG	5GAA	5GAB	5GAC	REMARKS
1	4WM-27410-10	FRONT FOOTREST ASSY (LEFT)	1	1	1	1	
2	4WM-27413-00	.COVER, FOOTREST	1	1	1	1	
3	4WM-27414-00	.DAMPER, FOOTREST	1	1	1	1	
4	90201-05033	.WASHER, PLATE	1	1	1	1	
5	95607-05100	.NUT, U	1	1	1	1	
6	4NK-27427-00	.SHAFT	1	1	1	1	
7	4NK-27426-00	.SPRING, RETURN	1	1	1	1	
8	99001-06600	.CIRCLIP	1	1	1	1	
9	4WM-27496-00	.MOLE 1	1	1	1	1	
10	90152-05008	.SCREW, COUNTERSUNK	2	2	2	2	
11	92017-10030	BOLT, BUTTON HEAD	2	2	2	2	
12	4WM-27420-10	FRONT FOOTREST ASSY (RIGHT)	1	1	1	1	
13	4WM-27423-00	.COVER, FOOTREST	1	1	1	1	
14	4WM-27414-00	.DAMPER, FOOTREST	1	1	1	1	
15	90201-05033	.WASHER, PLATE	1	1	1	1	
16	95607-05100	.NUT, U	1	1	1	1	
17	4NK-27427-00	.SHAFT	1	1	1	1	
18	4NK-27426-00	.SPRING, RETURN	1	1	1	1	
19	99001-06600	.CIRCLIP	1	1	1	1	
20	4WM-27497-00	.MOLE 2	1	1	1	1	
21	90152-05008	.SCREW, COUNTERSUNK	2	2	2	2	
22	92017-10030	BOLT, BUTTON HEAD	2	2	2	2	
23	4WM-27430-10	REAR FOOTREST ASSY 1	1	1	1	1	
24	4WM-27433-00	.COVER, REAR FOOTREST	1	1	1	1	
25	90240-06146	.PIN, CLEVIS	1	1	1	1	
26	91401-20015	.PIN, COTTER	1	1	1	1	
27	90201-210U0	.WASHER, PLATE	1	1	1	1	

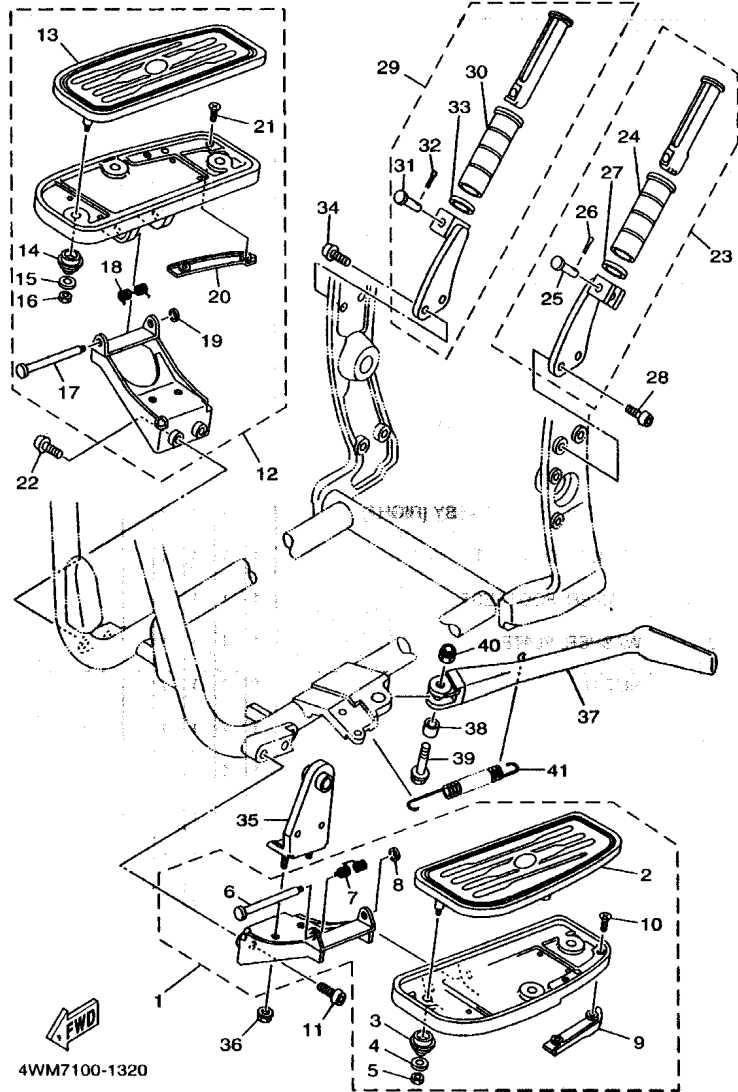


FIG. 32 STAND. FOOTREST

REF. NO.	PART NO.	DESCRIPTION	5GA9	5GAA	5GAB	5GAC	REMARKS
28	90111-08002	BOLT	2	2	2	2	
29	4WM-27440-10	REAR FOOTREST ASSY 2	1	1	1	1	
30	4WM-27433-00	.COVER, REAR FOOTREST	1	1	1	1	
31	90240-06146	.PIN, CLEVIS	1	1	1	1	
32	91401-20015	.PIN, COTTER	1	1	1	1	
33	90201-210U0	.WASHER, PLATE	1	1	1	1	
34	90111-08002	BOLT	2	2	2	2	
35	4WM-27443-00	BRACKET 3	1	1	1	1	
36	95607-08200	NUT, SELF-LOCKING	2	2	2	2	
37	4WM-27311-00	STAND, SIDE	1	1	1	1	
38	90387-1007K	COLLAR	1	1	1	1	
39	90105-10778	BOLT, WASHER BASED	1	1	1	1	
40	90185-10037	NUT, SELF-LOCKING	1	1	1	1	
41	90506-29358	SPRING, TENSION	1	1	1	1	



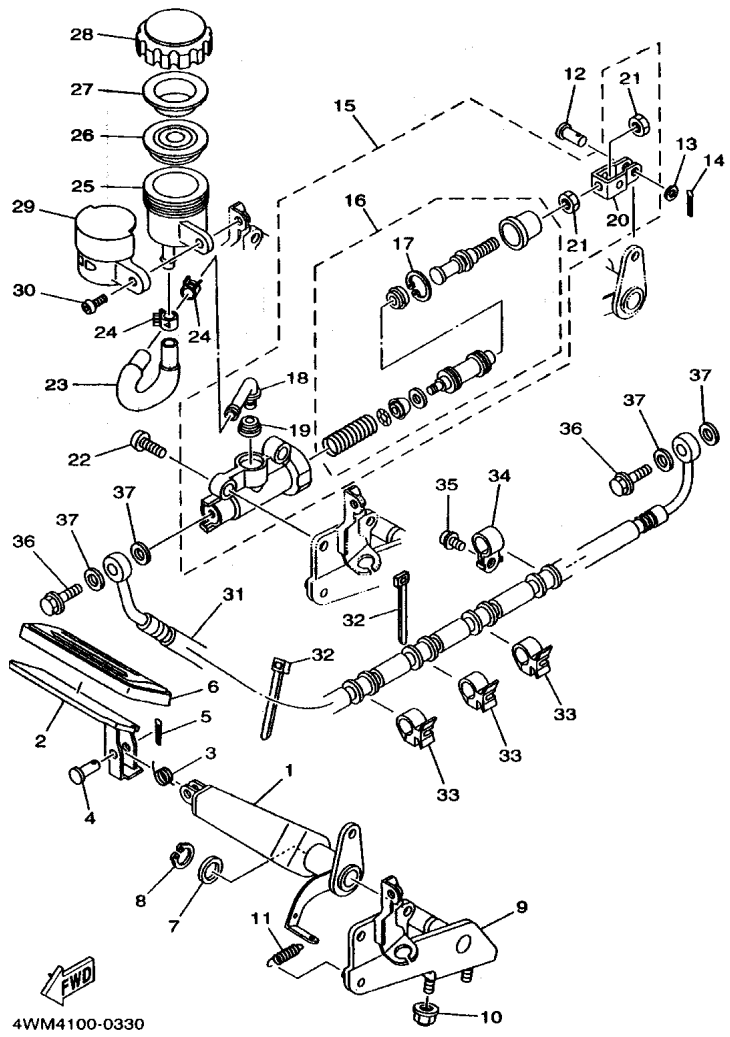


FIG. 33 REAR MASTER CYLINDER

REF. NO.	PART NO.	DESCRIPTION	SGA9	SGAA	SGAB	SGAC	REMARKS
1	4WM-27211-00	PEDAL, BRAKE	1	1	1	1	
2	4WM-27242-00	PEDAL, BRAKE	1	1	1	1	
3	90508-186B1	SPRING, TORSION	1	1	1	1	
4	91701-06022	PIN, CLEVIS	1	1	1	1	
5	91401-20012	PIN, COTTER	1	1	1	1	
6	4WM-27285-00	CAP	1	1	1	1	
7	90201-152L1	WASHER, PLATE	1	1	1	1	
8	99009-15400	CIRCLIP	1	1	1	1	
9	4WM-2741L-00	BRACKET 4	1	1	1	1	
10	95607-08200	NUT, SELF-LOCKING	2	2	2	2	
11	90506-20534	SPRING, TENSION	1	1	1	1	
12	90240-08013	PIN, CLEVIS	1	1	1	1	
13	90201-08083	WASHER, PLATE	1	1	1	1	
14	91401-16012	PIN, COTTER	1	1	1	1	
15	4BP-2583V-00	RR. MASTER CYLINDER ASSY.	1	1	1	1	
16	4BP-W0042-50	CYLINDER KIT, MASTER	1	1	1	1	
17	3LN-2585G-00	CIRCLIP	1	1	1	1	
18	4BP-2582A-00	JOINT	1	1	1	1	
19	4BP-2585F-00	BUSH	1	1	1	1	
20	4BP-27222-00	JOINT	1	1	1	1	
21	95307-08700	NUT	2	2	2	2	
22	92014-08025	BOLT, BUTTON HEAD	2	2	2	2	
23	4WM-25895-00	HOSE, RESERVOIR	1	1	1	1	
24	90467-14057	CLIP	2	2	2	2	
25	31A-25894-01	TANK, RESERVOIR	1	1	1	1	
26	360-25854-01	DIAPHRAGM, RESERVOIR	1	1	1	1	
27	2GU-25855-00	BUSH, DIAPHRAGM	1	1	1	1	

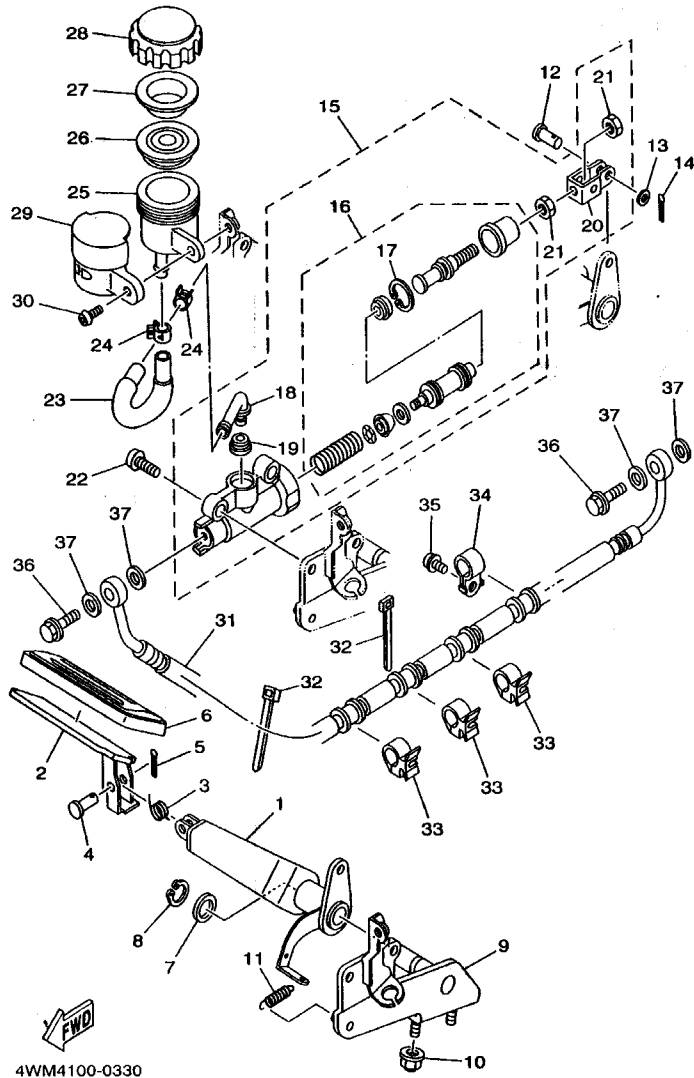
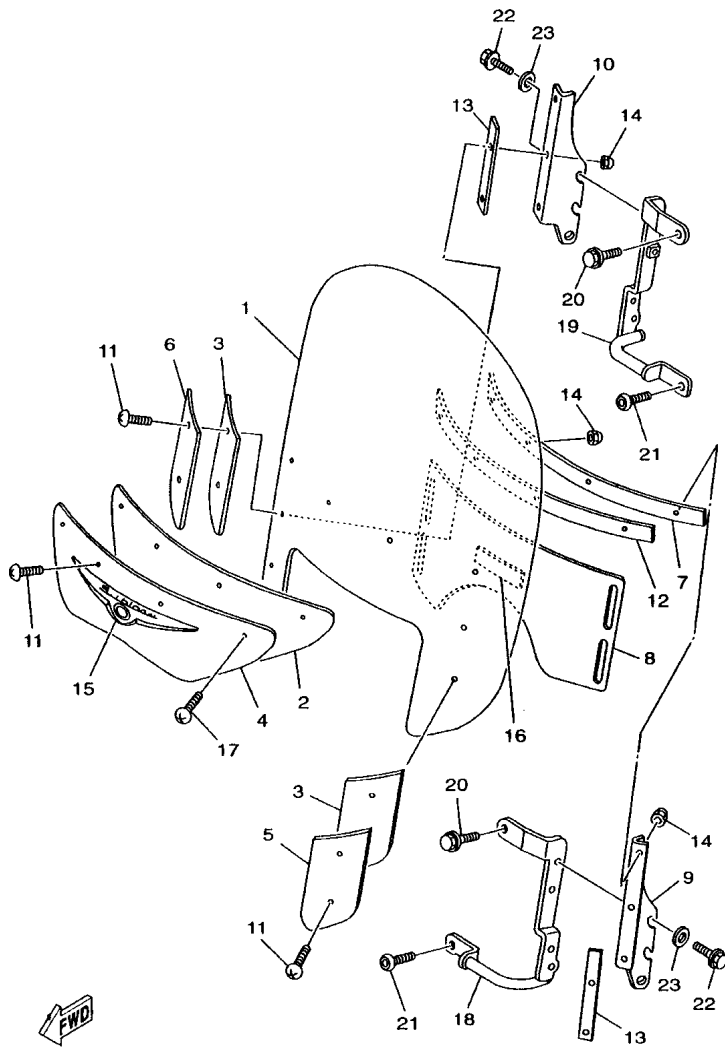


FIG. 33 REAR MASTER CYLINDER

REF. NO.	PART NO.	DESCRIPTION	5GAB	5GAA	5GAB	5GAC	REMARKS
			1	1	1	1	
28	2KF-25852-50	CAP, RESERVOIR	1	1	1	1	
29	4NK-25888-00	COVER, RESERVOIR TANK	1	1	1	1	
30	90111-06007	BOLT	1	1	1	1	
31	4WM-2581J-00	HOSE, BRAKE 4	1	1	1	1	
32	1UA-82591-00	BAND	2	2	2	2	
33	90464-15192	CLAMP	3	3	3	3	
34	90461-10132	CLAMP	1	1	1	1	
35	95807-06012	BOLT, FLANGE	1	1	1	1	
36	90401-10159	BOLT, UNION	2	2	2	2	
37	90201-10118	WASHER, PLATE	4	4	4	4	

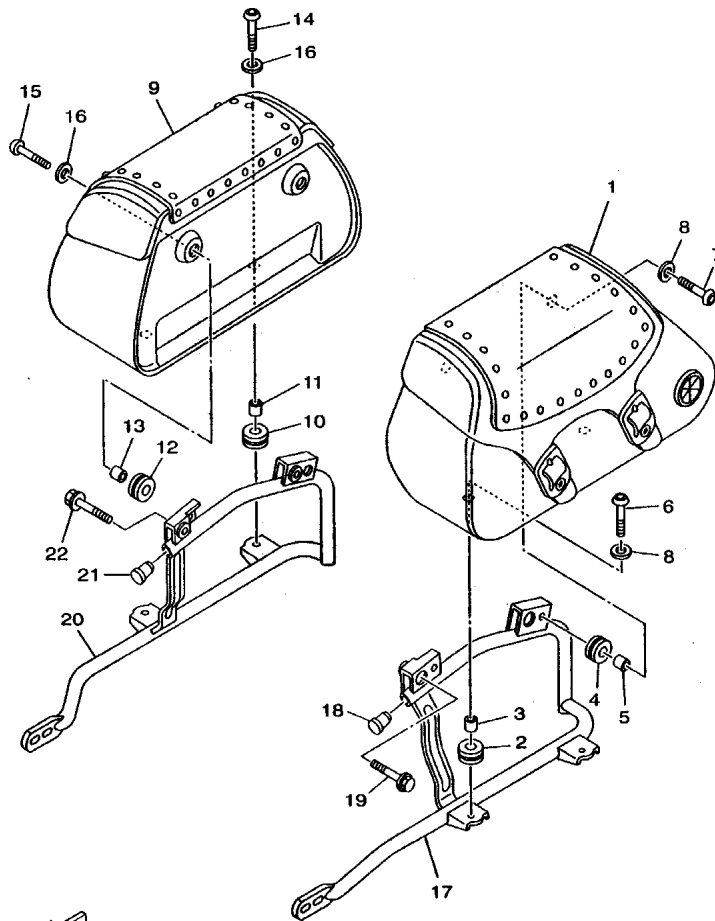
FIG. 34 COWLING 1



5GA1100-9340

REF. NO.	PART NO.	DESCRIPTION	5GA9	5GA	5GAB	5GAC	REMARKS
1	5EJ-F837U-00	SCREEN	1	1	1	1	
2	4NL-F837J-00	DAMPER 5	1	1	1	1	
3	4NL-F837K-00	DAMPER 6	2	2	2	2	
4	4NL-F8336-00	PLATE	1	1	1	1	
5	4NL-F8397-00	PLATE 2	1	1	1	1	
6	4NL-F8396-00	PLATE 1	1	1	1	1	
7	4NL-F8337-00	HOLDER	1	1	1	1	
8	5GA-F838E-00	COVER, HEADLIGHT	1	1	1	1	
9	5GA-F836A-00	BRACKET 1	1	1	1	1	
10	5GA-F836E-00	BRACKET 2	1	1	1	1	
11	4NL-F8354-00	SCREW, COWLING 1	6	6	6	6	
12	4NL-F8345-00	MOLE 1	1	1	1	1	
13	4NL-F8346-00	MOLE 2	2	2	2	2	
14	4NL-F8362-00	NUT	8	8	8	8	
15	5GA-28315-00	EMBLEM	1	1	1	1	
16	4NL-F8307-00	SEAL	1	1	1	1	
17	4NL-F8355-00	SCREW, COWLING 2	2	2	2	2	
18	5GA-28356-00	STAY 1	1	1	1	1	
19	5GA-28357-00	STAY 2	1	1	1	1	
20	95804-10025	BOLT, FLANGE	2	2	2	2	
21	92014-08035	BOLT, BUTTON HEAD	2	2	2	2	
22	95804-08020	BOLT, FLANGE	4	4	4	4	
23	90201-08772	WASHER, PLATE	4	4	4	4	

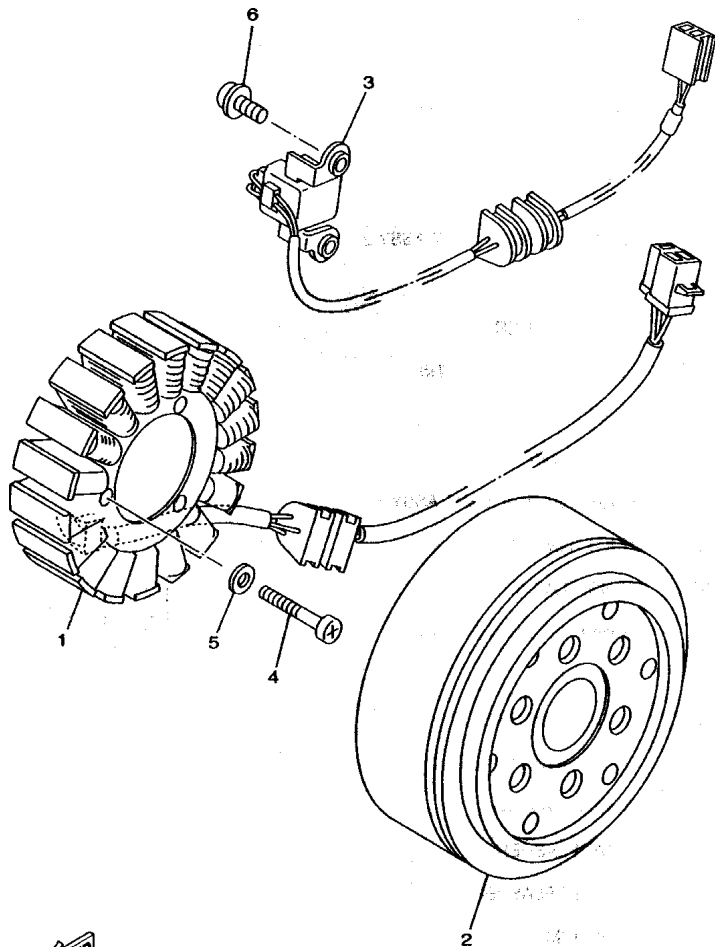
FIG. 35 SADDLEBAG 1



5GA1100-9350

REF. NO.	PART NO.	DESCRIPTION	5GA9	5GA	5GAB	5GAC	REMARKS
1	5GA-F8430-00	SADDLEBAG COMP. 1	1	1		1	
	5GA-F8430-10	SADDLEBAG COMP. 1			1		
2	90480-20132	GROMMET	2	2	2	2	
3	90387-061Y7	COLLAR	2	2	2	2	
4	90480-20338	GROMMET	2	2	2	2	
5	90387-06518	COLLAR	2	2	2	2	
6	92017-06030	BOLT, BUTTON HEAD	2	2	2	2	
7	92017-06025	BOLT, BUTTON HEAD	2	2	2	2	
8	90201-06074	WASHER, PLATE	4	4	4	4	
9	5GA-F8440-00	SIDE BAG COMP.	1	1		1	
	5GA-F8440-10	SIDE BAG COMP.			1		
10	90480-20132	GROMMET	2	2	2	2	
11	90387-061Y7	COLLAR	2	2	2	2	
12	90480-20338	GROMMET	2	2	2	2	
13	90387-06518	COLLAR	2	2	2	2	
14	92017-06030	BOLT, BUTTON HEAD	2	2	2	2	
15	92017-06025	BOLT, BUTTON HEAD	2	2	2	2	
16	90201-06074	WASHER, PLATE	4	4	4	4	
17	5GA-28473-00	FRAME, SADDLEBAG 1	1	1	1	1	
18	90338-19212	PLUG	1	1	1	1	
19	95807-08050	BOLT, FLANGE	2	2	2	2	
20	5GA-28474-00	FRAME, SADDLEBAG 2	1	1	1	1	
21	90338-19212	PLUG	1	1	1	1	
22	95807-08050	BOLT, FLANGE	2	2	2	2	

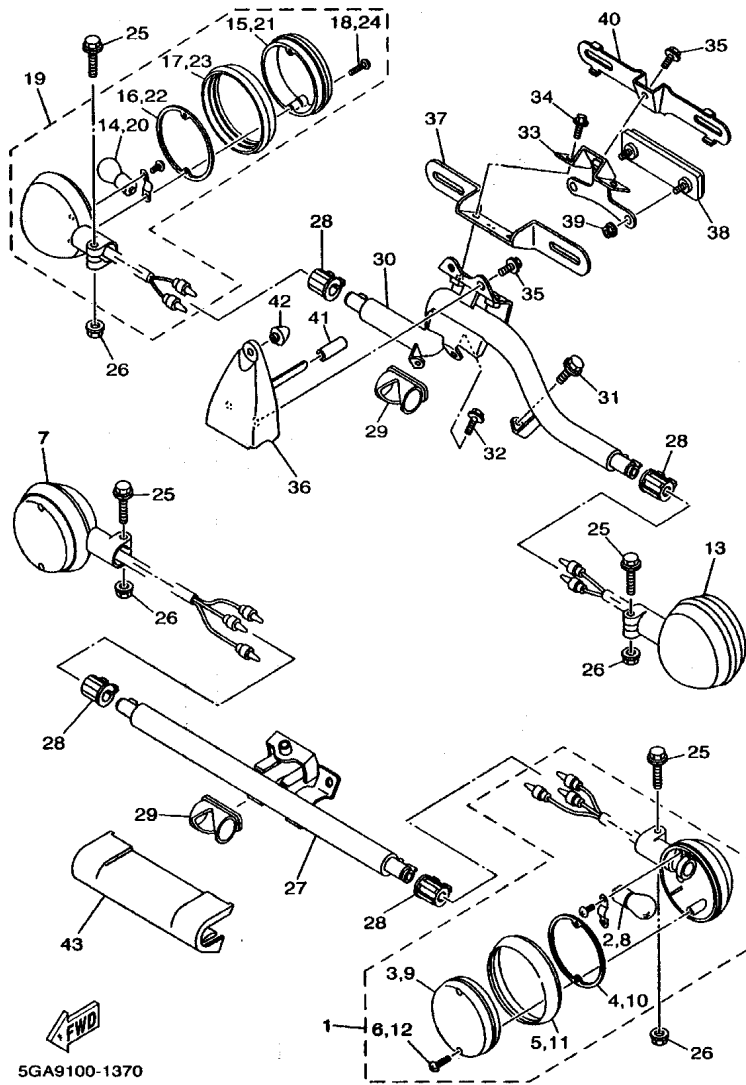
FIG. 36 GENERATOR



REF. NO.	PART NO.	DESCRIPTION					REMARKS
			5GAB	5GAA	5GAB	5GAC	
1	4WM-81410-00	STATOR ASSY	1	1	1	1	
2	4WM-81450-00	ROTOR ASSY	1	1	1	1	
3	4WM-81670-00	PICK-UP ASSY	1	1	1	1	
4	98507-06035	SCREW, PAN HEAD	3	3	3	3	
5	92907-06600	WASHER, PLATE	3	3	3	3	
6	90159-06004	SCREW, WITH WASHER	2	2	2	2	

  
4WM1100-9340

FIG. 37 FLASHER LIGHT



5GA9100-1370

REF. NO.	PART NO.	DESCRIPTION	5GA9	5GAA	5GAB	5GAC	REMARKS
1	4WM-83310-00	FRONT FLASHER LIGHT ASSY 1	1	1	1	1	
2	256-84714-61	.BULB (12V-27/8W)	1	1	1	1	
3	42X-83312-00	.LENS, FLASHER	1	1	1	1	
4	42X-83313-00	.GASKET, FLASHER LENS	1	1	1	1	
5	42X-83363-00	.LENS, RIM	1	1	1	1	
6	57M-83358-00	.SCREW, SPECIAL	2	2	2	2	
7	4WM-83320-00	FRONT FLASHER LIGHT ASSY 2	1	1	1	1	
8	256-84714-61	.BULB (12V-27/8W)	1	1	1	1	
9	42X-83312-00	.LENS, FLASHER	1	1	1	1	
10	42X-83313-00	.GASKET, FLASHER LENS	1	1	1	1	
11	42X-83363-00	.LENS, RIM	1	1	1	1	
12	57M-83358-00	.SCREW, SPECIAL	2	2	2	2	
13	42X-83330-K0	REAR FLASHER LIGHT ASSY 1	1	1	1	1	
14	256-83311-70	.BULB (12V-27W)	1	1	1	1	
15	42X-83312-00	.LENS, FLASHER	1	1	1	1	
16	42X-83313-00	.GASKET, FLASHER LENS	1	1	1	1	
17	42X-83363-00	.LENS, RIM	1	1	1	1	
18	57M-83358-00	.SCREW, SPECIAL	2	2	2	2	
19	42X-83340-K0	FLASHER LIGHT ASSY 2	1	1	1	1	
20	256-83311-70	.BULB (12V-27W)	1	1	1	1	
21	42X-83312-00	.LENS, FLASHER	1	1	1	1	
22	42X-83313-00	.GASKET, FLASHER LENS	1	1	1	1	
23	42X-83363-00	.LENS, RIM	1	1	1	1	
24	57M-83358-00	.SCREW, SPECIAL	2	2	2	2	
25	95024-06030	BOLT, FLANGE	4	4	4	4	
26	95704-06500	NUT, FLANGE	4	4	4	4	
27	4WM-2317V-00	STAY 8	1	1	1	1	

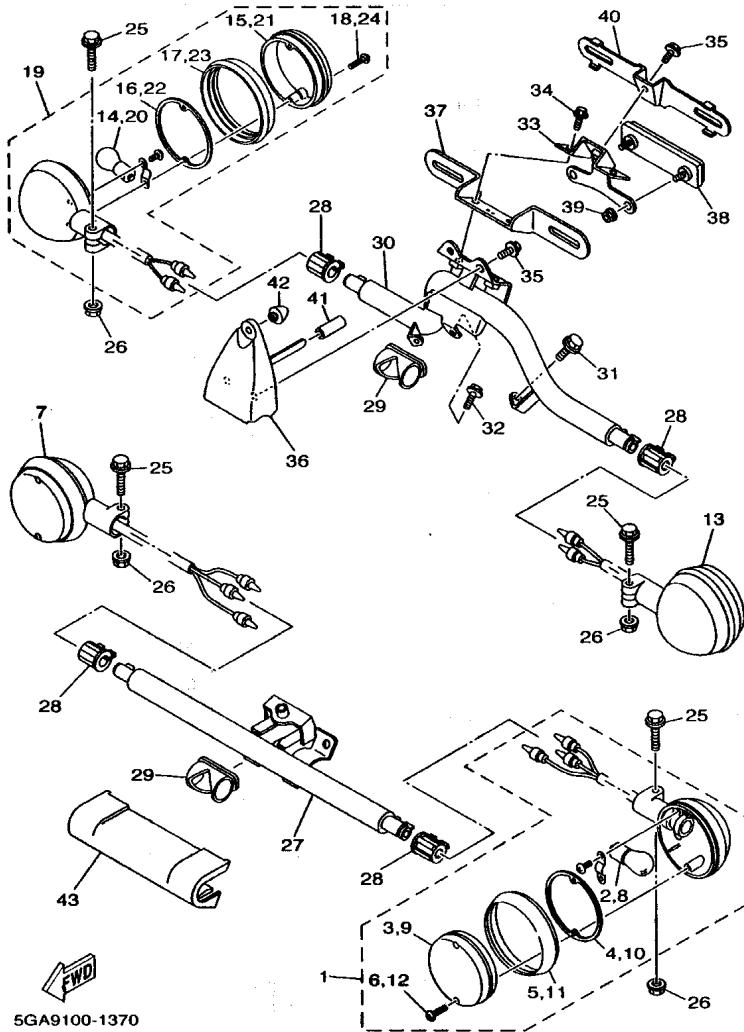
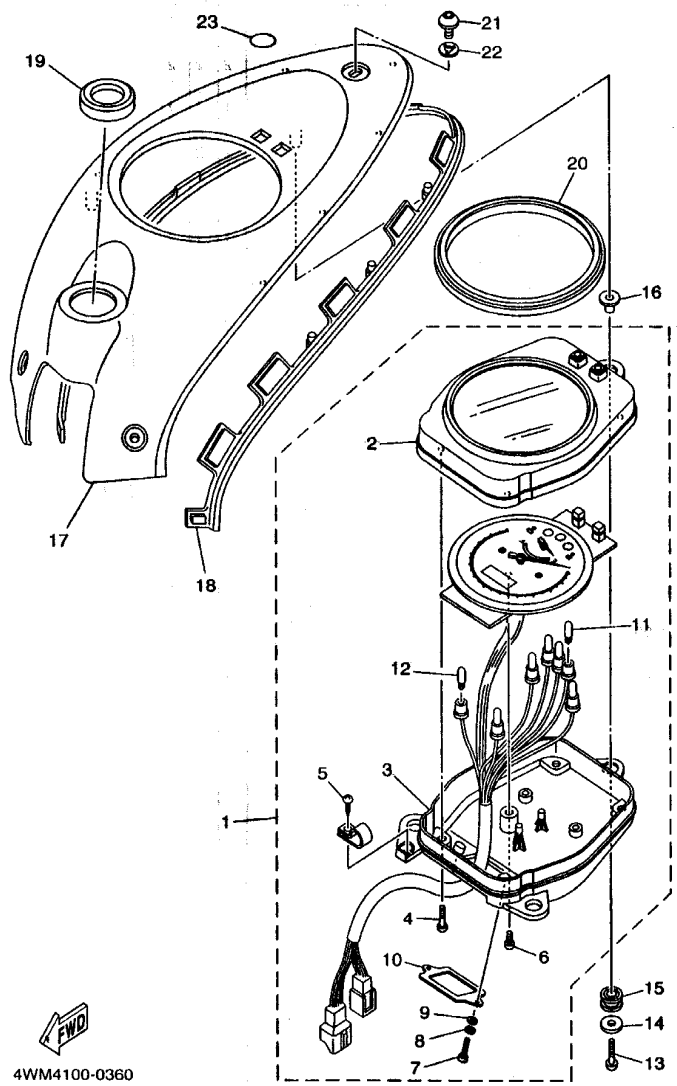


FIG. 37 FLASHER LIGHT

REF. NO.	PART NO.	DESCRIPTION	5GA9	5GAA	5GAB	5GAC	REMARKS
28	4NK-83321-00	DAMPER, FLASHER 1	4	4	4	4	
29	4NK-83345-00	PLUG, BLIND	2	2	2	2	
30	4WM-2317W-10	STAY, 9	1	1	1	1	
31	95024-06012	BOLT, FLANGE	2	2	2	2	
32	90119-06217	BOLT, WITH WASHER	1	1	1	1	
33	4WM-2113J-00	BRACKET, REFLECTOR 1	1	1	1	1	
34	95024-06012	BOLT, FLANGE	2	2	2	2	
35	95027-06010	BOLT, FLANGE	3	3	3	3	
36	5KS-84703-00	BRACKET	1	1	1	1	
37	5JA-84751-00	BRACKET, LICENSE	1	1	1	1	
38	1FK-85130-00	REAR REFLECTOR ASSY	1	1	1	1	
39	95707-05500	NUT, FLANGE	2	2	2	2	
40	4WM-21685-10	BRACKET, LICENSE	1	1	1	1	
41	90446-07114	HOSE	1	1	1	1	
42	42U-21639-00	DAMPER 2	1	1	1	1	
43	4NK-23122-01	COVER, OUTER 1	1	1	1	1	

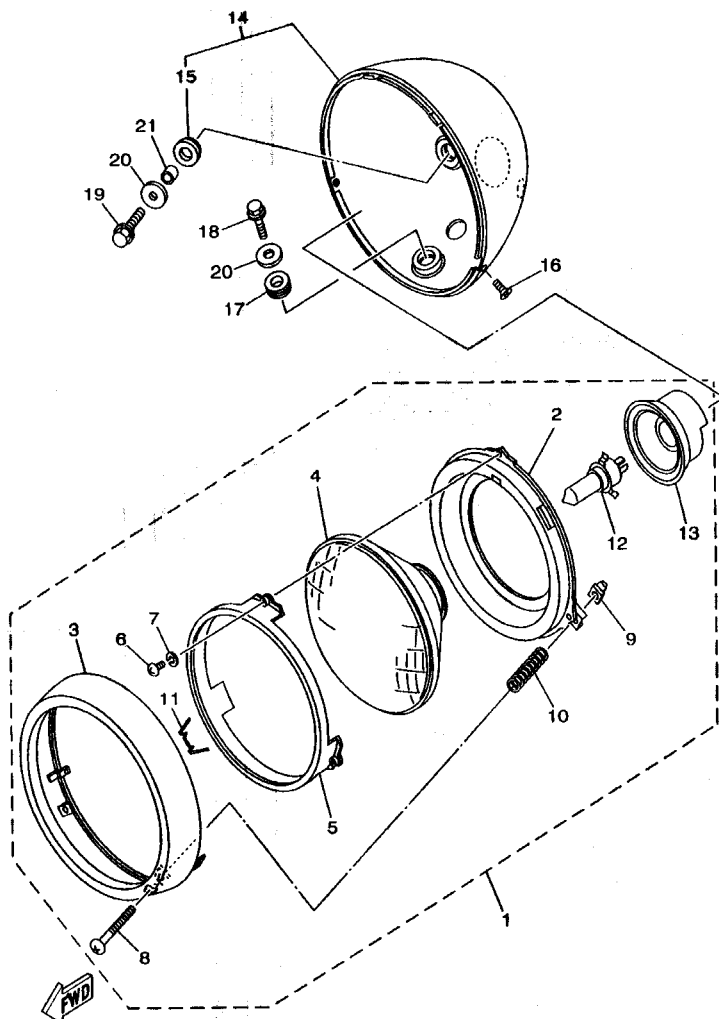


  
 4WM4100-0360

FIG. 38 METER

REF. NO.	PART NO.	DESCRIPTION	5GAG	5GAA	5GAB	5GAC	REMARKS
1	4WM-83500-20	SPEEDOMETER ASSY	1	1		1	
	4WM-83500-30	SPEEDOMETER ASSY			1		
2	4WM-8353E-01	.CASE, METER UPPER	1	1	1	1	
3	4WM-8353F-01	.CASE, METER LOWER	1	1	1	1	
4	97707-40016	.SCREW, TAPPING	4	4	4	4	
5	90164-04023	.SCREW, TAPPING	1	1	1	1	
6	97707-40010	.SCREW, TAPPING	1	1	1	1	
7	98507-03008	.SCREW, PAN HEAD	2	2	2	2	
8	92907-03100	.WASHER	2	2	2	2	
9	92907-03600	.WASHER	2	2	2	2	
10	4WM-83519-00	.BRACKET, METER	1	1	1	1	
11	4WM-83517-10	.BULB (T3.4 12V-80MA)	3	3	3	3	
12	5JA-83517-00	.BULB	4	4	4	4	
13	98507-05020	SCREW, PAN HEAD	3	3	3	3	
14	90201-05036	WASHER, PLATE	3	3	3	3	
15	4WM-83513-00	DAMPER	3	3	3	3	
16	90387-050T5	COLLAR	3	3	3	3	
17	4WM-83559-00	COVER, METER	1	1	1	1	
18	4WM-28345-01	MOLE 1	1	1	1	1	
19	4WM-28346-00	MOLE 2	1	1	1	1	
20	4WM-28347-00	MOLE 3	1	1	1	1	
21	90149-06264	SCREW	3	3	3	3	
22	4U5-2176E-00	PLATE	3	3	3	3	
23	4TR-2413B-00	EMBLEM	1	1	1	1	

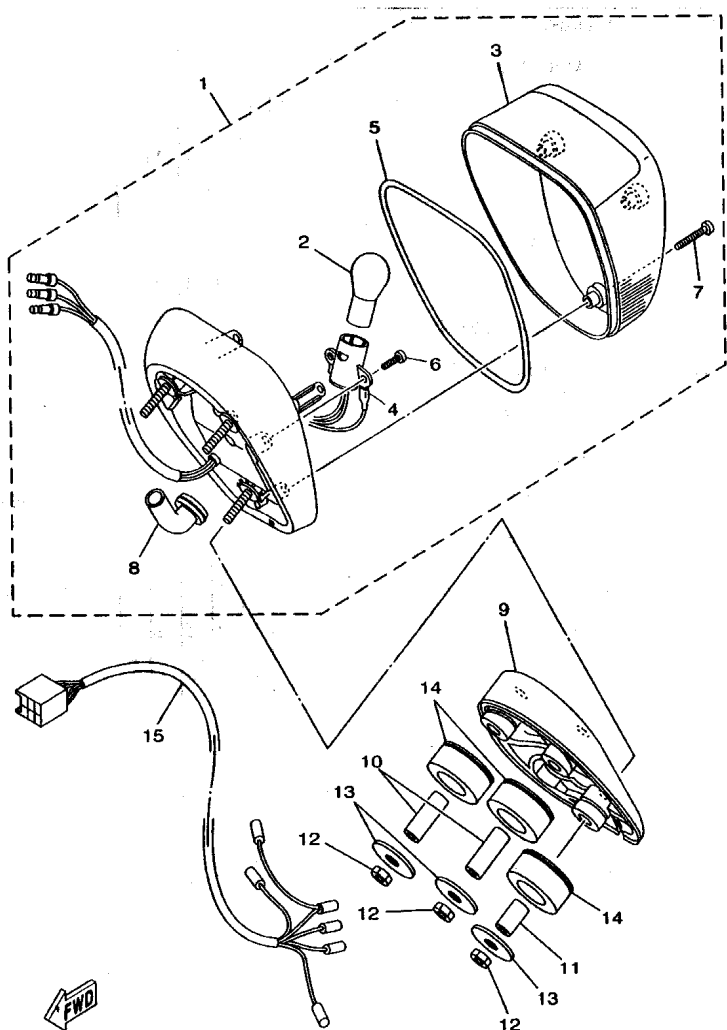




4WM4100-0370

FIG. 39 HEADLIGHT

REF. NO.	PART NO.	DESCRIPTION	5G9	5GA	5GB	5GC	REMARKS
1	4WM-84310-00	HEADLIGHT UNIT ASSY	1	1	1	1	
2	4NK-84394-00	.RING, MOUNTING	1	1	1	1	
3	4WM-84315-00	.RIM, HEADLIGHT	1	1	1	1	
4	4NK-84320-00	.LENS ASSY	1	1	1	1	
5	2F9-84395-00	.RING, RETAINING	1	1	1	1	
6	98502-04008	.SCREW, PAN HEAD	3	3	3	3	
7	92902-04100	.WASHER, SPRING	3	3	3	3	
8	341-84331-60	.SCREW, RIM ADJUSTING	2	2	2	2	
9	198-84334-60	.NUT, ADJUSTING	2	2	2	2	
10	5G2-84332-60	.SPRING, SCREW	2	2	2	2	
11	290-84124-21	.SPRING, SET	1	1	1	1	
12	2F9-84314-00	.BULB (12V-60/55W)	1	1	1	1	(H4)HALOGEN
13	3SX-84397-00	.COVER, SOCKET	1	1	1	1	
14	4WM-84330-00	BODY ASSY	1	1	1	1	
15	42X-84366-00	.DAMPER, HEADLIGHT 1	2	2	2	2	
16	90152-05005	SCREW, COUNTERSUNK	2	2	2	2	
17	90480-16233	GROMMET	1	1	1	1	
18	95027-06016	BOLT, FLANGE	1	1	1	1	
19	95027-06025	BOLT, FLANGE	2	2	2	2	
20	90201-060A3	WASHER, PLATE	3	3	3	3	
21	90387-0610J	COLLAR	2	2	2	2	

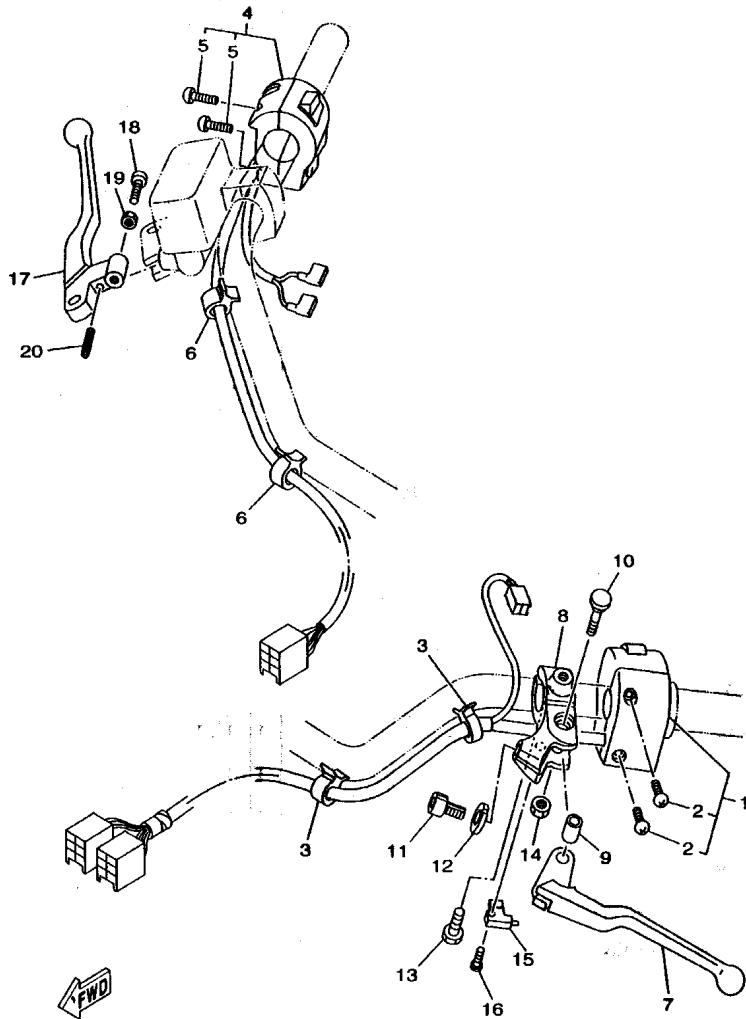


4WM1100-9380

FIG. 40 TAILLIGHT

REF. NO.	PART NO.	DESCRIPTION	SGA9	SGA	SGAB	SGAC	REMARKS
1	4WM-84700-00	TAILLIGHT ASSY	1	1	1	1	
2	256-84714-60	.BULB (12V-21/5W)	1	1	1	1	
3	4NK-84721-00	.LENS, TAILLIGHT	1	1	1	1	
4	4WM-84735-00	.CORD ASSY	1	1	1	1	
5	4NK-84702-00	.GASKET, TAILLENS	1	1	1	1	
6	97707-40516	.SCREW, TAPPING	2	2	2	2	
7	97780-40525	.SCREW, TAPPING	3	3	3	3	
8	5BN-84154-00	.GROMMET	1	1	1	1	
9	4WM-84527-00	DAMPER	1	1	1	1	
10	90387-06574	COLLAR	2	2	2	2	
11	90387-06028	COLLAR	1	1	1	1	
12	95307-06600	NUT	3	3	3	3	
13	90201-065G8	WASHER, PLATE	3	3	3	3	
14	5BN-84553-00	DAMPER	3	3	3	3	
15	4WM-84717-00	CORD, TAILLIGHT	1	1	1	1	

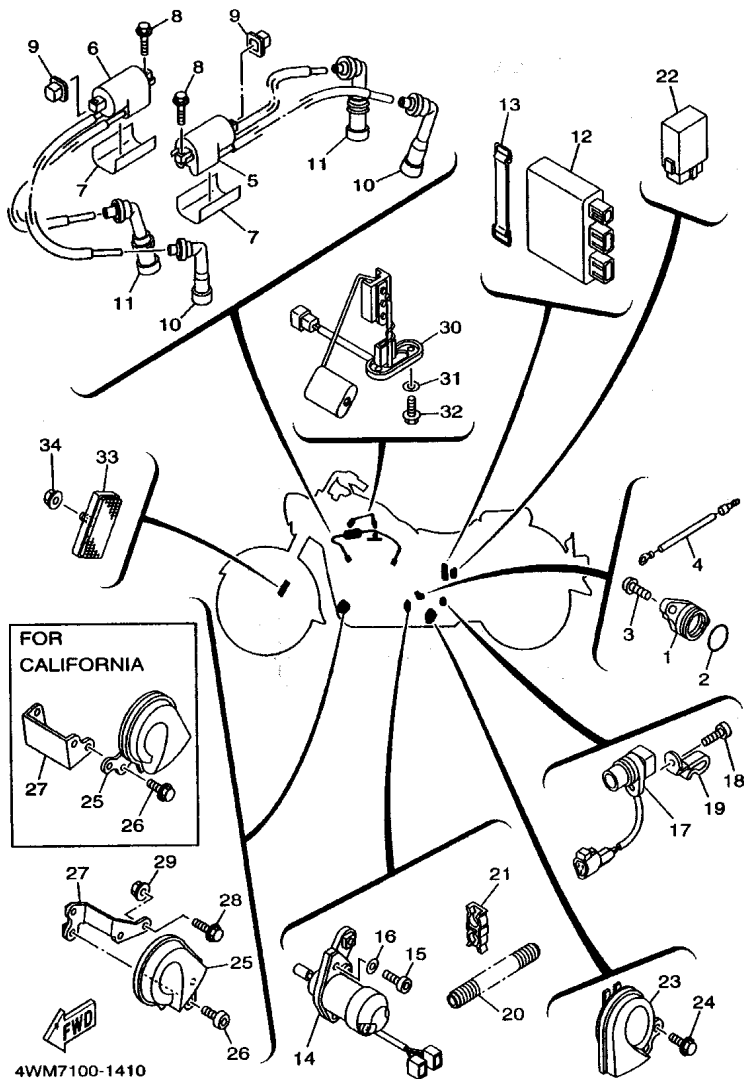
FIG. 41 HANDLE SWITCH. LEVER



4WM4110-0390

REF. NO.	PART NO.	DESCRIPTION					REMARKS
			5GA9	5GAA	5GAB	5GAC	
1	5BN-83973-00	SWITCH, HANDLE 3	1	1	1	1	
2	98504-05025	.SCREW, PAN HEAD	2	2	2	2	
3	90464-15192	CLAMP	2	2	2	2	
4	4WM-83975-01	SWITCH, HANDLE 2	1	1	1	1	
5	98580-05025	.SCREW, PAN HEAD	2	2	2	2	
6	90464-10190	CLAMP	2	2	2	2	
7	4WM-83912-00	LEVER 1	1	1	1	1	
8	5BN-82911-00	HOLDER, LEVER 1	1	1	1	1	
9	4TR-83913-00	COLLAR, LEVER 1	1	1	1	1	
10	4TR-83945-00	BOLT, LEVER	1	1	1	1	
11	90123-08046	BOLT	1	1	1	1	
12	90179-08148	NUT	1	1	1	1	
13	97004-06020	BOLT	1	1	1	1	
14	95604-06100	NUT, U	1	1	1	1	
15	3YX-82917-00	SWITCH	1	1	1	1	
16	98707-03020	SCREW, FLAT HEAD	1	1	1	1	
17	5EY-83922-00	LEVER 2	1	1	1	1	
18	90149-06131	SCREW	1	1	1	1	
19	90170-06010	NUT	1	1	1	1	
20	90501-10312	SPRING, COMPRESSION	1	1	1	1	

FIG. 42 ELECTRICAL 1



REF. NO.	PART NO.	DESCRIPTION	5GA9	5GAA	5GAB	5GAC	REMARKS
1	1AE-82540-00	NEUTRAL SWITCH ASSY	1	1	1	1	
2	93210-29196	O-RING	1	1	1	1	
3	92014-06012	BOLT, BUTTON HEAD	2	2	2	2	
4	4WM-82509-00	WIRE, SUB LEAD	1	1	1	1	
5	4WM-82310-00	IGNITION COIL ASSY	1	1	1	1	
6	4WM-82310-10	IGNITION COIL ASSY	1	1	1	1	
7	4WM-21266-00	SHEET 1	2	2	2	2	
8	95807-06020	BOLT, FLANGE	2	2	2	2	
9	4U8-82317-00	DAMPER, IGNITION COIL	2	2	2	2	
10	4TR-82370-00	PLUG CAP ASSY	2	2	2	2	
11	4NK-82370-00	PLUG CAP ASSY	2	2	2	2	
12	4WM-82305-00	IGNITOR UNIT ASSY	1	1	1	1	
13	120-82131-00	BAND, BATTERY	1	1	1	1	
14	4WM-86110-00	SOLENOID	1	1	1	1	
15	90110-06114	BOLT, HEXAGON SOCKET HEAD	2	2	2	2	
16	90214-06002	WASHER, CLAW	2	2	2	2	
17	4WM-83755-00	SENSOR, SPEED	1	1	1	1	
18	91314-06014	BOLT	1	1	1	1	
19	90465-08127	CLAMP	1	1	1	1	
20	4WM-81842-00	COVER	1	1	1	1	
21	90464-18266	CLAMP	1	1	1	1	
22	4WM-83350-00	FLASHER RELAY ASSY	1	1	1	1	
23	4WM-83371-00	HORN	1	1	1	1	
24	95827-06012	BOLT, FLANGE	2	2	2	2	
25	4WM-83371-20	HORN	1	1	1	1	
	4WM-83371-10	HORN		1			
26	92017-06012	BOLT, BUTTON HEAD	2	2	2	2	

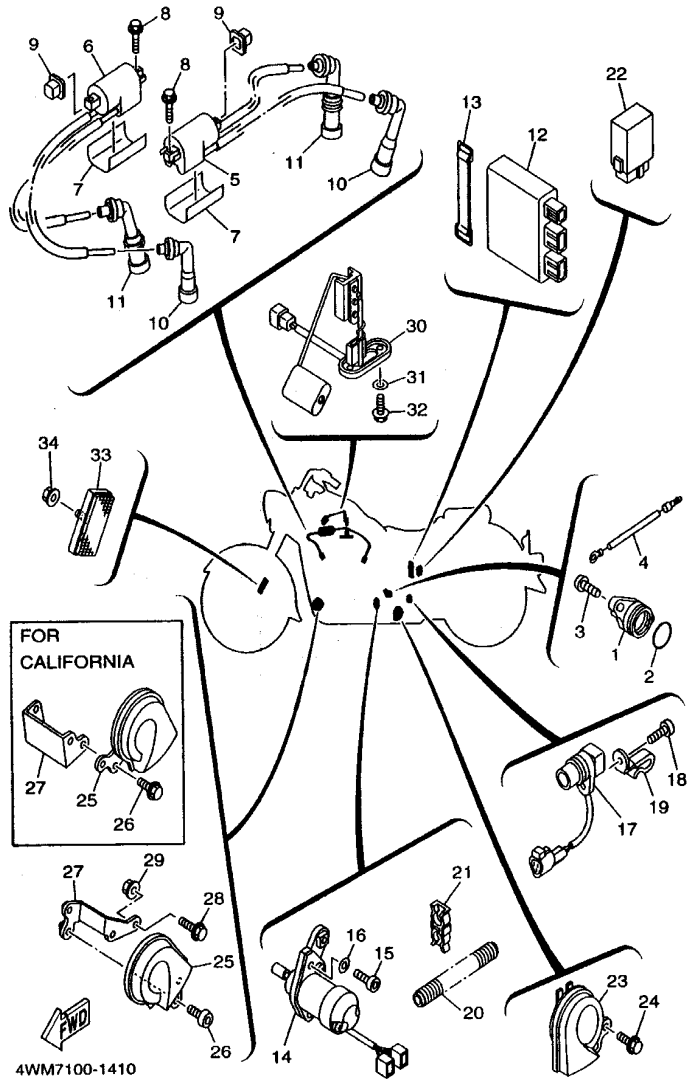


FIG. 42 ELECTRICAL 1

REF. NO.	PART NO.	DESCRIPTION	SGA9	SGAA	SGAB	SGAC	REMARKS
26	95827-06012	BOLT, FLANGE		4			
27	4WM-83378-00	STAY, HORN	1		1	1	
	4WM-83378-10	STAY, HORN		1			
28	90105-06009	BOLT, WASHER BASED	2		2	2	
29	95707-06500	NUT, FLANGE	2		2	2	
30	4WM-85752-00	SENDER UNIT ASSY, FUEL METER	1	1	1	1	
31	90202-05193	WASHER, PLATE	2	2	2	2	
32	95817-06016	BOLT, FLANGE	2	2	2	2	
33	11H-85110-01	REFLECTOR ASSY	2	2	2	2	
34	95707-05500	NUT, FLANGE	2	2	2	2	

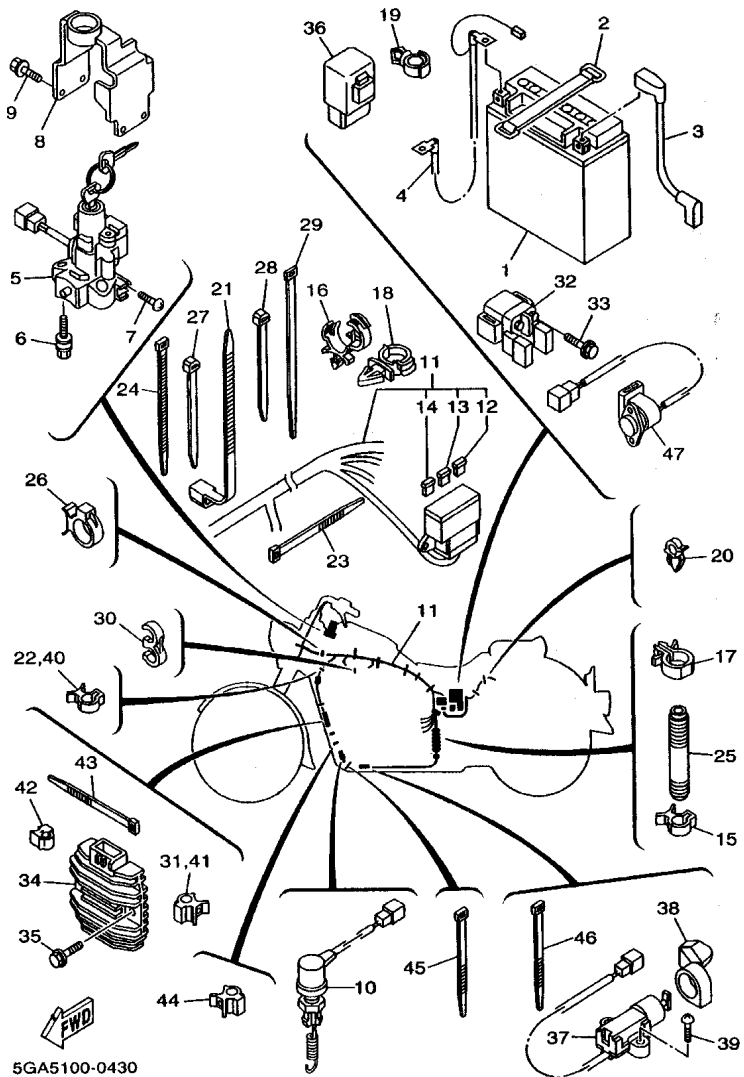


FIG. 43 ELECTRICAL 2

REF. NO.	PART NO.	DESCRIPTION	5GA9	5GAA	5GAB	5GAC	REMARKS
1	4SH-82100-21	BATTERY ASSY (YTX20L-BS)	1	1	1	1	
2	4WM-82131-00	BAND, BATTERY	1	1	1	1	
3	4WM-82115-00	WIRE, PLUS LEAD	1	1	1	1	
4	4WM-82116-00	WIRE, MINUS LEAD	1	1	1	1	
5	4WM-82501-01	MAIN SWITCH STEERING LOCK	1	1	1	1	
6	90109-080G5	BOLT	2	2	2	2	
7	98507-05010	SCREW, PAN HEAD	1	1	1	1	
8	4WM-82568-00	COVER, MAIN SWITCH	1	1	1	1	
9	90105-06010	BOLT, WASHER BASED	4	4	4	4	
10	4WM-82530-00	STOP SWITCH ASSY	1	1	1	1	
11	4WM-82590-00	WIRE HARNESS ASSY	1		1	1	
	4WM-82590-10	WIRE HARNESS ASSY		1			
12	1NL-82151-00	.FUSE (5A-BL)	2	2	2	2	
13	36Y-82151-00	.FUSE (15A-BL)	3	3	3	3	
14	42X-82151-00	.FUSE (10A-BL)	3	3	3	3	
15	90464-20191	CLAMP	1	1	1	1	
16	90464-07209	CLAMP	1	1	1	1	
17	90464-24230	CLAMP	1	1	1	1	
18	90464-13073	CLAMP	1	1	1	1	
19	90464-20181	CLAMP	1	1	1	1	
20	90464-08263	CLAMP	2	2	2	2	
21	90464-13073	CLAMP	1	1	1	1	
22	90464-15192	CLAMP	1	1	1	1	
23	1UA-82591-00	BAND	1	1	1	1	
24	1UA-82591-00	BAND	1	1	1	1	
25	4WM-82139-00	TUBE	1	1	1	1	
26	90464-20191	CLAMP	1	1	1	1	

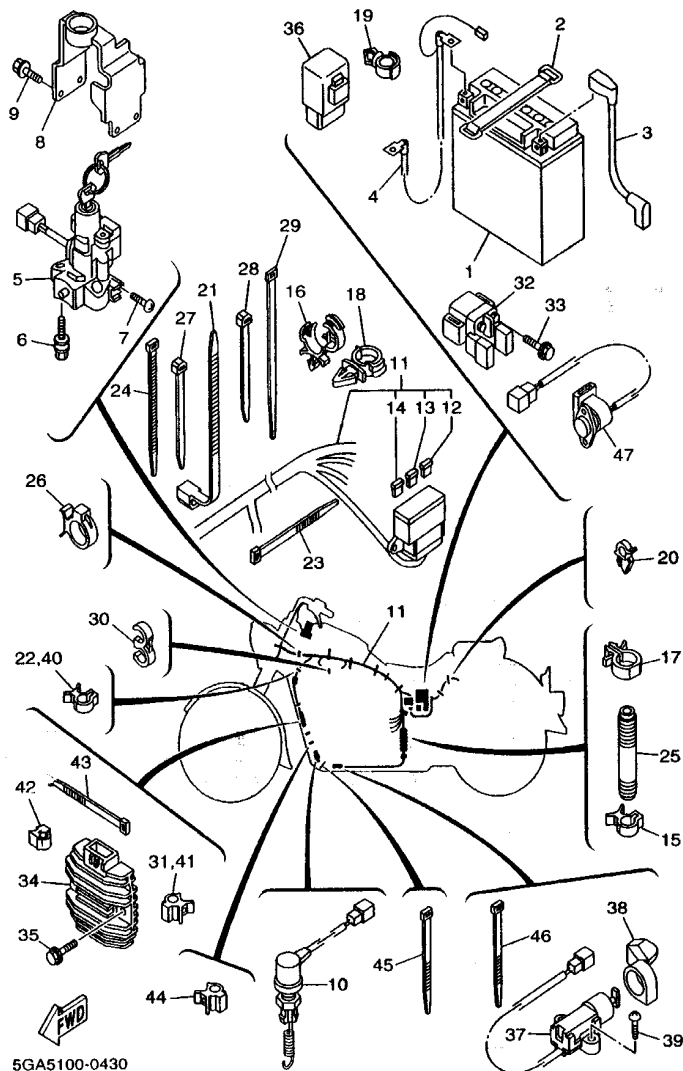


FIG. 43 ELECTRICAL 2

REF. NO.	PART NO.	DESCRIPTION	SGA9	SGAA	SGAB	SGAC	REMARKS
27	90464-12045	CLAMP	1	1	1	1	
28	90464-12045	CLAMP	1	1	1	1	
29	90464-32060	CLAMP	1	1	1	1	
30	90464-60067	CLAMP	1	1	1	1	
31	90464-10190	CLAMP	1	1	1	1	
32	4BH-81940-00	STARTER RELAY ASSY	1	1	1	1	
33	95027-06008	BOLT, FLANGE	2	2	2	2	
34	5BN-81960-00	RECTIFIER & REGULATOR ASSY	1	1	1	1	
35	95807-06020	BOLT, FLANGE	2	2	2	2	
36	3EN-81950-00	RELAY ASSY	1	1	1	1	
37	3LD-82566-70	SWITCH, SIDE STAND	1	1	1	1	
38	4WM-8252U-00	COVER	1	1	1	1	
39	90157-05079	SCREW, PAN HEAD	2	2	2	2	
40	90464-15192	CLAMP	1	1	1	1	
41	90464-10190	CLAMP	1		1	1	
	90464-15192	CLAMP		1			
42	90464-05188	CLAMP	2	2	2	2	
43	1UA-82591-00	BAND	1	1	1	1	
44	90464-10190	CLAMP	1	1	1	1	
45	1UA-82591-00	BAND	1	1	1	1	
46	1UA-82591-00	BAND	2	2	2	2	
47	4TR-82560-00	THERMO SWITCH ASSY	1	1	1	1	

NUMERICAL INDEX

PARTNO.	GRID NO.	PARTNO.	GRID NO.	PARTNO.	GRID NO.	PARTNO.	GRID NO.	PARTNO.	GRID NO.	PARTNO.	GRID NO.
4NL-F8307-00	E-14	4WM-11133-10	B-2	4WM-12161-00	B-5	239-14172-20	B-12	4WM-14882-00	B-14	4WM-15653-00	C-7
4NL-F8336-00	E-14	4WM-11141-00	B-2	4WM-12173-00	B-6	127-14186-00	B-12	4WM-14883-00	B-14	4WM-15659-00	C-7
4NL-F8337-00	E-14	4WM-11161-00	B-2	4WM-12215-00	B-6	4KP-14191-00	B-12	4WM-14884-00	B-15	4WM-15779-00	C-12
4NL-F8345-00	E-14	4WM-11162-00	B-2	4WM-12271-00	B-6	4WM-14193-00	B-11	4WM-14885-00	B-14	4WM-16111-00	C-8
4NL-F8346-00	E-14	4WM-11166-00	B-3	4WM-12272-00	B-6	4WM-14196-00	B-11	4WM-14886-00	B-15	4WM-16139-00	C-11
4NL-F8354-00	E-14	4WM-11171-00	B-2	4WM-12275-00	C-5	4SV-14197-00	B-12	4WM-14896-00	B-11	4WM-16150-00	C-8
4NL-F8355-00	E-14	4WM-11172-00	B-2	4WM-12278-01	C-5	4KM-14216-00	B-12	4WM-1490H-00	B-13	26H-16154-00	C-8
5GA-F836A-00	E-14	4WM-11175-00	B-2	4WM-12282-00	B-6	1HX-14231-20	B-13	4WM-1490J-00	B-12	4WM-16181-00	C-8
5GA-F836E-00	E-14	4WM-11176-00	B-2	4WM-12286-00	C-5	3G2-14231-00	B-12	4WM-14918-00	B-13	4WM-16193-00	C-8
4NL-F8362-00	E-14	4WM-11181-00	B-2	4WM-12293-00	B-6	620-14231-33	B-12	4KM-14933-00	B-12	26H-16307-00	C-8
4NL-F837J-00	E-14	4WM-11182-00	B-2	4WM-12294-00	B-6	4WM-14264-00	B-12	3LD-14958-00	B-13	26H-16321-00	C-8
4NL-F837K-00	E-14	4WM-11191-00	B-3	4WM-12298-00	B-6	4WM-14291-00	B-12	73A-14973-00	B-12	26H-16324-00	C-8
5EJ-F837U-00	E-14	4WM-11192-00	B-3	4WM-13100-00	C-11	4WM-14294-00	B-11	5DM-14985-00	B-13	4NK-16334-00	C-8
5GA-F838E-00	E-14	4WM-11193-00	B-3	4WM-13116-00	C-11	4WM-14295-00	B-11	4WM-14987-00	B-13	1FK-16335-00	C-8
4NL-F8396-00	E-14	4WM-11194-00	B-3	4WM-13132-00	C-12	4WM-14327-00	B-12	3XV-14994-00	B-12	4WM-16340-00	C-8
4NL-F8397-00	E-14	214-11198-01	C-6	4WM-13161-00	B-8	4WM-14348-00	B-11	4WM-15100-00	C-2	132-16346-00	C-15
5GA-F8430-00	E-15		C-11	4WM-13171-00	B-8	4WM-14349-01	B-11	4WM-15123-00	C-2	1FK-16351-00	C-8
5GA-F8430-10	E-15	4WM-11311-00	B-3	4WM-13181-00	B-9	4WM-14411-00	B-10	4WM-15142-00	C-4	1FK-16352-00	C-8
5GA-F8440-00	E-15	4WM-11351-00	B-3	4WM-13286-00	C-11	4WM-14413-00	B-10	4WM-15143-00	C-4	4XV-16356-01	C-9
5GA-F8440-10	E-15	4WM-11400-00	B-4	4WM-13300-00	B-8	4WM-14417-00	B-10	4H7-15189-00	C-2	4WM-16370-00	C-8
4K0-W0041-50	E-8	4WM-11534-00	B-6	4WM-13360-00	B-8	4WM-14421-00	B-10	4WM-15316-00	C-4	4WM-16382-00	C-8
4BP-W0042-50	E-12	34L-11610-00	B-4	4WM-13405-00	B-9	4WM-14423-00	B-10	4WM-15326-00	C-4	1FK-16383-00	C-8
4WM-W0045-00	E-3	4WM-11631-00	B-4	4WM-13411-00	B-8	4WM-1443E-00	B-10	4WM-15335-00	C-5	26H-16384-00	C-8
4WM-W0046-00	E-6	4WM-11633-00	B-4	4WM-13412-00	B-8	4WM-14437-00	B-10	4WM-15362-00	C-12	26H-16385-00	C-8
1KT-W0047-00	E-6	4WM-11650-00	B-4	4WM-13416-00	B-8	4WM-14451-00	B-10	4GL-15371-00	B-3	4WM-16539-00	C-8
3JB-W0047-00	E-3	4WM-11654-00	B-4	4WM-13418-00	B-8	4WM-14452-00	B-10	4WM-15377-00	C-4	4WM-17076-00	C-13
4NK-W0047-00	E-6	4WM-11656-00	B-4	4WM-13421-00	C-11	4WM-14453-00	B-10	4WM-15411-00	C-4	4NK-17121-01	C-10
1J3-W0048-00	E-6	4WM-11656-10	B-4	3FV-13440-00	B-8	4WM-1446E-00	B-11	4WM-15413-00	C-6	4NK-17141-01	C-10
51L-W0048-00	E-3	4WM-11656-20	B-4	4WM-13461-00	B-8	4WM-14498-00	B-11	4WM-15417-00	C-2	4NK-17151-00	C-10
1KT-W0057-00	E-6	4WM-11656-30	B-4	4WM-13464-00	B-9	4WM-14504-00	B-13	4WM-15421-00	C-4	4NK-17211-01	C-10
3JB-W0057-00	E-3	4WM-11656-40	B-4	4WM-13542-00	B-15	5DM-14561-00	B-12	4WM-15423-00	C-4	4NK-17221-01	C-10
4NK-W0057-00	E-6	4WM-11951-00	B-6	4WM-1357N-00	B-9	1FN-14565-00	B-12	4WM-15425-00	C-4	4NK-17231-01	C-10
4WM-W1153-00	B-6	4WM-12111-00	B-5	4WM-13573-00	B-8	1UY-14565-00	B-13	4WM-15427-00	C-5	4NK-17241-01	C-10
4WM-W1211-01	B-6	4WM-12113-00	B-5	4WM-13586-00	B-10	4WM-14565-00	B-12	4WM-15431-00	C-5	4NK-17251-00	C-10
4WM-W2341-00	D-9	4WM-12114-00	B-5	4WM-13907-00	D-14	4XY-14568-00	D-13	4WM-15441-00	C-6	4WM-17411-00	C-10
4NK-W2585-00	E-8	26H-12116-00	B-5	4WM-13993-00	B-11	4WM-14610-00	B-14	4WM-15449-00	C-13	4WM-17421-00	C-10
4WM-Y2150-C0-7X	D-4	26H-12117-00	B-5	4WM-1410A-00	B-13	3EG-14613-00	B-14	4WM-15451-00	C-4	4WM-17541-01	C-11
4WM-Y2150-E0-33	D-4	4G0-12118-00	B-5	4WM-14101-01	B-12	4WM-14620-00	B-14	4WM-15461-00	C-5	4WM-17542-00	C-11
4WM-Y2161-E1-33	D-4	4KM-12119-00	B-5	4WM-14101-11	B-12	4WM-14710-02	B-14	4WM-15462-00	C-5	4WM-1755A-00	C-11
4WM-Y2161-81-7X	D-4	4WM-12121-00	B-5	4WM-14103-00	B-13	42H-14714-10	B-15	4WM-15484-00	C-4	4WM-17613-00	C-12
4WM-Y2410-31-02	D-12	4WM-12146-00	B-5	4WM-14105-00	B-12	3XW-14755-00	B-14	4H7-15486-00	C-13	4WM-1763A-00	C-12
4WM-Y2410-31-03	D-12	4WM-12151-00	B-5	4WM-14105-00	B-12	4WM-14808-00	B-15	1VJ-15511-00	C-7	4WM-17631-00	C-12
4WM-11101-00	B-2	4WM-12152-00	B-6	4SV-14107-20	B-12	4WM-14857-00	B-14	4WM-15512-00	C-7	4WM-17651-00	C-13
4WM-11101-10	B-2	4WM-12153-00	B-5	4SV-14112-00	B-12	4WM-14858-00	B-14	4WM-15515-00	C-7	4WM-17653-00	C-13
4WM-1111M-00	B-3	4WM-12154-00	B-5	3F9-14118-00	B-13	4WM-14859-00	B-14	4WM-15517-00	C-7	4WM-17665-01	C-13
4WM-1111N-00	B-3	4WM-12155-01	B-6	4WM-14130-00	B-13	4WM-14868-00	B-15	4WM-15521-00	C-7	4WM-17675-00	C-13
4WM-11126-00	B-3	31G-12158-00	B-5	4WM-14141-02	B-12	4WM-14868-00	B-15	4WM-15522-00	C-7	4WM-17682-00	C-11
4WM-11131-00	B-2	31G-12159-02	B-5	4KM-14142-35	B-13	4WM-14871-00	B-15	4WM-15590-00	C-7	4WM-17929-00	C-11
				3FV-14147-00	B-13	4WM-14872-00	B-15				





NUMERICAL INDEX

PARTNO.	GRID NO.	PARTNO.	GRID NO.	PARTNO.	GRID NO.	PARTNO.	GRID NO.	PARTNO.	GRID NO.	PARTNO.	GRID NO.
4WM-17931-00	C-11	5GA-2164G-00	D-4	4NK-23145-00	D-11	5JA-24240-10	D-12	5V4-25398-00	E-4	4WM-26312-00	E-7
4WM-17932-00	C-12	4WM-21649-00	D-4	4NK-23146-00	D-10	4WM-24291-00	D-12	4WM-25470-00	E-4	4WM-26335-00	E-7
4WM-18101-00	C-15	4WM-2165A-A0	D-4	4NK-23147-00	D-11	4WM-24311-00	D-12	4WM-2580T-00	E-3	1E6-26342-00	E-7
4WM-18110-01	C-15	5JA-2165A-00	D-4	4NK-23147-00	D-10	4WM-24312-00	D-13	4WM-2580U-00	E-3	4NK-2635J-00	E-7
4WM-18115-00	C-15	4WM-21685-10	F-4	4NK-23151-00	D-10	4WM-24321-00	D-13	4WM-2580W-00	E-6	5H0-26393-00	E-7
4WM-18130-00	C-15	4WM-21711-00-JY	D-5	4NK-23151-00	D-11	4WM-24321-10	D-13	4WM-2581J-00	E-13	3VR-27114-00	D-2
26H-18140-01	C-15	4WM-21711-00-33	D-5	34L-23153-00	D-10	4WM-24322-00	D-13	4WM-25819-00	E-6	4WM-27211-00	E-12
4NK-18141-00	C-14	4WM-2172E-00	D-5	4NK-23157-00	D-10	4WM-24323-00	D-13	4BP-2582A-00	E-12	4BP-27222-00	E-12
4WM-18150-00	C-15	4WM-2172K-00	D-5	4NK-23157-00	D-11	4WM-24325-01	B-11	3JB-2582U-01	E-3	4WM-27242-00	E-12
2H9-18154-00	C-15	4WM-21721-00-JY	D-5	4NK-23163-00	D-11	4WM-24339-00	D-12	4WM-2582W-00	E-6	4WM-27285-00	E-12
4WM-18154-00	C-15	4WM-21721-00-33	D-5	4NK-23165-00	D-11	4WM-24393-00	D-13	5BN-25827-00	E-3	4WM-27311-00	E-11
4NK-18185-00	C-14	4NK-21735-00	D-4	4WM-23166-00	D-10	4WM-24394-00	D-13	4BP-2583V-00	E-12	4WM-2741L-00	E-12
4WM-18511-00	C-14	26H-21746-00	D-5	4WM-2317V-00	F-3	4WM-24398-00	D-13	1NL-25836-00	E-6	4WM-27410-10	E-10
4WM-18512-00	C-14	4U5-2176E-00	F-5	4WM-2317W-10	F-4	4SV-24411-00	B-12	4BP-2585F-00	E-12	4WM-27413-00	E-10
4WM-18513-00	C-14	4WM-2177G-00	D-5	4WM-23171-00	D-10	4WM-24491-01	D-14	3LN-2585G-00	E-12	4WM-27414-00	E-10
4NK-18531-00	C-14	3LS-21781-00	D-6	4WM-23174-00	D-11	4WM-24500-00	D-12	2KF-25852-50	E-13	4WM-27420-10	E-10
4WM-18540-00	C-14	4WM-2179R-20	D-6	1KT-23181-00	D-11	4X8-24512-00	D-12	360-25854-01	E-12	4WM-27423-00	E-10
4UN-18542-00	C-14	4WM-2179V-20	D-6	38W-23181-00	D-11	3AJ-24523-00	D-12	4NK-25854-00	E-8	4NK-27426-00	E-10
4UN-18566-00	C-14	4WM-22110-00	D-7	4NK-23181-00	D-11	3AJ-24534-00	D-12	2GU-25855-00	E-12	4NK-27427-00	E-10
4WM-21110-00	D-2	3XV-22127-00	D-7	4NK-23181-00	D-11	1FK-24560-00	D-13	4L0-25862-01	E-8	4WM-27430-10	E-10
4WM-2113J-00	F-4	3FV-22128-00	D-7	4NK-23181-00	D-11	4NK-24602-10	D-13	4NK-25867-00	E-8	4WM-27433-00	E-10
4WM-2117X-00-JY	D-5	4WM-2217A-00	D-7	4NK-23181-10	D-11	4WM-24662-00	D-13	4NK-25870-00	E-8	4WM-27440-10	E-11
4WM-2117X-00-33	D-5	4WM-2217M-00	D-7	4NK-23193-00	D-10	4NK-2471A-00	D-15	4WM-25872-00	E-8	4WM-27443-00	E-11
4WM-2117Y-00-JY	D-5	4WM-22184-00	D-7	4NK-23340-00	D-11	5GA-24710-00	D-15	4WM-25873-00	E-8	4WM-27496-00	E-10
4WM-2117Y-00-33	D-5	4KM-2219X-00	D-7	4WM-23389-00	D-9	4WM-24728-00	D-15	4WM-25875-00	E-8	4WM-27497-00	E-10
4WM-21190-00	D-2	5GA-22210-00	D-8	1W1-23416-00	D-9	4WM-24734-00	D-15	4WM-25876-00	D-11	4WM-27499-00	E-10
4WM-21266-00	F-9	5GA-22210-10	D-8	26H-23418-01	D-9	22W-24741-00	D-15	4NK-25885-00	E-8	4WM-28100-00	D-3
4WM-21267-00	D-5	4WM-22311-00	D-7	4VR-23441-00	D-9	4WM-2475H-00	D-15	4WM-25886-00	E-8	55K-2811G-00	D-3
4WM-21314-00	D-2	4WM-22312-00	D-8	4VR-23442-00	D-9	5GA-24750-00	D-15	4WM-25887-00	D-11	5GA-28315-00	E-14
4WM-21315-00	D-2	4WM-23102-00	D-10	3DM-23445-00	D-9	4WM-2478E-00	D-15	4NK-25888-00	E-13	4WM-28345-01	F-5
4WM-21316-00	D-2	4WM-23103-00	D-10	4TR-2413B-00	F-5	4JP-24780-03	D-15	4NK-2589F-00	E-8	4WM-28346-00	F-5
4WM-21317-00	D-2	4WM-23110-00	D-10	4WM-2416B-00	D-14	5GA-24786-00	D-4	4NK-2589H-00	E-8	4WM-28347-00	F-5
4WM-21318-00	D-2	4WM-23111-00	D-10	4WM-2417B-00	D-14	4WM-25104-01	E-2	31A-25894-01	E-12	5GA-28356-00	E-14
4WM-2137F-00	D-2	4NK-23121-00	D-11	4WM-24170-00	D-13	4WM-25111-00	E-2	4WM-25895-00	E-12	5GA-28357-00	E-14
5GA-2137G-00	D-2	4NK-23122-01	F-4	4WM-24180-00	D-13	4NK-2514A-00	E-3	4TT-25914-00	E-3	5GA-2840F-00	D-4
22F-2139X-00	D-8	4KM-23123-01	D-11	2GH-24181-00	D-12	4WM-2515A-00	E-3	1NL-25919-00	E-6	5GA-28473-00	E-15
4WM-21399-00	D-2	4WM-23123-00	D-11	2YK-24181-10	D-12	4NK-25181-00	E-2	4BP-25919-00	E-3	5GA-28474-00	E-15
4WM-21445-01	D-2	4NK-23125-00	D-10	2GH-24183-00	D-12	4WM-25304-01	E-4	3HE-25924-00	E-6	4WM-46241-00	E-5
4WM-2148X-00	D-13	4NK-23126-00	D-10	2GH-24186-00	D-12	4WM-25311-00	E-4	3GM-25925-00	E-6	4WM-81410-00	F-2
4WM-21570-A0	D-4	3MA-23129-10	D-10	4GY-24188-00	D-14	4WM-25364-00	E-4	3YX-25929-00	E-3	4WM-81450-00	F-2
5JA-21570-00	D-4	4NK-23135-00	D-10	4WM-2419E-00	D-14	4WM-25366-00	E-4	4TT-25937-00	E-3	4WM-81517-00	B-13
4WM-21629-00-33	D-4	4NK-23136-00	D-10	4WM-24191-00	D-12	4WM-25376-00	E-4	5GA-26111-00	E-7	4WM-81670-00	F-2
4WM-21629-00-4V	D-4	4NK-23136-00	D-10	4WM-24192-00	D-12	4WM-25377-00	E-4	4NK-26240-00	E-7	4WM-81673-00	C-9
4WM-21638-00	D-4	4NK-23144-00	D-10	4WM-24217-00	D-13	3GM-25381-A0	D-7	4NK-26241-00	E-7	3AJ-81801-00	C-7
42U-21639-00	F-4	4NK-23145-00	D-10	4WM-24240-60	D-12	4WM-25381-00	E-5	4NK-2628J-00	E-7	3HE-81809-00	C-7
5GA-2164A-00	D-4					4WM-25388-00	E-5	4NK-26280-00	E-7	4WM-81815-00	C-7
5GA-2164E-00	D-4					4WM-25389-00	E-5	4NK-26290-00	E-7	4XV-8182A-00	C-7
5GA-2164F-00	D-4					5V4-25398-00	E-2	4WM-26311-01	E-7	4WM-81842-00	F-9



NUMERICAL INDEX

PARTNO.	GRID NO.	PARTNO.	GRID NO.	PARTNO.	GRID NO.	PARTNO.	GRID NO.	PARTNO.	GRID NO.	PARTNO.	GRID NO.
11H-81844-00	C - 7	4WM-83350-00	F - 9	4NK-84721-00	F - 7	90110-06225	B - 8	90179-25033	D - 9	90209-32231	C - 10
1FK-81847-00	C - 7	57M-83358-00	F - 3	4WM-84735-00	F - 7		C - 11	90183-05068	D - 5	90214-06002	F - 9
4G0-81871-00	C - 7	42X-83363-00	F - 3	5JA-84751-00	F - 4	90110-06240	B - 10	90183-06053	D - 5	90215-08115	C - 15
4WM-81890-00	C - 7	4WM-83371-00	F - 9	11H-85110-01	F - 10	90110-08002	C - 13		D - 8	90215-25218	C - 9
4BH-81940-00	F - 12	4WM-83371-10	F - 9	1FK-85130-00	F - 4	90110-08003	C - 12	90185-10037	E - 11	90215-30233	C - 12
3EN-81950-00	F - 12	4WM-83371-20	F - 9	4WM-85752-00	F - 10	90110-08004	C - 2	90185-18104	D - 7		C - 13
5BN-81960-00	F - 12	4WM-83378-00	F - 10	4WM-85885-00	B - 12	90110-08212	C - 7	90185-18167	E - 5	90240-06146	E - 10
4SH-82100-21	F - 11	4WM-83378-10	F - 10	4WM-86110-00	F - 9	90110-10191	D - 2	90201-05033	E - 10		E - 11
3BT-82103-00	B - 13	4WM-83500-20	F - 5	90101-10001	E - 5	90111-06007	E - 13	90201-05036	F - 5	90240-08013	E - 12
4WM-82115-00	F - 11	4WM-83500-30	F - 5	90101-10659	D - 8	90111-08002	E - 11	90201-060A3	F - 6	90282-03012	B - 6
4WM-82116-00	F - 11	4WM-83513-00	F - 5	90101-12002	D - 7	90111-10003	D - 2	90201-06074	E - 15	90282-03039	B - 6
51Y-82122-00	D - 5	4WM-83517-10	F - 5	90101-12673	D - 7	90116-08065	C - 5	90201-06380	D - 15	90336-28053	D - 7
120-82131-00	F - 9	5JA-83517-00	F - 5	90101-12695	D - 8	90116-10344	C - 5	90201-065G8	F - 7	90338-06018	B - 8
4WM-82131-00	F - 11	4WM-83519-00	F - 5	90101-12746	C - 8	90116-12240	C - 5	90201-08014	E - 3	90338-08163	D - 9
4WM-82139-00	F - 11	4WM-8353E-01	F - 5	90105-08007	E - 8	90119-08001	D - 8	90201-08083	E - 12	90338-19212	E - 15
1NL-82151-00	F - 11	4WM-8353F-01	F - 5	90105-06009	E - 9	90119-06056	D - 4	90201-08086	B - 6	90340-14117	C - 4
36Y-82151-00	F - 11	4WM-83559-00	F - 5		D - 14	90119-06060	D - 4	90201-085R5	B - 13	90340-14132	C - 5
42X-82151-00	F - 11	4WM-83755-00	F - 9	90105-06010	F - 10	90119-06194	D - 5	90201-08772	E - 14		C - 11
4WM-82305-00	F - 9	3BT-83790-00	B - 13		D - 9	90119-06217	D - 8	90201-100L3	B - 6	90340-32080	C - 4
4WM-82310-00	F - 9	4WM-83912-00	F - 8		F - 11		F - 4	90201-101J1	D - 8	90340-32140	C - 12
4WM-82310-10	F - 9	4TR-83913-00	F - 8	90105-10170	D - 2	90123-08046	F - 8	90201-10118	E - 8	90384-18157	D - 7
4U8-82317-00	F - 9	5EY-83922-00	F - 8	90105-10290	B - 6	90149-05321	C - 14		E - 9	90387-050T5	D - 12
4NK-82370-00	F - 9	4TR-83945-00	F - 8	90105-10638	E - 3	90149-06011	D - 12		E - 13		F - 5
4TR-82370-00	F - 9	5BN-83973-00	F - 8		E - 6	90149-06131	F - 8	90201-10140	E - 6	90387-06028	F - 7
4WM-82501-01	F - 11	4WM-83975-01	F - 8	90105-10778	E - 11	90149-06264	F - 5	90201-120E8	E - 4	90387-061Y7	E - 15
4WM-82509-00	F - 9	3FV-83980-00	E - 8	90105-12208	D - 2	90149-06328	D - 5	90201-121H0	C - 7	90387-0610J	F - 6
4WM-8252U-00	F - 12	290-84124-21	F - 6	90105-12309	D - 2	90149-06331	B - 10	90201-126A7	D - 7	90387-0615R	D - 12
4WM-82530-00	F - 11	5BN-84154-00	F - 7	90105-12584	C - 7	90151-05001	C - 4	90201-127E1	C - 15	90387-06299	D - 12
1AE-82540-00	F - 9	4WM-84310-00	F - 6	90105-126A6	D - 2	90151-06013	C - 14	90201-127J6	D - 7	90387-06518	E - 15
4TR-82560-00	F - 12	2F9-84314-00	F - 6	90109-063F8	C - 15	90152-05005	F - 6	90201-140H8	B - 6	90387-06574	F - 7
3LD-82566-70	F - 12	4WM-84315-00	F - 6	90109-065G0	B - 2	90152-05008	E - 10	90201-14220	D - 9	90387-07391	B - 10
4WM-82568-00	F - 11	4NK-84320-00	F - 6	90109-067E6	B - 2	90157-05079	F - 12	90201-152L1	E - 12	90387-07717	D - 5
4WM-82590-00	F - 11	4WM-84330-00	F - 6	90109-080G5	F - 11	90157-06124	C - 11	90201-185R7	E - 5	90387-087A5	B - 2
4WM-82590-10	F - 11	341-84331-60	F - 6	90109-08006	E - 3	90159-06004	F - 2	90201-186M4	D - 7		B - 3
1UA-82591-00	E - 13	5G2-84332-60	F - 6	90109-083G4	E - 6	90164-04023	F - 5	90201-210U0	E - 10	90387-1007K	E - 11
	F - 11	198-84334-60	F - 6	90109-08441	C - 15	90170-06010	F - 8		E - 11	90387-1214E	D - 8
	F - 12	42X-84366-00	F - 6	90110-04255	B - 6	90170-08358	C - 15	90201-220T0	D - 9	90387-122J6	D - 7
5BN-82911-00	F - 8	4NK-84394-00	F - 6	90110-05003	B - 6	90170-10003	E - 5	90201-232K5	C - 10	90387-126T1	D - 7
3YX-82917-00	F - 8	2F9-84395-00	F - 6		C - 2	90170-20323	C - 9	90201-256K6	C - 10	90387-127W0	D - 8
4WM-83310-00	F - 3	3SX-84397-00	F - 6	90110-06004	C - 5	90176-06055	D - 12	90202-05057	B - 14	90387-202X9	E - 5
256-83311-70	F - 3	4WM-84527-00	F - 7		C - 12	90176-12052	D - 9	90202-05193	D - 12	90387-2200T	E - 2
42X-83312-00	F - 3	5BN-84553-00	F - 7	90110-06005	C - 2	90176-22081	D - 9		F - 10	90387-2208J	E - 2
42X-83313-00	F - 3	4WM-84700-00	F - 7	90110-06006	B - 7	90179-08004	C - 12	90202-06172	D - 5	90387-3015P	C - 10
4WM-83320-00	F - 3	4NK-84702-00	F - 7	90110-06022	B - 3	90179-08148	F - 8	90202-26142	D - 9	90387-304K7	C - 11
4NK-83321-00	F - 4	5KS-84703-00	F - 4	90110-06023	B - 3	90179-08442	B - 14	90209-06096	C - 13	90401-08176	B - 9
42X-83330-K0	F - 3	256-84714-60	F - 7	90110-06114	F - 9	90179-14469	B - 6	90209-06250	B - 10	90401-10159	E - 8
42X-83340-K0	F - 3	256-84714-61	F - 3	90110-06222	B - 9	90179-22698	C - 12	90209-25196	C - 10		E - 9
4NK-83345-00	F - 4	4WM-84717-00	F - 7		C - 11		C - 13	90209-27192	C - 10		E - 13

NUMERICAL INDEX

PARTNO.	GRID NO.	PARTNO.	GRID NO.	PARTNO.	GRID NO.	PARTNO.	GRID NO.	PARTNO.	GRID NO.	PARTNO.	GRID NO.
90401-10175	B-9	90464-60067	F-12	91314-06040	B-3	92902-04100	F-6	93210-54452	B-6	94215-16311	E-4
90401-20145	B-9	90465-08127	F-9		C-2	92904-08600	B-14	93210-750A1	C-5	94313-16179	E-2
90413-07007	B-11	90467-08092	B-15	91314-06045	B-2	92907-03100	F-5	93210-77040	B-10	94315-16177	E-4
90430-05126	C-2	90467-10008	B-9		C-4	92907-03600	F-5	93210-92448	C-12	94315-16178	E-4
90430-06014	C-5	90467-10041	B-10	91314-06050	B-3	92907-04100	E-8	93305-20607	C-10	94330-16176	E-2
90430-06016	C-12		B-11		C-12	92907-04600	E-8	93306-00304	C-9	94430-16608	E-2
90430-08119	B-9		D-13	91314-06060	C-2	92907-05200	B-14	93306-00416	E-4	94435-16609	E-4
	C-2		D-14		C-4	92907-06100	D-15	93306-00420	E-2	94701-00262	B-2
	C-11	90467-12053	B-3	91314-06065	B-3	92907-06600	B-14	93306-20550	C-10	94701-00379	B-2
90430-10188	B-9	90467-13042	B-3		C-5		B-15	93306-20551	E-4	95024-06010	D-4
90445-110G7	B-10	90467-13083	B-11	91314-06070	C-4		D-5	93306-20601	C-11	95024-06012	F-4
90445-112K5	D-13		D-13	91314-06075	C-2	92907-08600	C-8	93306-20715	C-11	95024-06030	F-3
90445-146K8	B-11	90467-14057	E-12	91314-06085	C-2	92990-06600	B-14	93306-30416	E-4	95024-08012	C-2
90446-07114	F-4	90467-19065	B-14	91314-06105	C-2	93102-12224	C-4	93306-30441	C-10		D-4
90450-58001	B-10	90468-07179	E-7	91314-08025	D-4	93102-15212	C-8	93306-37806	C-10		D-15
90450-67001	B-10	90468-08104	B-15		D-9	93102-40330	C-11	93306-90602	C-14	95027-06008	F-12
90461-10132	E-8	90480-13567	B-11	91314-08050	C-12	93103-38184	C-10	93315-11206	C-4	95027-06010	B-15
	E-9		D-5	91314-08080	C-2	93104-08089	C-5	93315-31502	C-8		F-4
	E-13	90480-14023	B-10	91314-08100	C-2	93106-28043	E-2	93317-11020	C-8	95027-06012	D-5
90461-15100	D-13	90480-15061	D-4	91317-06010	C-5	93106-30004	E-4	93317-31771	D-7	95027-06016	F-6
90462-06003	C-13	90480-16233	F-6	91317-06016	B-9	93106-30029	E-4	93317-32677	E-4	95027-06025	F-6
90462-20248	B-14	90480-20132	E-15	91317-06020	B-8	93109-17071	D-7	93317-41761	D-7	95304-08700	C-15
90464-05188	F-12	90480-20338	E-15		B-10	93210-06667	B-8	93317-42060	D-7	95307-06600	F-7
90464-07209	F-11	90501-06022	C-14	91317-06025	C-12	93210-07003	B-9	93317-42550	D-7	95307-08700	E-12
90464-08263	F-11	90501-10312	F-8	91317-06030	C-12	93210-08006	B-9	93332-00001	D-9	95604-06100	E-8
90464-10075	D-13	90506-08227	C-15	91317-06040	E-12	93210-09165	B-8	93332-00008	D-9		F-8
	E-7	90506-20534	E-11	91317-06080	B-8	93210-13657	B-8	93410-25017	C-10	95607-05100	B-14
90464-10190	E-7	90506-29358	E-11	91317-06080	B-8	93210-14369	C-4	93440-11024	C-7		E-10
	F-8	90507-14064	C-15	91401-16012	E-12	93210-15171	B-8	93440-12052	B-2	95607-08200	E-11
	F-12	90508-186B1	E-12	91401-20012	E-12	93210-16325	B-8	93440-28062	C-10		E-12
90464-11001	B-11	90560-20339	E-4	91401-20015	E-10	93210-16629	B-8	93440-30077	C-10	95607-10200	D-2
90464-11201	B-10	90560-30234	C-14		E-11	93210-18397	D-7	93440-34025	C-10	95607-12200	D-2
90464-12045	F-12	91314-06014	F-9	91492-12008	B-12	93210-18397	D-7	93450-24028	B-4		D-8
90464-12224	B-11	91314-06016	C-3	91701-06022	E-12	93210-22382	C-2	93450-35015	E-4	95614-12100	E-4
90464-13073	F-11	91314-06020	B-8	91808-16023	B-2	93210-23326	B-9	93603-07073	C-11	95617-08625	B-2
90464-13249	D-14		C-8		B-3		C-12	93603-10049	C-11	95617-10100	D-8
90464-15192	D-13		C-15		B-3	93210-27370	C-12	93604-12037	C-14	95617-12100	D-7
	E-13	91314-06025	C-4		C-4	93210-29196	F-9	93604-16092	C-14	95617-12630	E-4
	F-8		C-5	92014-05010	C-2	93210-30660	C-10	93606-10227	C-5	95704-06500	F-3
	F-11		C-7	92014-06010	C-12		C-11	93606-10227	C-5	95707-05500	D-12
	F-12		C-11	92014-06012	F-9		C-4	93606-76259	C-13		F-4
90464-18266	F-9		E-8	92014-08025	E-12	93210-32172	C-12	94113-1614F	E-2		F-10
90464-20181	F-11	91314-06030	C-5	92014-08035	E-14		C-3	94113-1614H	E-2	95707-06500	D-5
90464-20191	F-11		D-9	92017-06012	F-9	93210-37532	B-6	94115-1614G	E-4		F-10
90464-24230	F-11	91314-06035	B-3	92017-06025	E-15	93210-472A9	C-11	94115-1614J	E-4	95707-08500	E-8
90464-25217	D-13		C-4	92017-06030	E-15	93210-48214	B-6	94213-16305	E-2		E-9
	E-7		C-5	92017-10020	D-2	93210-48364	B-10	94213-16306	E-2	95804-08020	E-14
90464-32060	F-12		C-15	92017-10030	E-10	93210-505A4	B-6	94215-16310	E-4	95804-10025	E-14

M4

NUMERICAL INDEX

PARTNO.	GRID NO.	PARTNO.	GRID NO.	PARTNO.	GRID NO.	PARTNO.	GRID NO.	PARTNO.	GRID NO.
95807-06010	D- 5	98507-05020	F- 5						
95807-06012	C- 13	98507-06010	B- 14						
	D- 15		B- 15						
	E- 13		C- 4						
95807-06014	D- 5	98507-06014	D- 5						
95807-06016	D- 14	98507-06035	F- 2						
	D- 15	98517-06012	B- 14						
95807-06020	F- 9	98580-05025	F- 8						
	F- 12	98707-03020	F- 8						
95807-06025	D- 12	98904-06014	B- 10						
95807-08050	E- 15	98907-05012	D- 13						
95814-08016	C- 11	99001-06600	E- 10						
95814-08050	C- 13	99001-07600	C- 8						
95817-06016	F- 10	99001-10600	C- 15						
95817-08045	C- 7	99009-15400	E- 12						
95827-06012	D- 15	99009-52500	E- 4						
	F- 9	99247-00080	D- 4						
	F- 10	99480-10018	C- 13						
95827-06130	D- 12	99530-10114	C- 4						
95827-10016	D- 2		C- 5						
95827-10025	D- 2		C- 11						
95827-10035	D- 2		C- 12						
95827-10050	E- 6	99530-14016	C- 2						
97004-06020	F- 8								
97007-06016	D- 15								
97007-06020	D- 15								
97007-06025	C- 9								
97024-08025	B- 14								
97080-06008	B- 14								
97707-40010	F- 5								
97707-40016	F- 5								
97707-40516	F- 7								
97707-50525	B- 10								
97707-60540	B- 10								
97780-40525	F- 7								
97801-03008	D- 12								
98502-04008	F- 6								
98504-05012	B- 11								
98504-05025	F- 8								
98507-03008	F- 5								
98507-04008	B- 12								
98507-04010	B- 13								
98507-04012	E- 8								
98507-05008	B- 13								
	D- 13								
	E- 7								
98507-05010	B- 13								
	F- 11								

M5