

**YAMAHA**



**PARTS  
CATALOGUE**

**YFM350FWXL (4KBD) U49**

**YFM350FWXL (4KBE) CANADA**

**YFM350FWX'98 (4KBF) EUROPE**

**YAMAHA**  
**GENUINE**  
Parts & Accessories

194KB-100E1

A2



A3

## FOREWORD

This Parts Catalogue is related to the parts for the model(s) below. When you are ordering replacement parts, please refer to this Parts Catalogue and quote both part numbers and part names correctly.

YFM350FWXL(4KBD/E).YFM350FWX'98(4KBF)

1. Modifications or additions which have been made after issue of the Parts Catalogue will be announced in the Yamaha Parts News. It is advisable that you make necessary corrections to the Parts Catalogue according to the Yamaha Parts News.
2. Abbreviations  
The Following abbreviations are used in this Parts Catalogue.  
 "UR" Use specified parts number.  
 "UN" Use as many as needed.  
 "AP" Alternate Parts  
 "LM" Local Made (Parts need to be ordered locally)  
 "F#" Frame No. (Applicable machine No.)
3. Parts, which are to be supplied in an assembly, are listed with a dot(.) in front of the part name as shown below.

**EXAMPLE**

CARBURETOR ASSY  
 .JET, PILOT  
 .NOZZLE, MAIN

4. Number of component for assembly  
The numeral appearing to the right of each component part indicates the quantity of parts for each assembly unit.

**EXAMPLE**

PART NO.	DESCRIPTION	Q'TY	REMARKS
2F5-83310-60	FRONT FLASHER LIGHT ASSY	2	
115-83311-60	.BULB (6V-18W)	1	
1M1-83309-60	.REFLECTOR	1	

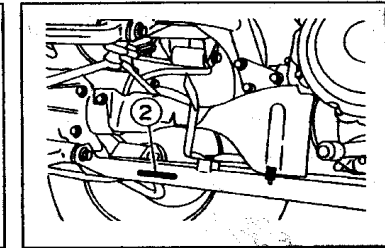
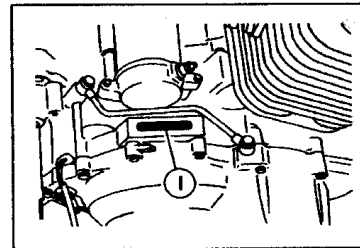
5. Applicable colors of graphics are represented in the "REMARKS" as shown below.

PART NO.	DESCRIPTION	Q'TY	REMARKS
2N4-24110-00-X5	.FUEL TANK COMP.	2	MXR
3J1-24240-10	.GRAPHIC, FUEL TANK	1	for MXR

6. Applicable Serial No.

① Engine Serial No.

② Frame Serial No.

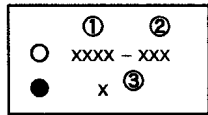


7. Note that the illustrations for reference in finding parts numbers, not to be used for assembling. When assembling, please use the applicable service manual.
8. The asterisk (\*) before a reference number indicates modification items after the first edition.

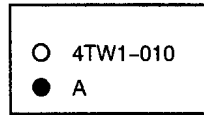
# MODEL LABEL

(1) A label called "Model Label" is affixed in the location as indicated in (3) below. When using this parts catalogue, please be sure to cross-refer the "model code - production code No." in the catalogue to the "model code - production code No." indicated on the Model Label affixed onto the product concerned.

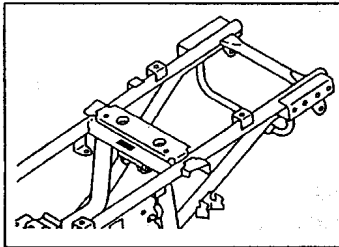
(2) "Model Label" Indication



- ① Model Type Code
- ② Production Code No.
- ③ Colouring Type



(3) Model Label Affixing Location



(4) Model Code - Production Code Number of Model Listed in this Parts Catalogue.

Model Code	Production Code No.	Country (destination)	Model Code	Production Code No.	Country (destination)
4KBD	010	U49			
4KBE	010	CANADA			
4KBF	010	FRANCE			
4KBF	020	SWITZERLAND			
4KBF	030	ENGLAND			

(5) Colouring Information

Model Code	Colouring type code	Colour code	Colour Name	Abbreviation
4KBD	A	00K0	PASTEL DEEP GREEN	PDG
4KBD/E	B	0583	DEEP PURPLISH BLUE SOLID E	DPBSE
4KBE	C	00TR	ROMANTIQUE ROUGE	RTR

# CONTENTS

## ENGINE

CYLINDER HEAD .....	B2
CYLINDER .....	B4
CRANKSHAFT. PISTON .....	B5
VALVE .....	B6
CAMSHAFT. CHAIN .....	B7
OIL PUMP .....	B8
INTAKE .....	B10
CARBURETOR .....	B11
EXHAUST .....	B13
CRANKCASE .....	B14
CRANKCASE COVER 1 .....	B15
CRANKCASE COVER 2 .....	C2
STARTER .....	C4
STARTER CLUTCH .....	C5
CLUTCH .....	C6
TRANSMISSION .....	C7
MIDDLE DRIVE GEAR .....	C9
SHIFT CAM. FORK .....	C11

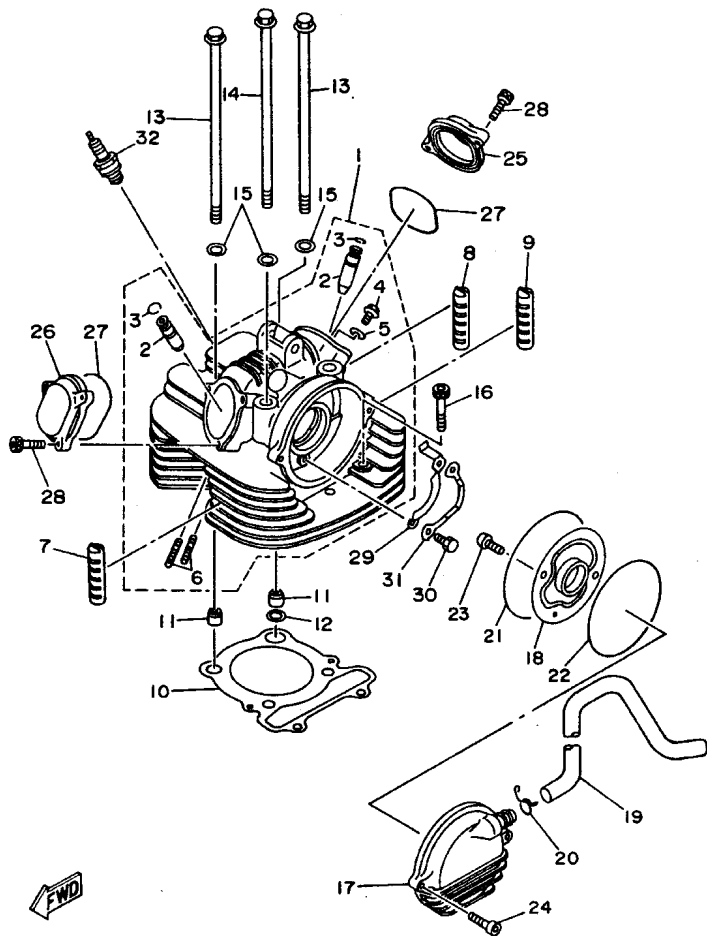
## CHASSIS

FRAME .....	C13
FRONT FENDER .....	C15
REAR FENDER .....	D2
REAR ARM .....	D3
DRIVE SHAFT .....	D4
FRONT DIFFERENTIAL .....	D6
REAR SUSPENSION .....	D10
FRONT SUSPENSION. WHEEL .....	D11
STEERING .....	D12
FUEL TANK .....	D13
SEAT .....	D14
FRONT WHEEL .....	D15

FRONT BRAKE CALIPER .....	E4
REAR WHEEL .....	E5
REAR BRAKE CALIPER .....	E6
STEERING HANDLE. CABLE .....	E7
FRONT MASTER CYLINDER .....	E9
FRONT MASTER CYLINDER 2 .....	E10
STAND. FOOTREST .....	E11
REAR MASTER CYLINDER .....	E12
GUARD .....	E13
GENERATOR .....	E14
GENERATOR 2 .....	E15
STARTING MOTOR .....	F2
HEADLIGHT .....	F3
TAILLIGHT .....	F4
TAILLIGHT 2 .....	F5
HANDLE SWITCH. LEVER .....	F6
ELECTRICAL 1 .....	F8
ELECTRICAL 2 .....	F10
EMBLEM.LABEL 1 .....	F11
EMBLEM.LABEL 2 .....	F12
EMBLEM.LABEL 3 .....	F14
ALTERNATE (METER) .....	F15

## INDEX

NUMERICAL INDEX .....	M1
-----------------------	----

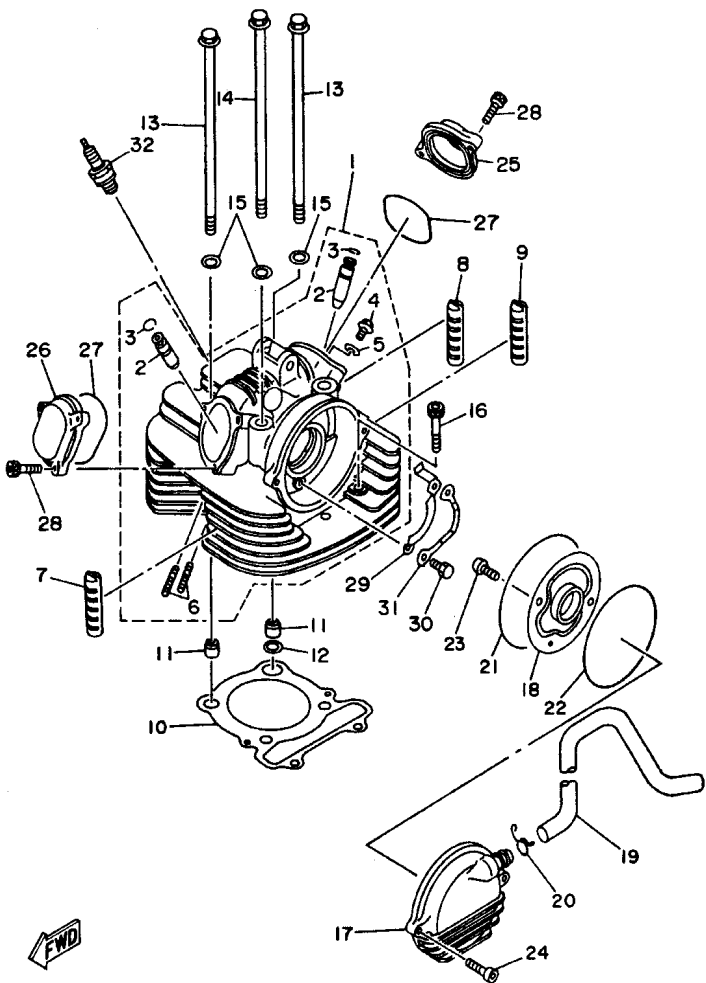


4KB1100-5010

FIG. 1 CYLINDER HEAD

REF. NO.	PART NO.	DESCRIPTION	UAG	CAN	EUR	REMARKS
1	1UY-11110-02	CYLINDER HEAD ASSY	1	1	1	
2	3Y1-11133-11	.GUIDE, INTAKE VALVE	2	2	2	
3	93440-12052	.CIRCLIP	2	2	2	
4	90401-06001	.BOLT, UNION	1	1	1	
5	90430-06192	.GASKET	1	1	1	
6	90116-06503	.BOLT, STUD	2	2	2	
7	3Y1-11127-00	ABSORBER 3	8	8	8	
8	31G-11161-00	ABSORBER 1	2	2	2	
9	31G-11127-00	ABSORBER 3	2	2	2	
10	1UY-11181-00	GASKET, CYLINDER HEAD 1	1	1	1	
11	99530-14016	PIN, DOWEL	2	2	2	
12	90430-14131	GASKET	1	1	1	
13	90105-10421	BOLT, WASHER BASED	2	2	2	
14	90105-10422	BOLT, WASHER BASED	2	2	2	
15	90201-10128	WASHER, PLATE	4	4	4	
16	91317-08050	BOLT	2	2	2	
17	4KB-11160-00	BREATHER ASSY	1	1	1	
18	4KB-11165-00	PLATE, BREATHER	1	1	1	
19	4KB-11166-00	PIPE, BREATHER 1	1	1	1	
20	90467-14015	CLIP	1	1	1	
21	93211-06635	O-RING	1	1	1	
22	93210-92448	O-RING	1	1	1	
23	92017-06012	BOLT, BUTTON HEAD	2	2	2	
24	91317-06025	BOLT	2	2	2	
25	2NL-11186-00	COVER, CYLINDER HEAD SIDE 2	1	1	1	
26	2NL-11187-00	COVER, CYLINDER HEAD SIDE 3	1	1	1	
27	93210-57634	O-RING	2	2	2	

FIG. 1 CYLINDER HEAD

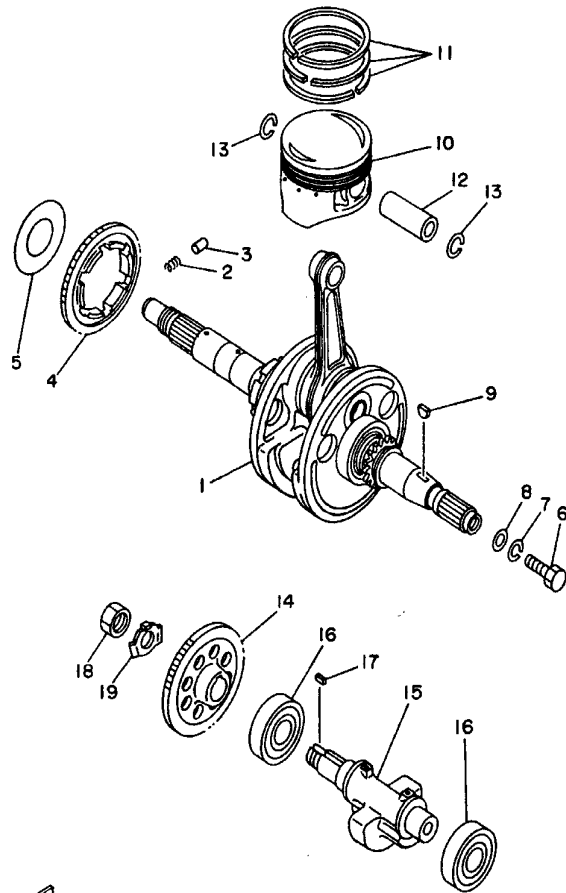


4KB1100-5010

REF. NO.	PART NO.	DESCRIPTION	U49	CAN	EUR	REMARKS
28	91317-06020	BOLT	5	5	5	
29	3Y1-1111F-00	PLATE	1	1	1	
30	97007-06012	BOLT	2	2	2	
31	90215-06162	WASHER, LOCK	1	1	1	
32	94701-00157	PLUG, SPARK (NGK D8EA)	1			UR
	94701-00181	PLUG, SPARK (ND X24ES-U)	1			UR
	94701-00333	PLUG, SPARK (NGK DR8EA)		1	1	UR



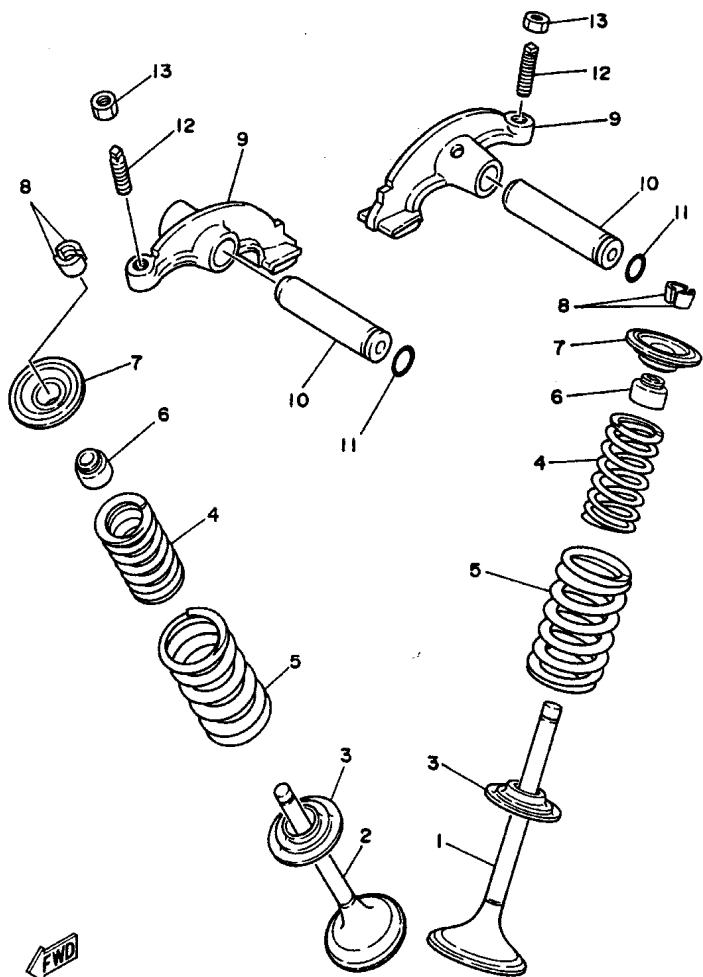




**FWD**  
4KB1100-5030

**FIG. 3 CRANKSHAFT. PISTON**

REF. NO.	PART NO.	DESCRIPTION	U49	CAN	EUR	REMARKS
1	4KB-11400-00	CRANKSHAFT ASSY	1	1	1	
2	90501-22721	SPRING, COMPRESSION	6	6	6	
3	93605-10090	PIN, DOWEL	3	3	3	
4	3Y1-11531-01	GEAR, BALANCE (43T)	1	1	1	
5	4KB-11565-00	WASHER, BEARING COVER	1	1	1	
6	90101-10568	BOLT	1	1	1	
7	92907-10100	WASHER, SPRING	1	1	1	
8	90201-10144	WASHER, PLATE	1			
	90201-107F8	WASHER, PLATE		1	1	
9	90280-05048	KEY, WOODRUFF	1	1	1	
10	1UY-11631-01-Y0	PISTON (STD)	1	1	1	
	1UY-11636-01	PISTON (0.50MM O/S)	1	1	1	AP
	1UY-11638-01	PISTON (1.00MM O/S)	1	1	1	AP
11	4GB-11610-00	PISTON RING SET (STD)	1	1	1	
	4GB-11610-20	PISTON RING SET (0.50MM O/S)	1	1	1	AP
	4GB-11610-40	PISTON RING SET (1.00MM O/S)	1	1	1	AP
12	55V-11633-00	PIN, PISTON	1	1	1	
13	93450-19095	CIRCLIP	2	2	2	
14	4KB-11536-00	GEAR, DRIVE	1	1	1	
15	1UY-11454-00	WEIGHT 1	1	1	1	
16	93306-20532	BEARING	2	2	2	
17	90282-05034	KEY, STRAIGHT	1	1	1	
18	90170-16326	NUT	1	1	1	
19	90215-16270	WASHER, LOCK	1	1	1	

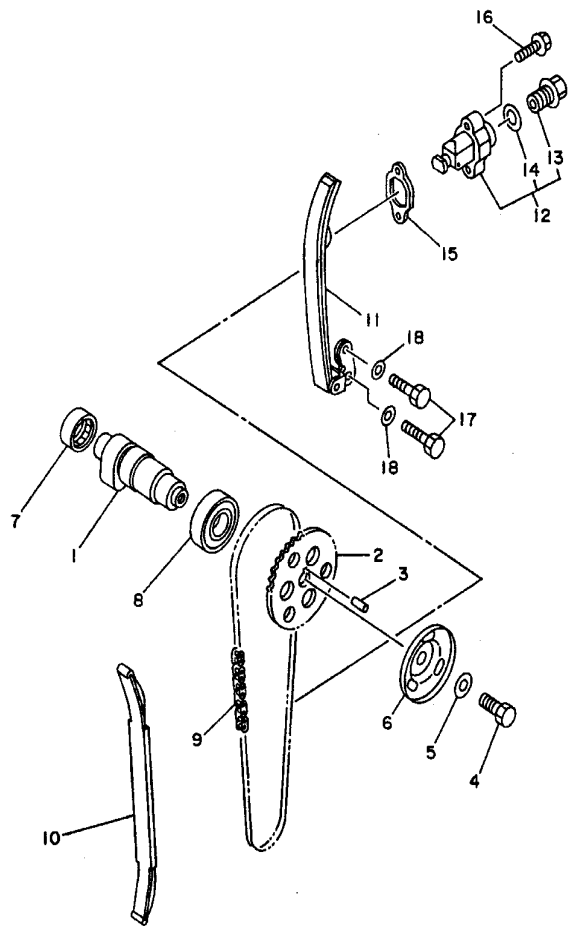


3GD3110-9040

FIG. 4 VALVE

REF. NO.	PART NO.	DESCRIPTION	U49	CAN	EUR	REMARKS
1	1UY-12111-01	VALVE, INTAKE	1	1	1	
2	1UY-12121-01	VALVE, EXHAUST	1	1	1	
3	3Y1-12116-00	SEAT, VALVE SPRING	2	2	2	
4	22U-12113-00	SPRING, VALVE INNER	2	2	2	
5	1UY-12114-01	SPRING, VALVE OUTER	2	2	2	
6	M01-12129-00	SEAL, VALVE STEM	2	2	2	
7	3Y1-12117-01	RETAINER, VALVE SPRING	2	2	2	
8	1J7-12118-00	COTTER, VALVE	4	4	4	
9	3GD-12151-00	ARM, VALVE ROCKER	2	2	2	
10	3Y1-12156-00	SHAFT, ROCKER 2	2	2	2	
11	93210-09165	O-RING	2	2	2	
12	31G-12159-02	SCREW, VALVE ADJUSTING	2	2	2	
13	31G-12158-00	NUT, LOCK	2	2	2	

**B6**



4KB1100-5050

FIG. 5 CAMSHAFT. CHAIN

REF. NO.	PART NO.	DESCRIPTION	U49	CAN	EUR	REMARKS
1	1UY-12170-00	CAMSHAFT ASSY 1	1	1	1	
2	3HN-12176-00	SPROCKET, CAM CHAIN	1	1	1	
3	93604-10011	PIN, DOWEL	1	1	1	
4	90101-10303	BOLT	1	1	1	
5	90201-10591	WASHER, PLATE	1	1	1	
6	4KB-11145-00	PLATE, BREATHER 2	1	1	1	
7	93315-32516	BEARING	1	1	1	
8	93306-00515	BEARING	1	1	1	
9	94500-02090	CHAIN (BF05M 90L)	1	1	1	
10	3Y1-12231-01	GUIDE, STOPPER 1	1	1	1	
11	4KB-12241-00	GUIDE, STOPPER 2	1	1	1	
12	31G-12210-01	TENSIONER ASSY, CAM CHAIN	1	1	1	
13	31G-12222-00	.PLUG	1	1	1	
14	31G-12214-00	.GASKET	1	1	1	
15	3GD-12213-00	GASKET, TENSIONER CASE	1	1	1	
16	95027-06025	BOLT, FLANGE	2	2	2	
17	97027-06016	BOLT	2	2	2	
18	92907-06600	WASHER, PLATE	2	2	2	

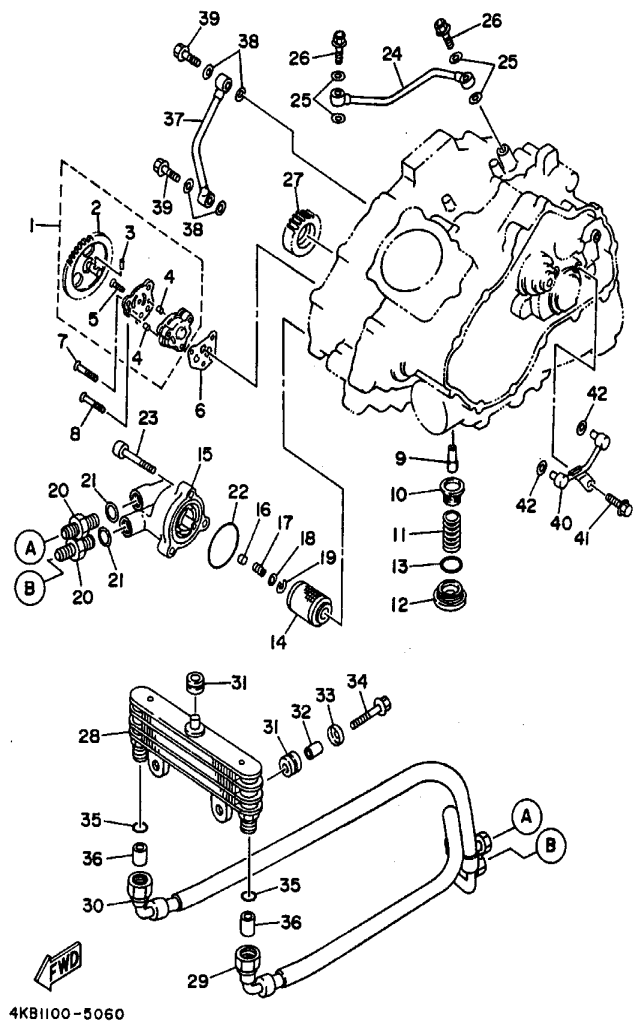


FIG. 6 OIL PUMP

REF. NO.	PART NO.	DESCRIPTION	U49	CAN	EUR	REMARKS
1	1UY-13300-00	OIL PUMP ASSY	1	1	1	
2	1UY-13326-00	.GEAR, PUMP DRIVEN 2	1	1	1	
3	93603-12030	.PIN, DOWEL	1	1	1	
4	93603-07073	.PIN, DOWEL	2	2	2	
5	90151-06010	.SCREW, COUNTERSUNK	1	1	1	
6	3GD-13329-00	GASKET, PUMP COVER	1	1	1	
7	98707-06030	SCREW, FLAT HEAD	2	2	2	
8	90151-06058	SCREW, COUNTERSUNK	1	1	1	
9	2XK-13416-00	PIPE, OIL 1	1	1	1	
10	51Y-13411-00	STRAINER, OIL	1	1	1	
11	90501-18576	SPRING, COMPRESSION	1	1	1	
12	30X-15351-00	PLUG, DRAIN	1	1	1	
13	93210-35520	O-RING	1	1	1	
14	1UY-13440-02	ELEMENT ASSY, OIL CLEANER	1	1	1	
15	4KB-13447-00	COVER, OIL ELEMENT	1	1	1	
16	1YW-13497-00	PLUG	1	1	1	
17	90501-082E3	SPRING, COMPRESSION	1	1	1	
18	92907-06600	WASHER, PLATE	1	1	1	
19	93420-13073	CIRCLIP	1	1	1	
20	51Y-13132-50	JOINT	2	2	2	
21	90430-14043	GASKET	2	2	2	
22	93210-54452	O-RING	1	1	1	
23	90110-06224	BOLT, HEXAGON SOCKET HEAD	3	3	3	
24	4KB-13171-00	PIPE, DELIVERY 2	1	1	1	
25	90430-08119	GASKET	4	4	4	
26	90401-08038	BOLT, UNION	2	2	2	
27	4KB-13324-00	GEAR, PUMP DRIVE	1	1	1	

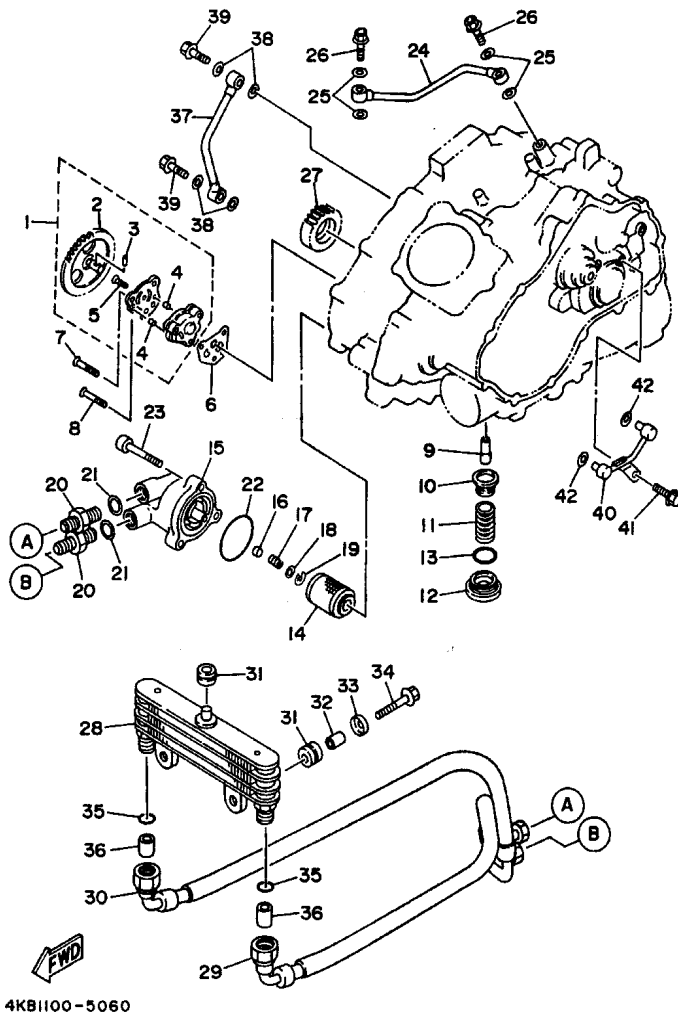
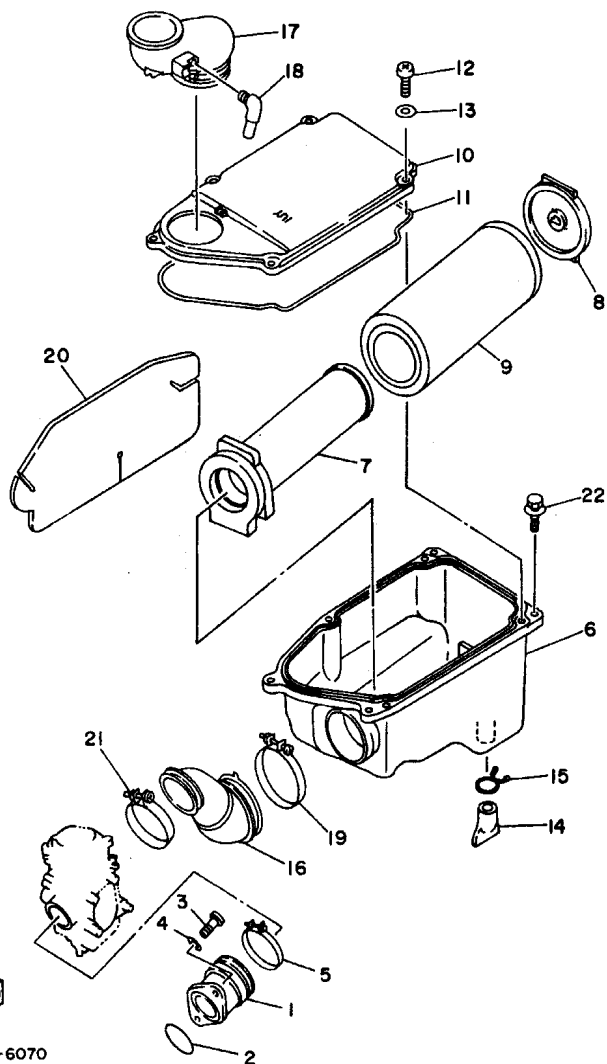


FIG. 6 OIL PUMP

REF. NO.	PART NO.	DESCRIPTION	U49	CAN	EUR	REMARKS
28	4KB-13470-00	OIL COOLER ASSY	1	1	1	
29	4KB-13464-00	HOSE, OIL 1	1	1	1	
30	4KB-13465-00	HOSE, OIL 2	1	1	1	
31	90480-15235	GROMMET	3	3	3	
32	90387-060A7	COLLAR	2	2	2	
33	90209-06174	WASHER	2	2	2	
34	95807-06020	BOLT, FLANGE	2	2	2	
35	93210-12152	O-RING	2	2	2	
36	93612-16254	PIN, DOWEL	2	2	2	
37	4KB-13161-01	PIPE, DELIVERY 1	1	1	1	
38	90430-08119	GASKET	4	4	4	
39	90401-08117	BOLT, UNION	2	2	2	
40	4KB-13181-00	PIPE, DELIVERY 3	1	1	1	
41	95027-06012	BOLT, FLANGE	1	1	1	
42	93210-06632	O-RING	2	2	2	

**B9**

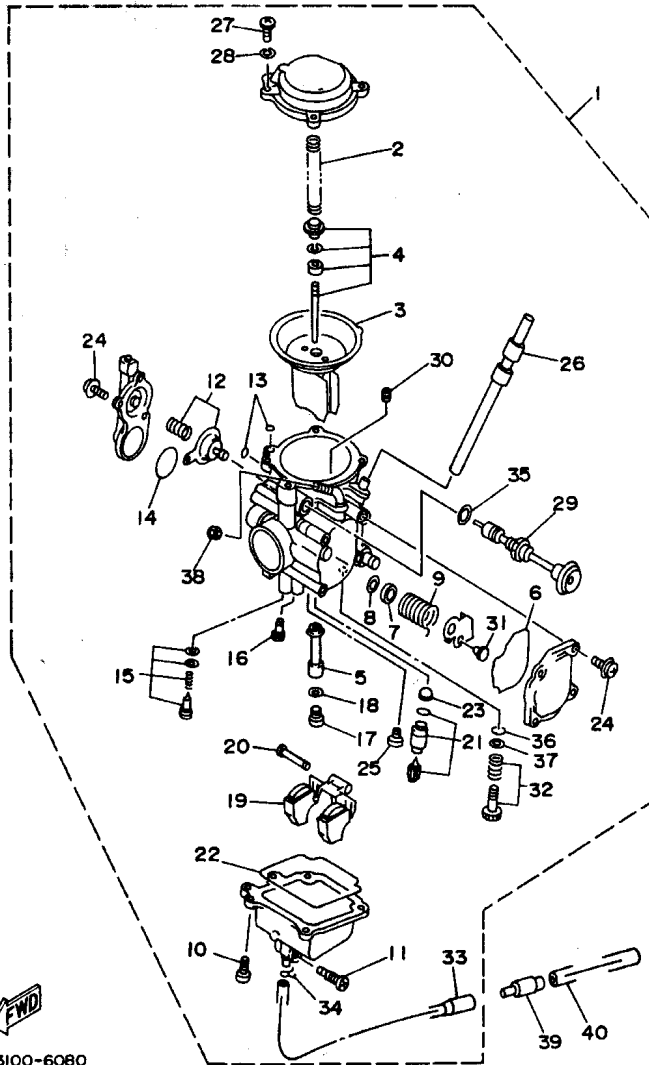
FIG. 7 INTAKE



4K83100-6070

REF. NO.	PART NO.	DESCRIPTION	U49	CAN	EUR	REMARKS
1	4KB-13586-01	JOINT, CARBURETOR 1	1	1	1	
2	93210-44545	O-RING	1	1	1	
3	91317-08025	BOLT	2	2	2	
4	90201-08085	WASHER, PLATE	2	2	2	
5	90450-49020	HOSE CLAMP ASSY	4	4	4	
6	1UY-14411-01	CASE, AIR CLEANER 1	1	1	1	
7	1UY-14458-01	GUIDE	1	1	1	
8	1UY-14468-00	PLATE, ELEMENT FITTING	1	1	1	
9	1UY-14451-00	ELEMENT, AIR CLEANER	1	1	1	
10	1UY-14412-01	CAP, CLEANER CASE 1	1	1	1	
11	10M-14457-00	SEAL	1	1	1	
12	98507-05016	SCREW, PAN HEAD	5	5	5	
13	92907-05600	WASHER, PLATE	5	5	5	
14	59V-14457-00	SEAL	1	1	1	
15	90467-22080	CLIP	1	1	1	
16	4KB-14453-00	JOINT, AIR CLEANER 1	1	1	1	
17	1UY-14437-01	DUCT	1	1	1	
18	31A-14419-00	PIPE	1	1	1	
19	90460-75020	CLAMP, HOSE	1	1	1	
20	3GD-1442F-00	PROTECTOR	1	1	1	
21	90460-56105	CLAMP, HOSE	1	1	1	
22	90119-06063	BOLT, WITH WASHER	3	3	3	

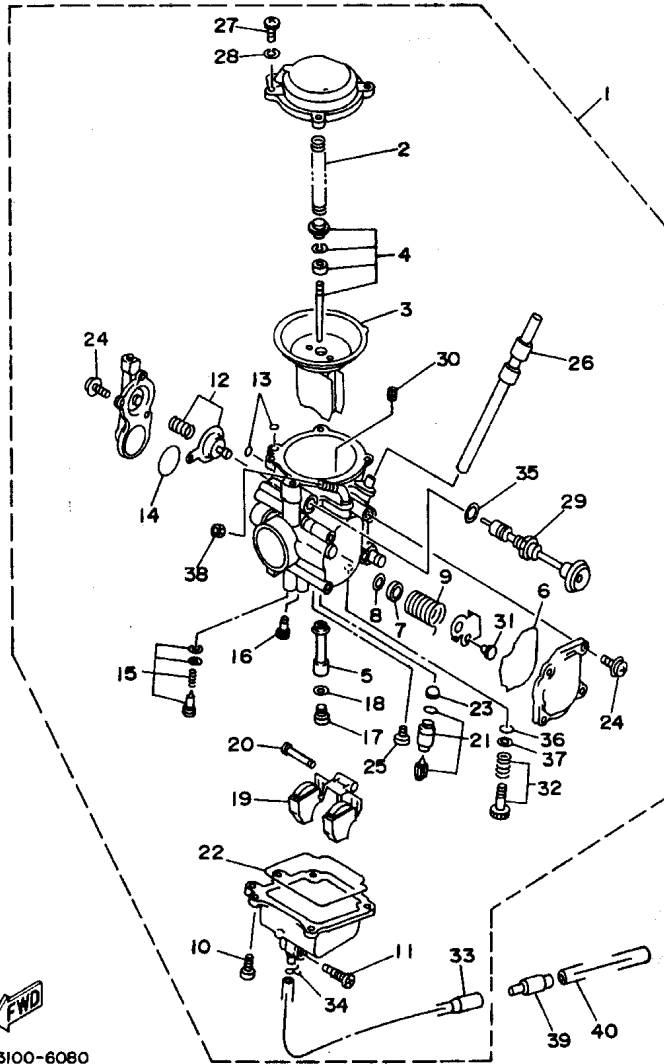
FIG. 8 CARBURETOR



4KB3100-6080

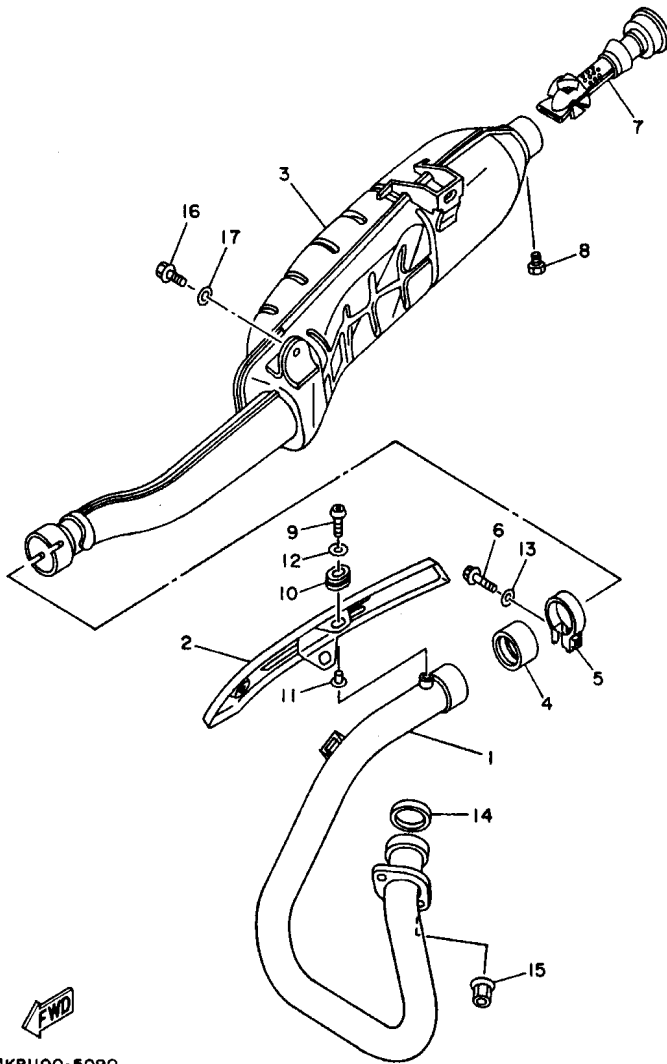
REF. NO.	PART NO.	DESCRIPTION	U49	CAN	EUR	REMARKS
1	4KB-14901-10	CARBURETOR ASSY 1	1	1	1	
2	2LN-14933-00	.SPRING, DIAPHRAGM	1	1	1	
3	4KB-14940-00	.DIAPHRAGM ASSY	1	1	1	
4	4KB-1490J-11	.NEEDLE SET	1	1	1	
5	4KB-1414N-40	.NOZZLE, MAIN	1	1	1	
6	4KB-14147-00	.O-RING	1	1	1	
7	4KB-14264-00	.COLLAR	1	1	1	
8	2A2-14997-00	.SEAL	2	2	2	
9	4KB-14275-00	.SPRING	1	1	1	
10	98507-04012	.SCREW, PAN HEAD	4	4	4	
11	12R-14191-00	.PLUG, DRAIN	1	1	1	
12	26H-1490H-00	.DIAPHRAGM SET 5	1	1	1	
13	878-14147-00	.O-RING	2	2	2	
14	558-14147-00	.O-RING	1	1	1	
15	12R-14105-00	.PILOT SCREW SET	1	1	1	
16	4G0-14142-42	.JET, PILOT (# 42.5)	1	1	1	
17	620-14231-28	.JET, MAIN (#140)	1	1	1	
18	137-14153-00	.WASHER, MAIN JET	1	1	1	
19	2VA-14185-00	.FLOAT	1	1	1	
20	537-14186-00	.PIN, FLOAT	1	1	1	
21	1UY-14107-20	.NEEDLE VALVE SET	1	1	1	
22	2LN-14147-00	.O-RING	1	1	1	
23	1J7-14994-00	.NET, FILTER	1	1	1	
24	1UY-14565-00	.SCREW	7	7	7	
25	2LN-14565-00	.SCREW	1	1	1	
26	4KB-14197-00	.PIPE	1	1	1	
27	98506-04016	.SCREW, PAN HEAD	4	4	4	

FIG. 8 CARBURETOR



REF. NO.	PART NO.	DESCRIPTION	U49	CAN	EUR	REMARKS
28	92906-04100	.WASHER, SPRING	4	4	4	
29	4KB-14993-00	.PLUNGER, STARTER	1	1	1	
30	2A2-14172-16	.PILOT JET, AIR (1.0)	1	1	1	
31	1UY-14155-00	.GUIDE, CABLE	1	1	1	
32	4KB-14103-00	.THROTTLE SCREW SET	1	1	1	
33	4KB-14193-20	.PIPE	1	1	1	
34	14X-14937-00	.CLIP	1	1	1	
35	4KB-14285-00	.WASHER	1	1	1	
36	2H0-14147-00	.O-RING	1	1	1	
37	22U-14952-00	.WASHER	1	1	1	
38	522-14161-00	.NUT, CABLE ADJUSTING	1	1	1	
39	24W-14193-00	PIPE	1	1	1	
40	91A20-07010	TUBE, FLEXIBLE VINYL	1	1	1	



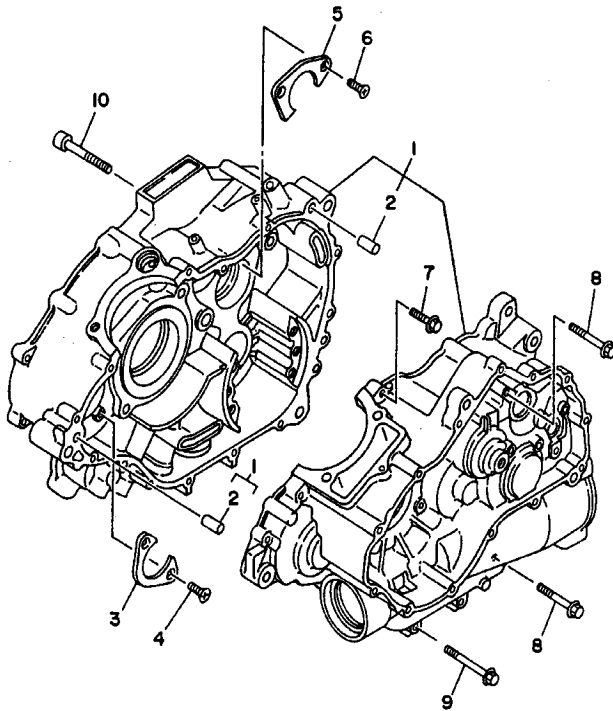


4KB1100-5090

FIG. 9 EXHAUST

REF. NO.	PART NO.	DESCRIPTION	U49	CAN	EUR	REMARKS
1	4KB-14611-00	PIPE, EXHAUST 1	1	1	1	
2	4KB-14628-00	PROTECTOR, EXHAUST PIPE	1	1	1	
3	4KB-14711-01	MUFFLER 1	1	1	1	
4	3YF-14755-00	GASKET, SILENCER	1	1	1	
5	1UY-14715-00	BAND, MUFFLER	1	1	1	
6	95817-08045	BOLT, FLANGE	1	1	1	
7	21V-14752-00	PIPE, OUTLET	1	1	1	
8	97007-06008	BOLT	1	1	1	
9	92017-06014	BOLT, BUTTON HEAD	3	3	3	
10	90480-01590	GROMMET	3	3	3	
11	90387-062L2	COLLAR	3	3	3	
12	90201-06059	WASHER, PLATE	3	3	3	
13	90201-086J0	WASHER, PLATE	1	1	1	
14	3GD-14613-00	GASKET, EXHAUST PIPE	1	1	1	
15	90179-06668	NUT	2	2	2	
16	95817-08016	BOLT, FLANGE	2	2	2	
17	90201-08326	WASHER, PLATE	2	2	2	

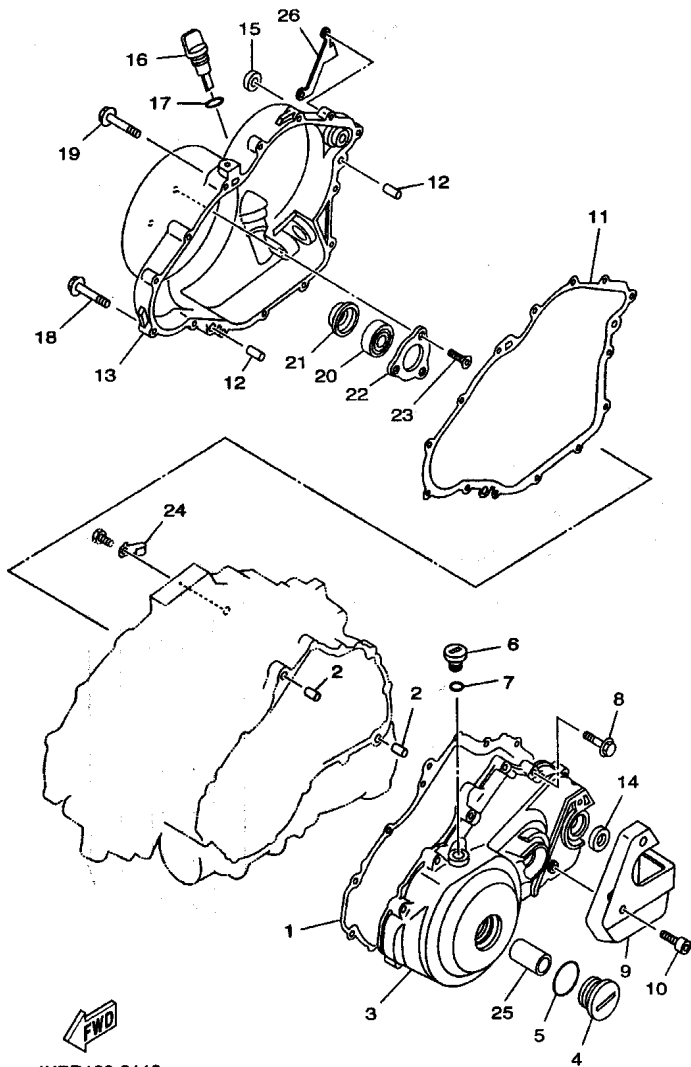
FIG. 10 CRANKCASE



REF. NO.	PART NO.	DESCRIPTION				REMARKS
			U49	CAN	EUR	
1	4KB-15100-03	CRANKCASE ASSY	1	1	1	
2	99530-10014	.PIN, DOWEL	2	2	2	
3	1UY-15383-00	PLATE, BEARING COVER	1	1	1	
4	98707-06016	SCREW, FLAT HEAD	2	2	2	
5	4KB-15383-00	PLATE, BEARING COVER	1	1	1	
6	98707-06016	SCREW, FLAT HEAD	2	2	2	
7	95027-06030	BOLT, FLANGE	5	5	5	
8	95027-06050	BOLT, FLANGE	6	6	6	
9	95027-06060	BOLT, FLANGE	2	2	2	
10	90110-08234	BOLT, HEXAGON SOCKET HEAD	3	3	3	

  
4KB1100-5100

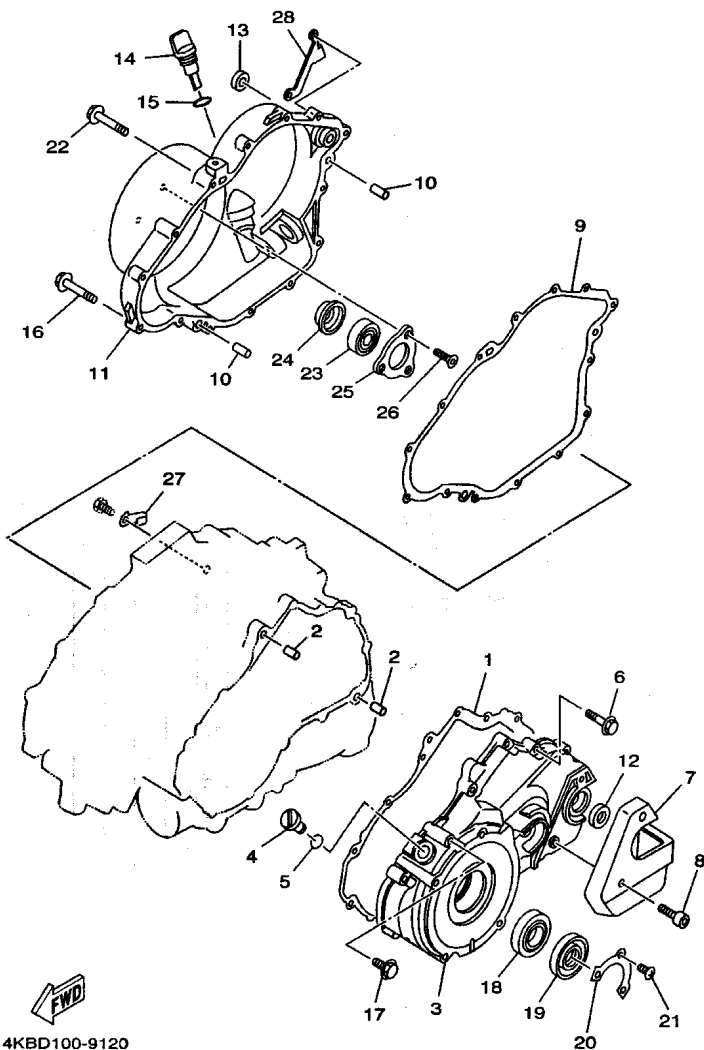
FIG. 11 CRANKCASE COVER 1



4KBD100-9110

REF. NO.	PART NO.	DESCRIPTION	U49	CAN	EUR	REMARKS
1	4KB-15451-00	GASKET, CRANKCASE COVER 1	1			
2	99530-10014	PIN, DOWEL	2			
3	4KB-15411-01	COVER, CRANKCASE 1	1			
4	90340-36098	PLUG, STRAIGHT SCREW	1			
5	93210-357A3	O-RING	1			
6	90340-14117	PLUG, STRAIGHT SCREW	1			
7	93210-14369	O-RING	1			
8	95027-06030	BOLT, FLANGE	13			
9	4KB-15421-00	COVER, CRANKCASE 2	1			
10	91317-08025	BOLT	2			
11	4KB-15462-00	GASKET, CRANKCASE COVER 3	1			
12	99530-10014	PIN, DOWEL	2			
13	4KB-15431-01	COVER, CRANKCASE 3	1			
14	93102-14209	OIL SEAL	1			
15	93102-12106	OIL SEAL (SD 12-22-5 HS)	1			
16	4KB-15362-00	PLUG, OIL LEVEL	1			
17	93210-19522	O-RING	1			
18	95027-06030	BOLT, FLANGE	12			
19	95027-06040	BOLT, FLANGE	2			
20	93306-20313	BEARING (B6203C4)	1			
21	93101-17113	OIL SEAL	1			
22	4SH-15381-00	PLATE, BEARING COVER	1			
23	90151-08025	SCREW, COUNTERSUNK	3			
24	90465-08377	CLAMP	1			
25	4KB-15777-00	BOSS, STARTER PULLEY	1			
26	4KB-18128-00	BRACKET	1			

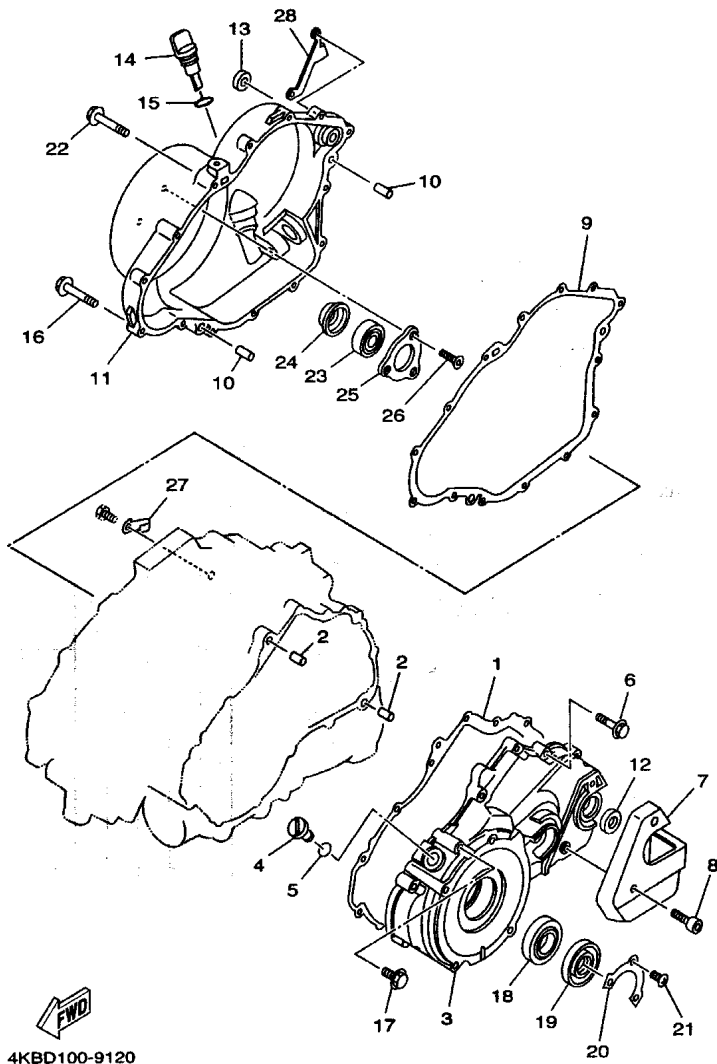
FIG. 12 CRANKCASE COVER 2



4KBD100-9120

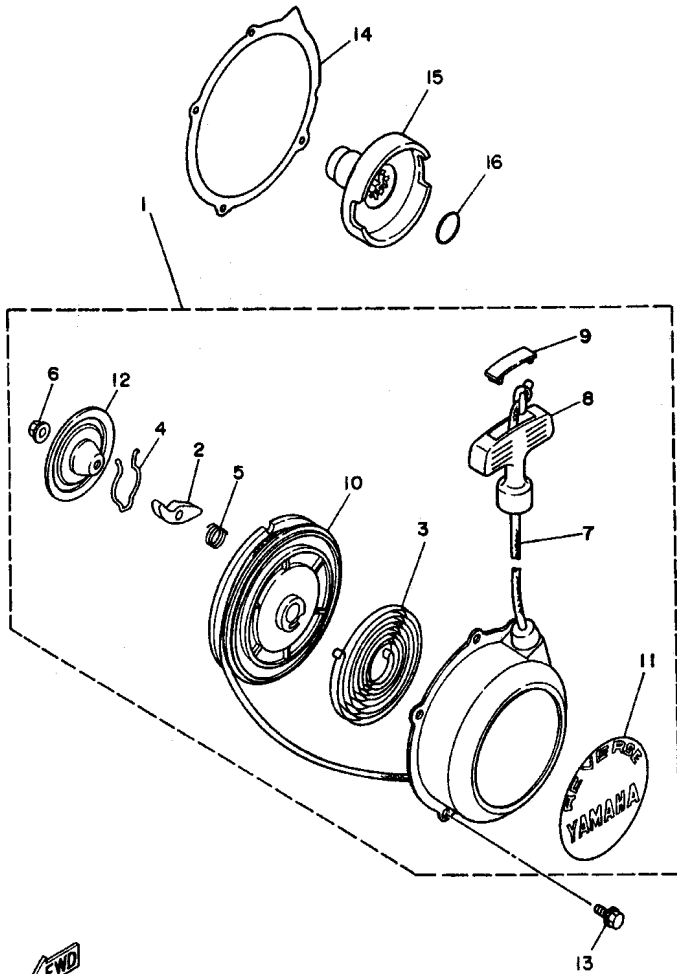
REF. NO.	PART NO.	DESCRIPTION	U49	CAN	EUR	REMARKS
1	4KB-15451-00	GASKET, CRANKCASE COVER 1		1	1	
2	99530-10014	PIN, DOWEL		2	2	
3	4KB-15411-11	COVER, CRANKCASE 1		1	1	
4	90340-14117	PLUG, STRAIGHT SCREW		1	1	
5	93210-14369	O-RING		1	1	
6	95027-06030	BOLT, FLANGE		13	13	
7	4KB-15421-00	COVER, CRANKCASE 2		1	1	
8	91317-06025	BOLT		2	2	
9	4KB-15462-00	GASKET, CRANKCASE COVER 3		1	1	
10	99530-10014	PIN, DOWEL		2	2	
11	4KB-15431-01	COVER, CRANKCASE 3		1	1	
12	93102-14209	OIL SEAL		1	1	
13	93102-12106	OIL SEAL (SD 12-22-5 HS)		1	1	
14	4KB-15362-00	PLUG, OIL LEVEL		1	1	
15	93210-19522	O-RING		1	1	
16	95027-06030	BOLT, FLANGE		9	9	
17	95027-06050	BOLT, FLANGE		3	3	
18	93306-07801	BEARING		1	1	
19	93102-28476	OIL SEAL		1	1	
20	1UY-15719-00	WASHER, THRUST		1	1	
21	90151-05023	SCREW, COUNTERSUNK		3	3	
22	95027-06040	BOLT, FLANGE		2	2	
23	93306-20313	BEARING (B6203C4)		1	1	
24	93101-17113	OIL SEAL		1	1	
25	4SH-15381-00	PLATE, BEARING COVER		1	1	
26	90151-06025	SCREW, COUNTERSUNK		3	3	
27	90465-08377	CLAMP		1	1	

FIG. 12 CRANKCASE COVER 2



4KBD100-9120

REF. NO.	PART NO.	DESCRIPTION	U49	CAN	EUR	REMARKS
28	4KB-18128-00	BRACKET		1	1	



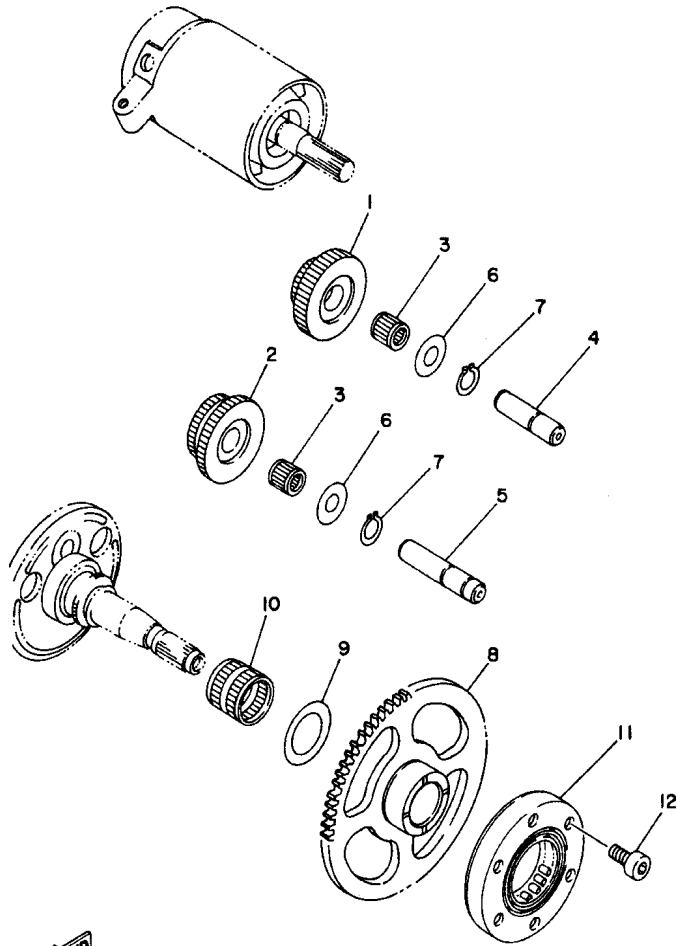
4KB1100-5130

FIG. 13 STARTER

REF. NO.	PART NO.	DESCRIPTION	U49	CAN	EUR	REMARKS
1	1UY-15710-00	STARTER ASSY		1	1	
2	21V-15741-00	.PAWL, DRIVE		1	1	
3	21V-15713-00	.SPRING, STARTER		1	1	
4	21V-15715-00	.SPRING, FRICTION		1	1	
5	21V-15767-00	.SPRING		1	1	
6	95702-06100	.NUT, FLANGE		1	1	
7	21V-15751-00	.WIRE, STARTER		1	1	
8	3X3-15755-00	.HANDLE, STARTER		1	1	
9	21V-15779-00	.COVER		1	1	
10	24W-15714-00	.DRUM, SHEAVE		1	1	
11	1UY-15443-00	.EMBLEM		1	1	
12	1UY-15716-00	.PLATE, DRIVE		1	1	
13	95027-06012	.BOLT, FLANGE		4	4	
14	3GD-15699-00	GASKET		1	1	
15	1UY-15723-00	PULLEY, STARTER		1	1	
16	93210-16290	O-RING		1	1	

C4

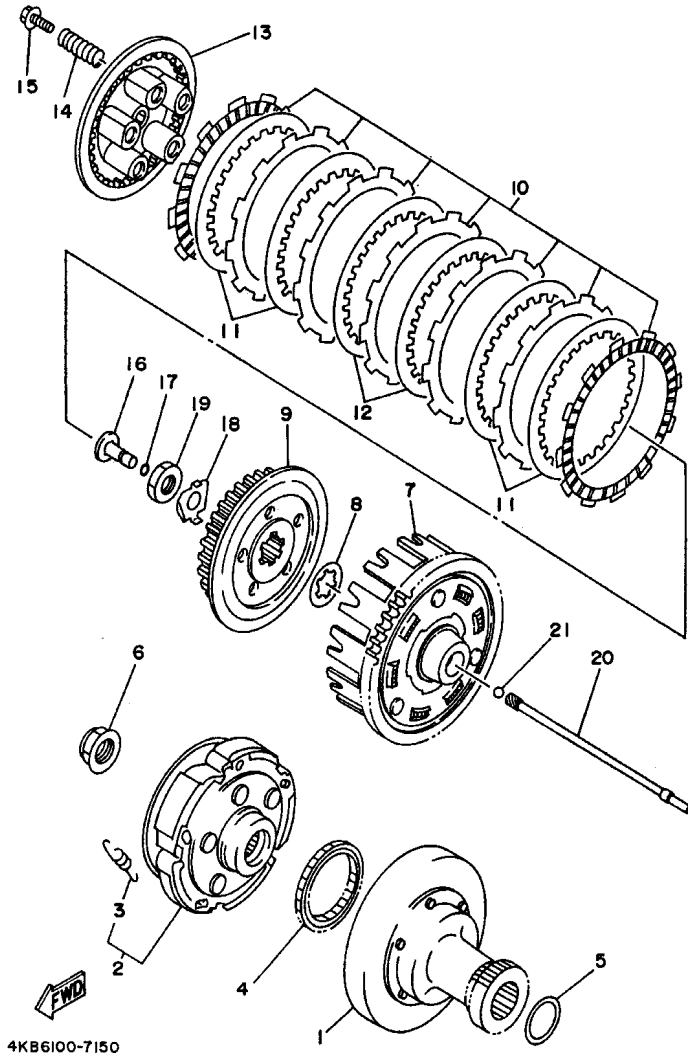
FIG. 14 STARTER CLUTCH



4KB1100-5140

REF. NO.	PART NO.	DESCRIPTION	U49	CAN	EUR	REMARKS
1	4KB-15512-00	GEAR, IDLER 1	1	1	1	
2	4KB-15517-00	GEAR, IDLER 2	1	1	1	
3	93310-212R6	BEARING	2	2	2	
4	4KB-15521-01	SHAFT 1	1	1	1	
5	4KB-15522-01	SHAFT 2	1	1	1	
6	90201-123K4	WASHER, PLATE	2	2	2	
7	99009-12400	CIRCLIP	2	2	2	
8	1UY-15517-01	GEAR, IDLER 2		1	1	
	4KB-15515-00	GEAR 3		1		
9	90201-25291	WASHER, PLATE		1	1	
10	93310-225N0	BEARING		1	1	
11	1UY-15590-00	STARTER ONE-WAY ASSY		1	1	
	4KB-15590-00	STARTER ONE-WAY ASSY		1		
12	91317-08016	BOLT		6	6	
	91317-08018	BOLT		3		

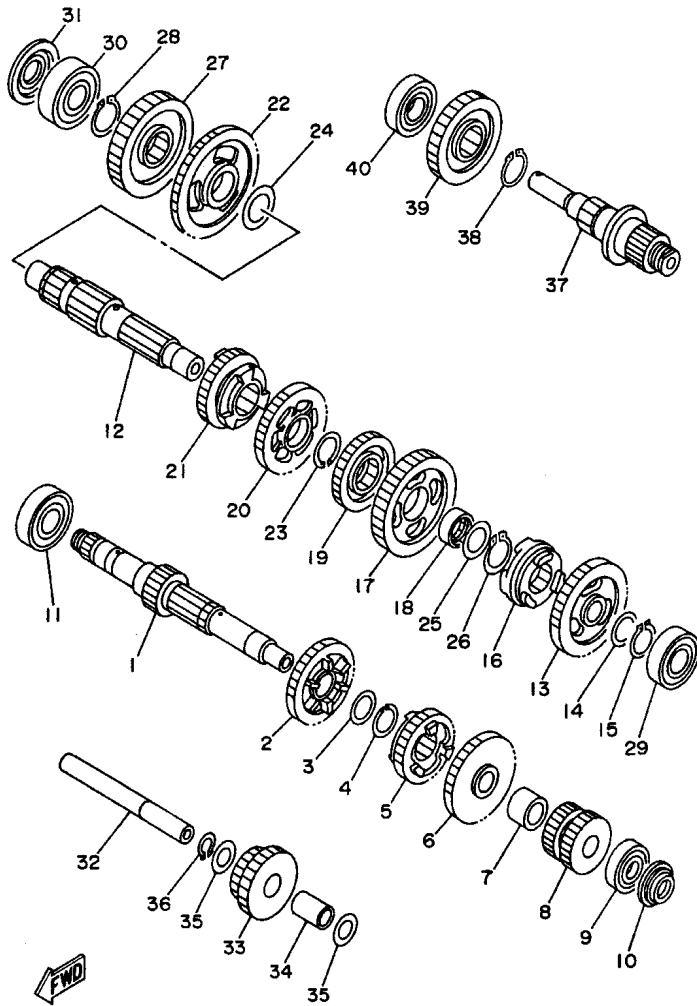
FIG. 15 CLUTCH



4KB6100-7150

REF. NO.	PART NO.	DESCRIPTION	U49	CAN	EUR	REMARKS
1	4WU-16611-00	CLUTCH HOUSING COMP.	1	1	1	
2	4SH-16620-01	CLUTCH CARRIER ASSY	1	1	1	
3	4SH-16626-00	.SPRING, CLUTCH WEIGHT 1	5	5	5	
4	4SH-16664-00	BEARING, ONE WAY	1	1	1	
5	90201-301P3	WASHER, PLATE	1	1	1	
6	90179-22640	NUT	1	1	1	
7	4KB-16150-00	PRIMARY DRIVEN GEAR COMP.	1	1	1	
8	30X-16154-00	PLATE, THRUST 1	1	1	1	
9	55V-16371-00	BOSS, CLUTCH	1	1	1	
10	5Y1-16331-01	PLATE, FRICTION 2	7	7	7	
11	168-16325-00	PLATE, CLUTCH 2	4	4	4	
12	3J2-16324-00	PLATE, CLUTCH 1	2	2	2	
13	5Y1-16351-00	PLATE, PRESSURE 1	1	1	1	
14	90501-23598	SPRING, COMPRESSION	5	5	5	
15	90159-06010	SCREW, WITH WASHER	5	5	5	
16	4KB-16356-00	ROD, PUSH 1	1	1	1	
17	93210-06422	O-RING	1	1	1	
18	90215-16289	WASHER, LOCK	1	1	1	
19	90170-16326	NUT	1	1	1	
20	4KB-16357-00	ROD, PUSH 2	1	1	1	
21	93511-32017	BALL	1	1	1	

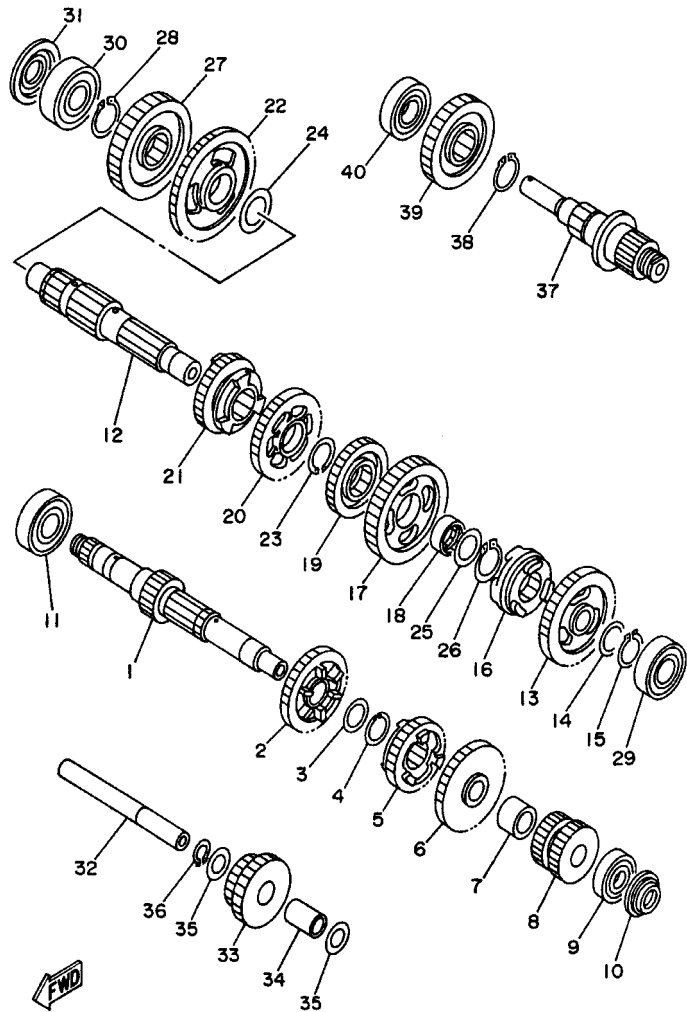




4KB1100-5160

FIG. 16 TRANSMISSION

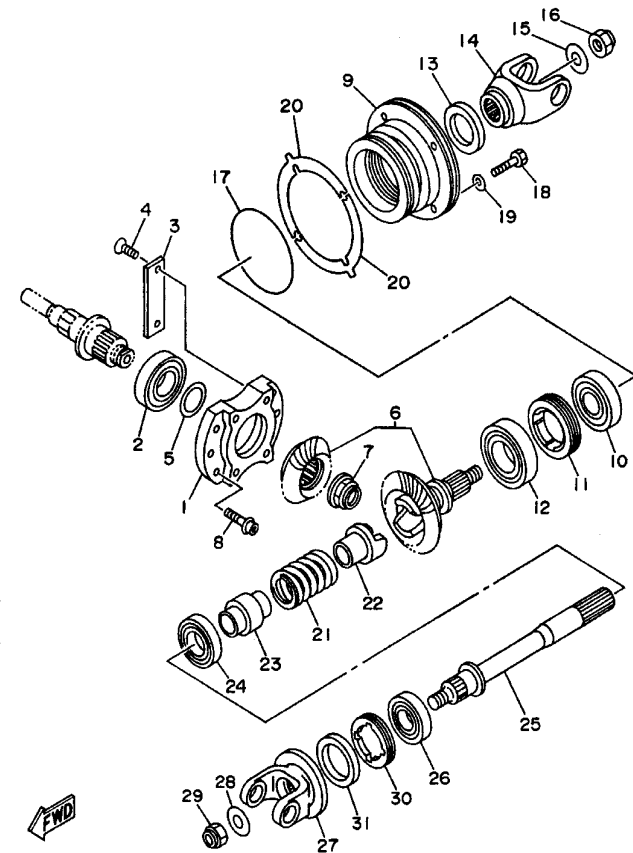
REF. NO.	PART NO.	DESCRIPTION	U49	CAN	EUR	REMARKS
1	4KB-17411-00	AXLE, MAIN	1	1	1	
2	1YW-17151-00	GEAR, 5TH PINION (29T)	1	1	1	
3	90209-21338	WASHER	1	1	1	
4	93440-24173	CIRCLIP	1	1	1	
5	4KB-17131-00	GEAR, 3RD PINION (22T)	1	1	1	
6	4KB-17141-00	GEAR, 4TH PINION (25T)	1	1	1	
7	90387-1904J	COLLAR	1	1	1	
8	4KB-17121-00	GEAR, 2ND PINION (18T)	1	1	1	
9	93306-20301	BEARING	1	1	1	
10	93104-17094	OIL SEAL	1	1	1	
11	93306-27202	BEARING	1	1	1	
12	4KB-17421-00	AXLE, DRIVE	1	1	1	
13	1YW-17221-00	GEAR, 2ND WHEEL (34T)	1	1	1	
14	90201-20276	WASHER, PLATE (1.0T)	1	1	1	
15	93410-20038	CIRCLIP	1	1	1	
16	4KB-17285-00	CLUTCH, DOG	1	1	1	
17	4KB-17243-00	GEAR, REVERSE WHEEL1 (35T)	1	1	1	
18	90387-2104H	COLLAR	1	1	1	
19	4KB-17241-00	GEAR, 4TH WHEEL (28T)	1	1	1	
20	1YW-17231-01	GEAR, 3RD WHEEL (30T)	1	1	1	
21	4KB-17251-00	GEAR, 5TH WHEEL (24T)	1	1	1	
22	4KB-17211-00	GEAR, 1ST WHEEL (38T)	1	1	1	
23	93440-25020	CIRCLIP	1	1	1	
24	90201-266F6	WASHER, PLATE	1	1	1	
25	90209-22191	WASHER	1	1	1	
26	93410-25017	CIRCLIP	1	1	1	
27	4KB-17582-00	GEAR, MIDDLE DRIVE (28T)	1	1	1	



4KB1100-5160

FIG. 16 TRANSMISSION

REF. NO.	PART NO.	DESCRIPTION	U49	CAN	EUR	REMARKS
28	93410-26067	CIRCLIP	1	1	1	
29	93306-20401	BEARING (B6204)	1	1	1	
30	93306-30424	BEARING (B6304A3)	1	1	1	
31	93104-20068	OIL SEAL	1	1	1	
32	4KB-17432-00	AXLE, IDLE	1	1	1	
33	4KB-17253-00	GEAR, REVERSE WHEEL 2 (22T)	1	1	1	
34	90387-1504G	COLLAR	1	1	1	
35	90201-150U6	WASHER, PLATE	2	2	2	
36	93440-15012	CIRCLIP	1	1	1	
37	4KB-17523-00	SHAFT	1	1	1	
38	93410-26067	CIRCLIP	1	1	1	
39	4KB-17583-00	GEAR, MIDDLE DRIVEN (24T)	1	1	1	
40	93306-00426	BEARING	1	1	1	



4KB1100-5170

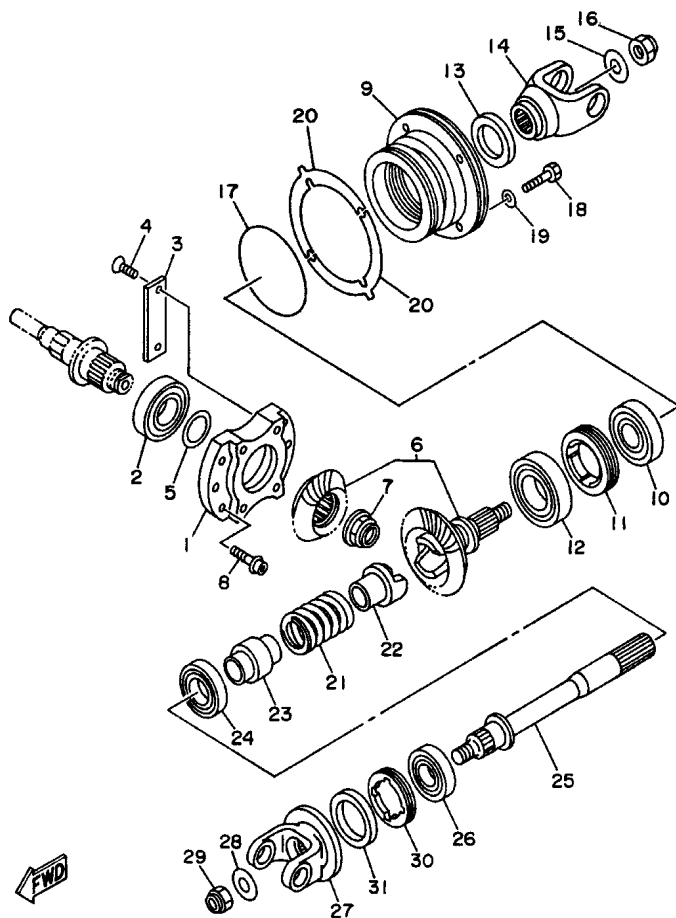
FIG. 17 MIDDLE DRIVE GEAR

REF. NO.	PART NO.	DESCRIPTION	U49	CAN	EUR	REMARKS
1	4KB-17521-00	HOUSING, BEARING	1	1	1	
2	93306-20636	BEARING	1	1	1	
3	11H-15383-01	PLATE, BEARING COVER	2	2	2	
4	90149-08152	SCREW	4	4	4	
5	52G-17531-01	SHIM, PINION (0.1T)	1	1	1	UR
	52G-17531-11	SHIM, PINION (0.15T)	1	1	1	UR
	52G-17531-21	SHIM, PINION (0.2T)	1	1	1	UR
	52G-17531-31	SHIM, PINION (0.3T)	1	1	1	UR
	52G-17531-41	SHIM, PINION (0.4T)	1	1	1	UR
	52G-17531-51	SHIM, PINION (0.5T)	1	1	1	UR
6	4KB-Y1754-00	MIDDLE GEAR COMP.	1	1	1	
7	90179-22526	NUT	1	1	1	
8	90109-082A1	BOLT	6	6	6	
9	4KB-17551-00	HOUSING, BEARING	1	1	1	
10	93306-30538	BEARING	1	1	1	
11	90179-65305	NUT	1	1	1	
12	93306-20715	BEARING	1	1	1	
13	93101-35097	OIL SEAL	1	1	1	
14	2HR-17556-01	YOKE, JOINT	1	1	1	
15	90201-14633	WASHER, PLATE	1	1	1	
16	90185-14070	NUT, SELF-LOCKING	1	1	1	
17	93210-78544	O-RING	1	1	1	
18	97027-08030	BOLT	4	4	4	
19	92907-08600	WASHER, PLATE	4	4	4	
20	4KB-17531-00	SHIM, PINION (0.10T)	2	2	2	UR
	4KB-17531-10	SHIM, PINION (0.15T)	2	2	2	UR
	4KB-17531-20	SHIM, PINION (0.20T)	2	2	2	UR

C9

FIG. 17 MIDDLE DRIVE GEAR

REF. NO.	PART NO.	DESCRIPTION	UA9	CAN	EUR	REMARKS
20	4KB-17531-30	SHIM, PINION (0.30T)	2	2	2	UR
	4KB-17531-40	SHIM, PINION (0.40T)	2	2	2	UR
	4KB-17531-50	SHIM, PINION (0.50T)	2	2	2	UR
	4KB-17531-60	SHIM, PINION (0.60T)	2	2	2	UR
21	90501-605E1	SPRING, COMPRESSION	1	1	1	
22	22U-17527-01	CAM, DRIVEN	1	1	1	
23	4KB-46123-00	COUPLING, GEAR	1	1	1	
24	93306-00612	BEARING	1	1	1	
25	4KB-1761A-00	SHAFT, 1	1	1	1	
26	93306-20517	BEARING (B6205)	1	1	1	
27	4KB-17576-00	YOKE, JOINT 2	1	1	1	
28	90201-14633	WASHER, PLATE	1	1	1	
29	90185-14070	NUT, SELF-LOCKING	1	1	1	
30	90179-55660	NUT	1	1	1	
31	93102-44454	OIL SEAL	1	1	1	



4KB1100-5170

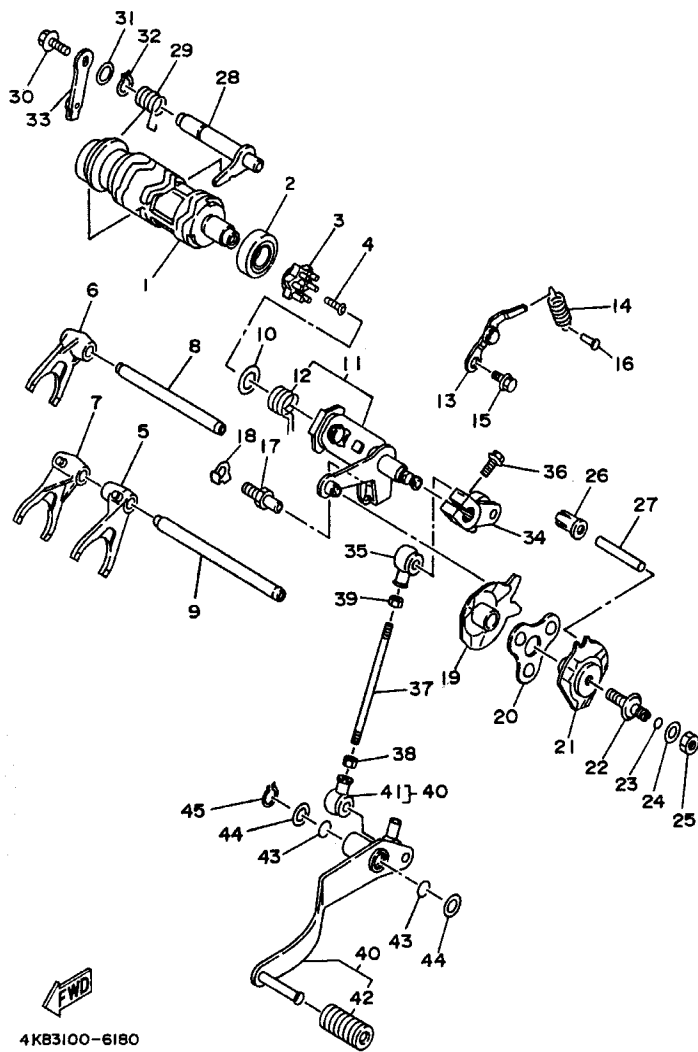
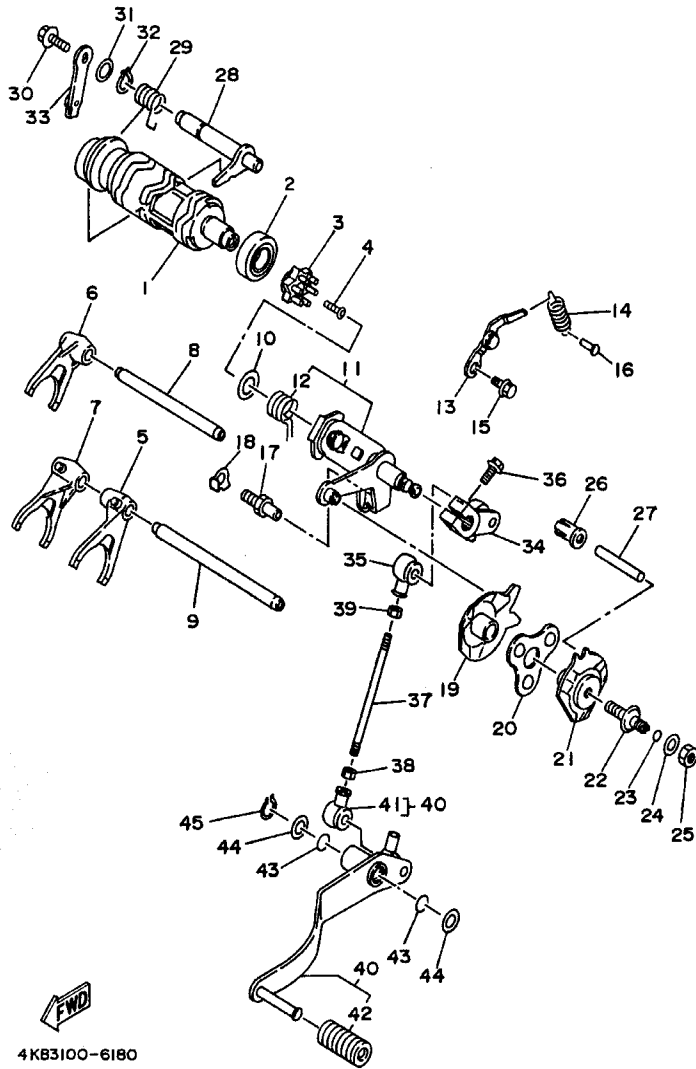


FIG. 18 SHIFT CAM. FORK

REF. NO.	PART NO.	DESCRIPTION	USA	CAN	EUR	REMARKS
1	4KB-18540-10	SHIFT CAM ASSY	1	1	1	
2	93306-00308	BEARING (B6003)	1	1	1	
3	4KB-18185-00	SEGMENT	1	1	1	
4	90151-06062	SCREW, COUNTERSUNK	1	1	1	
5	4KB-18511-00	FORK, SHIFT 1	1	1	1	
6	4KB-18512-00	FORK, SHIFT 2	1	1	1	
7	4KB-18513-00	FORK, SHIFT 3	1	1	1	
8	4GB-18535-00	BAR, SHIFT FORK GUIDE 2	1	1	1	
9	4KB-18531-00	BAR, SHIFT FORK GUIDE 1	1	1	1	
10	90201-14691	WASHER, PLATE	1	1	1	
11	4KB-18101-00	SHIFT SHAFT ASSY	1	1	1	
12	90508-32711	.SPRING, TORSION	1	1	1	
13	4KB-18140-00	STOPPER LEVER ASSY	1	1	1	
14	90506-12489	SPRING, TENSION	1	1	1	
15	90109-063F7	BOLT	1	1	1	
16	132-16346-00	HOOK, SPRING	1	1	1	
17	4G0-18127-00	STOPPER, SCREW	1	1	1	
18	90215-08260	WASHER, LOCK	1	1	1	
19	4KB-18106-00	GUIDE SHIFT COMP. 2	1	1	1	
20	4KB-18181-00	HOLDER, PAWL	1	1	1	
21	4KB-18104-00	GUIDE SHIFT COMP.	1	1	1	
22	4KB-18127-00	STOPPER, SCREW	1	1	1	
23	93210-07590	O-RING	1	1	1	
24	90201-08093	WASHER, PLATE	1	1	1	
25	95307-08700	NUT	1	1	1	
26	4KB-18424-00	CLIP	1	1	1	
27	93608-50149	PIN, DOWEL	1	1	1	

FIG. 18 SHIFT CAM. FORK



4KB3100-6180

REF. NO.	PART NO.	DESCRIPTION	U49	CAN	EUR	REMARKS
28	4KB-18380-00	SHIFTER BRKT. ASSY	1	1	1	
29	90508-186A5	SPRING, TORSION	1	1	1	
30	95817-06012	BOLT, FLANGE	1	1	1	
31	90201-12166	WASHER, PLATE	1	1	1	
32	99009-12400	CIRCLIP	1	1	1	
33	4KB-18431-00	BRACKET, SHIFTER	1	1	1	
34	4KB-18112-00	ARM, SHIFT	1	1	1	
35	2H9-18154-00	COVER, DUST	1	1	1	
36	97017-06020	BOLT	1	1	1	
37	36Y-18115-00	ROD, SHIFT	1	1	1	
38	90170-06228	NUT(COUNTER CLOCKWISE)	1	1	1	
39	95304-06700	NUT	1	1	1	
40	4KB-18110-00	SHIFT PEDAL ASSY	1			
	4KB-18110-11	SHIFT PEDAL ASSY		1	1	
41	2H9-18154-00	COVER, DUST	1	1	1	
42	132-18113-01	COVER, SHIFT PEDAL	1	1	1	
43	93210-15414	O-RING	2	2	2	
44	90201-15797	WASHER, PLATE	2	2	2	
45	93430-12008	CIRCLIP	1	1	1	

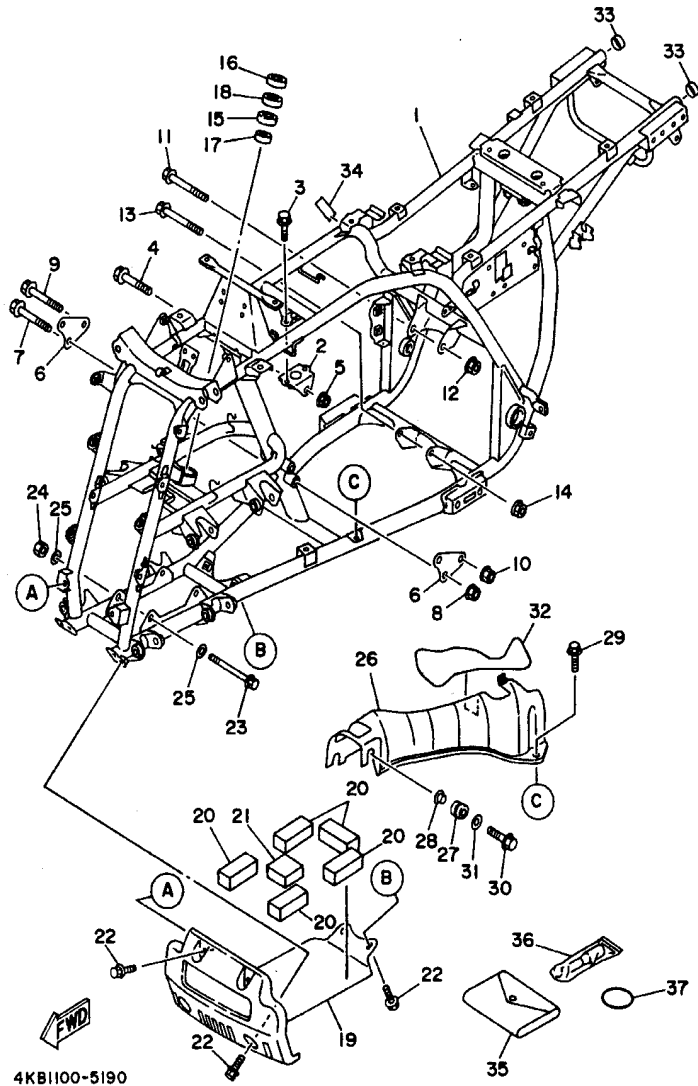


FIG. 19 FRAME

REF. NO.	PART NO.	DESCRIPTION	U49	CAN	EUR	REMARKS
1	4KB-21110-30-33	FRAME COMP.	1	1	1	YB
2	2HR-21315-02	STAY, ENGINE 2	1	1	1	
3	95817-08012	BOLT, FLANGE	2	2	2	
4	95817-08055	BOLT, FLANGE	1	1	1	
5	95607-08200	NUT, SELF-LOCKING	1	1	1	
6	4KB-21316-00	STAY, ENGINE 3	2	2	2	
7	95817-08085	BOLT, FLANGE	2	2	2	
8	95607-08200	NUT, SELF-LOCKING	1	1	1	
9	90105-10454	BOLT, WASHER BASED	1	1	1	
10	95607-10200	NUT, SELF-LOCKING	6	6	6	
11	90105-10747	BOLT, WASHER BASED	1	1	1	
12	95607-10200	NUT, SELF-LOCKING	6	6	6	
13	90105-10747	BOLT, WASHER BASED	1	1	1	
14	95607-10200	NUT, SELF-LOCKING	6	6	6	
15	93306-20331	BEARING	1	1	1	
16	93102-25081	OIL SEAL	1	1	1	
17	93102-25099	OIL SEAL	1	1	1	
18	2GU-23872-00	HOLDER, BEARING	1	1	1	
19	4KB-2147A-00	GUARD, ENGINE 1	1	1	1	
20	41R-21717-00	DAMPER	5	5	5	
21	4KB-21486-00	DAMPER 2	1	1	1	
22	95817-08016	BOLT, FLANGE	6	6	6	
23	90105-10051	BOLT, WASHER BASED	2	2	2	
24	95607-10200	NUT, SELF-LOCKING	6	6	6	
25	90201-101J1	WASHER, PLATE	4	4	4	
26	4KB-2147J-00	COVER, SHAFT 1	1	1	1	
27	90480-15058	GROMMET	2	2	2	

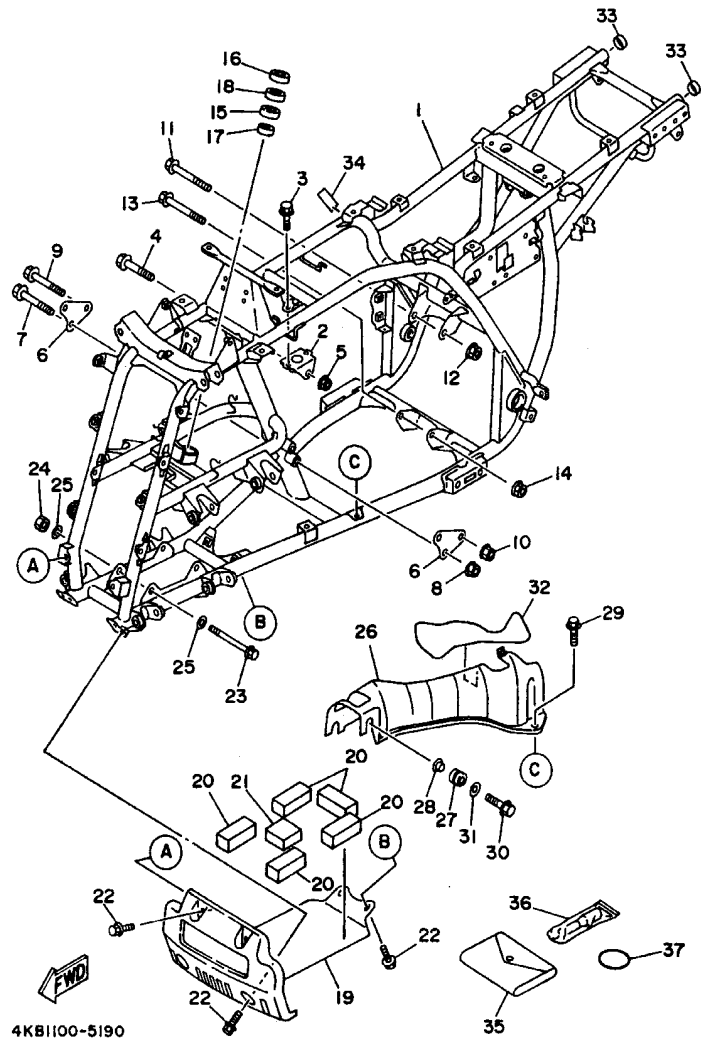
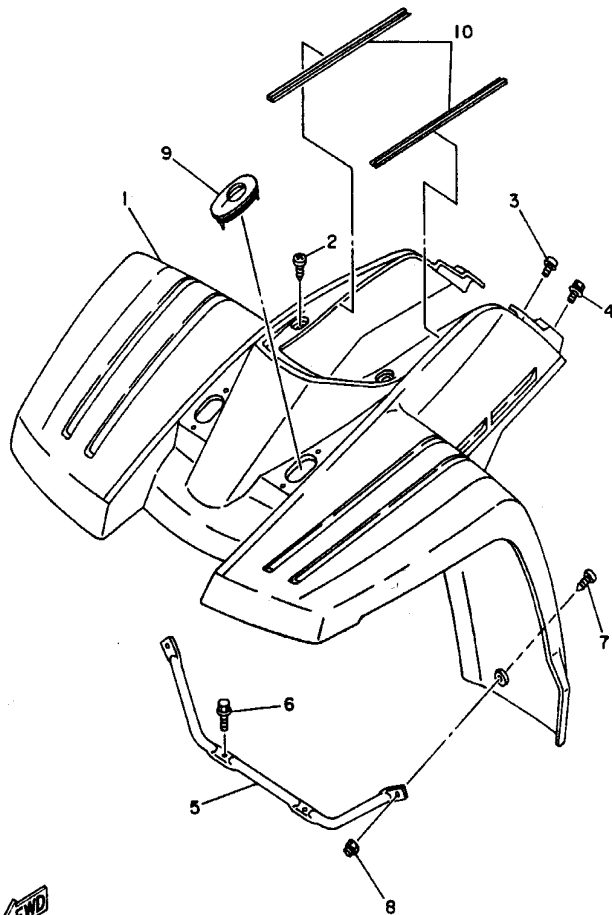


FIG. 19 FRAME

REF. NO.	PART NO.	DESCRIPTION	U49	CAN	EUR	REMARKS
28	90387-06024	COLLAR	2	2	2	
29	90119-06063	BOLT, WITH WASHER	1	1	1	
30	90105-06738	BOLT, WASHER BASED	2	2	2	
31	90201-06380	WASHER, PLATE	2	2	2	
32	4KB-2117G-01	PROTECTOR	1	1	1	
33	90336-22056	PLUG, TAPER	2	2	2	
34	4KB-21268-00	SEAL	1	1	1	
35	4WV-28100-00	TOOL KIT	1	1	1	
36	1NV-2811A-00	GAUGE, AIR	1	1	1	
37	93210-41041	O-RING	1	1	1	

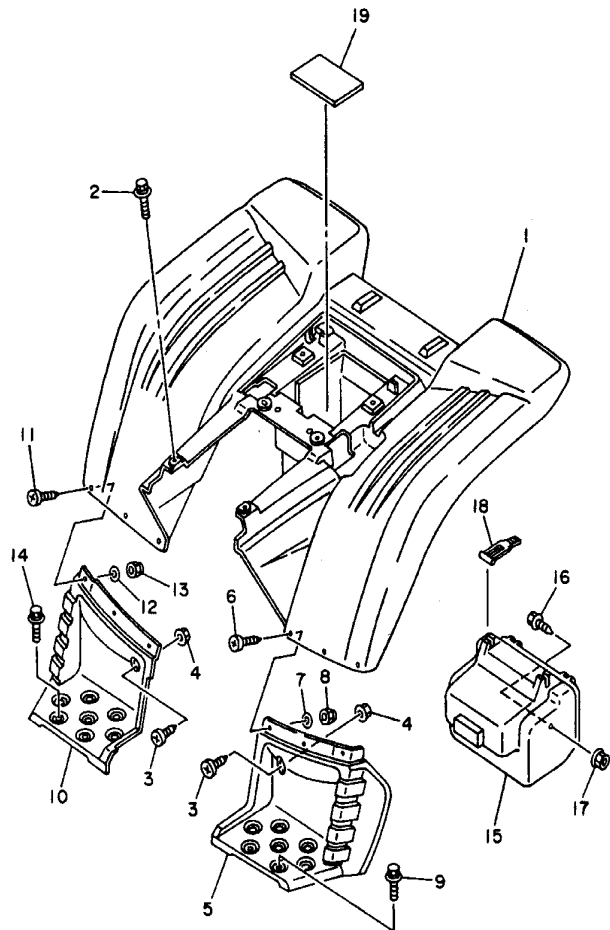




  
4KB1100-5200

FIG. 20 FRONT FENDER

REF. NO.	PART NO.	DESCRIPTION	U49	CAN	EUR	REMARKS
1	4KB-21511-41	FENDER, FRONT			1	UR FOR PDG
	4KB-W2151-45	FRONT FENDER COMP.	1			UR FOR PDG
	4KB-W2151-50	FRONT FENDER COMP.	1			UR FOR DPBSE
	4KB-W215C-50	FRONT FENDER COMP 2		1		UR FOR DPBSE
	4KB-W215C-51	FRONT FENDER COMP 2		1		UR FOR RTR
2	90149-06306	SCREW	2	2	2	
3	90159-06059	SCREW, WITH WASHER	2	2	2	
4	90119-06056	BOLT, WITH WASHER	4	4	4	
5	4KB-21513-00	STAY, FENDER 1	1	1	1	
6	95827-06012	BOLT, FLANGE	2	2	2	
7	90149-06306	SCREW	2	2	2	
8	95607-06200	NUT, SELF U-FLANGE	2	2	2	
9	4KB-21541-00	DAMPER 1	2	2	2	
10	4KB-2171L-00	MOLE, SIDE COVER 1	2	2	2	
* With label(s) (See FIG 49/50/51 for detail)						

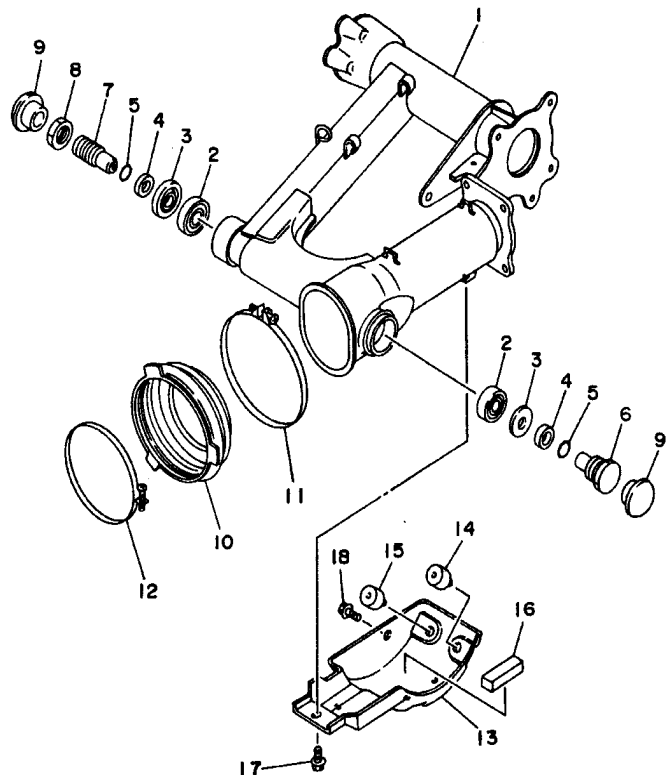


4KB1100-5210

FIG. 21 REAR FENDER

REF. NO.	PART NO.	DESCRIPTION	U49	CAN	EUR	REMARKS
1	4KB-21611-41	FENDER, REAR			1	UR FOR PDG
	4KB-W2161-45	REAR FENDER COMP.	1			UR FOR PDG
	4KB-W2161-50	REAR FENDER COMP.	1			UR FOR DPBSE
	4KB-W216C-32	REAR FENDER COMP 2		1		UR FOR DPBSE
	4KB-W216C-50	REAR FENDER COMP 2		1		UR FOR RTR
2	90119-06056	BOLT, WITH WASHER	6	6	6	
3	90149-06306	SCREW	2	2	2	
4	95607-06200	NUT, SELF U-FLANGE	2	2	2	
5	4KB-21621-00	FLAP	1	1	1	YAMAHA BLACK
6	90149-06306	SCREW	3	3	3	
7	92907-06200	WASHER	3	3	3	
8	95607-06100	NUT, U	3	3	3	
9	90119-06056	BOLT, WITH WASHER	2	2	2	
10	4KB-21691-00	FLAP	1	1	1	YAMAHA BLACK
11	90149-06306	SCREW	3	3	3	
12	92907-06200	WASHER	3	3	3	
13	95607-06100	NUT, U	3	3	3	
14	90119-06056	BOLT, WITH WASHER	2	2	2	
15	4KB-2160A-00	BOX COMP.	1	1		
	4KB-2160A-10	BOX COMP.			1	
16	90119-06060	BOLT, WITH WASHER	2	2	2	
17	95607-06200	NUT, SELF U-FLANGE	2	2	2	
18	59V-21646-00	BAND	2	2	2	
19	4BD-21639-00	DAMPER 2	1	1	1	

\* With label(s) (See FIG 49/50/51 for detail)



**FWD**  
4KB6100-7221

**FIG. 22 REAR ARM**

REF. NO.	PART NO.	DESCRIPTION	U49	CAN	EUR	REMARKS
1	4KB-22110-01-33	REAR ARM COMP.	1	1	1	YB
2	93332-00080	BEARING	2	2	2	
3	93102-25017	OIL SEAL	2	2	2	
4	90387-1707V	COLLAR	2	2	2	
5	93210-17718	O-RING	2	2	2	
6	4KM-22141-00	SHAFT, PIVOT	1	1	1	
7	29U-22141-00	SHAFT, PIVOT	1	1	1	
8	4WV-22143-00	NUT	1	1	1	
9	90338-34264	PLUG	2	2	2	
10	4KB-22189-00	BOOT, RUBBER	1	1	1	
11	90460-99289	CLAMP, HOSE	1	1	1	
12	4KB-22591-00	CLAMP, HOSE	1	1	1	
13	4BD-2219X-02	COVER	1	1	1	
14	1A0-27114-00	STOPPER, MAIN STAND	2	2	2	
15	109-27114-00	STOPPER, MAIN STAND	1	1	1	
16	1UJ-21638-00	DAMPER 1	1	1	1	
17	95827-08012	BOLT, FLANGE	1	1	1	
18	95827-10016	BOLT, FLANGE	1	1	1	

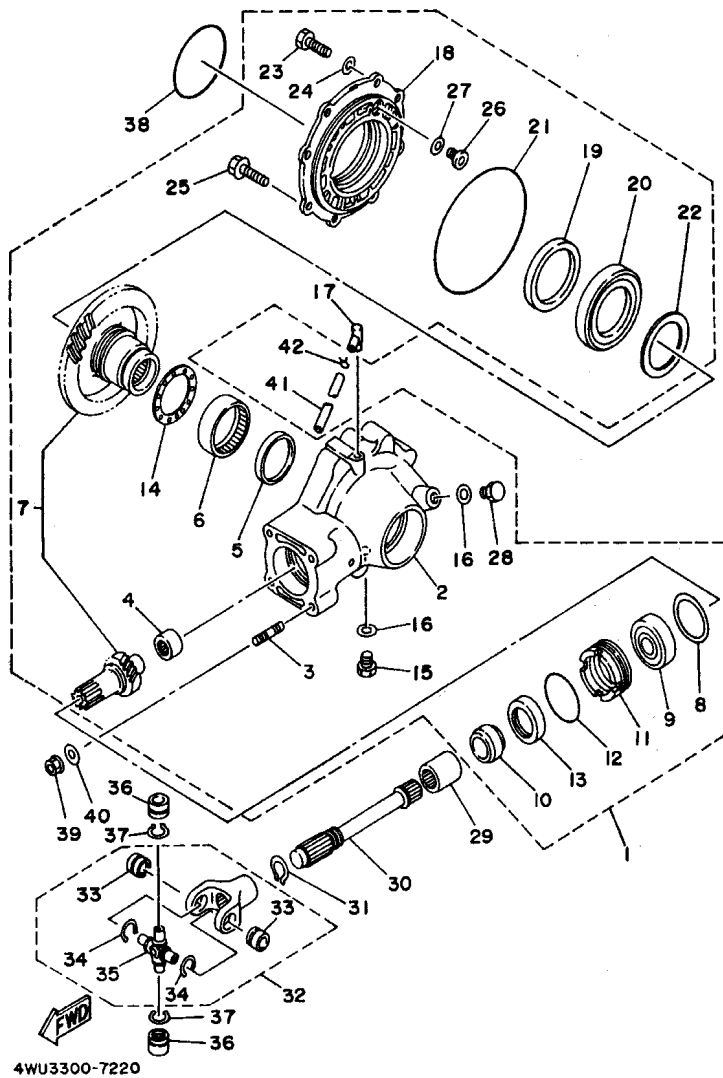


FIG. 23 DRIVE SHAFT

REF. NO.	PART NO.	DESCRIPTION	U49	CAN	EUR	REMARKS
1	4GB-46101-03	REAR AXLE GEAR CASE ASSY	1	1	1	
2	3HN-46151-00	.HOUSING, DRIVE SHAFT	1	1	1	
3	90116-10593	.BOLT, STUD	4	4	4	
4	2H7-46102-00	.BEARING ASSY	1	1	1	
5	93101-52116	.OIL SEAL	1	1	1	
6	93317-85569	.BEARING	1	1	1	
7	4GB-Y4612-00	.RING GEAR SET	1	1	1	
8	1J7-17537-Y0-30	.SHIM, THRUST (0.30T)	1	1	1	UR
	1J7-17537-Y0-40	.SHIM, THRUST (0.40T)	1	1	1	UR
	1J7-17537-Y0-50	.SHIM, THRUST (0.50T)	1	1	1	UR
9	93306-30568	.BEARING	1	1	1	
10	90387-255H9	.COLLAR	1	1	1	
11	29U-46125-00	.RETAINER, BEARING	1	1	1	
12	93210-59531	.O-RING	1	1	1	
13	93101-38098	.OIL SEAL	1	1	1	
14	24W-46118-00-12	.WASHER, THRUST (1.2T)	1	1	1	UR
	24W-46118-00-14	.WASHER, THRUST (1.4T)	1	1	1	UR
	24W-46118-00-16	.WASHER, THRUST (1.6T)	1	1	1	UR
	24W-46118-00-18	.WASHER, THRUST (1.8T)	1	1	1	UR
	24W-46118-00-20	.WASHER, THRUST (2.0T)	1	1	1	UR
15	90340-14046	.PLUG, STRAIGHT SCREW	1	1	1	
16	214-11198-01	.GASKET	2	2	2	
17	2N4-15371-00	.BREATHER	1	1	1	
18	3HN-46152-01	.HOUSING, BEARING	1	1	1	
19	93102-65386	.OIL SEAL	1	1	1	
20	93316-01301	.BEARING	1	1	1	
21	93211-51749	.O-RING	1	1	1	

D4

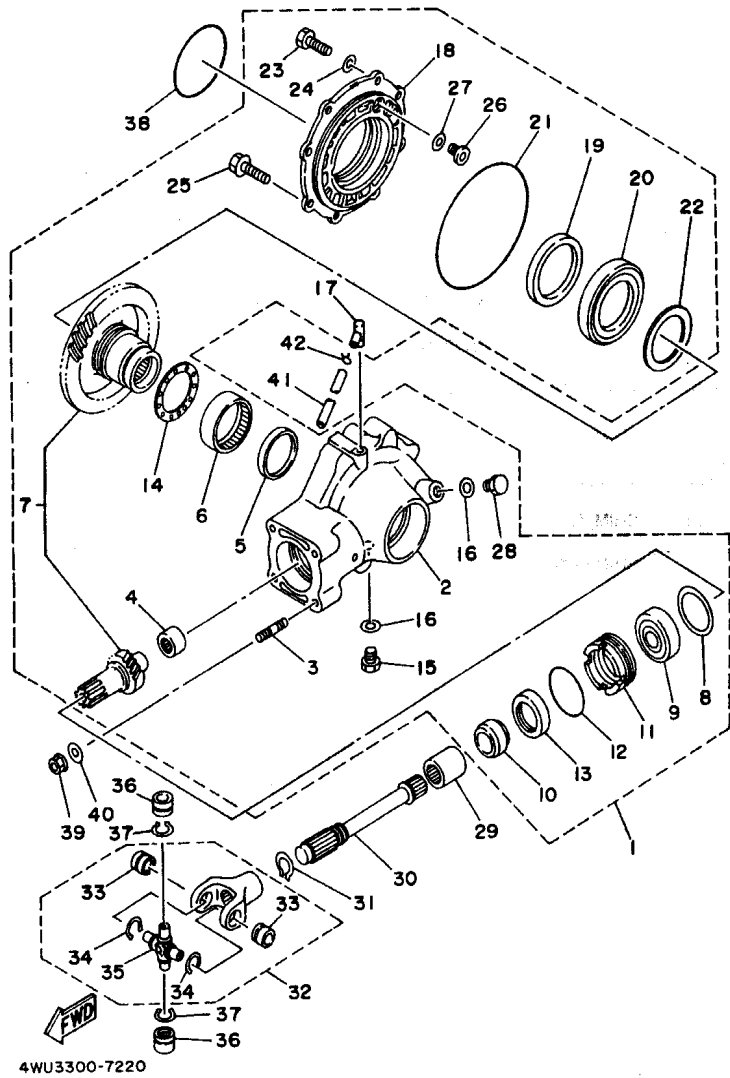


FIG. 23 DRIVE SHAFT

REF. NO.	PART NO.	DESCRIPTION	U49	CAN	EUR	REMARKS
22	24W-46117-00-25	.SHIM, RING GEAR (0.25T)	1	1	1	UR
	24W-46117-00-30	.SHIM, RING GEAR (0.30T)	1	1	1	UR
	24W-46117-00-40	.SHIM, RING GEAR (0.40T)	1	1	1	UR
	24W-46117-00-50	.SHIM, RING GEAR (0.50T)	1	1	1	UR
23	97027-08025	.BOLT	6	6	6	
24	92907-08600	.WASHER, PLATE	6	6	6	
25	95817-10045	.BOLT, FLANGE	2	2	2	
26	1FK-46156-00	.STOPPER, RING GEAR	1	1	1	
27	1FK-46157-00-15	.SHIM, STOPPER (T=0.15)	1	1	1	UR
	1FK-46157-00-20	.SHIM, STOPPER (T=0.20)	1	1	1	UR
28	90340-14029	.PLUG, STRAIGHT SCREW	1	1	1	
29	2HR-46123-00	COUPLING, GEAR	1	1	1	
30	4KB-46172-00	SHAFT, DRIVE	1	1	1	
31	93410-22039	CIRCLIP	1	1	1	
32	1YW-46180-00	CROSS JOINT COMP.	1	1	1	
33	93399-99923	.BEARING	2	2	2	
34	93430-23046	.CIRCLIP	2	2	2	
35	1YW-46187-00	.SPIDER	1	1	1	
36	93399-99938	BEARING	2	2	2	
37	93440-23165	CIRCLIP	2	2	2	
38	93210-85706	O-RING	1	1	1	
39	90179-10394	NUT	4	4	4	
40	90201-10774	WASHER, PLATE	4	4	4	
41	90445-072J3	HOSE	1	1	1	
42	90467-07029	CLIP	1	1	1	

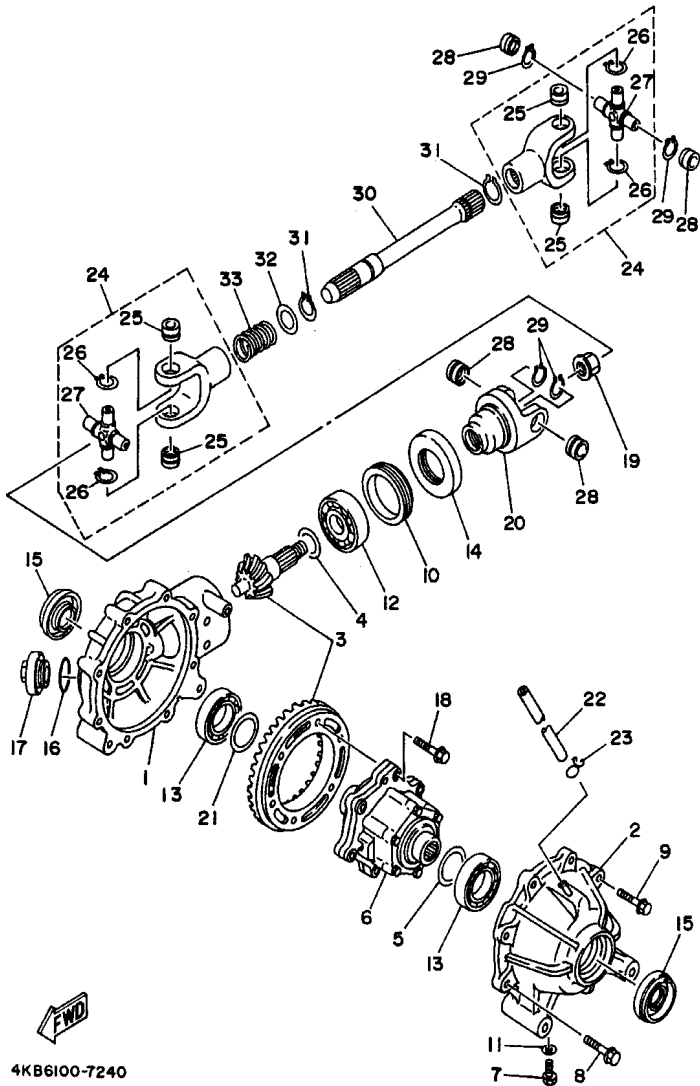


FIG. 24 FRONT DIFFERENTIAL

REF. NO.	PART NO.	DESCRIPTION	U49	CAN	EUR	REMARKS
1	4KB-46161-00	HOUSING, SHAFT DRIVE 2	1	1	1	
2	4KB-46162-00	HOUSING, BEARING 2	1	1	1	
3	4KB-W4614-11	PINION DRIVE GEAR SET	1	1	1	
4	4KB-46127-00	SHIM, DRIVE PINION (1.82T)	1	1	1	UR
	4KB-46127-10	SHIM, DRIVE PINION (1.88T)	1	1	1	UR
	4KB-46127-20	SHIM, DRIVE PINION (1.94T)	1	1	1	UR
	4KB-46127-30	SHIM, DRIVE PINION (2.00T)	1	1	1	UR
	4KB-46127-40	SHIM, DRIVE PINION (2.06T)	1	1	1	UR
	4KB-46127-50	SHIM, DRIVE PINION (2.12T)	1	1	1	UR
	4KB-46127-60	SHIM, DRIVE PINION (2.18T)	1	1	1	UR
5	4KB-46117-00	SHIM, RING GEAR (0.50T)	1	1	1	UR
	4KB-46117-10	SHIM, RING GEAR (0.55T)	1	1	1	UR
	4KB-46117-20	SHIM, RING GEAR (0.60T)	1	1	1	UR
	4KB-46117-30	SHIM, RING GEAR (0.65T)	1	1	1	UR
	4KB-46117-40	SHIM, RING GEAR (0.70T)	1	1	1	UR
	4KB-46117-50	SHIM, RING GEAR (0.75T)	1	1	1	UR
	4KB-46117-60	SHIM, RING GEAR (0.80T)	1	1	1	UR
	4KB-46117-70	SHIM, RING GEAR (0.85T)	1	1	1	UR
	4KB-46117-80	SHIM, RING GEAR (0.90T)	1	1	1	UR
	4KB-46117-90	SHIM, RING GEAR (0.95T)	1	1	1	UR
	4KB-46117-A0	SHIM, RING GEAR (1.00T)	1	1	1	UR
	4KB-46117-B0	SHIM, RING GEAR (1.05T)	1	1	1	UR
	4KB-46117-C0	SHIM, RING GEAR (1.10T)	1	1	1	UR
	4KB-46117-D0	SHIM, RING GEAR (1.15T)	1	1	1	UR
	4KB-46117-E0	SHIM, RING GEAR (1.20T)	1	1	1	UR
	4KB-46117-F0	SHIM, RING GEAR (1.25T)	1	1	1	UR
	4KB-46117-G0	SHIM, RING GEAR (1.30T)	1	1	1	UR

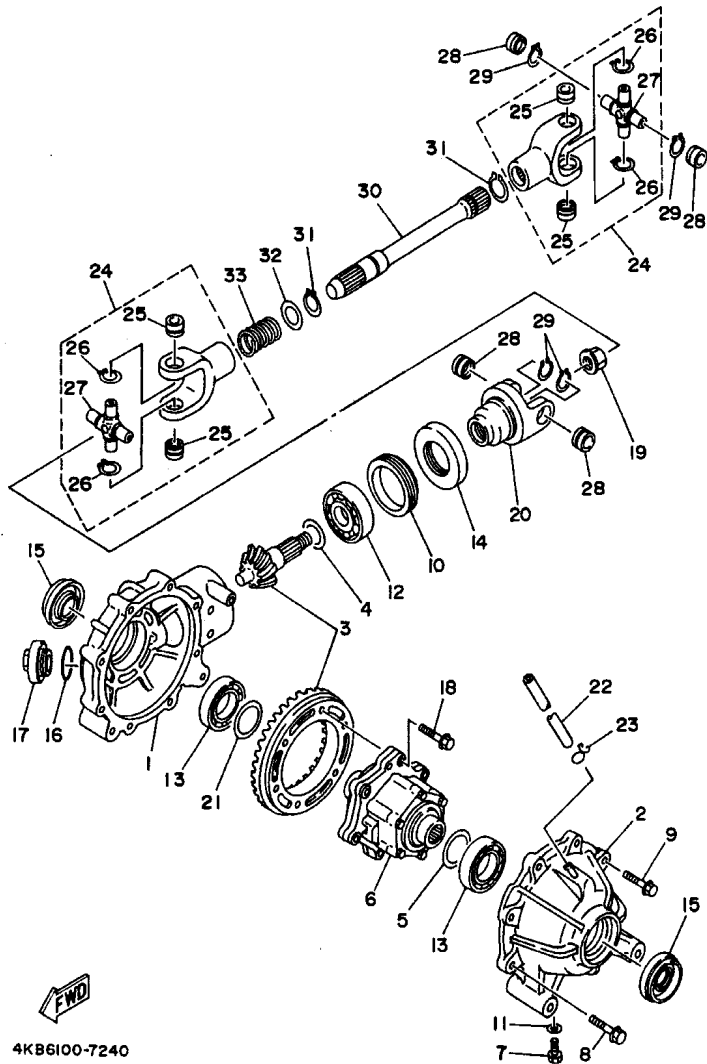


FIG. 24 FRONT DIFFERENTIAL

REF. NO.	PART NO.	DESCRIPTION	U49	CAN	EUR	REMARKS
5	4KB-46117-H0	SHIM, RING GEAR (1.35T)	1	1	1	UR
	4KB-46117-J0	SHIM, RING GEAR (1.40T)	1	1	1	UR
	4KB-46117-K0	SHIM, RING GEAR (1.45T)	1	1	1	UR
	4KB-46117-L0	SHIM, RING GEAR (1.50T)	1	1	1	UR
	4KB-46117-M0	SHIM, RING GEAR (1.55T)	1	1	1	UR
	4KB-46117-N0	SHIM, RING GEAR (1.60T)	1	1	1	UR
6	4KB-46470-11	LIMITED SLIP DIFF. ASSY	1	1	1	
7	90105-08759	BOLT, WASHER BASED	1	1	1	
8	90105-082A7	BOLT, WASHER BASED	6	6	6	
9	90105-102A8	BOLT, WASHER BASED	2	2	2	
10	90179-60664	NUT	1	1	1	
11	90201-086R7	WASHER, PLATE	1	1	1	
12	93306-37210	BEARING	1	1	1	
13	93306-07804	BEARING	2	2	2	
14	93103-38178	OIL SEAL	1	1	1	
15	93105-22029	OIL SEAL	2	2	2	
16	93210-313A0	O-RING	1	1	1	
17	4KB-11186-00	COVER, CYLINDER HEAD SIDE 2	1	1	1	
18	90105-08756	BOLT, WASHER BASED	6	6	6	
19	90179-16671	NUT	1	1	1	
20	4KB-46146-11	YOKE, JOINT 2	1	1	1	
21	4KB-46119-00	SHIM, THRUST (0.50T)	1	1	1	UR
	4KB-46119-10	SHIM, THRUST (0.55T)	1	1	1	UR
	4KB-46119-20	SHIM, THRUST (0.60T)	1	1	1	UR
	4KB-46119-30	SHIM, THRUST (0.65T)	1	1	1	UR
	4KB-46119-40	SHIM, THRUST (0.70T)	1	1	1	UR
	4KB-46119-50	SHIM, THRUST (0.75T)	1	1	1	UR

D7

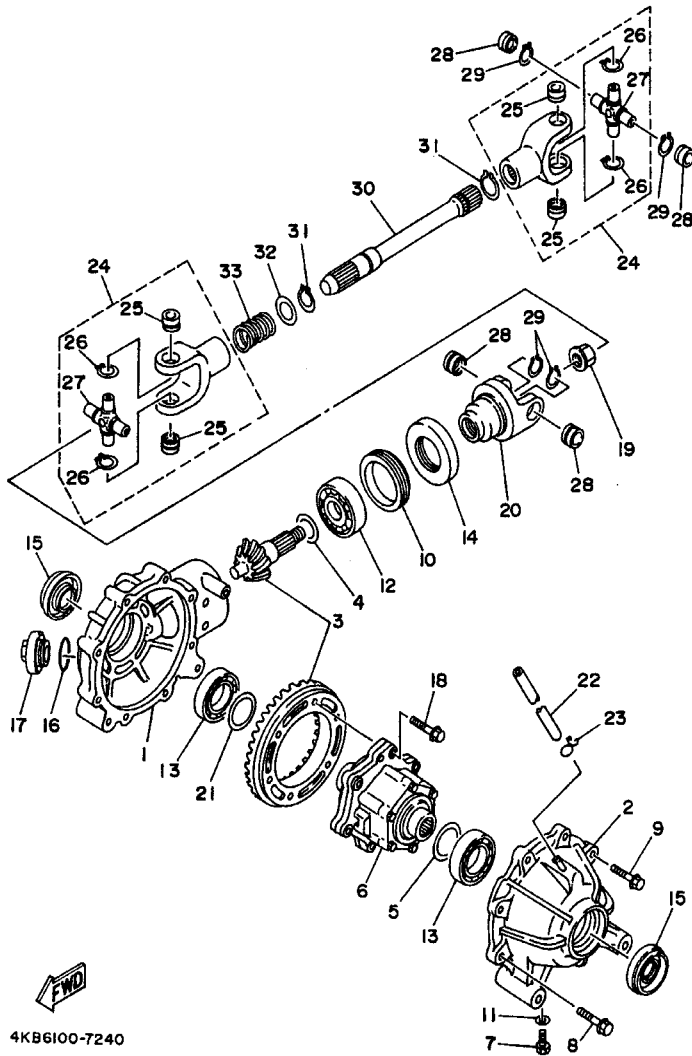


FIG. 24 FRONT DIFFERENTIAL

REF. NO.	PART NO.	DESCRIPTION	U49	CAN	EUR	REMARKS
21	4KB-46119-60	SHIM, THRUST (0.80T)	1	1	1	UR
	4KB-46119-70	SHIM, THRUST (0.85T)	1	1	1	UR
	4KB-46119-80	SHIM, THRUST (0.90T)	1	1	1	UR
	4KB-46119-90	SHIM, THRUST (0.95T)	1	1	1	UR
	4KB-46119-A0	SHIM, THRUST (1.00T)	1	1	1	UR
	4KB-46119-B0	SHIM, THRUST (1.05T)	1	1	1	UR
	4KB-46119-C0	SHIM, THRUST (1.10T)	1	1	1	UR
	4KB-46119-D0	SHIM, THRUST (1.10T)	1	1	1	UR
	4KB-46119-E0	SHIM, THRUST (1.20T)	1	1	1	UR
	4KB-46119-F0	SHIM, THRUST (1.25T)	1	1	1	UR
	4KB-46119-G0	SHIM, THRUST (1.30T)	1	1	1	UR
	4KB-46119-H0	SHIM, THRUST (1.35T)	1	1	1	UR
	4KB-46119-J0	SHIM, THRUST (1.40T)	1	1	1	UR
	4KB-46119-K0	SHIM, THRUST (1.45T)	1	1	1	UR
	4KB-46119-L0	SHIM, THRUST (1.50T)	1	1	1	UR
	4KB-46119-M0	SHIM, THRUST (1.55T)	1	1	1	UR
	4KB-46119-N0	SHIM, THRUST (1.60T)	1	1	1	UR
22	90445-072J4	HOSE	1	1	1	
23	90467-06016	CLIP	1	1	1	
24	3HN-46108-00	CROSS JOINT COMP. 3	2	2	2	
25	93399-99926	.BEARING	2	2	2	
26	93440-20088	.CIRCLIP	2	2	2	
27	2HR-46187-00	.SPIDER	1	1	1	
28	93399-99926	BEARING	4	4	4	
29	93440-20088	CIRCLIP	4	4	4	
30	4KB-46173-00	SHAFT, DRIVE 2	1	1	1	
31	93410-22039	CIRCLIP	2	2	2	

D8



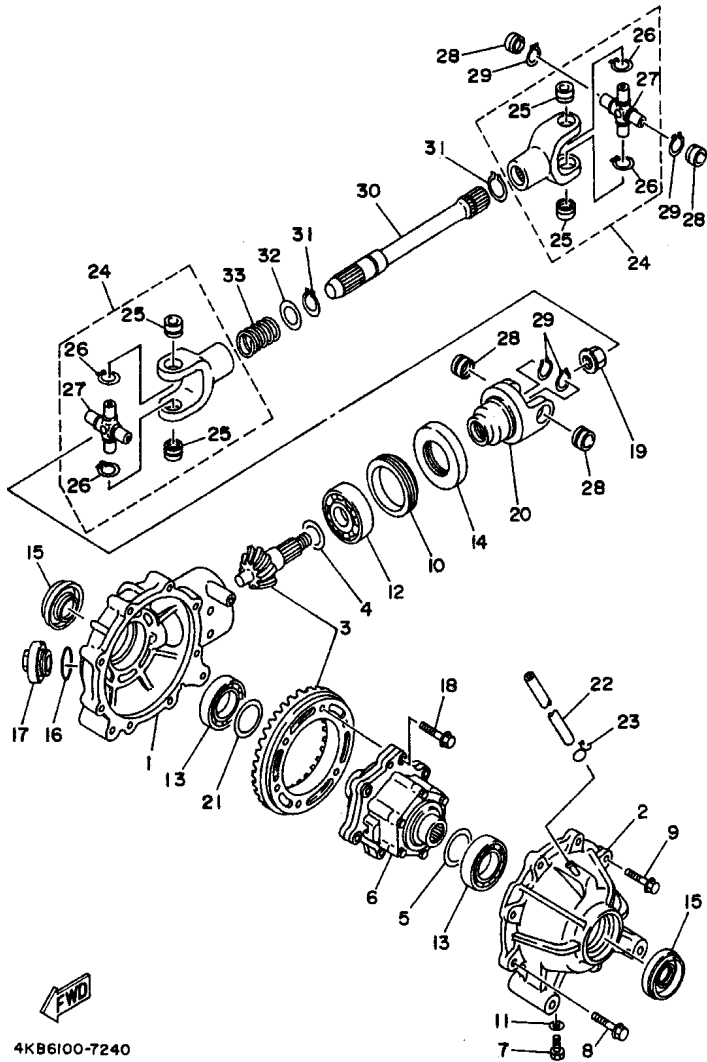
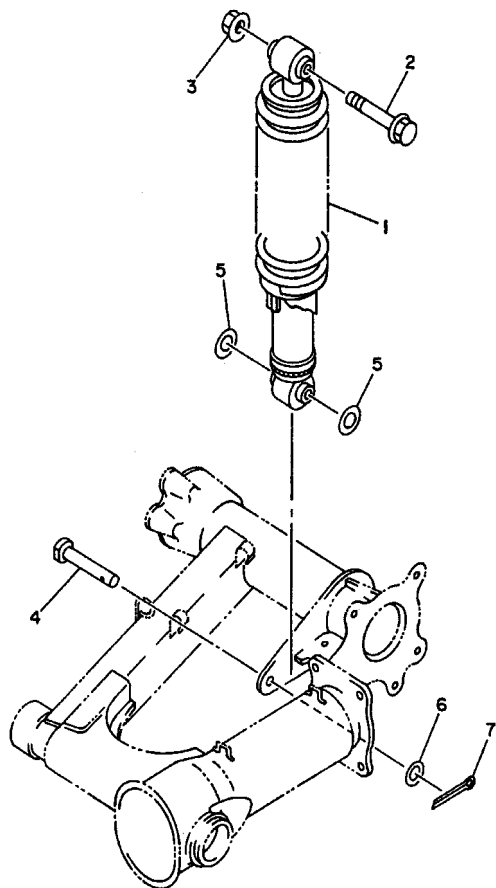


FIG. 24 FRONT DIFFERENTIAL

REF. NO.	PART NO.	DESCRIPTION	U49	CAN	EUR	REMARKS
32	90201-225M9	WASHER, PLATE	1	1	1	
33	90501-234F8	SPRING, COMPRESSION	1	1	1	
-----						
-----						
-----						
-----						
-----						
-----						
-----						
-----						

D9

FIG. 25 REAR SUSPENSION

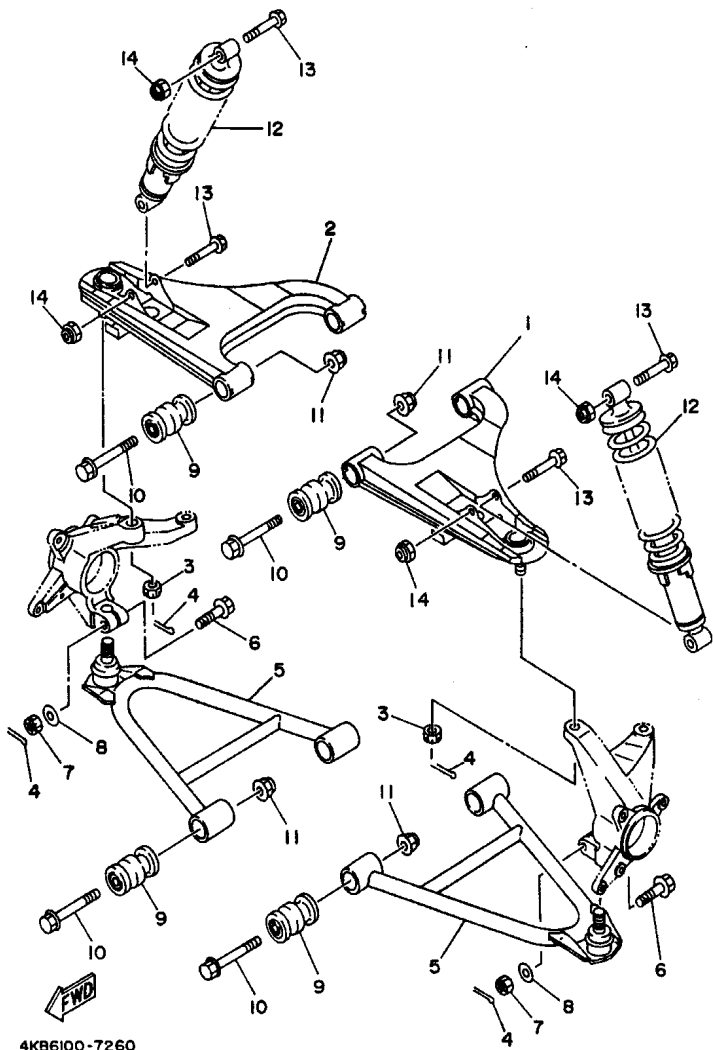


4KB1100-5250

REF. NO.	PART NO.	DESCRIPTION	U49	CAN	EUR	REMARKS
1	4KB-22210-00-35	SHOCK ABSORBER ASSY, REAR	1	1	1	SL
2	90105-12425	BOLT, WASHER BASED	1	1	1	
3	90185-12072	NUT, SELF-LOCKING	1	1	1	
4	90240-12092	PIN, CLEVIS	1	1	1	
5	1W1-22128-00	COVER, THRUST 1	2	2	2	
6	90201-127J6	WASHER, PLATE	1	1	1	
7	91401-30025	PIN, COTTER	1	1	1	

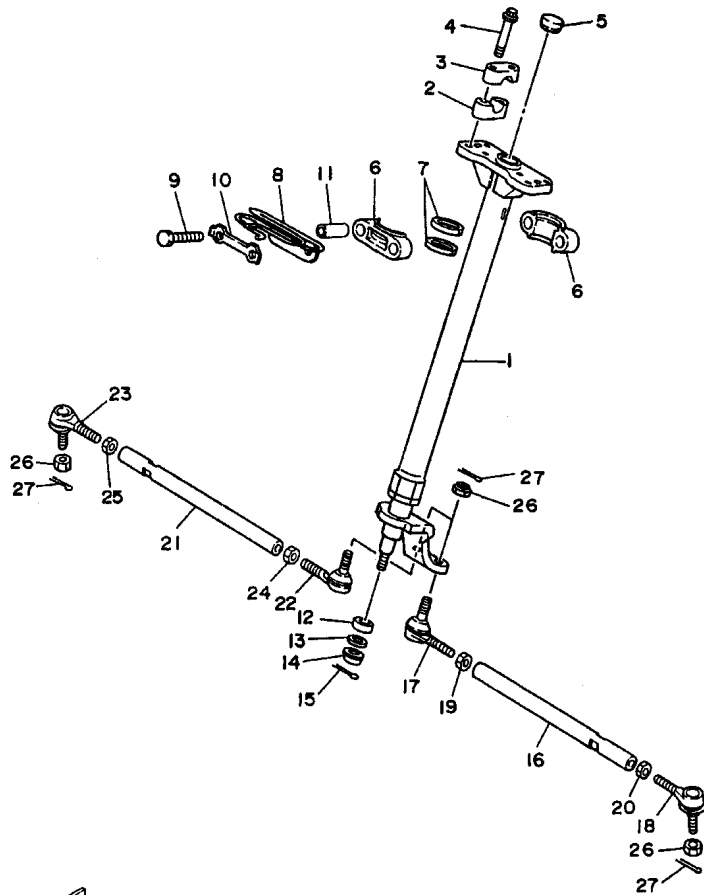
D10

FIG. 26 FRONT SUSPENSION. WHEEL



REF. NO.	PART NO.	DESCRIPTION	J49	CAN	EUR	REMARKS
1	4WU-23540-00	FRONT UPPER ARM COMP. (LEFT)	1	1	1	
2	4WU-23550-00	FRONT UPPER ARM COMP. (RIGHT)	1	1	1	
3	90171-10046	NUT, CASTLE	2	2	2	
4	91401-20020	PIN, COTTER	4	4	4	
5	4KB-23570-10	FRONT LOWER ARM COMP.	2	2	2	
6	90105-10549	BOLT, WASHER BASED	2	2	2	
7	95337-10600	NUT	2	2	2	
8	90201-10430	WASHER, PLATE	2	2	2	
9	2HR-23526-00	BUSH	8	8	8	
10	90105-10253	BOLT, WASHER BASED	8	8	8	
11	90185-10060	NUT, SELF-LOCKING	8	8	8	
12	4KB-23350-10-35	SHOCK ABSORBER ASSY	2	2	2	SL
13	90105-10388	BOLT, WASHER BASED	4	4	4	
14	90185-10060	NUT, SELF-LOCKING	4	4	4	

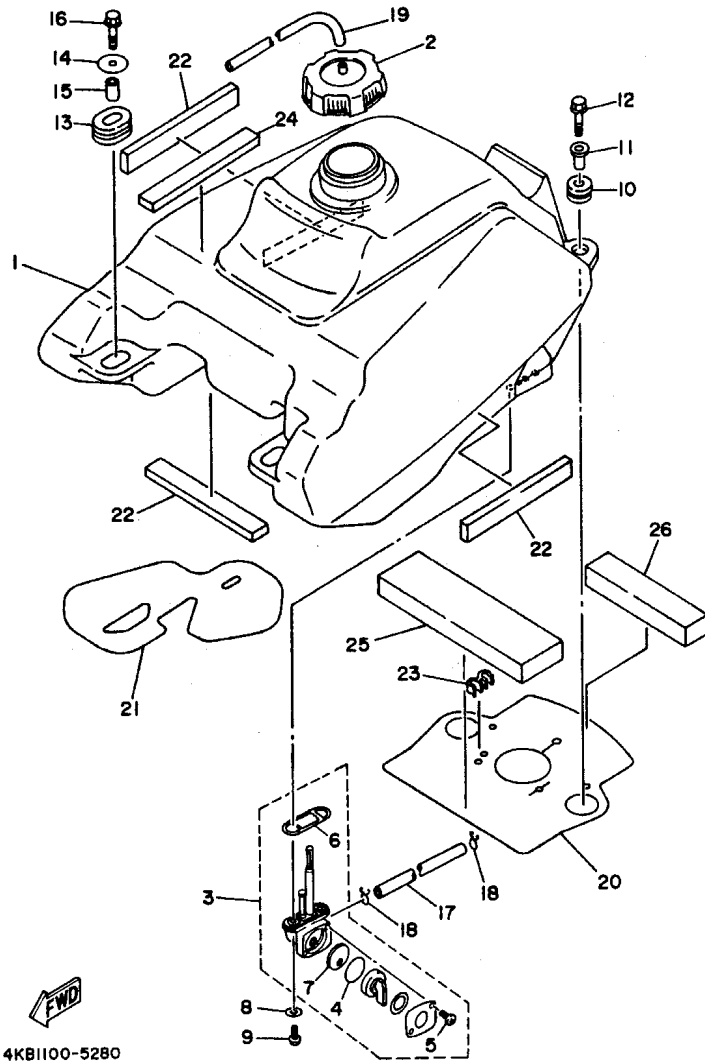
FIG. 27 STEERING



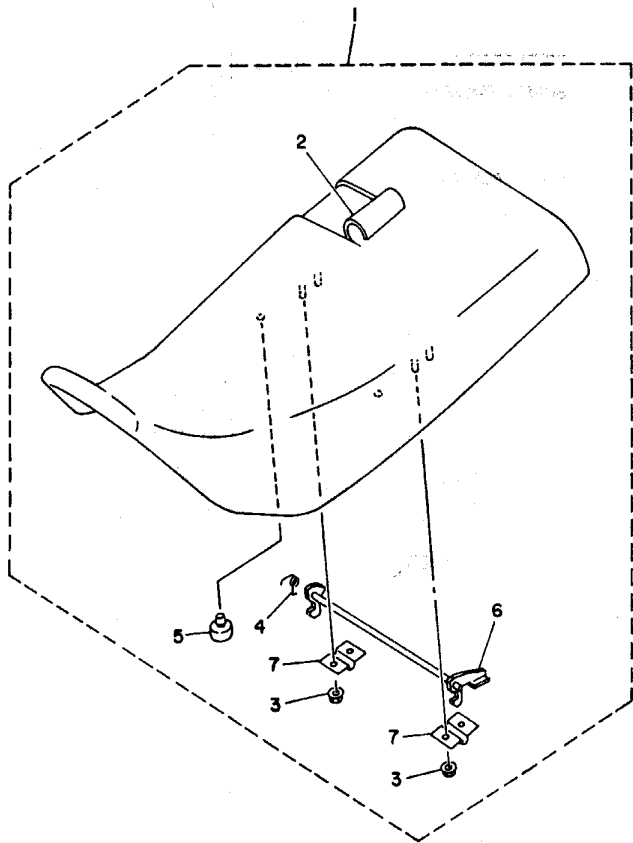
4KB6100-7270

REF. NO.	PART NO.	DESCRIPTION	U49	CAN	EUR	REMARKS
1	3HN-23813-01	COLUMN, STEERING 2	1	1	1	
2	2HR-23442-00	HOLDER, HANDLE LOWER	2	2	2	
3	8K1-23814-00	HOLDER, HANDLE	2	2	2	
4	95827-08050	BOLT, FLANGE	4	4	4	
5	90336-28053	PLUG, TAPER	1	1	1	
6	1UY-23812-00	PLANE BEARING, STEERING	2	2	2	
7	93112-31011	OIL SEAL	2	2	2	
8	4KB-23868-01	BRACKET, STEERING LOWER	1	1	1	
9	97027-08060	BOLT	2	2	2	
10	1UY-23894-01	WASHER, LOCK 1	1	1	1	
11	90387-090R0	COLLAR	2	2	2	
12	90387-176R6	COLLAR	1	1	1	
13	90201-10774	WASHER, PLATE	1	1	1	
14	90185-10115	NUT, SELF-LOCKING	1	1	1	
15	91401-20020	PIN, COTTER	1	1	1	
16	2GU-23831-01	ROD, TIE	1	1	1	
17	1UY-23841-01	JOINT, UNIVERSAL 1	1	1	1	
18	1UY-23845-01	JOINT, UNIVERSAL 2	1	1	1	
19	95307-10700	NUT	1	1	1	
20	90170-10186	NUT	1	1	1	
21	2GU-23831-01	ROD, TIE	1	1	1	
22	1UY-23841-01	JOINT, UNIVERSAL 1	1	1	1	
23	1UY-23845-01	JOINT, UNIVERSAL 2	1	1	1	
24	95307-10700	NUT	1	1	1	
25	90170-10186	NUT	1	1	1	
26	90171-10046	NUT, CASTLE	4	4	4	
27	91401-20020	PIN, COTTER	4	4	4	

FIG. 28 FUEL TANK



REF. NO.	PART NO.	DESCRIPTION	U49	CAN	EUR	REMARKS
1	4KB-24110-00	FUEL TANK COMP.	1	1	1	
2	1UY-24610-00	CAP ASSY	1	1	1	
3	21V-24500-10	FUEL COCK ASSY 1	1	1	1	
4	3AJ-24534-00	.SEAL, COCK	1	1	1	
5	97801-03008	.SCREW, PAN HEAD	2	2	2	
6	4XB-24512-00	.O-RING	1	1	1	
7	3AJ-24523-00	.VALVE PACKING	1	1	1	
8	90202-05193	WASHER, PLATE	2	2	2	
9	90149-06011	SCREW	2	2	2	
10	90480-18290	GROMMET	2	2	2	
11	90387-066J1	COLLAR	2	2	2	
12	90119-06073	BOLT, WITH WASHER	2	2	2	
13	90480-01400	GROMMET	2	2	2	
14	90201-060L5	WASHER, PLATE	2	2	2	
15	90387-07598	COLLAR	2	2	2	
16	90119-06073	BOLT, WITH WASHER	2	2	2	
17	90445-11663	HOSE	1	1	1	
18	90467-10008	CLIP	2	2	2	
19	90445-084J1	HOSE	1	1	1	
20	4KB-2414H-00	DAMPER, PLATE 1	1	1	1	
21	4KB-2414J-00	DAMPER, PLATE 2	1	1	1	
22	3GD-24181-00	DAMPER, LOCATING 1	3	3	3	
23	90464-06214	CLAMP	1	1	1	
24	4KB-24181-00	DAMPER, LOCATING 1	1	1	1	
25	4KB-24182-00	DAMPER, LOCATING 2	1	1	1	
26	4KB-24183-00	DAMPER, LOCATING 3	1	1	1	

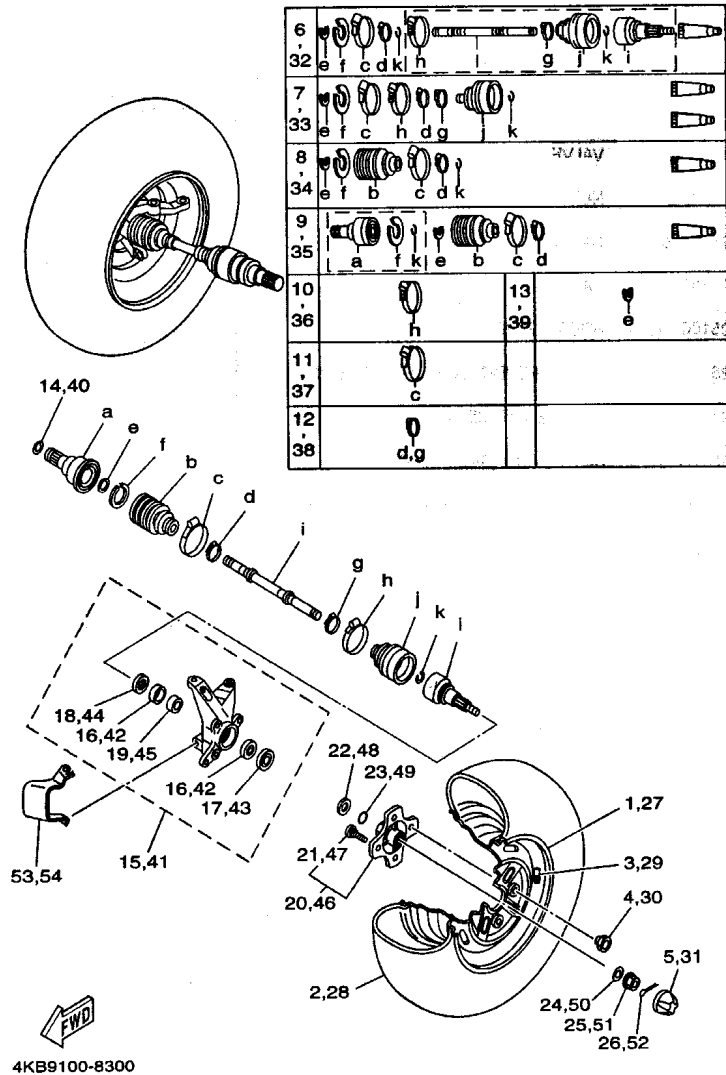


  
4KB1100-5290

FIG. 29 SEAT

REF. NO.	PART NO.	DESCRIPTION	U49	CAN	EUR	REMARKS
1	4KB-24710-10	SINGLE SEAT ASSY	1	1	1	YAMAHA BLACK
2	4KB-24731-10	.COVER, SEAT	1	1	1	YAMAHA BLACK
3	95707-06500	.NUT, FLANGE	4	4	4	
4	90508-23567	.SPRING, TORSION	1	1	1	
5	371-27114-00	.STOPPER, MAIN STAND	2	2	2	
6	4KB-24776-00	.LEVER, SEAT	1	1	1	
7	59V-24775-00	.BRACKET, SEAT LEVER	2	2	2	

FIG. 30 FRONT WHEEL



REF. NO.	PART NO.	DESCRIPTION	U49	CAN	EUR	REMARKS
1	4KB-25180-02-35	WHEEL COMP.	1	1		SILVER
	4KB-25180-02-MA	WHEEL COMP.	1	1	1	GRAY
2	94108-1205R	TIRE (AT23X8-12)	1	1	1	DUNLOP
3	93900-00022	VALVE, RIM	1	1	1	TAIHEIYO
4	90179-10540	NUT	4	4	4	
5	52H-2512A-00	CAP, WHEEL	1	1	1	
6	4KB-2510F-00	BALL JOINT SET	1	1	1	
7	4KB-2510G-00	BOOT SET (BALL JOINT)	1	1	1	
8	4KB-2510H-00	BOOT SET (DOUBLE OFFSET JOINT)	1	1	1	
9	4KB-2510J-00	DOUBLE OFF SET JOINT	1	1	1	
10	3HN-2511G-01	BOOT BAND (BALL JOINT)	1	1	1	
11	4KB-2511H-00	BOOT BAND (DOUBLE OFFSET JOINT)	1	1	1	
12	3HN-2512G-01	BOOT BAND (SMALL)	2	2	2	
13	2HR-2512J-00	SNAP RING	1	1	1	
14	4KB-2512H-00	CIRCLIP	1	1	1	
15	4KB-23501-00	STEERING, KNUCKLE ASSY (LEFT)	1	1	1	
16	93306-00612	.BEARING	2	2	2	
17	93102-38383	.OIL SEAL	1	1	1	
18	93102-38417	.OIL SEAL	1	1	1	
19	90560-30325	.SPACER	1	1	1	
20	4KB-25111-02	HUB, FRONT	1	1	1	
21	90114-10010	.BOLT, SERRATION	4	4	4	
22	90387-281V8	COLLAR	1	1	1	
23	93210-26606	O-RING	1	1	1	
24	90201-162L6	WASHER, PLATE	1	1	1	
25	90171-16048	NUT, CASTLE	1	1	1	
26	91401-30030	PIN, COTTER	1	1	1	

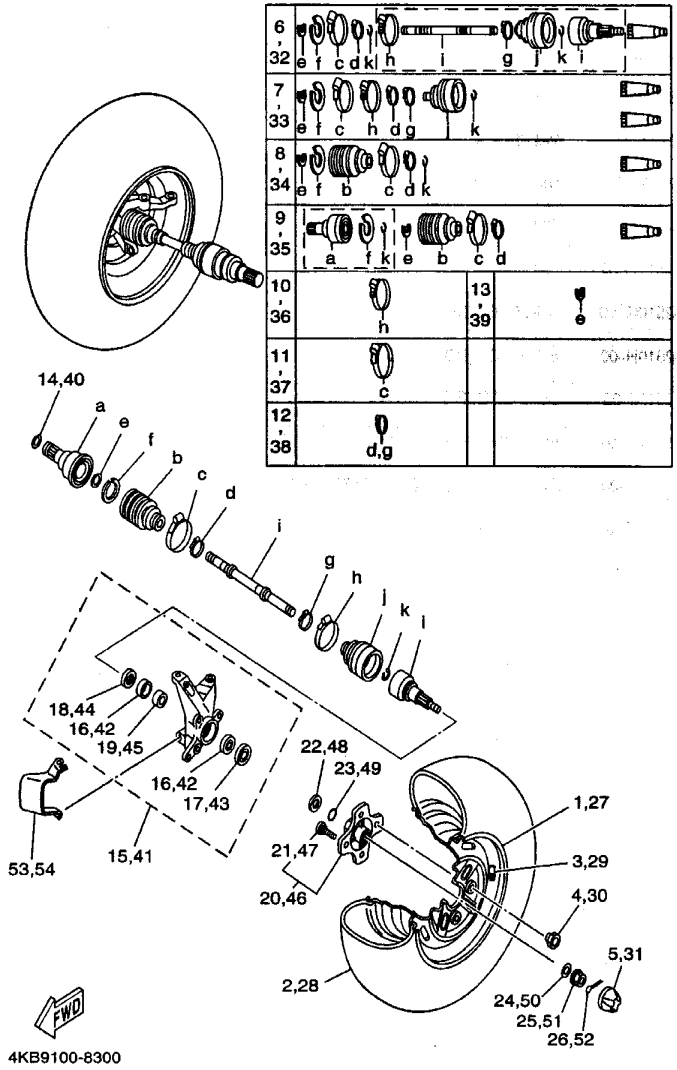
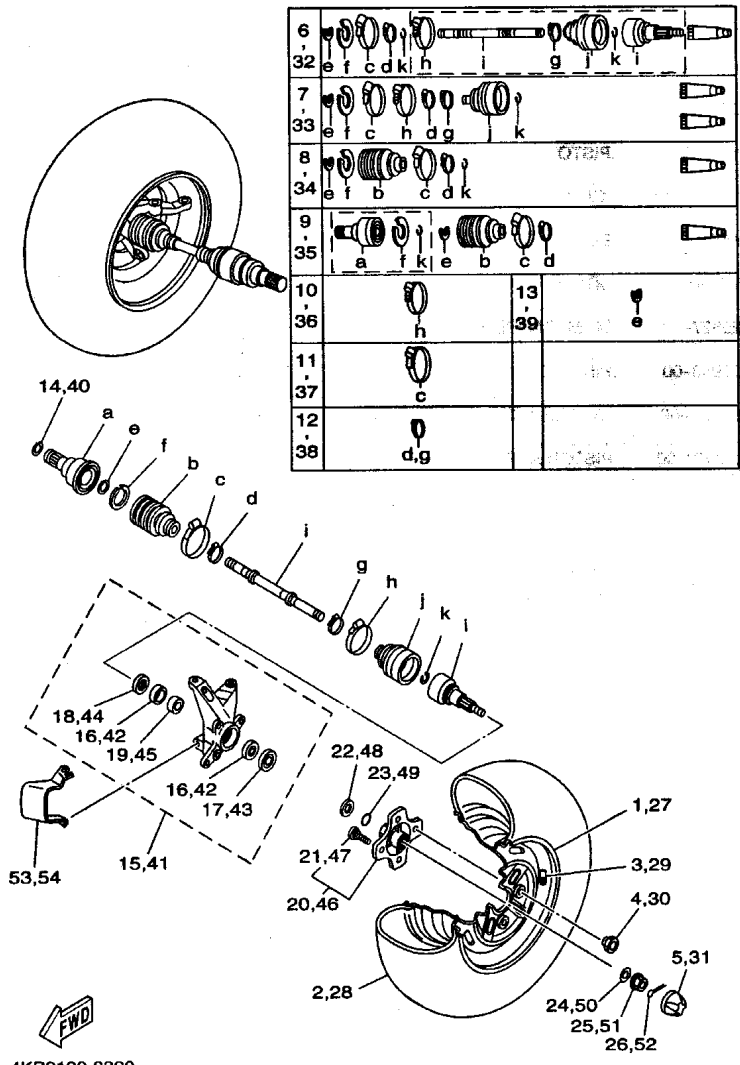


FIG. 30 FRONT WHEEL

REF. NO.	PART NO.	DESCRIPTION	U49	CAN	EUR	REMARKS
27	4KB-25180-02-35	WHEEL COMP.	1	1		SILVER
	4KB-25180-02-MA	WHEEL COMP.	1	1	1	GRAY
28	94108-1205R	TIRE (AT23X8-12)	1	1	1	DUNLOP
29	93900-00022	VALVE, RIM	1	1	1	TAIHEIYO
30	90179-10540	NUT	4	4	4	
<hr/>						
31	52H-2512A-00	CAP, WHEEL	1	1	1	
32	4KB-2510F-00	BALL JOINT SET	1	1	1	
33	4KB-2510G-00	BOOT SET (BALL JOINT)	1	1	1	
34	4KB-2510H-00	BOOT SET (DOUBLE OFFSET JOINT)	1	1	1	
35	4KB-2510J-00	DOUBLE OFF SET JOINT	1	1	1	
<hr/>						
36	3HN-2511G-01	BOOT BAND (BALL JOINT)	1	1	1	
37	4KB-2511H-00	BOOT BAND (DOUBLE OFFSET JOINT)	1	1	1	
38	3HN-2512G-01	BOOT BAND (SMALL)	2	2	2	
39	2HR-2512J-00	SNAP RING	1	1	1	
40	4KB-2512H-00	CIRCLIP	1	1	1	
<hr/>						
41	4KB-23502-00	STEERING, KNUCKLE ASSY (RIGHT)	1	1	1	
42	93306-00612	.BEARING	2	2	2	
43	93102-38383	.OIL SEAL	1	1	1	
44	93102-38417	.OIL SEAL	1	1	1	
45	90560-30325	.SPACER	1	1	1	
<hr/>						
46	4KB-25111-02	HUB, FRONT	1	1	1	
47	90114-10010	.BOLT, SERRATION	4	4	4	
48	90387-281V8	COLLAR	1	1	1	
49	93210-26606	O-RING	1	1	1	
50	90201-162L6	WASHER, PLATE	1	1	1	
<hr/>						
51	90171-16048	NUT, CASTLE	1	1	1	
52	91401-30030	PIN, COTTER	1	1	1	



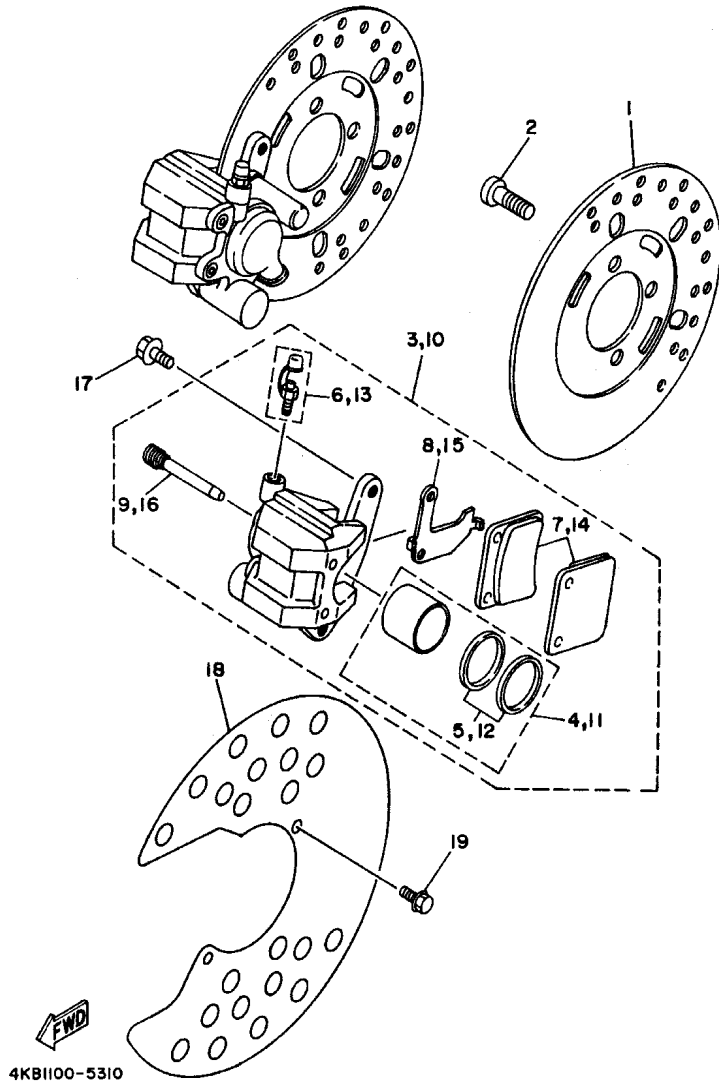


4KB9100-8300

FIG. 30 FRONT WHEEL

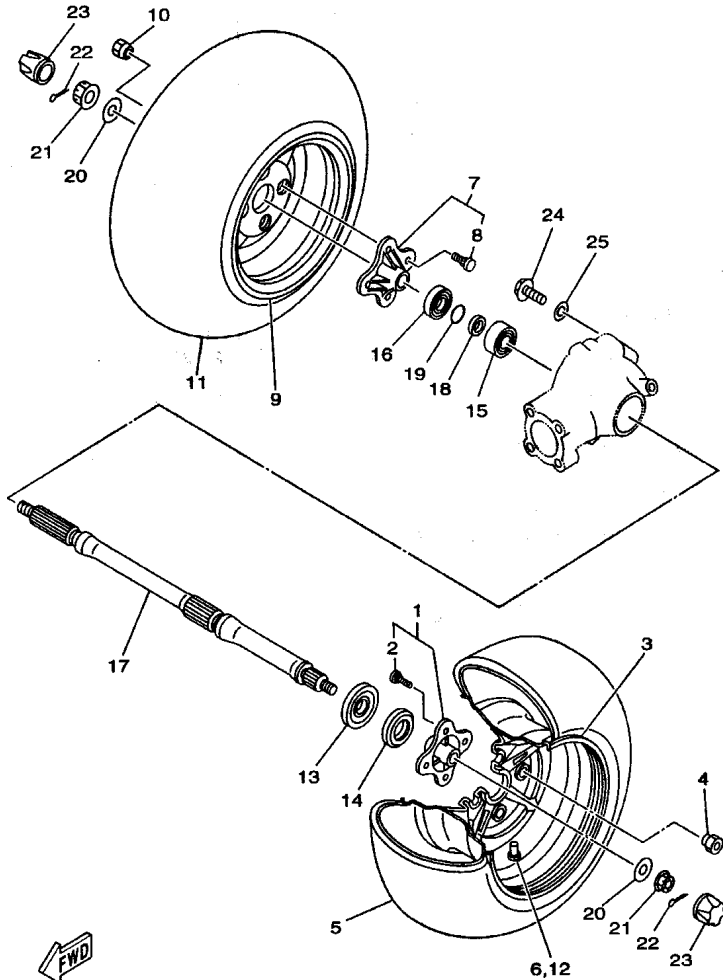
REF. NO.	PART NO.	DESCRIPTION	U49	CAN	EUR	REMARKS
53	4KB-2331M-00	COVER,RING (LEFT)	1	1	1	
54	4KB-2331N-00	COVER, RING (RIGHT)	1	1	1	
<hr/>						
<hr/>						
<hr/>						
<hr/>						
<hr/>						
<hr/>						
<hr/>						
<hr/>						
<hr/>						

FIG. 31 FRONT BRAKE CALIPER



REF. NO.	PART NO.	DESCRIPTION	USA	CAN	EUR	REMARKS
			2	1	1	
1	4KB-2582T-00	DISC, BRAKE	2	1	1	
2	90149-08268	SCREW	8	8	8	
3	3GD-2580T-00	CALIPER ASSY (LEFT)	1	1	1	
4	3GD-W0057-00	PISTON ASSY, CALIPER	1	1	1	
5	3GD-W0047-00	CALIPER SEAL KIT	1	1	1	
6	1UY-W0048-50	BLEED SCREW KIT	1	1	1	
7	3GD-W0045-00	BRAKE PAD KIT	1	1	1	
8	3GD-25827-00	SHIM, CALIPER	1	1	1	
9	3GD-25933-00	PIN, PAD	2	2	2	
10	3GD-2580U-00	CALIPER ASSY (RIGHT)	1	1	1	
11	3GD-W0057-00	PISTON ASSY, CALIPER	1	1	1	
12	3GD-W0047-00	CALIPER SEAL KIT	1	1	1	
13	1UY-W0048-50	BLEED SCREW KIT	1	1	1	
14	3GD-W0045-00	BRAKE PAD KIT	1	1	1	
15	3GD-25828-00	SHIM, CALIPER	1	1	1	
16	3GD-25933-00	PIN, PAD	2	2	2	
17	90105-08538	BOLT, WASHER BASED	4	4	4	
18	4KB-2514A-00	RING, WHEEL 1 (LEFT)	2	2	2	
19	95827-06012	BOLT, FLANGE	4	4	4	

FIG. 32 REAR WHEEL

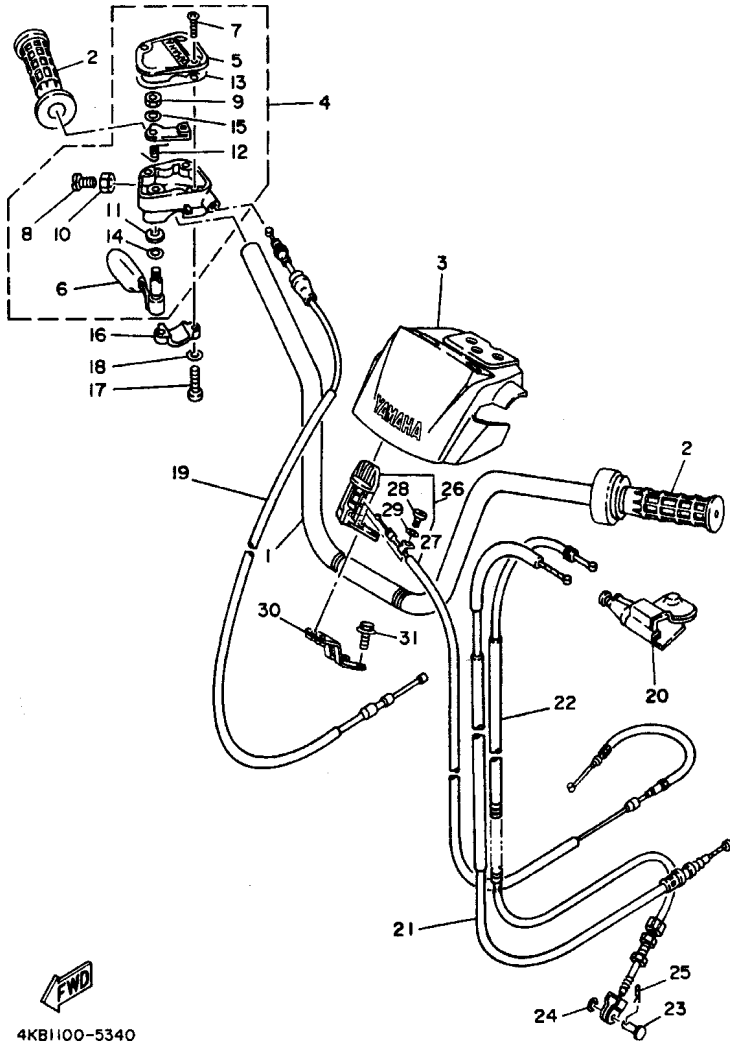


FWD  
4KB9100-8320

REF. NO.	PART NO.	DESCRIPTION	U49	CAN	EUR	REMARKS
1	2HR-25383-01	COLLAR, WHEEL	1	1	1	
2	90114-10010	.BOLT, SERRATION	4	4	4	
3	4KB-25390-01-35	REAR WHEEL COMP.	1	1		SILVER
	4KB-25390-01-MA	REAR WHEEL COMP.	1	1	1	GRAY
4	90179-10540	NUT	4	4	4	
5	94110-1205P	TIRE (AT23X10-12)	1	1	1	DUNLOP
6	93900-00022	VALVE, RIM	1	1	1	TAIHEIYO
7	2HR-25383-01	COLLAR, WHEEL	1	1	1	
8	90114-10010	.BOLT, SERRATION	4	4	4	
9	4KB-25390-01-35	REAR WHEEL COMP.	1	1		SILVER
	4KB-25390-01-MA	REAR WHEEL COMP.	1	1	1	GRAY
10	90179-10540	NUT	4	4	4	
11	94110-1205P	TIRE (AT23X10-12)	1	1	1	DUNLOP
12	93900-00022	VALVE, RIM	1	1	1	TAIHEIYO
13	93306-00805	BEARING	1	1	1	
14	93106-42037	OIL SEAL	1	1	1	
15	93306-20531	BEARING	1	1	1	
16	93102-38383	OIL SEAL	1	1	1	
17	4KB-25381-11	AXLE, WHEEL	1	1	1	
18	90387-284T0	COLLAR	1	1	1	
19	93210-26606	O-RING	1	1	1	
20	90201-162L6	WASHER, PLATE	2	2	2	
21	90171-16048	NUT, CASTLE	2	2	2	
22	91401-30030	PIN, COTTER	2	2	2	
23	52H-2512A-00	CAP, WHEEL	2	2	2	
24	90105-10751	BOLT, WASHER BASED	4	4	4	
25	90201-101J1	WASHER, PLATE	4	4	4	



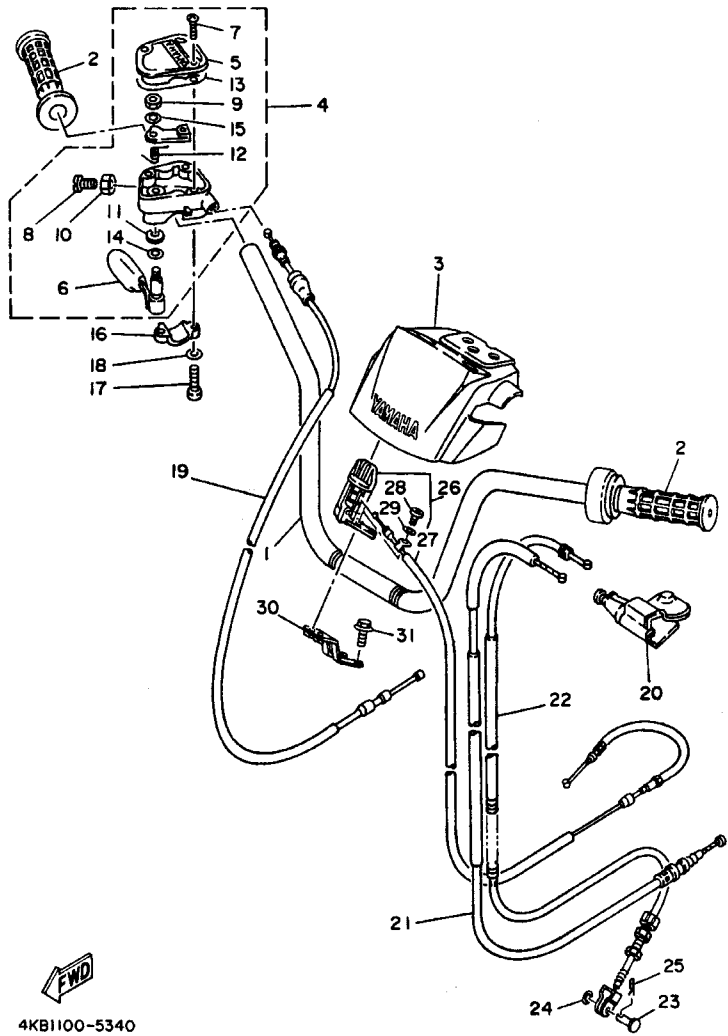
FIG. 34 STEERING HANDLE. CABLE



4KB1100-5340

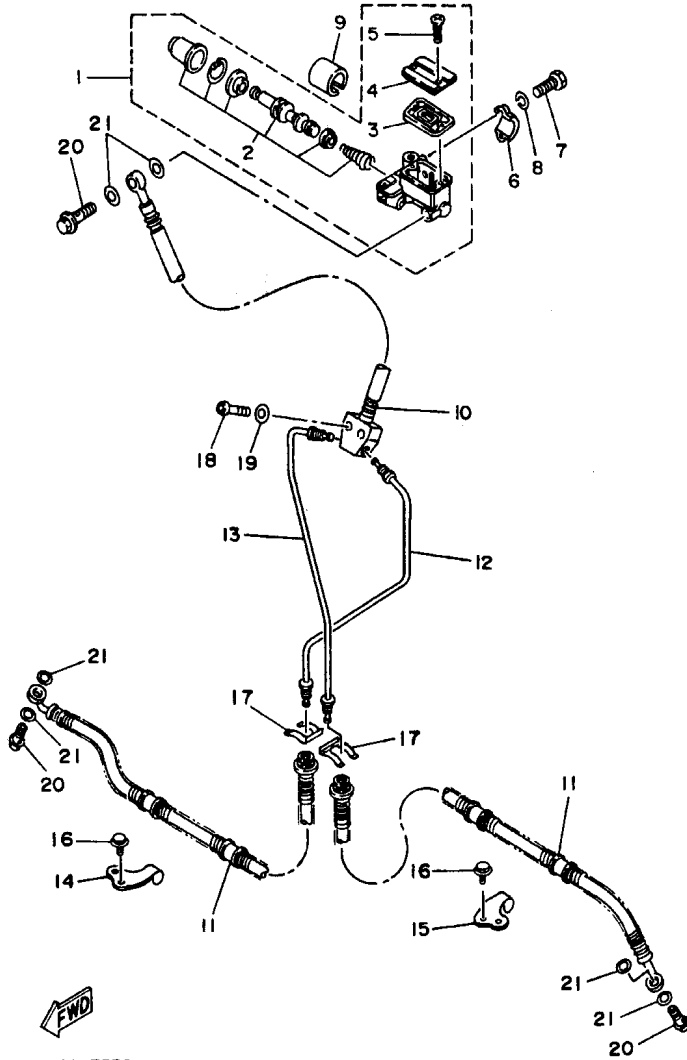
REF. NO.	PART NO.	DESCRIPTION				REMARKS
			U49	CAN	EUR	
1	2HR-26111-00	HANDLEBAR	1	1	1	
2	3GB-26241-00	GRIP (LEFT)	2	2	2	
3	5FE-26124-10	PROTECTOR, HANDLEBAR	1	1	1	
4	4KB-26250-00	THROTTLE LEVER ASSY	1	1	1	
5	4KB-2628F-00	.CAP, GEAR	1	1	1	
6	1NV-2625G-01	.LEVER, THROTTLE	1	1	1	
7	90149-04278	.SCREW	3	3	3	
8	98507-05020	.SCREW, PAN HEAD	1	1	1	
9	95607-05100	.NUT, U	1	1	1	
10	95307-05700	.NUT	1	1	1	
11	93104-09025	.OIL SEAL	1	1	1	
12	1NV-26304-00	.SPRING	1	1	1	
13	4KB-2628G-00	.GASKET	1	1	1	
14	1NV-26129-00	.WASHER	1	1	1	
15	1NV-26398-00	.WASHER	1	1	1	
16	4V4-82913-00	HOLDER, LEVER LOWER 1	1	1	1	
17	98507-05020	SCREW, PAN HEAD	2	2	2	
18	92907-05100	WASHER, SPRING	2	2	2	
19	4KB-26311-10	CABLE, THROTTLE 1	1	1	1	
20	1UY-2637A-01	COVER, HANDLE LEVER 2	1	1	1	
21	4KB-26341-00	CABLE, BRAKE	1	1	1	
22	4KB-26351-00	CABLE, BRAKE	1	1	1	
23	90240-06076	PIN, CLEVIS	1	1	1	
24	90201-06042	WASHER, PLATE	1	1	1	
25	91401-20012	PIN, COTTER	1	1	1	
26	4KB-26150-01	REV. LEVER ASSY.	1	1	1	
27	4KB-2637E-00	WIRE, CONTROL 1	1	1	1	

FIG. 34 STEERING HANDLE. CABLE



REF. NO.	PART NO.	DESCRIPTION	U49	CAN	EUR	REMARKS
28	98507-05018	SCREW, PAN HEAD	2	2	2	
29	92907-05600	WASHER, PLATE	2	2	2	
30	4KB-2612E-00	BRACKET	1	1	1	
31	95807-06012	BOLT, FLANGE	2	2	2	

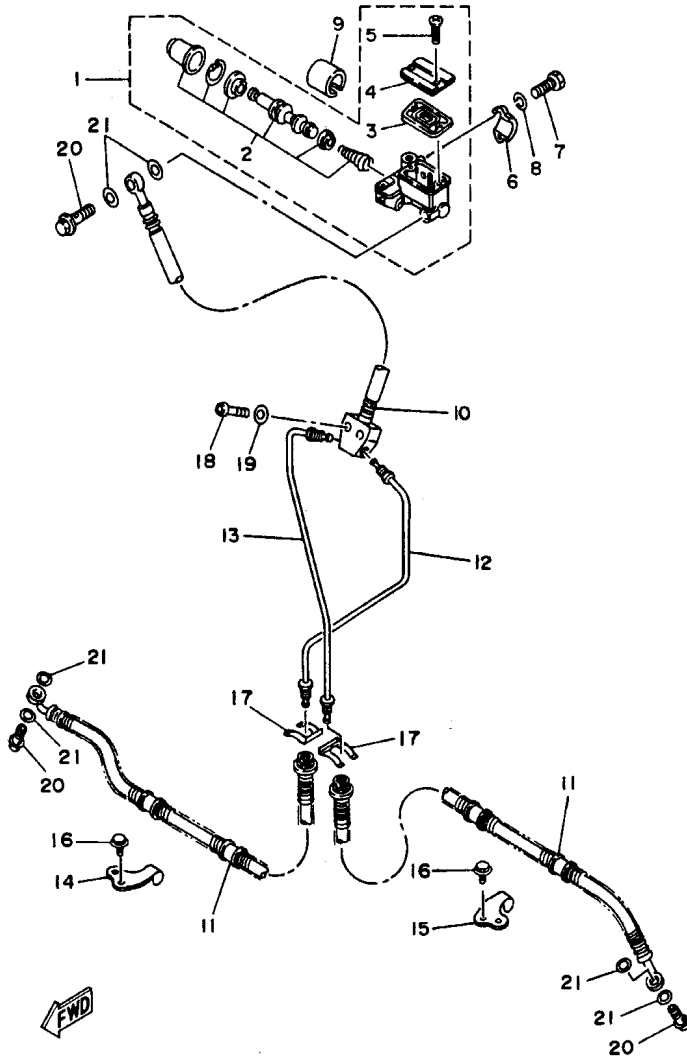
FIG. 35 FRONT MASTER CYLINDER



4KB6100-7350

REF. NO.	PART NO.	DESCRIPTION	U49	CAN	EUR	REMARKS
1	2GU-25870-00	MASTER CYLINDER SUB ASSY	1		1	
2	4H7-W0041-50	.CYLINDER KIT, MASTER	1		1	
3	4L0-25854-00	.DIAPHRAGM, RESERVOIR	1		1	
4	4H7-25852-00	.CAP, RESERVOIR	1		1	
5	98706-04012	.SCREW, FLAT HEAD	2		2	
6	56A-25867-00	BRACKET, MASTER CYLINDER	1		1	
7	97017-06025	BOLT	2		2	
8	92907-06600	WASHER, PLATE	2		2	
9	1UY-26259-00	COLLAR	1		1	
10	4KB-25872-00	HOSE, BRAKE 1	1		1	
11	4KB-25873-00	HOSE, BRAKE 2	2		2	
12	4KB-25871-00	PIPE, BRAKE	1		1	
13	4KB-25882-00	PIPE, BRAKE 2	1		1	
14	4GB-25875-00	HOLDER, BRAKE HOSE 1	1		1	
15	4GB-25876-00	HOLDER, BRAKE HOSE 2	1		1	
16	95827-06012	BOLT, FLANGE	2		2	
17	2GU-25866-00	CIRCLIP	2		2	
18	97027-08030	BOLT	2		2	
19	92907-08600	WASHER, PLATE	2		2	
20	90401-10159	BOLT, UNION	3		3	
21	90201-10118	WASHER, PLATE	6		6	

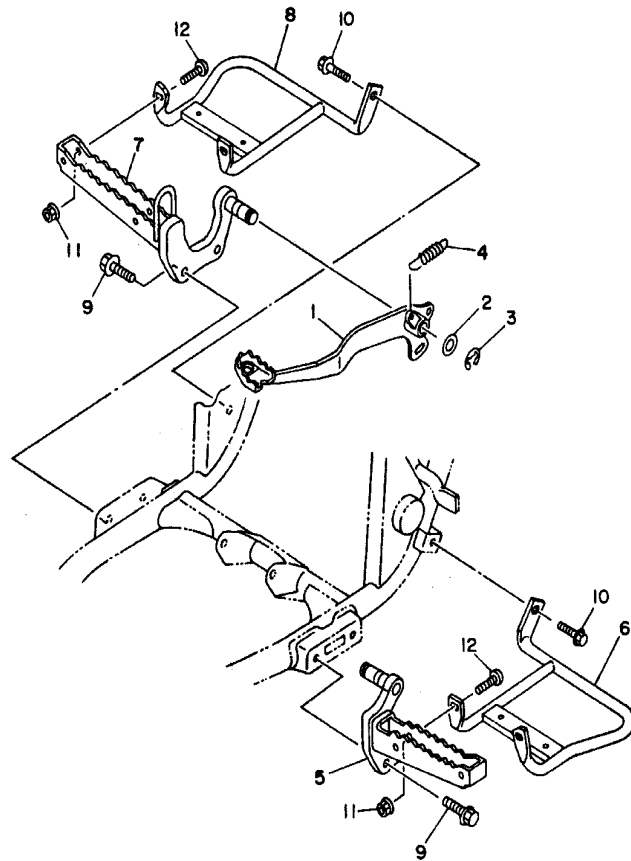
FIG. 35 FRONT MASTER CYLINDER



REF. NO.	PART NO.	DESCRIPTION	U49	CAN	EUR	REMARKS
1	2GU-25870-00	MASTER CYLINDER SUB ASSY	1		1	
2	4H7-W0041-50	.CYLINDER KIT, MASTER	1		1	
3	4L0-25854-00	.DIAPHRAGM, RESERVOIR	1		1	
4	4H7-25852-00	.CAP, RESERVOIR	1		1	
5	98706-04012	.SCREW, FLAT HEAD	2		2	
6	56A-25867-00	BRACKET, MASTER CYLINDER	1		1	
7	97017-06025	BOLT	2		2	
8	92907-06600	WASHER, PLATE	2		2	
9	1UY-26259-00	COLLAR	1		1	
10	4KB-25872-00	HOSE, BRAKE 1	1		1	
11	4KB-25873-00	HOSE, BRAKE 2	2		2	
12	4KB-25871-00	PIPE, BRAKE	1		1	
13	4KB-25882-00	PIPE, BRAKE 2	1		1	
14	4GB-25875-00	HOLDER, BRAKE HOSE 1	1		1	
15	4GB-25876-00	HOLDER, BRAKE HOSE 2	1		1	
16	95827-06012	BOLT, FLANGE	2		2	
17	2GU-25866-00	CIRCLIP	2		2	
18	97027-08030	BOLT	2		2	
19	92907-08600	WASHER, PLATE	2		2	
20	90401-10159	BOLT, UNION	3		3	
21	90201-10118	WASHER, PLATE	6		6	

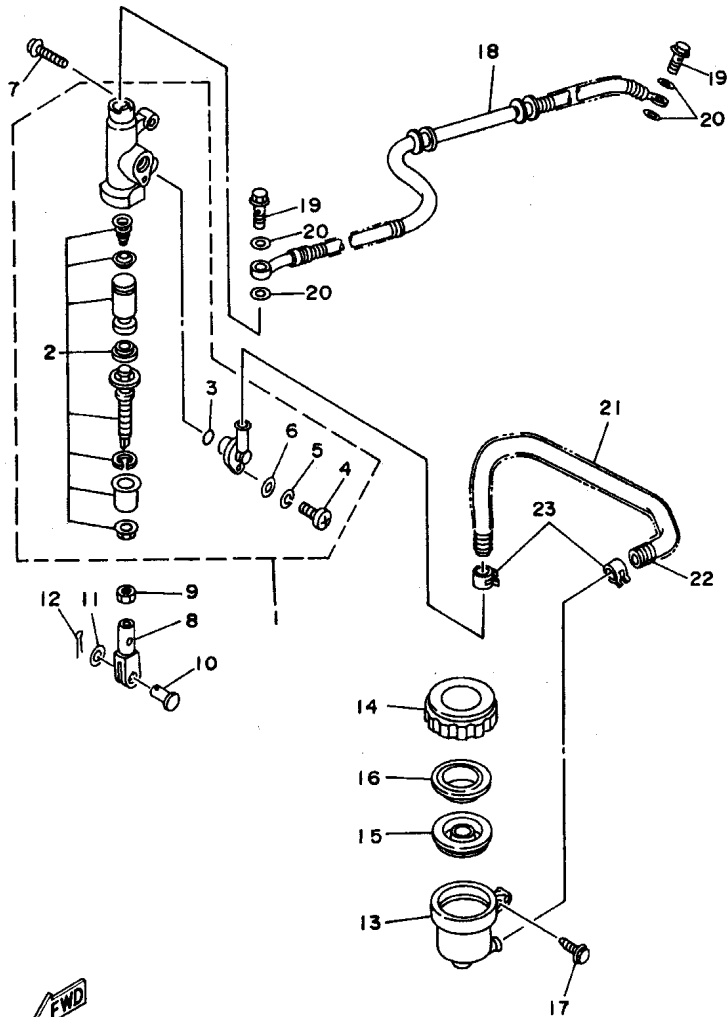


FIG. 37 STAND. FOOTREST



  
4KB1100-5360

REF. NO.	PART NO.	DESCRIPTION	U49	CAN	EUR	REMARKS
1	4KB-27211-00	PEDAL, BRAKE	1	1	1	
2	90201-15797	WASHER, PLATE	1	1	1	
3	93430-12008	CIRCLIP	1	1	1	
4	90506-20492	SPRING, TENSION	1	1	1	
5	4KB-27411-00	FOOTREST 1	1	1	1	
6	4KB-27445-00	PLATE 1	1	1	1	
7	4KB-27421-00	FOOTREST 2	1	1	1	
8	4KB-27446-00	PLATE 2	1	1	1	
9	95817-10020	BOLT, FLANGE	4	4	4	
10	95827-08012	BOLT, FLANGE	2	2	2	
11	95707-08500	NUT, FLANGE	4	4	4	
12	92017-08016	BOLT, BUTTON HEAD	4	4	4	

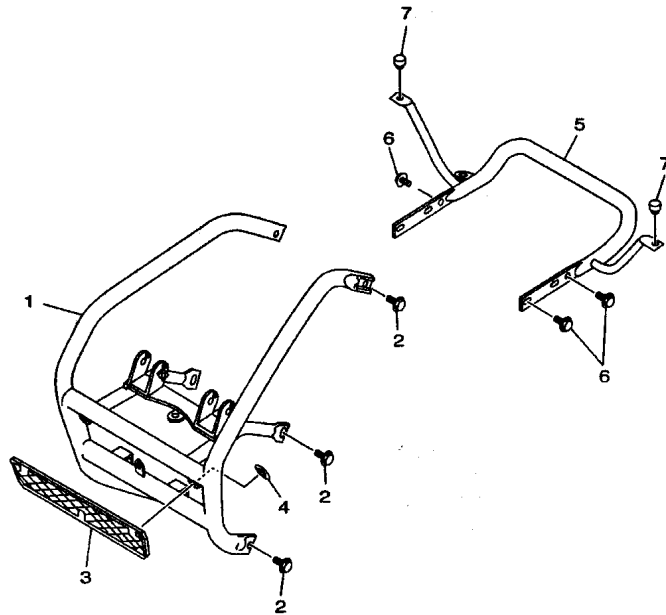


**FWD**  
4KB1100-5370

**FIG. 38 REAR MASTER CYLINDER**

REF. NO.	PART NO.	DESCRIPTION	U49	CAN	EUR	REMARKS
1	2NL-25850-50	MASTER CYLINDER ASSY	1	1	1	
2	2NL-W0042-50	.CYLINDER KIT, MASTER	1	1	1	
3	93210-15620	.O-RING	1	1	1	
4	98501-04012	.SCREW, PAN HEAD	1	1	1	
5	92901-04100	.WASHER, SPRING	1	1	1	
6	92901-04600	.WASHER, PLATE	1	1	1	
7	92017-08025	BOLT, BUTTON HEAD	2	2	2	
8	31A-27222-00	JOINT	1	1	1	
9	95307-08700	NUT	1	1	1	
10	90240-08013	PIN, CLEVIS	1	1	1	
11	90201-08083	WASHER, PLATE	1	1	1	
12	91401-16012	PIN, COTTER	1	1	1	
13	47X-25894-00	TANK, RESERVOIR	1	1	1	
14	2GU-25852-50	CAP, RESERVOIR	1	1	1	
15	360-25854-01	DIAPHRAGM, RESERVOIR	1	1	1	
16	2GU-25855-00	BUSH, DIAPHRAGM	1	1	1	
17	90119-06060	BOLT, WITH WASHER	1	1	1	
18	4KB-25874-00	HOSE, BRAKE	1	1	1	
19	90401-10159	BOLT, UNION	2	2	2	
20	90201-10118	WASHER, PLATE	4	4	4	
21	4KB-25895-00	HOSE, RESERVOIR	1	1	1	
22	90501-102E8	SPRING, COMPRESSION	1	1	1	
23	90467-14057	CLIP	2	2	2	

FIG. 39 GUARD

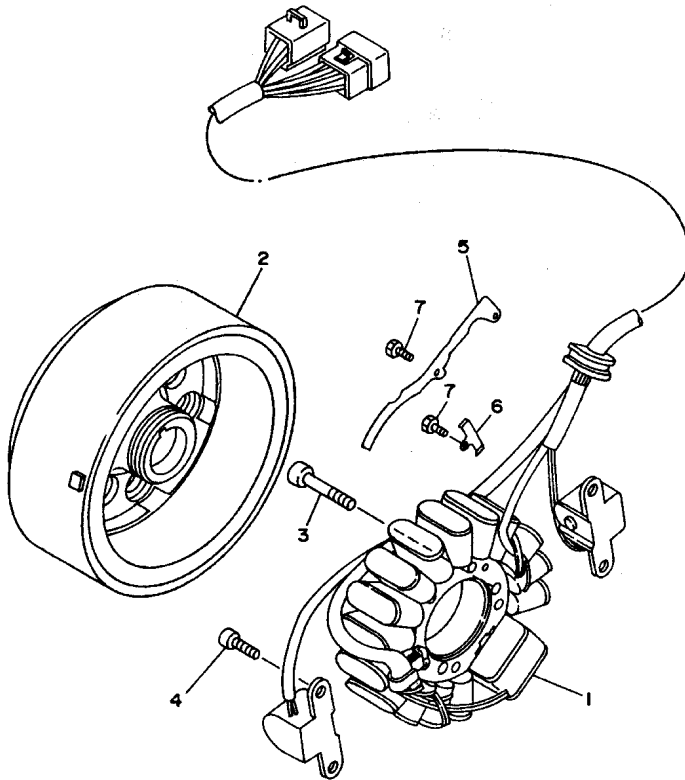


REF. NO.	PART NO.	DESCRIPTION	U49	CAN	EUR	REMARKS
1	4KB-2845N-10	BAR, CARRY FRONT	1			UR GRAY
	4KB-2845N-31	BAR, CARRY FRONT	1			UR SILVER
	4KB-2845N-B0	BAR, CARRY FRONT		1	1	UR GRAY
	4KB-2845N-D1	BAR, CARRY FRONT		1		UR SILVER
2	95817-08016	BOLT, FLANGE	6	6	6	
3	4KB-13463-00	COVER, OIL COOLER	1	1	1	
4	90183-06011	NUT, SPRING	3	3	3	
5	4KB-2845R-20	BAR, CARRY REAR	1			
	4KB-2845R-30	BAR, CARRY REAR		1	1	
6	95817-08016	BOLT, FLANGE	3	3	3	
7	4N0-27114-00	STOPPER, MAIN STAND	2	2	2	



4KBD100-9390

**FIG. 40 GENERATOR**



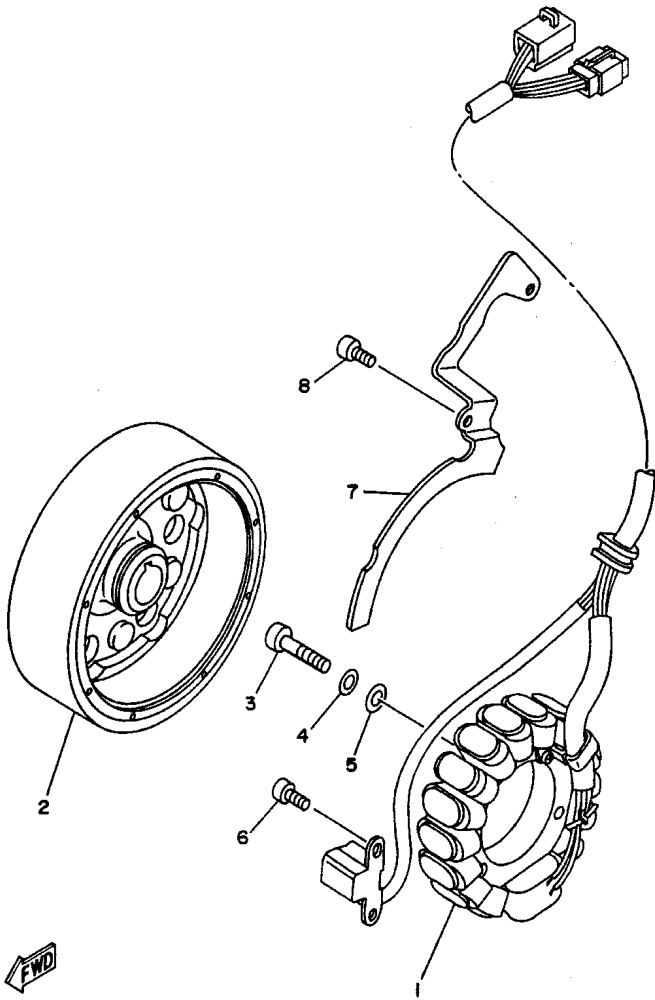
REF. NO.	PART NO.	DESCRIPTION	J49	CAN	EUR	REMARKS
1	4KB-85510-00	STATOR ASSY	1			
2	4KB-85550-00	ROTOR ASSY	1			
3	91317-05030	BOLT	3			
4	91317-05012	BOLT	4			
5	4KB-15113-00	PLATE	1			
6	4KB-1541A-00	STAY,CRANKCASECOVER 1	1			
7	91317-05012	BOLT	3			

**4KB1100-5400**

**E14**

FIG. 41 GENERATOR 2

REF. NO.	PART NO.	DESCRIPTION	U49	CAN	EUR	REMARKS
1	4KB-85510-12	STATOR ASSY		1	1	
2	4KB-85550-11	ROTOR ASSY		1	1	
3	98507-06030	SCREW, PAN HEAD		3	3	
4	92907-06100	WASHER, SPRING		3	3	
5	92907-06600	WASHER, PLATE		3	3	
6	91317-05012	BOLT		2	2	
7	4KB-15113-10	PLATE		1	1	
8	91317-05012	BOLT		2	2	



4KB1100-5410

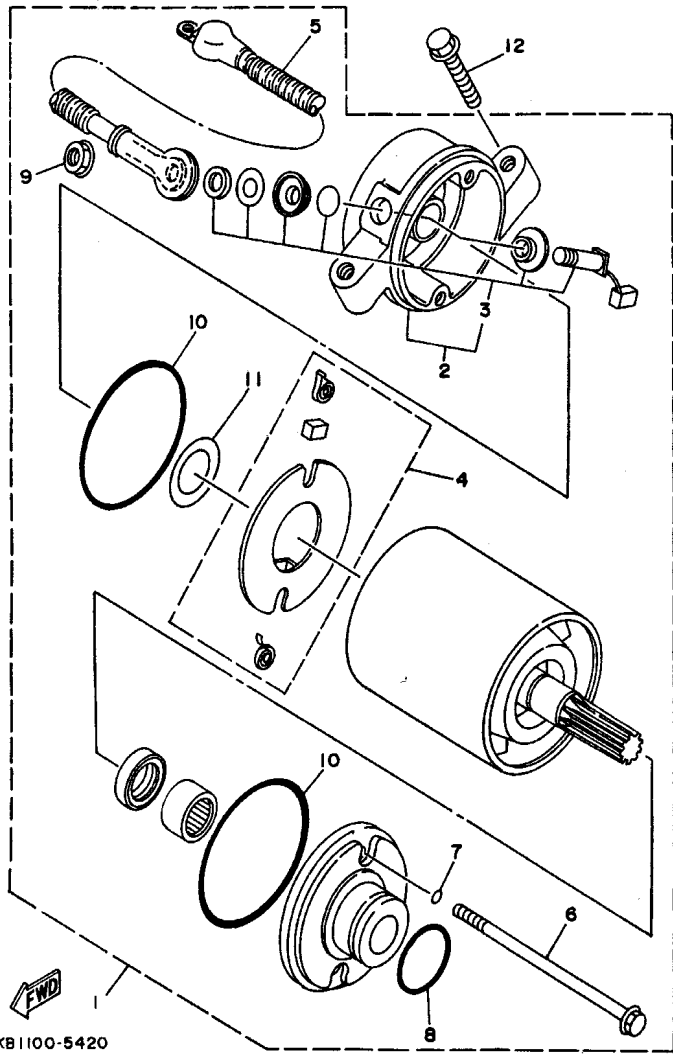
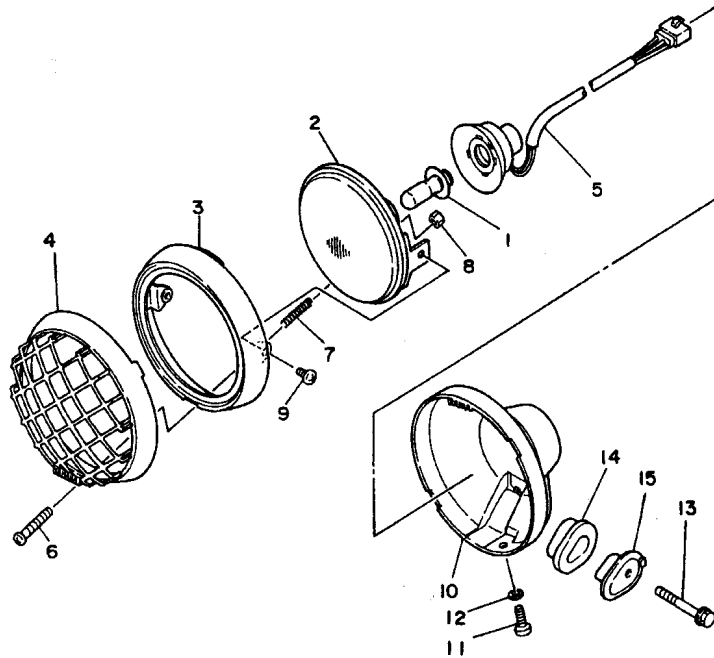


FIG. 42 STARTING MOTOR

REF. NO.	PART NO.	DESCRIPTION	U49	CAN	EUR	REMARKS
1	4KB-81800-00	STARTING MOTOR ASSY	1	1	1	
2	4KB-81820-00	.REAR BRACKET ASSY	1	1	1	
3	4KB-81818-00	.BLUSH AND BOLT	1	1	1	
4	4H7-81840-00	.BRUSH HOLDER ASSY	1	1	1	
5	4KB-81815-00	.CORD, STARTER MOTOR	1	1	1	
6	3GD-81826-00	.BOLT, THROUGH	2	2	2	
7	8L6-81847-50	.O-RING	2	2	2	
8	1UY-81847-50	.O-RING	1	1	1	
9	95302-06600	.NUT	1	1	1	
10	4H7-81844-50	.O-RING	2	2	2	
11	4H7-81843-50	.WASHER 1	1	1	1	
12	95027-06030	BOLT, FLANGE	2	2	2	

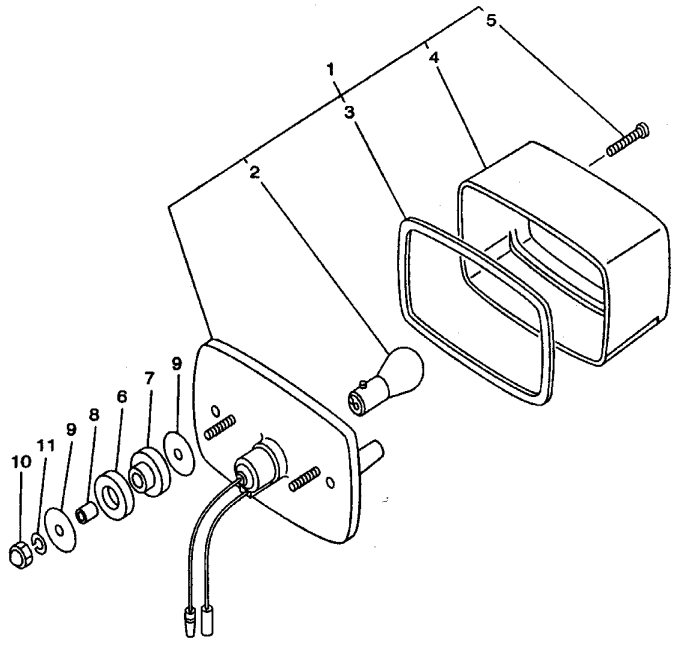
FIG. 43 HEADLIGHT



REF. NO.	PART NO.	DESCRIPTION	U49	CAN	EUR	REMARKS
1	4KB-84314-00	BULB (12V30/30W)	2	2	2	
2	2GU-84320-00	LENS ASSY	2	2	2	
3	2GU-84315-00	RIM, HEADLIGHT	2	2	2	
4	2GU-84159-00	GUARD, HEAD LIGHT	2	2	2	
5	4KB-84340-00	SOCKET CORD ASSY 1	2	2	2	
6	2GU-84331-00	SCREW, RIM ADJUSTING	2	2	2	
7	2GU-84332-00	SPRING, SCREW	2	2	2	
8	2GU-84334-00	NUT, ADJUSTING	2	2	2	
9	98507-05008	SCREW, PAN HEAD	4	4	4	
10	2GU-84330-70	BODY ASSY	2	2	2	YB
11	98507-05016	SCREW, PAN HEAD	2	2	2	
12	92907-05100	WASHER, SPRING	2	2	2	
13	95807-08055	BOLT, FLANGE	2	2	2	
14	3GD-84345-00	DAMPER, HEADLIGHT	4	4	4	
15	2GU-84338-00	COLLAR, BODY FITTING	4	4	4	



4KB1100-5430

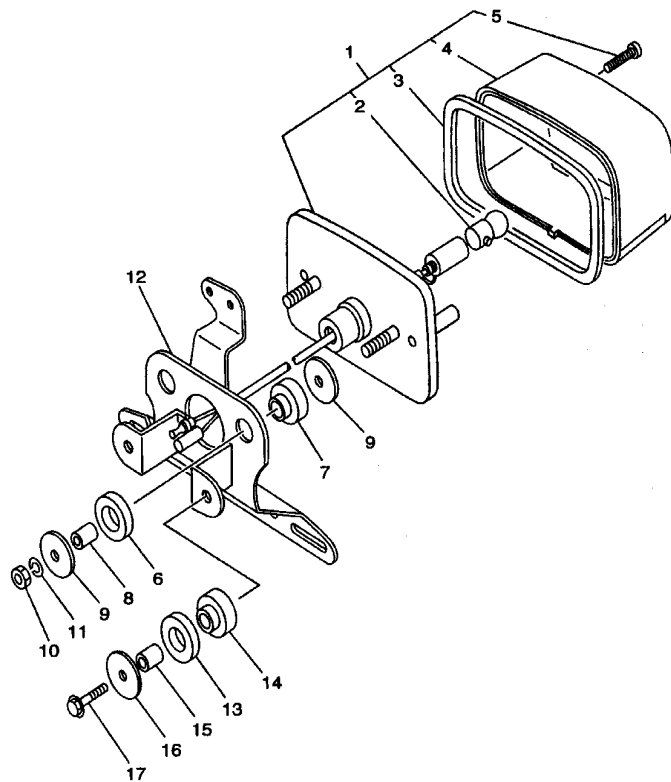


  
 4KBD100-9440

FIG. 44 TAILLIGHT

REF. NO.	PART NO.	DESCRIPTION	U49	CAN	EUR	REMARKS
1	4XE-84710-00	TAILLIGHT UNIT ASSY	1		1	
2	3GD-84714-00	.BULB (12V-7.5W)	1		1	
3	1K8-84523-00	.GASKET, LENS	1		1	
4	3L6-84521-00	.LENS, TAILLIGHT	1		1	
5	2E9-84524-00	.SCREW, LENS FITTING	2		2	
6	90202-14077	WASHER, PLATE	2		2	
7	90480-14088	GROMMET	2		2	
8	90560-07007	SPACER	2		2	
9	90201-06074	WASHER, PLATE	4		4	
10	95307-06800	NUT	2		2	
11	92907-06100	WASHER, SPRING	2		2	

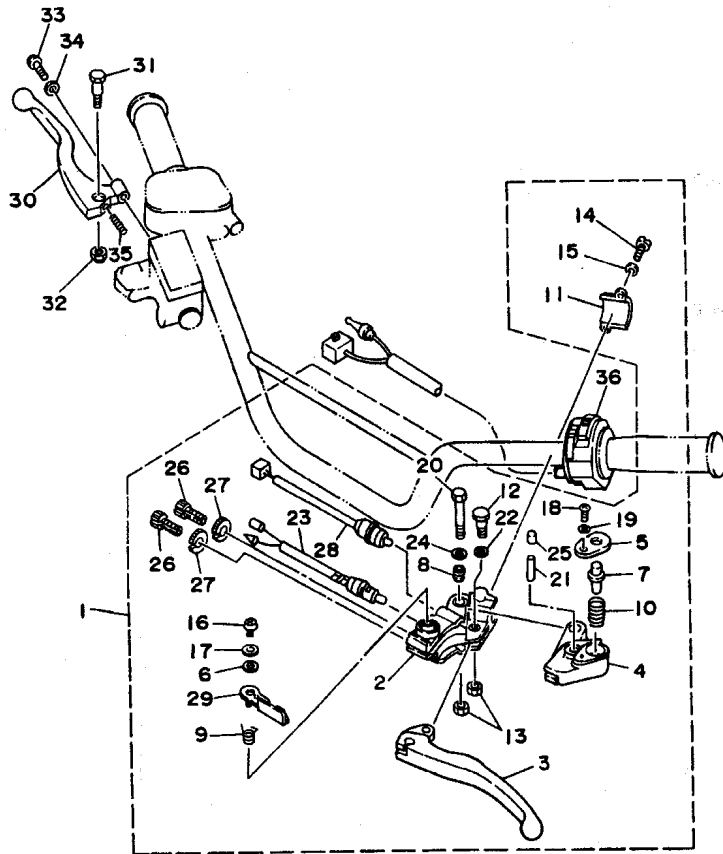




4KBD100-9450

FIG. 45 TAILLIGHT 2

REF. NO.	PART NO.	DESCRIPTION	U49	CAN	EUR	REMARKS
1	4XE-84710-00	TAILLIGHT UNIT ASSY		1		
2	3GD-84714-00	.BULB (12V-7.5W)		1		
3	1K8-84523-00	.GASKET, LENS		1		
4	3L6-84521-00	.LENS, TAILLIGHT		1		
5	2E9-84524-00	.SCREW, LENS FITTING		2		
6	90202-14077	WASHER, PLATE		2		
7	90480-14088	GROMMET		2		
8	90387-06595	COLLAR		2		
9	90201-06074	WASHER, PLATE		4		
10	95307-06600	NUT		2		
11	92907-06100	WASHER, SPRING		2		
12	3GH-84702-00	BRACKET, TAILLIGHT		1		
13	90202-14077	WASHER, PLATE		2		
14	90480-14088	GROMMET		2		
15	90387-06595	COLLAR		2		
16	90201-06074	WASHER, PLATE		2		
17	95807-06025	BOLT, FLANGE		2		

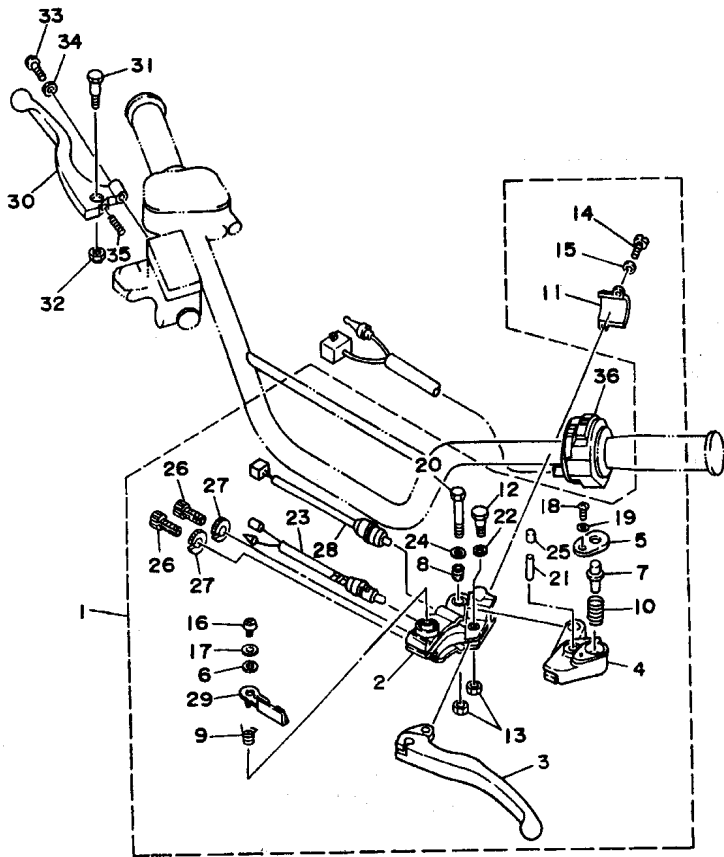


4KB3100-6461

FIG. 46 HANDLE SWITCH. LEVER

REF. NO.	PART NO.	DESCRIPTION	U49	CAN	EUR	REMARKS
1	4KB-82910-10	LEVER HOLDER ASSY (LEFT)	1	1	1	
2	4KB-82911-00	.HOLDER, LEVER 1	1	1	1	
3	1UY-83912-01	.LEVER 1	1	1	1	
4	1UY-83922-01	.LEVER 2	1	1	1	
5	1UY-83935-00	.COVER	1	1	1	
6	1UY-83909-00	.WASHER, SPECIAL	1	1	1	
7	1UY-83967-00	.PIN, LOCK 1	1	1	1	
8	1UY-83913-00	.COLLAR, LEVER 1	1	1	1	
9	1UY-83966-00	.SPRING, RETURN	1	1	1	
10	1UY-83962-00	.SPRING	1	1	1	
11	2XJ-82913-00	.HOLDER, LEVER LOWER 1	1	1	1	
12	90109-06576	.BOLT	1	1	1	
13	95607-06100	.NUT, U	2	2	2	
14	97027-06025	.BOLT	2	2	2	
15	92907-06600	.WASHER, PLATE	2	2	2	
16	98507-05010	.SCREW, PAN HEAD	1	1	1	
17	92907-05600	.WASHER, PLATE	1	1	1	
18	98507-03008	.SCREW, PAN HEAD	1	1	1	
19	92907-03600	.WASHER	1	1	1	
20	97007-06040	.BOLT	1	1	1	
21	91690-40022	.PIN, SPRING	1	1	1	
22	90201-082A9	.WASHER, PLATE	1	1	1	
23	1UY-82917-00	.SWITCH	1	1	1	
24	92907-06200	.WASHER	1	1	1	
25	1UY-83956-00	.CAP 1	1	1	1	
26	90123-08046	.BOLT	2	2	2	
27	90179-08148	.NUT	2	2	2	

F6



4KB3100-6461

FIG. 46 HANDLE SWITCH. LEVER

REF. NO.	PART NO.	DESCRIPTION	U49	CAN	EUR	REMARKS
28	4KB-82917-00	.SWITCH	1	1	1	
29	4KB-W8393-00	.LOCK, LEVER ASSY	1	1	1	
30	1RX-83922-01	LEVER 2	1	1	1	
31	90109-06577	BOLT	1	1	1	
32	95607-06100	NUT, U	1	1	1	
33	90149-06131	SCREW	1	1	1	
34	90170-06010	NUT	1	1	1	
35	90501-10312	SPRING, COMPRESSION	1	1	1	
36	4GB-83973-00	SWITCH, HANDLE 3	1	1	1	

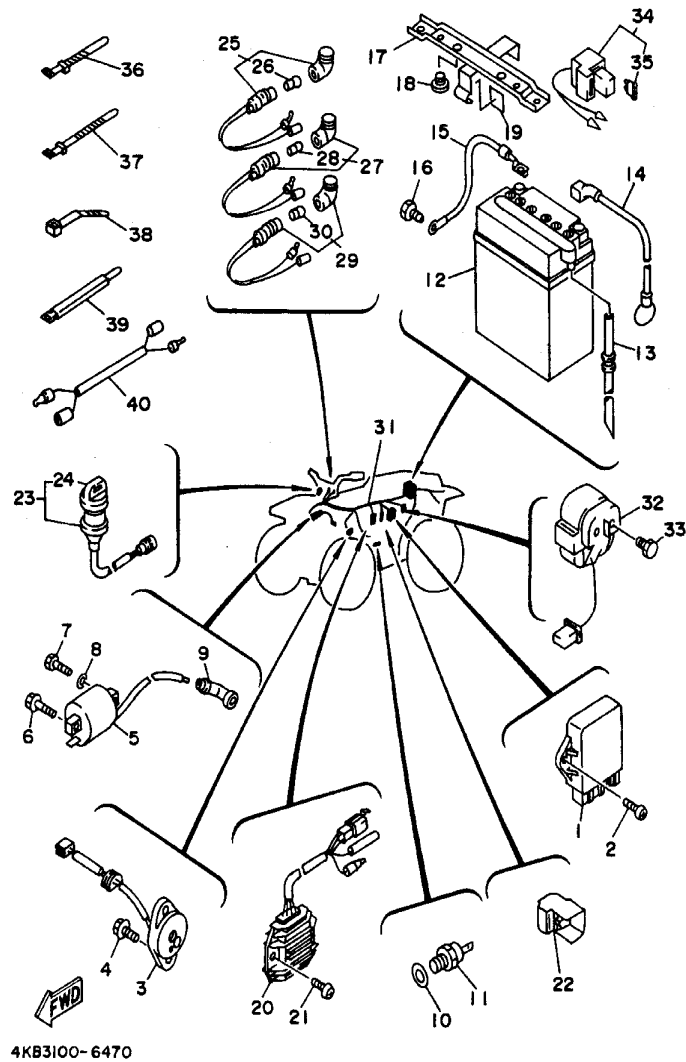


FIG. 47 ELECTRICAL 1

REF. NO.	PART NO.	DESCRIPTION	J49	CAN	EUR	REMARKS
1	4KB-85540-20	C.D.I. UNIT ASSY	1			
	4KB-85540-30	C.D.I. UNIT ASSY		1	1	
2	98907-06020	SCREW, BIND	2	2	2	
3	4KB-82540-01	NEUTRAL SWITCH ASSY	1	1	1	
4	90119-06044	BOLT, WITH WASHER	2	2	2	
5	4KB-82310-00	IGNITION COIL ASSY	1	1	1	
6	90109-06723	BOLT	1	1	1	
7	97007-06020	BOLT	1	1	1	
8	92907-06600	WASHER, PLATE	1	1	1	
9	371-82370-00	PLUG CAP ASSY	1	1	1	
10	90201-12172	WASHER, PLATE	1	1	1	
11	2HT-82560-10	THERMO SWITCH ASSY	1	1	1	
12	1UY-82110-61	BATTERY ASSY	1	1	1	
13	90445-086G1	HOSE	1	1	1	
14	4KB-82115-10	WIRE, PLUS LEAD	1	1	1	
15	4KB-82116-00	WIRE, MINUS LEAD	1	1	1	
16	90153-06044	SCREW, HEXAGON	1	1	1	
17	4KB-82128-01	BRACKET, BATTERY	1	1	1	
18	22W-24181-00	DAMPER, LOCATING 1	2	2	2	
19	34M-2139X-00	DAMPER	2	2	2	
20	4KB-81960-02	RECTIFIER & REGULATOR ASSY	1	1	1	
21	98907-06020	SCREW, BIND	1	1	1	
22	29U-81950-93	RELAY ASSY	1	1	1	
23	4GB-82510-10	MAIN SWITCH ASSY	1	1	1	
24	3HN-82579-00	.CAP, KEY	1	1	1	
25	24W-83530-01	PILOT LIGHT ASSY	1	1	1	
26	123-83516-21	.BULB (12V-3.4W)	1	1	1	

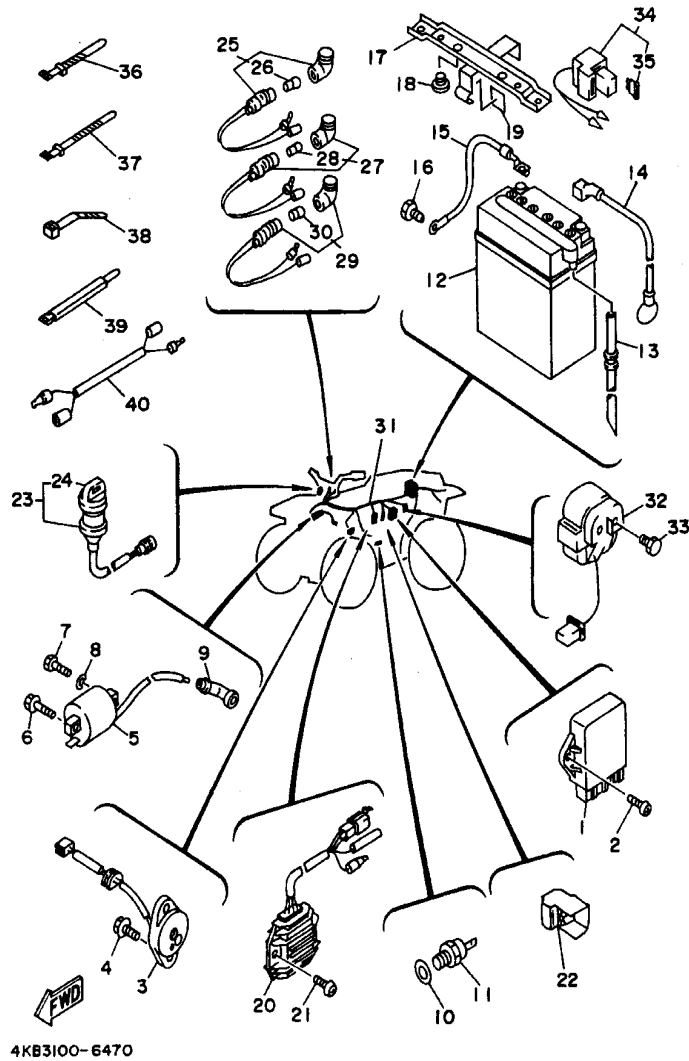
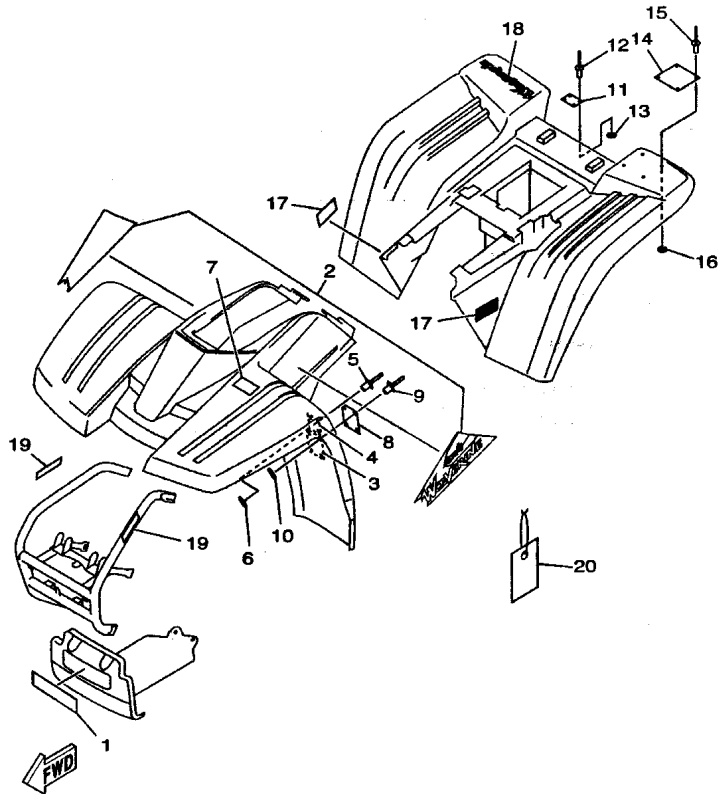


FIG. 47 ELECTRICAL 1

REF. NO.	PART NO.	DESCRIPTION	U49	CAN	EUR	REMARKS
27	52G-83530-01	PILOT LIGHT ASSY	1	1	1	
28	123-83516-21	.BULB (12V-3.4W)	1	1	1	
29	2HR-83530-01	PILOT LIGHT ASSY	1	1	1	
30	123-83516-21	.BULB (12V-3.4W)	1	1	1	
31	4KB-82590-20	WIRE HARNESS ASSY	1			
	4KB-82590-30	WIRE HARNESS ASSY		1	1	
32	4KB-81940-00	STARTER RELAY ASSY	1	1	1	
33	95027-06008	BOLT, FLANGE	2	2	2	
34	4KB-82150-00	FUSE HOLDER ASSY	1	1	1	
35	1AE-82151-00	.FUSE (30A-BL)	2	2	2	
36	437-83936-01	BAND, SWITCH CORD	2	2	2	
37	437-83936-11	BAND, SWITCH CORD	3	3	3	
38	90465-10098	CLAMP	1	1	1	
39	341-26397-01	BAND	1	1	1	



FIG. 49 EMBLEM.LABEL 1



4KBD100-9490

REF. NO.	PART NO.	DESCRIPTION	J49	CAN	EUR	REMARKS
1	4SH-2118F-00	EMBLEM 2	1			
2	4KB-21570-60	GRAPHIC SET, FRONT FENDER	1			UR FOR PDG
	4KB-21570-80	GRAPHIC SET, FRONT FENDER	1			UR FOR DPBSE
3	4EM-21581-10	STAY, PLATE FITTING 1	1			UR FOR PDG
	4EM-21581-20	STAY, PLATE FITTING 1	1			UR FOR DPBSE
4	5FE-21697-00	LABEL, CAUTION 2	1			
5	90267-32109	RIVET, BLIND	4			
6	90201-03313	WASHER, PLATE	4			
7	4KB-21578-A0	EMBLEM	1			
8	4WU-21568-00	LABEL, WARNING	1			ENGLISH *1
9	90267-32198	RIVET, BLIND	6			
10	90201-03313	WASHER, PLATE	6			
11	5FE-2151H-00	LABEL 5	1			
12	90267-32109	RIVET, BLIND	4			
13	90201-03313	WASHER, PLATE	4			
14	4KB-21696-00	LABEL, CAUTION	1			ENGLISH *2
15	90267-32109	RIVET, BLIND	4			
16	90201-03313	WASHER, PLATE	4			
17	4KB-2163G-60	EMBLEM 1	2			UR FOR DPBSE
	4WU-2163G-40	EMBLEM 1	2			UR FOR PDG
18	4KB-2165H-60	GRAPHIC, REAR (R.H)	1			UR FOR PDG
	4KB-2165H-80	GRAPHIC, REAR (R.H)	1			UR FOR DPBSE
19	99234-00100	EMBLEM, YAMAHA	2			
20	3FA-2819R-00	TAG, WARNING	1			

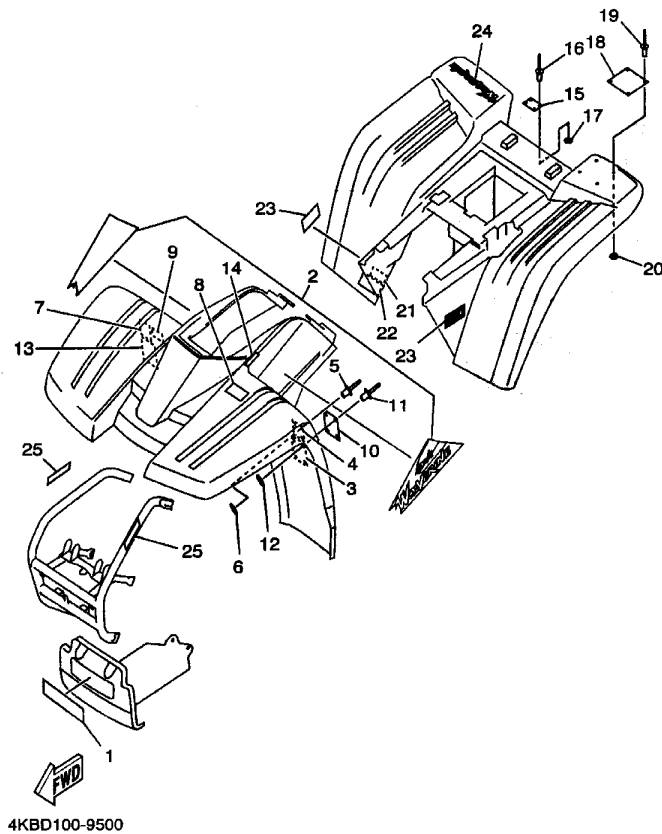
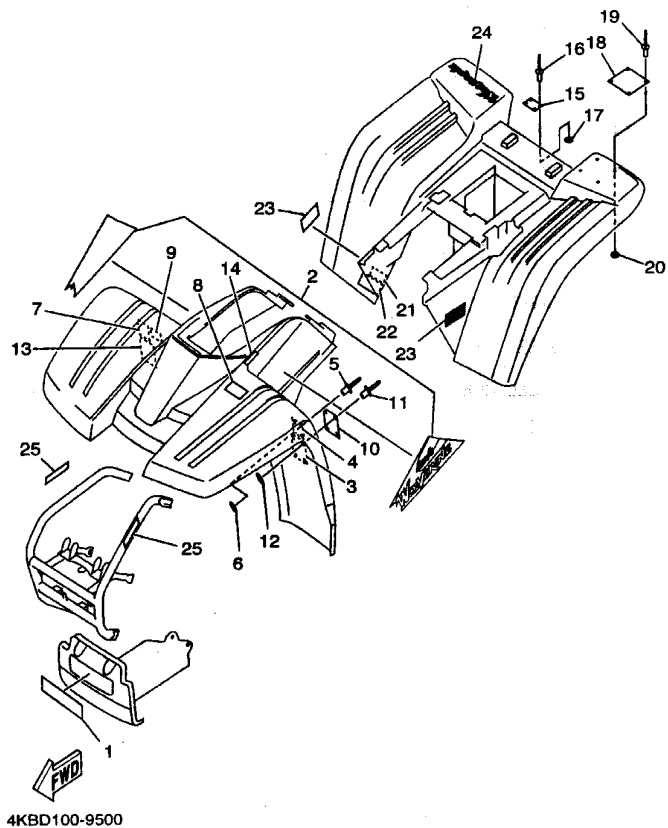


FIG. 50 EMBLEM.LABEL 2

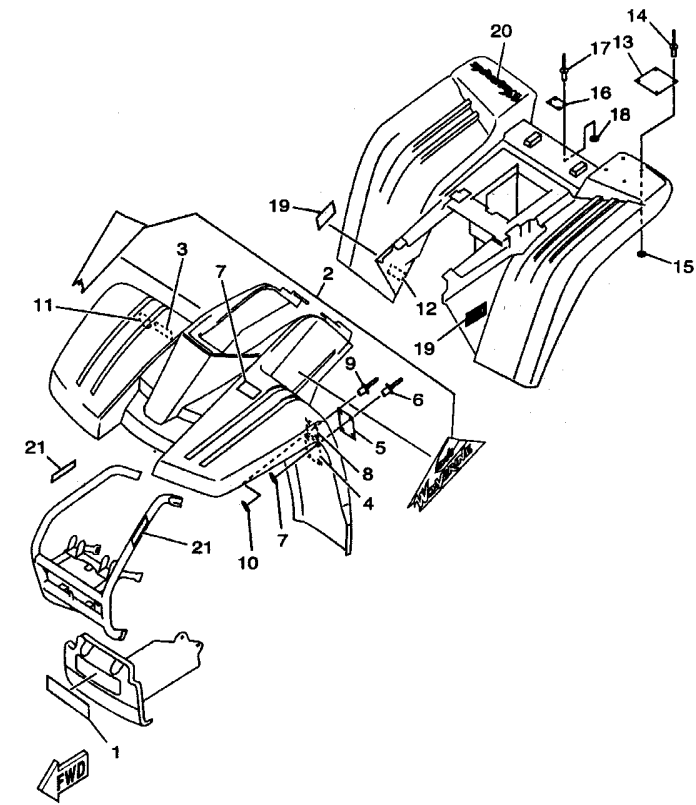
REF. NO.	PART NO.	DESCRIPTION	U49	CAN	EUR	REMARKS
1	4SH-2118F-00	EMBLEM 2		1		
2	4KB-21570-70	GRAPHIC SET, FRONT FENDER		1		UR FOR RTR
	4KB-21570-80	GRAPHIC SET, FRONT FENDER		1		UR FOR DPBSE
3	4EM-21581-20	STAY, PLATE FITTING 1		1		UR FOR DPBSE
	4EM-21581-30	STAY, PLATE FITTING 1		1		UR FOR RTR
4	5FE-21697-00	LABEL, CAUTION 2		1		
5	90267-32109	RIVET, BLIND		4		
6	90201-03313	WASHER, PLATE		4		
7	3JM-21697-10	LABEL, CAUTION 2		1		FRENCH
8	4KB-21578-A0	EMBLEM		1		
9	4KB-21578-B0	EMBLEM		1		
10	5FE-21568-00	LABEL, WARNING		1		
11	90267-32198	RIVET, BLIND		6		
12	90201-03313	WASHER, PLATE		6		
13	4WU-21568-10	LABEL, WARNING		1		FRENCH *1
14	4SH-2416E-00	LABEL, CAUTION CANADA		1		
15	5FE-2151H-00	LABEL 5		1		
16	90267-32109	RIVET, BLIND		4		
17	90201-03313	WASHER, PLATE		4		
18	4KB-21696-20	LABEL, CAUTION		1		
19	90267-32109	RIVET, BLIND		4		
20	90201-03313	WASHER, PLATE		4		
21	4WU-2151H-10	LABEL 5		1		FRENCH *2
22	4KB-21696-B0	LABEL, CAUTION		1		
23	4KB-2163G-60	EMBLEM 1		2		UR FOR DPBSE
	4WU-2163G-60	EMBLEM 1		2		UR FOR RTR
24	4KB-2165H-70	GRAPHIC, REAR (R.H)		1		UR FOR RTR



FIG. 50 EMBLEM.LABEL 2



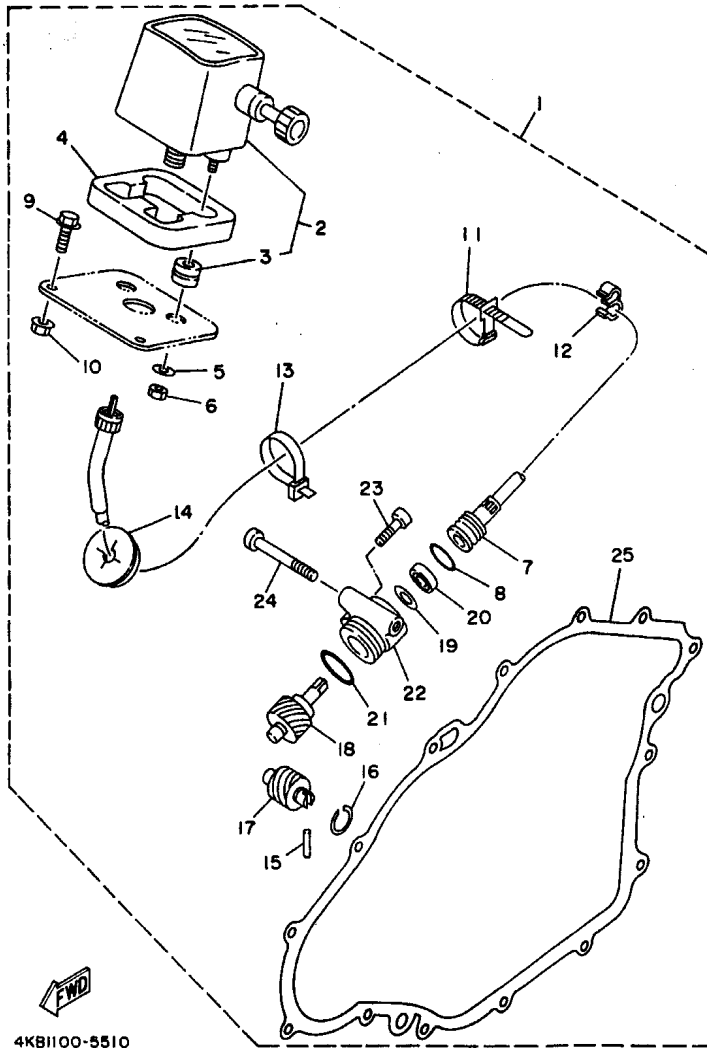
REF. NO.	PART NO.	DESCRIPTION	U49	CAN	EUR	REMARKS
24	4KB-2165H-80	GRAPHIC, REAR (R.H)		1		UR FOR DPBSE
25	99234-00100	EMBLEM, YAMAHA		2		



4KBD100-9510

FIG. 51 EMBLEM.LABEL 3

REF. NO.	PART NO.	DESCRIPTION	U49	CAN	EUR	REMARKS
1	4SH-2118F-00	EMBLEM 2			1	
2	4KB-21570-60	GRAPHIC SET, FRONT FENDER			1	
3	3HP-21568-00	LABEL, WARNING			1	UR ENGLISH
	3HP-21568-10	LABEL, WARNING			1	UR FRENCH
	3HP-21568-20	LABEL, WARNING			1	UR GERMAN
4	4EM-21581-10	STAY, PLATE FITTING 1			1	
5	5FE-21568-10	LABEL, WARNING			1	
6	90267-32198	RIVET, BLIND			6	
7	90201-03313	WASHER, PLATE			6	
8	5FE-21697-00	LABEL, CAUTION 2			1	
9	90267-32109	RIVET, BLIND			6	
10	90201-03313	WASHER, PLATE			4	
11	3ME-2415E-00	LABEL, CAUTION			1	UR GBR ONLY
12	3HP-21668-00	LABEL, TIRE			1	UR ENGLISH
	3HP-21668-10	LABEL, TIRE			1	UR FRENCH
	3HP-21668-20	LABEL, TIRE			1	UR GERMAN
13	4KB-21696-20	LABEL, CAUTION			1	
14	90267-32109	RIVET, BLIND			4	
15	90201-03313	WASHER, PLATE			4	
16	5FE-2151H-00	LABEL 5			1	
17	90267-32109	RIVET, BLIND			4	
18	90201-03313	WASHER, PLATE			4	
19	4WU-2163G-40	EMBLEM 1			2	
20	4KB-2165H-60	GRAPHIC, REAR (R.H)			1	
21	99234-00100	EMBLEM, YAMAHA			2	



4KB1100-5510

FIG. 52 ALTERNATE (METER)

REF. NO.	PART NO.	DESCRIPTION	U49	CAN	EUR	REMARKS
1	4KB-W0081-00	SPEEDOMETER KIT	1	1	1	
2	4KB-83500-00	.SPEEDOMETER ASSY	1	1	1	
3	3GH-83523-00	.DAMPER	2	2	2	
4	3JN-83664-00	.DAMPER	1	1	1	
5	90201-05725	.WASHER, PLATE	2	2	2	
6	95307-05600	.NUT	2	2	2	
7	4KB-83550-00	.SPEEDOMETER CABLE ASSY	1	1	1	
8	93210-14104	.O-RING	1	1	1	
9	95807-06016	.BOLT, FLANGE	2	2	2	
10	95707-06500	.NUT, FLANGE	2	2	2	
11	437-83936-11	.BAND, SWITCH CORD	1	1	1	
12	90468-15020	.CLIP	1	1	1	
13	90464-35132	.CLAMP	1	1	1	
14	90480-25461	.GROMMET	1	1	1	
15	93603-14179	.PIN, DOWEL	1	1	1	
16	93440-14155	.CIRCLIP	1	1	1	
17	4KB-17831-00	.GEAR, DRIVE	1	1	1	
18	4KB-17841-00	.GEAR, DRIVEN	1	1	1	
19	90201-12163	.WASHER, PLATE	1	1	1	
20	93102-08307	.OIL SEAL	1	1	1	
21	93210-24253	.O-RING	1	1	1	
22	4KB-17811-00	.HOUSING, TACHOMETER GEAR	1	1	1	
23	98507-06016	.SCREW, PAN HEAD	1	1	1	
24	98507-06030	.SCREW, PAN HEAD	1	1	1	
25	4KB-15462-00	.GASKET, CRANKCASE COVER 3	1	1	1	

NUMERICAL INDEX

PARTNO.	GRID NO.	PARTNO.	GRID NO.	PARTNO.	GRID NO.	PARTNO.	GRID NO.	PARTNO.	GRID NO.	PARTNO.	GRID NO.
4H7-W0041-50	E - 9	4GB-11610-40	B - 5	2H0-14147-00	B - 12	2A2-14997-00	B - 11	4KB-16150-00	C - 6	4KB-17551-00	C - 9
	E - 10	1UY-11631-01-YO	B - 5	2LN-14147-00	B - 11	4KB-15100-03	B - 14	30X-16154-00	C - 6	2HR-17556-01	C - 9
2NL-W0042-50	E - 12	55V-11633-00	B - 5	4KB-14147-00	B - 11	4KB-15113-00	E - 14	3J2-16324-00	C - 6	4KB-17576-00	C - 10
3GD-W0045-00	E - 4	1UY-11636-01	B - 5	558-14147-00	B - 11	4KB-15113-10	E - 15	168-16325-00	C - 6	4KB-17582-00	C - 7
1UY-W0046-00	E - 6	1UY-11638-01	B - 5	878-14147-00	B - 11	30X-15351-00	B - 8	5Y1-16331-01	C - 6	4KB-17583-00	C - 8
1UY-W0047-50	E - 6	1UY-12111-01	B - 6	137-14153-00	B - 11	4KB-15362-00	B - 15	132-16346-00	C - 11	4KB-1761A-00	C - 10
3GD-W0047-00	E - 4	22U-12113-00	B - 6	1UY-14155-00	B - 12		C - 2	5Y1-16351-00	C - 6	4KB-17811-00	F - 15
1UY-W0048-50	E - 4	1UY-12114-01	B - 6	522-14161-00	B - 12	2N4-15371-00	D - 4	4KB-16356-00	C - 6	4KB-17831-00	F - 15
	E - 6	3Y1-12116-00	B - 6	2A2-14172-16	B - 12	4SH-15381-00	B - 15	4KB-16357-00	C - 6	4KB-17841-00	F - 15
1UY-W0057-50	E - 6	3Y1-12117-01	B - 6	2VA-14185-00	B - 11		C - 2	55V-16371-00	C - 6	4KB-18101-00	C - 11
3GD-W0057-00	E - 4	1J7-12118-00	B - 6	537-14186-00	B - 11	1UY-15383-00	B - 14	4WU-16611-00	C - 6	4KB-18104-00	C - 11
4KB-W0081-00	F - 15	1UY-12121-01	B - 6	12R-14191-00	B - 11	11H-15383-01	C - 9	4SH-16620-01	C - 6	4KB-18106-00	C - 11
4KB-W215C-50	C - 15	M01-12129-00	B - 6	24W-14193-00	B - 12	4KB-15383-00	B - 14	4SH-16626-00	C - 6	4KB-18110-00	C - 12
4KB-W215C-51	C - 15	3GD-12151-00	B - 6	4KB-14193-20	B - 12	4KB-1541A-00	E - 14	4SH-16664-00	C - 6	4KB-18110-11	C - 12
4KB-W2151-45	C - 15	3Y1-12156-00	B - 6	4KB-14197-00	B - 11	4KB-15411-01	B - 15	4KB-17121-00	C - 7	4KB-18112-00	C - 12
4KB-W2151-50	C - 15	31G-12158-00	B - 6	620-14231-28	B - 11	4KB-15411-11	C - 2	4KB-17131-00	C - 7	132-18113-01	C - 12
4KB-W216C-32	D - 2	31G-12159-02	B - 6	4KB-14264-00	B - 11	4KB-15421-00	B - 15	4KB-17141-00	C - 7	36Y-18115-00	C - 12
4KB-W216C-50	D - 2	1UY-12170-00	B - 7	4KB-14275-00	B - 11		C - 2	1YW-17151-00	C - 7	4G0-18127-00	C - 11
4KB-W2161-45	D - 2	3HN-12176-00	B - 7	4KB-14285-00	B - 12	4KB-15431-01	B - 15	4KB-17211-00	C - 7	4KB-18127-00	C - 11
4KB-W2161-50	D - 2	31G-12210-01	B - 7	1UY-14411-01	B - 10		C - 2	1YW-17221-00	C - 7	4KB-18128-00	B - 15
4KB-W4614-11	D - 8	3GD-12213-00	B - 7	1UY-14412-01	B - 10	1UY-15443-00	C - 4	1YW-17231-01	C - 7		C - 3
4KB-W8393-00	F - 7	31G-12214-00	B - 7	31A-14419-00	B - 10	4KB-15451-00	B - 15	4KB-17241-00	C - 7	4KB-18140-00	C - 11
4KB-Y1754-00	C - 9	31G-12222-00	B - 7	3GD-1442F-00	B - 10	4KB-15462-00	C - 2	4KB-17243-00	C - 7	2H9-18154-00	C - 12
4GB-Y4612-00	D - 4	3Y1-12231-01	B - 7	1UY-14437-01	B - 10		B - 15	4KB-17251-00	C - 7	4KB-18181-00	C - 11
3Y1-1111F-00	B - 3	4KB-12241-00	B - 7	1UY-14451-00	B - 10		C - 2	4KB-17253-00	C - 8	4KB-18185-00	C - 11
1UY-11110-02	B - 2	51Y-13132-50	B - 8	4KB-14453-00	B - 10		F - 15	4KB-17285-00	C - 7	4KB-18380-00	C - 12
3Y1-11127-00	B - 2	4KB-13161-01	B - 9	10M-14457-00	B - 10	4KB-15512-00	C - 5	4KB-17411-00	C - 7	4KB-18424-00	C - 11
31G-11127-00	B - 2	4KB-13171-00	B - 8	59V-14457-00	B - 10	4KB-15515-00	C - 5	4KB-17421-00	C - 7	4KB-18431-00	C - 12
3Y1-11133-11	B - 2	4KB-13181-00	B - 9	1UY-14458-01	B - 10	1UY-15517-01	C - 5	4KB-17432-00	C - 8	4KB-18511-00	C - 11
4KB-11145-00	B - 7	1UY-13300-00	B - 8	1UY-14468-00	B - 10	4KB-15517-00	C - 5	4KB-17521-00	C - 9	4KB-18512-00	C - 11
4KB-11160-00	B - 2	4KB-13324-00	B - 8	1UY-14565-00	B - 11	4KB-15521-01	C - 5	4KB-17523-00	C - 8	4KB-18513-00	C - 11
31G-11161-00	B - 2	1UY-13326-00	B - 8	2LN-14565-00	B - 11	4KB-15522-01	C - 5	22U-17527-01	C - 10	4KB-18531-00	C - 11
4KB-11165-00	B - 2	3GD-13329-00	B - 8	4KB-14611-00	B - 13	1UY-15590-00	C - 5	4KB-17531-00	C - 9	4GB-18535-00	C - 11
4KB-11166-00	B - 2	51Y-13411-00	B - 8	3GD-14613-00	B - 13	4KB-15590-00	C - 5	4KB-17531-10	C - 9	4KB-18540-10	C - 11
1UY-11181-00	B - 2	2XK-13416-00	B - 8	4KB-14628-00	B - 13	3GD-15699-00	C - 4	4KB-17531-20	C - 9	4KB-21110-30-33	C - 13
2NL-11186-00	B - 2	1UY-13440-02	B - 8	4KB-14711-01	B - 13	1UY-15710-00	C - 4	4KB-17531-30	C - 10	4KB-2117G-01	C - 14
4KB-11186-00	D - 7	4KB-13447-00	B - 8	1UY-14715-00	B - 13	21V-15713-00	C - 4	4KB-17531-40	C - 10	4SH-2118F-00	F - 11
2NL-11187-00	B - 2	4KB-13463-00	E - 13	21V-14752-00	B - 13	24W-15714-00	C - 4	4KB-17531-50	C - 10		F - 12
214-11198-01	D - 4	4KB-13464-00	B - 9	3YF-14755-00	B - 13	21V-15715-00	C - 4	4KB-17531-60	C - 10		F - 14
1UY-11310-03	B - 4	4KB-13465-00	B - 9	26H-1490H-00	B - 11	1UY-15716-00	C - 4	52G-17531-01	C - 9	4KB-21268-00	C - 14
4KB-11351-00	B - 4	4KB-13470-00	B - 9	4KB-1490J-11	B - 11	1UY-15719-00	C - 2	52G-17531-11	C - 9	2HR-21315-02	C - 13
4KB-11400-00	B - 5	1YW-13497-00	B - 8	4KB-14901-10	B - 11	1UY-15723-00	C - 4	52G-17531-21	C - 9	4KB-21316-00	C - 13
1UY-11454-00	B - 5	4KB-13586-01	B - 10	2LN-14933-00	B - 11	21V-15741-00	C - 4	52G-17531-31	C - 9	34M-2139X-00	F - 8
3Y1-11531-01	B - 5	4KB-14103-00	B - 12	14X-14937-00	B - 12	21V-15751-00	C - 4	52G-17531-41	C - 9	4KB-2147A-00	C - 13
4KB-11536-00	B - 5	12R-14105-00	B - 11	4KB-14940-00	B - 11	3X3-15755-00	C - 4	52G-17531-51	C - 9	4KB-2147J-00	C - 13
4KB-11565-00	B - 5	1UY-14107-20	B - 11	22U-14952-00	B - 12	21V-15767-00	C - 4	1J7-17537-Y0-30	D - 4	4KB-21486-00	C - 13
4GB-11610-00	B - 5	4KB-1414N-40	B - 11	4KB-14993-00	B - 12	4KB-15777-00	B - 15	1J7-17537-Y0-40	D - 4	4WU-2151H-10	F - 12
4GB-11610-20	B - 5	4G0-14142-42	B - 11	1J7-14994-00	B - 11	21V-15779-00	C - 4	1J7-17537-Y0-50	D - 4	5FE-2151H-00	F - 11

NUMERICAL INDEX

PARTNO.	GRID NO.	PARTNO.	GRID NO.	PARTNO.	GRID NO.	PARTNO.	GRID NO.	PARTNO.	GRID NO.	PARTNO.	GRID NO.
5FE-2151H-00	F-12	4KB-21696-20	F-12	3AJ-24523-00	D-13	2GU-25831-51	E-8	4KB-26351-00	E-7	4KB-46117-40	D-6
	F-14		F-14	3AJ-24534-00	D-13	2NL-25850-50	E-12	1UY-2637A-01	E-7	4KB-46117-50	D-6
4KB-21511-41	C-15	3JM-21697-10	F-12	1UY-24610-00	D-13	2GU-25852-50	E-12	4KB-2637E-00	E-7	4KB-46117-60	D-6
4KB-21513-00	C-15	5FE-21697-00	F-11	4KB-24710-10	D-14	4H7-25852-00	E-9	341-26397-01	F-9	4KB-46117-70	D-6
4KB-21541-00	C-15		F-12	4KB-24731-10	D-14		E-10	1NV-26398-00	E-7	4KB-46117-80	D-6
3HP-21568-00	F-14		F-14	59V-24775-00	D-14	360-25854-01	E-12	1A0-27114-00	D-3	4KB-46117-90	D-6
3HP-21568-10	F-14	4KB-2171L-00	C-15	4KB-24776-00	D-14	4L0-25854-00	E-9	109-27114-00	D-3	24W-46118-00-12	D-4
3HP-21568-20	F-14	41R-21717-00	C-13	4KB-2510F-00	D-15		E-10	371-27114-00	D-14	24W-46118-00-14	D-4
4WU-21568-00	F-11	4KB-22110-01-33	D-3		E-2	2GU-25855-00	E-12	4N0-27114-00	E-13	24W-46118-00-16	D-4
4WU-21568-10	F-12	1W1-22128-00	D-10	4KB-2510G-00	D-15	2GU-25866-00	E-9	4KB-27211-00	E-11	24W-46118-00-18	D-4
5FE-21568-00	F-12	29U-22141-00	D-3		E-2		E-10	31A-27222-00	E-12	24W-46118-00-20	D-4
5FE-21568-10	F-14	4KM-22141-00	D-3	4KB-2510H-00	D-15	56A-25867-00	E-9	4KB-27411-00	E-11	4KB-46119-A0	D-8
4KB-21570-60	F-11	4WV-22143-00	D-3		E-2		E-10	4KB-27421-00	E-11	4KB-46119-B0	D-8
	F-14	4KB-22189-00	D-3	4KB-2510J-00	D-15	2GU-25870-00	E-9	4KB-27445-00	E-11	4KB-46119-C0	D-8
4KB-21570-70	F-12	4BD-2219X-02	D-3		E-2	4KB-25871-00	E-9	4KB-27446-00	E-11	4KB-46119-D0	D-8
4KB-21570-80	F-11	4KB-22210-00-35	D-10	3HN-2511G-01	D-15		E-10	4WV-28100-00	C-14	4KB-46119-E0	D-8
	F-12	4KB-22591-00	D-3		E-2	4KB-25872-00	E-9	1NV-2811A-00	C-14	4KB-46119-F0	D-8
4KB-21578-A0	F-11	4KB-2331M-00	E-3	4KB-2511H-00	D-15		E-10	3FA-2819R-00	F-11	4KB-46119-G0	D-8
	F-12	4KB-2331N-00	E-3		E-2	4KB-25873-00	E-9	4KB-2845N-B0	E-13	4KB-46119-H0	D-8
4KB-21578-B0	F-12	4KB-23350-10-35	D-11	4KB-2511I-02	D-15		E-10	4KB-2845N-D1	E-13	4KB-46119-J0	D-8
4EM-21581-10	F-11	2HR-23442-00	D-12		E-2	4KB-25874-00	E-12	4KB-2845N-10	E-13	4KB-46119-K0	D-8
	F-14	4KB-23501-00	D-15	52H-2512A-00	D-15	4GB-25875-00	E-9	4KB-2845N-31	E-13	4KB-46119-L0	D-8
4EM-21581-20	F-11	4KB-23502-00	E-2		E-2		E-10	4KB-2845R-20	E-13	4KB-46119-M0	D-8
	F-12	2HR-23526-00	D-11	3HN-2512G-01	D-15	4GB-25876-00	E-9	4KB-2845R-30	E-13	4KB-46119-N0	D-8
4EM-21581-30	F-12	4WU-23540-00	D-11		E-2		E-10	4GB-46101-03	D-4	4KB-46119-00	D-7
4KB-2160A-00	D-2	4WU-23550-00	D-11	4KB-2512H-00	D-15	4KB-25882-00	E-9	2H7-46102-00	D-4	4KB-46119-10	D-7
4KB-2160A-10	D-2	4KB-23570-10	D-11		E-2		E-10	3HN-46108-00	D-8	4KB-46119-20	D-7
4KB-21611-41	D-2	1UY-23812-00	D-12		E-2	47X-25894-00	E-12	24W-46117-00-25	D-5	4KB-46119-30	D-7
4KB-21621-00	D-2	3HN-23813-01	D-12	2HR-2512J-00	D-15	4KB-25895-00	E-12	24W-46117-00-30	D-5	4KB-46119-40	D-7
4KB-2163G-60	F-11	8K1-23814-00	D-12		E-2	1UY-25917-51	E-6	24W-46117-00-40	D-5	4KB-46119-50	D-7
	F-12	2GU-23831-01	D-12	4KB-2514A-00	E-4	1UY-25924-51	E-6	24W-46117-00-50	D-5	4KB-46119-60	D-8
4WU-2163G-40	F-11	1UY-23841-01	D-12	4KB-25180-02-MA	D-15	3GD-25933-00	E-4	4KB-46117-A0	D-6	4KB-46119-70	D-8
	F-14	1UY-23845-01	D-12		E-2	1UY-25972-51	E-6	4KB-46117-B0	D-6	4KB-46119-80	D-8
4WU-2163G-60	F-12	4KB-23868-01	D-12	4KB-25180-02-35	D-15	2HR-26111-00	E-7	4KB-46117-C0	D-6	4KB-46119-90	D-8
1UJ-21638-00	D-3	2GU-23872-00	C-13		E-2	4KB-2612E-00	E-8	4KB-46117-D0	D-6	2HR-46123-00	D-5
4BD-21639-00	D-2	1UY-23894-01	D-12	4KB-25381-11	E-5	5FE-26124-10	E-7	4KB-46117-E0	D-6	4KB-46123-00	C-10
59V-21646-00	D-2	4KB-24110-00	D-13	2HR-25383-01	E-5	1NV-26129-00	E-7	4KB-46117-F0	D-6	29U-46125-00	D-4
4KB-2165H-60	F-11	4KB-2414H-00	D-13	4KB-25390-01-MA	E-5	4KB-26150-01	E-7	4KB-46117-G0	D-6	4KB-46127-00	D-6
	F-14	4KB-2414J-00	D-13	4KB-25390-01-35	E-5	3GB-26241-00	E-7	4KB-46117-H0	D-7	4KB-46127-10	D-6
4KB-2165H-70	F-12	3ME-2415E-00	F-14	4KB-25712-00	E-6	1NV-2625G-01	E-7	4KB-46117-J0	D-7	4KB-46127-20	D-6
4KB-2165H-80	F-11	4SH-2416E-00	F-12	3GD-2580T-00	E-4	4KB-26250-00	E-7	4KB-46117-K0	D-7	4KB-46127-30	D-6
	F-13	22W-24181-00	F-8	3GD-2580U-00	E-4	1UY-26259-00	E-9	4KB-46117-L0	D-7	4KB-46127-40	D-6
3HP-21668-00	F-14	3GD-24181-00	D-13	1UY-2580W-00	E-6		E-10	4KB-46117-M0	D-7	4KB-46127-50	D-6
3HP-21668-10	F-14	4KB-24181-00	D-13	4KB-25819-00	E-6	4KB-2628F-00	E-7	4KB-46117-N0	D-7	4KB-46127-60	D-6
3HP-21668-20	F-14	4KB-24182-00	D-13	4KB-2582T-00	E-4	4KB-2628G-00	E-7	4KB-46117-00	D-6	4KB-46146-11	D-7
4KB-21691-00	D-2	4KB-24183-00	D-13	3GD-25827-00	E-4	1NV-26304-00	E-7	4KB-46117-10	D-6	3HN-46151-00	D-4
4KB-21696-B0	F-12	21V-24500-10	D-13	3GD-25828-00	E-4	4KB-26311-10	E-7	4KB-46117-20	D-6	3HN-46152-01	D-4
4KB-21696-00	F-11	4X8-24512-00	D-13	3HN-2583T-00	E-10	4KB-26341-00	E-7	4KB-46117-30	D-6	1FK-46156-00	D-5

NUMERICAL INDEX

PARTNO.	GRID NO.	PARTNO.	GRID NO.	PARTNO.	GRID NO.	PARTNO.	GRID NO.	PARTNO.	GRID NO.	PARTNO.	GRID NO.
1FK-46157-00-15	D-5	24W-83530-01	F-8	4KB-85550-11	E-15	90149-08152	C-9	90201-06380	C-14	90215-16289	C-6
1FK-46157-00-20	D-5	52G-83530-01	F-9	90101-10303	B-7	90149-08268	E-4	90201-08083	E-12	90240-06076	E-7
4KB-46161-00	D-6	4KB-83550-00	F-15	90101-10568	B-5	90151-05023	C-2	90201-08085	B-10	90240-08013	E-12
4KB-46162-00	D-6	3JN-83664-00	F-15	90105-06738	C-14	90151-06010	B-8	90201-08093	C-11	90240-12092	D-10
4KB-46172-00	D-5	1UY-83909-00	F-6	90105-082A7	D-7	90151-06025	B-15	90201-082A9	F-6	90267-32109	F-11
4KB-46173-00	D-8	1UY-83912-01	F-6	90105-08440	E-6		C-2	90201-08326	B-13		F-12
1YW-46180-00	D-5	1UY-83913-00	F-6	90105-08538	E-4	90151-06058	B-8	90201-086J0	B-13		F-14
1YW-46187-00	D-5	1RX-83922-01	F-7	90105-08748	E-6	90151-06062	C-11	90201-086R7	D-7	90267-32198	F-11
2HR-46187-00	D-8	1UY-83922-01	F-6	90105-08756	D-7	90153-06044	F-8	90201-101J1	C-13		F-12
4KB-46470-11	D-7	1UY-83935-00	F-6	90105-08759	D-7	90159-06010	C-6		E-5		F-14
4KB-81800-00	F-2	437-83936-01	F-9	90105-10051	C-13	90159-06059	C-15	90201-10118	E-9	90280-05048	B-5
4KB-81815-00	F-2	437-83936-11	F-9	90105-102A8	D-7	90170-06010	F-7		E-10	90282-05034	B-5
4KB-81818-00	F-2		F-15	90105-10253	D-11	90170-06228	C-12		E-12	90336-22056	C-14
4KB-81820-00	F-2	1UY-83956-00	F-6	90105-10388	D-11	90170-10186	D-12	90201-10128	B-2	90336-28053	D-12
3GD-81826-00	F-2	1UY-83962-00	F-6	90105-10421	B-2	90170-16326	B-5	90201-10144	B-5	90338-12192	E-10
4H7-81840-00	F-2	1UY-83966-00	F-6	90105-10422	B-2		C-6	90201-10430	D-11	90338-34264	D-3
4H7-81843-50	F-2	1UY-83967-00	F-6	90105-10454	C-13	90171-10046	D-11	90201-10591	B-7	90340-14029	D-5
4H7-81844-50	F-2	4GB-83973-00	F-7	90105-10549	D-11		D-12	90201-107F8	B-5	90340-14046	D-4
1UY-81847-50	F-2	2GU-84159-00	F-3	90105-10747	C-13	90171-16048	D-15	90201-10774	D-5	90340-14117	B-15
8L6-81847-50	F-2	4KB-84314-00	F-3	90105-10751	E-5		E-2		D-12		C-2
4KB-81940-00	F-9	2GU-84315-00	F-3	90105-12425	D-10		E-5	90201-12163	F-15	90340-36098	B-15
29U-81950-93	F-8	2GU-84320-00	F-3	90109-063F7	C-11	90179-06668	B-13	90201-12166	C-12	90387-060A7	B-9
4KB-81960-02	F-8	2GU-84330-70	F-3	90109-06576	F-6	90179-08148	F-6	90201-12172	F-8	90387-06024	C-14
1UY-82110-61	F-8	2GU-84331-00	F-3	90109-06577	F-7	90179-10394	D-5	90201-123K4	C-5	90387-062L2	B-13
4KB-82115-10	F-8	2GU-84332-00	F-3	90109-06723	F-8	90179-10540	D-15	90201-127J6	D-10	90387-06595	F-5
4KB-82116-00	F-8	2GU-84334-00	F-3	90109-081F0	E-6		E-2	90201-14633	C-9	90387-066J1	D-13
4KB-82128-01	F-8	2GU-84338-00	F-3	90109-082A1	C-9		E-5		C-10	90387-07598	D-13
4KB-82150-00	F-9	4KB-84340-00	F-3	90110-06224	B-8	90179-16671	D-7	90201-14691	C-11	90387-090R0	D-12
1AE-82151-00	F-9	3GD-84345-00	F-3	90110-08234	B-14	90179-22526	C-9	90201-150U6	C-8	90387-1504G	C-8
4KB-82310-00	F-8	3L6-84521-00	F-4	90114-10010	D-15	90179-22640	C-6	90201-15797	C-12	90387-16547	B-4
371-82370-00	F-8		F-5		E-2	90179-55660	C-10		E-11	90387-1707V	D-3
4GB-82510-10	F-8	1K8-84523-00	F-4		E-5	90179-60664	D-7	90201-162L6	D-15	90387-176R6	D-12
4KB-82540-01	F-8		F-5	90116-06503	B-2	90179-65305	C-9		E-2	90387-1904J	C-7
2HT-82560-10	F-8	2E9-84524-00	F-4	90116-10593	D-4	90183-06011	E-13		E-5	90387-2104H	C-7
3HN-82579-00	F-8		F-5	90119-06044	F-8	90185-10060	D-11	90201-20276	C-7	90387-255H9	D-4
4KB-82590-20	F-9	3GH-84702-00	F-5	90119-06056	C-15	90185-10115	D-12	90201-225M9	D-9	90387-281V8	D-15
4KB-82590-30	F-9	4XE-84710-00	F-4		D-2	90185-12072	D-10	90201-25291	C-5		E-2
4KB-82910-10	F-6		F-5	90119-06060	D-2	90185-14070	C-9	90201-266F6	C-7	90387-284T0	E-5
4KB-82911-00	F-6	3GD-84714-00	F-4		E-12		C-10	90201-301P3	C-6	90401-06001	B-2
2XJ-82913-00	F-6		F-5	90119-06063	B-10	90201-03313	F-11	90202-05193	D-13	90401-08038	B-8
4V4-82913-00	E-7	2EK-85111-00	F-10		C-14		F-12	90202-14077	F-4	90401-08117	B-9
1UY-82917-00	F-6	3Y6-85130-02	F-10	90119-08073	D-13		F-14		F-5	90401-10159	E-9
4KB-82917-00	F-7	449-85131-02	F-10	90123-08046	F-6	90201-05725	F-15	90209-06174	B-9		E-10
4KB-83500-00	F-15	4KB-85510-00	E-14	90149-04278	E-7	90201-060L5	D-13	90209-21338	C-7		E-12
123-83516-21	F-8	4KB-85510-12	E-15	90149-06011	D-13	90201-06042	E-7	90209-22191	C-7	90430-06192	B-2
	F-9	4KB-85540-20	F-8	90149-06131	F-7	90201-06059	B-13	90215-06162	B-3	90430-08119	B-8
3GH-83523-00	F-15	4KB-85540-30	F-8	90149-06306	C-15	90201-06074	F-4	90215-08260	C-11		B-9
2HR-83530-01	F-9	4KB-85550-00	E-14		D-2		F-5	90215-16270	B-5	90430-14043	B-8

PARTNO.	GRID NO.	PARTNO.	GRID NO.	PARTNO.	GRID NO.	PARTNO.	GRID NO.	PARTNO.	GRID NO.	PARTNO.	GRID NO.
90430-14131	B- 2	91317-05012	E- 15	92907-08600	D- 5	93210-26606	D- 15	93399-99926	D- 8	95027-06050	C- 2
90445-072J3	D- 5	91317-05030	E- 14		E- 9		E- 2	93399-99938	D- 5	95027-06060	B- 14
90445-072J4	D- 8	91317-06020	B- 3		E- 10		E- 5	93410-20038	C- 7	95302-06600	F- 2
90445-084J1	D- 13	91317-08025	B- 2	92907-10100	B- 5	93210-313A0	D- 7	93410-22039	D- 5	95304-06700	C- 12
90445-086G1	F- 8		B- 15	93101-17113	B- 15	93210-35520	B- 8		D- 8	95307-05600	F- 10
90445-11863	D- 13		C- 2		C- 2	93210-357A3	B- 15	93410-25017	C- 7		F- 15
90450-49020	B- 10	91317-08030	B- 4	93101-35097	C- 9	93210-41041	C- 14	93410-26067	C- 8	95307-05700	E- 7
90460-56105	B- 10	91317-08016	C- 5	93101-38098	D- 4	93210-44545	B- 10	93420-13073	B- 8	95307-06600	F- 5
90460-75020	B- 10	91317-08018	C- 5	93101-52116	D- 4	93210-54452	B- 8	93430-12008	C- 12	95307-06800	F- 4
90460-99289	D- 3	91317-08025	B- 10	93102-08307	F- 15	93210-57634	B- 2		E- 11	95307-08700	C- 11
90464-06214	D- 13	91317-08050	B- 2	93102-12106	B- 15	93210-59531	D- 4	93430-23046	D- 5		E- 12
90464-35132	F- 15	91401-16012	E- 12		C- 2	93210-78544	C- 9	93440-12052	B- 2	95307-10700	D- 12
90465-08377	B- 15	91401-20012	E- 7	93102-14209	B- 15	93210-85706	D- 5	93440-14155	F- 15	95337-10600	D- 11
	C- 2	91401-20020	D- 11		C- 2	93210-86509	B- 4	93440-15012	C- 8	95607-05100	E- 7
90465-10098	F- 9		D- 12	93102-25017	D- 3	93210-92448	B- 2	93440-20088	D- 8	95607-06100	D- 2
90467-06016	D- 8	91401-30025	D- 10	93102-25081	C- 13	93211-06635	B- 2	93440-23165	D- 5		F- 6
90467-07029	D- 5	91401-30030	D- 15	93102-25099	C- 13	93211-51749	D- 4	93440-24173	C- 7		F- 7
90467-10008	D- 13		E- 2	93102-28476	C- 2	93306-00308	C- 11	93440-25020	C- 7	95607-06200	C- 15
90467-14015	B- 2		E- 5	93102-38383	D- 15	93306-00426	C- 8	93450-19095	B- 5		D- 2
90467-14057	E- 12	91690-40022	F- 6		E- 2	93306-00515	B- 7	93511-32017	C- 6	95607-08200	C- 13
90467-22080	B- 10	92017-06012	B- 2		E- 5	93306-00612	C- 10	93603-07073	B- 8	95607-10200	C- 13
90468-15020	F- 15	92017-06014	B- 13	93102-38417	D- 15		D- 15	93603-12030	B- 8	95702-06100	C- 4
90480-01400	D- 13	92017-08016	E- 11		E- 2		E- 2	93603-14179	F- 15	95707-06500	D- 14
90480-01590	B- 13	92017-08025	E- 12	93102-44454	C- 10	93306-00805	E- 5	93604-10011	B- 7		F- 15
90480-14088	F- 4	92901-04100	E- 12	93102-65386	D- 4	93306-07801	C- 2	93605-10090	B- 5	95707-08500	E- 11
	F- 5	92901-04600	E- 12	93103-38178	D- 7	93306-07804	D- 7	93608-50149	C- 11	95807-06012	E- 8
90480-15058	C- 13	92906-04100	B- 12	93104-09025	E- 7	93306-20301	C- 7	93612-16254	B- 9	95807-06016	F- 15
90480-15235	B- 9	92907-03600	F- 6	93104-17094	C- 7	93306-20313	B- 15	93900-00022	D- 15	95807-06020	B- 9
90480-18290	D- 13	92907-05100	E- 7	93104-20068	C- 8		C- 2		E- 2	95807-06025	F- 5
90480-25461	F- 15		F- 3	93105-22029	D- 7	93306-20331	C- 13		E- 5	95807-08055	F- 3
90501-082E3	B- 8		F- 10	93106-42037	E- 5	93306-20401	C- 8	94108-1205R	D- 15	95817-06012	C- 12
90501-102E8	E- 12	92907-05200	F- 10	93112-31011	D- 12	93306-20517	C- 10		E- 2	95817-08012	C- 13
90501-10312	F- 7	92907-05600	B- 10	93210-06422	C- 6	93306-20531	E- 5	94110-1205P	E- 5	95817-08016	B- 13
90501-18576	B- 8		E- 8	93210-06632	B- 9	93306-20532	B- 5	94500-02090	B- 7		C- 13
90501-22721	B- 5		F- 6	93210-07590	C- 11	93306-20636	C- 9	94701-00157	B- 3		E- 13
90501-234F8	D- 9	92907-06100	E- 15	93210-09165	B- 6	93306-20715	C- 9	94701-00181	B- 3	95817-08045	B- 13
90501-23598	C- 6		F- 4	93210-12152	B- 9	93306-27202	C- 7	94701-00333	B- 3	95817-08055	C- 13
90501-605E1	C- 10		F- 5	93210-14104	F- 15	93306-30424	C- 8	95027-06008	F- 9	95817-08085	C- 13
90506-12489	C- 11	92907-06200	D- 2	93210-14369	B- 15	93306-30538	C- 9	95027-06012	B- 9	95817-10020	E- 11
90506-20492	E- 11		F- 6		C- 2	93306-30568	D- 4		C- 4	95817-10045	D- 5
90508-186A5	C- 12	92907-06600	B- 7	93210-15414	C- 12	93306-37210	D- 7	95027-06025	B- 7	95827-06012	C- 15
90508-23567	D- 14		B- 8	93210-15620	E- 12	93310-212R6	C- 5	95027-06030	B- 14		E- 4
90508-32711	C- 11		E- 9	93210-16290	C- 4	93310-225N0	C- 5		B- 15		E- 9
90560-07007	F- 4		E- 10	93210-17718	D- 3	93315-32516	B- 7		C- 2		E- 10
90560-30325	D- 15		E- 15	93210-18322	B- 4	93316-01301	D- 4		F- 2	95827-08012	D- 3
	E- 2		F- 6	93210-19522	B- 15	93317-85569	D- 4	95027-06040	B- 15		E- 11
91A20-07010	B- 12		F- 8		C- 2	93332-00080	D- 3		C- 2	95827-08050	D- 12
91317-05012	E- 14	92907-08600	C- 9	93210-24253	F- 15	93399-99923	D- 5	95027-06050	B- 14	95827-10016	D- 3

NUMERICAL INDEX

PARTNO.	GRID NO.	PARTNO.	GRID NO.	PARTNO.	GRID NO.	PARTNO.	GRID NO.	PARTNO.	GRID NO.
97007-06008	B-13								
97007-06012	B-3								
97007-06020	F-8								
97007-06040	F-8								
97017-06020	C-12								
97017-06025	E-9								
	E-10								
97027-06016	B-7								
97027-06025	F-6								
97027-08025	D-5								
97027-08030	C-9								
	E-9								
	E-10								
97027-08060	D-12								
97801-03008	D-13								
98501-04012	E-12								
98506-04016	B-11								
98507-03008	F-8								
98507-04012	B-11								
98507-05008	F-3								
98507-05010	F-8								
98507-05016	B-10								
	F-3								
98507-05018	E-8								
98507-05020	E-7								
98507-06016	F-15								
98507-06030	E-15								
	F-15								
98706-04012	E-9								
	E-10								
98707-06016	B-14								
98707-06030	B-8								
98907-06020	F-8								
99009-12400	C-5								
	C-12								
99234-00100	F-11								
	F-13								
	F-14								
99530-10014	B-14								
	B-15								
	C-2								
99530-14016	B-2								
	B-4								