

PARTS CATALOGUE

YZ125M (5HD1) CANADA, U.S.A., SOUTH AFRICA

YZ125 (5HD2) EUROPE

YZ125 (5HD3) JAPAN

YZ125M (5HD4) OCEANIA

MODELO 2000

YAMAHA
GENUINE
Parts & Accessories

105HD-100E1



A3

FOREWORD

This Parts Catalogue is related to the parts for the model(s) in the below frame. When you are ordering replacement parts, please refer to this Parts Catalogue and quote both part numbers and part names correctly.

YZ125M(5HD1/5HD4), YZ125(5HD2/5HD3)

1. Modifications or additions which have been made after issue of the Parts Catalogue will be announced in the Yamaha Parts News. It is advisable that you make necessary corrections to the Parts Catalogue according to the Yamaha Parts News.

2. Abbreviations

The Following abbreviations are used in this Parts Catalogue.

"UR" Use specified parts number.

"UN" Use as many as needed.

"AP" Alternate Parts

"LM" Local Made (Parts need to be ordered locally)

"F#" Frame No. (Applicable machine No.)

3. Parts, which are to be supplied in an assembly, are listed with a dot(.) in front of the part name as shown below.

EXAMPLE

CARBURETOR ASSY

.JET, PILOT

.NOZZLE, MAIN

4. Number of component for assembly

The numeral appearing to the right of each component part indicates the quantity of parts for each assembly unit.

EXAMPLE

PART NO.	DESCRIPTION	Q'TY	REMARKS
2F5-83310-60	FRONT FLASHER LIGHT ASSY	2	
115-83311-60	.BULB (6V-18W)	1	
1M1-83309-60	.REFLECTOR	1	

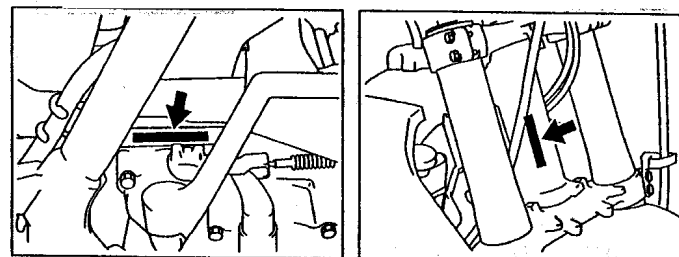
5. Applicable colors of graphics are represented in the "REMARKS" as shown below.

PART NO.	DESCRIPTION	Q'TY	REMARKS
2N4-24110-00-X5	.FUEL TANK COMP.	2	MXR
3J1-24240-10	.GRAPHIC, FUEL TANK	1	for MXR

6. Applicable Serial No.

Engine Serial No.

Frame Serial No.



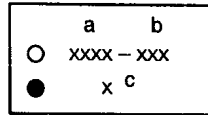
7. Note that the illustrations for reference in funding parts numbers, not to be used for assembling. When assembling, please use the applicable service manual.

8. The asterisk (*) before a reference number indicates modification items after the first edition.

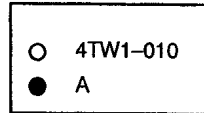
MODEL LABEL

(1) A label called "Model Label" is affixed in the location as indicated in (3) below. When using this parts catalogue, please be sure to cross-refer the "model code - production code No." in the catalogue to the "model code - production code No." indicated on the Model Label affixed onto the product concerned.

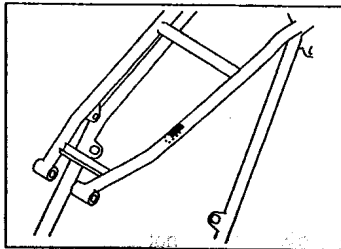
(2) "Model Label" Indication



a: Model Type Code
b: Production Code No.
c: Colouring Type



(3) Model Label Affixing Location



(4) Model Code - Production Code Number of Model Listed in This Parts Catalog

Model Code	Production Code No.	Country (destination)	Model Code	Production Code No.	Country (destination)
5HD1	010	U.S.A.			
	020	CANADA			
	030	SOUTH AFRICA			
5HD2	010	FRANCE			
	020	GERMANY			
	030	ESPAÑA			
	040	ENGLAND			
	050	ITALY			
5HD3	010	JAPAN			
5HD4	010	AUSTRALIA			
	020	NEW ZEALAND			

(5) Colouring Information

Model Code	Colouring type code	Colour code	Colour Name	Abbreviation
5HD1	A	0583	DEEP PURPLISH BLUE SOLID E	DPBSE
5HD2				
5HD3				
5HD4				

CONTENTS

ENGINE

CYLINDER HEAD	B2
GOVERNOR	B4
CRANKSHAFT. PISTON	B5
WATER PUMP	B6
RADIATOR. HOSE	B7
INTAKE	B8
CARBURETOR	B9
EXHAUST	B12
CRANKCASE	B13
CRANKCASE COVER 1	B14
STARTER	B15
CLUTCH	C2
TRANSMISSION	C4
SHIFT CAM. FORK	C6
SHIFT SHAFT	C7

CHASSIS

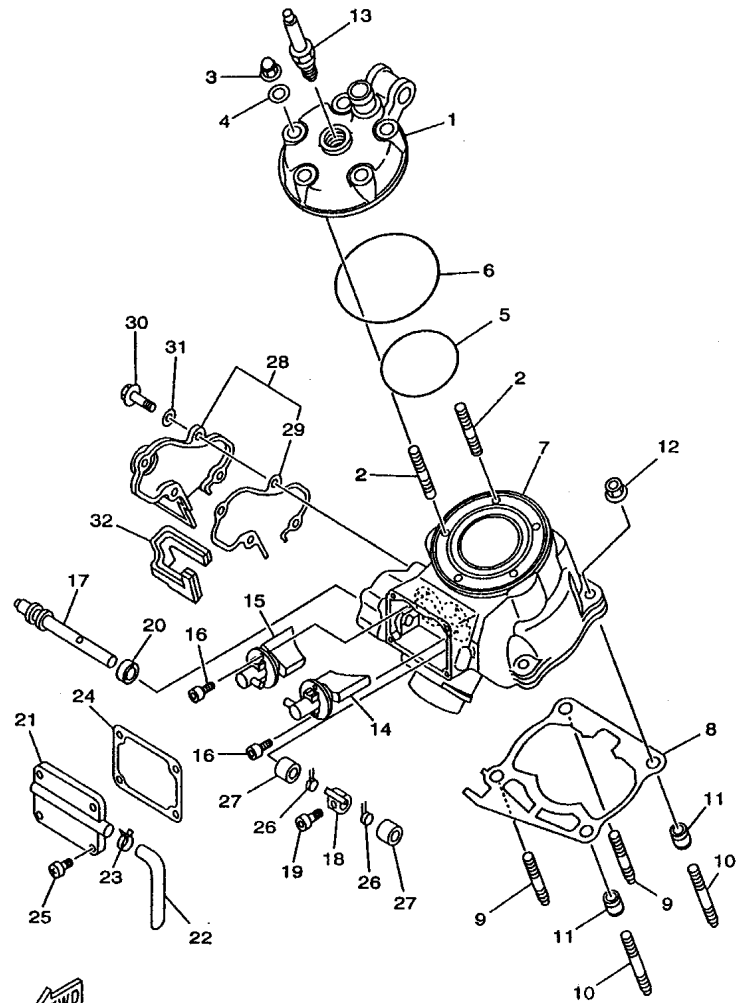
FRAME	C8
FENDER	C9
SIDE COVER	C10
REAR ARM	C11
REAR SUSPENSION	C13
STEERING	C15
FRONT FORK	D2
FUEL TANK	D5
SEAT	D6
FRONT WHEEL	D7
FRONT BRAKE CALIPER	D8
REAR WHEEL	D9
REAR BRAKE CALIPER	D11
STEERING HANDLE. CABLE	D12
FRONT MASTER CYLINDER	D13

STAND. FOOTREST	D14
REAR MASTER CYLINDER	D15
GENERATOR	E2
HANDLE SWITCH. LEVER	E3
ELECTRICAL 1	E4
ALTERNATE (CHASSIS)	E5
OPTIONAL PARTS 1	E6

INDEX

NUMERICAL INDEX	M1
-----------------------	----

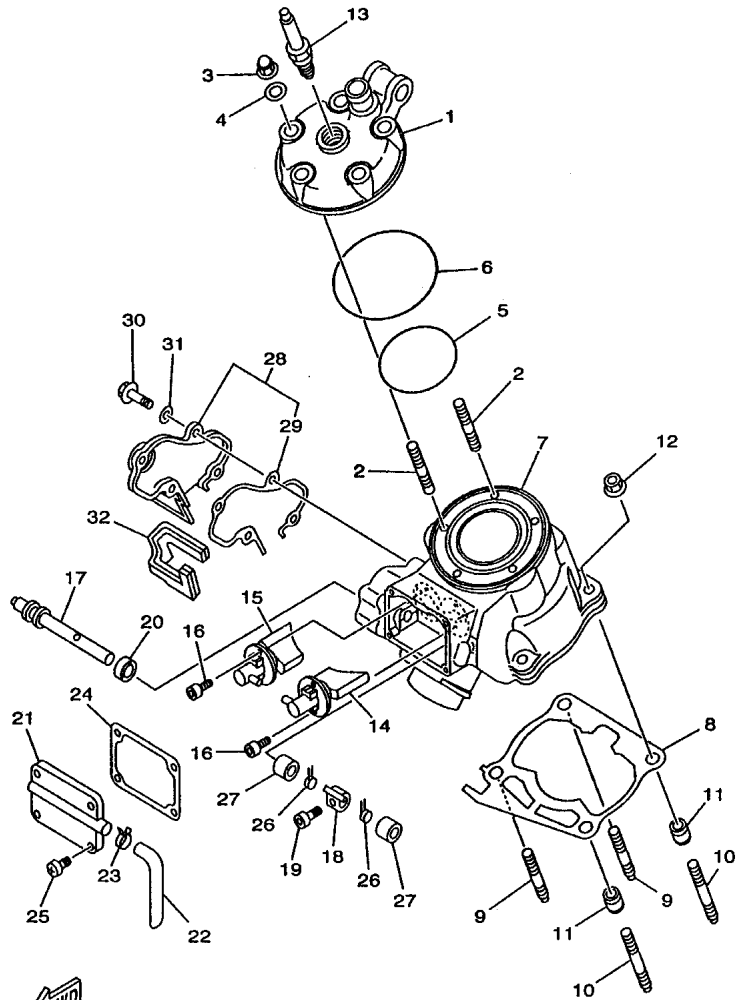
FIG. 1 CYLINDER HEAD




5HD1100-0010

REF. NO.	PART NO.	DESCRIPTION	5HD1	5HD2	5HD3	5HD4	REMARKS
1	4JY-11111-01	HEAD, CYLINDER 1	1	1	1	1	
2	90116-08394	BOLT, STUD	5	5	5	5	
3	90176-08026	NUT, CROWN	5	5	5	5	
4	90201-08087	WASHER, PLATE	5	5	5	5	
5	93210-63442	O-RING	1	1	1	1	
6	93210-90785	O-RING	1	1	1	1	
7	5HD-11311-00	CYLINDER 1	1	1	1	1	
8	5DH-11351-00	GASKET, CYLINDER	1	1	1	1	
9	90116-08318	BOLT, STUD	2	2	2	2	
10	90116-08388	BOLT, STUD	2	2	2	2	
11	99530-10114	PIN, DOWEL	2	2	2	2	
12	90179-08299	NUT	4	4	4	4	
13	94702-00324	PLUG, SPARK (NGK BR9EG)	1	1	1	1	
14	5HD-1131D-00	VALVE ASSY	1	1	1	1	
15	5HD-1132D-00	VALVE ASSY 2	1	1	1	1	
16	91317-05012	BOLT	4	4	4	4	
17	5HD-1131V-00	SHAFT 1	1	1	1	1	
18	4SS-11832-00	LEVER, LINK	1	1	1	1	
19	91317-04008	BOLT	1	1	1	1	
20	93104-08040	OIL SEAL	1	1	1	1	
21	4SS-1131M-00	COVER	1	1	1	1	
22	4JY-11166-00	PIPE, BREATHER 1	1	1	1	1	
23	90467-13062	CLIP	1	1	1	1	
24	4JY-11354-02	GASKET	1	1	1	1	
25	98907-05016	SCREW, BIND	4	4	4	4	
26	90508-16134	SPRING, TORSION	2	2	2	2	
27	90387-08785	COLLAR	2	2	2	2	

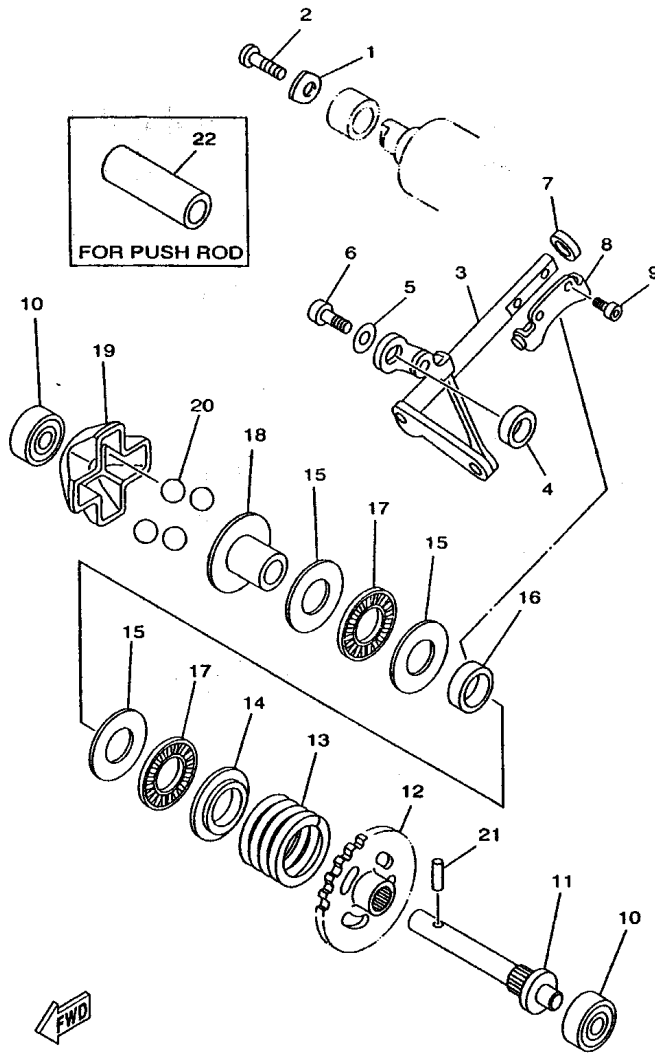
FIG. 1 CYLINDER HEAD




 5HD1100-0010

REF. NO.	PART NO.	DESCRIPTION	5HD1	5HD2	5HD3	5HD4	REMARKS
28	4JY-11991-01	HOUSING 1	1	1	1	1	
29	4JY-11993-01	.GASKET	1	1	1	1	
30	97007-05016	BOLT	4	4	4	4	
31	92907-05600	WASHER, PLATE	4	4	4	4	
32	4JY-11995-00	SEAL, HOUSING	1	1	1	1	

FIG. 2 GOVERNOR

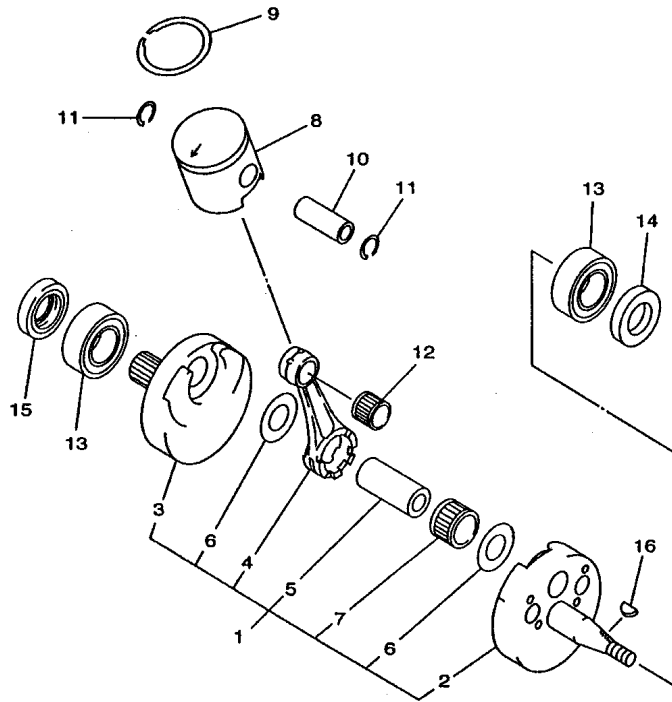


5ET1100-9020

REF. NO.	PART NO.	DESCRIPTION					REMARKS
			SHD1	SHD2	SHD3	SHD4	
1	4JY-11915-01	PLATE, THRUST 1	1	1	1	1	
2	98507-05012	SCREW, PAN HEAD	1	1	1	1	
3	4SS-11990-00	PUSH ROD ASSY	1	1	1	1	
4	90387-085E1	COLLAR	1	1	1	1	
5	90201-057H5	WASHER, PLATE	1	1	1	1	
6	97007-05012	BOLT	1	1	1	1	
7	93104-08040	OIL SEAL	1	1	1	1	
8	3JE-11922-01	FORK, GOVERNOR	1	1	1	1	
9	91317-04006	BOLT	2	2	2	2	
10	93300-60801	BEARING (B0060)	2	2	2	2	KOYO
11	5X4-11921-02	SHAFT, GOVERNOR	1	1	1	1	
12	24X-11953-01	GEAR, GOVERNOR	1	1	1	1	
13	90501-30001	SPRING, COMPRESSION	1	1	1	1	
14	5CU-11952-00	PLATE	1	1	1	1	
15:	90201-150U6	WASHER, PLATE	3	3	3	3	
16	90387-152F2	COLLAR	1	1	1	1	
17	93340-21505	BEARING	2	2	2	2	
18	5CU-11912-00	RETAINER, WEIGHT	1	1	1	1	
19	5CU-11911-00	RETAINER	1	1	1	1	
20	93507-16020	BALL	4	4	4	4	
21	93603-14240	PIN, DOWEL	1	1	1	1	
22	90387-107T9	COLLAR	1	1	1	1	AP

B4

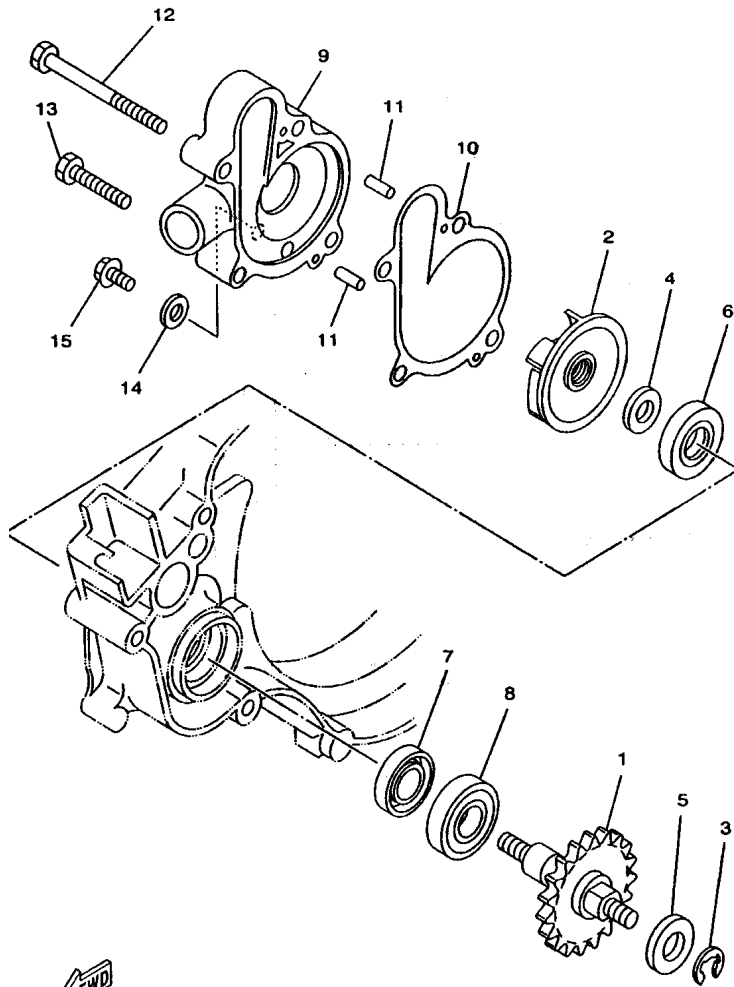
FIG. 3 CRANKSHAFT. PISTON



REF. NO.	PART NO.	DESCRIPTION					REMARKS
			SHD1	SHD2	SHD3	SHD4	
1	5DH-11400-00	CRANKSHAFT ASSY	1	1	1	1	
2	4SS-11410-10	.CRANKSHAFT	1	1	1	1	
3	4SS-11420-00	.CRANKSHAFT	1	1	1	1	
4	4PE-11651-02	.ROD, CONNECTING	1	1	1	1	
5	3JD-11681-02	.PIN, CRANK 1	1	1	1	1	
6	90209-22071	.WASHER	2	2	2	2	
7	93310-522P7	.BEARING	1	1	1	1	
8	4XM-11631-20-A0	PISTON (STD)	1	1	1	1	UR
	4XM-11631-20-B0	PISTON (STD)	1	1	1	1	UR
	4XM-11631-20-C0	PISTON (STD)	1	1	1	1	UR
	4XM-11631-20-D0	PISTON (STD)	1	1	1	1	UR
9	4JY-11611-00	RING, PISTON	1	1	1	1	
10	4XM-11633-10	PIN, PISTON	1	1	1	1	
11	93450-16068	CIRCLIP	2	2	2	2	
12	93310-315S4	BEARING	1	1	1	1	
13	93306-37204	BEARING (63/22SH2-9TC4)	2	2	2	2	KOYO
14	93102-22363	OIL SEAL	1	1	1	1	
15	93103-32183	OIL SEAL	1	1	1	1	
16	90280-03045	KEY, WOODRUFF	1	1	1	1	


4SS1100-6030

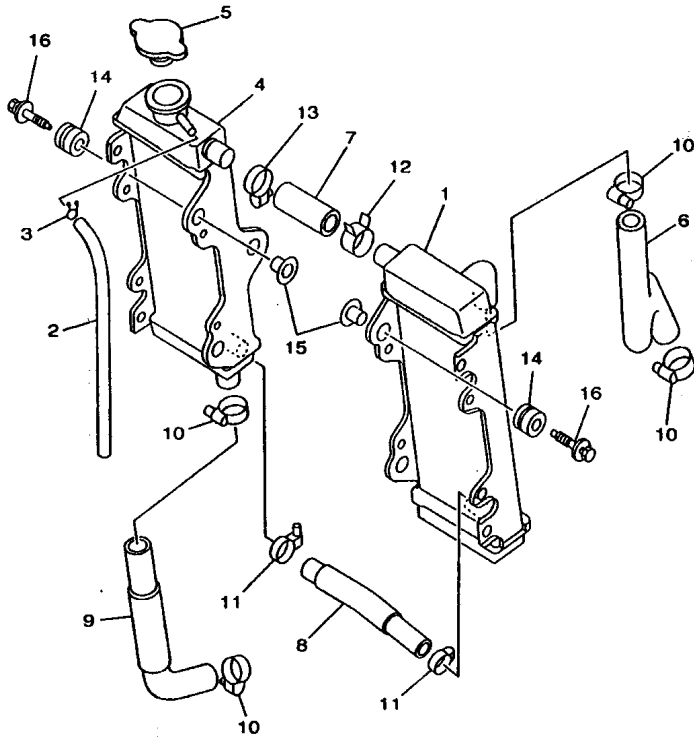
FIG. 4 WATER PUMP



REF. NO.	PART NO.	DESCRIPTION	SHD1	SHD2	SHD3	SHD4	REMARKS
1	5DH-12459-01	GEAR, IMPELLER SHAFT	1	1	1	1	
2	5DH-12451-00	IMPELLER, WATER PUMP	1	1	1	1	
3	99001-06600	CIRCLIP	1	1	1	1	
4	90201-083P5	WASHER, PLATE	1	1	1	1	
5	90201-08784	WASHER, PLATE	1	1	1	1	
6	93109-11073	OIL SEAL	1	1	1	1	
7	93102-12106	OIL SEAL (SD 12-22-5 HS)	1	1	1	1	
8	93306-00105	BEARING (B6001)	1	1	1	1	
9	4JY-12422-00	COVER, HOUSING	1	1	1	1	
10	4JY-12428-00	GASKET, HOUSING COVER 2	1	1	1	1	
11	93604-10011	PIN, DOWEL	2	2	2	2	
12	95027-06065	BOLT, FLANGE	2	2	2	2	
13	95027-06030	BOLT, FLANGE	2	2	2	2	
14	90430-06014	GASKET	1	1	1	1	
15	95027-06010	BOLT, FLANGE	1	1	1	1	


5DH1100-8040

FIG. 5 RADIATOR, HOSE

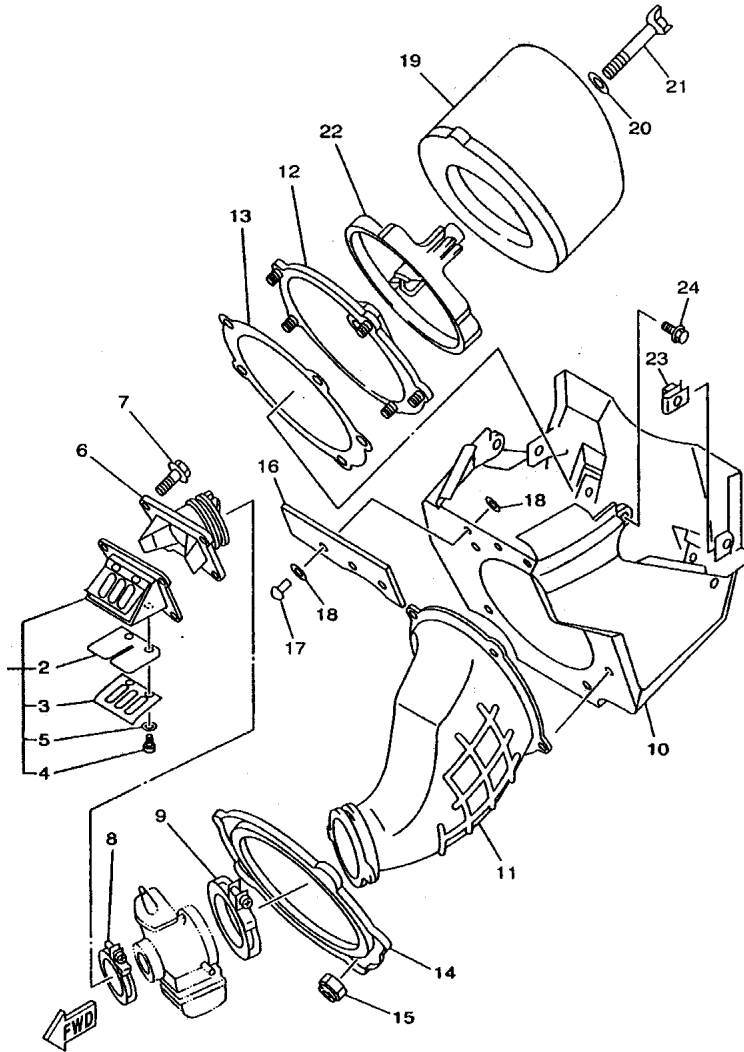


REF. NO.	PART NO.	DESCRIPTION	5HD1	5HD2	5HD3	5HD4	REMARKS
1	4SS-1240A-10	RADIATOR ASSY	1	1	1	1	
2	91A20-05065	TUBE, FLEXIBLE VINYL	1	1	1	1	
3	90467-09006	CLIP	1	1	1	1	
4	4SS-12461-10	RADIATOR ASSY	1	1	1	1	
5	5HD-12462-00	CAP, RADIATOR	1	1	1	1	
6	4SS-12481-00	PIPE 1	1	1	1	1	
7	4SS-12482-00	PIPE 2	1	1	1	1	
8	4SS-12483-00	PIPE 3	1	1	1	1	
9	4SS-12484-00	PIPE 4	1	1	1	1	
10	90450-28014	HOSE CLAMP ASSY	4	4	4	4	
11	90450-22017	HOSE CLAMP ASSY	2	2	2	2	
12	90467-21068	CLIP	1	1	1	1	
13	90450-25037	HOSE CLAMP ASSY	1	1	1	1	
14	90480-15528	GROMMET	6	6	6	6	
15	90387-0614M	COLLAR	6	6	6	6	
16	90119-06214	BOLT, WITH WASHER	6	6	6	6	


 SET1100-9050

B7

FIG. 6 INTAKE



5ET1100-9060

REF. NO.	PART NO.	DESCRIPTION	SHD1	SHD2	SHD3	SHD4	REMARKS
1	4JY-13610-10	REED VALVE ASSY	1	1	1	1	
2	4JY-13613-10	.REED, VALVE	2	2	2	2	
3	4JY-13616-00	.STOPPER, REED VALVE	2	2	2	2	
4	98507-03006	.SCREW, PAN HEAD	4	4	4	4	
5	92907-03100	.WASHER	4	4	4	4	
6	5ET-13565-00	JOINT, CARBURETOR	1	1	1	1	
7	95027-06020	BOLT, FLANGE	4	4	4	4	
8	90450-51070	HOSE CLAMP ASSY	1	1	1	1	
9	90450-70072	HOSE CLAMP ASSY	1	1	1	1	
10	4SS-14401-10	AIR CLEANER CASE ASSY	1	1	1	1	
11	5HD-14453-00	JOINT, AIR CLEANER 1	1	1	1	1	
12	3JD-14459-01	HOLDER, GUIDE	1	1	1	1	
13	3JD-14462-00	SEAL	1	1	1	1	
14	3JD-14477-00	PLATE	1	1	1	1	
15	95607-05100	NUT, U	5	5	5	5	
16	4SS-14417-00	COVER 1	1	1	1	1	
17	90267-32070	RIVET, BLIND	3	3	3	3	
18	90201-03313	WASHER, PLATE	6	6	6	6	
19	4XM-14451-00	ELEMENT, AIR CLEANER	1	1	1	1	
20	90209-06096	WASHER	1	1	1	1	
21	90122-06035	BOLT, WING	1	1	1	1	
22	3JD-14458-01	GUIDE	1	1	1	1	
23	90183-06023	NUT, SPRING	4	4	4	4	
24	90119-06203	BOLT, WITH WASHER	2	2	2	2	

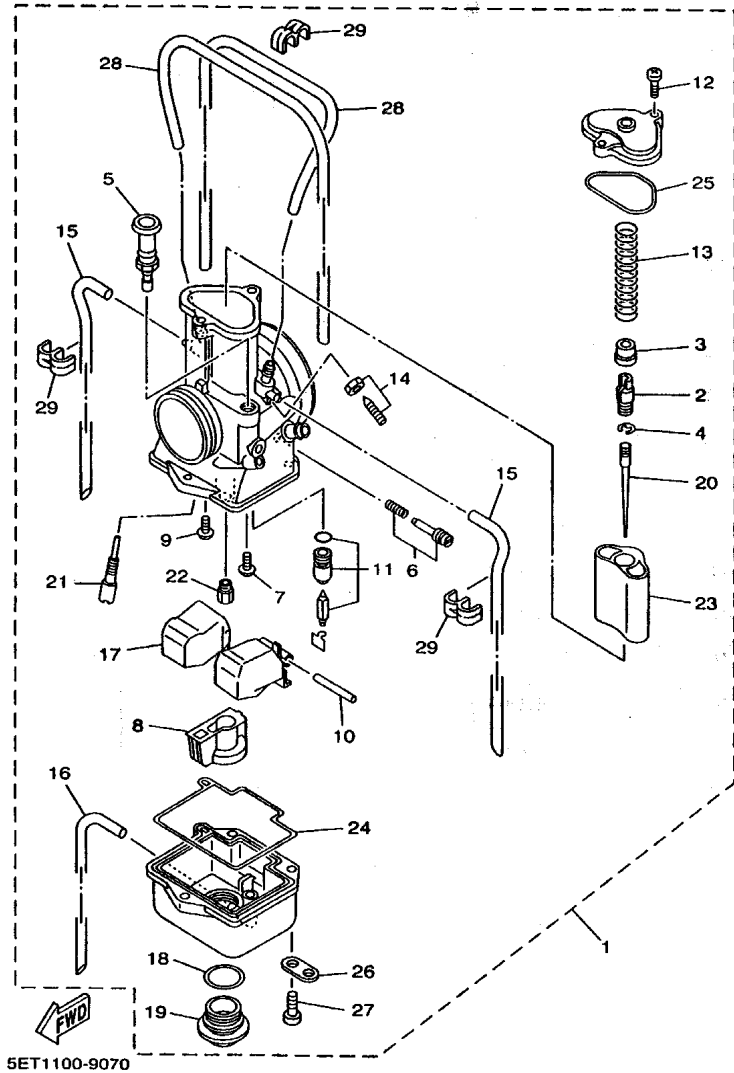
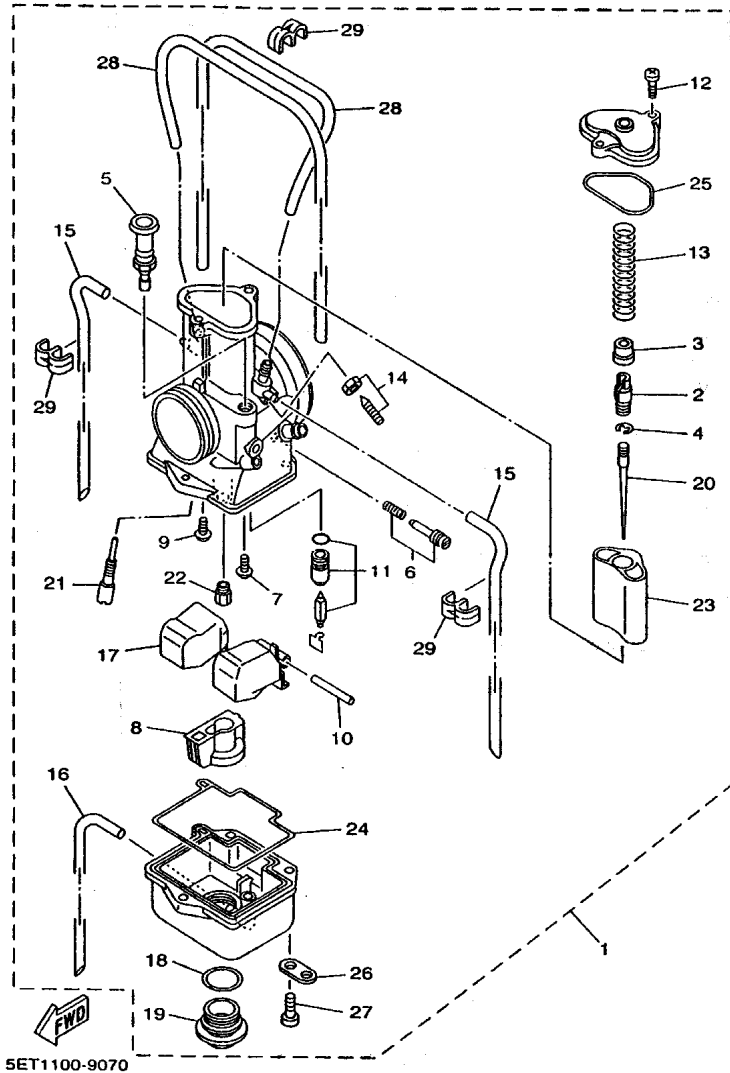


FIG. 7 CARBURETOR

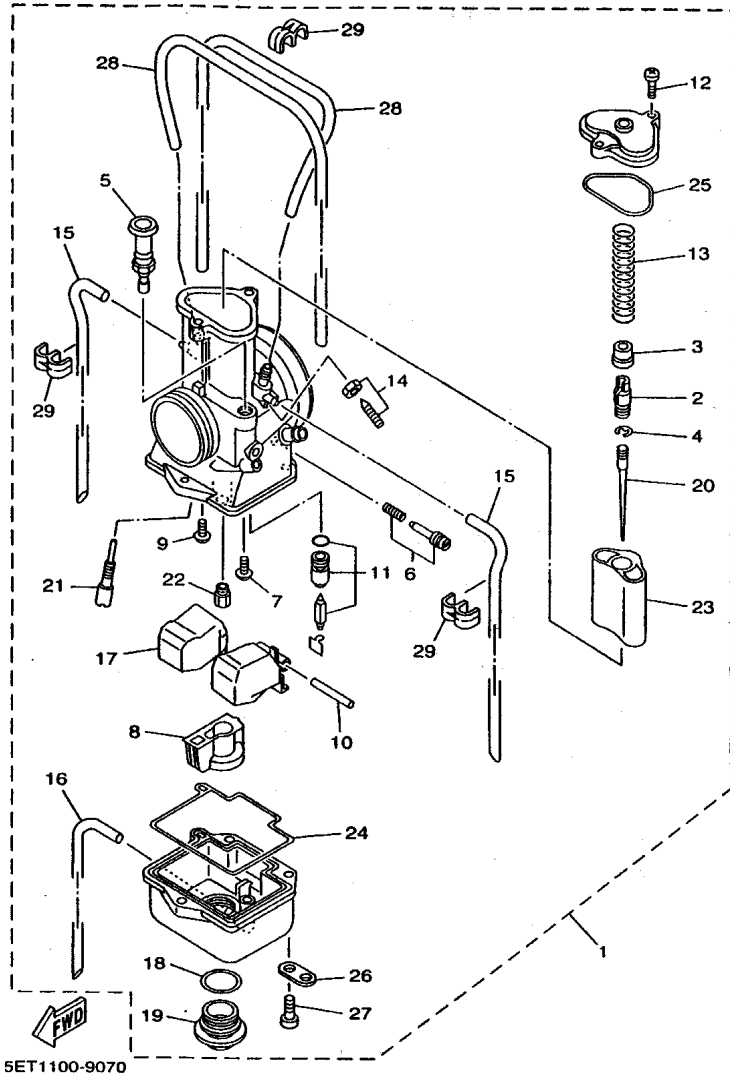
REF. NO.	PART NO.	DESCRIPTION	5HD1	5HD2	5HD3	5HD4	REMARKS
1	5HD-14101-00	CARBURETOR ASSY 1	1			1	
	5HD-14101-10	CARBURETOR ASSY 1		1			
	5HD-14101-20	CARBURETOR ASSY 1			1		
2	5HD-14261-00	.HOLDER	1	1	1	1	
3	4PE-14194-00	.RING	1	1	1	1	
4	3MA-14159-00	.CLIP	1	1	1	1	
5	3JE-14171-00	.PLUNGER, STARTER	1	1	1	1	
6	3JD-14104-00	.AIR SCREW SET	1	1	1	1	
7	1FN-14565-00	.SCREW	1	1	1	1	
8	5ET-14261-00	.HOLDER	1	1	1	1	
9	98507-04008	.SCREW, PAN HEAD	1	1	1	1	
10	353-14186-00	.PIN, FLOAT	1	1	1	1	
11	4PE-14107-38	.NEEDLE VALVE SET	1	1	1	1	
12	98507-04014	.SCREW, PAN HEAD	2	2	2	2	
13	4PE-14131-00	.SPRING, THROTTLE VALVE	1	1	1	1	
14	4PE-14103-00	.THROTTLE SCREW SET	1	1	1	1	
15	2HH-14197-00	.PIPE	2	2	2	2	
16	2AL-14196-00	.PIPE	1	1	1	1	
17	5ET-14185-00	.FLOAT	1	1	1	1	
18	2K6-14147-00	.O-RING	1	1	1	1	
19	5ET-14115-00	.PLUG, SCREW	1	1	1	1	
20	275-14116-J1	.NEEDLE(6DHY53-75)	1			1	STD
	275-14116-M1	.NEEDLE(6DHY57-75)	1	1		1	AP
	275-14116-M2	.NEEDLE(6DHY57-76)	1	1	1	1	AP
	275-14116-L1	.NEEDLE(6DHY56-75)			1		STD
	275-14116-M3	.NEEDLE(6DHY57-77)	1	1	1	1	AP
	275-14116-L9	.NEEDLE(6DHY56-73)	1	1	1	1	AP

FIG. 7 CARBURETOR



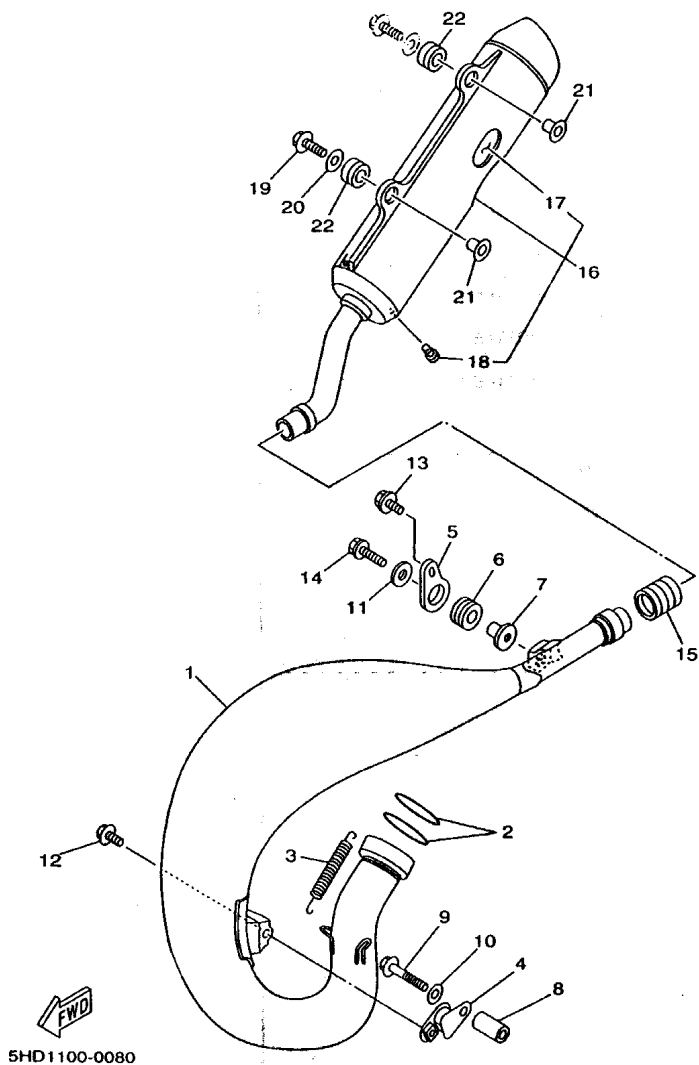
REF. NO.	PART NO.	DESCRIPTION	SHD1	SHD2	SHD3	SHD4	REMARKS
20	275-14116-M1	.NEEDLE(6DHY57-75)			1		STD
	275-14116-J9	.NEEDLE(6DHY53-73)	1	1	1	1	AP
	275-14116-L0	.NEEDLE(6DHY56-74)	1	1	1	1	AP
	275-14116-J0	.NEEDLE(6DHY53-74)	1	1	1	1	AP
	275-14116-L1	.NEEDLE(6DHY56-75)	1	1	1	1	AP
	275-14116-J1	.NEEDLE(6DHY53-75)			1	1	AP
	275-14116-L2	.NEEDLE(6DHY56-76)	1	1	1	1	AP
	275-14116-J2	.NEEDLE(6DHY53-76)	1	1	1	1	AP
	275-14116-L3	.NEEDLE(6DHY56-77)	1	1	1	1	AP
	275-14116-J3	.NEEDLE(6DHY53-77)	1	1	1	1	AP
	275-14116-N9	.NEEDLE(6DHY58-73)	1	1	1	1	AP
	275-14116-M9	.NEEDLE(6DHY57-73)	1	1	1	1	AP
	275-14116-N0	.NEEDLE(6DHY58-74)	1	1	1	1	AP
	275-14116-M0	.NEEDLE(6DHY57-74)	1	1	1	1	AP
	275-14116-N1	.NEEDLE(6DHY58-75)	1	1	1	1	AP
	275-14116-N2	.NEEDLE(6DHY58-76)	1	1	1	1	AP
	275-14116-N3	.NEEDLE(6DHY58-77)	1	1	1	1	AP
21	4KM-14142-35	.JET, PILOT (# 35)	1	1	1	1	STD
	4KM-14142-30	.JET, PILOT (# 30)	1	1	1	1	AP
	4KM-14142-40	.JET, PILOT (# 40)	1	1	1	1	AP
	4KM-14142-45	.JET, PILOT (# 45)	1	1	1	1	AP
	4KM-14142-50	.JET, PILOT (# 50)	1	1	1	1	AP
	4KM-14142-55	.JET, PILOT (# 55)	1	1	1	1	AP
	4KM-14142-60	.JET, PILOT (# 60)	1	1	1	1	AP
22	137-14143-70	.JET, MAIN (#350)	1			1	STD
	137-14143-72	.JET, MAIN (#360)				1	STD
	137-14143-76	.JET, MAIN (#380)		1			STD

FIG. 7 CARBURETOR



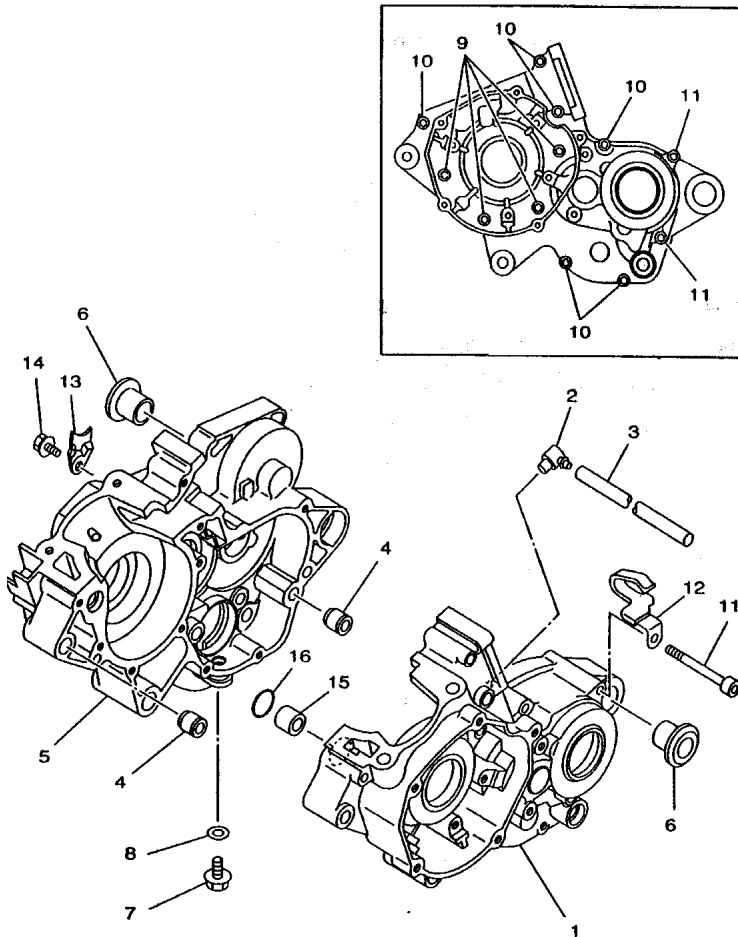
REF. NO.	PART NO.	DESCRIPTION	SHD1	SHD2	SHD3	SHD4	REMARKS
22	137-14143-68	.JET, MAIN (#340)	1	1	1	1	AP
	137-14143-70	.JET, MAIN (#350)		1	1		AP
	137-14143-72	.JET, MAIN (#360)	1	1		1	AP
	137-14143-74	.JET, MAIN (#370)	1	1	1	1	AP
	137-14143-76	.JET, MAIN (#380)	1		1	1	AP
	137-14143-78	.JET, MAIN (#390)	1	1	1	1	AP
23	5ET-14112-65	.VALVE, THROTTLE 1	1	1	1	1	STD
	5ET-14112-60	.VALVE, THROTTLE 1	1	1	1	1	AP
	5ET-14112-70	.VALVE, THROTTLE 1	1	1	1	1	AP
24	5ET-1416A-00	.O-RING	1	1	1	1	
25	5ET-14147-00	.O-RING	1	1	1	1	
26	51R-14146-00	.PLATE	1	1	1	1	
27	98502-05014	.SCREW, PAN HEAD	3	3	3	3	
28	5ET-14197-00	.PIPE	2	2	2	2	
29	87M-14137-00	.CLIP	3	3	3	3	

FIG. 8 EXHAUST



REF. NO.	PART NO.	DESCRIPTION					REMARKS
			5HD1	5HD2	5HD3	5HD4	
1	5HD-14610-00	EXHAUST PIPE ASSY 1	1	1	1	1	
2	93210-45742	O-RING	2	2	2	2	
3	90507-20052	SPRING, TENSION	2	2	2	2	
4	565-14771-00	STAY, MUFFLER 1	1	1	1	1	
5	5CU-14771-00	STAY, MUFFLER 1	1	1	1	1	
6	90480-16561	GROMMET	1	1	1	1	
7	90387-063G3	COLLAR	1	1	1	1	
8	90387-062W7	COLLAR	1	1	1	1	
9	95027-06045	BOLT, FLANGE	1	1	1	1	
10	90201-06060	WASHER, PLATE	1	1	1	1	
11	90201-06071	WASHER, PLATE	1	1	1	1	
12	95027-06012	BOLT, FLANGE	1	1	1	1	
13	90119-06192	BOLT, WITH WASHER	1	1	1	1	
14	95027-06025	BOLT, FLANGE	1	1	1	1	
15	4JY-14615-00	JOINT, EXHAUST 1	1	1	1	1	
16	5HD-14753-00	SILENCER, EXHAUST	1	1	1	1	
17	5HD-1469A-00	.FIBER	1	1	1	1	
18	92017-06010	.BOLT, BUTTON HEAD	2	2	2	2	
19	95027-06025	BOLT, FLANGE	1	1	1	1	
20	90201-06071	WASHER, PLATE	1	1	1	1	
21	90387-063G3	COLLAR	2	2	2	2	
22	90480-16561	GROMMET	2	2	2	2	

FIG. 9 CRANKCASE

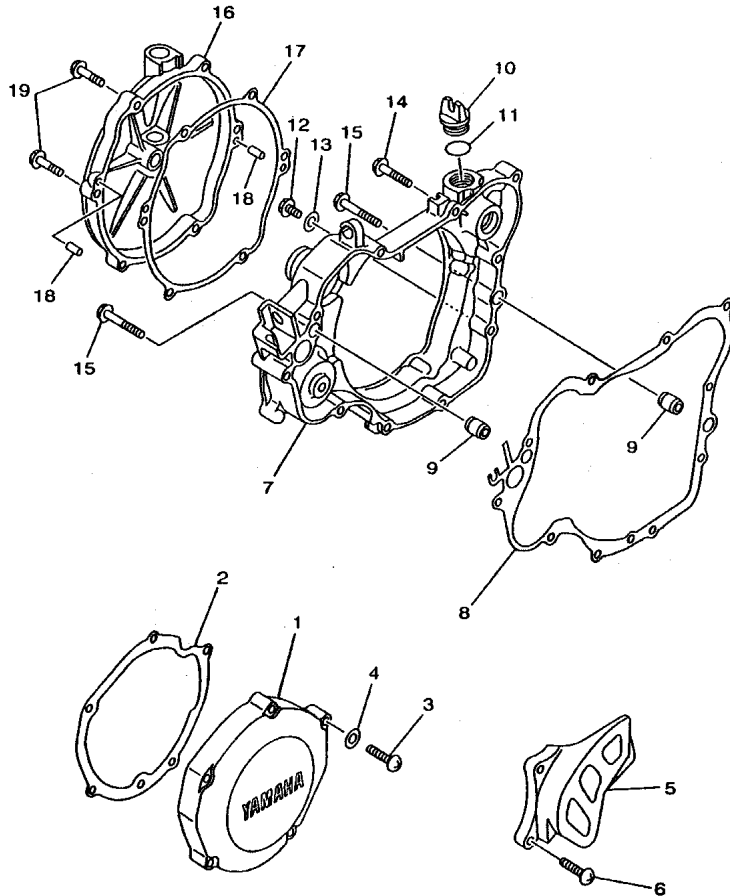


REF. NO.	PART NO.	DESCRIPTION	SHD1	SHD2	SHD3	SHD4	REMARKS
1	5ET-15111-00	CRANKCASE 1	1	1	1	1	
2	353-13115-01	CONNECTOR, SUCTION PIPE	1	1	1	1	
3	90445-08605	HOSE	1	1	1	1	
4	93612-16254	PIN, DOWEL	2	2	2	2	
5	5ET-15121-00	CRANKCASE 2	1	1	1	1	
6	90387-1712Y	COLLAR	2	2	2	2	
7	90340-12059	PLUG, STRAIGHT SCREW	1	1	1	1	
8	90430-12227	GASKET	1	1	1	1	
9	91317-06045	BOLT	4	4	4	4	
10	91317-06055	BOLT	6	6	6	6	
11	91317-06070	BOLT	2	2	2	2	
12	90461-10136	CLAMP	1	1	1	1	
13	3R4-15118-00	HOLDER	1	1	1	1	
14	90105-06556	BOLT, WASHER BASED	1	1	1	1	
15	99590-17016	PIN, DOWEL	1	1	1	1	
16	93210-16314	O-RING	1	1	1	1	



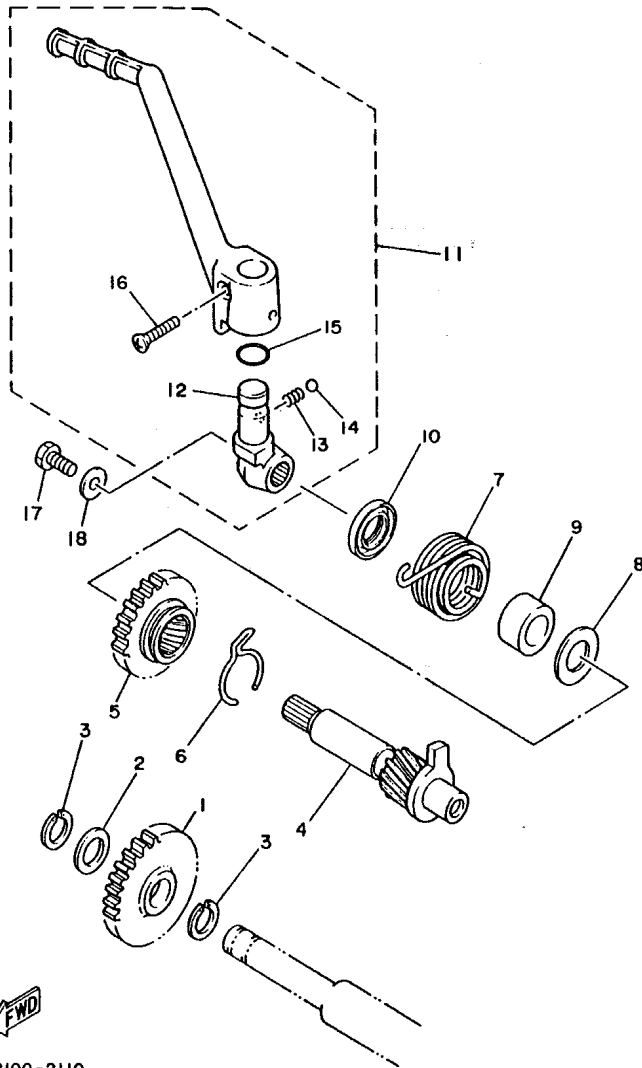
5DH1100-8090

FIG. 10 CRANKCASE COVER 1



REF. NO.	PART NO.	DESCRIPTION	SHD1	SHD2	SHD3	SHD4	REMARKS
1	4JY-15411-00	COVER, CRANKCASE 1	1	1	1	1	
2	4JY-15451-01	GASKET, CRANKCASE COVER 1	1	1	1	1	
3	98507-06030	SCREW, PAN HEAD	5	5	5	5	
4	92907-06600	WASHER, PLATE	5	5	5	5	
5	4EX-15421-00	COVER, CRANKCASE 2	1	1	1	1	
6	98507-06016	SCREW, PAN HEAD	2	2	2	2	
7	4JY-15431-12	COVER, CRANKCASE 3	1	1	1	1	
8	4JY-15462-00	GASKET, CRANKCASE COVER 3	1	1	1	1	
9	99530-10114	PIN, DOWEL	2	2	2	2	
10	3Y1-15363-00	PLUG, OIL	1	1	1	1	
11	93210-19123	O-RING	1	1	1	1	
12	95027-06010	BOLT, FLANGE	1	1	1	1	
13	90430-06014	GASKET	1	1	1	1	
14	95027-06030	BOLT, FLANGE	6	6	6	6	
15	95027-06040	BOLT, FLANGE	2	2	2	2	
16	4JY-15415-00	COVER, GENERATOR	1	1	1	1	
17	4JY-15463-01	GASKET, CARBURETOR COVER 2	1	1	1	1	
18	93604-10011	PIN, DOWEL	2	2	2	2	
19	95027-06025	BOLT, FLANGE	6	6	6	6	

5ET1100-9100

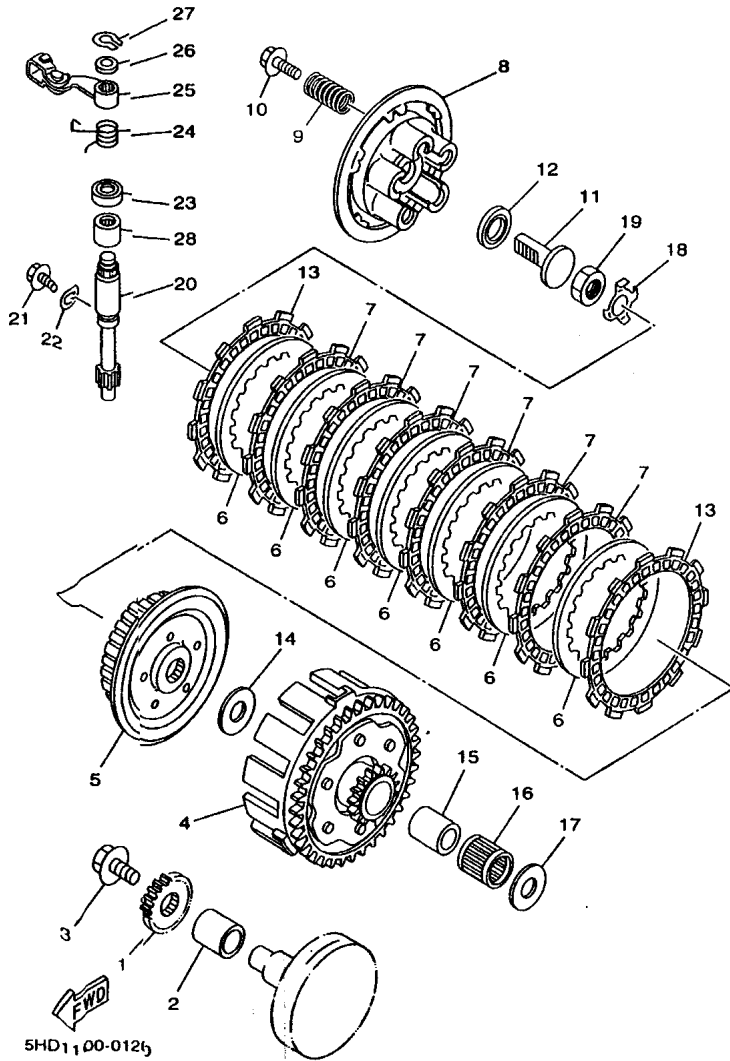


4DB2100-2110

FIG. 11 STARTER

REF. NO.	PART NO.	DESCRIPTION					REMARKS
			SHD1	SHD2	SHD3	SHD4	
1	1LX-15651-00	GEAR, KICK IDLE	1	1	1	1	
2	90201-152H7	WASHER, PLATE	1	1	1	1	
3	93440-15012	CIRCLIP	2	2	2	2	
4	1LX-15660-03	KICK AXLE ASSY	1	1	1	1	
5	1LX-15641-00	GEAR, KICK	1	1	1	1	
6	90468-26048	CLIP	1	1	1	1	
7	90508-26450	SPRING, TORSION	1	1	1	1	
8	90201-171G4	WASHER, PLATE	1	1	1	1	
9	90560-17279	SPACER	1	1	1	1	
10	93102-17263	OIL SEAL	1	1	1	1	
11	4DB-15620-03	KICK CRANK ASSY	1	1	1	1	
12	4DB-15621-03	.BOSS, KICK CRANK	1	1	1	1	
13	90501-12081	.SPRING, COMPRESSION	1	1	1	1	
14	93507-32009	.BALL	1	1	1	1	
15	93210-15171	.O-RING	1	1	1	1	
16	90152-06010	.SCREW, COUNTERSUNK	1	1	1	1	
17	97027-06012	BOLT	1	1	1	1	
18	90201-06060	WASHER, PLATE	1	1	1	1	

FIG. 12 CLUTCH



REF. NO.	PART NO.	DESCRIPTION	5HD1	5HD2	5HD3	5HD4	REMARKS
1	3XJ-16111-00	GEAR, PRIMARY DRIVE	1	1	1	1	
2	90387-202T9	COLLAR	1	1	1	1	
3	90105-10445	BOLT, WASHER BASED	1	1	1	1	
4	4JY-16150-02	PRIMARY DRIVEN GEAR COMP.	1	1	1	1	
5	4EX-16371-00	BOSS, CLUTCH	1	1	1	1	
6	3XJ-16324-00	PLATE, CLUTCH 1	7	7	7	7	
7	5DH-16321-00	PLATE, FRICTION	6	6	6	6	
8	5HD-16351-00	PLATE, PRESSURE 1	1	1	1	1	
9	90501-23598	SPRING, COMPRESSION	5	5	5	5	
10	90159-06016	SCREW, WITH WASHER	5	5	5	5	
11	3SB-16356-00	ROD, PUSH 1	1	1	1	1	
12	93340-21008	BEARING	1	1	1	1	
13	3XJ-16321-00	PLATE, FRICTION	2	2	2	2	
14	90201-20611	WASHER, PLATE	1	1	1	1	
15	3XJ-16181-00	SPACER 1	1	1	1	1	
16	93310-225N0	BEARING	1	1	1	1	
17	90201-20611	WASHER, PLATE	1	1	1	1	
18	90215-16289	WASHER, LOCK	1	1	1	1	
19	90170-16326	NUT	1	1	1	1	
20	4EX-16382-00	AXLE, PUSH LEVER	1	1	1	1	
21	90109-06418	BOLT	1	1	1	1	
22	90430-06014	GASKET	1	1	1	1	
23	93102-12224	OIL SEAL	1	1	1	1	
24	90508-141B4	SPRING, TORSION	1	1	1	1	
25	3JD-16340-00	PUSH LEVER ASSY	1	1	1	1	
26	90201-10119	WASHER, PLATE	1	1	1	1	
27	99009-10400	CIRCLIP	1	1	1	1	

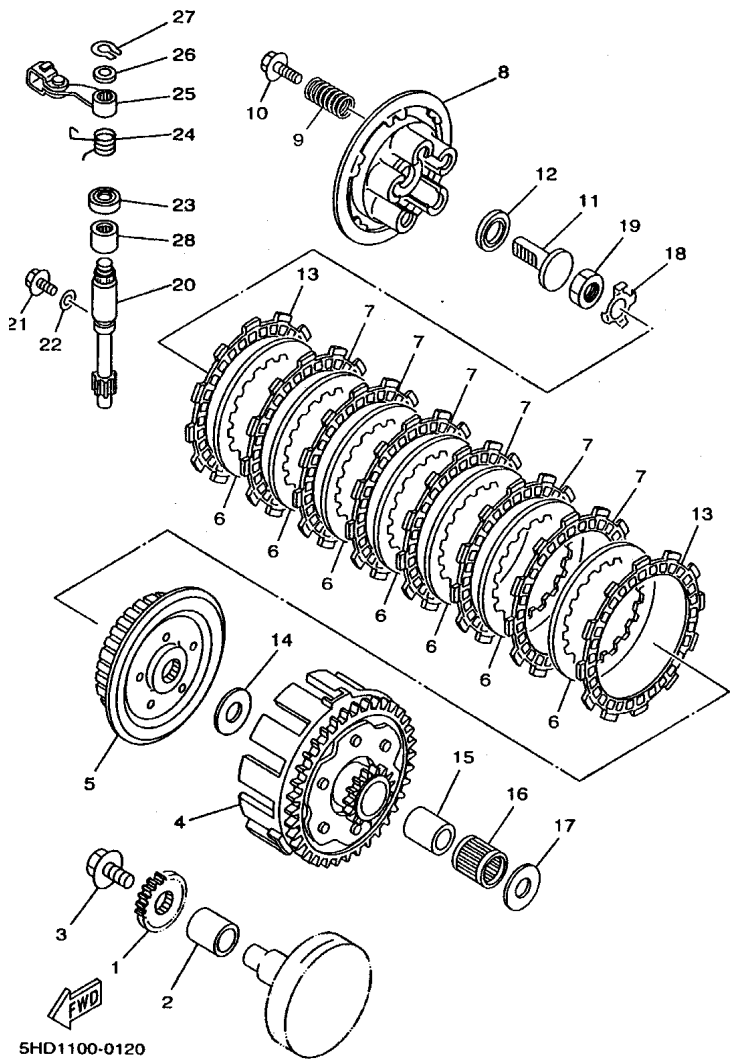
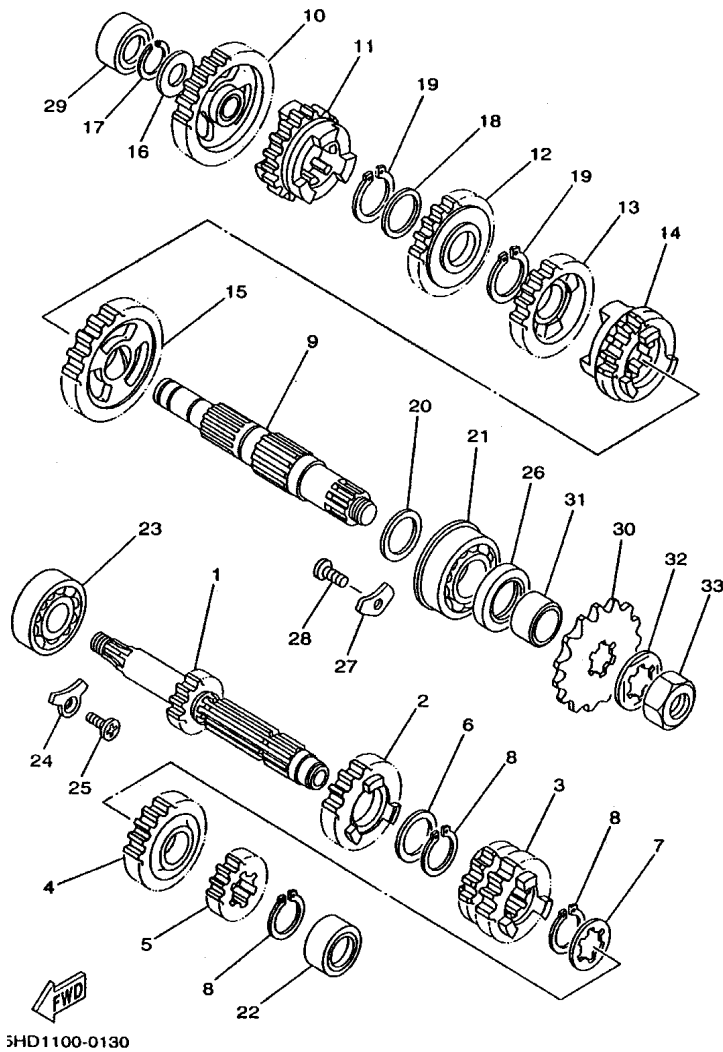


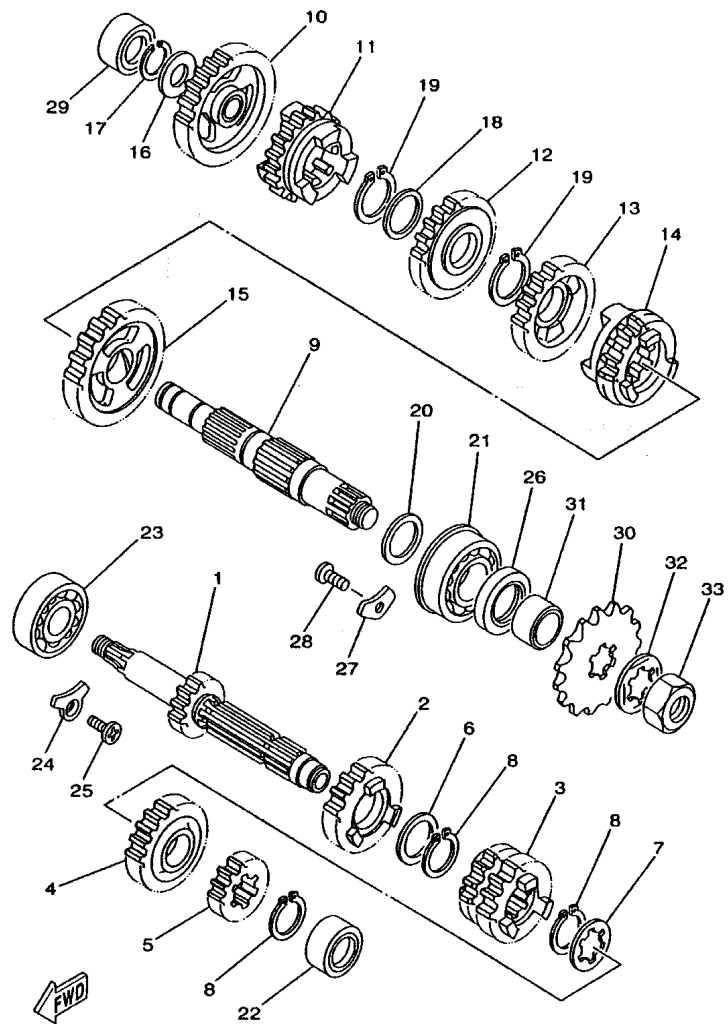
FIG. 12 CLUTCH

REF. NO.	PART NO.	DESCRIPTION	SHD1	SHD2	SHD3	SHD4	REMARKS
28	93315-11206	BEARING	1	1	1	1	

FIG. 13 TRANSMISSION



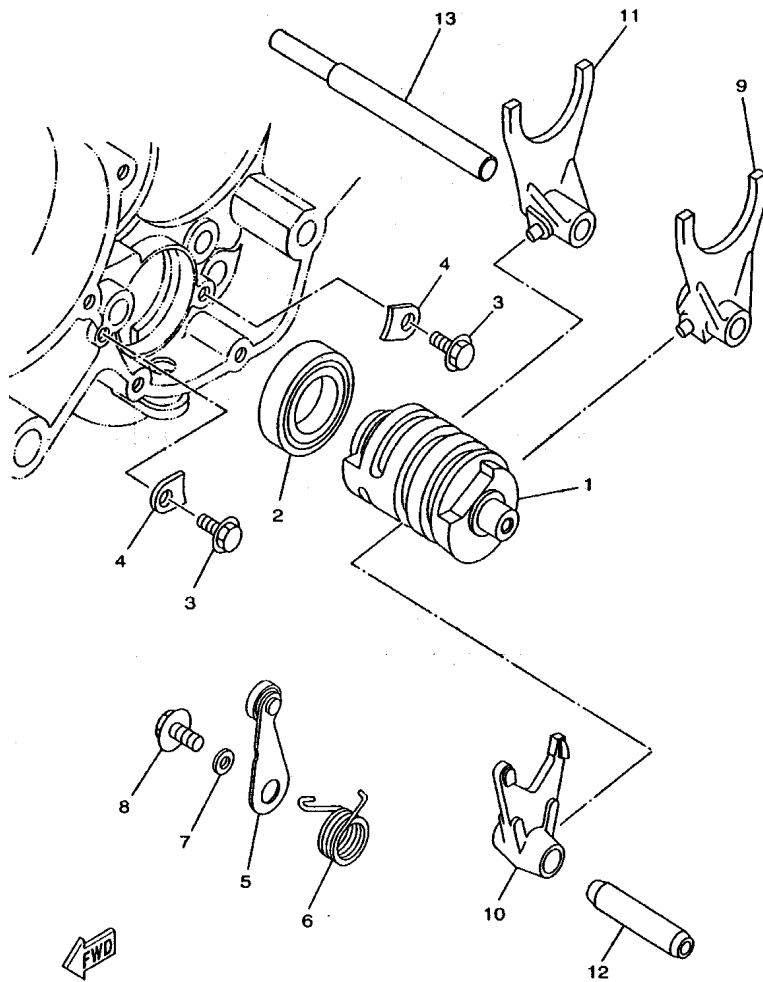
REF. NO.	PART NO.	DESCRIPTION	5HD1	5HD2	5HD3	5HD4	REMARKS
1	4XM-17411-00	AXLE, MAIN	1	1	1	1	
2	4EX-17151-00	GEAR, 5TH PINION	1	1	1	1	
3	4EX-17131-01	GEAR, 3RD PINION	1	1	1	1	
4	4XM-17161-00	GEAR, 6TH PINION	1	1	1	1	
5	4XM-17121-00	GEAR, 2ND PINION	1	1	1	1	
6	90201-22555	WASHER, PLATE	1	1	1	1	
7	90209-18135	WASHER	1	1	1	1	
8	93410-22039	CIRCLIP	3	3	3	3	
9	5HD-17421-00	AXLE, DRIVE	1	1	1	1	
10	4XM-17211-00	GEAR, 1ST WHEEL	1	1	1	1	
11	5HD-17251-00	GEAR, 5TH WHEEL	1	1	1	1	
12	3SR-17231-00	GEAR, 3RD WHEEL	1	1	1	1	
13	4EX-17241-00	GEAR, 4TH WHEEL	1	1	1	1	
14	5HD-17261-00	GEAR, 6TH WHEEL	1	1	1	1	
15	4XM-17221-00	GEAR, 2ND WHEEL	1	1	1	1	
16	90201-15700	WASHER, PLATE	1	1	1	1	
17	93440-15012	CIRCLIP	1	1	1	1	
18	90209-20008	WASHER	1	1	1	1	
19	93410-22039	CIRCLIP	2	2	2	2	
20	90201-20611	WASHER, PLATE	1	1	1	1	
21	93306-30411	BEARING (B6304)	1	1	1	1	
22	93311-41530	BEARING	1	1	1	1	
23	93306-20431	BEARING (B6204Z)	1	1	1	1	
24	1LX-15383-00	PLATE, BEARING COVER	1	1	1	1	
25	90151-06037	SCREW, COUNTERSUNK	1	1	1	1	
26	93102-26042	OIL SEAL	1	1	1	1	
27	4XM-15383-00	PLATE, BEARING COVER	2	2	2	2	



5HD1100-0130

FIG. 13 TRANSMISSION

REF. NO.	PART NO.	DESCRIPTION	5HD1	5HD2	5HD3	5HD4	REMARKS
28	90151-06037	SCREW, COUNTERSUNK	2	2	2	2	
29	93311-31515	BEARING	1	1	1	1	
30	9383A-13031	SPROCKET,DRIVE 13T(2HG1746130)	1	1	1	1	STD
	9383A-12017	SPROCKET,DRIVE 12T(2HG1746120)	1	1	1	1	AP
	9383A-14054	SPROCKET,DRIVE 14T(2HG1746140)	1	1	1	1	AP
31	90387-202A0	COLLAR	1	1	1	1	
32	90215-20261	WASHER, LOCK	1	1	1	1	
33	90179-16226	NUT	1	1	1	1	



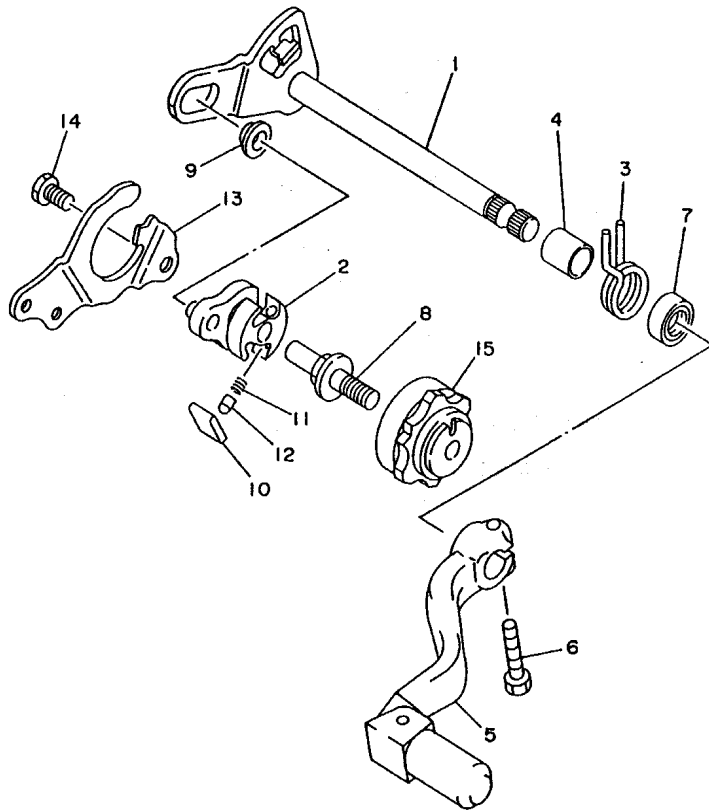
5HD1100-0140

FIG. 14 SHIFT CAM. FORK

REF. NO.	PART NO.	DESCRIPTION	5HD1	5HD2	5HD3	5HD4	REMARKS
1	5DH-18541-00	CAM, SHIFT	1	1	1	1	
2	93306-90504	BEARING	1	1	1	1	
3	90105-06553	BOLT, WASHER BASED	2	2	2	2	
4	5DH-18562-00	PLATE, STOPPER 2	2	2	2	2	
5	5HD-18140-00	STOPPER LEVER ASSY	1	1	1	1	
6	90508-261B7	SPRING, TORSION	1	1	1	1	
7	90387-063F7	COLLAR	1	1	1	1	
8	90159-06078	SCREW, WITH WASHER	1	1	1	1	
9	4SS-18511-00	FORK, SHIFT 1	1	1	1	1	
10	2VN-18512-01	FORK, SHIFT 2	1	1	1	1	
11	4SS-18513-00	FORK, SHIFT 3	1	1	1	1	
12	4EX-18531-00	BAR, SHIFT FORK GUIDE 1	1	1	1	1	
13	4EX-18535-00	BAR, SHIFT FORK GUIDE 2	1	1	1	1	

C6

FIG. 15 SHIFT SHAFT

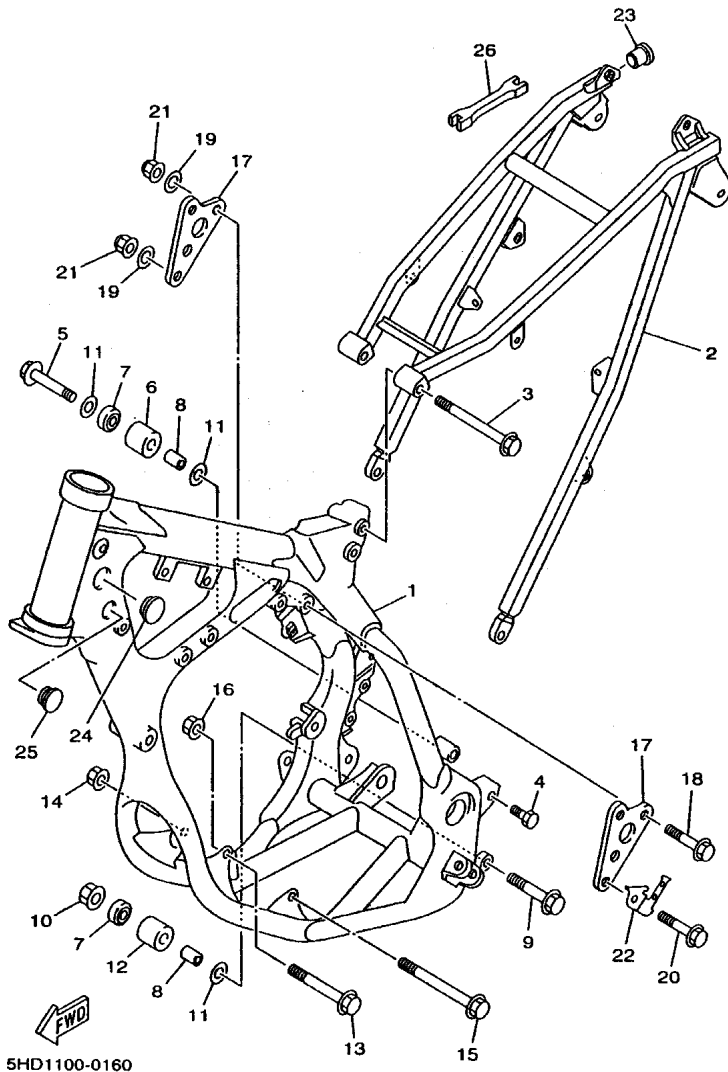


REF. NO.	PART NO.	DESCRIPTION					REMARKS
			SHD1	SHD2	SHD3	SHD4	
1	4SS-18101-00	SHIFT SHAFT ASSY	1	1	1	1	
2	3XJ-18122-00	LEVER, SHIFT 2	1	1	1	1	
3	90508-295A7	SPRING, TORSION	1	1	1	1	
4	90560-12280	SPACER	1	1	1	1	
5	4SS-18110-00	SHIFT PEDAL ASSY	1	1	1	1	
6	95027-06020	BOLT, FLANGE	1	1	1	1	
7	93109-12012	OIL SEAL	1	1	1	1	
8	3XJ-18173-00	PIN, SHIFT	1	1	1	1	
9	3XJ-18178-00	ROLLER, SHIFT LEVER	1	1	1	1	
10	3XJ-18182-00	PAWL, SHIFTER	2	2	2	2	
11	90501-052G5	SPRING, COMPRESSION	2	2	2	2	
12	3XJ-18184-00	PIN, PAWL	2	2	2	2	
13	4JY-18172-00	GUIDE, SHIFT	1	1	1	1	
14	90101-06664	BOLT	2	2	2	2	
15	4EW-18185-00	SEGMENT	1	1	1	1	



ISS1100-6150

C7



5HD1100-0160

FIG. 16 FRAME

REF. NO.	PART NO.	DESCRIPTION					REMARKS
			5HD1	5HD2	5HD3	5HD4	
1	5HD-21110-00-P0	FRAME COMP.	1	1	1	1	DPBMC
2	5HC-21190-00-P0	REAR FRAME COMP.	1	1	1	1	DPBMC
3	90105-08099	BOLT, WASHER BASED	1	1	1	1	
4	90110-08096	BOLT, HEXAGON SOCKET HEAD	2	2	2	2	
5	95027-08040	BOLT, FLANGE	1	1	1	1	
6	4EW-22178-00	TENSIONER	1	1	1	1	
7	93300-60804	BEARING	2	2	2	2	
8	90387-086N4	COLLAR	2	2	2	2	
9	95027-08065	BOLT, FLANGE	1	1	1	1	
10	95707-08500	NUT, FLANGE	1	1	1	1	
11	90201-086P8	WASHER, PLATE	3	3	3	3	
12	3JD-22178-10	TENSIONER	1	1	1	1	
13	95817-10090	BOLT, FLANGE	1	1	1	1	
14	95607-10200	NUT, SELF-LOCKING	1	1	1	1	
15	90105-10733	BOLT, WASHER BASED	1	1	1	1	
16	95607-10200	NUT, SELF-LOCKING	1	1	1	1	
17	4SS-21425-00	BRACKET, REAR UPPER 1	2	2	2	2	
18	95817-08050	BOLT, FLANGE	2	2	2	2	
19	90201-08730	WASHER, PLATE	3	3	3	3	
20	90105-08494	BOLT, WASHER BASED	1	1	1	1	
21	90185-08169	NUT, SELF-LOCKING	3	3	3	3	
22	5DH-21274-00	BRACKET, C.D.I. UNIT	1	1	1	1	
23	90338-16148	PLUG	2	2	2	2	
24	90338-30256	PLUG	2	2	2	2	
25	90338-21145	PLUG	4	4	4	4	
26	5ET-28166-00	WRENCH, HEXAGON	1	1	1	1	

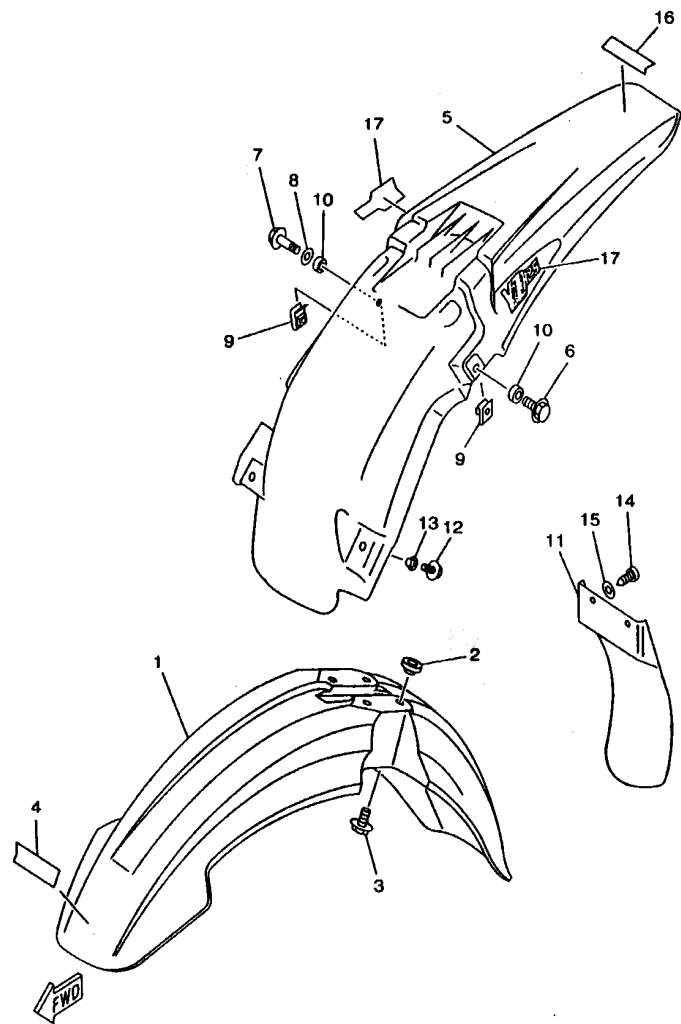
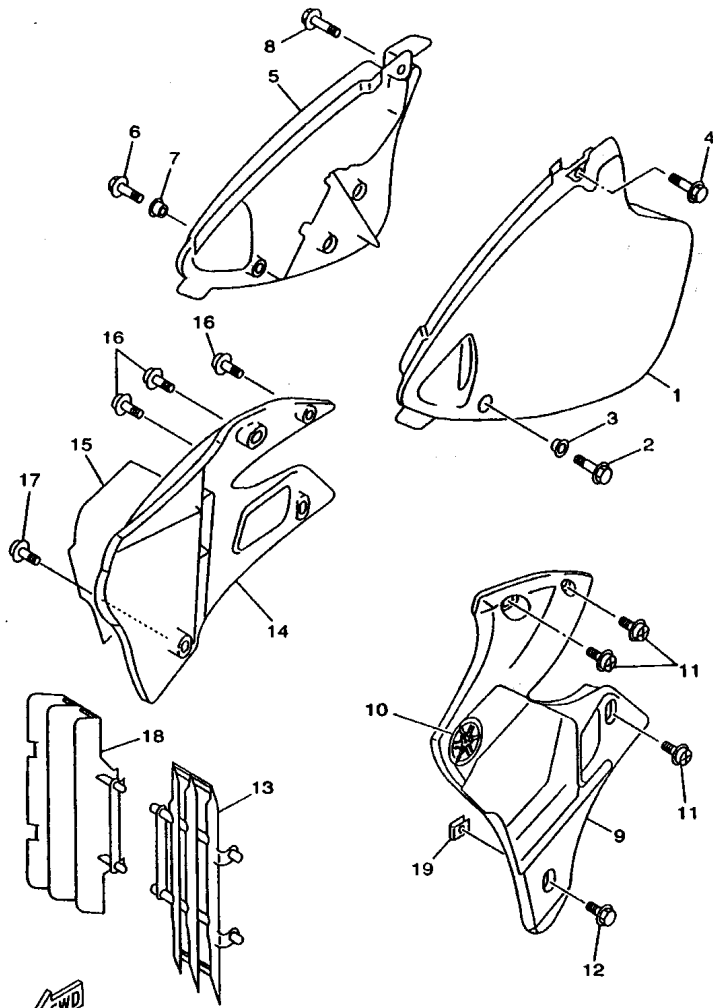


FIG. 17 FENDER

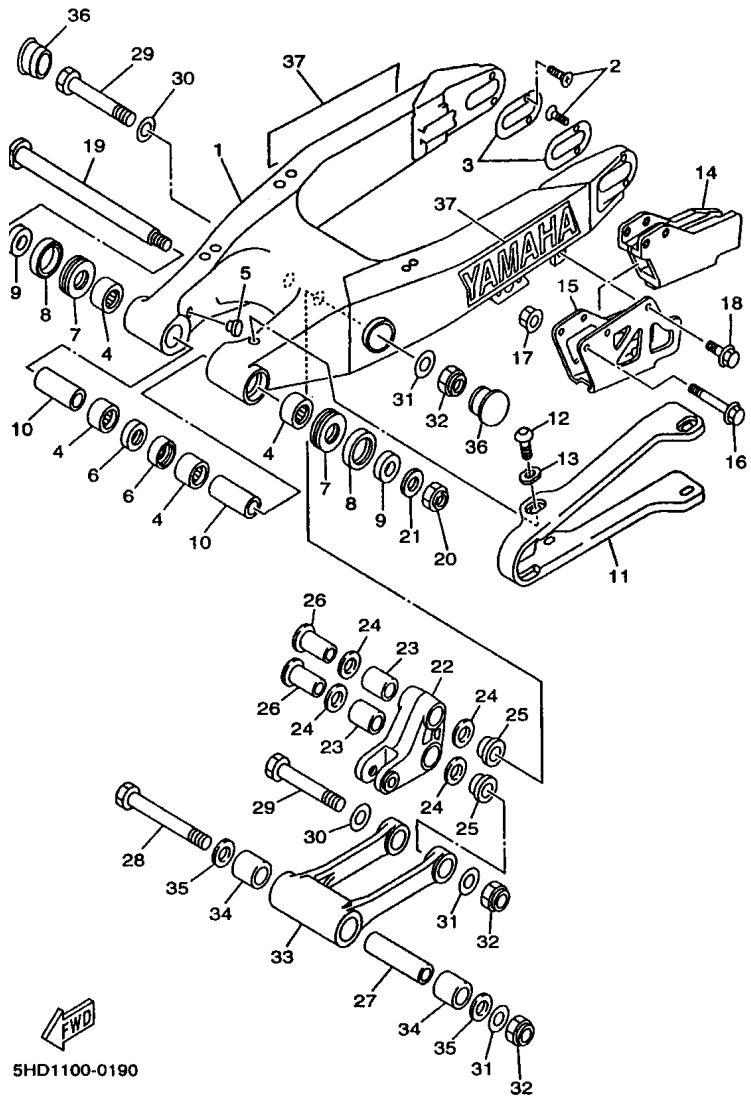
REF. NO.	PART NO.	DESCRIPTION	5HD1	5HD2	5HD3	5HD4	REMARKS
1	5HD-21511-00	FENDER, FRONT	1	1	1	1	
2	3JD-21748-00	COLLAR	4	4	4	4	
3	90119-06096	BOLT, WITH WASHER	4	4	4	4	
4	99241-00080	EMBLEM, YAMAHA	1	1	1	1	
5	5BE-21611-10	FENDER, REAR	1	1	1	1	
6	90119-06192	BOLT, WITH WASHER	1	1	1	1	
7	95027-06030	BOLT, FLANGE	1	1	1	1	
8	90201-06071	WASHER, PLATE	1	1	1	1	
9	90183-08023	NUT, SPRING	2	2	2	2	
10	90387-0701A	COLLAR	2	2	2	2	
11	4ES-21642-00	GUARD, FLAP	1	1	1	1	
12	95027-06020	BOLT, FLANGE	2	2	2	2	
13	90387-06009	COLLAR	1	1	1	1	
14	97707-60016	SCREW, TAPPING	2	2	2	2	
15	90201-06557	WASHER, PLATE	2	2	2	2	
16	99241-00080	EMBLEM, YAMAHA	1	1	1	1	
17	5ET-21781-00	EMBLEM 1	2	2	2	2	

FIG. 18 SIDE COVER



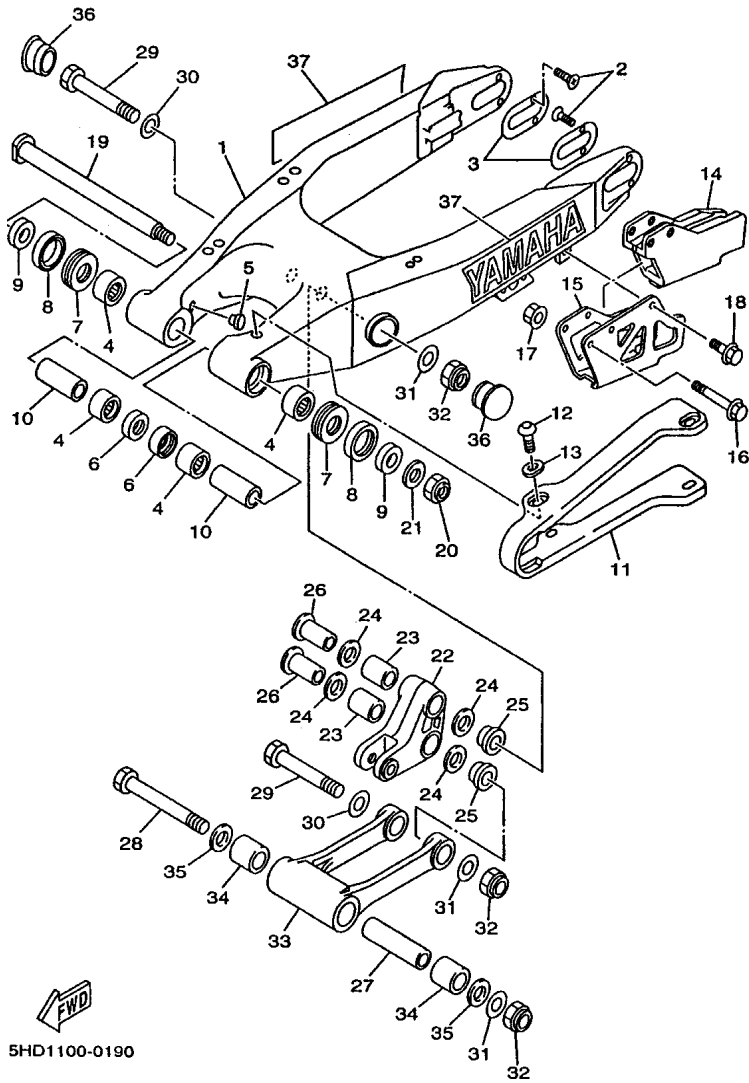
5HD1100-0180

REF. NO.	PART NO.	DESCRIPTION	5HD1	5HD2	5HD3	5HD4	REMARKS
1	4SS-21711-00	COVER, SIDE 1	1	1	1	1	
2	95827-06016	BOLT, FLANGE	1	1	1	1	
3	90387-06009	COLLAR	1	1	1	1	
4	95827-06016	BOLT, FLANGE	1	1	1	1	
5	4SS-21721-00	COVER, SIDE 2	1	1	1	1	
6	95827-06016	BOLT, FLANGE	1	1	1	1	
7	90387-06009	COLLAR	1	1	1	1	
8	95827-06016	BOLT, FLANGE	1	1	1	1	
9	5ET-21730-10	SIDE COVER ASSY 3	1	1	1	1	
10	5HD-2173E-00	GRAPHIC 1	1	1	1	1	
11	90159-06182	SCREW, WITH WASHER	3	3	3	3	
12	90159-06078	SCREW, WITH WASHER	1	1	1	1	
13	4EW-2172A-00	PANEL 1	1	1	1	1	
14	5ET-21740-10	SIDE COVER ASSY 4	1	1	1	1	
15	5HD-2173F-00	GRAPHIC 2	1	1	1	1	
16	90159-06182	SCREW, WITH WASHER	3	3	3	3	
17	90159-06078	SCREW, WITH WASHER	1	1	1	1	
18	4EW-2172A-00	PANEL 1	1	1	1	1	
19	90183-06069	NUT, SPRING	2	2	2	2	



REF. NO.	PART NO.	DESCRIPTION					REMARKS
			5HD1	5HD2	5HD3	5HD4	
1	5CU-22110-00	REAR ARM COMP.	1	1	1	1	
2	90151-04048	SCREW, COUNTERSUNK	4	4	4	4	
3	5ET-22355-00	PATCH	2	2	2	2	
4	93317-22262	BEARING	4	4	4	4	
5	90338-16148	PLUG	2	2	2	2	
6	93106-22019	OIL SEAL (DC 22-28-8)	2	2	2	2	
7	93342-22217	BEARING	2	2	2	2	
8	93109-28043	OIL SEAL	2	2	2	2	
9	90387-1714R	COLLAR	2	2	2	2	
10	90387-1714S	COLLAR	2	2	2	2	
11	4EW-22151-20	SEAL, GUARD	1	1	1	1	
12	90110-05201	BOLT, HEXAGON SOCKET HEAD	4	4	4	4	
13	5ET-22156-00	WASHER, PLATE	4	4	4	4	
14	4XM-22199-00	SUPPORT, CHAIN	1	1	1	1	
15	4XM-22128-00	COVER, THRUST 1	1	1	1	1	
16	95027-08050	BOLT, FLANGE	2	2	2	2	
17	90179-06568	NUT	2	2	2	2	
18	95027-06010	BOLT, FLANGE	1	1	1	1	
19	5DH-22141-00	SHAFT, PIVOT	1	1	1	1	
20	90185-16127	NUT, SELF-LOCKING	1	1	1	1	
21	90201-164H4	WASHER, PLATE	1	1	1	1	
22	5ET-2217A-00	ARM, RELAY	1	1	1	1	
23	93315-32056	BEARING	2	2	2	2	
24	93109-20076	OIL SEAL	4	4	4	4	
25	90387-164N2	COLLAR	2	2	2	2	
26	90387-164N3	COLLAR	2	2	2	2	
27	90387-167Y9	COLLAR	1	1	1	1	

FIG. 19 REAR ARM



REF. NO.	PART NO.	DESCRIPTION	5HD1	5HD2	5HD3	5HD4	REMARKS
28	90109-147F2	BOLT	1	1	1	1	
29	90109-142F4	BOLT	2	2	2	2	
30	90201-164H4	WASHER, PLATE	2	2	2	2	
31	90201-14740	WASHER, PLATE	3	3	3	3	
32	90185-14112	NUT, SELF-LOCKING	3	3	3	3	
33	5DH-2217F-01	ROD, CONNECTING 1	1	1	1	1	
34	93315-32056	BEARING	2	2	2	2	
35	93109-20076	OIL SEAL	2	2	2	2	
36	5HD-2135F-00	COVER	2	2	2	2	
37	99244-00200	EMBLEM, YAMAHA	2	2	2	2	

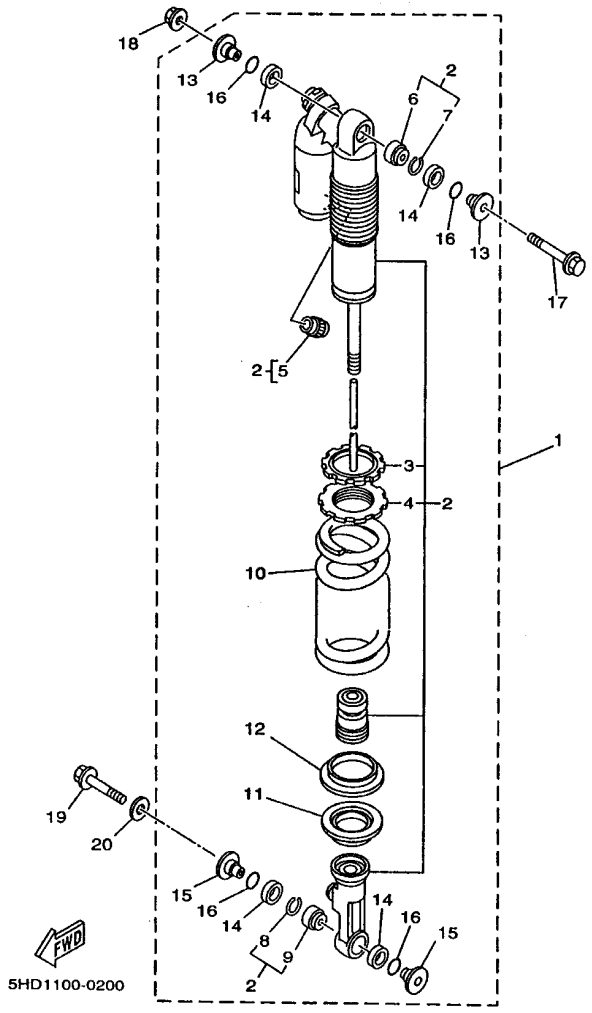


FIG. 20 REAR SUSPENSION

REF. NO.	PART NO.	DESCRIPTION					REMARKS
			5HD1	5HD2	5HD3	5HD4	
1	5HD-22210-00	SHOCK ABSORBER ASSY, REAR	1				FOR USA
	5HD-22210-10	SHOCK ABSORBER ASSY, REAR		1			
	5HD-22210-20	SHOCK ABSORBER ASSY, REAR			1		
	5HD-22210-30	SHOCK ABSORBER ASSY, REAR	1				FOR CAN
	5HD-22210-40	SHOCK ABSORBER ASSY, REAR	1			1	FOR ZAF
2	5HD-22201-00	.DAMPER SUB ASSY	1				FOR USA
	5HD-22201-10	.DAMPER SUB ASSY		1			
	5HD-22201-20	.DAMPER SUB ASSY			1		
	5HD-22201-30	.DAMPER SUB ASSY	1				FOR CAN
	5HD-22201-40	.DAMPER SUB ASSY	1			1	FOR ZAF
3	3SP-22234-00	.GUIDE, SPRING 3	1	1	1	1	
4	3SP-22213-00	.SEAT, SPRING UPPER	1	1	1	1	
5	509-23184-L0	.CAP, AIR VALVE	1	1	1	1	
6	4JX-22226-00	.BUSH, SHOCK ABSORBER LOWER	1	1	1	1	
7	5DH-23183-00	.CIRCLIP	1	1	1	1	
8	5DH-23183-00	.CIRCLIP	1	1	1	1	
9	4JX-22226-00	.BUSH, SHOCK ABSORBER LOWER	1	1	1	1	
10	5DH-22212-10	.SPRING (K=4.6)	1		1	1	
	5ET-22212-00	.SPRING (K=APPROX.4.8)		1			
11	5DH-22214-00	.GUIDE, SPRING 1	1	1	1	1	
12	5DH-22224-00	.GUIDE, SPRING 2	1	1	1	1	
13	5DH-22253-00	.COLLAR, DISTANCE	2	2	2	2	
14	3JE-22475-00	.SEAL, DUST	4	4	4	4	
15	4EW-22253-00	.COLLAR, DISTANCE	2	2	2	2	
16	4EW-22474-00	.SEAL, RING	4	4	4	4	
17	90105-10323	BOLT, WASHER BASED	1	1	1	1	
18	95607-10200	NUT, SELF-LOCKING	1	1	1	1	

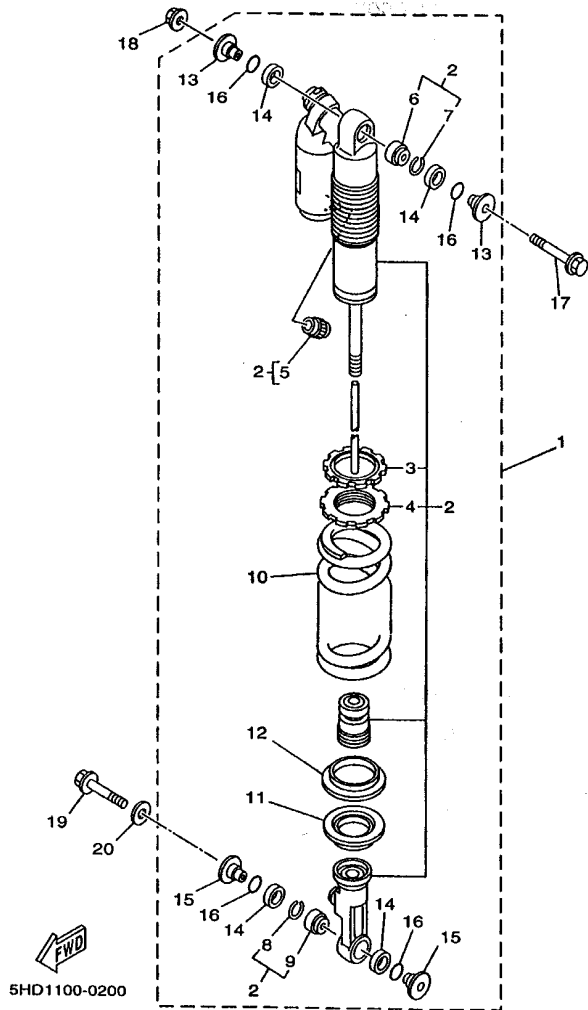
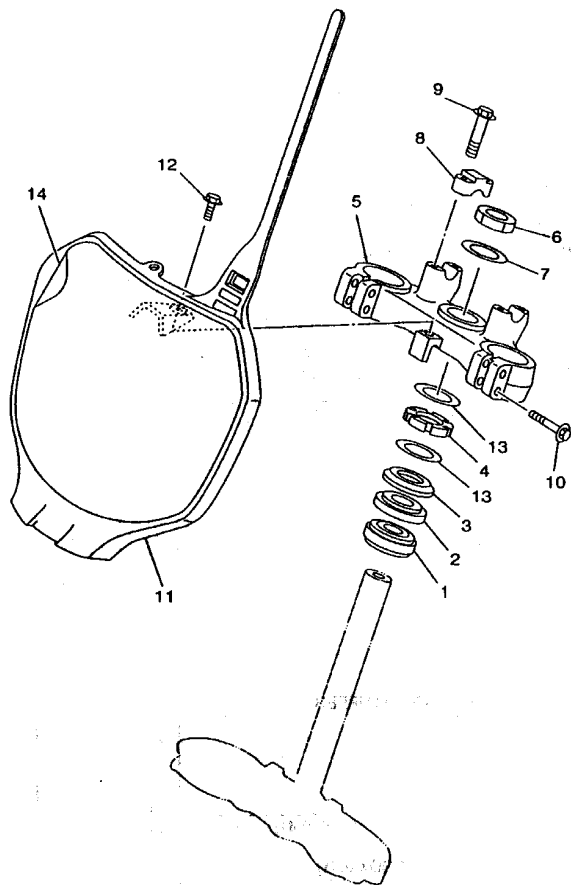


FIG. 20 REAR SUSPENSION

REF. NO.	PART NO.	DESCRIPTION	5HD1	5HD2	5HD3	5HD4	REMARKS
19	90105-105A2	BOLT, WASHER BASED	1	1	1	1	
20	90201-112U6	WASHER, PLATE	1	1	1	1	

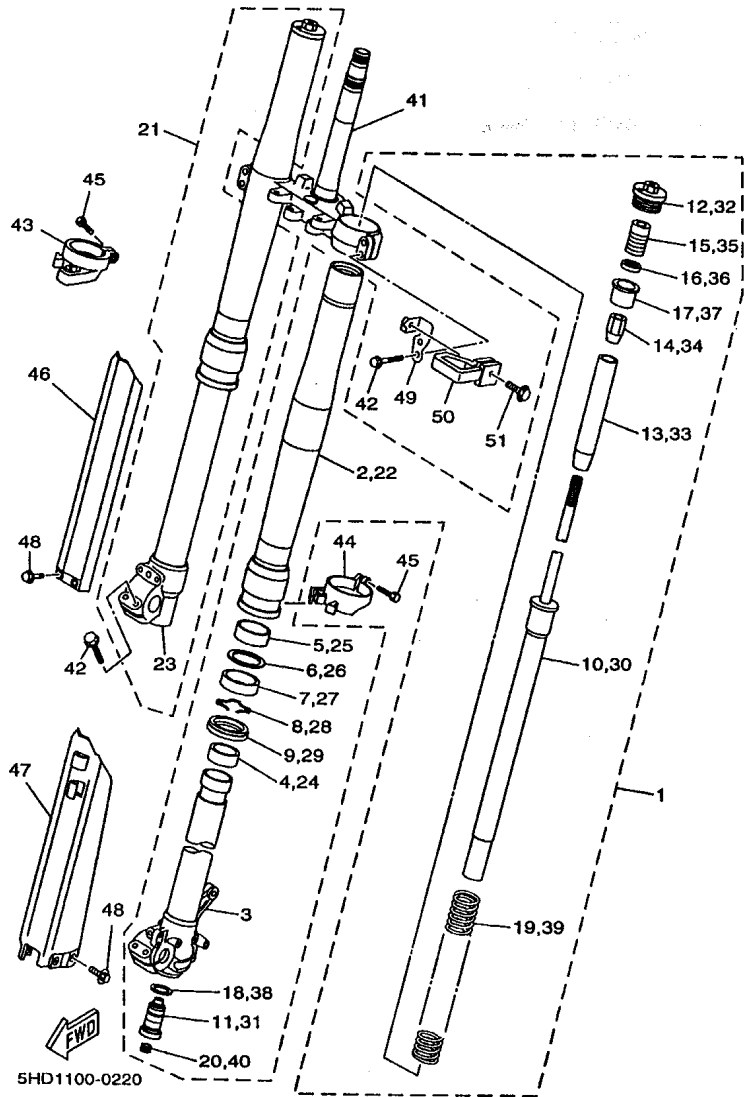


5HD1100-0210

FIG. 21 STEERING

REF. NO.	PART NO.	DESCRIPTION	5HD1	5HD2	5HD3	5HD4	REMARKS
1	93332-00081	BEARING	1	1	1	1	
2	93332-00068	BEARING	1	1	1	1	
3	4EW-23416-00	COVER, BALL RACE 2	1	1	1	1	
4	90179-28650	NUT	1	1	1	1	
5	5HC-23435-00	CROWN, HANDLE		1	1	1	
	5HC-23435-10	CROWN, HANDLE	1				
6	90170-24373	NUT	1	1	1	1	
7	90201-247L2	WASHER, PLATE	1	1	1	1	
8	3SP-23441-00	HOLDER, HANDLE UPPER	2	2	2	2	
9	95027-08035	BOLT, FLANGE	4	4	4	4	
10	95027-08040	BOLT, FLANGE	4	4	4	4	
11	5HD-23485-10	PLATE, NUMBER	1	1	1	1	
12	90119-06225	BOLT, WITH WASHER	1	1	1	1	
13	90201-286K9	WASHER, PLATE	2	2	2	2	
14	5HD-2339E-00	GRAPHIC 1	1	1	1	1	

FIG. 22 FRONT FORK



REF. NO.	PART NO.	DESCRIPTION					REMARKS
			5HD1	5HD2	5HD3	5HD4	
1	5HD-23102-00	FRONT FORK ASSY (L.H)	1		1	1	
	5HD-23102-10	FRONT FORK ASSY (L.H)		1			
2	5HD-23136-L0	.TUBE, OUTER (RIGHT)	1	1	1	1	
3	5DH-23120-L0	.INNER TUBE COMP.2	1	1	1	1	
4	5ET-23171-L0	.PISTON, FRONT FORK	1	1	1	1	
5	5ET-23125-L0	.METAL, SLIDE 1	1	1	1	1	
6	4SS-23146-L0	.WASHER, OIL SEAL	1	1	1	1	
7	5ET-23145-L0	.OIL SEAL	1	1	1	1	
8	4SS-23153-L0	.RING, SNAP	1	1	1	1	
9	5HD-23144-L0	.SEAL, DUST	1	1	1	1	
10	5HD-23170-L0	.CYLINDER COMP., FRONT FORK	1	1	1	1	
11	5ET-2316A-L0	.VALVE COMP.	1		1	1	
	5HD-2316A-M0	.VALVE COMP.		1			
12	5HD-23111-L0	.BOLT, CAP	1	1	1	1	
13	5DH-23142-L0	.SEAT, SPRING UPPER	1	1	1	1	
14	5HD-23393-L0	.NUT, SPECIAL	1	1	1	1	
15	5DH-23195-L0	.RUBBER	1	1	1	1	
16	5DH-23149-L0	.WASHER, SPRING UPPER	1	1	1	1	
17	5DH-23118-L0	.SPACER	1	1	1	1	
18	4SS-23158-L0	.GASKET	1	1	1	1	
19	4XM-23141-L0	.SPRING, FRONT FORK (K=0.41)	1		1	1	
	5ET-23141-L0	.SPRING (K=APPROX.0.41)		1			
20	3JD-2312G-L0	.PLUG	1	1	1	1	
21	5HD-23103-00	FRONT FORK ASSY (R.H)	1		1	1	
	5HD-23103-10	FRONT FORK ASSY (R.H)		1			
22	5HD-23136-L0	.TUBE, OUTER (RIGHT)	1	1	1	1	
23	5BF-23110-L0	.INNER TUBE COMP.1	1	1	1	1	

D2

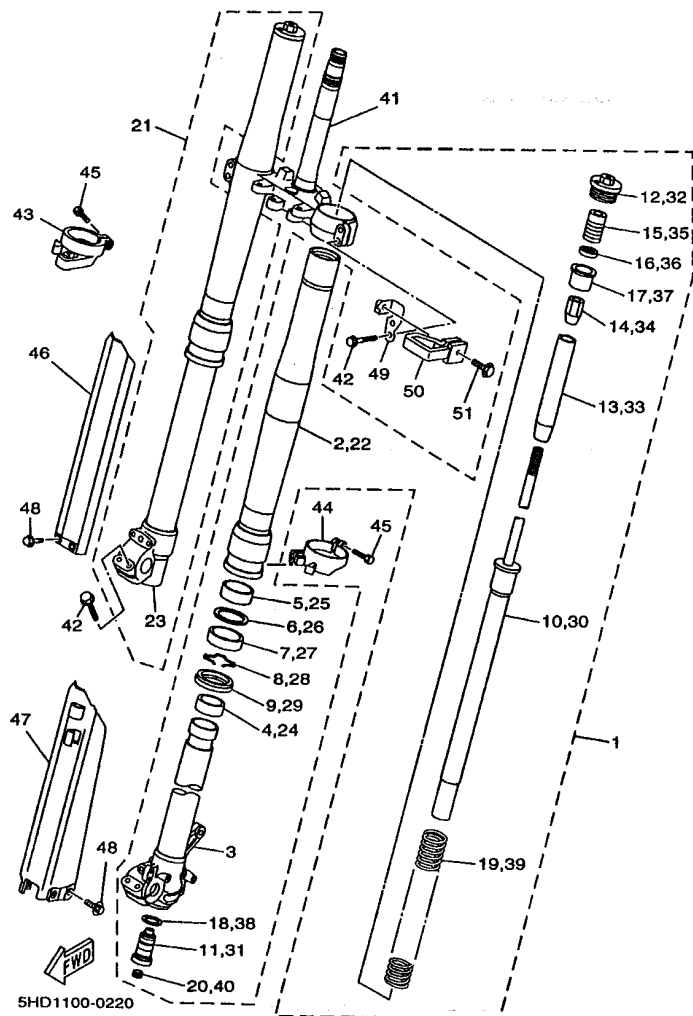
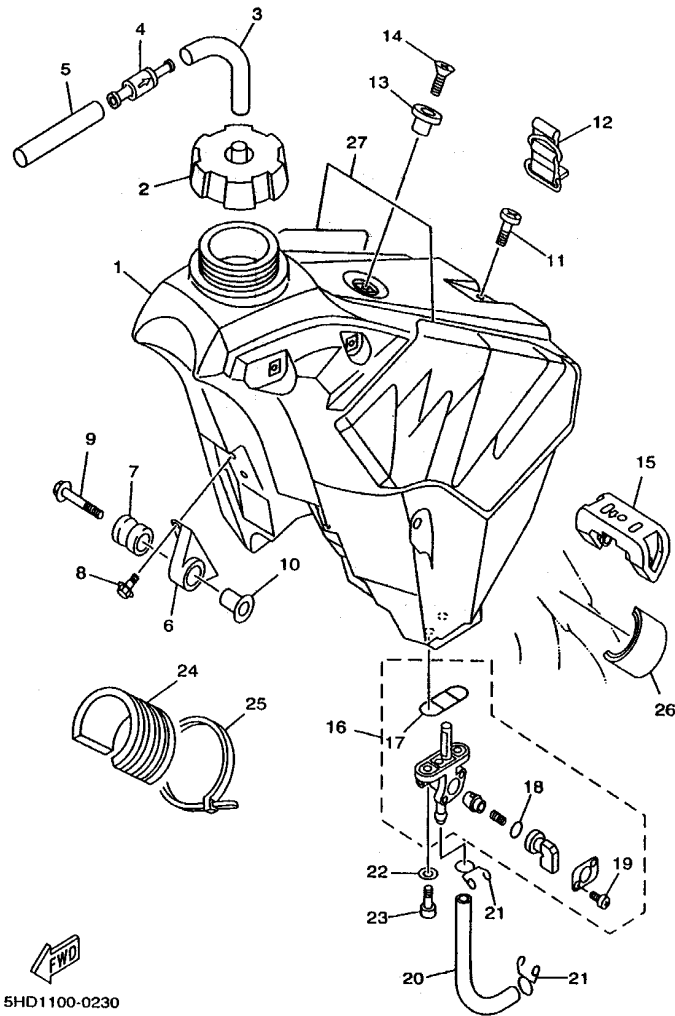


FIG. 22 FRONT FORK

REF. NO.	PART NO.	DESCRIPTION					REMARKS
			5HD1	5HD2	5HD3	5HD4	
24	5ET-23171-L0	.PISTON, FRONT FORK	1	1	1	1	
25	5ET-23125-L0	.METAL, SLIDE 1	1	1	1	1	
26	4SS-23146-L0	.WASHER, OIL SEAL	1	1	1	1	
27	5ET-23145-L0	.OIL SEAL	1	1	1	1	
28	4SS-23153-L0	.RING, SNAP	1	1	1	1	
29	5HD-23144-L0	.SEAL, DUST	1	1	1	1	
30	5HD-23170-L0	.CYLINDER COMP., FRONT FORK	1	1	1	1	
31	5ET-2316A-L0	.VALVE COMP.	1		1	1	
	5HD-2316A-M0	.VALVE COMP.		1			
32	5HD-23111-L0	.BOLT, CAP	1	1	1	1	
33	5DH-23142-L0	.SEAT, SPRING UPPER	1	1	1	1	
34	5HD-23393-L0	.NUT, SPECIAL	1	1	1	1	
35	5DH-23195-L0	.RUBBER	1	1	1	1	
36	5DH-23149-L0	.WASHER, SPRING UPPER	1	1	1	1	
37	5DH-23118-L0	.SPACER	1	1	1	1	
38	4SS-23158-L0	.GASKET	1	1	1	1	
39	4XM-23141-L0	.SPRING, FRONT FORK (K=0.41)	1		1	1	
	5ET-23141-L0	.SPRING (K=APPROX.0.41)		1			
40	3JD-2312G-L0	.PLUG	1	1	1	1	
41	5DH-23340-L0	UNDER BRACKET COMP.	1	1	1	1	
42	95021-08040	BOLT, FLANGE	8	8	8	8	
43	4SS-2314G-L0	PROTECTOR GUIDE COMP., 2	1	1	1	1	
44	5DH-2314F-L0	PROTECTOR GUIDE COMP., 1	1	1	1	1	
45	4SS-23346-L0	BOLT 1	2	2	2	2	
46	5DH-2314J-00	PROTECTOR COMP., 2	1	1	1	1	
47	5DH-2314H-00	PROTECTOR COMP., 1	1	1	1	1	
48	3SP-23356-L0	BOLT 2	6	6	6	6	

D3



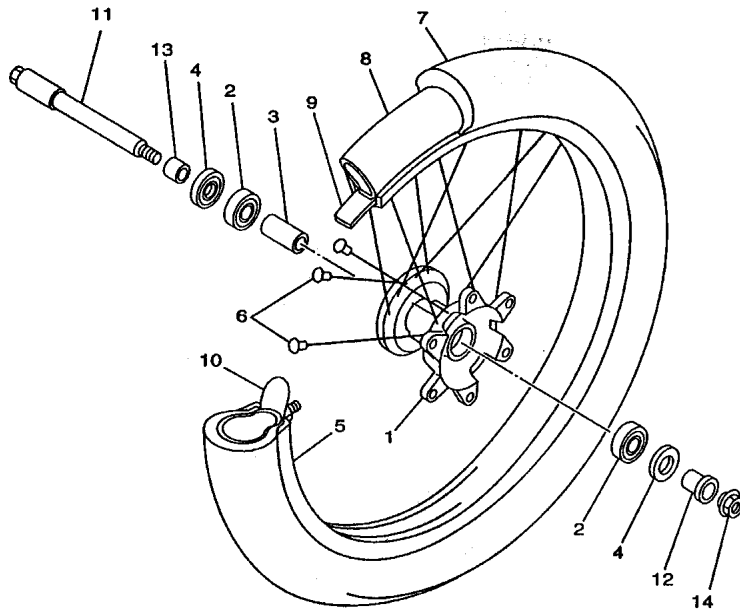
5HD1100-0230

FIG. 23 FUEL TANK

REF. NO.	PART NO.	DESCRIPTION	5HD1	5HD2	5HD3	5HD4	REMARKS
1	4SS-24110-10	FUEL TANK COMP.	1	1	1	1	
2	1UY-24610-00	CAP ASSY	1	1	1	1	
3	90445-09220	HOSE	1	1	1	1	
4	3XJ-24380-00	PIPE JOINT ASSY	1	1	1	1	
5	90445-09104	HOSE	1	1	1	1	
6	24X-24144-00	HOLDER, DAMPER	2	2	2	2	
7	90480-18549	GROMMET	2	2	2	2	
8	95027-06016	BOLT, FLANGE	4	4	4	4	
9	90119-06214	BOLT, WITH WASHER	2	2	2	2	
10	3JD-24186-00	WASHER, SPECIAL	2	2	2	2	
11	98907-06020	SCREW, BIND	1	1	1	1	
12	3SP-24173-00	BAND, TANK FITTING 1	1	1	1	1	
13	4EW-2412F-00	BRACKET, SEAT	1	1	1	1	
14	98707-06025	SCREW, FLAT HEAD	1	1	1	1	
15	4SS-24181-00	DAMPER, LOCATING 1	1	1	1	1	
16	3JD-24500-01	FUEL COCK ASSY 1	1	1	1	1	
17	4X8-24512-00	.O-RING	1	1	1	1	
18	3AJ-24534-00	.SEAL, COCK	1	1	1	1	
19	97801-03008	.SCREW, PAN HEAD	2	2	2	2	
20	90445-114J7	HOSE	1	1	1	1	
21	90467-10008	CLIP	2	2	2	2	
22	90202-05193	WASHER, PLATE	2	2	2	2	
23	90149-06011	SCREW	2	2	2	2	
24	4SS-24182-00	DAMPER, LOCATING 2	1	1	1	1	
25	90465-13275	CLAMP	1	1	1	1	
26	3V6-22358-00	SEAL 1	2	2	2	2	
27	5HD-24240-00	GRAPHIC SET	1	1	1	1	

D5

FIG. 25 FRONT WHEEL



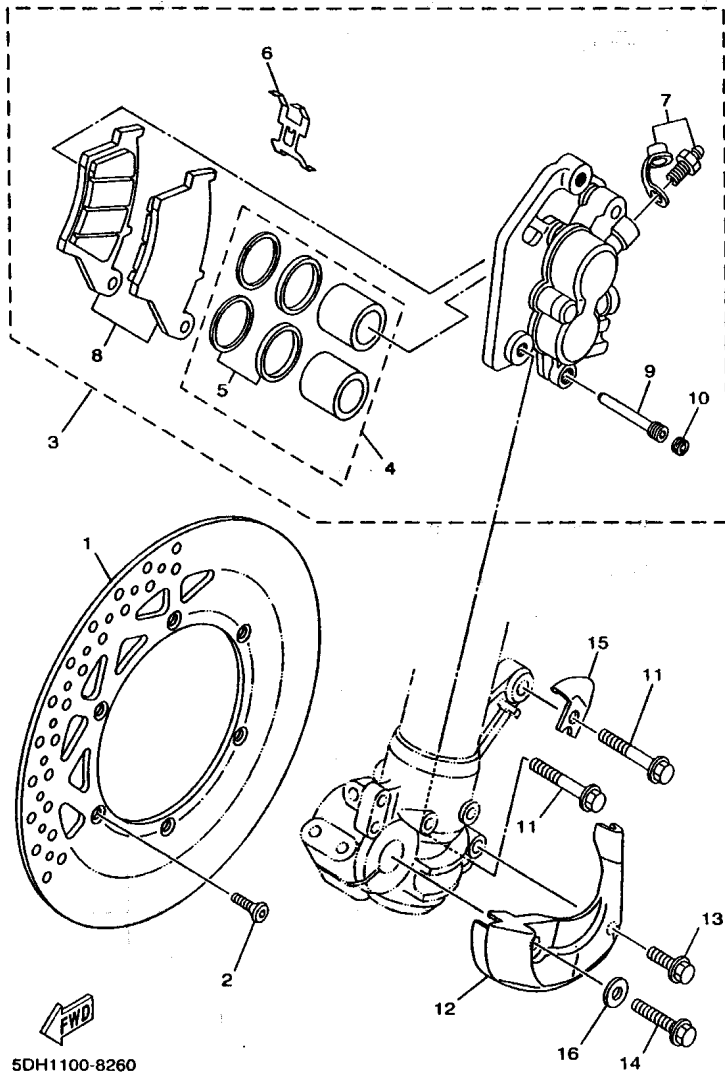
REF. NO.	PART NO.	DESCRIPTION	5HD1	5HD2	5HD3	5HD4	REMARKS
1	4SS-25111-00	HUB, FRONT	1	1	1	1	
2	93306-90403	BEARING	2	2	2	2	
3	5DH-25117-00	SPACER, BEARING	1	1	1	1	
4	93102-26468	OIL SEAL	2	2	2	2	
5	94416-21613	RIM (1.60-21)	1	1	1	1	
6	4DA-25104-00	SPOKE SET, FRONT	1	1	1	1	
7	94108-21011	TIRE	1			1	UR DUNLOP
	94108-2112Y	TIRE (80/100-21 51M D755F)	1	1			UR DUNLOP FOR CANADA
	94108-2110Y	TIRE (80/100-21 51M M77)			1		BRIDGESTONE
8	94227-21101	TUBE (80/100-21 TR4 BTL)	1	1		1	DUNLOP
	94209-21229	TUBE (80/100C-21 TR4)			1		BRIDGESTONE
9	94309-21161	BAND, RIM (70-80/100-21)	1	1		1	DUNLOP
	94330-21084	BAND, RIM (3.00-21)			1		BRIDGESTONE
10	2J5-25394-01	SPACER, BEAD	1	1	1	1	
11	5BE-25181-00	AXLE, WHEEL	1	1	1	1	
12	5DH-25183-00	COLLAR, WHEEL	1	1	1	1	
13	5BE-25186-00	COLLAR, WHEEL	1	1	1	1	
14	90179-16672	NUT	1	1	1	1	



5ET1100-9250

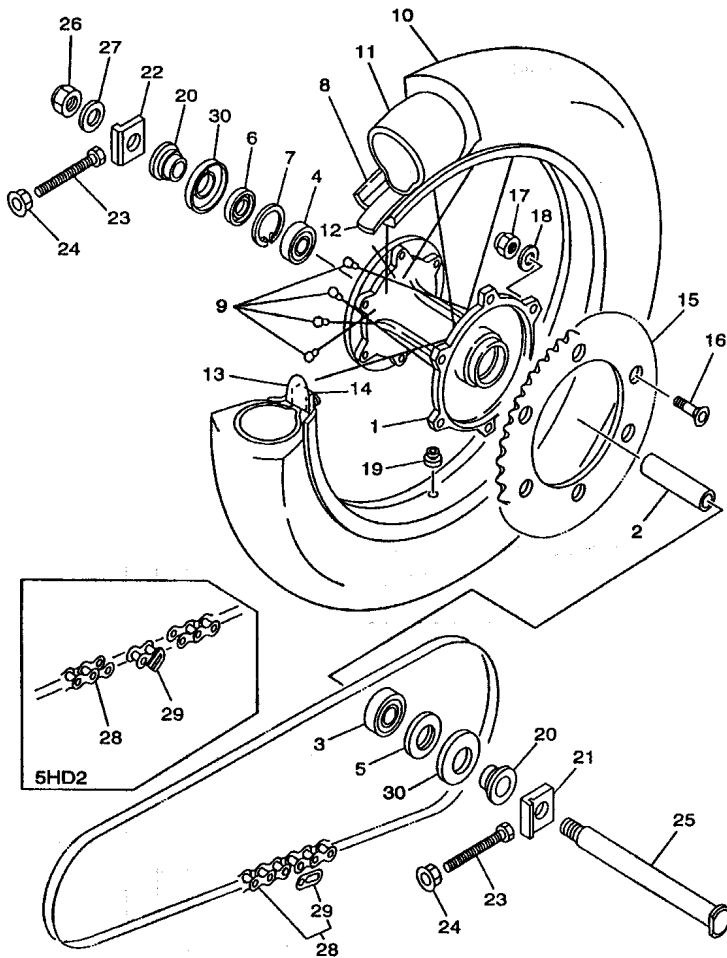
D7

FIG. 26 FRONT BRAKE CALIPER



REF. NO.	PART NO.	DESCRIPTION	5HD1	5HD2	5HD3	5HD4	REMARKS
1	4XM-2582T-00	DISC, BRAKE	1	1	1	1	
2	90149-06327	SCREW	6	6	6	6	
3	5DH-2580T-00	CALIPER ASSY (LEFT)	1		1	1	
	5DH-2580T-10	CALIPER ASSY (LEFT)		1			
4	4EW-W0057-00	.PISTON ASSY, CALIPER	1	1	1	1	
5	3JD-W0047-00	.CALIPER SEAL KIT	1	1	1	1	
6	5DH-25919-00	.SUPPORT, PAD	1	1	1	1	
7	1UY-W0048-50	.BLEED SCREW KIT	1	1	1	1	
8	5DH-W0045-00	.BRAKE PAD KIT	1		1	1	
	5DH-W0045-10	.BRAKE PAD KIT		1			
9	5DH-25933-00	.PIN, PAD	1	1	1	1	
10	5DH-25916-00	.PLUG	1	1	1	1	
11	90105-08659	BOLT, WASHER BASED	2	2	2	2	
12	5DH-2314E-00	COVER, HOSE	1	1	1	1	
13	95827-06012	BOLT, FLANGE	1	1	1	1	
14	95027-08020	BOLT, FLANGE	1	1	1	1	
15	5DH-25875-00	HOLDER, BRAKE HOSE 1	1	1	1	1	
16	92907-08200	WASHER	1	1	1	1	

FIG. 27 REAR WHEEL

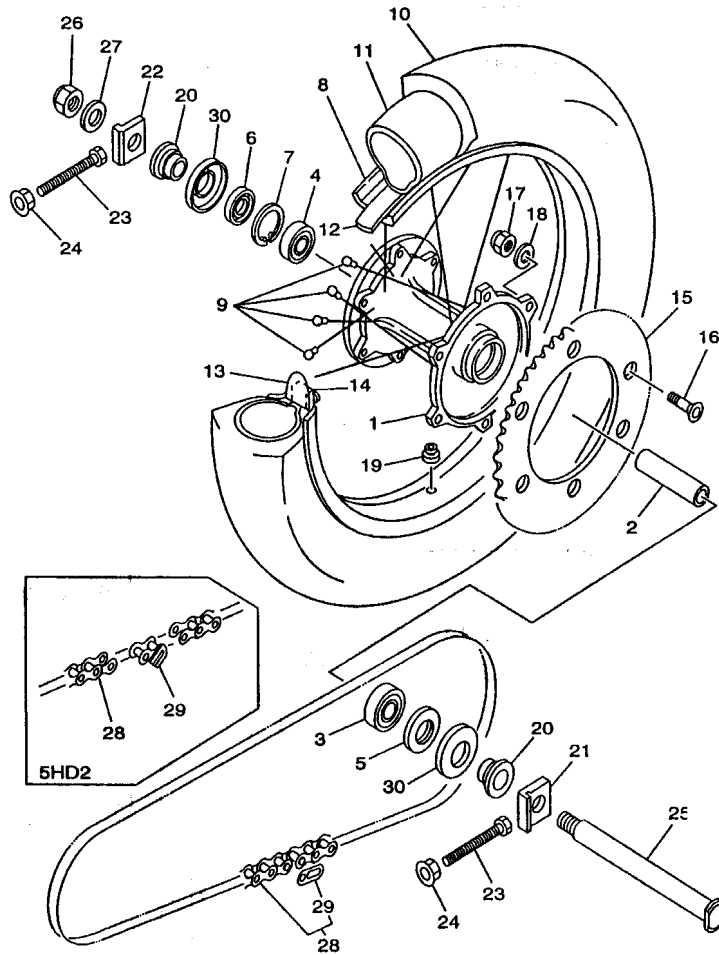


5HD1100-0270

REF. NO.	PART NO.	DESCRIPTION	5HD1	5HD2	5HD3	5HD4	REMARKS
1	5ET-25311-00	HUB, REAR	1	1	1	1	
2	5ET-25317-00	SPACER, BEARING	1	1	1	1	
3	93306-27205	BEARING	1	1	1	1	
4	93306-07202	BEARING	1	1	1	1	
5	93106-30044	OIL SEAL	1	1	1	1	
6	93106-30045	OIL SEAL	1	1	1	1	
7	99009-45500	CIRCLIP	1	1	1	1	
8	94418-19601	RIM (1.85-19)	1	1	1	1	
9	5HD-25304-00	SPOKE SET, REAR	1	1	1	1	
10	94110-1916A	TIRE (100/90-19 D739)	1			1	UR DUNLOP
	94110-1913B	TIRE (100/90-19 D755)	1	1			UR DUNLOP FOR CANADA
	94110-1911A	TIRE (100/90-19 57M M78A)			1		BRIDGESTONE
11	94210-19224	TUBE(100/90-19 TR4 BTL)	1	1		1	DUNLOP
	94210-19222	TUBE(3.25-19)			1		BRIDGESTONE
12	94321-19135	BAND, RIM (90-100/90-19)	1	1		1	DUNLOP
	94316-19156	BAND, RIM (1.85-19)				1	BRIDGESTONE
13	4XM-25394-00	SPACER, BEAD	1	1	1	1	
14	4XM-25364-00	DAMPER	1	1	1	1	
15	5ET-25448-00	SPROCKET, DRIVEN (48T)	1	1	1	1	STD
	5ET-25447-00	SPROCKET, DRIVEN (47T)	1	1	1	1	AP
	5ET-25449-00	SPROCKET, DRIVEN (49T)	1	1	1	1	AP
	5ET-25450-00	SPROCKET, DRIVEN (50T)	1	1	1	1	AP
	5ET-25451-00	SPROCKET, DRIVEN (51T)	1	1	1	1	AP
	5ET-25452-00	SPROCKET, DRIVEN (52T)	1	1	1	1	AP
16	90109-081G1	BOLT	6	6	6	6	
17	90185-08169	NUT, SELF-LOCKING	6	6	6	6	
18	90201-08326	WASHER, PLATE	6	6	6	6	

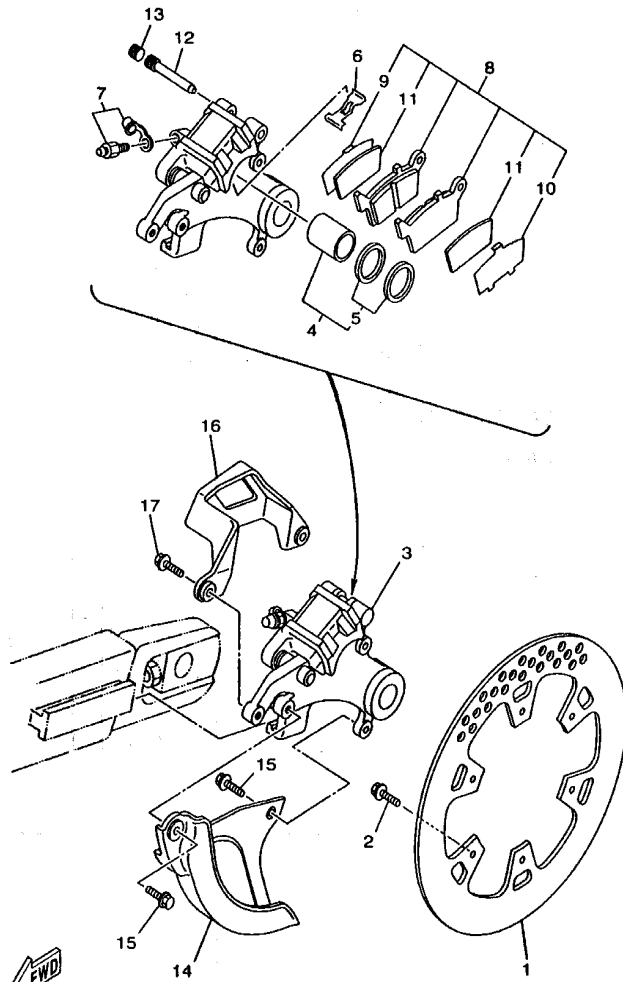
D9

FIG. 27 REAR WHEEL



5HD1100-0270

REF. NO.	PART NO.	DESCRIPTION	5HD1	5HD2	5HD3	5HD4	REMARKS
19	90480-08608	GROMMET	1	1	1	1	
20	5ET-25383-00	COLLAR, WHEEL	2	2	2	2	
21	5ET-25388-00	PULLER, CHAIN 1	1	1	1	1	
22	5ET-25389-00	PULLER, CHAIN 2	1	1	1	1	
23	90101-08777	BOLT	2	2	2	2	
24	90179-08299	NUT	2	2	2	2	
25	5ET-25381-00	AXLE, WHEEL	1	1	1	1	
26	90185-20168	NUT, SELF-LOCKING	1	1	1	1	
27	90201-203U1	WASHER, PLATE	1	1	1	1	
28	94581-68112	CHAIN (D.I.D.520DM 112LL)	1		1	1	
	94561-60111	CHAIN (REGINA 135RX1-A 111L)			1		
29	94681-68001	JOINT, CHAIN	1		1	1	
	94661-55001	JOINT, CHAIN			1		
30	5ET-25367-00	COVER, HUB DUST	2	2	2	2	

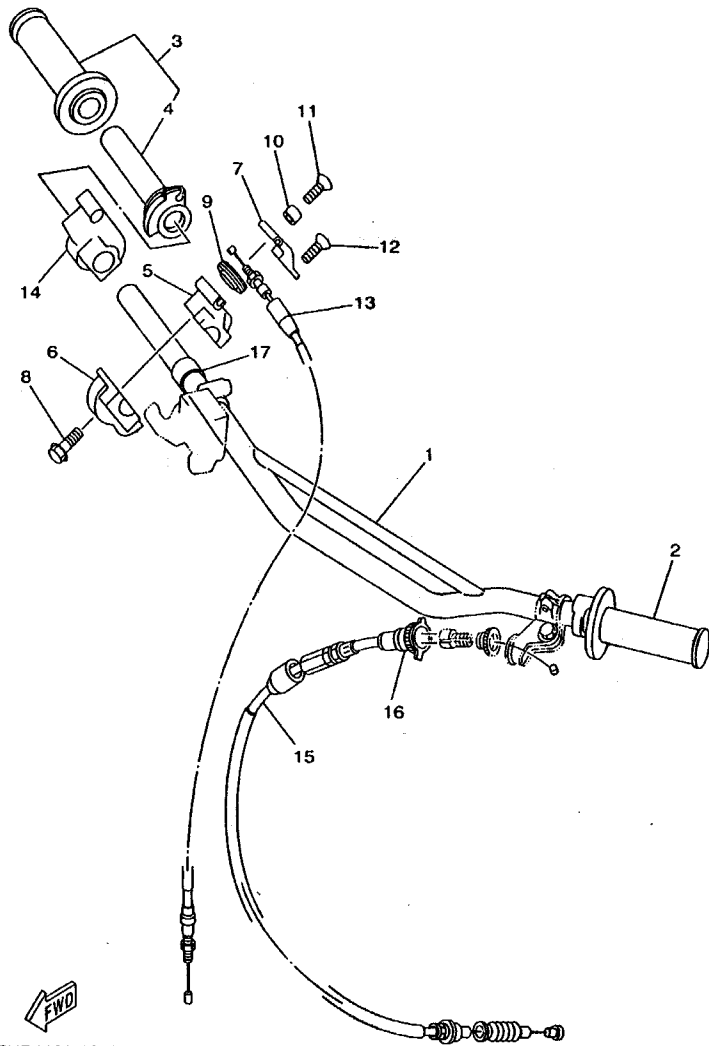


5ET1100-9280

FIG. 28 REAR BRAKE CALIPER

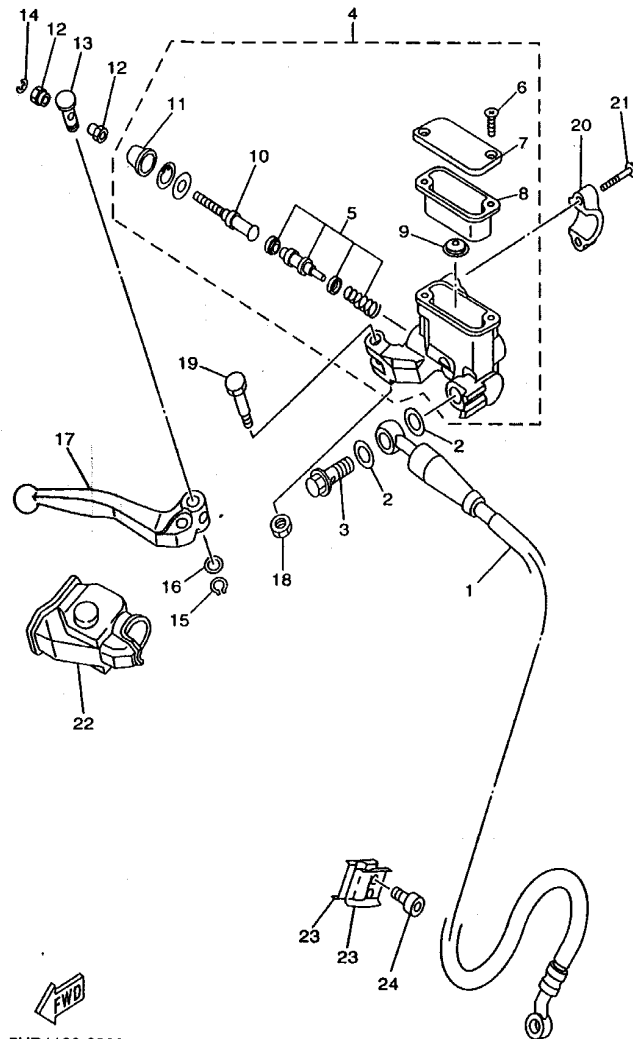
REF. NO.	PART NO.	DESCRIPTION	SHD1	SHD2	SHD3	SHD4	REMARKS
1	5DH-2582W-00	DISC, REAR BRAKE 2	1	1	1	1	
2	90109-065G4	BOLT	6	6	6	6	
3	5ET-2580W-00	CALIPER ASSY, REAR 2	1	1	1	1	
4	5ET-W0057-50	.PISTON ASSY, CALIPER	1	1	1	1	
5	5ET-W0047-50	..CALIPER SEAL KIT	1	1	1	1	
6	5DH-25919-50	.SUPPORT, PAD	1	1	1	1	
7	1UY-W0048-50	.BLEED SCREW KIT.	1	1	1	1	
8	5ET-W0046-00	.BRAKE PAD KIT 2	1	1	1	1	
9	5DH-25828-50	..SHIM, CALIPER	1	1	1	1	
10	5DH-25827-50	..SHIM, CALIPER	1	1	1	1	
11	5DH-22898-50	..INSULATOR, HEAT	2	2	2	2	
12	8CR-25924-00	.PIN, PAD	1	1	1	1	
13	5DH-25916-00	.PLUG	1	1	1	1	
14	5DH-25718-01	PROTECTOR, DISK BRAKE	1	1	1	1	
15	95027-06012	BOLT, FLANGE	2	2	2	2	
16	4GY-27491-00	PROTECTOR	1	1	1	1	
17	95027-06016	BOLT, FLANGE	2	2	2	2	

FIG. 29 STEERING HANDLE. CABLE



5HD1100-0290

REF. NO.	PART NO.	DESCRIPTION	5HD1	5HD2	5HD3	5HD4	REMARKS
1	4XM-26111-00	HANDLEBAR	1	1	1	1	
2	4GY-26241-00	GRIP (LEFT)	1	1	1	1	
3	4XM-26240-00	GRIP ASSY	1	1	1	1	
4	4XM-26243-00	TUBE, THROTTLE GUIDE	1	1	1	1	
5	4SS-26281-00	CAP, GRIP UPPER	1	1	1	1	
6	4SS-26282-10	CAP, GRIP LOWER	1	1	1	1	
7	4SS-2628H-00	CAP, WIRE	1	1	1	1	
8	95027-06025	BOLT, FLANGE	2	2	2	2	
9	4SS-26273-00	ROTOR	1	1	1	1	
10	4SS-26259-00	COLLAR	1	1	1	1	
11	4SS-26256-00	SCREW, GRIP END	1	1	1	1	
12	4SS-2632G-00	SCREW	1	1	1	1	
13	5ET-26311-00	CABLE, THROTTLE 1	1	1	1	1	
14	4SS-26287-01	COVER, CAP GRIP	1	1	1	1	
15	5HD-26335-00	CABLE, CLUTCH	1	1	1	1	
16	5HD-26342-00	BOOT, CABLE	1	1	1	1	
17	90387-227H7	COLLAR	1	1	1	1	

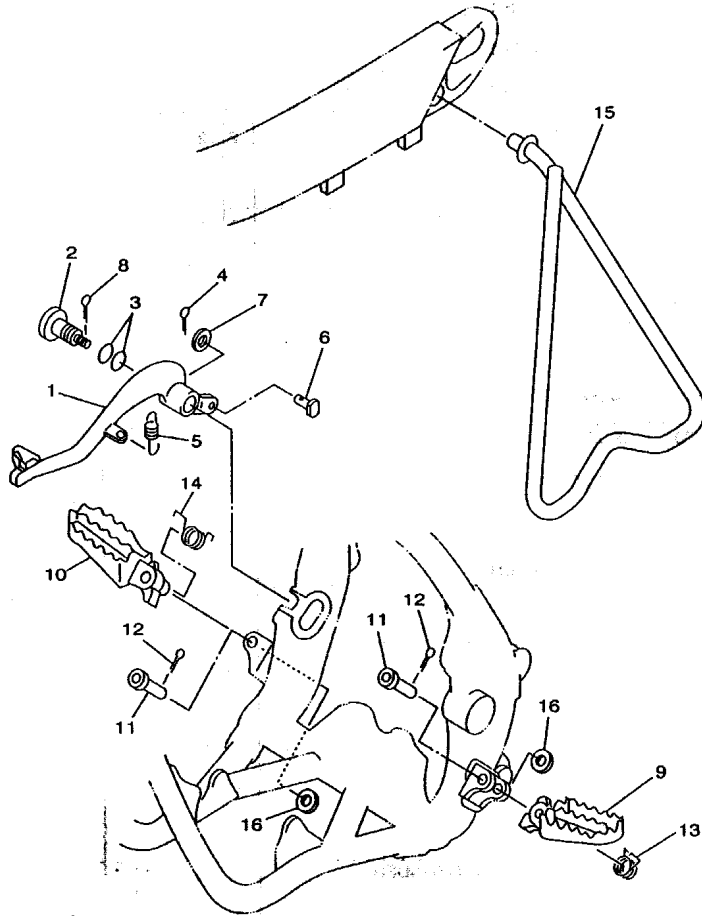


5HD1100-0300

FIG. 30 FRONT MASTER CYLINDER

REF. NO.	PART NO.	DESCRIPTION	5HD1	5HD2	5HD3	5HD4	REMARKS
1	5ET-25872-00	HOSE, BRAKE 1	1				
	5HD-25872-00	HOSE, BRAKE 1		1	1	1	
2	90201-10118	WASHER, PLATE	4	4	4	4	
3	90401-10168	BOLT, UNION	2	2	2	2	
4	4SS-W2587-01	MASTER CYLINDER SUB ASSY	1	1	1	1	
5	4SS-W0041-00	.CYLINDER KIT, MASTER	1	1	1	1	
6	98706-04012	.SCREW, FLAT HEAD	2	2	2	2	
7	4SS-25852-00	.CAP, RESERVOIR	1	1	1	1	
8	4SS-25854-00	.DIAPHRAGM, RESERVOIR	1	1	1	1	
9	4SS-25889-00	.SEPARATOR ASSY	1	1	1	1	
10	4SS-25880-00	.PUSH ROD COMP.	1	1	1	1	
11	4SS-25868-00	.BOOT, MASTER CYLINDER	1	1	1	1	
12	4SS-2538E-00	NUT, ADJUSTING	2	2	2	2	
13	4SS-83913-00	COLLAR, LEVER 1	1	1	1	1	
14	3YX-25866-10	CIRCLIP	1	1	1	1	
15	4SS-25866-00	CIRCLIP	1	1	1	1	
16	4SS-2583G-00	WASHER	1	1	1	1	
17	4SS-83922-01	LEVER 2	1	1	1	1	
18	95606-06100	NUT, U	1	1	1	1	
19	4SS-2589F-00	BOLT, LEVER	1	1	1	1	
20	3YK-25867-00	BRACKET, MASTER CYLINDER	1	1	1	1	
21	4SS-25833-00	BOLT, FITTING	2	2	2	2	
22	4SS-26372-00	COVER, HANDLE LEVER 1	1	1	1	1	
23	90465-16258	CLAMP	2	2	2	2	
24	91317-06014	BOLT	2	2	2	2	

FIG. 31 STAND, FOOTREST



4XL4100-7310

REF. NO.	PART NO.	DESCRIPTION	5HD1	5HD2	5HD3	5HD4	REMARKS
1	4XM-27200-00	PEDAL, BRAKE	1	1	1	1	
2	4SS-27217-00	BOLT	1	1	1	1	
3	93210-11073	O-RING	2	2	2	2	
4	91401-20012	PIN, COTTER	1	1	1	1	
5	90506-16500	SPRING, TENSION	1	1	1	1	
6	90240-08120	PIN, CLEVIS	1	1	1	1	
7	90201-08089	WASHER, PLATE	1	1	1	1	
8	90468-16191	CLIP	1	1	1	1	
9	5ET-27411-00	FOOTREST 1	1	1	1	1	
10	5ET-27421-00	FOOTREST 2	1	1	1	1	
11	90240-10142	PIN, CLEVIS	2	2	2	2	
12	91401-25015	PIN, COTTER	2	2	2	2	
13	90508-282B8	SPRING, TORSION	1	1	1	1	
14	90508-282B9	SPRING, TORSION	1	1	1	1	
15	5ET-27311-00	STAND, SIDE	1	1	1	1	
16	90201-10119	WASHER, PLATE	2	2	2	2	

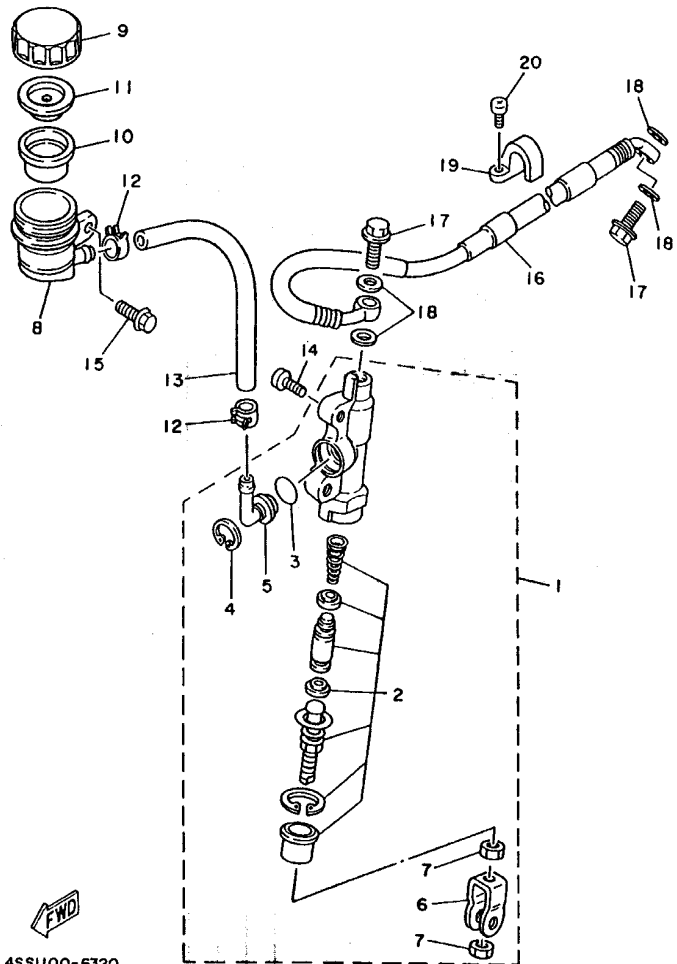


FIG. 32 REAR MASTER CYLINDER

REF. NO.	PART NO.	DESCRIPTION	SHD1	SHD2	SHD3	SHD4	REMARKS
1	3SP-2583V-00	RR. MASTER CYLINDER ASSY.	1	1	1	1	
2	4SS-W0042-50	.CYLINDER KIT, MASTER	1	1	1	1	
3	93210-15620	.O-RING	1	1	1	1	
4	2VN-25866-00	.CIRCLIP	1	1	1	1	
5	2VN-2582A-50	.JOINT	1	1	1	1	
6	3SP-27222-00	.JOINT	1	1	1	1	
7	4SS-27218-00	.NUT	2	2	2	2	
8	4EW-25894-00	TANK, RESERVOIR	1	1	1	1	
9	3XP-25852-50	CAP, RESERVOIR	1	1	1	1	
10	2VN-25854-00	DIAPHRAGM, RESERVOIR	1	1	1	1	
11	2VN-25855-00	BUSH, DIAPHRAGM	1	1	1	1	
12	90467-12053	CLIP	2	2	2	2	
13	90445-137H9	HOSE	1	1	1	1	
14	92014-06016	BOLT, BUTTON HEAD	2	2	2	2	
15	95027-06012	BOLT, FLANGE	1	1	1	1	
16	5DH-25873-00	HOSE, BRAKE 2	1	1	1	1	
17	90401-10168	BOLT, UNION	2	2	2	2	
18	90201-10118	WASHER, PLATE	4	4	4	4	
19	2VM-25876-00	HOLDER, BRAKE HOSE 2	2	2	2	2	
20	97780-50510	SCREW, TAPPING	4	4	4	4	

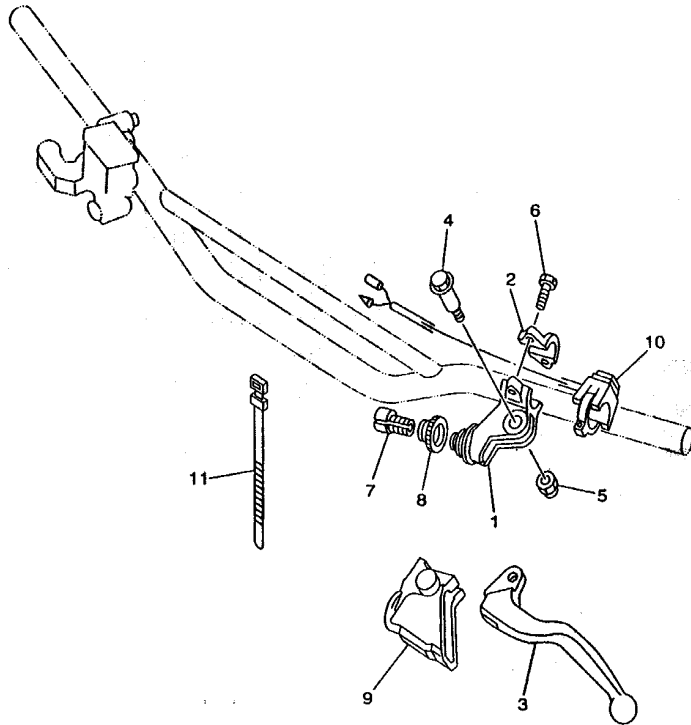
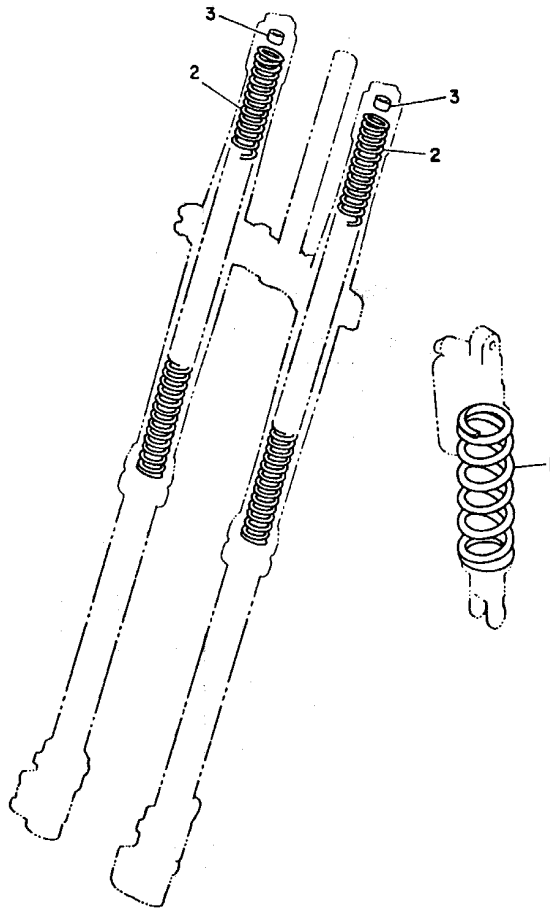


FIG. 34 HANDLE SWITCH. LEVER

REF. NO.	PART NO.	DESCRIPTION	5HD1	5HD2	5HD3	5HD4	REMARKS
1	5HD-82911-00	HOLDER, LEVER 1	1	1	1	1	
2	38V-82913-00	HOLDER, LEVER LOWER 1	1	1	1	1	
3	5HD-83912-00	LEVER 1	1	1	1	1	
4	90109-06027	BOLT	1	1	1	1	
5	95607-06100	NUT, U	1	1	1	1	
6	97007-05016	BOLT	2	2	2	2	
7	5HD-26337-00	BOLT, ADJUSTING	1	1	1	1	
8	5HD-83951-00	BOLT, CABLE ADJUSTING	1	1	1	1	
9	5HD-26372-00	COVER, HANDLE LEVER 1	1	1	1	1	
10	23X-83976-00	SWITCH, HANDLE 1	1	1	1	1	
11	90464-13077	CLAMP	2	2	2	2	



5HD1100-0340



3XJ1100-1360

FIG. 36 ALTERNATE (CHASSIS)

REF. NO.	PART NO.	DESCRIPTION	SHD1	SHD2	SHD3	SHD4	REMARKS
1	5ET-22212-20	SPRING (K=APPROX.4.6)	1	1	1	1	AP
	5ET-22212-00	SPRING (K=APPROX.4.8)	1	1	1	1	AP
	5ET-22212-10	SPRING (K=APPROX.5.0)	1	1	1	1	AP
	5ET-22212-30	SPRING (K=APPROX.5.2)	1	1	1	1	AP
	5ET-22212-40	SPRING (K=APPROX.5.4)	1	1	1	1	AP
	5DH-22212-70	SPRING (K=4.4)	1	1	1	1	AP
	5DH-22212-10	SPRING (K=4.6)	1	1	1	1	AP
	5DH-22212-20	SPRING (K=4.8)	1	1	1	1	AP
	5DH-22212-30	SPRING (K=5.0)	1	1	1	1	AP
	5DH-22212-40	SPRING (K=5.2)	1	1	1	1	AP
	5DH-22212-50	SPRING (K=5.4)	1	1	1	1	AP
	5DH-22212-60	SPRING (K=5.6)	1	1	1	1	AP
2	5ET-23141-20	SPRING (K=APPROX.0.40)	2	2	2	2	AP
	5ET-23141-00	SPRING (K=APPROX.0.41)	2	2	2	2	AP
	5ET-23141-30	SPRING (K=APPROX.0.42)	2	2	2	2	AP
	5ET-23141-10	SPRING (K=APPROX.0.43)	2	2	2	2	AP
	5ET-23141-40	SPRING (K=APPROX.0.44)	2	2	2	2	AP
	4SS-23141-10	SPRING, FRONT FORK (K=0.38)	2	2	2	2	AP
	4SS-23141-20	SPRING, FRONT FORK (K=0.39)	2	2	2	2	AP
	4SS-23141-30	SPRING, FRONT FORK (K=0.40)	2	2	2	2	AP
	4SS-23141-40	SPRING, FRONT FORK (K=0.41)	2	2	2	2	AP
	4SS-23141-50	SPRING, FRONT FORK (K=0.42)	2	2	2	2	AP
	4SS-23141-60	SPRING, FRONT FORK (K=0.43)	2	2	2	2	AP
	4SS-23141-70	SPRING, FRONT FORK (K=0.44)	2	2	2	2	AP
3	4SS-23364-L0	COLLAR 2	1	1	1	1	UN

FIG. 37 OPTIONAL PARTS 1

REF. NO.	PART NO.	DESCRIPTION	SHD1	SHD2	SHD3	SHD4	REMARKS
1	4XM-11630-20	PISTON ASSY (0.50MM O/S)	1	1	1	1	
2	4XM-11631-20-A0	.PISTON (STD)	1	1	1	1	
	4XM-11631-20-B0	.PISTON (STD)	1	1	1	1	
	4XM-11631-20-C0	.PISTON (STD)	1	1	1	1	
	4XM-11631-20-D0	.PISTON (STD)	1	1	1	1	
3	4JY-11611-00	.RING, PISTON	1	1	1	1	
4	4XM-11633-10	.PIN, PISTON	1	1	1	1	
5	93450-16068	.CIRCLIP	2	2	2	2	
6	4XM-11650-00	CONNECTING ROD ASSY	1	1	1	1	
7	4PE-11651-02	.ROD, CONNECTING	1	1	1	1	
8	3JD-11681-02	.PIN, CRANK 1	1	1	1	1	
9	90209-22248	.WASHER	2	2	2	2	
10	93310-522P7	.BEARING	1	1	1	1	
11	93310-315S4	.BEARING	1	1	1	1	
12	4XM-11633-10	PIN, PISTON	1	1		1	

NUMERICAL INDEX

PARTNO.	GRID NO.	PARTNO.	GRID NO.	PARTNO.	GRID NO.	PARTNO.	GRID NO.	PARTNO.	GRID NO.	PARTNO.	GRID NO.
4SS-W0041-00	D-13	5CU-11952-00	B-4	275-14116-M3	B-9	5HD-14610-00	B-12	4SS-18110-00	C-7	5HD-22201-40	C-13
4SS-W0042-50	D-15	24X-11953-01	B-4	275-14116-M9	B-10	4JY-14615-00	B-12	3XJ-18122-00	C-7	5HD-22210-00	C-13
5DH-W0045-00	D-8	4SS-11990-00	B-4	275-14116-N0	B-10	5HD-1469A-00	B-12	5HD-18140-00	C-6	5HD-22210-10	C-13
5DH-W0045-10	D-8	4JY-11991-01	B-3	275-14116-N1	B-10	5HD-14753-00	B-12	4JY-18172-00	C-7	5HD-22210-20	C-13
5ET-W0046-00	D-11	4JY-11993-01	B-3	275-14116-N2	B-10	5CU-14771-00	B-12	3XJ-18173-00	C-7	5HD-22210-30	C-13
3JD-W0047-00	D-8	4JY-11995-00	B-3	275-14116-N3	B-10	565-14771-00	B-12	3XJ-18178-00	C-7	5HD-22210-40	C-13
5ET-W0047-50	D-11	4SS-1240A-10	B-7	275-14116-N9	B-10	5ET-15111-00	B-13	3XJ-18182-00	C-7	5HD-22212-10	C-13
1UY-W0048-50	D-11	4JY-12422-00	B-6	4PE-14131-00	B-9	3R4-15118-00	B-13	3XJ-18184-00	C-7		E-5
	D-8	4JY-12428-00	B-6	87M-14137-00	B-11	5ET-15121-00	B-13	4EW-18185-00	C-7	5DH-22212-20	E-5
4EW-W0057-00	D-8	5DH-12451-00	B-6	4KM-14142-30	B-10	3Y1-15363-00	B-14	4SS-18511-00	C-6	5DH-22212-30	E-5
5ET-W0057-50	D-11	5DH-12459-01	B-6	4KM-14142-35	B-10	1LX-15383-00	C-4	2VN-18512-01	C-6	5DH-22212-40	E-5
4SS-W2587-01	D-13	4SS-12461-10	B-7	4KM-14142-40	B-10	4XM-15383-00	C-4	4SS-18513-00	C-6	5DH-22212-50	E-5
4JY-11111-01	B-2	5HD-12462-00	B-7	4KM-14142-45	B-10	4JY-15411-00	B-14	4EX-18531-00	C-6	5DH-22212-60	E-5
4JY-11166-00	B-2	4SS-12481-00	B-7	4KM-14142-50	B-10	4JY-15415-00	B-14	4EX-18535-00	C-6	5DH-22212-70	E-5
5HD-1131D-00	B-2	4SS-12482-00	B-7	4KM-14142-55	B-10	4EX-15421-00	B-14	5DH-18541-00	C-6	5ET-22212-00	C-13
4SS-1131M-00	B-2	4SS-12483-00	B-7	4KM-14142-60	B-10	4KM-15431-12	B-14	5DH-18562-00	C-6		E-5
5HD-1131V-00	B-2	4SS-12484-00	B-7	137-14143-68	B-11	4JY-15451-01	B-14	5HD-21110-00-P0	C-8	5ET-22212-10	E-5
5HD-11311-00	B-2	353-13115-01	B-13	137-14143-70	B-10	4JY-15462-00	B-14	5HC-21190-00-P0	C-8	5ET-22212-20	E-5
5HD-1132D-00	B-2	5ET-13565-00	B-8		B-11	4JY-15463-01	B-14	5DH-21274-00	C-8	5ET-22212-30	E-5
5DH-11351-00	B-2	4JY-13610-10	B-8	137-14143-72	B-10	4DB-15620-03	B-15	5HD-2135F-00	C-12	5ET-22212-40	E-5
4JY-11354-02	B-2	4JY-13613-10	B-8		B-11	4DB-15621-03	B-15	22F-2139X-00	E-4	3SP-22213-00	C-13
5DH-11400-00	B-5	4JY-13616-00	B-8	137-14143-74	B-11	1LX-15641-00	B-15	4SS-21425-00	C-8	5DH-22214-00	C-13
4SS-11410-10	B-5	5HD-14101-00	B-9	137-14143-76	B-10	1LX-15651-00	B-15	5HD-21511-00	C-9	5DH-22224-00	C-13
4SS-11420-00	B-5	5HD-14101-10	B-9		B-11	1LX-15660-03	B-15	5BE-21611-10	C-9	4XJ-22226-00	C-13
4JY-11611-00	B-5	5HD-14101-20	B-9	137-14143-78	B-11	3XJ-16111-00	C-2	4ES-21642-00	C-9	3SP-22234-00	C-13
	E-6	4PE-14103-00	B-9	51R-14146-00	B-11	4JY-16150-02	C-2	4SS-21711-00	C-10	4EW-22253-00	C-13
4XM-11630-20	E-6	3JD-14104-00	B-9	2K6-14147-00	B-9	3XJ-16181-00	C-2	4EW-2172A-00	C-10	5DH-22253-00	C-13
4XM-11631-20-A0	B-5	4PE-14107-38	B-9	5ET-14147-00	B-11	3XJ-16321-00	C-2	4SS-21721-00	C-10	5ET-22355-00	C-11
	E-6	5ET-14112-60	B-11	3MA-14159-00	B-9	5DH-16321-00	C-2	5HD-2173E-00	C-10	3V6-22358-00	D-5
4XM-11631-20-B0	B-5	5ET-14112-65	B-11	5ET-1416A-00	B-11	3XJ-16324-00	C-2	5HD-2173F-00	C-10	4EW-22474-00	C-13
	E-6	5ET-14112-70	B-11	3JE-14171-00	B-9	3JD-16340-00	C-2	5ET-21730-10	C-10	3JE-22475-00	C-13
4XM-11631-20-C0	B-5	5ET-14115-00	B-9	5ET-14185-00	B-9	5HD-16351-00	C-2	5ET-21740-10	C-10	5DH-22898-50	D-11
	E-6	275-14116-J0	B-10	353-14186-00	B-9	35B-16356-00	C-2	3JD-21748-00	C-9	5HD-23102-00	D-2
4XM-11631-20-D0	B-5	275-14116-J1	B-10	4PE-14194-00	B-9	4EX-16371-00	C-2	5ET-21781-00	C-9	5HD-23102-10	D-2
	E-6		B-9	2AL-14196-00	B-9	4EX-16382-00	C-2	5CU-22110-00	C-11	5HD-23103-00	D-2
4XM-11633-10	B-5	275-14116-J2	B-10	2HH-14197-00	B-9	4XM-17121-00	C-4	4XM-22128-00	C-11	5HD-23103-10	D-2
	E-6	275-14116-J3	B-10	5ET-14197-00	B-11	4EX-17131-01	C-4	5DH-22141-00	C-11	5BF-23110-L0	D-2
4XM-11650-00	E-6	275-14116-J9	B-10	5ET-14261-00	B-9	4EX-17151-00	C-4	4EW-22151-20	C-11	5HD-23111-L0	D-2
4PE-11651-02	B-5	275-14116-L0	B-10	5HD-14261-00	B-9	4XM-17161-00	C-4	5ET-22156-00	C-11		D-3
	E-6	275-14116-L1	B-10	4SS-14401-10	B-8	4XM-17211-00	C-4	5ET-2217A-00	C-11	5DH-23118-L0	D-2
3JD-11681-02	B-5		B-9	4SS-14417-00	B-8	4XM-17221-00	C-4	5DH-2217F-01	C-12		D-3
	E-6	275-14116-L2	B-10	4XM-14451-00	B-8	35R-17231-00	C-4	3JD-22178-10	C-8	3JD-2312G-L0	D-2
4SS-11832-00	B-2	275-14116-L3	B-10	5HD-14453-00	B-8	4EX-17241-00	C-4	4EW-22178-00	C-8		D-3
5CU-11911-00	B-4	275-14116-L9	B-9	3JD-14458-01	B-8	5HD-17251-00	C-4	4XM-22199-00	C-11	5DH-23120-L0	D-2
5CU-11912-00	B-4	275-14116-M0	B-10	3JD-14459-01	B-8	5HD-17261-00	C-4	5HD-22201-00	C-13	5ET-23125-L0	D-2
4JY-11915-01	B-4	275-14116-M1	B-10	3JD-14462-00	B-8	4XM-17411-00	C-4	5HD-22201-10	C-13		D-3
5X4-11921-02	B-4		B-9	3JD-14477-00	B-8	5HD-17421-00	C-4	5HD-22201-20	C-13	5HD-23136-L0	D-2
3JE-11922-01	B-4	275-14116-M2	B-9	1FN-14565-00	B-9	4SS-18101-00	C-7	5HD-22201-30	C-13	5DH-2314E-00	D-8

NUMERICAL INDEX

PARTNO.	GRID NO.	PARTNO.	GRID NO.	PARTNO.	GRID NO.	PARTNO.	GRID NO.	PARTNO.	GRID NO.	PARTNO.	GRID NO.
5DH-2314F-L0	D-3	4SS-23346-L0	D-3	5ET-25449-00	D-9	4SS-2628H-00	D-12	90109-065G4	D-11	90201-06060	B-12
4SS-2314G-L0	D-3	3SP-23356-L0	D-3	5ET-25450-00	D-9	4SS-2628I-00	D-12	90109-081G1	D-9		B-15
5DH-2314H-00	D-3	4SS-23364-L0	E-5	5ET-25451-00	D-9	4SS-2628J-10	D-12	90109-142F4	C-12	90201-06071	B-12
5DH-2314J-00	D-3	4DA-23389-00	D-4	5ET-25452-00	D-9	4SS-26287-01	D-12	90109-147F2	C-12		C-9
4SS-2314I-10	E-5	5HD-2339E-00	C-15	5DH-25718-01	D-11	5ET-26311-00	D-12	90110-05201	C-11	90201-06557	C-9
4SS-2314I-20	E-5	5HD-23393-L0	D-2	5DH-2580T-00	D-8	4SS-2632G-00	D-12	90110-08096	C-8	90201-08087	B-2
4SS-2314I-30	E-5		D-3	5DH-2580T-10	D-8	5HD-26335-00	D-12	90116-08318	B-2	90201-08089	D-14
4SS-2314I-40	E-5	4EW-23416-00	C-15	5ET-2580W-00	D-11	5HD-26337-00	E-3	90116-08388	B-2	90201-083P5	B-6
4SS-2314I-50	E-5	5HC-23435-00	C-15	2VN-2582A-50	D-15	5HD-26342-00	D-12	90116-08394	B-2	90201-08326	D-9
4SS-2314I-60	E-5	5HC-23435-10	C-15	4XM-2582T-00	D-8	4SS-26372-00	D-13	90119-05071	D-4	90201-086P8	C-8
4SS-2314I-70	E-5	3SP-23441-00	C-15	5DH-2582W-00	D-11	5HD-26372-00	E-3	90119-06096	C-9	90201-08730	C-8
4XM-2314I-L0	D-2	5HD-23485-10	C-15	5DH-25827-50	D-11	4XM-27200-00	D-14	90119-06192	B-12	90201-08784	B-6
	D-3	4SS-24110-10	D-5	5DH-25828-50	D-11	4SS-27217-00	D-14		C-9	90201-10118	D-13
5ET-2314I-L0	D-2	4EW-2412F-00	D-5	4SS-2583G-00	D-13	4SS-27218-00	D-15	90119-06203	B-8		D-15
	D-3	24X-24144-00	D-5	3SP-27222-00	D-15	3SP-27222-00	D-15	90119-06214	B-7	90201-10119	C-2
5ET-2314I-00	E-5	3SP-24173-00	D-5	4SS-25833-00	D-13	5ET-27311-00	D-14		D-5		D-14
5ET-2314I-10	E-5	4SS-24181-00	D-5	3XP-25852-50	D-15	5ET-27411-00	D-14	90119-06225	C-15	90201-10591	E-2
5ET-2314I-20	E-5	4SS-24182-00	D-5	4SS-25852-00	D-13	5ET-27421-00	D-14	90122-06035	B-8	90201-112U6	C-14
5ET-2314I-30	E-5	3JD-24186-00	D-5	2VN-25854-00	D-15	4GY-27491-00	D-11	90149-06011	D-5	90201-14740	C-12
5ET-2314I-40	E-5	5HD-24240-00	D-5	4SS-25854-00	D-13	5ET-28166-00	C-8		E-2	90201-150U6	B-4
5DH-23142-L0	D-2	3XJ-24380-00	D-5	2VN-25855-00	D-15	4SS-82310-00	E-4	90149-06327	D-8	90201-152H7	B-15
	D-3	3JD-24500-01	D-5	2VN-25866-00	D-15	4PE-82370-10	E-4	90151-04048	C-11	90201-15700	C-4
5HD-23144-L0	D-2	4X8-24512-00	D-5	3YX-25866-10	D-13	5HD-82509-00	E-4	90151-06037	C-4	90201-164H4	C-11
	D-3	3AJ-24534-00	D-5	4SS-25866-00	D-13	5HD-82911-00	E-3		C-5		C-12
5ET-23145-L0	D-2	1UY-24610-00	D-5	3YK-25867-00	D-13	38V-82913-00	E-3	90152-06010	B-15	90201-171G4	B-15
	D-3	4SS-24728-00	D-6	4SS-25868-00	D-13	5HD-83912-00	E-3	90159-06016	C-2	90201-203U1	D-10
4SS-23146-L0	D-2	5DH-24731-00	D-6	5ET-25872-00	D-13	4SS-83913-00	D-13	90159-06078	C-10	90201-20611	C-2
	D-3	5DH-24770-00	D-6	5HD-25872-00	D-13	4SS-83922-01	D-13		C-6		C-4
5DH-23149-L0	D-2	4DA-25104-00	D-7	5DH-25873-00	D-15	5HD-83951-00	E-3	90159-06182	C-10	90201-22555	C-4
	D-3	4SS-25111-00	D-7	5DH-25875-00	D-8	23X-83976-00	E-3	90170-16326	C-2	90201-247L2	C-15
4SS-23153-L0	D-2	5DH-25117-00	D-7	2VM-25876-00	D-15	5HD-85540-00	E-4	90170-24373	C-15	90201-286K9	C-15
	D-3	5BE-25181-00	D-7	4SS-25880-00	D-13	5HD-85540-10	E-4	90176-08026	B-2	90202-05193	D-5
4SS-23158-L0	D-2	5DH-25183-00	D-7	4SS-25889-00	D-13	4SS-85546-01	E-4	90179-06568	C-11	90209-06096	B-8
	D-3	5BE-25186-00	D-7	4SS-2589F-00	D-13	4SS-85550-00	E-2	90179-08299	B-2	90209-18135	C-4
5ET-2316A-L0	D-2	5HD-25304-00	D-9	4EW-25894-00	D-15	4SS-85560-00	E-2		D-10	90209-20008	C-4
	D-3	5ET-25311-00	D-9	5DH-25916-00	D-11	90101-06664	C-7	90179-16226	C-5	90209-22071	B-5
5HD-2316A-M0	D-2	5ET-25317-00	D-9		D-8	90101-08777	D-10	90179-16672	D-7	90209-22248	E-6
	D-3	4XM-25364-00	D-9	5DH-25919-00	D-8	90105-06553	C-6	90179-28650	C-15	90215-16289	C-2
5HD-23170-L0	D-2	5ET-25367-00	D-10	5DH-25919-50	D-11	90105-06556	B-13	90183-06023	B-8	90215-20261	C-5
	D-3	4SS-2538E-00	D-13	8CR-25924-00	D-11	90105-08099	C-8		C-9	90240-08120	D-14
5ET-23171-L0	D-2	5ET-25381-00	D-10	5DH-25933-00	D-8	90105-08494	C-8	90183-06069	C-10	90240-10142	D-14
	D-3	5ET-25383-00	D-10	4XM-26111-00	D-12	90105-08659	D-8	90185-08169	C-8	90267-32070	B-8
5DH-23183-00	C-13	5ET-25388-00	D-10	4XM-26240-00	D-12	90105-10323	C-13		D-9	90280-03045	B-5
509-23184-L0	C-13	5ET-25389-00	D-10	4GY-26241-00	D-12	90105-10445	C-2	90185-14112	C-12	90338-16148	C-11
5DH-23195-L0	D-2	2J5-25394-01	D-7	4XM-26243-00	D-12	90105-105A2	C-14	90185-16127	C-11		C-8
	D-3	4XM-25394-00	D-9	4SS-26256-00	D-12	90105-10733	C-8	90185-20168	D-10	90338-21145	C-8
4EW-2331E-L1	D-4	5ET-25447-00	D-9	4SS-26259-00	D-12	90109-06027	E-3	90201-03313	B-8	90338-30256	C-8
5DH-23340-L0	D-3	5ET-25448-00	D-9	4SS-26273-00	D-12	90109-06418	C-2	90201-057H5	B-4	90340-12059	B-13

NUMERICAL INDEX

PARTNO.	GRID NO.	PARTNO.	GRID NO.	PARTNO.	GRID NO.	PARTNO.	GRID NO.	PARTNO.	GRID NO.	PARTNO.	GRID NO.
90387-06009	C - 10	90467-13062	B - 2	93104-08040	B - 4	93507-16020	B - 4	95027-06030	C - 9		
	C - 9	90467-21068	B - 7	93106-22019	C - 11	93507-32009	B - 15	95027-06040	B - 14		
90387-0614M	B - 7	90468-16191	D - 14	93106-30044	D - 9	93603-14240	B - 4	95027-06045	B - 12		
90387-062W7	B - 12	90468-26048	B - 15	93106-30045	D - 9	93604-10011	B - 14	95027-06050	C - 11		
90387-063F7	C - 6	90480-08608	D - 10	93109-11073	B - 6			95027-06065	B - 6		
90387-063G3	B - 12	90480-15528	B - 7	93109-12012	C - 7	93612-16254	B - 13	95027-08020	D - 8		
90387-0701A	C - 9	90480-16561	B - 12	93109-20076	C - 11	9383A-12017	C - 5	95027-08035	C - 15		
90387-085E1	B - 4	90480-18549	D - 5			9383A-13031	C - 5	95027-08040	C - 15		
90387-086N4	C - 8	90501-052G5	C - 7	93109-28043	C - 11	9383A-14054	C - 5				
90387-08785	B - 2	90501-12081	B - 15	93210-11073	D - 14	94108-21011	D - 7	95027-08065	C - 8		
90387-107T9	B - 4	90501-23598	C - 2	93210-15171	B - 15	94108-2110Y	D - 7	95317-10600	E - 2		
90387-152F2	B - 4	90501-30001	B - 4	93210-15620	D - 15	94108-2112Y	D - 7	95606-06100	D - 13		
90387-164N2	C - 11	90506-16500	D - 14	93210-16314	B - 13	94110-1911A	D - 9	95607-05100	B - 8		
90387-164N3	C - 11	90507-20052	B - 12	93210-19123	B - 14	94110-1913B	D - 9	95607-06100	E - 3		
90387-167Y9	C - 11	90508-141B4	C - 2	93210-45742	B - 12	94110-1916A	D - 9	95607-10200	C - 13		
90387-1712Y	B - 13	90508-16134	B - 2	93210-63442	B - 2	94209-21229	D - 7				
90387-1714R	C - 11	90508-261B7	C - 6	93210-90785	B - 2	94210-19222	D - 9	95707-08500	C - 8		
90387-1714S	C - 11	90508-26450	B - 15	93300-60801	B - 4	94210-19224	D - 9	95817-08050	C - 8		
90387-202A0	C - 5	90508-282B8	D - 14	93300-60804	C - 8	94227-21101	D - 7	95817-10090	C - 8		
90387-202T9	C - 2	90508-282B9	D - 14	93306-00105	B - 6	94309-21161	D - 7	95827-06012	D - 8		
90387-227H7	D - 12	90508-295A7	C - 7	93306-07202	D - 9	94316-19156	D - 9	95827-06016	C - 10		
90401-10168	D - 13	90560-12280	C - 7	93306-20431	C - 4	94321-19135	D - 9	97007-05012	B - 4		
	D - 15	90560-17279	B - 15	93306-27205	D - 9	94330-21084	D - 7	97007-05016	B - 3		
90430-06014	B - 14	91A20-05065	B - 7	93306-30411	C - 4	94416-21613	D - 7				
	B - 6	91317-04006	B - 4	93306-37204	B - 5	94418-19601	D - 9	97007-06012	D - 6		
	C - 2	91317-04008	B - 2	93306-90403	D - 7	94561-60111	D - 10	97027-06012	B - 15		
90430-12227	B - 13	91317-05012	B - 2	93306-90504	C - 6	94581-68112	D - 10	97707-60016	C - 9		
90445-08605	B - 13	91317-06014	D - 13	93310-225N0	C - 2	94661-55001	D - 10	97780-50510	D - 15		
90445-09104	D - 5	91317-06045	B - 13	93310-315S4	B - 5	94681-68001	D - 10	97801-03008	D - 5		
90445-09220	D - 5	91317-06055	B - 13			94702-00324	B - 2	98502-05014	B - 11		
90445-114J7	D - 5	91317-06070	B - 13	93310-522P7	B - 5	95021-08040	D - 3	98507-03006	B - 8		
90445-137H9	D - 15	91401-20012	D - 14			95027-06010	B - 14	98507-04008	B - 9		
90450-22017	B - 7	91401-25015	D - 14	93311-31515	C - 5			98507-04014	B - 9		
90450-25037	B - 7	92014-06016	D - 15	93311-41530	C - 4			98507-05012	B - 4		
90450-28014	B - 7	92017-06010	B - 12	93315-11206	C - 3	95027-06012	B - 12	98507-06016	B - 14		
90450-51070	B - 8	92907-03100	B - 8	93315-32056	C - 11			98507-06030	B - 14		
90450-70072	B - 8	92907-05600	B - 3					98706-04012	D - 13		
90460-15126	E - 4	92907-06100	D - 6	93317-22262	C - 11	95027-06016	D - 11	98707-06025	D - 5		
90461-10136	B - 13	92907-06600	B - 14	93332-00068	C - 15			98907-05016	B - 2		
90464-13073	E - 4	92907-08200	D - 8	93332-00081	C - 15			98907-08020	D - 5		
90464-13077	E - 3	93102-12106	B - 6	93340-21008	C - 2	95027-06020	B - 8	99001-06600	B - 6		
90464-50255	E - 4	93102-12224	C - 2	93340-21505	B - 4			99009-10400	C - 2		
90465-13275	D - 5	93102-17263	B - 15	93342-22217	C - 11			99009-45500	D - 9		
	E - 4	93102-22363	B - 5	93410-22039	C - 4	95027-06025	B - 12	99241-00080	C - 9		
90465-16258	D - 13	93102-26042	C - 4	93440-15012	B - 15			99244-00200	C - 12		
90467-09006	B - 7	93102-26468	D - 7					99530-10114	B - 14		
90467-10008	D - 5	93103-32183	B - 5	93450-16068	B - 5	95027-06030	B - 14				
90467-12053	D - 15	93104-08040	B - 2					99590-17016	B - 13		