

PARTS CATALOGUE

YZ125N (5MV1) CANADA, U.S.A., S.AFRICA

YZ125 (5MV2) EUROPE

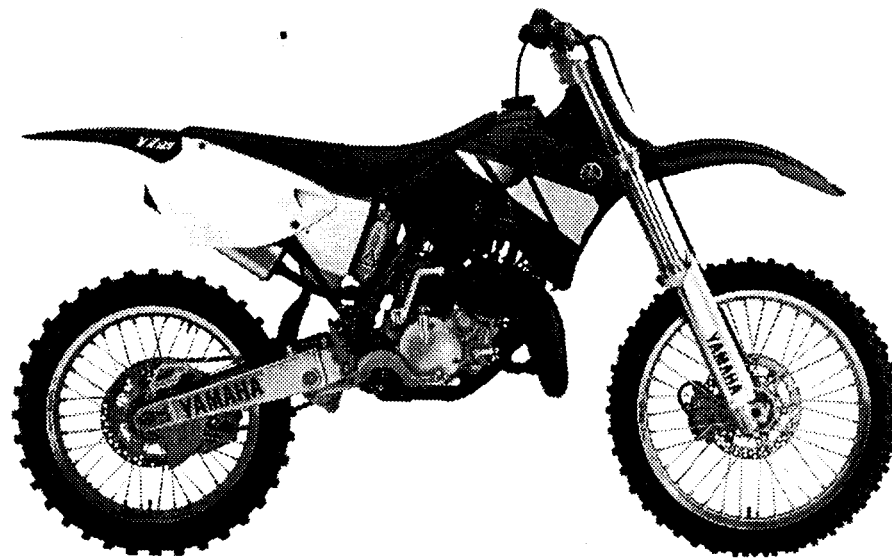
YZ125 (5MV3) JAPAN

YZ125N (5MV4) OCEANIA

YAMAHA
GENUINE
Parts & Accessories

115MV-100E1

A2



A3

FOREWORD

This Parts Catalogue is related to the parts for the model(s) in the below frame. When you are ordering replacement parts, please refer to this Parts Catalogue and quote both part numbers and part names correctly.

YZ125N(5MV1/5MV4), YZ125(5MV2/5MV3)

1. Modifications or additions which have been made after issue of the Parts Catalogue will be announced in the Yamaha Parts News. It is advisable that you make necessary corrections to the Parts Catalogue according to the Yamaha Parts News.

2. Abbreviations

The Following abbreviations are used in this Parts Catalogue.

"UR" Use specified parts number.

"UN" Use as many as needed.

"AP" Alternate Parts

"LM" Local Made (Parts need to be ordered locally)

"F#" Frame No. (Applicable machine No.)

3. Parts, which are to be supplied in an assembly, are listed with a dot(.) in front of the part name as shown below.

EXAMPLE

CARBURETOR ASSY

.JET, PILOT

.NOZZLE, MAIN

4. Number of component for assembly

The numeral appearing to the right of each component part indicates the quantity of parts for each assembly unit.

EXAMPLE

PART NO.	DESCRIPTION	Q'TY	REMARKS
2F5-83310-60	FRONT FLASHER LIGHT ASSY	2	
115-83311-60	.BULB (6V-18W)	1	
1M1-83309-60	.REFLECTOR	1	

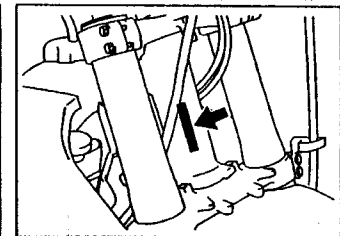
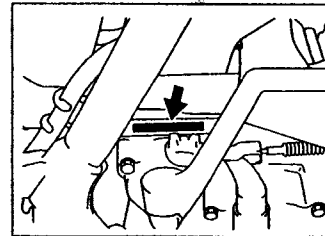
5. Applicable colors of graphics are represented in the "REMARKS" as shown below.

PART NO.	DESCRIPTION	Q'TY	REMARKS
2N4-24110-00-X5	.FUEL TANK COMP.	2	MXR
3J1-24240-10	.GRAPHIC, FUEL TANK	1	for MXR

6. Applicable Serial No.

Engine Serial No.

Frame Serial No.



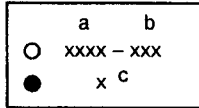
7. Note that the illustrations for reference in finding parts numbers, not to be used for assembling. When assembling, please use the applicable service manual.

8. The asterisk (*) before a reference number indicates modification items after the first edition.

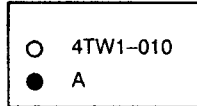
MODEL LABEL

(1) A label called "Model Label" is affixed in the location as indicated in (3) below.
When using this parts catalogue, please be sure to cross-refer the "model code - production code No." in the catalogue to the "model code - production code No." indicated on the Model Label affixed onto the product concerned.

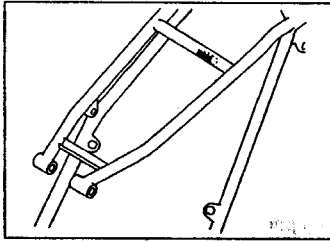
(2) "Model Label" Indication



a: Model Type Code
b: Production Code No.
c: Colouring Type



(3) Model Label Affixing Location



(4) Model Code - Production Code Number of Model Listed in This Parts Catalog

Model Code	Production Code No.	Country (destination)	Model Code	Production Code No.	Country (destination)
5MV1	010	U.S.A			
	020	CANADA			
	030	SOUTH AFRICA			
5MV2	010	FRANCE			
	020	GERMANY			
	030	SPAIN			
	040	ENGLAND			
	050	ITALY			
5MV3	010	JAPAN			
5MV4	010	AUSTRALIA			
	020	NEW ZEALAND			

(5) Colouring Information

Model Code	Colouring type code	Colour code	Colour Name	Abbreviation
5MV1	A	0583	DEEP PURPLISH BLUE SOLID E	DPBSE
5MV2				
5MV3				
5MV4				

CONTENTS

ENGINE

CYLINDER HEAD	B2
GOVERNOR	B4
CRANKSHAFT, PISTON	B5
WATER PUMP	B6
RADIATOR, HOSE	B7
INTAKE	B8
CARBURETOR	B9
EXHAUST	B13
CRANKCASE	B14
CRANKCASE COVER 1	B15
STARTER	C2
CLUTCH	C3
TRANSMISSION	C5
SHIFT CAM, FORK	C7
SHIFT SHAFT	C8

CHASSIS

FRAME	C9
FENDER	C10
SIDE COVER	C11
REAR ARM	C12
REAR SUSPENSION	C14
STEERING	D2
FRONT FORK	D3
FUEL TANK	D6
SEAT	D7
FRONT WHEEL	D8
FRONT BRAKE CALIPER	D9
REAR WHEEL	D10
REAR BRAKE CALIPER	D12
STEERING HANDLE, CABLE	D13
FRONT MASTER CYLINDER	D14

STAND, FOOTREST	D15
REAR MASTER CYLINDER	E2
GENERATOR	E3
HANDLE SWITCH, LEVER	E4
ELECTRICAL 1	E5
ALTERNATE (CHASSIS)	E6
OPTIONAL PARTS 1	E7

INDEX

NUMERICAL INDEX	M1
-----------------------	----

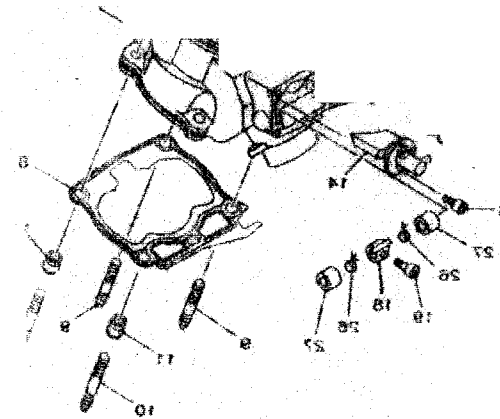
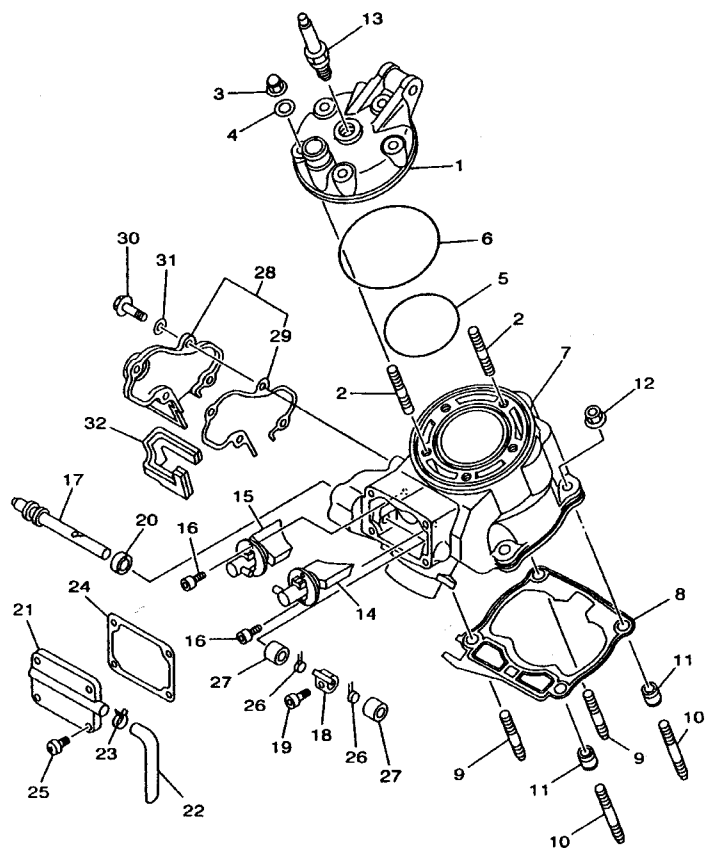


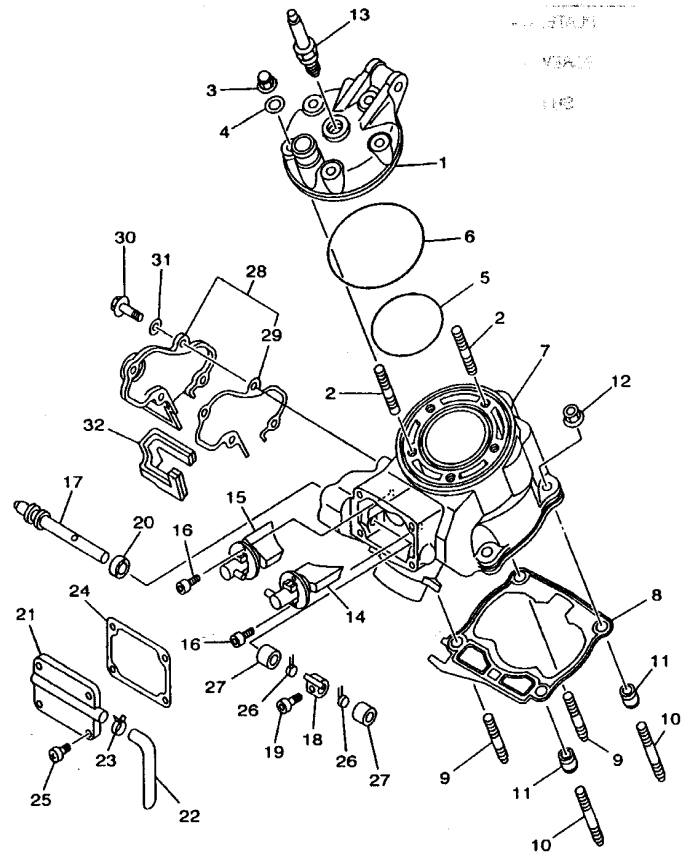
FIG. 1 CYLINDER HEAD




SMV1100-1010

REF. NO.	PART NO.	DESCRIPTION	SMV1	SMV2	SMV3	SMV4	REMARKS
1	5MV-11111-00	HEAD, CYLINDER 1	1	1	1	1	
2	90116-08394	BOLT, STUD	5	5	5	5	
3	90176-08026	NUT, CROWN	5	5	5	5	
4	90201-080L8	WASHER, PLATE	5	5	5	5	
5	93210-63442	O-RING	1	1	1	1	
6	93210-90785	O-RING	1	1	1	1	
7	5MV-11311-00	CYLINDER 1	1	1	1	1	
8	5DH-11351-01	GASKET, CYLINDER	1	1	1	1	
9	90116-08318	BOLT, STUD	2	2	2	2	
10	90116-08388	BOLT, STUD	2	2	2	2	
11	99530-10114	PIN, DOWEL	2	2	2	2	
12	90179-08299	NUT	4	4	4	4	
13	94702-00324	PLUG, SPARK (NGK BR9EG)	1	1		1	
	94709-00324	PLUG, SPARK (NGK BR9EG)			1		
14	5HD-1131D-10	VALVE ASSY	1	1	1	1	
15	5HD-1132D-10	VALVE ASSY 2	1	1	1	1	
16	91317-05012	BOLT	4	4	4	4	
17	5HD-1131V-00	SHAFT 1	1	1	1	1	
18	4SS-11832-00	LEVER, LINK	1	1	1	1	
19	91317-04008	BOLT	1	1	1	1	
20	93104-08040	OIL SEAL	1	1	1	1	
21	4SS-1131M-00	COVER	1	1	1	1	
22	4JY-11166-00	PIPE, BREATHER 1	1	1	1	1	
23	90467-13062	CLIP	1	1	1	1	
24	4JY-11354-02	GASKET	1	1	1	1	
25	98907-05016	SCREW, BIND	4	4	4	4	
26	90508-16134	SPRING, TORSION	2	2	2	2	

B2




 5MV1100-1010

FIG. 1 CYLINDER HEAD

REF. NO.	PART NO.	DESCRIPTION	5MV1	5MV2	5MV3	5MV4	REMARKS
27	90387-08785	COLLAR	2	2	2	2	
28	4JY-11991-01	HOUSING 1	1	1	1	1	
29	4JY-11993-01	.GASKET	1	1	1	1	
30	97007-05016	BOLT	4	4	4	4	
31	92907-05600	WASHER, PLATE	4	4	4	4	
32	4JY-11995-00	SEAL, HOUSING	1	1	1	1	

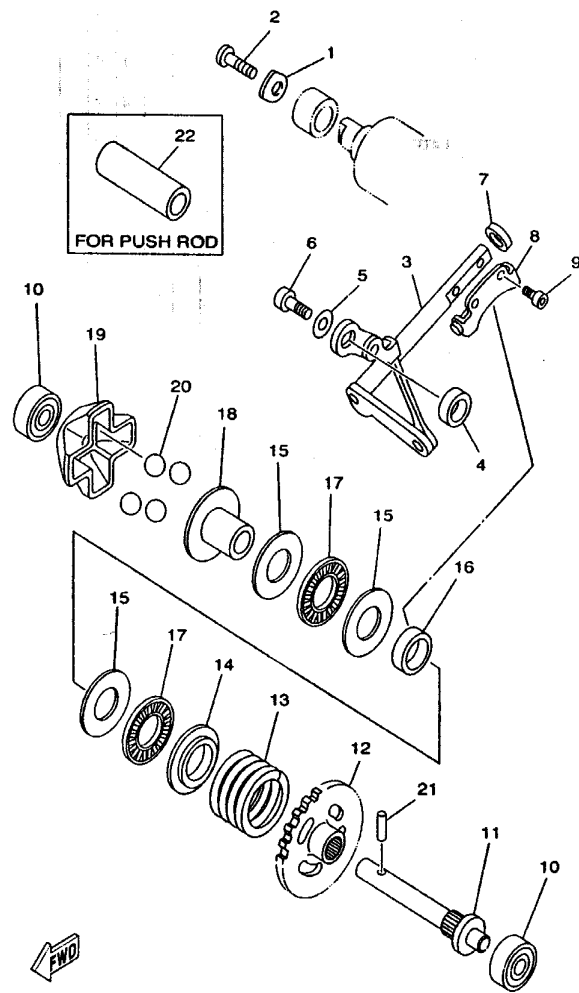
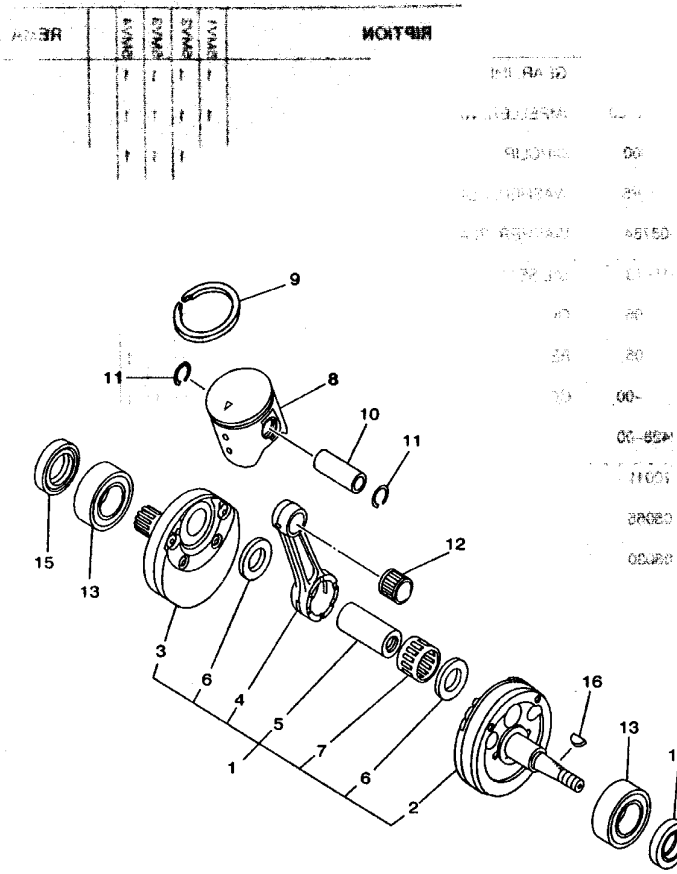


FIG. 2 GOVERNOR

REF. NO.	PART NO.	DESCRIPTION	5MV1	5MV2	5MV3	5MV4	REMARKS
1	4JY-11915-01	PLATE, THRUST 1	1	1	1	1	
2	98507-05012	SCREW, PAN HEAD	1	1	1	1	
3	4SS-11990-00	PUSH ROD ASSY	1	1	1	1	
4	90387-085E1	COLLAR	1	1	1	1	
5	90201-057H5	WASHER, PLATE	1	1	1	1	
6	97007-05012	BOLT	1	1	1	1	
7	93104-08040	OIL SEAL	1	1	1	1	
8	3JE-11922-01	FORK, GOVERNOR	1	1	1	1	
9	91317-04006	BOLT	2	2	2	2	
10	93300-60801	BEARING (B0060)	2	2	2	2	KOYO
11	5X4-11921-02	SHAFT, GOVERNOR	1	1	1	1	
12	24X-11953-01	GEAR, GOVERNOR	1	1	1	1	
13	90501-26001	SPRING, COMPRESSION	1	1	1	1	
14	5CU-11952-00	PLATE	1	1	1	1	
15	90201-150U6	WASHER, PLATE	3	3	3	3	
16	90387-152F2	COLLAR	1	1	1	1	
17	93340-21505	BEARING	2	2	2	2	
18	5CU-11912-00	RETAINER, WEIGHT	1	1	1	1	
19	5CU-11911-00	RETAINER	1	1	1	1	
20	93507-16020	BALL	4	4	4	4	
21	93603-14240	PIN, DOWEL	1	1	1	1	
22	90387-107T9	COLLAR	1	1	1	1	AP

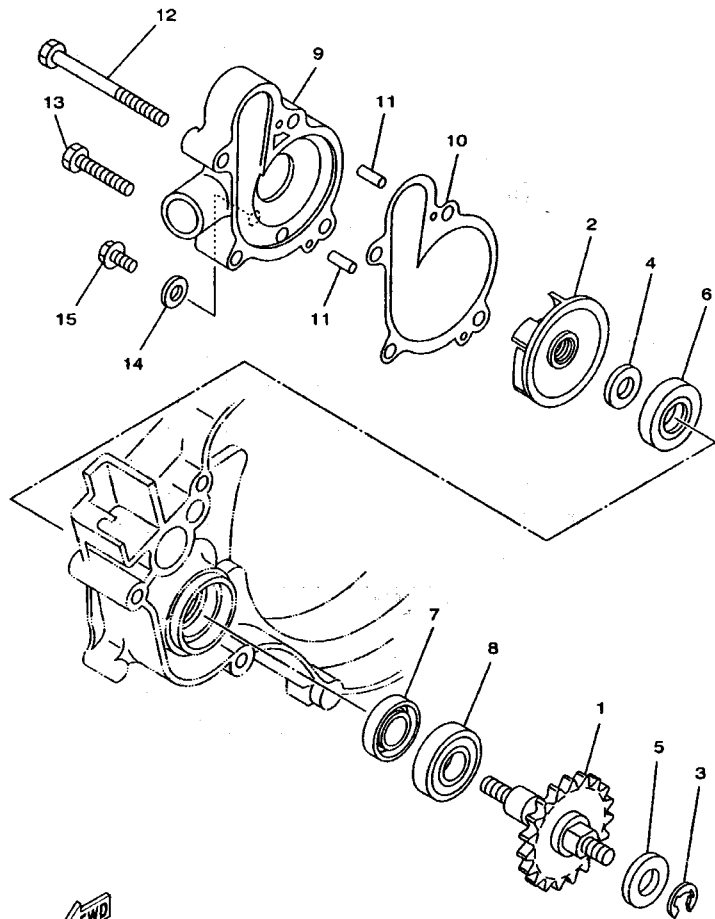
B4



FWD
5MV1100-1030

FIG. 3 CRANKSHAFT. PISTON

REF. NO.	PART NO.	DESCRIPTION	5MV1	5MV2	5MV3	5MV4	REMARKS
1	5MV-11400-00	CRANKSHAFT ASSY	1	1	1	1	
2	5MV-11410-00	.CRANKSHAFT	1	1	1	1	
3	5MV-11420-00	.CRANKSHAFT	1	1	1	1	
4	5MV-11651-00	.ROD, CONNECTING	1	1	1	1	
5	3JD-11681-10	.PIN, CRANK 1	1	1	1	1	
6	90209-22071	.WASHER	2	2	2	2	
7	93310-522P7	.BEARING	1	1	1	1	
8	4XM-11631-30-A0	PISTON (STD)	1	1	1	1	UR
	4XM-11631-30-B0	PISTON (STD)	1	1	1	1	UR
	4XM-11631-30-C0	PISTON (STD)	1	1	1	1	UR
	4XM-11631-30-D0	PISTON (STD)	1	1	1	1	UR
9	4JY-11611-00	RING, PISTON	1	1	1	1	
10	4XM-11633-10	PIN, PISTON	1	1	1	1	
11	93450-16068	CIRCLIP	2	2	2	2	
12	93310-21510	BEARING	1	1	1	1	
13	93306-37204	BEARING (63/22SH2-9TC4)	2	2	2	2	KOYO
14	93102-20485	OIL SEAL	1	1	1	1	
15	93102-30008	OIL SEAL	1	1	1	1	
16	90280-03017	KEY, WOODRUFF	1	1	1	1	

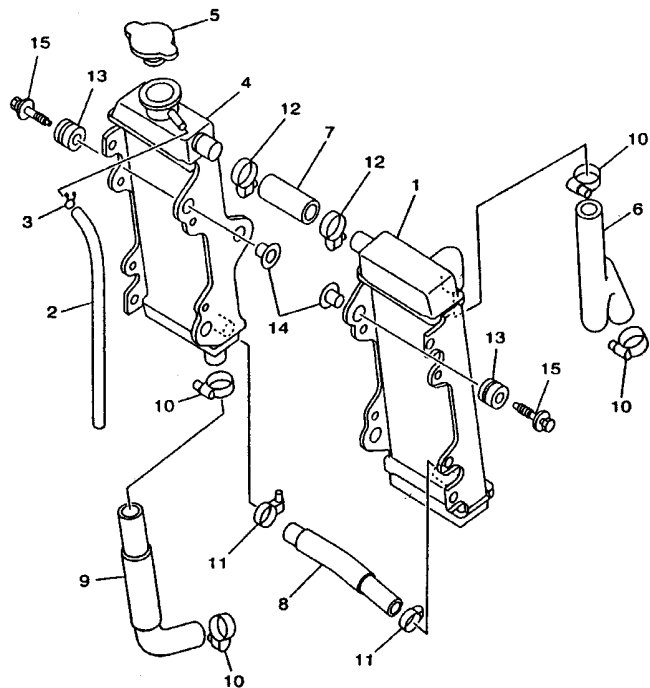


SDH:100-8040

FIG. 4 WATER PUMP

REF. NO.	PART NO.	DESCRIPTION	SMV1	SMV2	SMV3	SMV4	REMARKS
1	5DH-12459-01	GEAR, IMPELLER SHAFT	1	1	1	1	
2	5DH-12451-00	IMPELLER, WATER PUMP	1	1	1	1	
3	99001-06600	CIRCLIP	1	1	1	1	
4	90201-083P5	WASHER, PLATE	1	1	1	1	
5	90201-08784	WASHER, PLATE	1	1	1	1	
6	93109-11073	OIL SEAL	1	1	1	1	
7	93102-12106	OIL SEAL (SD 12-22-5 HS)	1	1	1	1	
8	93306-00105	BEARING (B6001)	1	1	1	1	
9	4JY-12422-00	COVER, HOUSING	1	1	1	1	
10	4JY-12428-00	GASKET, HOUSING COVER 2	1	1	1	1	
11	93604-10011	PIN, DOWEL	2	2	2	2	
12	95027-06065	BOLT, FLANGE	2	2	2	2	
13	95027-06030	BOLT, FLANGE	2	2	2	2	
14	90430-06014	GASKET	1	1	1	1	
15	95027-06010	BOLT, FLANGE	1	1	1	1	

B6



5MV1100-1050

FIG. 5 RADIATOR HOSE

REF. NO.	PART NO.	DESCRIPTION	5MV1	5MV2	5MV3	5MV4	REMARKS
1	4SS-1240A-10	RADIATOR ASSY	1	1	1	1	
2	91A20-05065	TUBE, FLEXIBLE VINYL	1	1	1	1	
3	90467-09006	CLIP	1	1	1	1	
4	4SS-12461-10	RADIATOR ASSY	1	1	1	1	
5	5HD-12462-00	CAP, RADIATOR	1	1	1	1	
6	5MV-12481-00	PIPE 1	1	1	1	1	
7	4SS-12482-00	PIPE 2	1	1	1	1	
8	4SS-12483-00	PIPE 3	1	1	1	1	
9	4SS-12484-00	PIPE 4	1	1	1	1	
10	90450-28014	HOSE CLAMP ASSY	4	4	4	4	
11	90450-22017	HOSE CLAMP ASSY	2	2	2	2	
12	90450-25037	HOSE CLAMP ASSY	2	2	2	2	
13	90480-15528	GROMMET	6	6	6	6	
14	90387-0614M	COLLAR	6	6	6	6	
15	90119-06214	BOLT, WITH WASHER	6	6	6	6	

B7

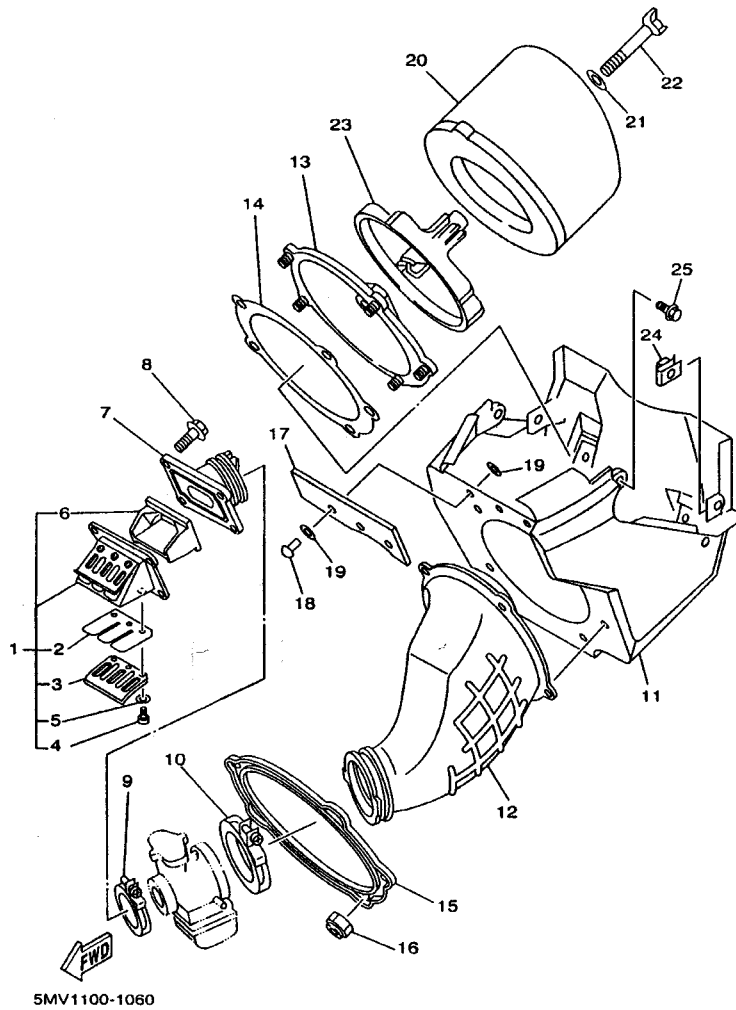


FIG. 6 INTAKE

REF. NO.	PART NO.	DESCRIPTION	5MV1	5MV2	5MV3	5MV4	REMARKS
1	5MV-13610-00	REED VALVE ASSY	1	1	1	1	
2	5MV-13613-00	.REED, VALVE	2	2	2	2	
3	5MV-13616-00	.STOPPER, REED VALVE	2	2	2	2	
4	98507-03006	.SCREW, PAN HEAD	6	6	6	6	
5	92907-03100	.WASHER	6	6	6	6	
6	5MV-13625-00	.SPACER, REED VALVE	1	1	1	1	
7	5MV-13565-00	JOINT, CARBURETOR	1	1	1	1	
8	95027-06020	BOLT, FLANGE	4	4	4	4	
9	90450-51070	HOSE CLAMP ASSY	1	1	1	1	
10	90450-70072	HOSE CLAMP ASSY	1	1	1	1	
11	4SS-14401-10	AIR CLEANER CASE ASSY	1	1	1	1	
12	5MV-14453-00	JOINT, AIR CLEANER 1	1	1	1	1	
13	3JD-14459-01	HOLDER, GUIDE	1	1	1	1	
14	3JD-14462-00	SEAL	1	1	1	1	
15	5MV-14477-00	PLATE	1	1	1	1	
16	95607-05100	NUT, U	5	5	5	5	
17	4SS-14417-00	COVER 1	1	1	1	1	
18	90267-32070	RIVET, BLIND	3	3	3	3	
19	90201-03313	WASHER, PLATE	6	6	6	6	
20	4XM-14451-00	ELEMENT, AIR CLEANER	1	1	1	1	
21	90209-06096	WASHER	1	1	1	1	
22	90122-06035	BOLT, WING	1	1	1	1	
23	3JD-14458-01	GUIDE	1	1	1	1	
24	90183-06023	NUT, SPRING	4	4	4	4	
25	90119-06203	BOLT, WITH WASHER	2	2	2	2	

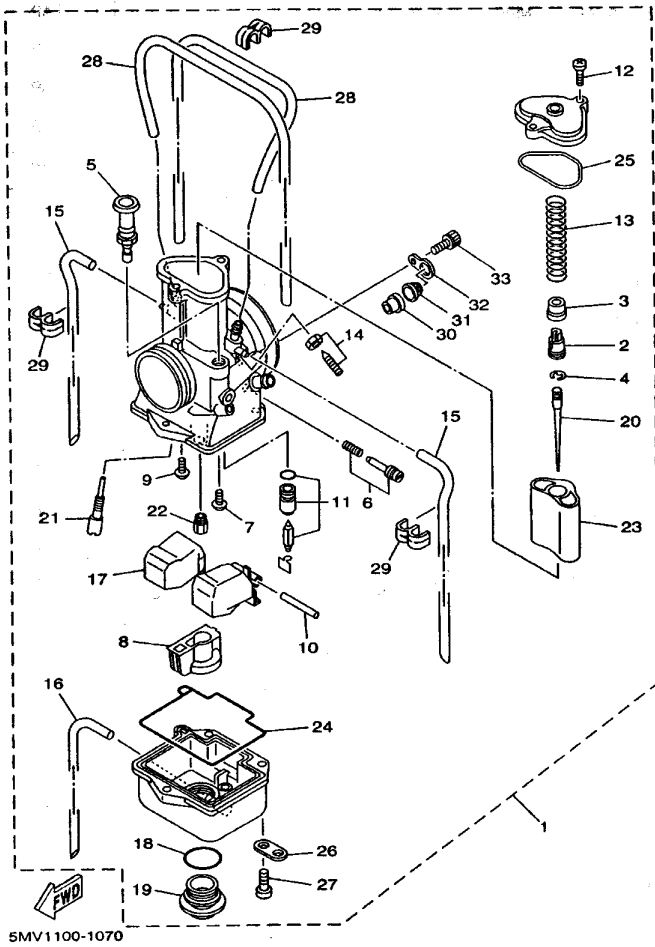


FIG. 7 CARBURETOR

REF. NO.	PART NO.	DESCRIPTION	5MV1	5MV2	5MV3	5MV4	REMARKS
1	5MV-14101-00	CARBURETOR ASSY 1	1			1	
	5MV-14101-10	CARBURETOR ASSY 1		1			
	5MV-14101-20	CARBURETOR ASSY 1			1		
2	4PE-14261-01	.HOLDER	1	1	1	1	
3	4PE-14194-00	.RING	1	1	1	1	
4	3MA-14159-00	.CLIP	1	1	1	1	
5	3JE-14171-00	.PLUNGER, STARTER	1	1	1	1	
6	3JD-14104-00	.AIR SCREW SET	1	1	1	1	
7	1FN-14565-00	.SCREW	1	1	1	1	
8	5ET-14261-01	.HOLDER	1	1	1	1	
9	98507-04008	.SCREW, PAN HEAD	1	1	1	1	
10	353-14186-00	.PIN, FLOAT	1	1	1	1	
11	4PE-14107-38	.NEEDLE VALVE SET	1	1	1	1	
12	98507-04014	.SCREW, PAN HEAD	2	2	2	2	
13	4PE-14131-00	.SPRING, THROTTLE VALVE	1	1	1	1	
14	4PE-14103-00	.THROTTLE SCREW SET	1	1	1	1	
15	5ET-14197-00	.PIPE	2	2	2	2	
16	10V-14196-00	.PIPE	1	1	1	1	
17	5ET-14185-00	.FLOAT	1	1	1	1	
18	2K6-14147-00	.O-RING	1	1	1	1	
19	5ET-14115-00	.PLUG, SCREW	1	1	1	1	
20	5A0-14116-H0	.NEEDLE (6BGK9-75)	1			1	STD
	5A0-14116-J0	.NEEDLE (6BHY1-75)		1			STD
	5A0-14116-L1	.NEEDLE (6BHY24-76)			1		STD
	5A0-14116-H8	.NEEDLE (6BGK9-73)	1			1	AP
	5A0-14116-H9	.NEEDLE (6BGK9-74)	1			1	AP
	5A0-14116-H1	.NEEDLE (6BGK9-76)	1			1	AP

B9

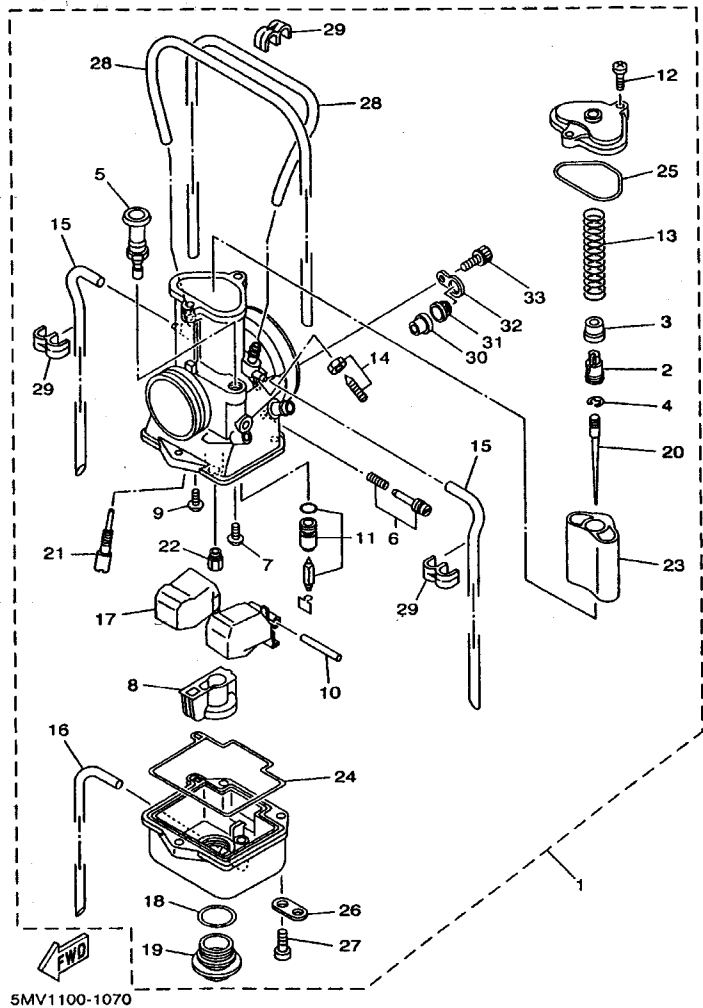


FIG. 7 CARBURETOR

REF. NO.	PART NO.	DESCRIPTION	5MV1	5MV2	5MV3	5MV4	REMARKS
20	5A0-14116-H2	.NEEDLE (6BGK9-77)	1			1	AP
	5A0-14116-K8	.NEEDLE (6BGK10-73)	1			1	AP
	5A0-14116-K9	.NEEDLE (6BGK10-74)	1			1	AP
	5A0-14116-K0	.NEEDLE (6BGK10-75)	1			1	AP
	5A0-14116-K1	.NEEDLE (6BGK10-76)	1			1	AP
	5A0-14116-K2	.NEEDLE (6BGK10-77)	1			1	AP
	5A0-14116-J8	.NEEDLE (6BHY1-73)		1			AP
	5A0-14116-J9	.NEEDLE (6BHY1-74)		1			AP
	5A0-14116-J1	.NEEDLE (6BHY1-76)		1			AP
	5A0-14116-J2	.NEEDLE (6BHY1-77)		1			AP
	5A0-14116-M8	.NEEDLE (6BHY25-73)		1			AP
	5A0-14116-M9	.NEEDLE (6BHY25-74)		1			AP
	5A0-14116-M0	.NEEDLE (6BHY25-75)		1			AP
	5A0-14116-M1	.NEEDLE (6BHY25-76)		1			AP
	5A0-14116-M2	.NEEDLE (6BHY25-77)		1			AP
	5A0-14116-L9	.NEEDLE (6BHY24-74)			1		AP
	5A0-14116-L0	.NEEDLE (6BHY24-75)			1		AP
	5A0-14116-L2	.NEEDLE (6BHY24-77)			1		AP
	5A0-14116-L3	.NEEDLE (6BHY24-78)			1		AP
	5A0-14116-J9	.NEEDLE (6BHY1-74)			1		AP
	5A0-14116-J0	.NEEDLE (6BHY1-75)			1		AP
	5A0-14116-J1	.NEEDLE (6BHY1-76)			1		AP
	5A0-14116-J2	.NEEDLE (6BHY1-77)			1		AP
	5A0-14116-J3	.NEEDLE (6BHY1-78)			1		AP
21	4KM-14142-25	.JET, PILOT (# 25)		1		1	STD
	4KM-14142-30	.JET, PILOT (# 30)			1		STD
	4KM-14142-27	.JET, PILOT (# 27.5)				1	STD

B10

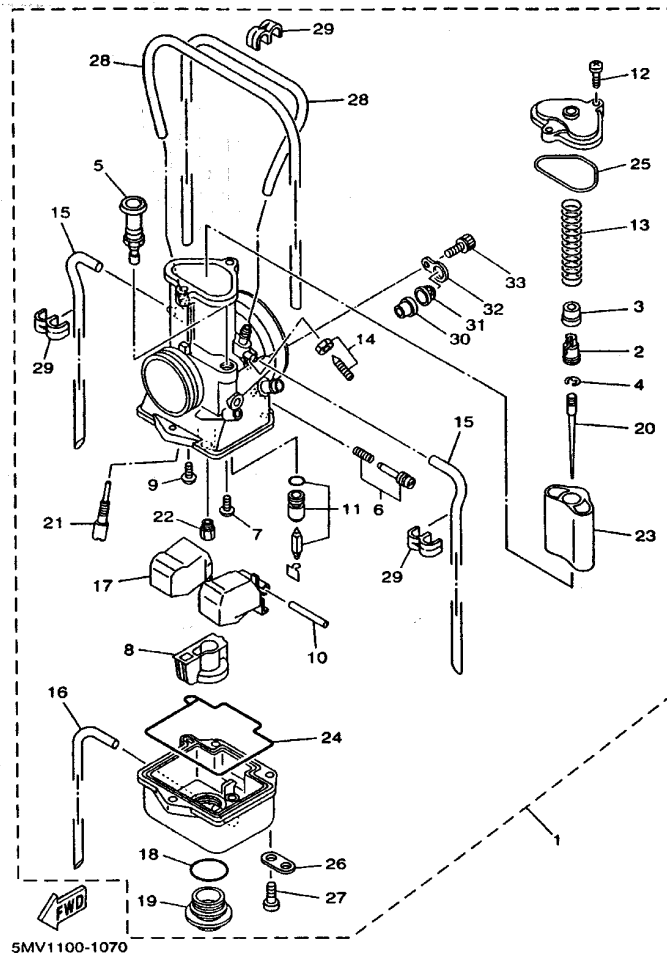
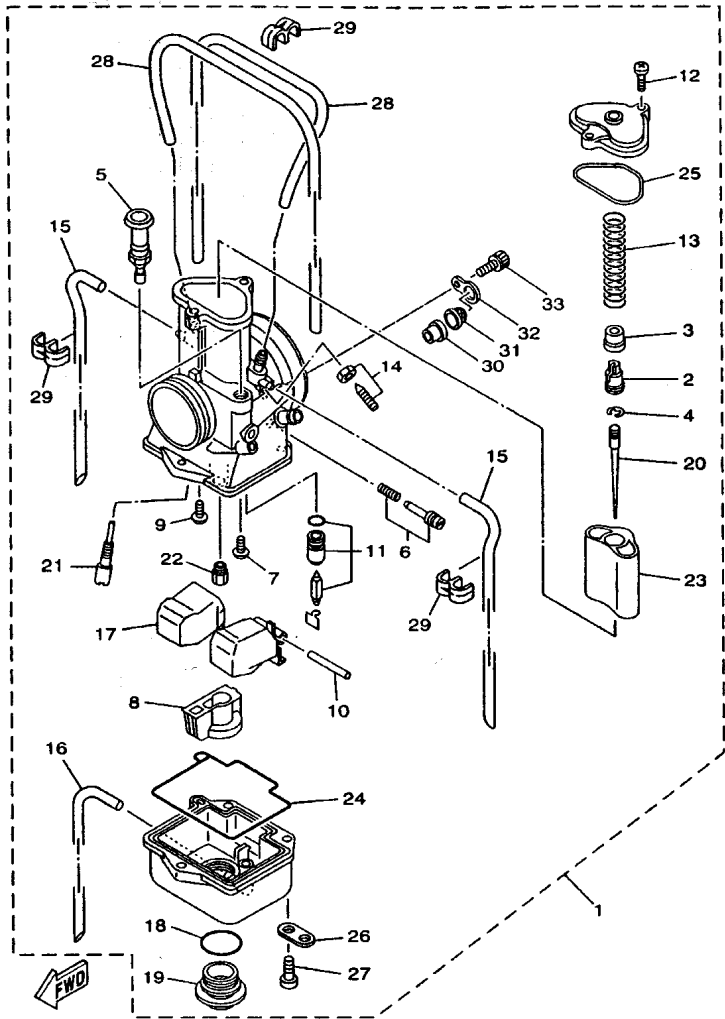


FIG. 7 CARBURETOR

REF. NO.	PART NO.	DESCRIPTION	5MV1	5MV2	5MV3	5MV4	REMARKS
21	4KM-14142-20	.JET, PILOT (# 20)	1	1	1	1	AP
	4KM-14142-22	.JET, PILOT (# 22.5)	1	1	1	1	AP
	4KM-14142-25	.JET, PILOT (# 25)		1	1		AP
	4KM-14142-27	.JET, PILOT (# 27.5)	1	1		1	AP
	4KM-14142-30	.JET, PILOT (# 30)	1		1	1	AP
	4KM-14142-32	.JET, PILOT (# 32.5)	1	1	1	1	AP
	4KM-14142-35	.JET, PILOT (# 35)	1	1	1	1	AP
	4KM-14142-37	.JET, PILOT (# 37.5)	1	1	1	1	AP
	4KM-14142-40	.JET, PILOT (# 40)	1	1	1	1	AP
22	137-14143-92	.JET, MAIN (#460)	1			1	STD
	137-14143-90	.JET, MAIN (#450)		1			STD
	137-14143-88	.JET, MAIN (#440)			1		STD
	137-14143-84	.JET, MAIN (#420)	1	1	1	1	AP
	137-14143-86	.JET, MAIN (#430)	1	1	1	1	AP
	137-14143-88	.JET, MAIN (#440)	1	1		1	AP
	137-14143-90	.JET, MAIN (#450)	1		1	1	AP
	137-14143-92	.JET, MAIN (#460)		1	1		AP
	137-14143-94	.JET, MAIN (#470)	1	1	1	1	AP
	137-14143-96	.JET, MAIN (#480)	1	1	1	1	AP
	137-14143-98	.JET, MAIN (#490)	1	1	1	1	AP
23	5MV-14112-57	.VALVE, THROTTLE 1	1	1	1	1	STD
	5MV-14112-55	.VALVE, THROTTLE 1	1	1	1	1	AP
	5MV-14112-60	.VALVE, THROTTLE 1	1	1	1	1	AP
24	5ET-1416A-00	.O-RING	1	1	1	1	
25	5ET-14147-00	.O-RING	1	1	1	1	
26	5TR-14146-00	.PLATE	1	1	1	1	
27	98502-05014	.SCREW, PAN HEAD	3	3	3	3	

B11

EXPANDED



5MV1100-1070

FIG. 7 CARBURETOR

REF. NO.	PART NO.	DESCRIPTION	5MV1	5MV2	5MV3	5MV4	REMARKS
28	2HH-14197-00	.PIPE	2	2	2	2	
29	87M-14137-00	.CLIP	3	3	3	3	
30	5MV-14194-00	.RING	1	1	1	1	
31	5MV-24514-00	.NET, FILTER 1	1	1	1	1	
32	5MV-14146-00	.PLATE	1	1	1	1	
33	5MV-14216-00	.SCREW	1	1	1	1	

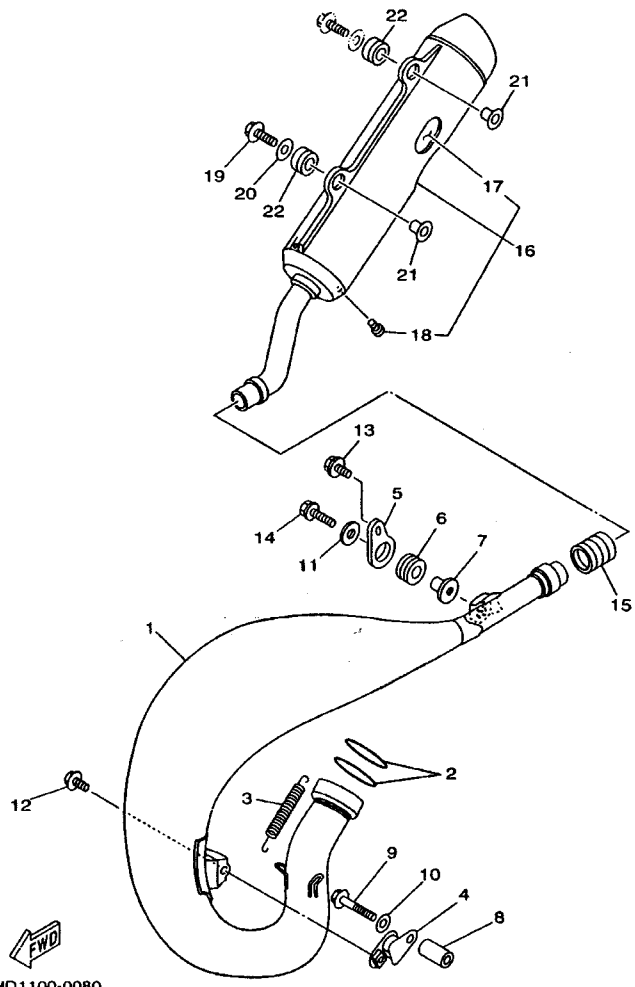
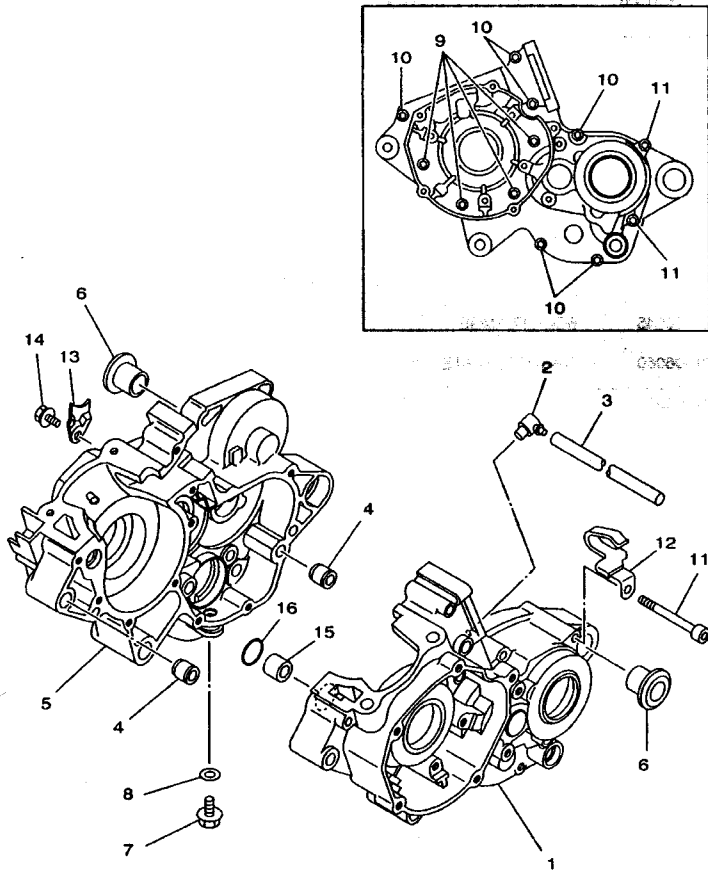


FIG. 8 EXHAUST

REF. NO.	PART NO.	DESCRIPTION	BMV1	BMV2	BMV3	BMV4	REMARKS
1	5HD-14610-00	EXHAUST PIPE ASSY 1	1	1	1	1	
2	5MV-14642-00	SEAL, EXHAUST	2	2	2	2	
3	90507-20052	SPRING, TENSION	2	2	2	2	
4	565-14771-00	STAY, MUFFLER 1	1	1	1	1	
5	5CU-14771-00	STAY, MUFFLER 1	1	1	1	1	
6	90480-16561	GROMMET	1	1	1	1	
7	90387-063G3	COLLAR	1	1	1	1	
8	90387-062W7	COLLAR	1	1	1	1	
9	95027-06045	BOLT, FLANGE	1	1	1	1	
10	90201-06060	WASHER, PLATE	1	1	1	1	
11	90201-06071	WASHER, PLATE	1	1	1	1	
12	95027-06012	BOLT, FLANGE	1	1	1	1	
13	90119-06192	BOLT, WITH WASHER	1	1	1	1	
14	95027-06025	BOLT, FLANGE	1	1	1	1	
15	4JY-14615-00	JOINT, EXHAUST 1	1	1	1	1	
16	5HD-14753-00	SILENCER, EXHAUST	1	1	1	1	
17	5HD-1469A-00	.FIBER	1	1	1	1	
18	92017-06010	.BOLT, BUTTON HEAD	2	2	2	2	
19	95027-06025	BOLT, FLANGE	1	1	1	1	
20	90201-06071	WASHER, PLATE	1	1	1	1	
21	90387-063G3	COLLAR	2	2	2	2	
22	90480-16561	GROMMET	2	2	2	2	

B13




 5DH1100-8090

FIG. 9 CRANKCASE

REF. NO.	PART NO.	DESCRIPTION	5MV1	5MV2	5MV3	5MV4	REMARKS
1	5MV-15111-00	CRANKCASE 1	1	1	1	1	
2	353-13115-01	CONNECTOR, SUCTION PIPE	1	1	1	1	
3	90445-08605	HOSE (L400)	1	1	1	1	
4	93612-16254	PIN, DOWEL	2	2	2	2	
5	5MV-15121-00	CRANKCASE 2	1	1	1	1	
6	90387-1712Y	COLLAR	2	2	2	2	
7	90340-12059	PLUG, STRAIGHT SCREW	1	1	1	1	
8	90430-12227	GASKET	1	1	1	1	
9	91317-06045	BOLT	4	4	4	4	
10	91317-06055	BOLT	6	6	6	6	
11	91317-06070	BOLT	2	2	2	2	
12	90461-10136	CLAMP	1	1	1	1	
13	3R4-15118-00	HOLDER	1	1	1	1	
14	90105-06556	BOLT, WASHER BASED	1	1	1	1	
15	99590-17016	PIN, DOWEL	1	1	1	1	
16	93210-16314	O-RING	1	1	1	1	

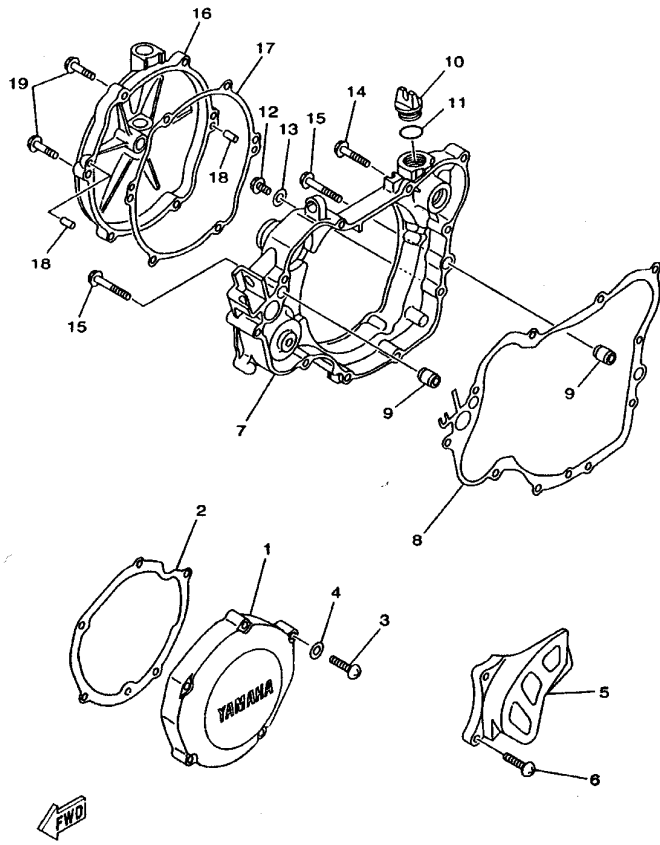
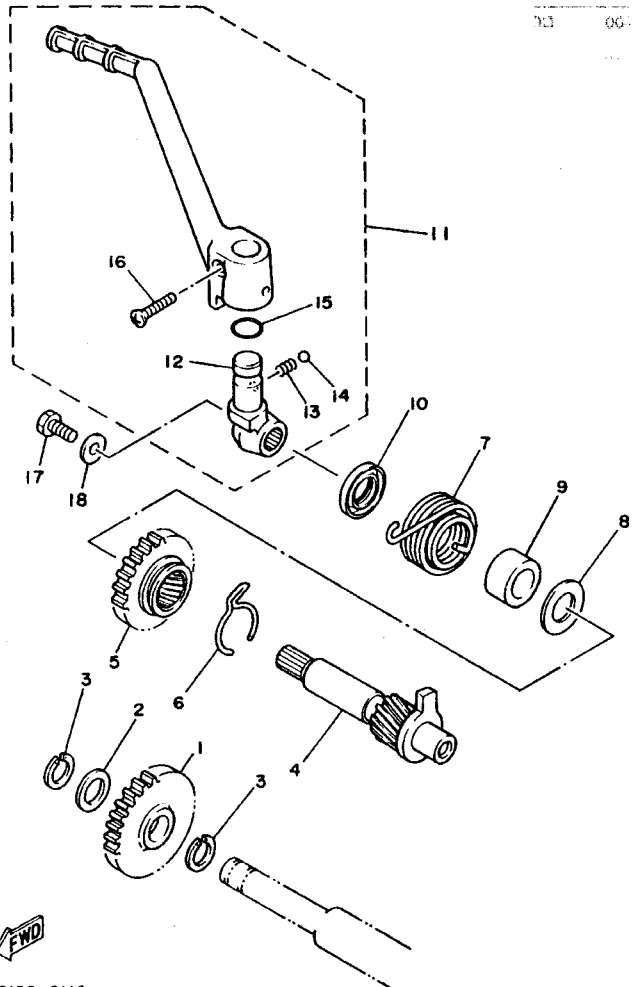


FIG. 10 CRANKCASE COVER 1

REF. NO.	PART NO.	DESCRIPTION	SMV1	SMV2	SMV3	SMV4	REMARKS
1	4JY-15411-00	COVER, CRANKCASE 1	1	1	1	1	
2	4JY-15451-10	GASKET, CRANKCASE COVER 1	1	1	1	1	
3	98507-06030	SCREW, PAN HEAD	5	5	5	5	
4	92907-06600	WASHER, PLATE	5	5	5	5	
5	4EX-15421-00	COVER, CRANKCASE 2	1	1	1	1	
6	98507-06016	SCREW, PAN HEAD	2	2	2	2	
7	4JY-15431-12	COVER, CRANKCASE 3	1	1	1	1	
8	4JY-15462-00	GASKET, CRANKCASE COVER 3	1	1	1	1	
9	99530-10114	PIN, DOWEL	2	2	2	2	
10	3Y1-15363-00	PLUG, OIL	1	1	1	1	
11	93210-19123	O-RING	1	1	1	1	
12	95027-06010	BOLT, FLANGE	1	1	1	1	
13	90430-06014	GASKET	1	1	1	1	
14	95027-06030	BOLT, FLANGE	6	6	6	6	
15	95027-06040	BOLT, FLANGE	2	2	2	2	
16	4JY-15415-00	COVER, GENERATOR	1	1	1	1	
17	4JY-15463-01	GASKET, CARBURETOR COVER 2	1	1	1	1	
18	93604-10011	PIN, DOWEL	2	2	2	2	
19	95027-06025	BOLT, FLANGE	6	6	6	6	

ИЗДАНИЕ
 001 ТРА
 001 001



4DB2100-2110



FIG. 11 STARTER

REF. NO.	PART NO.	DESCRIPTION	5MV1	5MV2	5MV3	5MV4	REMARKS
1	1LX-15651-00	GEAR, KICK IDLE	1	1	1	1	
2	90201-152H7	WASHER, PLATE	1	1	1	1	
3	93440-15012	CIRCLIP	2	2	2	2	
4	1LX-15660-03	KICK AXLE ASSY	1	1	1	1	
5	1LX-15641-00	GEAR, KICK	1	1	1	1	
6	90468-26048	CLIP	1	1	1	1	
7	90508-26450	SPRING, TORSION	1	1	1	1	
8	90201-171G4	WASHER, PLATE	1	1	1	1	
9	90560-17279	SPACER	1	1	1	1	
10	93102-17263	OIL SEAL	1	1	1	1	
11	4DB-15620-03	KICK CRANK ASSY	1	1	1	1	
12	4DB-15621-03	.BOSS, KICK CRANK	1	1	1	1	
13	90501-12081	.SPRING, COMPRESSION	1	1	1	1	
14	93507-32009	.BALL	1	1	1	1	
15	93210-15171	.O-RING	1	1	1	1	
16	90152-06010	.SCREW, COUNTERSUNK	1	1	1	1	
17	97027-06012	.BOLT	1	1	1	1	
18	90201-06060	.WASHER, PLATE	1	1	1	1	

C2

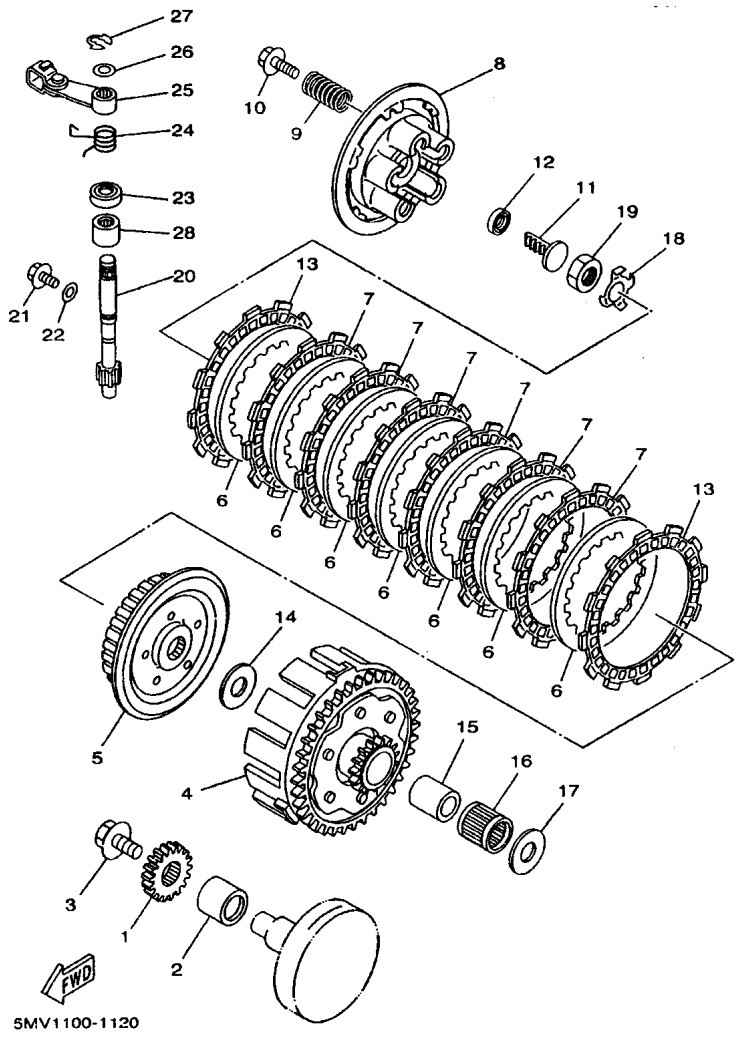


FIG. 12 CLUTCH

REF. NO.	PART NO.	DESCRIPTION	5MV1	5MV2	5MV3	5MV4	REMARKS
1	3XJ-16111-00	GEAR, PRIMARY DRIVE	1	1	1	1	
2	90387-20007	COLLAR	1	1	1	1	
3	90105-10445	BOLT, WASHER BASED	1	1	1	1	
4	4JY-16150-02	PRIMARY DRIVEN GEAR COMP.	1	1	1	1	
5	4EX-16371-00	BOSS, CLUTCH	1	1	1	1	
6	3XJ-16324-00	PLATE, CLUTCH 1	7	7	7	7	
7	5DH-16321-00	PLATE, FRICTION	6	6	6	6	
8	5HD-16351-00	PLATE, PRESSURE 1	1	1	1	1	
9	90501-23598	SPRING, COMPRESSION	5	5	5	5	
10	90159-06016	SCREW, WITH WASHER	5	5	5	5	
11	3SB-16356-10	ROD, PUSH 1	1	1	1	1	
12	93340-21008	BEARING	1	1	1	1	
13	3XJ-16321-00	PLATE, FRICTION	2	2	2	2	
14	90201-20611	WASHER, PLATE	1	1	1	1	
15	3XJ-16181-00	SPACER 1	1	1	1	1	
16	93310-225N0	BEARING	1	1	1	1	
17	90201-20611	WASHER, PLATE	1	1	1	1	
18	90215-16289	WASHER, LOCK	1	1	1	1	
19	90170-16326	NUT	1	1	1	1	
20	4EX-16382-10	AXLE, PUSH LEVER	1	1	1	1	
21	90109-06418	BOLT	1	1	1	1	
22	90430-06014	GASKET	1	1	1	1	
23	93102-12224	OIL SEAL	1	1	1	1	
24	90508-14184	SPRING, TORSION	1	1	1	1	
25	4XV-16340-01	PUSH LEVER ASSY	1	1	1	1	
26	90201-08759	WASHER, PLATE	1	1	1	1	
27	93430-08053	CIRCLIP	1	1	1	1	

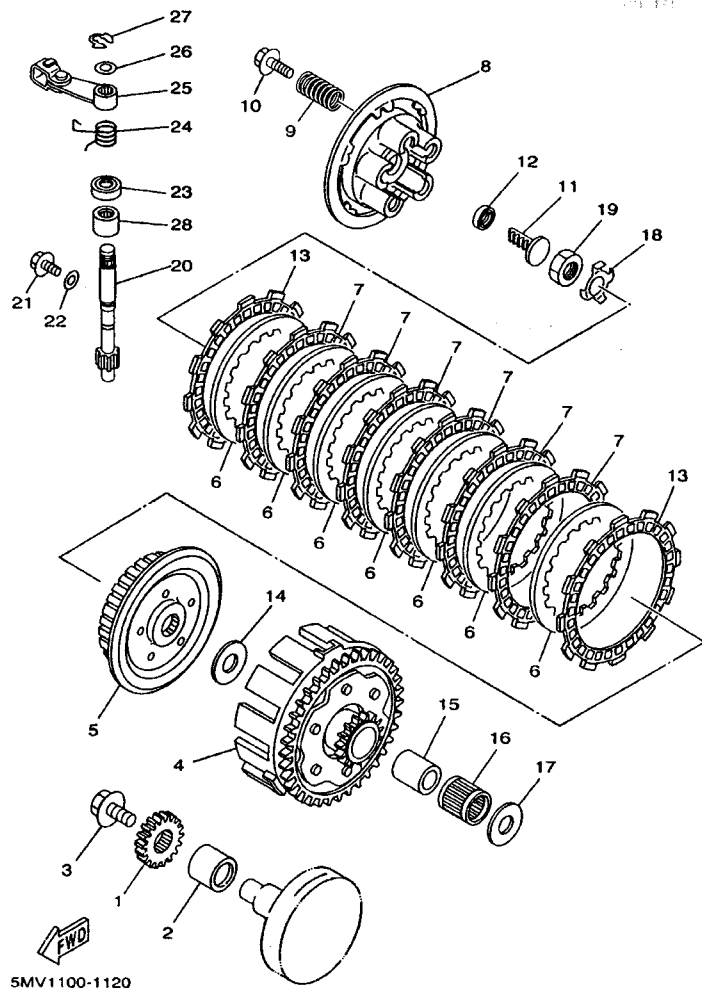


FIG. 12 CLUTCH

REF. NO.	PART NO.	DESCRIPTION	5MV1	5MV2	5MV3	5MV4	REMARKS
28	93315-11206	BEARING	1	1	1	1	

C4

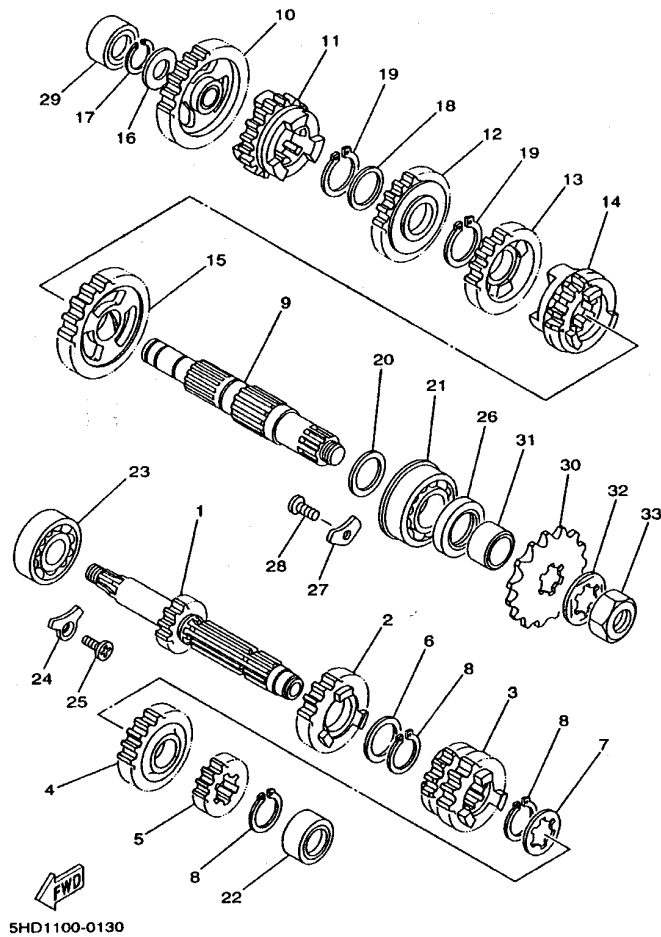
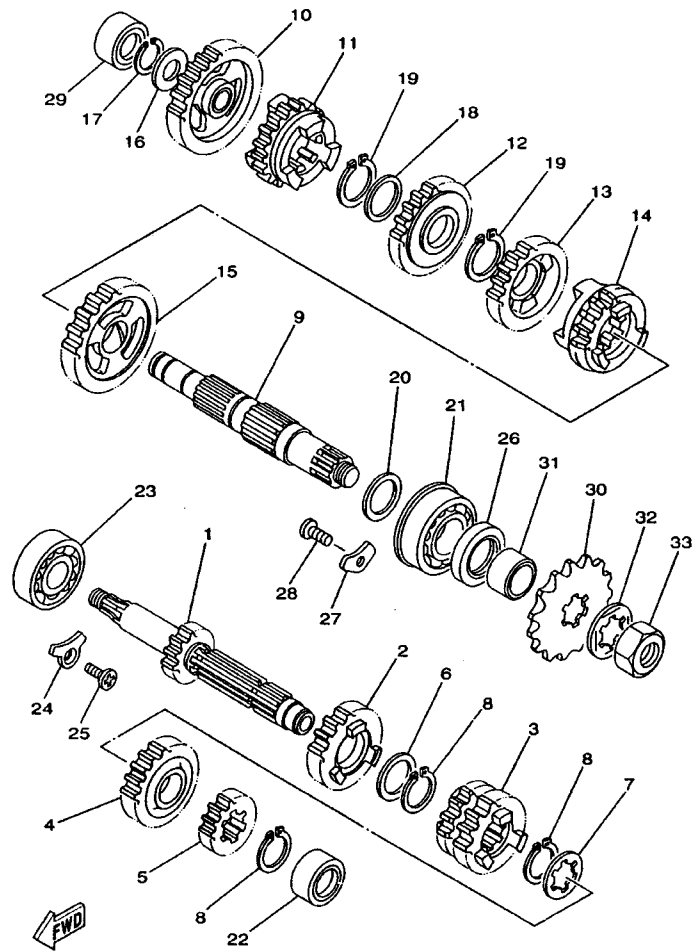


FIG. 13 TRANSMISSION

REF. NO.	PART NO.	DESCRIPTION					REMARKS
			5MV1	5MV2	5MV3	5MV4	
1	4XM-17411-00	AXLE, MAIN	1	1	1	1	
2	4EX-17151-00	GEAR, 5TH PINION (23T)	1	1	1	1	
3	4EX-17131-01	GEAR, 3RD PINION (21T/17T)	1	1	1	1	
4	4XM-17161-00	GEAR, 6TH PINION (24T)	1	1	1	1	
5	4XM-17121-00	GEAR, 2ND PINION (15T)	1	1	1	1	
6	90201-22555	WASHER, PLATE	1	1	1	1	
7	90209-18135	WASHER	1	1	1	1	
8	93410-22039	CIRCLIP	3	3	3	3	
9	5HD-17421-00	AXLE, DRIVE	1	1	1	1	
10	4XM-17211-01	GEAR, 1ST WHEEL (30T)	1	1	1	1	
11	5HD-17251-00	GEAR, 5TH WHEEL (26T)	1	1	1	1	
12	3SR-17231-00	GEAR, 3RD WHEEL (26T)	1	1	1	1	
13	4EX-17241-00	GEAR, 4TH WHEEL (27T)	1	1	1	1	
14	5HD-17261-00	GEAR, 6TH WHEEL (24T)	1	1	1	1	
15	4XM-17221-00	GEAR, 2ND WHEEL (28T)	1	1	1	1	
16	90201-15700	WASHER, PLATE	1	1	1	1	
17	93440-15012	CIRCLIP	1	1	1	1	
18	90209-20008	WASHER	1	1	1	1	
19	93410-22039	CIRCLIP	2	2	2	2	
20	90201-20611	WASHER, PLATE	1	1	1	1	
21	93306-30411	BEARING (B6304)	1	1	1	1	
22	93311-41530	BEARING	1	1	1	1	
23	93306-20431	BEARING (B6204Z)	1	1	1	1	
24	1LX-15383-00	PLATE, BEARING COVER	1	1	1	1	
25	90151-06037	SCREW, COUNTERSUNK	1	1	1	1	
26	93102-26042	OIL SEAL	1	1	1	1	
27	4XM-15383-00	PLATE, BEARING COVER	2	2	2	2	

C5

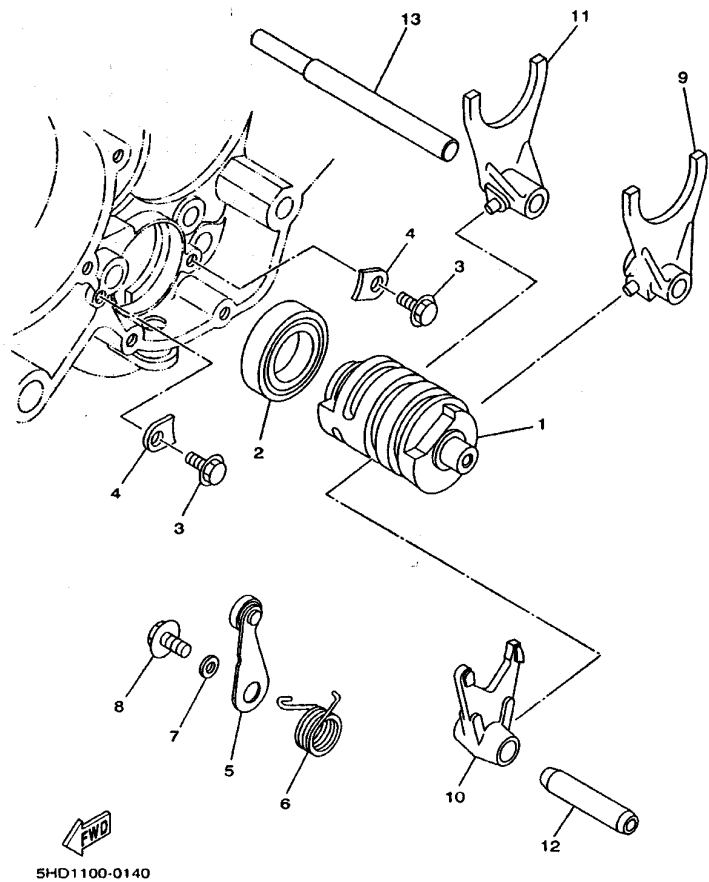


5HD1100-0130

FIG. 13 TRANSMISSION

REF. NO.	PART NO.	DESCRIPTION					REMARKS
			SMV1	SMV2	SMV3	SMV4	
28	90151-06037	SCREW, COUNTERSUNK	2	2	2	2	
29	93311-31515	BEARING	1	1	1	1	
30	9383A-13031	SPROCKET,DRIVE 13T(2HG1746130)	1	1	1	1	STD
	9383A-12017	SPROCKET,DRIVE 12T(2HG1746120)	1	1	1	1	AP
	9383A-14054	SPROCKET,DRIVE 14T(2HG1746140)	1	1	1	1	AP
31	90387-202A0	COLLAR	1	1	1	1	
32	90215-20261	WASHER, LOCK	1	1	1	1	
33	90179-16226	NUT	1	1	1	1	

C6

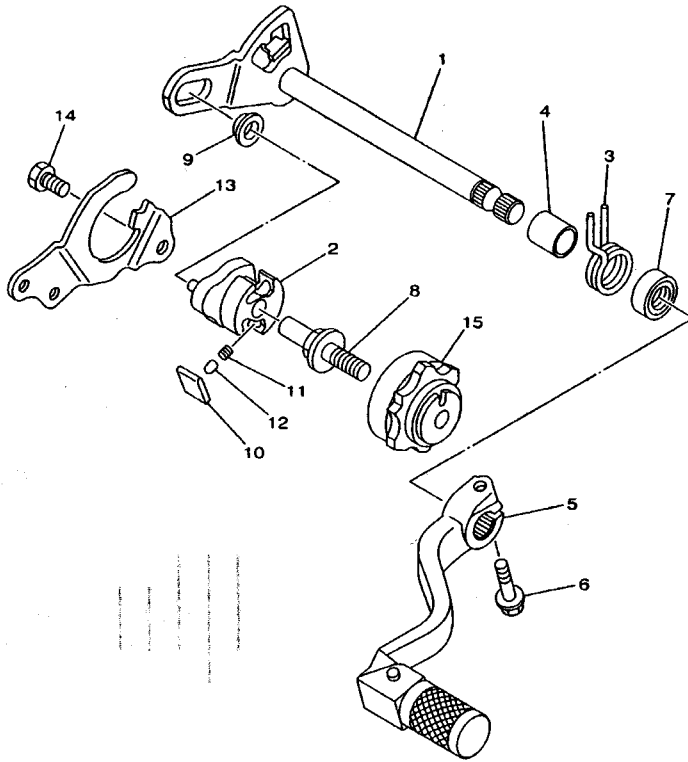


5HD1100-0140

FIG. 14 SHIFT CAM. FORK

REF. NO.	PART NO.	DESCRIPTION	5MV1	5MV2	5MV3	5MV4	REMARKS
1	5DH-18541-00	CAM, SHIFT	1	1	1	1	
2	93306-90504	BEARING	1	1	1	1	
3	90105-06553	BOLT, WASHER BASED	2	2	2	2	
4	5DH-18562-00	PLATE, STOPPER 2	2	2	2	2	
5	5HD-18140-00	STOPPER LEVER ASSY	1	1	1	1	
6	90508-261B7	SPRING, TORSION	1	1	1	1	
7	90387-063F7	COLLAR	1	1	1	1	
8	90159-06078	SCREW, WITH WASHER	1	1	1	1	
9	4SS-18511-00	FORK, SHIFT 1	1	1	1	1	
10	2VN-18512-01	FORK, SHIFT 2	1	1	1	1	
11	4SS-18513-00	FORK, SHIFT 3	1	1	1	1	
12	4EX-18531-00	BAR, SHIFT FORK GUIDE 1	1	1	1	1	
13	4EX-18535-00	BAR, SHIFT FORK GUIDE 2	1	1	1	1	

REMARKS



5MV1100-1150

FIG. 15 SHIFT SHAFT

REF. NO.	PART NO.	DESCRIPTION	5MV1	5MV2	5MV3	5MV4	REMARKS
1	4SS-18101-00	SHIFT SHAFT ASSY	1	1	1	1	
2	5MV-18122-00	LEVER, SHIFT 2	1	1	1	1	
3	90508-295A7	SPRING, TORSION	1	1	1	1	
4	90560-12280	SPACER	1	1	1	1	
5	4SS-18110-00	SHIFT PEDAL ASSY	1	1	1	1	
6	95027-06020	BOLT, FLANGE	1	1	1	1	
7	93109-12012	OIL SEAL	1	1	1	1	
8	3XJ-18173-00	PIN, SHIFT	1	1	1	1	
9	3XJ-18178-00	ROLLER, SHIFT LEVER	1	1	1	1	
10	3XJ-18182-00	PAWL, SHIFTER	2	2	2	2	
11	90501-052G5	SPRING, COMPRESSION	2	2	2	2	
12	3XJ-18184-00	PIN, PAWL	2	2	2	2	
13	4JY-18172-00	GUIDE, SHIFT	1	1	1	1	
14	90101-06664	BOLT	2	2	2	2	
15	4EW-18185-00	SEGMENT	1	1	1	1	

C8

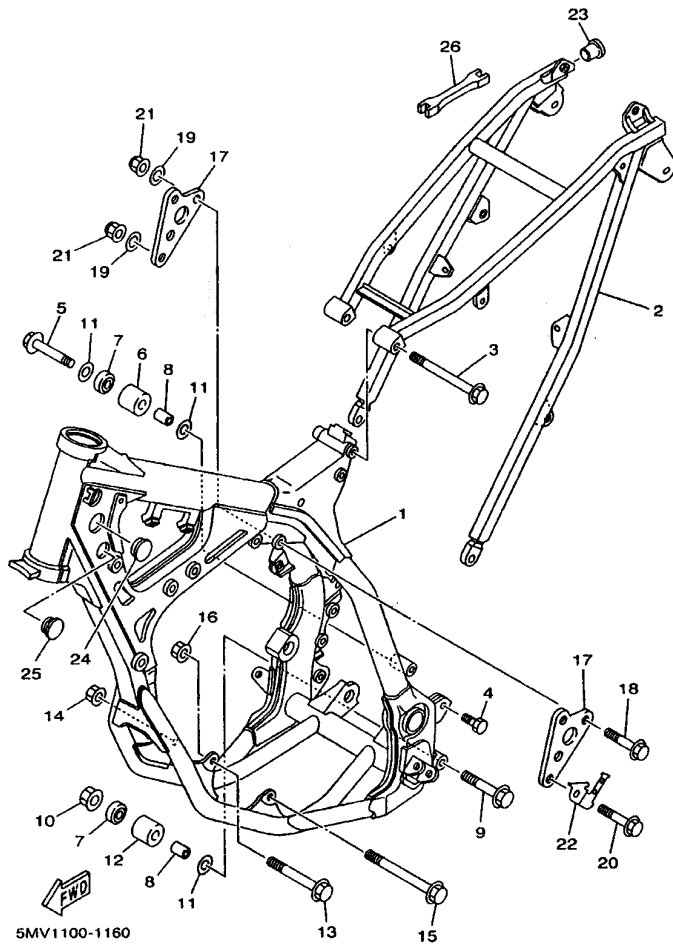
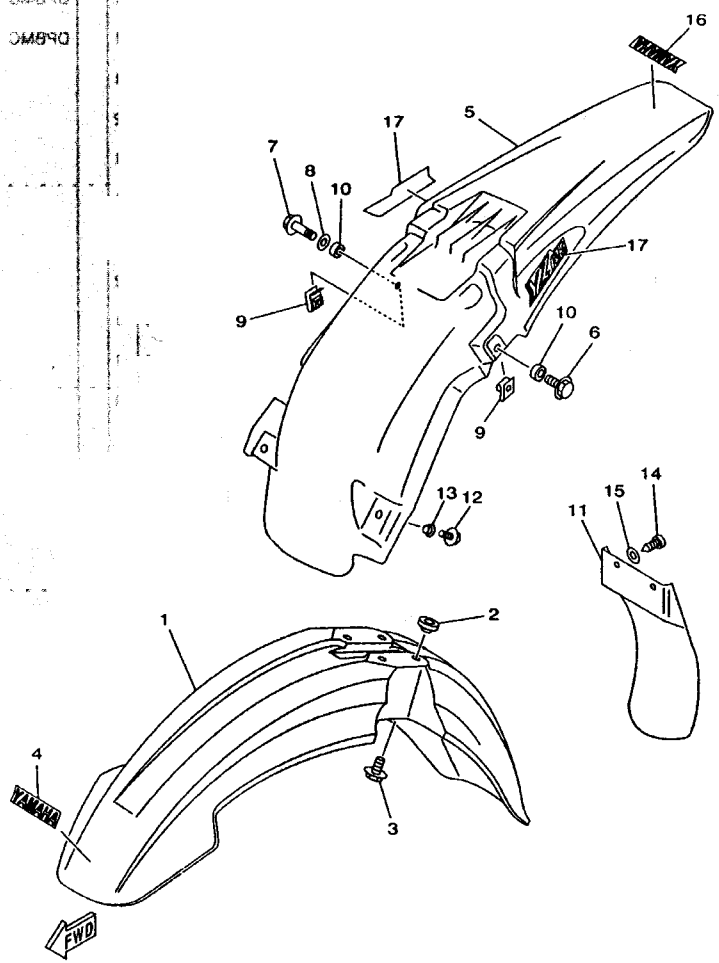


FIG. 16 FRAME

REF. NO.	PART NO.	DESCRIPTION	5MV1	5MV2	5MV3	5MV4	REMARKS
1	5MV-21101-00-P0	FRONT FRAME COMP.	1	1	1	1	DPBMC
2	5HC-21190-00-P0	REAR FRAME COMP.	1	1	1	1	DPBMC
3	90105-08099	BOLT, WASHER BASED	1	1	1	1	
4	90110-08096	BOLT, HEXAGON SOCKET HEAD	2	2	2	2	
5	95027-08040	BOLT, FLANGE	1	1	1	1	
6	4EW-22178-00	TENSIONER	1	1	1	1	
7	93300-60804	BEARING	2	2	2	2	
8	90387-086N4	COLLAR	2	2	2	2	
9	95027-08065	BOLT, FLANGE	1	1	1	1	
10	95707-08500	NUT, FLANGE	1	1	1	1	
11	90201-086P8	WASHER, PLATE	3	3	3	3	
12	3JD-22178-10	TENSIONER	1	1	1	1	
13	95817-10090	BOLT, FLANGE	1	1	1	1	
14	95607-10200	NUT, SELF-LOCKING	1	1	1	1	
15	90105-10733	BOLT, WASHER BASED	1	1	1	1	
16	95607-10200	NUT, SELF-LOCKING	1	1	1	1	
17	4SS-21425-00	BRACKET, REAR UPPER 1	2	2	2	2	
18	95817-08050	BOLT, FLANGE	2	2	2	2	
19	90201-08730	WASHER, PLATE	3	3	3	3	
20	90105-08494	BOLT, WASHER BASED	1	1	1	1	
21	90185-08169	NUT, SELF-LOCKING	3	3	3	3	
22	5DH-21274-00	BRACKET, C.D.I. UNIT	1	1	1	1	
23	90338-16148	PLUG	2	2	2	2	
24	90338-30256	PLUG	2	2	2	2	
25	90338-21145	PLUG	4	4	4	4	
26	5ET-28166-00	WRENCH, HEXAGON	1	1	1	1	

C9

REMARKS	5MV1	5MV2	5MV3	5MV4
DRBMC				
DRBMC				

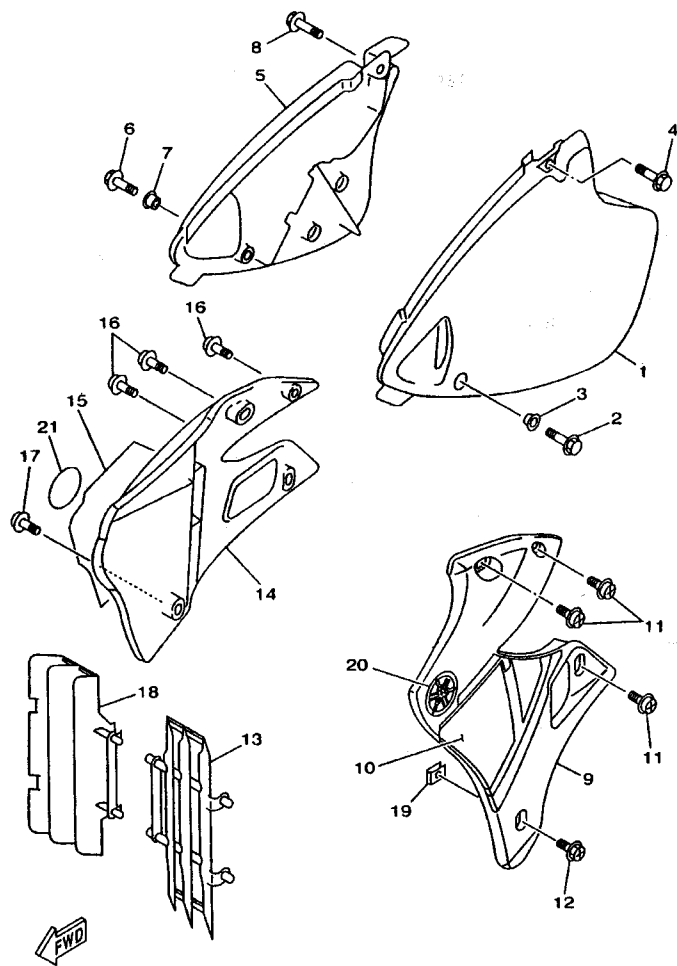


5MV1100-1170

FIG. 17 FENDER

REF. NO.	PART NO.	DESCRIPTION					REMARKS
			5MV1	5MV2	5MV3	5MV4	
1	5HD-21511-00	FENDER, FRONT	1	1	1	1	
2	3JD-21748-00	COLLAR	4	4	4	4	
3	90119-06096	BOLT, WITH WASHER	4	4	4	4	
4	4ES-2153E-01	EMBLEM, YAMAHA	1	1	1	1	
5	5BE-21611-10	FENDER, REAR	1	1	1	1	
6	90119-06192	BOLT, WITH WASHER	1	1	1	1	
7	95027-06030	BOLT, FLANGE	1	1	1	1	
8	90201-06071	WASHER, PLATE	1	1	1	1	
9	90183-06023	NUT, SPRING	2	2	2	2	
10	90387-0701A	COLLAR	2	2	2	2	
11	5BE-21642-00	GUARD, FLAP	1	1	1	1	
12	90119-06225	BOLT, WITH WASHER	2	2	2	2	
13	90387-06009	COLLAR	2	2	2	2	
14	97707-60016	SCREW, TAPPING	2	2	2	2	
15	90201-06557	WASHER, PLATE	2	2	2	2	
16	4ES-2153E-01	EMBLEM, YAMAHA	1	1	1	1	
17	5MV-21781-00	EMBLEM 1	2	2	2	2	

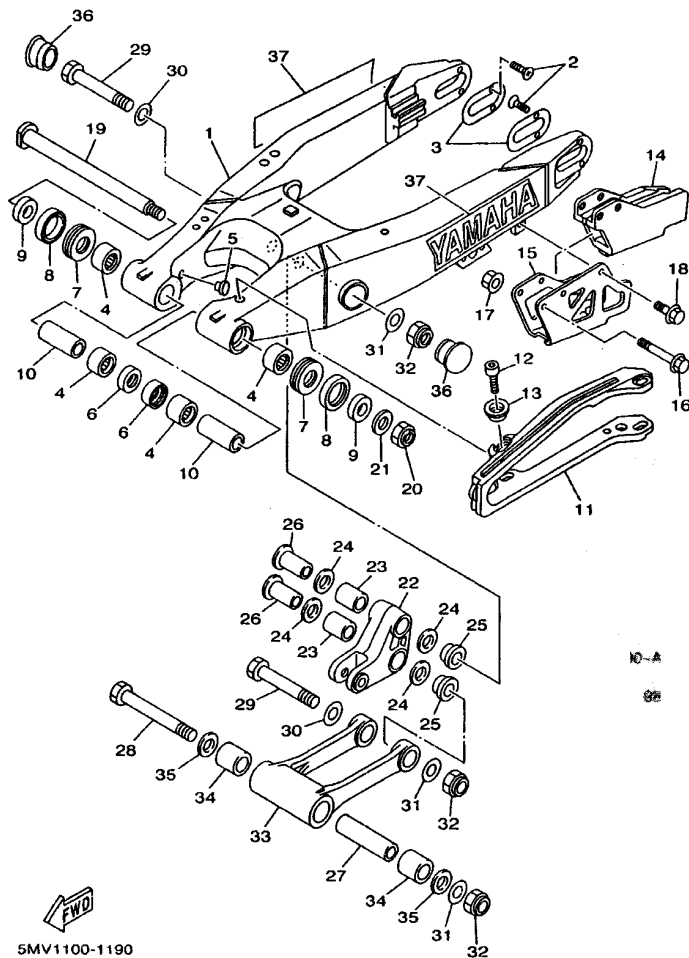
C10



5MV1100-1180

FIG. 18 SIDE COVER

REF. NO.	PART NO.	DESCRIPTION	5MV1	5MV2	5MV3	5MV4	REMARKS
1	4SS-21711-00	COVER, SIDE 1	1	1	1	1	
2	95827-06016	BOLT, FLANGE	1	1	1	1	
3	90387-06009	COLLAR	1	1	1	1	
4	95827-06016	BOLT, FLANGE	1	1	1	1	
5	4SS-21721-00	COVER, SIDE 2	1	1	1	1	
6	95827-06016	BOLT, FLANGE	1	1	1	1	
7	90387-06009	COLLAR	1	1	1	1	
8	95827-06016	BOLT, FLANGE	1	1	1	1	
9	5ET-21730-10	SIDE COVER ASSY 3	1	1	1	1	
10	5MV-2173E-00	GRAPHIC 1	1	1	1	1	
11	90159-06182	SCREW, WITH WASHER	3	3	3	3	
12	90159-06078	SCREW, WITH WASHER	1	1	1	1	
13	4EW-2172A-00	PANEL 1	1	1	1	1	
14	5ET-21740-10	SIDE COVER ASSY 4	1	1	1	1	
15	5MV-2173F-00	GRAPHIC 2	1	1	1	1	
16	90159-06182	SCREW, WITH WASHER	3	3	3	3	
17	90159-06078	SCREW, WITH WASHER	1	1	1	1	
18	4EW-2172A-00	PANEL 1	1	1	1	1	
19	90183-06089	NUT, SPRING	2	2	2	2	
20	5MV-2175C-00	TUNING FORK MARK	1	1	1	1	
21	5MV-2175C-00	TUNING FORK MARK	1	1	1	1	



5MV1100-1190

FIG. 19 REAR ARM

REF. NO.	PART NO.	DESCRIPTION	5MV1	5MV2	5MV3	5MV4	REMARKS
1	5MV-22110-00	REAR ARM COMP.	1	1	1	1	
2	90151-04048	SCREW, COUNTERSUNK	4	4	4	4	
3	5ET-22355-00	PATCH	2	2	2	2	
4	93317-22262	BEARING	4	4	4	4	
5	90338-16148	PLUG	2	2	2	2	
6	93106-22019	OIL SEAL (DC 22-28-8)	2	2	2	2	
7	93342-22217	BEARING	2	2	2	2	
8	93109-28043	OIL SEAL	2	2	2	2	
9	90387-1714R	COLLAR	2	2	2	2	
10	90387-1714S	COLLAR	2	2	2	2	
11	5MV-22151-00	SEAL, GUARD	1	1	1	1	
12	91317-05008	BOLT	4	4	4	4	
13	5JG-22156-00	WASHER, PLATE	4	4	4	4	
14	4XM-22199-00	SUPPORT, CHAIN	1	1	1	1	
15	4XM-22128-00	COVER, THRUST 1	1	1	1	1	
16	95027-06050	BOLT, FLANGE	2	2	2	2	
17	90179-06568	NUT	2	2	2	2	
18	95027-06010	BOLT, FLANGE	1	1	1	1	
19	5DH-22141-00	SHAFT, PIVOT	1	1	1	1	
20	90185-16127	NUT, SELF-LOCKING	1	1	1	1	
21	90201-164H4	WASHER, PLATE	1	1	1	1	
22	5ET-2217A-00	ARM, RELAY	1	1	1	1	
23	93315-32056	BEARING	2	2	2	2	
24	93109-20076	OIL SEAL	4	4	4	4	
25	90387-16005	COLLAR	2	2	2	2	
26	90387-16007	COLLAR	2	2	2	2	
27	90387-167Y9	COLLAR	1	1	1	1	

C12

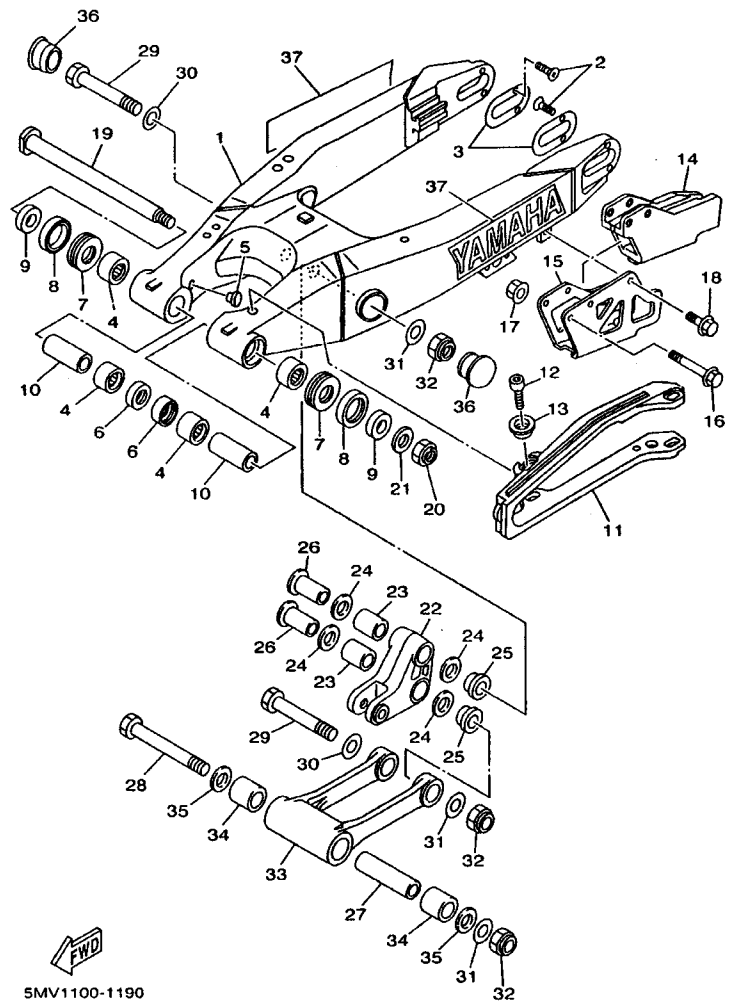


FIG. 19 REAR ARM

REF. NO.	PART NO.	DESCRIPTION	5MV1	5MV2	5MV3	5MV4	REMARKS
28	90109-147F2	BOLT	1	1	1	1	
29	90109-142F4	BOLT	2	2	2	2	
30	90201-164H4	WASHER, PLATE	2	2	2	2	
31	90201-14740	WASHER, PLATE	3	3	3	3	
32	90185-14112	NUT, SELF-LOCKING	3	3	3	3	
33	5DH-2217F-01	ROD, CONNECTING 1	1	1	1	1	
34	93315-32056	BEARING	2	2	2	2	
35	93109-20076	OIL SEAL	2	2	2	2	
36	5HD-2135F-00	COVER	2	2	2	2	
37	99244-00200	EMBLEM, YAMAHA	2	2	2	2	

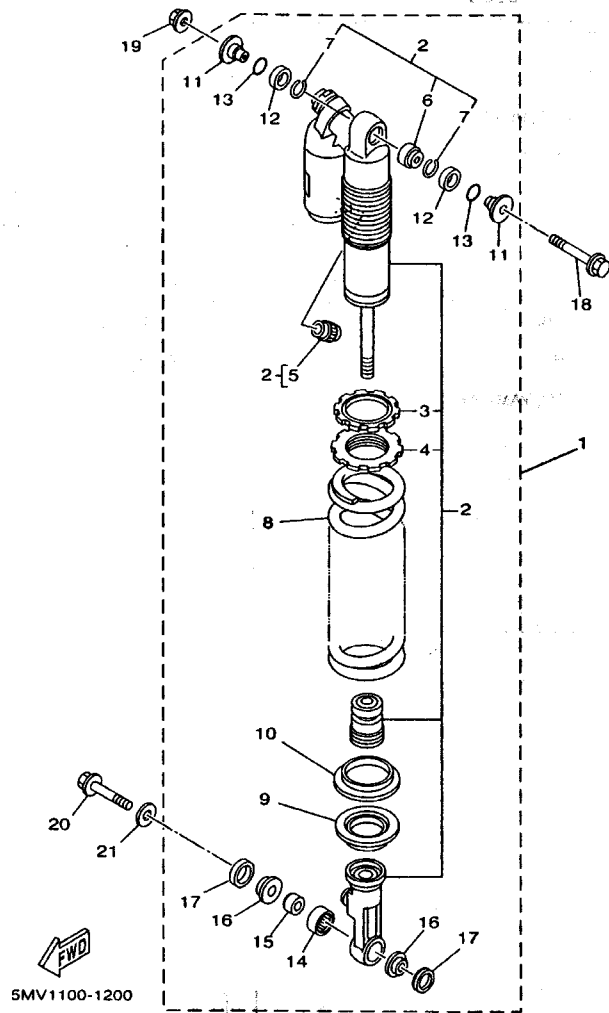


FIG. 20 REAR SUSPENSION

REF. NO.	PART NO.	DESCRIPTION	SMV1	SMV2	SMV3	SMV4	REMARKS
1	5MV-22210-00	SHOCK ABSORBER ASSY, REAR	1				UR EXCEPT FOR CAN,ZAF UR FOR CAN
	5MV-22210-30	SHOCK ABSORBER ASSY, REAR	1				
	5MV-22210-40	SHOCK ABSORBER ASSY, REAR	1			1	
	5MV-22210-10	SHOCK ABSORBER ASSY, REAR		1			
	5MV-22210-20	SHOCK ABSORBER ASSY, REAR			1		
2	5MV-22201-00	.DAMPER SUB ASSY	1				UR EXCEPT FOR CAN,ZAF UR FOR CAN
	5MV-22201-30	.DAMPER SUB ASSY	1				
	5MV-22201-40	.DAMPER SUB ASSY	1			1	
	5MV-22201-10	.DAMPER SUB ASSY		1			
	5MV-22201-20	.DAMPER SUB ASSY			1		
3	3SP-22234-00	..GUIDE, SPRING 3	1	1	1	1	
4	3SP-22213-00	..SEAT, SPRING UPPER	1	1	1	1	
5	509-23184-L0	..CAP, AIR VALVE	1	1	1	1	
6	4JX-22226-00	..BUSH, SHOCK ABSORBER LOWER	1	1	1	1	
7	5DH-23183-00	..CIRCLIP	2	2	2	2	
8	5DH-22212-10	.SPRING (K=4.6)	1			1	
	5ET-22212-00	.SPRING (K=APPROX.4.8)		1			
	5ET-22212-10	.SPRING (K=APPROX.5.0)			1		
9	5DH-22214-00	.GUIDE, SPRING 1	1	1	1	1	
10	5MV-22224-00	.GUIDE, SPRING 2	1	1	1	1	
11	5DH-22253-00	..COLLAR, DISTANCE	2	2	2	2	
12	3JE-22475-00	.SEAL, DUST	2	2	2	2	
13	4EW-22474-00	.SEAL, RING	2	2	2	2	
14	5MV-22176-00	.BEARING	1	1	1	1	
15	5MV-22184-00	.BUSH	1	1	1	1	
16	5MV-22253-00	..COLLAR, DISTANCE	2	2	2	2	
17	5MV-22475-00	.SEAL, DUST	2	2	2	2	

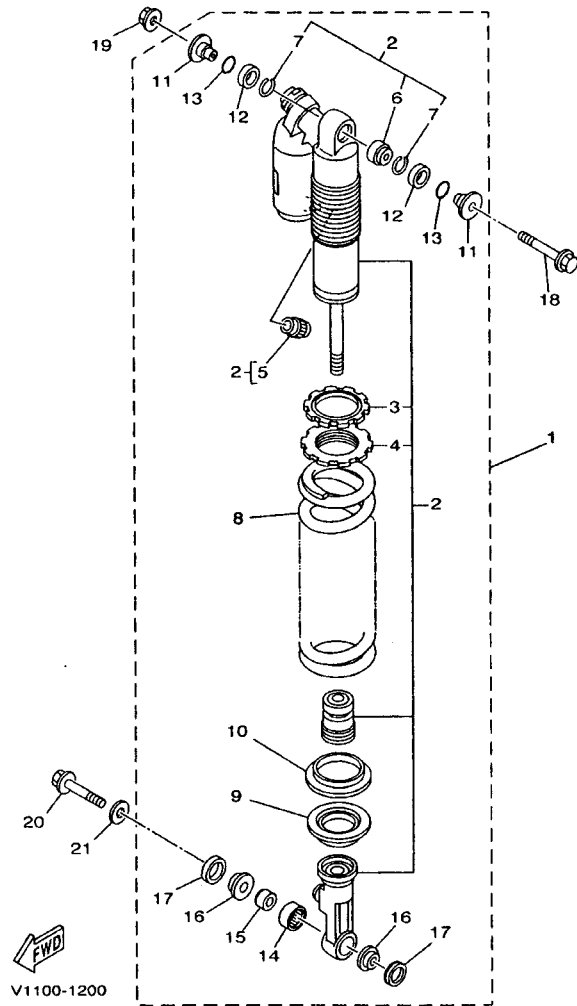
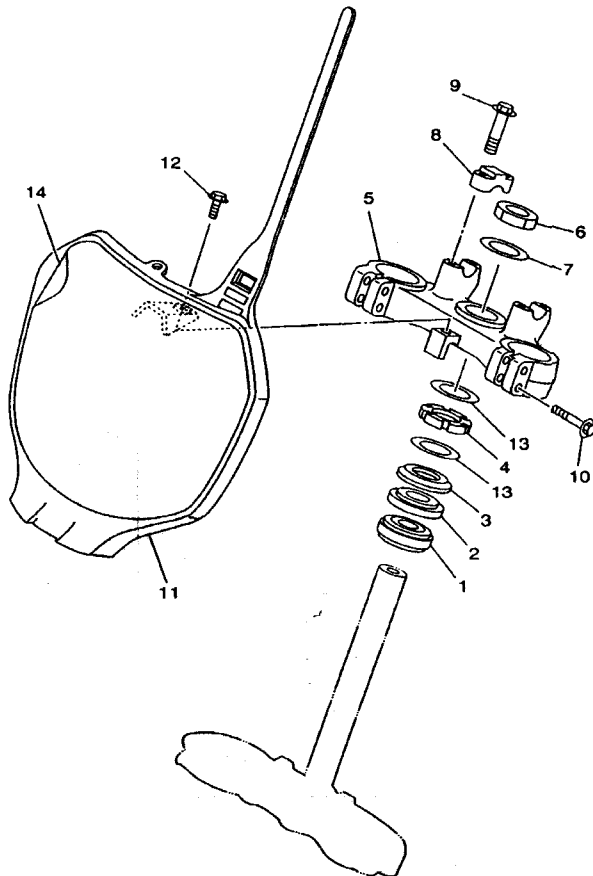


FIG. 20 REAR SUSPENSION

REF. NO.	PART NO.	DESCRIPTION	SMV1	SMV2	SMV3	SMV4	REMARKS
18	90105-10323	BOLT, WASHER BASED	1	1	1	1	
19	95607-10200	NUT, SELF-LOCKING	1	1	1	1	
20	90105-105A2	BOLT, WASHER BASED	1	1	1	1	
21	90201-112U6	WASHER, PLATE	1	1	1	1	



5HD1100-0210

FIG. 21 STEERING

REF. NO.	PART NO.	DESCRIPTION	SMV1	SMV2	SMV3	SMV4	REMARKS
1	93332-00081	BEARING	1	1	1	1	
2	93332-00068	BEARING	1	1	1	1	
3	4EW-23416-00	COVER, BALL RACE 2	1	1	1	1	
4	90179-28650	NUT	1	1	1	1	
5	5HC-23435-00	CROWN, HANDLE			1	1	
	5HC-23435-11	CROWN, HANDLE	1				
6	90170-24373	NUT	1	1	1	1	
7	90201-247L2	WASHER, PLATE	1	1	1	1	
8	3SP-23441-00	HOLDER, HANDLE UPPER	2	2	2	2	
9	95027-08035	BOLT, FLANGE	4	4	4	4	
10	95027-08040	BOLT, FLANGE	4	4	4	4	
11	5HD-23485-10	PLATE, NUMBER	1	1	1	1	
12	90119-06225	BOLT, WITH WASHER	1	1	1	1	
13	90201-286K9	WASHER, PLATE	2	2	2	2	
14	5HD-2339E-00	GRAPHIC 1	1	1	1	1	

D2

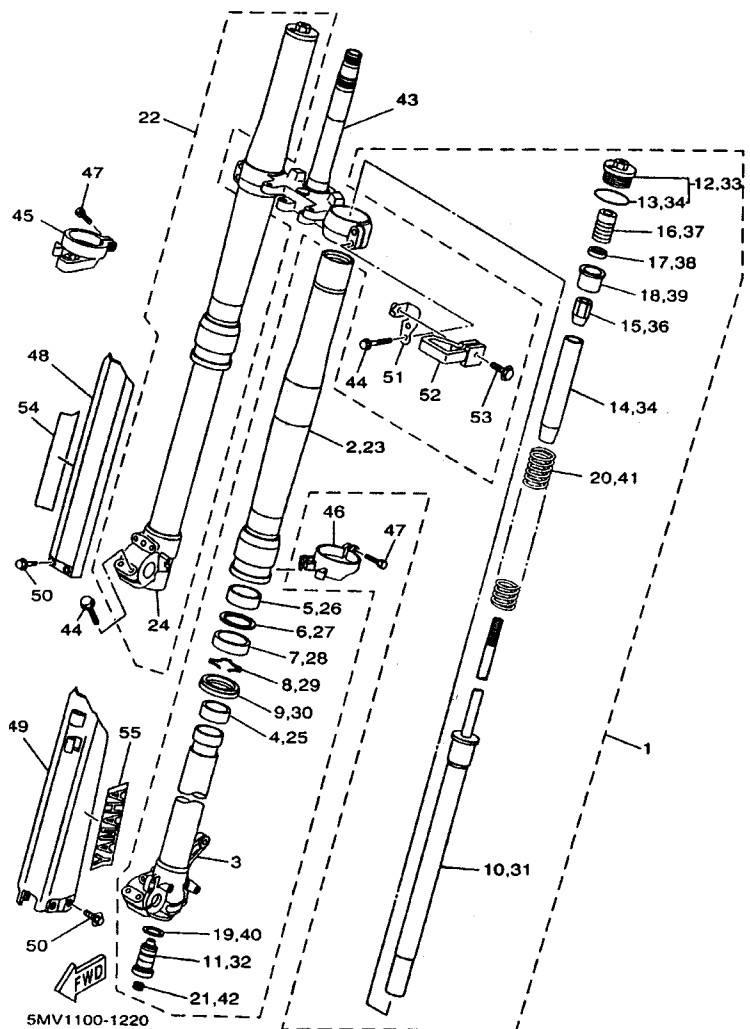


FIG. 22 FRONT FORK

REF. NO.	PART NO.	DESCRIPTION	5MV1	5MV2	5MV3	5MV4	REMARKS
1	5MV-23102-00	FRONT FORK ASSY (L.H)	1			1	
	5MV-23102-10	FRONT FORK ASSY (L.H)		1			
	5MV-23102-20	FRONT FORK ASSY (L.H)			1		
2	5HD-23136-L0	.TUBE, OUTER (RIGHT)	1	1	1	1	
3	5DH-23120-L0	.INNER TUBE COMP.2	1	1	1	1	
4	5ET-23171-L0	.PISTON, FRONT FORK	1	1	1	1	
5	5ET-23125-L0	.METAL, SLIDE 1	1	1	1	1	
6	4SS-23146-L0	.WASHER, OIL SEAL	1	1	1	1	
7	5ET-23145-L0	.OIL SEAL	1	1	1	1	
8	4SS-23153-L0	.RING, SNAP	1	1	1	1	
9	5HD-23144-L0	.SEAL, DUST	1	1	1	1	
10	5MV-23170-L0	.CYLINDER COMP., FRONT FORK	1	1	1	1	
11	5MV-2316A-L0	.VALVE COMP.	1			1	
	5MV-2316A-M0	.VALVE COMP.		1	1		
12	5MV-23111-L0	.BOLT, CAP	1	1	1	1	
13	93210-42263	.O-RING	1	1	1	1	
14	5DH-23142-L0	.SEAT, SPRING UPPER	1	1	1	1	
15	5HD-23393-L0	.NUT, SPECIAL	1	1	1	1	
16	5MV-23195-L0	.RUBBER	1			1	
	5DH-23195-L0	.RUBBER		1	1		
17	5DH-23149-L0	.WASHER, SPRING UPPER	1	1	1	1	
18	5DH-23118-L0	.SPACER	1	1	1	1	
19	4SS-23158-L0	.GASKET	1	1	1	1	
20	4XM-23141-L0	.SPRING, FRONT FORK (K=0.41)	1		1	1	
	5ET-23141-L0	.SPRING (K=APPROX.0.41)		1			
21	3JD-2312G-L0	.PLUG	1	1	1	1	
22	5MV-23103-00	FRONT FORK ASSY (R.H)	1			1	

D3

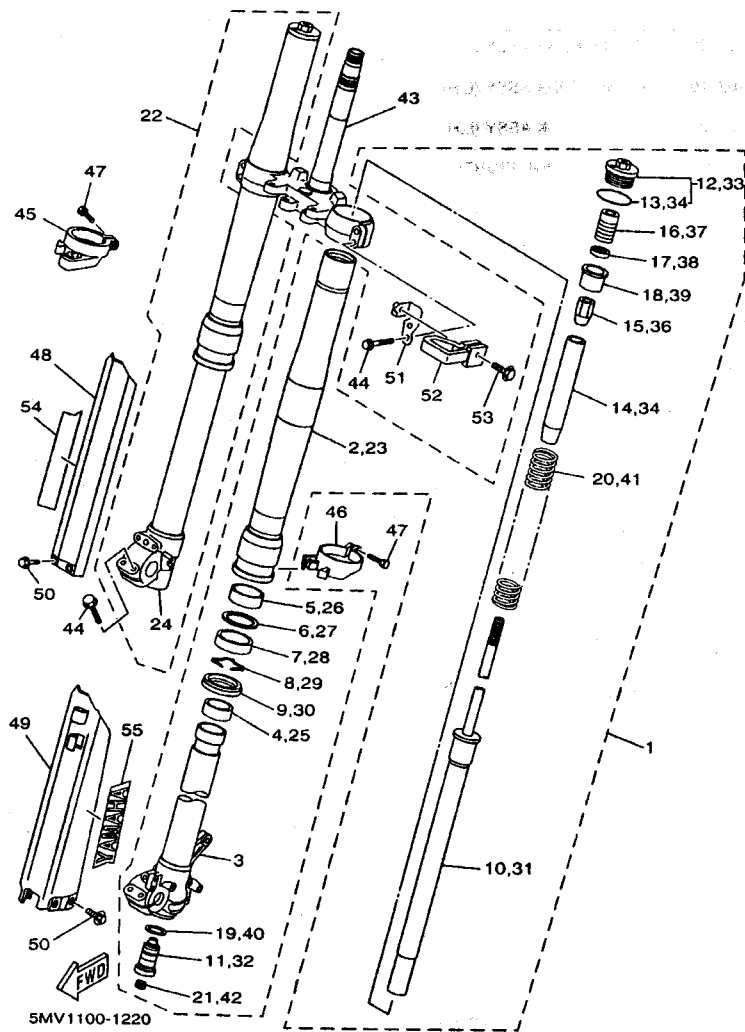


FIG. 22 FRONT FORK

REF. NO.	PART NO.	DESCRIPTION	5MV1	5MV2	5MV3	5MV4	REMARKS
22	5MV-23103-10	FRONT FORK ASSY (R.H)		1			
	5MV-23103-20	FRONT FORK ASSY (R.H)			1		
23	5HD-23136-L0	.TUBE, OUTER (RIGHT)	1	1	1	1	
24	5BF-23110-L0	.INNER TUBE COMP.1	1	1	1	1	
25	5ET-23171-L0	.PISTON, FRONT FORK	1	1	1	1	
26	5ET-23125-L0	.METAL, SLIDE 1	1	1	1	1	
27	4SS-23146-L0	.WASHER, OIL SEAL	1	1	1	1	
28	5ET-23145-L0	.OIL SEAL	1	1	1	1	
29	4SS-23153-L0	.RING, SNAP	1	1	1	1	
30	5HD-23144-L0	.SEAL, DUST	1	1	1	1	
31	5MV-23170-L0	.CYLINDER COMP., FRONT FORK	1	1	1	1	
32	5MV-2316A-L0	.VALVE COMP.	1			1	
	5MV-2316A-M0	.VALVE COMP.		1	1		
33	5MV-23111-L0	.BOLT, CAP	1	1	1	1	
34	93210-42263	.O-RING	1	1	1	1	
35	5DH-23142-L0	.SEAT, SPRING UPPER	1	1	1	1	
36	5HD-23393-L0	.NUT, SPECIAL	1	1	1	1	
37	5MV-23195-L0	.RUBBER	1			1	
	5DH-23195-L0	.RUBBER		1	1		
38	5DH-23149-L0	.WASHER, SPRING UPPER	1	1	1	1	
39	5DH-23118-L0	.SPACER	1	1	1	1	
40	4SS-23158-L0	.GASKET	1	1	1	1	
41	4XM-23141-L0	.SPRING, FRONT FORK (K=0.41)	1	1	1	1	
	5ET-23141-L0	.SPRING (K=APPROX.0.41)		1			
42	3JD-2312G-L0	.PLUG	1	1	1	1	
43	5DH-23340-M0	.UNDER BRACKET COMP.	1	1	1	1	
44	5MV-23346-L0	BOLT 1	8	8	8	8	

D4

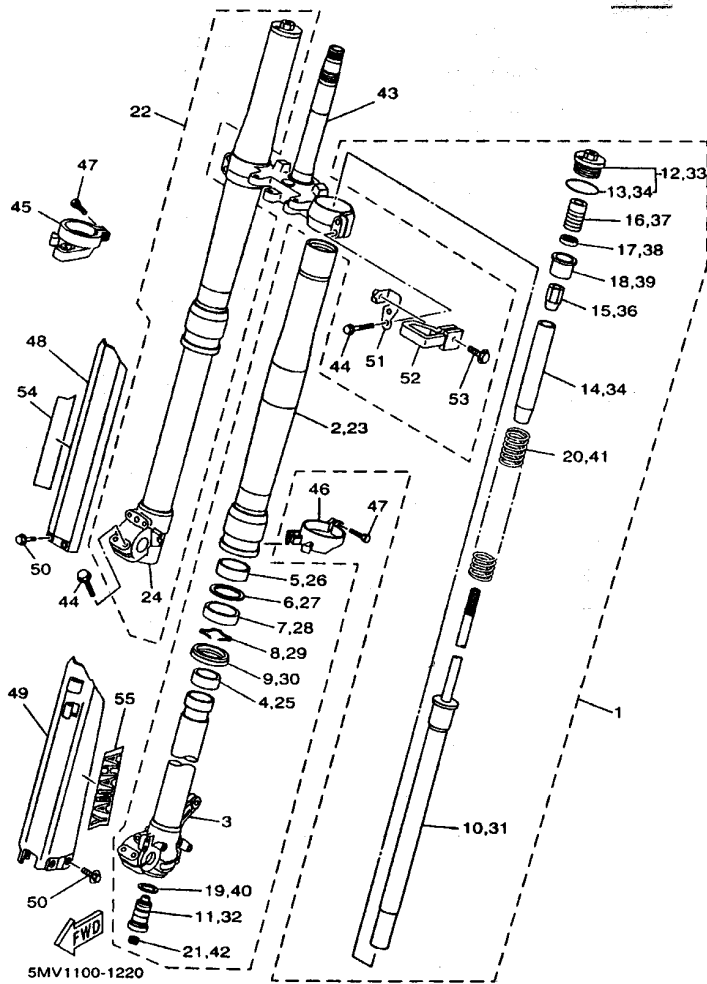
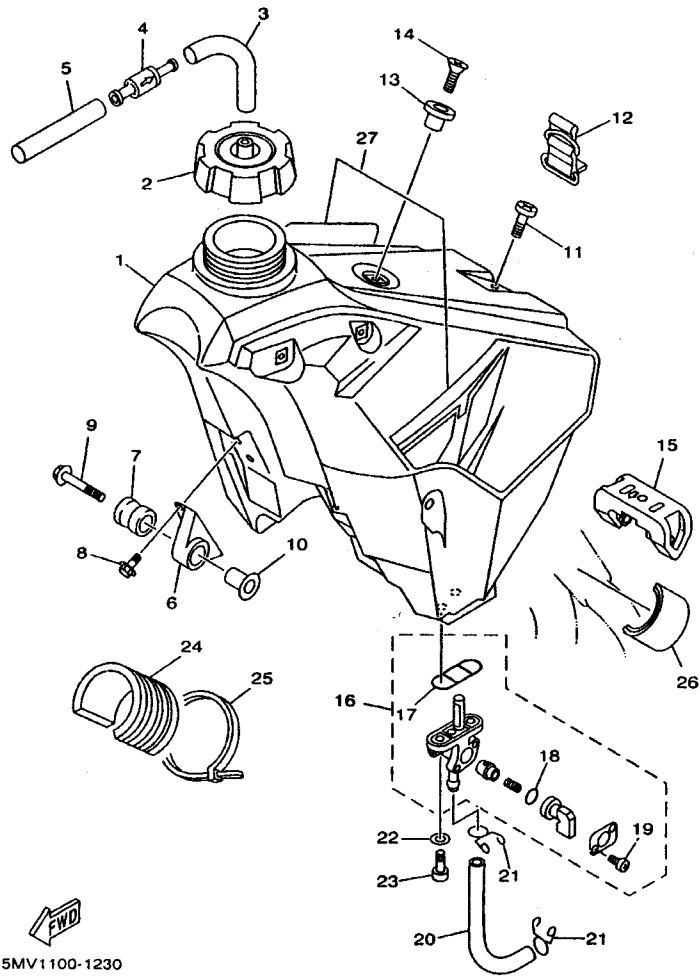


FIG. 22 FRONT FORK

REF. NO.	PART NO.	DESCRIPTION	5MV1	5MV2	5MV3	5MV4	REMARKS
45	4SS-2314G-L0	PROTECTOR GUIDE COMP., 2	1	1	1	1	
46	5DH-2314F-L0	PROTECTOR GUIDE COMP., 1	1	1	1	1	
47	4SS-23346-L0	BOLT 1	2	2	2	2	
48	5DH-2314J-00	PROTECTOR COMP., 2	1	1	1	1	
49	5DH-2314H-00	PROTECTOR COMP., 1	1	1	1	1	
50	3SP-23356-L0	BOLT 2	6	6	6	6	
51	4EW-2331E-L1	GUIDE, CABLE	1	1	1	1	
52	4DA-23389-00	GUIDE, CABLE	1	1	1	1	
53	90119-05071	BOLT, WITH WASHER	1	1	1	1	
54	4XL-2153A-10	EMBLEM, YAMAHA	1	1	1	1	
55	4XL-2153A-10	EMBLEM, YAMAHA	1	1	1	1	

D5



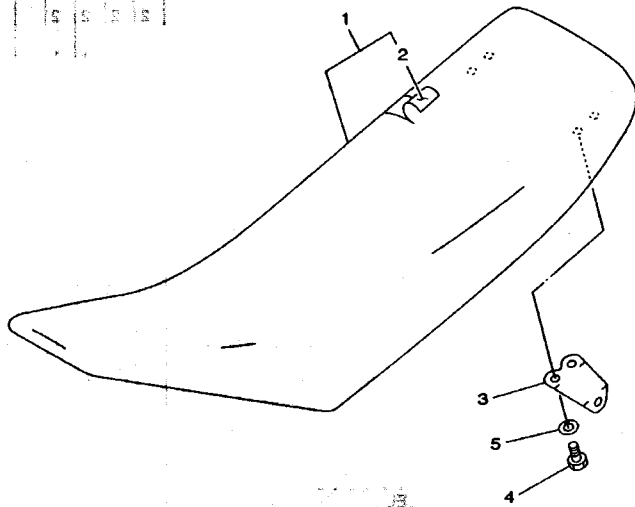
5MV1100-1230

FIG. 23 FUEL TANK

REF. NO.	PART NO.	DESCRIPTION					REMARKS
			5MV1	5MV2	5MV3	5MV4	
1	5MV-24110-00	FUEL TANK COMP.	1	1	1	1	
2	5MV-24610-00	CAP ASSY	1	1	1	1	
3	90445-09220	HOSE	1	1	1	1	
4	3XJ-24380-00	PIPE JOINT ASSY	1	1	1	1	
5	90445-09104	HOSE (L300)	1	1	1	1	
6	24X-24144-00	HOLDER, DAMPER	2	2	2	2	
7	90480-18549	GROMMET	2	2	2	2	
8	95027-06016	BOLT, FLANGE	4	4	4	4	
9	90119-06214	BOLT, WITH WASHER	2	2	2	2	
10	3JD-24186-00	WASHER, SPECIAL	2	2	2	2	
11	98907-06020	SCREW, BIND	1	1	1	1	
12	3SP-24173-00	BAND, TANK FITTING 1	1	1	1	1	
13	4EW-2412F-00	BRACKET, SEAT	1	1	1	1	
14	98707-06025	SCREW, FLAT HEAD	1	1	1	1	
15	4SS-24181-00	DAMPER, LOCATING 1	1	1	1	1	
16	3JD-24500-01	FUEL COCK ASSY 1	1	1	1	1	
17	4X8-24512-00	.O-RING	1	1	1	1	
18	3AJ-24534-00	.SEAL, COCK	1	1	1	1	
19	97801-03008	.SCREW, PAN HEAD	2	2	2	2	
20	90445-114J7	HOSE (L155)	1	1	1	1	
21	90467-10008	CLIP	2	2	2	2	
22	90202-05193	WASHER, PLATE	2	2	2	2	
23	90149-06011	SCREW	2	2	2	2	
24	4SS-24182-00	DAMPER, LOCATING 2	1	1	1	1	
25	90465-13275	CLAMP	1	1	1	1	
26	3V6-22358-00	SEAL 1	2	2	2	2	
27	5MV-24240-00	GRAPHIC SET	1	1	1	1	

D6

REMARKS	QTY	UNIT	DESCRIPTION	REF. NO.
	1	EA	SEMI-DOUBLE SEAT ASSY	1
	1	EA	COVER, SEAT	2
	1	EA	BRACKET, SEAT	3
	4	EA	BOLT	4
	4	EA	WASHER, SPRING	5



4SS1100-6240

FIG. 24 SEAT

REF. NO.	PART NO.	DESCRIPTION	5MV1	5MV2	5MV3	5MV4	REMARKS
1	5MV-24770-00	SEMI-DOUBLE SEAT ASSY	1	1	1	1	
2	5MV-24731-00	COVER, SEAT	1	1	1	1	
3	4SS-24728-00	BRACKET, SEAT	2	2	2	2	
4	97007-06012	BOLT	4	4	4	4	
5	92907-06100	WASHER, SPRING	4	4	4	4	

D7

TA:

ON TRAF

00-0TTM

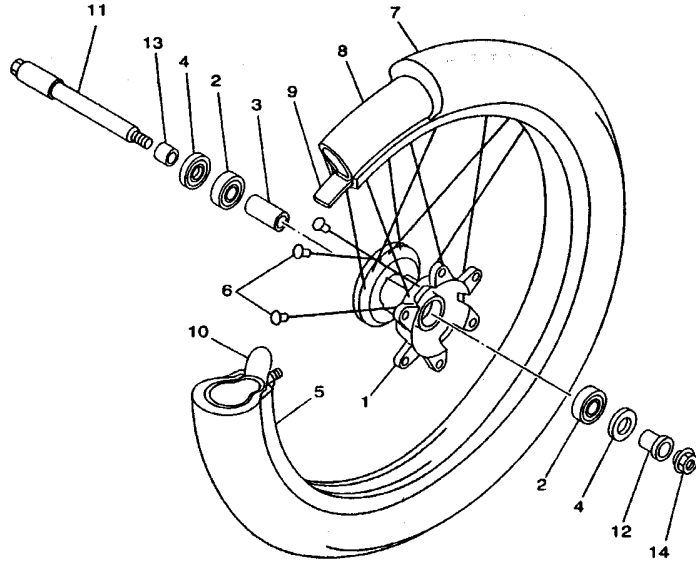


FIG. 25 FRONT WHEEL

REF. NO.	PART NO.	DESCRIPTION	SMV1	SMV2	SMV3	SMV4	REMARKS
1	4SS-25111-01	HUB, FRONT	1	1	1	1	
2	93306-90403	BEARING	2	2	2	2	
3	5DH-25117-00	SPACER, BEARING	1	1	1	1	
4	93102-26468	OIL SEAL	2	2	2	2	
5	94416-21613	RIM (1.60-21)	1	1	1	1	
6	4DA-25104-00	SPOKE SET, FRONT	1	1	1	1	
7	94108-21011	TIRE (80/100-21 51M D739FA)	1			1	UR DUNLOP
	94108-2112Y	TIRE (80/100-21 51M D755F)	1	1			UR DUNLOP FOR CANADA
	94108-2110Y	TIRE (80/100-21 51M M77)			1		BRIDGESTONE
8	94227-21101	TUBE (80/100-21 TR4 BTL)	1	1		1	DUNLOP
	94209-21229	TUBE (80/100C-21 TR4)				1	BRIDGESTONE
9	94309-21161	BAND, RIM (70-80/100-21)	1	1		1	DUNLOP
	94330-21084	BAND, RIM (3.00-21)				1	BRIDGESTONE
10	2J5-25394-01	SPACER, BEAD	1	1	1	1	
11	5BE-25181-00	AXLE, WHEEL	1	1	1	1	
12	5DH-25183-00	COLLAR, WHEEL	1	1	1	1	
13	5BE-25186-00	COLLAR, WHEEL	1	1	1	1	
14	90179-16672	NUT	1	1	1	1	



5ET1100-9250

De

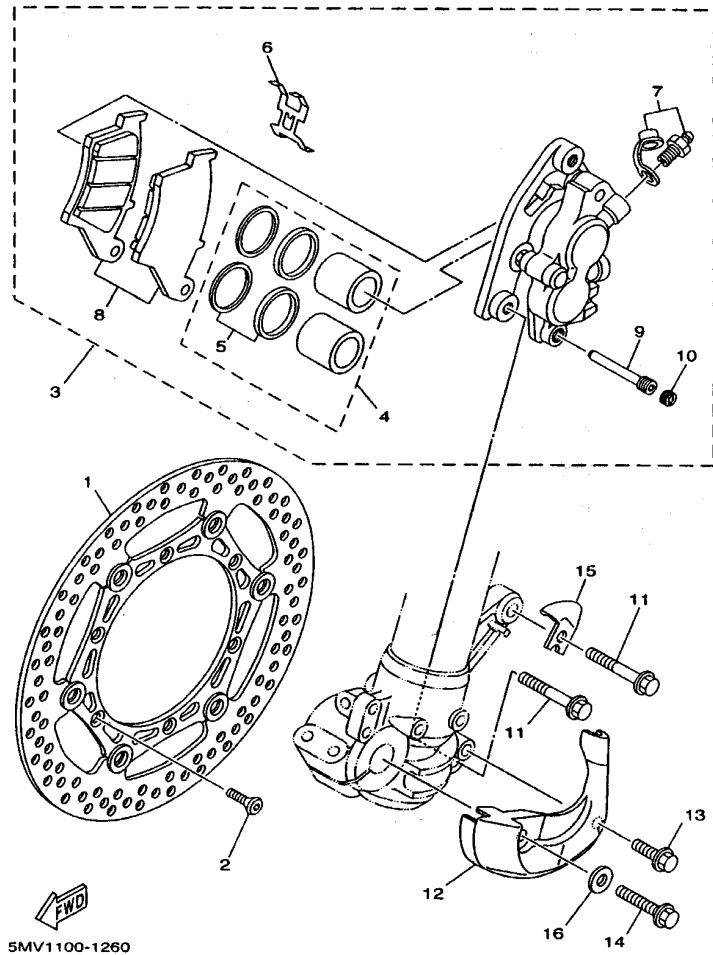


FIG. 26 FRONT BRAKE CALIPER

REF. NO.	PART NO.	DESCRIPTION	5MV1	5MV2	5MV3	5MV4	REMARKS
1	5MV-2581T-00	DISC BRAKE ASSY	1	1	1	1	
2	90149-06327	SCREW	6	6	6	6	
3	5MV-2580T-00	CALIPER ASSY (LEFT)	1		1	1	
	5MV-2580T-10	CALIPER ASSY (LEFT)		1			
4	4EW-W0057-00	.PISTON ASSY, CALIPER	1	1	1	1	
5	3JD-W0047-00	.CALIPER SEAL KIT	1	1	1	1	
6	5DH-25919-00	.SUPPORT, PAD	1	1	1	1	
7	1UY-W0048-50	.BLEED SCREW KIT	1	1	1	1	
8	5DH-W0045-10	.BRAKE PAD KIT	1		1	1	
	5MV-W0045-00	.BRAKE PAD KIT		1			
9	5DH-25933-00	.PIN, PAD	1	1	1	1	
10	5DH-25916-00	.PLUG	1	1	1	1	
11	90105-08659	BOLT, WASHER BASED	2	2	2	2	
12	5DH-2314E-00	CÓVER, HOSE	1	1	1	1	
13	95827-06012	BOLT, FLANGE	1	1	1	1	
14	95027-08020	BOLT, FLANGE	1	1	1	1	
15	5DH-25875-00	HOLDER, BRAKE HOSE 1	1	1	1	1	
16	92907-08200	WASHER	1	1	1	1	

D9

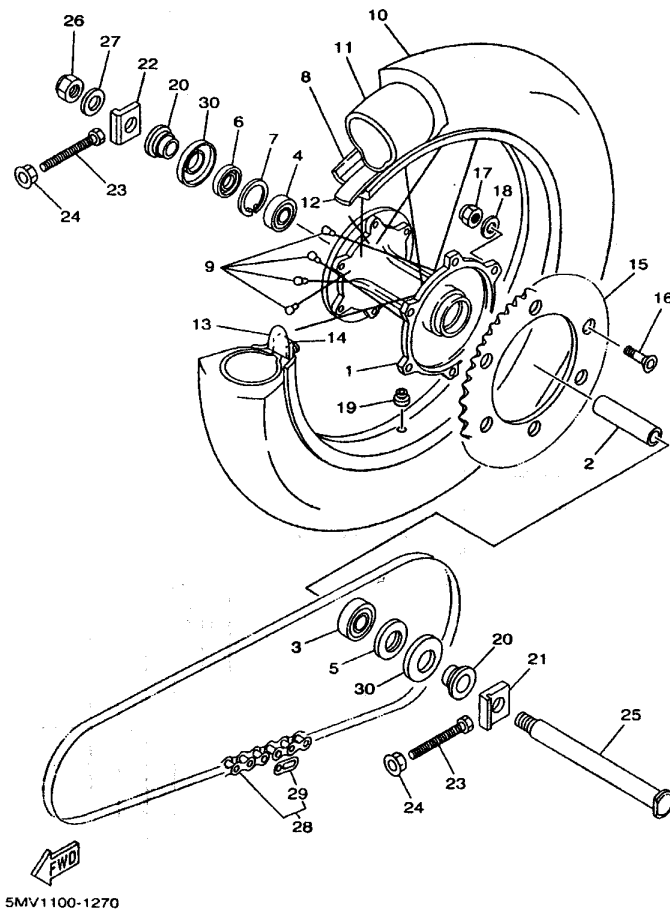
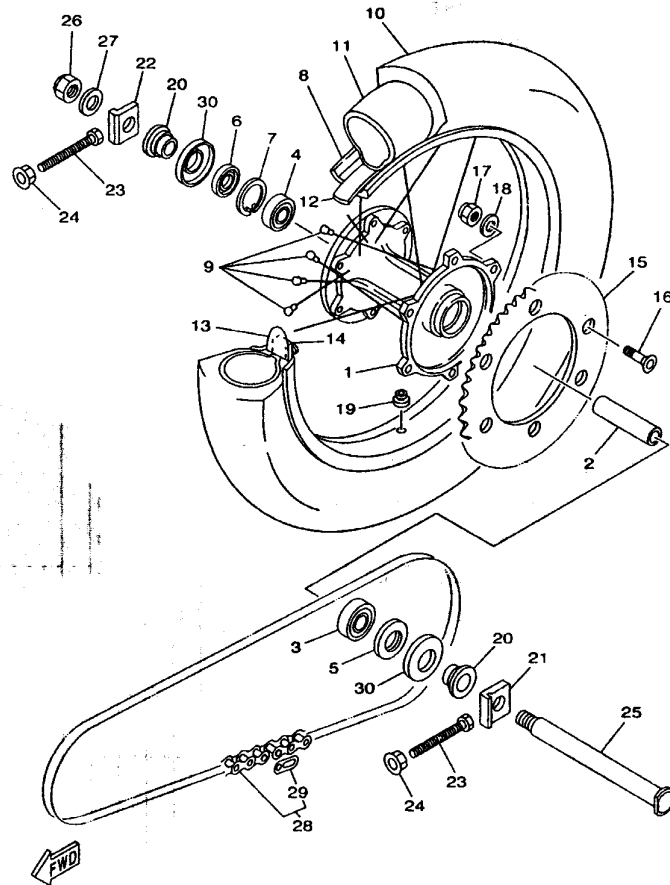


FIG. 27 REAR WHEEL

REF. NO.	PART NO.	DESCRIPTION	5MV1	5MV2	5MV3	5MV4	REMARKS
1	5ET-25311-00	HUB, REAR	1	1	1	1	
2	5ET-25317-00	SPACER, BEARING	1	1	1	1	
3	93306-27205	BEARING	1	1	1	1	
4	93306-07202	BEARING	1	1	1	1	
5	93106-30044	OIL SEAL	1	1	1	1	
6	93106-30045	OIL SEAL	1	1	1	1	
7	99009-45500	CIRCLIP	1	1	1	1	
8	94418-19601	RIM (1.85-19)	1	1	1	1	
9	5HD-25304-00	SPOKE SET, REAR	1	1	1	1	
10	94110-1913B	TIRE (100/90-19 D755)	1	1			UR DUNLOP
	94110-1916A	TIRE (100/90-19 D739)	1			1	UR DUNLOP FOR CANADA BRIDGESTONE
	94110-1911A	TIRE (100/90-19 57M M78A)				1	BRIDGESTONE
11	94210-19224	TUBE(100/90-19 TR4 BTL)	1	1		1	DUNLOP
	94210-19222	TUBE(3.25-19)				1	BRIDGESTONE
12	94321-19135	BAND, RIM (90-100/90-19)	1	1		1	DUNLOP
	94316-19156	BAND, RIM (1.85-19)				1	BRIDGESTONE
13	4XM-25394-00	SPACER, BEAD	1	1	1	1	
14	4XM-25364-00	DAMPER	1	1	1	1	
15	5ET-25448-00	SPROCKET, DRIVEN (48T)	1	1	1	1	STD
	5ET-25447-00	SPROCKET, DRIVEN (47T)	1	1	1	1	AP
	5ET-25449-00	SPROCKET, DRIVEN (49T)	1	1	1	1	AP
	5ET-25450-00	SPROCKET, DRIVEN (50T)	1	1	1	1	AP
	5ET-25451-00	SPROCKET, DRIVEN (51T)	1	1	1	1	AP
	5ET-25452-00	SPROCKET, DRIVEN (52T)	1	1	1	1	AP
16	90109-081G1	BOLT	6	6	6	6	
17	90185-08169	NUT, SELF-LOCKING	6	6	6	6	
18	90201-08326	WASHER, PLATE	6	6	6	6	

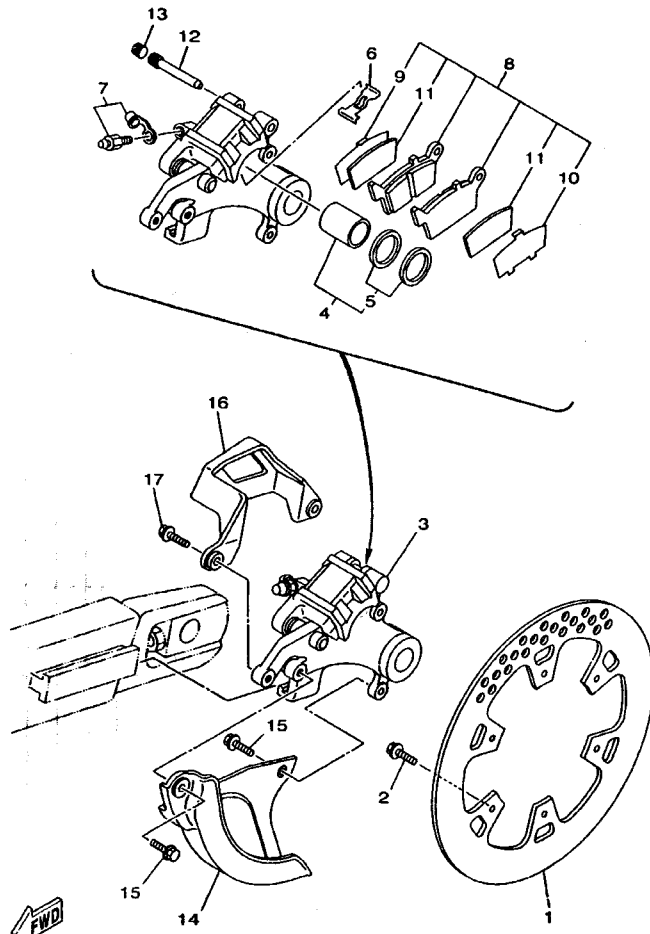
D10



5MV1100-1270

FIG. 27 REAR WHEEL

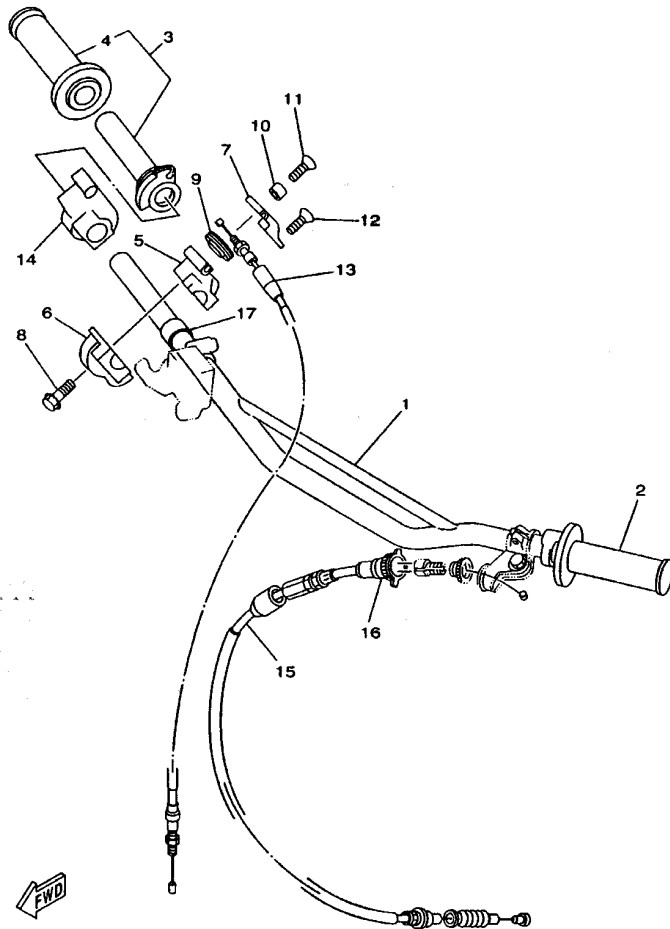
REF. NO.	PART NO.	DESCRIPTION	5MV1	5MV2	5MV3	5MV4	REMARKS
19	90480-08608	GROMMET	1	1	1	1	
20	5ET-25383-00	COLLAR, WHEEL	2	2	2	2	
21	5ET-25388-00	PULLER, CHAIN 1	1	1	1	1	
22	5ET-25389-00	PULLER, CHAIN 2	1	1	1	1	
23	90101-08777	BOLT	2	2	2	2	
24	90179-08299	NUT	2	2	2	2	
25	5ET-25381-00	AXLE, WHEEL	1	1	1	1	
26	90185-20168	NUT, SELF-LOCKING	1	1	1	1	
27	90201-203U1	WASHER, PLATE	1	1	1	1	
28	94581-92112	CHAIN	1	1		1	
	9Y581-92111	CHAIN			1		
29	94681-68001	JOINT, CHAIN	1	1	1	1	
30	5ET-25367-00	COVER, HUB DUST	2	2	2	2	



5ET1100-9280

FIG. 28 REAR BRAKE CALIPER

REF. NO.	PART NO.	DESCRIPTION					REMARKS
			5MV1	5MV2	5MV3	5MV4	
1	5DH-2582W-00	DISC, REAR BRAKE 2	1	1	1	1	
2	90109-065G4	BOLT	6	6	6	6	
3	5ET-2580W-00	CALIPER ASSY, REAR 2	1		1	1	
	5MV-2580W-00	CALIPER ASSY, REAR 2		1			
4	5ET-W0057-50	.PISTON ASSY, CALIPER	1	1	1	1	
5	5ET-W0047-50	.CALIPER SEAL KIT	1	1	1	1	
6	5DH-25919-50	.SUPPORT, PAD	1	1	1	1	
7	1UY-W0048-50	.BLEED SCREW KIT	1	1	1	1	
8	5ET-W0046-00	.BRAKE PAD KIT 2	1		1	1	
	5MV-W0046-00	.BRAKE PAD KIT 2		1			
9	5DH-25828-50	.SHIM, CALIPER	1	1	1	1	
10	5DH-25827-50	.SHIM, CALIPER	1	1	1	1	
11	5DH-22898-50	.INSULATOR, HEAT	2	2	2	2	
12	8CR-25924-00	.PIN, PAD	1	1	1	1	
13	5DH-25916-00	.PLUG	1	1	1	1	
14	5DH-25718-01	PROTECTOR, DISK BRAKE	1	1	1	1	
15	95027-06012	BOLT, FLANGE	2	2	2	2	
16	4GY-27491-00	PROTECTOR	1	1	1	1	
17	95027-06016	BOLT, FLANGE	2	2	2	2	

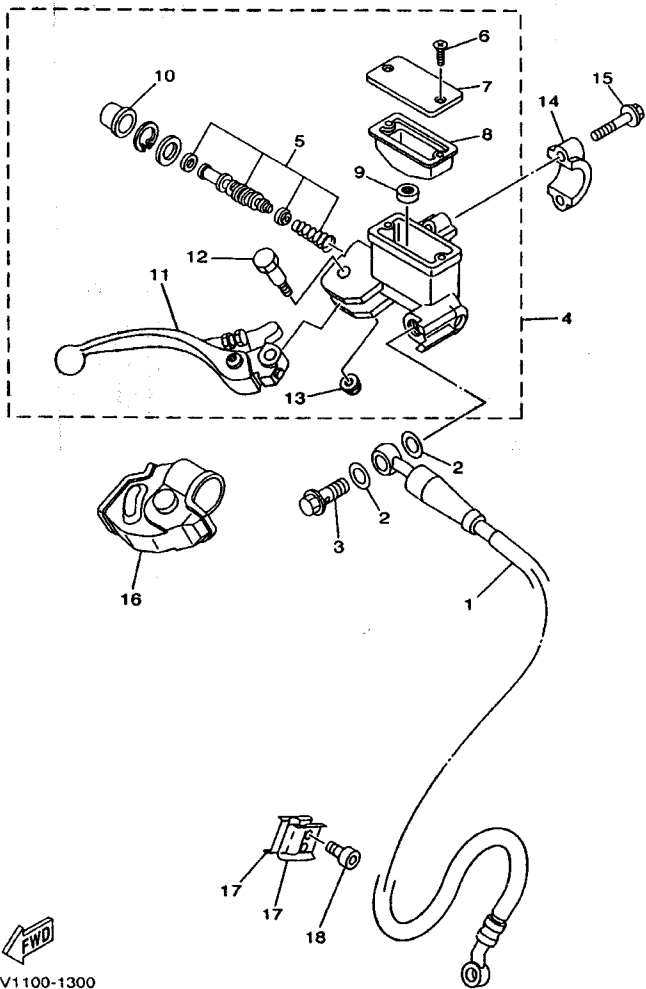


5MV1100-1290

FIG. 29 STEERING HANDLE. CABLE

REF. NO.	PART NO.	DESCRIPTION	5MV1	5MV2	5MV3	5MV4	REMARKS
1	4XM-26111-00	HANDLEBAR	1	1	1	1	
2	4GY-26241-00	GRIP (LEFT)	1	1	1	1	
3	4XM-26240-00	GRIP ASSY	1	1	1	1	
4	4GY-26242-00	GRIP (RIGHT)	1	1	1	1	
5	4SS-26281-00	CAP, GRIP UPPER	1	1	1	1	
6	4SS-26282-10	CAP, GRIP LOWER	1	1	1	1	
7	4SS-2628H-00	CAP, WIRE	1	1	1	1	
8	95027-06025	BOLT, FLANGE	2	2	2	2	
9	4SS-26273-00	ROTOR	1	1	1	1	
10	4SS-26259-00	COLLAR	1	1	1	1	
11	4SS-26256-00	SCREW, GRIP END	1	1	1	1	
12	4SS-2632G-00	SCREW	1	1	1	1	
13	5MV-26311-00	CABLE, THROTTLE 1	1	1	1	1	
14	4SS-26287-01	COVER, CAP GRIP	1	1	1	1	
15	5HD-26335-00	CABLE, CLUTCH	1	1	1	1	
16	5HD-26342-00	BOOT, CABLE	1	1	1	1	
17	90387-227H7	COLLAR	1	1	1	1	

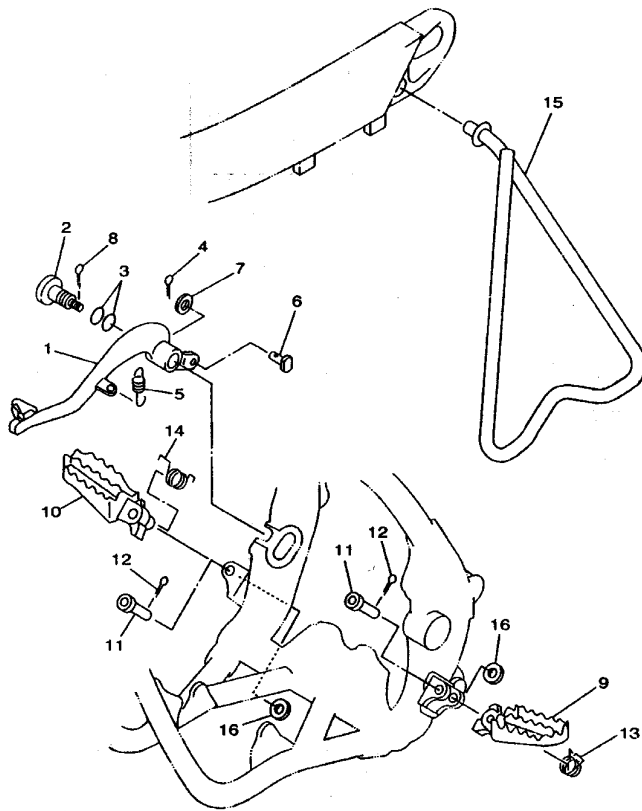
D13



5MV1100-1300

FIG. 30 FRONT MASTER CYLINDER

REF. NO.	PART NO.	DESCRIPTION	5MV1	5MV2	5MV3	5MV4	REMARKS
1	5ET-25872-00	HOSE, BRAKE 1	1				
	5HD-25872-00	HOSE, BRAKE 1		1	1	1	
2	90201-10118	WASHER, PLATE	4	4	4	4	
3	90401-10168	BOLT, UNION	2	2	2	2	
4	5MV-W2587-00	MASTER CYLINDER SUB ASSY	1	1	1	1	
5	5MV-W0041-00	CYLINDER KIT, MASTER	1	1	1	1	
6	98706-04012	SCREW, FLAT HEAD	2	2	2	2	
7	5MV-25852-00	CAP, RESERVOIR	1	1	1	1	
8	56A-25854-00	DIAPHRAGM, RESERVOIR	1	1	1	1	
9	8CR-25715-00	SEPARATOR ASSY	1	1	1	1	
10	5G2-25868-00	BOOT, MASTER CYLINDER	1	1	1	1	
11	5MV-83922-00	LEVER 2	1	1	1	1	
12	5MV-2589F-00	BOLT, LEVER	1	1	1	1	
13	95701-06500	NUT, FLANGE	1	1	1	1	
14	5MV-25867-00	BRACKET, MASTER CYLINDER	1	1	1	1	
15	5MV-25833-00	BOLT, FITTING	2	2	2	2	
16	5MV-26372-00	COVER, HANDLE LEVER 1	1	1	1	1	
17	90465-16258	CLAMP	2	2	2	2	
18	91317-06014	BOLT	2	2	2	2	



4XL4100-7310

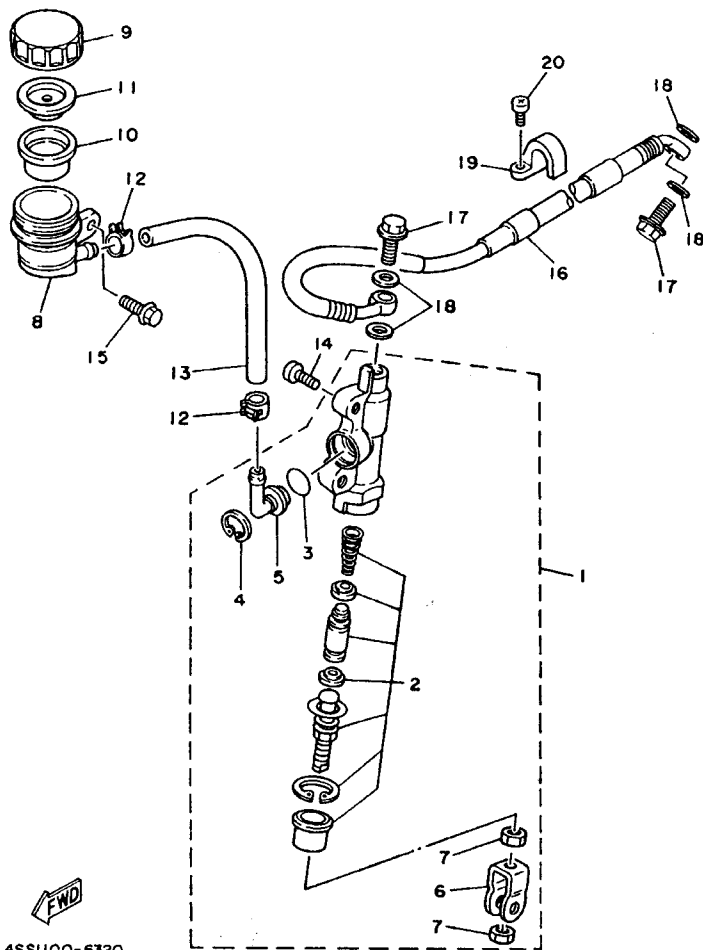
FIG. 31 STAND, FOOTREST

REF. NO.	PART NO.	DESCRIPTION	SMV1	SMV2	SMV3	SMV4	REMARKS
1	4XM-27200-00	PEDAL, BRAKE	1	1	1	1	
2	5JG-27217-00	BOLT	1	1	1	1	
3	93210-11073	O-RING	2	2	2	2	
4	91401-20012	PIN, COTTER	1	1	1	1	
5	90506-16500	SPRING, TENSION	1	1	1	1	
6	90240-08120	PIN, CLEVIS	1	1	1	1	
7	90201-08089	WASHER, PLATE	1	1	1	1	
8	90468-16191	CLIP	1	1	1	1	
9	5ET-27411-00	FOOTREST 1	1	1	1	1	
10	5ET-27421-00	FOOTREST 2	1	1	1	1	
11	90240-10142	PIN, CLEVIS	2	2	2	2	
12	91401-25015	PIN, COTTER	2	2	2	2	
13	90508-282B8	SPRING, TORSION	1	1	1	1	
14	90508-282B9	SPRING, TORSION	1	1	1	1	
15	5ET-27311-00	STAND, SIDE	1	1	1	1	
16	90201-10119	WASHER, PLATE	2	2	2	2	

D15

INTOOL .GMA

OM



4SS1100-6320

FIG. 32 REAR MASTER CYLINDER

REF. NO.	PART NO.	DESCRIPTION	5MV1	5MV2	5MV3	5MV4	REMARKS
1	3SP-2583V-00	RR. MASTER CYLINDER ASSY.	1	1	1	1	
2	4SS-W0042-50	.CYLINDER KIT, MASTER	1	1	1	1	
3	93210-15620	.O-RING	1	1	1	1	
4	2VN-25866-00	.CIRCLIP	1	1	1	1	
5	2VN-2582A-50	.JOINT	1	1	1	1	
6	3SP-27222-00	.JOINT	1	1	1	1	
7	4SS-27218-00	.NUT	2	2	2	2	
8	4EW-25894-00	TANK, RESERVOIR	1	1	1	1	
9	3XP-25852-50	CAP, RESERVOIR	1	1	1	1	
10	2VN-25854-00	DIAPHRAGM, RESERVOIR	1	1	1	1	
11	2VN-25855-00	BUSH,DIAPHRAGM	1	1	1	1	
12	90467-12053	CLIP	2	2	2	2	
13	90445-137H9	HOSE (L240)	1	1	1	1	
14	92014-06016	BOLT, BUTTON HEAD	2	2	2	2	
15	95027-06012	BOLT, FLANGE	1	1	1	1	
16	5MV-25873-00	HOSE, BRAKE 2	1	1	1	1	
17	90401-10168	BOLT, UNION	2	2	2	2	
18	90201-10118	WASHER, PLATE	4	4	4	4	
19	2VM-25876-00	HOLDER, BRAKE HOSE 2	2	2	2	2	
20	97780-50510	SCREW, TAPPING	4	4	4	4	

HANDLE SWITCH LEVER

REF. NO. PART NO. DESCRIPTION

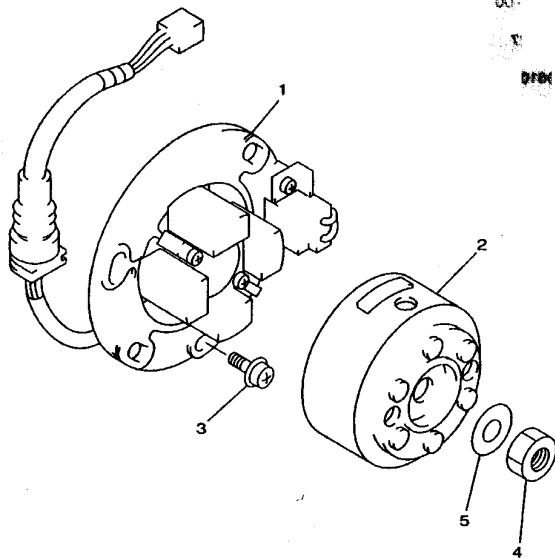
00-1101 00-1101 HANDLE SWITCH LEVER

00-1102 00-1102 HANDLE SWITCH LEVER

00-1103 00-1103 HANDLE SWITCH LEVER

00-1104 00-1104 HANDLE SWITCH LEVER

00-1105 00-1105 HANDLE SWITCH LEVER



FWD
4SS1100-6330

FIG. 33 GENERATOR

REF. NO.	PART NO.	DESCRIPTION	5M1	5M2	5M3	5M4	REMARKS
1	4SS-85560-00	BASE ASSY	1	1	1	1	
2	4SS-85550-00	ROTOR ASSY	1	1	1	1	
3	90149-06011	SCREW	3	3	3	3	
4	95317-10600	NUT	1	1	1	1	
5	90201-10591	WASHER, PLATE	1	1	1	1	

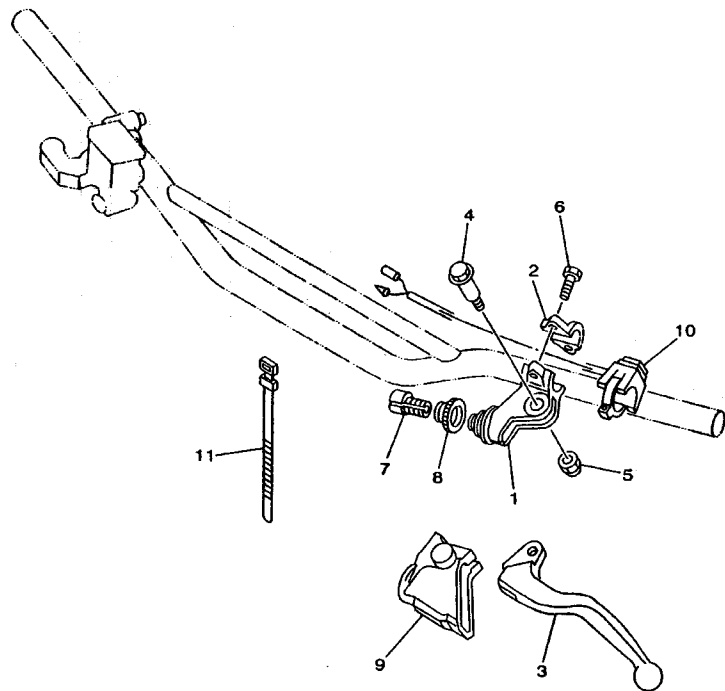
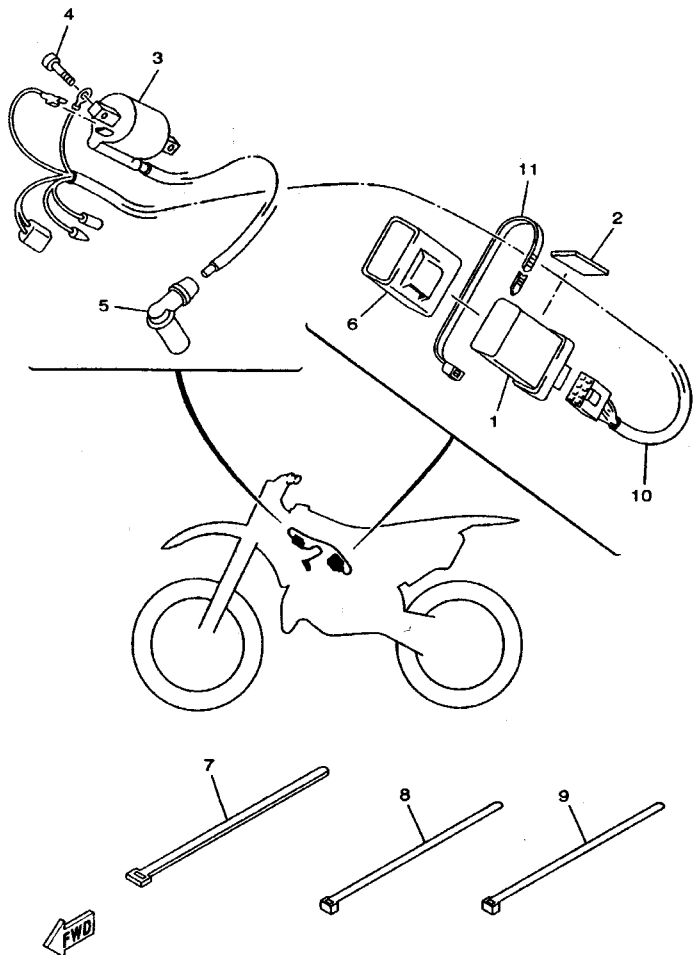


FIG. 34 HANDLE SWITCH, LEVER

REF. NO.	PART NO.	DESCRIPTION	5M/1	5M/2	5M/3	5M/4	REMARKS
1	5HD-82911-00	HOLDER, LEVER 1	1	1	1	1	
2	38V-82913-00	HOLDER, LEVER LOWER 1	1	1	1	1	
3	5MV-83912-00	LEVER 1	1	1	1	1	
4	90109-06027	BOLT	1	1	1	1	
5	95607-06100	NUT, U	1	1	1	1	
6	97007-05016	BOLT	2	2	2	2	
7	5HD-26337-00	BOLT, ADJUSTING	1	1	1	1	
8	5HD-83951-00	BOLT, CABLE ADJUSTING	1	1	1	1	
9	5HD-26372-00	COVER, HANDLE LEVER 1	1	1	1	1	
10	23X-83976-00	SWITCH, HANDLE 1	1	1	1	1	
11	90464-13077	CLAMP	2	2	2	2	


5HD1100-0340

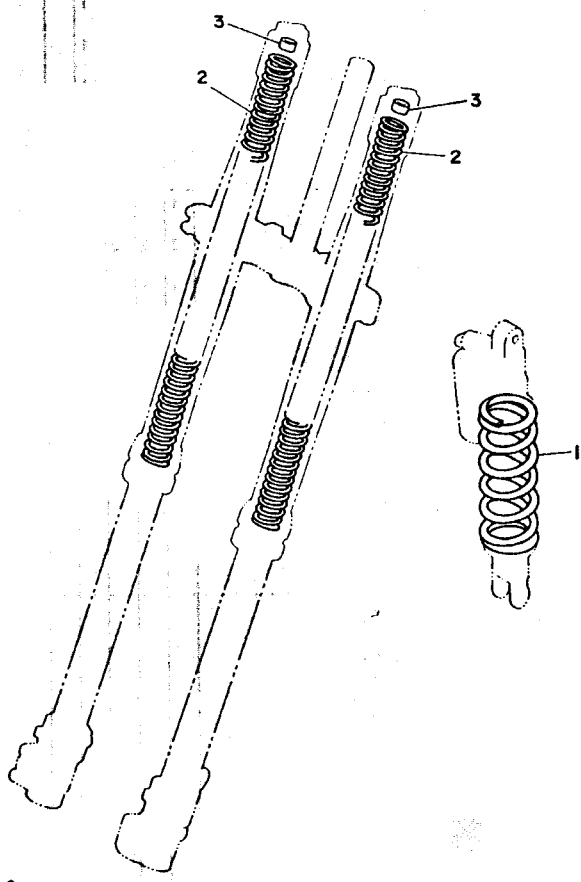


5DH1100-8350

FIG. 35 ELECTRICAL 1

REF. NO.	PART NO.	DESCRIPTION	5MV1	5MV2	5MV3	5MV4	REMARKS
1	5MV-85540-00	C.D.I. UNIT ASSY	1	1	1	1	
2	22F-2139X-00	DAMPER	1	1	1	1	
3	4SS-82310-00	IGNITION COIL ASSY	1	1	1	1	
4	95027-06016	BOLT, FLANGE	2	2	2	2	
5	4PE-82370-10	PLUG CAP ASSY	1	1	1	1	
6	4SS-85546-01	BAND	1	1	1	1	
7	90464-50255	CLAMP	2	2	2	2	
8	90464-13073	CLAMP	1	1	1	1	
9	90465-13275	CLAMP	1	1	1	1	
10	5DH-82509-00	WIRE, SUB LEAD	1	1	1	1	
11	90460-15126	CLAMP, HOSE	1	1	1	1	

REMARKS

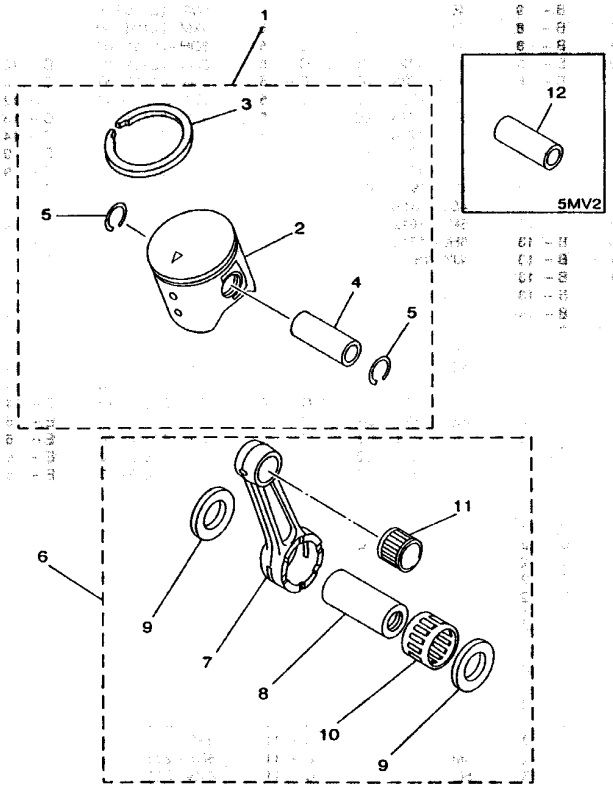


FWD
3XJ1100-1360

FIG. 36 ALTERNATE (CHASSIS)

REF. NO.	PART NO.	DESCRIPTION	5MV1	5MV2	5MV3	5MV4	REMARKS
1	5DH-22212-10	SPRING (K=4.6)	1	1	1	1	AP
	5DH-22212-20	SPRING (K=4.8)	1	1	1	1	AP
	5DH-22212-30	SPRING (K=5.0)	1	1	1	1	AP
	5DH-22212-40	SPRING (K=5.2)	1	1	1	1	AP
	5DH-22212-50	SPRING (K=5.4)	1	1	1	1	AP
	5DH-22212-60	SPRING (K=5.6)	1	1	1	1	AP
	5DH-22212-70	SPRING (K=4.4)	1	1	1	1	AP
	5ET-22212-10	SPRING (K=APPROX.5.0)	1	1	1	1	AP
	5ET-22212-20	SPRING (K=APPROX.4.6)	1	1	1	1	AP
	5ET-22212-30	SPRING (K=APPROX.5.2)	1	1	1	1	AP
	5ET-22212-40	SPRING (K=APPROX.5.4)	1	1	1	1	AP
	5ET-22212-00	SPRING (K=APPROX.4.8)	1	1	1	1	AP
2	4SS-23141-10	SPRING, FRONT FORK (K=0.38)	2	2	2	2	AP
	4SS-23141-20	SPRING, FRONT FORK (K=0.39)	2	2	2	2	AP
	4SS-23141-30	SPRING, FRONT FORK (K=0.40)	2	2	2	2	AP
	4SS-23141-40	SPRING, FRONT FORK (K=0.41)	2	2	2	2	AP
	4SS-23141-50	SPRING, FRONT FORK (K=0.42)	2	2	2	2	AP
	4SS-23141-60	SPRING, FRONT FORK (K=0.43)	2	2	2	2	AP
	4SS-23141-70	SPRING, FRONT FORK (K=0.44)	2	2	2	2	AP
	5ET-23141-00	SPRING (K=APPROX.0.41)	2	2	2	2	AP
	5ET-23141-10	SPRING (K=APPROX.0.43)	2	2	2	2	AP
	5ET-23141-20	SPRING (K=APPROX.0.40)	2	2	2	2	AP
	5ET-23141-30	SPRING (K=APPROX.0.42)	2	2	2	2	AP
	5ET-23141-40	SPRING (K=APPROX.0.44)	2	2	2	2	AP
3	4SS-23364-L0	COLLAR 2	1	1	1	1	UN

E6




5MV1100-1370

FIG. 37 OPTIONAL PARTS 1

REF. NO.	PART NO.	DESCRIPTION	5MV1	5MV2	5MV3	5MV4	REMARKS
1	4XM-11630-30	PISTON ASSY	1	1	1	1	
2	4XM-11631-30-B0	.PISTON (STD)	1	1	1	1	
3	4JY-11611-00	.RING, PISTON	1	1	1	1	
4	4XM-11633-10	.PIN, PISTON	1	1	1	1	
5	93450-16068	.CIRCLIP	2	2	2	2	
6	5MV-11650-00	CONNECTING ROD ASSY	1	1	1	1	
7	5MV-11651-00	.ROD, CONNECTING	1	1	1	1	
8	3JD-11681-10	.PIN, CRANK 1	1	1	1	1	
9	90209-22071	.WASHER	2	2	2	2	
10	93310-522P7	.BEARING	1	1	1	1	
11	93310-21510	.BEARING	1	1	1	1	
12	4XM-11633-10	PIN, PISTON		1			

NUMERICAL INDEX

PARTNO.	GRID NO.	PARTNO.	GRID NO.	PARTNO.	GRID NO.	PARTNO.	GRID NO.	PARTNO.	GRID NO.	PARTNO.	GRID NO.
5MV-W0041-00	D - 14	4SS-11990-00	B - 4	5A0-14116-L0	B - 10	5ET-14261-01	B - 9	4EX-17151-00	C - 5	5MV-22110-00	C - 12
4SS-W0042-50	E - 2	4JY-11991-01	B - 3	5A0-14116-L1	B - 9	4SS-14401-10	B - 8	4XM-17161-00	C - 5	4XM-22128-00	C - 12
5DH-W0045-10	D - 9	4JY-11993-01	B - 3	5A0-14116-L2	B - 10	4SS-14417-00	B - 8	4XM-17211-01	C - 5	5DH-22141-00	C - 12
5MV-W0045-00	D - 9	4JY-11995-00	B - 3	5A0-14116-L3	B - 10	4XM-14451-00	B - 8	4XM-17221-00	C - 5	5MV-22151-00	C - 12
5ET-W0046-00	D - 12	4SS-1240A-10	B - 7	5A0-14116-L9	B - 10	5MV-14453-00	B - 8	3SR-17231-00	C - 5	5JG-22156-00	C - 12
5MV-W0046-00	D - 12	4JY-12422-00	B - 6	5A0-14116-M0	B - 10	3JD-14458-01	B - 8	4EX-17241-00	C - 5	5ET-2217A-00	C - 12
3JD-W0047-00	D - 9	4JY-12428-00	B - 6	5A0-14116-M1	B - 10	3JD-14459-01	B - 8	5HD-17251-00	C - 5	5DH-2217F-01	C - 13
5ET-W0047-50	D - 12	5DH-12451-00	B - 6	5A0-14116-M2	B - 10	3JD-14462-00	B - 8	5HD-17261-00	C - 5	5MV-22176-00	C - 14
1UY-W0048-50	D - 12	5DH-12459-01	B - 6	5A0-14116-M8	B - 10	5MV-14477-00	B - 8	4XM-17411-00	C - 5	3JD-22178-10	C - 9
	D - 9	4SS-12461-10	B - 7	5A0-14116-M9	B - 10	1FN-14565-00	B - 9	5HD-17421-00	C - 5	4EW-22178-00	C - 9
4EW-W0057-00	D - 9	5HD-12482-00	B - 7	4PE-14131-00	B - 9	5HD-14610-00	B - 13	4SS-18101-00	C - 8	5MV-22184-00	C - 14
5ET-W0057-50	D - 12	5MV-12481-00	B - 7	87M-14137-00	B - 12	4JY-14615-00	B - 13	4SS-18110-00	C - 8	4XM-22199-00	C - 12
5MV-W2587-00	D - 14	4SS-12482-00	B - 7	4KM-14142-20	B - 11	5MV-14642-00	B - 13	5MV-18122-00	C - 8	5MV-22201-00	C - 14
5MV-11111-00	B - 2	4SS-12483-00	B - 7	4KM-14142-22	B - 11	5HD-1469A-00	B - 13	5HD-18140-00	C - 7	5MV-22201-10	C - 14
4JY-11166-00	B - 2	4SS-12484-00	B - 7	4KM-14142-25	B - 10	5HD-14753-00	B - 13	4JY-18172-00	C - 8	5MV-22201-20	C - 14
5HD-1131D-10	B - 2	353-13115-01	B - 14		B - 11	5CU-14771-00	B - 13	3XJ-18173-00	C - 8	5MV-22201-30	C - 14
4SS-1131M-00	B - 2	5MV-13565-00	B - 8	4KM-14142-27	B - 10	565-14771-00	B - 13	3XJ-18178-00	C - 8	5MV-22201-40	C - 14
5HD-1131V-00	B - 2	5MV-13610-00	B - 8		B - 11	5MV-15111-00	B - 14	3XJ-18182-00	C - 8	5MV-22210-00	C - 14
5MV-11311-00	B - 2	5MV-13613-00	B - 8	4KM-14142-30	B - 10	3R4-15118-00	B - 14	3XJ-18184-00	C - 8	5MV-22210-10	C - 14
5HD-1132D-10	B - 2	5MV-13616-00	B - 8		B - 11	5MV-15121-00	B - 14	4EW-18185-00	C - 8	5MV-22210-20	C - 14
5DH-11351-01	B - 2	5MV-13625-00	B - 8	4KM-14142-32	B - 11	3Y1-15363-00	B - 15	4SS-18511-00	C - 7	5MV-22210-30	C - 14
4JY-11354-02	B - 2	5MV-14101-00	B - 9	4KM-14142-35	B - 11	1LX-15383-00	C - 5	2VN-18512-01	C - 7	5MV-22210-40	C - 14
5MV-11400-00	B - 5	5MV-14101-10	B - 9	4KM-14142-37	B - 11	4XM-15383-00	C - 5	4SS-18513-00	C - 7	5DH-22212-10	C - 14
5MV-11410-00	B - 5	5MV-14101-20	B - 9	4KM-14142-40	B - 11	4JY-15411-00	B - 15	4EX-18531-00	C - 7		E - 6
5MV-11420-00	B - 5	4PE-14103-00	B - 9	137-14143-84	B - 11	4JY-15415-00	B - 15	4EX-18535-00	C - 7	5DH-22212-20	E - 6
4JY-11611-00	B - 5	3JD-14104-00	B - 9	137-14143-86	B - 11	4EX-15421-00	B - 15	5DH-18541-00	C - 7	5DH-22212-30	E - 6
	E - 7	4PE-14107-38	B - 9	137-14143-88	B - 11	4JY-15431-12	B - 15	5DH-18562-00	C - 7	5DH-22212-40	E - 6
4XM-11630-30	E - 7	5MV-14112-55	B - 11	137-14143-90	B - 11	4JY-15451-10	B - 15	5MV-21101-00-PO	C - 9	5DH-22212-50	E - 6
4XM-11631-30-A0	B - 5	5MV-14112-57	B - 11	137-14143-92	B - 11	4JY-15462-00	B - 15	5HC-21190-00-PO	C - 9	5DH-22212-60	E - 6
4XM-11631-30-B0	B - 5	5MV-14112-60	B - 11	137-14143-94	B - 11	4JY-15463-01	B - 15	5DH-21274-00	C - 9	5DH-22212-70	E - 6
	E - 7	5ET-14115-00	B - 9	137-14143-96	B - 11	4DB-15620-03	C - 2	5HD-2135F-00	C - 13	5ET-22212-00	C - 14
4XM-11631-30-C0	B - 5	5A0-14116-H0	B - 9	137-14143-98	B - 11	4DB-15621-03	C - 2	22F-2139X-00	E - 5		E - 6
4XM-11631-30-D0	B - 5	5A0-14116-H1	B - 9	5MV-14146-00	B - 12	1LX-15641-00	C - 2	4SS-21425-00	C - 9	5ET-22212-10	C - 14
4XM-11633-10	B - 5	5A0-14116-H2	B - 10	51R-14146-00	B - 11	1LX-15651-00	C - 2	5HD-21511-00	C - 10		E - 6
	E - 7	5A0-14116-H8	B - 9	2K6-14147-00	B - 9	1LX-15660-03	C - 2	4XL-2153A-10	D - 5	5ET-22212-20	E - 6
5MV-11650-00	E - 7	5A0-14116-H9	B - 9	5ET-14147-00	B - 11	3XJ-16111-00	C - 3	4ES-2153E-01	C - 10	5ET-22212-30	E - 6
5MV-11651-00	B - 5	5A0-14116-J0	B - 10	3MA-14159-00	B - 9	4JY-16150-02	C - 3	5BE-21611-10	C - 10	5ET-22212-40	E - 6
	E - 7		B - 9	5ET-1416A-00	B - 11	3XJ-16181-00	C - 3	5BE-21642-00	C - 10	3SP-22213-00	C - 14
3JD-11681-10	B - 5	5A0-14116-J1	B - 10	3JE-14171-00	B - 9	3XJ-16321-00	C - 3	4SS-21711-00	C - 11	5DH-22214-00	C - 14
	E - 7	5A0-14116-J2	B - 10	5ET-14185-00	B - 9	5DH-16321-00	C - 3	4EW-2172A-00	C - 11	5MV-22224-00	C - 14
4SS-11832-00	B - 2	5A0-14116-J3	B - 10	353-14186-00	B - 9	3XJ-16324-00	C - 3	4SS-21721-00	C - 11	4XJ-22226-00	C - 14
5CU-11911-00	B - 4	5A0-14116-J8	B - 10	4PE-14194-00	B - 9	4XV-16340-01	C - 3	5MV-2173E-00	C - 11	3SP-22234-00	C - 14
5CU-11912-00	B - 4	5A0-14116-J9	B - 10	5MV-14194-00	B - 12	5HD-16351-00	C - 3	5MV-2173F-00	C - 11	5DH-22253-00	C - 14
4JY-11915-01	B - 4	5A0-14116-K0	B - 10	10V-14196-00	B - 9	3SB-16356-10	C - 3	5ET-21730-10	C - 11	5MV-22253-00	C - 14
5X4-11921-02	B - 4	5A0-14116-K1	B - 10	2HH-14197-00	B - 12	4EX-16371-00	C - 3	5ET-21740-10	C - 11	5ET-22355-00	C - 12
3JE-11922-01	B - 4	5A0-14116-K2	B - 10	5ET-14197-00	B - 9	4EX-16382-10	C - 3	3JD-21748-00	C - 10	3V6-22358-00	D - 6
5CU-11952-00	B - 4	5A0-14116-K8	B - 10	5MV-14216-00	B - 12	4XM-17121-00	C - 5	5MV-2175C-00	C - 11	4EW-22474-00	C - 14
24X-11953-01	B - 4	5A0-14116-K9	B - 10	4PE-14261-01	B - 9	4EX-17131-01	C - 5	5MV-21781-00	C - 10	3JE-22475-00	C - 14

M1

NUMERICAL INDEX

PARTNO.	GRID NO.	PARTNO.	GRID NO.	PARTNO.	GRID NO.	PARTNO.	GRID NO.	PARTNO.	GRID NO.	PARTNO.	GRID NO.
5MV-22475-00	C-14	4SS-23146-L0	D-4	3AJ-24534-00	D-6	5G2-25868-00	D-14	5HD-83951-00	E-4	90159-06182	C-11
5DH-22898-50	D-12	5DH-23149-L0	D-3	5MV-24610-00	D-6	5ET-25872-00	D-14	23X-83976-00	E-4	90170-16326	C-3
5MV-23102-00	D-3			4SS-24728-00	D-7	5HD-25872-00	D-14	5MV-85540-00	E-5	90170-24373	D-2
5MV-23102-10	D-3	4SS-23153-L0	D-3	5MV-24731-00	D-7	5MV-25873-00	E-2	4SS-85546-01	E-5	90176-08026	B-2
5MV-23102-20	D-3			5MV-24770-00	D-7	5DH-25875-00	D-9	4SS-85550-00	E-3	90179-06568	C-12
5MV-23103-00	D-3	4SS-23158-L0	D-3	4DA-25104-00	D-8	2VM-25876-00	E-2	4SS-85560-00	E-3	90179-08299	B-2
5MV-23103-10	D-4			4SS-25111-01	D-8	5MV-2589F-00	D-14	9Y581-92111	D-11		
5MV-23103-20	D-4	5MV-2316A-L0	D-3	5DH-25117-00	D-8	4EW-25894-00	E-2	90101-06664	C-8	90179-16226	C-6
5BF-23110-L0	D-4			5BE-25181-00	D-8	5DH-25916-00	D-12	90101-08777	D-11	90179-16672	D-8
5MV-23111-L0	D-3	5MV-2316A-M0	D-3	5DH-25183-00	D-8			90105-06553	C-7	90179-28650	D-2
				5BE-25188-00	D-8			90105-06556	B-14	90183-06023	B-8
5DH-23118-L0	D-3	5MV-23170-L0	D-3	5HD-25304-00	D-10	5DH-25919-00	D-9	90105-08099	C-9		
				5ET-25311-00	D-10	5DH-25919-50	D-12	90105-08494	C-9	90183-06069	C-11
3JD-2312G-L0	D-4	5ET-23171-L0	D-3	5ET-25317-00	D-10	8CR-25924-00	D-12	90105-08659	D-9	90185-08169	C-9
				4XM-25364-00	D-10	5DH-25933-00	D-9	90105-10323	C-15		
5DH-23120-L0	D-3	5DH-23183-00	C-14	5ET-25367-00	D-11	4XM-26111-00	D-13	90105-10445	C-3	90185-14112	C-13
5ET-23125-L0	D-3	509-23184-L0	C-14	5ET-25381-00	D-11	4XM-26240-00	D-13	90105-105A2	C-15	90185-16127	C-12
		5DH-23195-L0	D-3	5ET-25383-00	D-11	4GY-26241-00	D-13	90105-10733	C-9	90185-20168	D-11
5HD-23136-L0	D-4			5ET-25388-00	D-11	4GY-26242-00	D-13	90109-06027	E-4	90201-03313	B-8
		5MV-23195-L0	D-3	5ET-25389-00	D-11	4SS-26256-00	D-13	90109-06418	C-3	90201-057H5	B-4
5DH-2314E-00	D-9			2J5-25394-01	D-8	4SS-26259-00	D-13	90109-065G4	D-12	90201-06060	B-13
5DH-2314F-L0	D-5	4EW-2331E-L1	D-5	4XM-25394-00	D-10	4SS-26273-00	D-13	90109-081G1	D-10		
4SS-2314G-L0	D-5	5DH-23340-M0	D-4	5ET-25447-00	D-10	4SS-2628H-00	D-13	90109-081G1	D-10	90201-06071	B-13
5DH-2314H-00	D-5	4SS-23346-L0	D-5	5ET-25448-00	D-10	4SS-26281-00	D-13	90109-142F4	C-13		
5DH-2314J-00	D-5	5MV-23346-L0	D-4	5ET-25449-00	D-10	4SS-26282-10	D-13	90109-147F2	C-13	90201-06557	C-10
4SS-23141-10	E-6	3SP-23356-L0	D-5	5ET-25450-00	D-10	4SS-26287-01	D-13	90110-08096	C-9	90201-080L8	B-2
4SS-23141-20	E-6	4SS-23364-L0	E-6	5ET-25451-00	D-10	5MV-26311-00	D-13	90116-08318	B-2	90201-08089	D-15
4SS-23141-30	E-6	4DA-23389-00	D-5	5ET-25452-00	D-10	4SS-2632G-00	D-13	90116-08388	B-2	90201-083P5	B-6
4SS-23141-40	E-6	5HD-2339E-00	D-2	5ET-25452-00	D-10	5HD-26335-00	D-13	90116-08394	B-2	90201-08326	D-10
4SS-23141-50	E-6	5HD-23393-L0	D-3	8CR-25715-00	D-14	5HD-26337-00	E-4	90119-05071	D-5	90201-086P8	C-9
4SS-23141-60	E-6			5DH-25718-01	D-12	5HD-26342-00	D-13	90119-06096	C-10	90201-08730	C-9
4SS-23141-70	E-6	4EW-23416-00	D-2	5MV-2580T-00	D-9	5HD-26372-00	E-4	90119-06192	B-13	90201-08759	C-3
4XM-23141-L0	D-3	5HC-23435-00	D-2	5MV-2580T-10	D-9	5MV-26372-00	D-14			90201-08784	B-6
		5HC-23435-11	D-2	5ET-2580W-00	D-12	4XM-27200-00	D-15	90119-06203	B-8	90201-10118	D-14
5ET-23141-L0	D-3	3SP-23441-00	D-2	5MV-2580W-00	D-12	5JG-27217-00	D-15	90119-06214	B-7		
		5HD-23485-10	D-2	5MV-2581T-00	D-9	4SS-27218-00	E-2			90201-10119	D-15
5ET-23141-00	E-6	5MV-24110-00	D-8	2VN-2582A-50	E-2	3SP-27222-00	E-2	90119-06225	C-10	90201-10591	E-3
5ET-23141-10	E-6	4EW-2412F-00	D-6	5DH-2582W-00	D-12	5ET-27311-00	D-15			90201-112U6	C-15
5ET-23141-20	E-6	24X-24144-00	D-6	5DH-25827-50	D-12	5ET-27411-00	D-15	90122-06035	B-8	90201-14740	C-13
5ET-23141-30	E-6	3SP-24173-00	D-6	5DH-25828-50	D-12	5ET-27421-00	D-15	90149-06011	D-6	90201-150U6	B-4
5ET-23141-40	E-6	3SP-24173-00	D-6	3SP-2583V-00	E-2	4GY-27491-00	D-12			90201-152H7	C-2
5DH-23142-L0	D-3	4SS-24181-00	D-6	5MV-25833-00	D-14	5ET-28166-00	C-9	90149-06327	D-9	90201-15700	C-5
		4SS-24182-00	D-6	3XP-25852-50	E-2	4SS-82310-00	E-5	90151-04048	C-12	90201-164H4	C-12
5HD-23144-L0	D-3	3JD-24186-00	D-6	5MV-25852-00	D-14	4PE-82370-10	E-5	90151-06037	C-5		
		5MV-24240-00	D-6	2VN-25854-00	E-2	5DH-82509-00	E-5			90201-171G4	C-2
5ET-23145-L0	D-3	3XJ-24380-00	D-6	56A-25854-00	D-14	5HD-82911-00	E-4	90152-06010	C-2	90201-203U1	D-11
		3JD-24500-01	D-6	2VN-25855-00	E-2	38V-82913-00	E-4	90159-06016	C-3	90201-20611	C-3
4SS-23146-L0	D-3	4X8-24512-00	D-6	2VN-25866-00	E-2	5MV-83912-00	E-4	90159-06078	C-11		
		5MV-24514-00	B-12	5MV-25867-00	D-14	5MV-83922-00	D-14				

M2

NUMERICAL INDEX

PARTNO.	GRID NO.	PARTNO.	GRID NO.	PARTNO.	GRID NO.	PARTNO.	GRID NO.	PARTNO.	GRID NO.	PARTNO.	GRID NO.
90201-22555	C-5	90445-09104	D-6	91317-06045	B-14	93310-21510	B-5	94681-68001	D-11	98502-05014	B-11
90201-247L2	D-2	90445-09220	D-6	91317-06055	B-14		E-7	94702-00324	B-2	98507-03006	B-8
90201-286K9	D-2	90445-114J7	D-6	91317-06070	B-14	93310-225N0	C-3	94709-00324	B-2	98507-04008	B-9
90202-05193	D-6	90445-137H9	E-2	91401-20012	D-15	93310-522P7	B-5	95027-06010	B-15	98507-04014	B-9
90209-06096	B-8	90450-22017	B-7	91401-25015	D-15		E-7		B-6	98507-05012	B-4
90209-18135	C-5	90450-25037	B-7	92014-06016	E-2	93311-31515	C-6		C-12	98507-06016	B-15
90209-20008	C-5	90450-28014	B-7	92017-06010	B-13	93311-41530	C-5	95027-06012	B-13	98507-06030	B-15
90209-22071	B-5	90450-51070	B-8	92907-03100	B-8	93315-11206	C-4		D-12	98706-04012	D-14
	E-7	90450-70072	B-8	92907-05600	B-3	93315-32056	C-12		E-2	98707-06025	D-6
90215-16289	C-3	90460-15126	E-5	92907-06100	D-7		C-13	95027-06016	D-12	98907-05016	B-2
90215-20261	C-6	90461-10136	B-14	92907-06600	B-15	93317-22262	C-12		D-6	98907-06020	D-6
90240-08120	D-15	90464-13073	E-5	92907-08200	D-9	93332-00068	D-2		E-5	99001-06600	B-6
90240-10142	D-15	90464-13077	E-4	93102-12106	B-6	93332-00081	D-2	95027-06020	B-8	99009-45500	D-10
90267-32070	B-8	90464-50255	E-5	93102-12224	C-3	93340-21008	C-3		C-8	99244-00200	C-13
90280-03017	B-5	90465-13275	D-6	93102-17263	C-2	93340-21505	B-4	95027-06025	B-13	99530-10114	B-15
90338-16148	C-12		E-5	93102-20485	B-5	93342-22217	C-12		B-15		B-2
	C-9	90465-16258	D-14	93102-26042	C-5	93410-22039	C-5		D-13	99590-17016	B-14
90338-21145	C-9	90467-09006	B-7	93102-26468	D-8	93430-08053	C-3	95027-06030	B-15		
90338-30256	C-9	90467-10008	D-6	93102-30008	B-5	93440-15012	C-2		B-6		
90340-12059	B-14	90467-12053	E-2	93104-08040	B-2		C-5		C-10		
90387-06009	C-10	90467-13062	B-2		B-4	93450-16068	B-5	95027-06040	B-15		
	C-11	90468-16191	D-15	93106-22019	C-12		E-7	95027-06045	B-13		
90387-0614M	B-7	90468-26048	C-2	93106-30044	D-10	93507-16020	B-4	95027-06050	C-12		
90387-062W7	B-13	90480-08608	D-11	93106-30045	D-10	93507-32009	C-2	95027-06065	B-6		
90387-063F7	C-7	90480-15528	B-7	93109-11073	B-6	93603-14240	B-4	95027-08020	D-9		
90387-063G3	B-13	90480-16561	B-13	93109-12012	C-8	93604-10011	B-15	95027-08035	D-2		
90387-0701A	C-10	90480-18549	D-6	93109-20076	C-12		B-6	95027-08040	C-9		
90387-085E1	B-4	90501-052G5	C-8		C-13	93612-16254	B-14		D-2		
90387-086N4	C-9	90501-12081	C-2	93109-28043	C-12	9383A-12017	C-6	95027-08065	C-9		
90387-08785	B-3	90501-23598	C-3	93210-11073	D-15	9383A-13031	C-6	95317-10600	E-3		
90387-107T9	B-4	90501-26001	B-4	93210-15171	C-2	9383A-14054	C-6	95607-05100	B-8		
90387-152F2	B-4	90506-16500	D-15	93210-15620	E-2	94108-21011	D-8	95607-06100	E-4		
90387-16005	C-12	90507-20052	B-13	93210-16314	B-14	94108-2110Y	D-8	95607-10200	C-15		
90387-16007	C-12	90508-141B4	C-3	93210-19123	B-15	94108-2112Y	D-8		C-9		
90387-167Y9	C-12	90508-16134	B-2	93210-42263	D-3	94110-1911A	D-10	95701-06500	D-14		
90387-1712Y	B-14	90508-261B7	C-7		D-4	94110-1913B	D-10	95707-08500	C-9		
90387-1714R	C-12	90508-26450	C-2	93210-63442	B-2	94110-1916A	D-10	95817-08050	C-9		
90387-1714S	C-12	90508-282B8	D-15	93210-90785	B-2	94209-21229	D-8	95817-10090	C-9		
90387-20007	C-3	90508-282B9	D-15	93300-60801	B-4	94210-19222	D-10	95827-06012	D-9		
90387-202A0	C-6	90508-295A7	C-8	93300-60804	C-9	94210-19224	D-10	95827-06016	C-11		
90387-227H7	D-13	90560-12280	C-8	93306-00105	B-6	94227-21101	D-8	97007-05012	B-4		
90401-10168	D-14	90560-17279	C-2	93306-07202	D-10	94309-21161	D-8	97007-05016	B-3		
	E-2	91A20-05065	B-7	93306-20431	C-5	94316-19156	D-10		E-4		
90430-06014	B-15	91317-04006	B-4	93306-27205	D-10	94321-19135	D-10	97007-06012	D-7		
	B-6	91317-04008	B-2	93306-30411	C-5	94330-21084	D-8	97027-06012	C-2		
	C-3	91317-05008	C-12	93306-37204	B-5	94416-21613	D-8	97707-60016	C-10		
90430-12227	B-14	91317-05012	B-2	93306-90403	D-8	94418-19601	D-10	97780-50510	E-2		
90445-08605	B-14	91317-06014	D-14	93306-90504	C-7	94581-92112	D-11	97801-03008	D-6		

M3