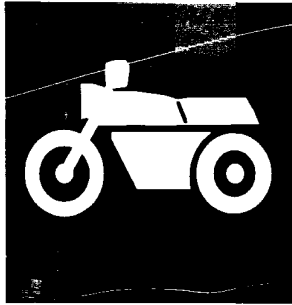


YAMAHA

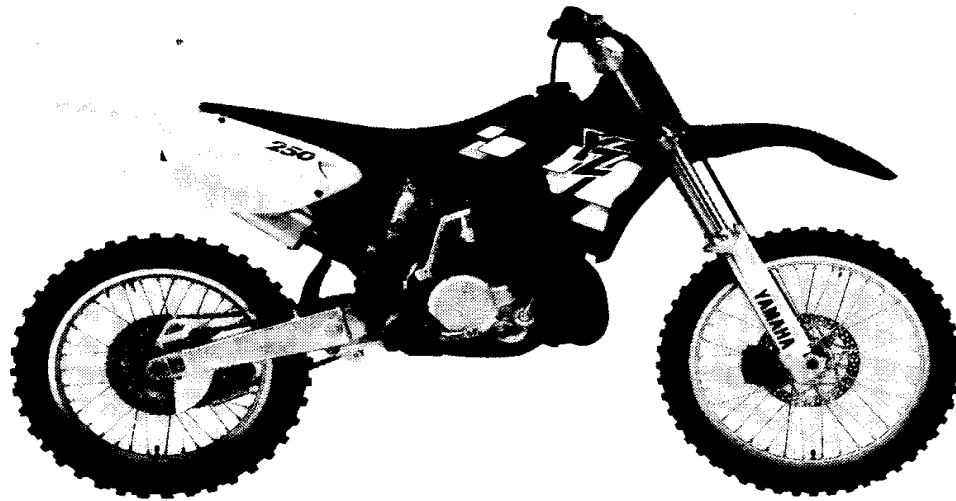


**PARTS
CATALOGUE**

- YZ250'97 (4XL1) EUROPE**
- YZ250J (4XL2) U.S.A., CANADA, S.AFRICA**
- YZ250'97 (4XL3) JAPAN**
- YZ250J (4XL4) OCEANIA**
-

174XL-100E1

YAMAHA
GENUINE
Parts & Accessories



A3

FOREWORD

This Parts Catalogue is related to the parts for the model(s) in the below frame. When you are ordering replacement parts, please refer to this Parts Catalogue and quote both part numbers and part names correctly.

YZ250'97(4XL1/4XL3), YZ250J(4XL2/4XL4)

1. Modifications or additions which have been made after issue of the Parts Catalogue will be announced in the Yamaha Parts News.
It is advisable that you make necessary corrections to the Parts Catalogue according to the Yamaha Parts News.

2. Abbreviations

The following abbreviations are used in this Parts Catalogue.

- "UR" Use specified parts number.
- "UN" Use as many as needed.
- "AP" Alternate Parts
- "LM" Local Made (Parts need to be ordered locally)
- "F#" Frame No. (Applicable machine No.)

3. Parts, which are to be supplied in an assembly, are listed with a dot (.) in front of the part name as shown below.

EXAMPLE

- CARBURETOR ASSY
- . JET, PILOT
- . NOZZLE, MAIN

4. Number of component for assembly

The numeral appearing to the right of each component part indicates the quantity of parts for each assembly unit.

EXAMPLE

PART NO.	DESCRIPTION	Q'TY	REMARKS
2F5-83310-60	FRONT FLASHER LIGHT ASSY	2	
115-83311-60	. BULB (6V-18W)	1	

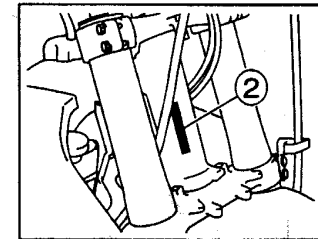
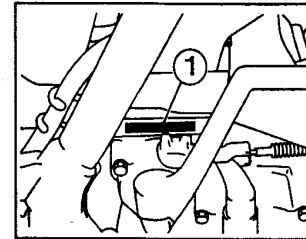
5. Applicable colors of graphics are represented in the "REMARKS" as shown below.

PART NO.	DESCRIPTION	Q'TY	REMARKS
2N4-24110-00-X5	FUEL TANK COMP.	1	MAXIM RED
3J1-24240-10	. GRAPHIC, FUEL TANK	1	for MXR

6. Applicable Serial No.

① Engine Serial No.

② Frame Serial No.



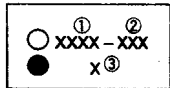
7. Note that the illustrations are for reference in finding parts numbers, not to be used for assembling. When assembling, please use the applicable service manual.

8. The asterisk (*) before a reference number indicates modification items after the first edition.

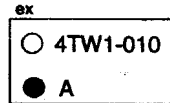
MODEL LABEL

(1) A label called "Model Label" is affixed in the location as indicated in (3) below. When using this parts catalogue, please be sure to cross-refer the "model code - production code No." in the catalogue to the "model code - production code No." indicated on the Model Label affixed onto the product concerned.

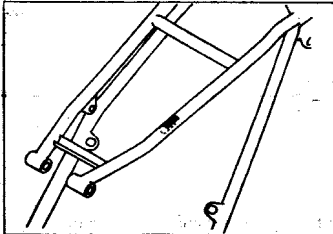
(2) "Model Label" Indication



- ① Model Type Code
- ② Production Code No.
- ③ Colouring Type



(3) Model Label Affixing Location



(4) Model Code - Production Code Number of Model Listed in This Parts Catalog

Model code	Production code No.	Country (destination)	Model code	Production code No.	Country (destination)
4XL1	010	FRANCE			
	020	GERMANY			
	030	SPAIN			
	040	ENGLAND			
	050	ITALY			
4XL2	010	U. S. A.			
	020	CANADA			
	030	S. AFRICA			
4XL3	010	JAPAN			
4XL4	010	AUSTRALIA			
	020	NEW ZEALAND			

(5) Colouring Information

Colouring type code	Colour code	Colour Name	Abbreviation
A	00EX	INK BLUE	IKB

CONTENTS

ENGINE

Cylinder Head.....	B2~B3
Governor	B4
Crankshaft. Piston	B5
Water Pump	B6
Radiator. Hose	B7
Intake	B8
Carburetor	B9~B10
Exhaust	B11
Crankcase	B12
Crankcase Cover 1	B13
Starter	B14
Clutch	B15
Transmission	C2~C3
Shift Cam. Fork	C4
Shift Shaft	C5

CHASSIS

Frame	C6
Fender	C7
Side Cover	C8
Rear Arm	C9~C10
Rear Suspension	C11
Steering	C12
Front Fork	C13~C15
Fuel Tank	D2
Seat	D3
Front Wheel	D4
Front Brake Caliper	D5
Rear Wheel	D6~D7

Rear Brake Caliper	D8
Steering Handle. Cable	D9
Front Master Cylinder	D10
Stand. Footrest	D11
Rear Master Cylinder	D12
Generator	D13
Handle Switch. Lever	D14
Electrical 1	D15
Alternate (Chassis)	E2
Optional Parts 1	E3

INDEX

Numerical Index	M1~M3
-----------------------	-------

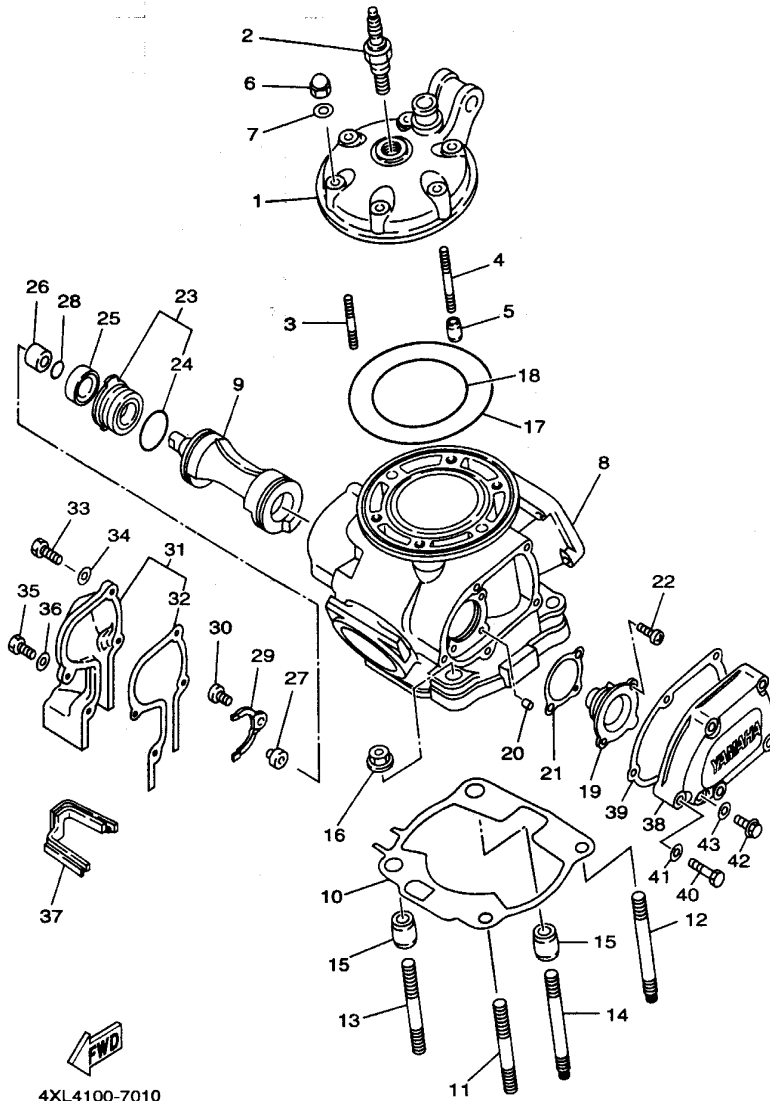
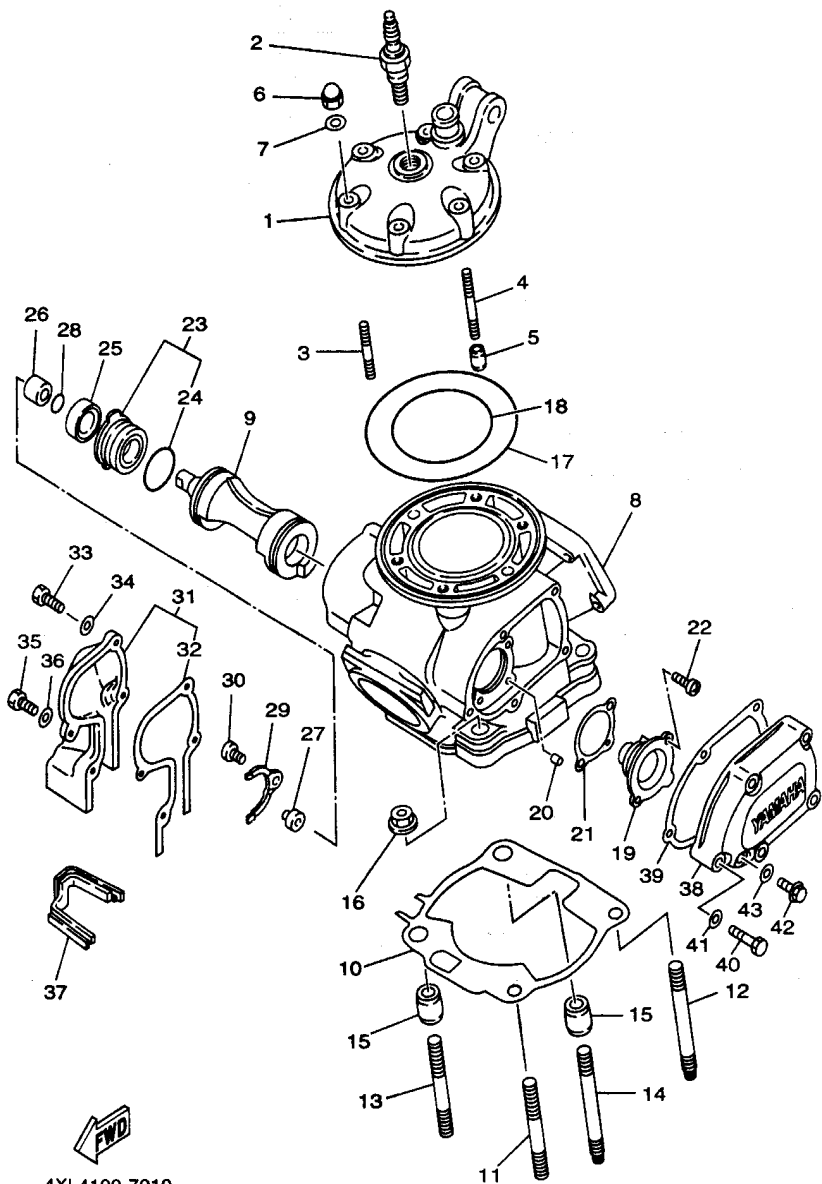


FIG. 1 CYLINDER HEAD

REF. NO.	PART NO.	DESCRIPTION	4XL1	4XL2	4XL3	4XL4	REMARKS
1	4XL-11111-00	HEAD, CYLINDER 1	1	1	1	1	
2	94702-00326	PLUG, SPARK (NGK BR8EG)	1	1		1	
	94709-00326	PLUG, SPARK (NGK BR8EG)			1		
3	90116-08394	BOLT, STUD	4	4	4	4	
4	90116-08392	BOLT, STUD	2	2	2	2	
5	99530-10114	PIN, DOWEL	2	2	2	2	
6	90176-08026	NUT, CROWN	6	6	6	6	
7	90201-08087	WASHER, PLATE	6	6	6	6	
8	4XL-11311-00	CYLINDER 1	1	1	1	1	
9	4XL-1131A-00	VALVE 1	1	1	1	1	
10	4XL-11351-00	GASKET, CYLINDER	1	1	1	1	
11	90116-10314	BOLT, STUD	1	1	1	1	
12	90116-10547	BOLT, STUD	1	1	1	1	
13	90116-10314	BOLT, STUD	1	1	1	1	
14	90116-10547	BOLT, STUD	1	1	1	1	
15	99530-14016	PIN, DOWEL	2	2	2	2	
16	95707-10500	NUT, FLANGE	4	4	4	4	
17	93210-77363	O-RING	1	1	1	1	
18	93211-11770	O-RING	1	1	1	1	
19	3JE-Y113E-00	HOLDER 1	1	1	1	1	
20	93604-08071	PIN, DOWEL	1	1	1	1	
21	3JE-1131N-10	GASKET, HOLDER	1	1	1	1	
22	98507-05012	SCREW, PAN HEAD	2	2	2	2	
23	5X4-Y113F-10	HOLDER 2 ASSY	1	1	1	1	
24	93210-270A8	.O-RING	1	1	1	1	
25	93104-16074	OIL SEAL	1	1	1	1	
26	90387-102W0	COLLAR	1	1	1	1	

B2

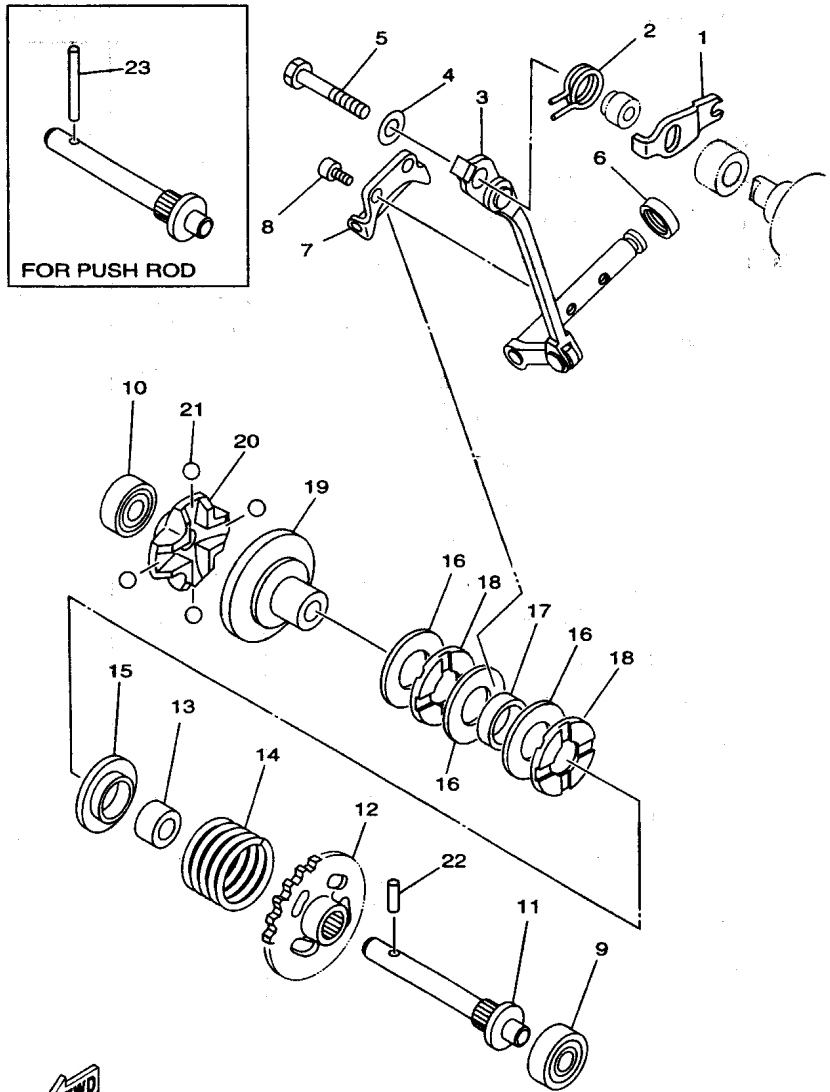
FIG. 1 CYLINDER HEAD



4XL4100-7010

REF. NO.	PART NO.	DESCRIPTION	4XL1	4XL2	4XL3	4XL4	REMARKS
27	3JE-11937-01	BOSS, LEVER	1	1	1	1	
28	93210-09192	O-RING	1	1	1	1	
29	1LX-11915-00	PLATE, THRUST 1	1	1	1	1	
30	98507-05008	SCREW, PAN HEAD	1	1	1	1	
31	3SP-11992-11	HOUSING 2	1	1	1	1	
32	3SP-11993-10	GASKET	1	1	1	1	
33	97007-05020	BOLT	2	2	2	2	
34	92907-05600	WASHER, PLATE	2	2	2	2	
35	97007-05016	BOLT	2	2	2	2	
36	92907-05600	WASHER, PLATE	2	2	2	2	
37	2VM-11995-01	SEAL, HOUSING	1	1	1	1	
38	4MX-1131M-00	COVER	1	1	1	1	
39	4MX-11354-00	GASKET	1	1	1	1	
40	97017-05030	BOLT	5	5	5	5	
41	92907-05600	WASHER, PLATE	5	5	5	5	
42	95027-06008	BOLT, FLANGE	1	1	1	1	
43	90430-06014	GASKET	1	1	1	1	

B3

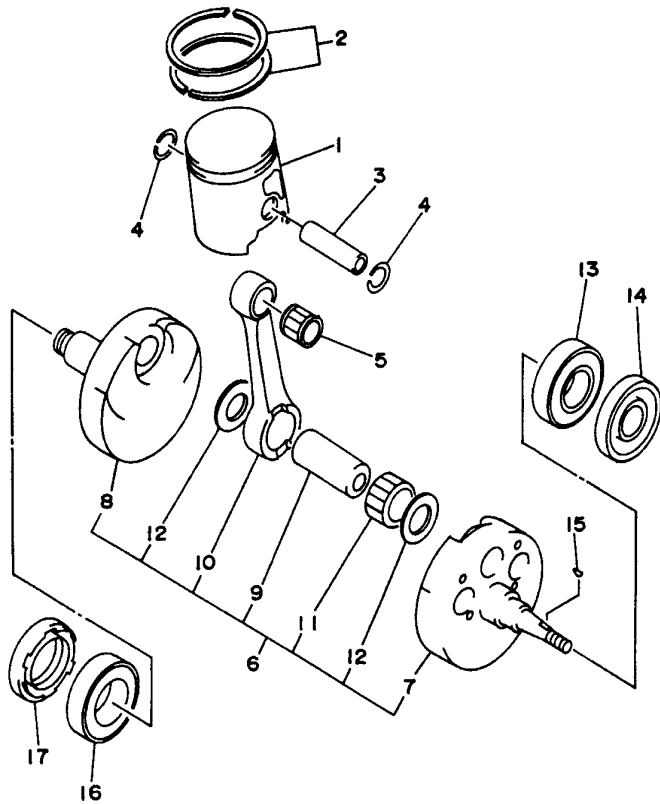


4XL4100-7020

FIG. 2 GOVERNOR

REF. NO.	PART NO.	DESCRIPTION	4XL1	4XL2	4XL3	4XL4	REMARKS
1	3JE-11931-01	LEVER	1	1	1	1	
2	90508-14783	SPRING, TORSION	1	1	1	1	
3	3SP-11990-00	PUSH ROD ASSY	1	1	1	1	
4	90201-057H5	WASHER, PLATE	1	1	1	1	
5	97007-05030	BOLT	1	1	1	1	
6	93104-08040	OIL SEAL	1	1	1	1	
7	3JE-11922-01	FORK, GOVERNOR	1	1	1	1	
8	91317-04006	BOLT	2	2	2	2	
9	93300-60801	BEARING (B0060)	1	1	1	1	KOYO
10	93300-60801	BEARING (B0060)	1	1	1	1	KOYO
11	5X4-11921-02	SHAFT, GOVERNOR	1	1	1	1	
12	24X-11953-01	GEAR, GOVERNOR	1	1	1	1	
13	90560-08213	SPACER	1	1	1	1	
14	90501-210K9	SPRING, COMPRESSION	1	1	1	1	
15	5X4-11952-00	PLATE	1	1	1	1	
16	90201-151A7	WASHER, PLATE (T=1.0)	3	3	3	3	
17	90387-152F2	COLLAR	1	1	1	1	
18	93340-21505	BEARING	2	2	2	2	
19	5X5-11912-01	RETAINER, WEIGHT	1	1	1	1	
20	5X5-11911-01	RETAINER	1	1	1	1	
21	93521-64032	BALL	4	4	4	4	
22	93603-14240	PIN, DOWEL	1	1	1	1	
23	93604-29184	PIN, DOWEL	1	1	1	1	AP FOR PUSH ROD

B4




4SR1100-6030

FIG. 3 CRANKSHAFT. PISTON

REF. NO.	PART NO.	DESCRIPTION	4XL1	4XL2	4XL3	4XL4	REMARKS
1	4SR-11631-00-A0	PISTON (STD)	1	1	1	1	
	4SR-11631-00-B0	PISTON (STD)	1	1	1	1	
	4SR-11631-00-C0	PISTON (STD)	1	1	1	1	
	4SR-11631-00-D0	PISTON (STD)	1	1	1	1	
2	4JX-11603-00	PISTON RING SET (STD)	1	1	1	1	
3	2VM-11633-01	PIN, PISTON	1	1	1	1	
4	93450-19052	CIRCLIP	2	2	2	2	
5	93310-418E9	BEARING	1	1	1	1	
6	4SR-11400-00	CRANKSHAFT ASSY	1	1	1	1	
7	4SR-11410-00	.CRANKSHAFT	1	1	1	1	
8	4SR-11420-00	.CRANKSHAFT	1	1	1	1	
9	4SR-11681-00	.PIN, CRANK 1	1	1	1	1	
10	5X5-11651-03	.ROD, CONNECTING	1	1	1	1	
11	93310-425P2	.BEARING	1	1	1	1	
12	90209-25085	.WASHER	2	2	2	2	
13	93306-37802	BEARING	1	1	1	1	
14	93102-22363	OIL SEAL	1	1	1	1	
15	90280-03045	KEY, WOODRUFF	1	1	1	1	
16	93306-37802	BEARING	1	1	1	1	
17	93103-40091	OIL SEAL	1	1	1	1	

B5

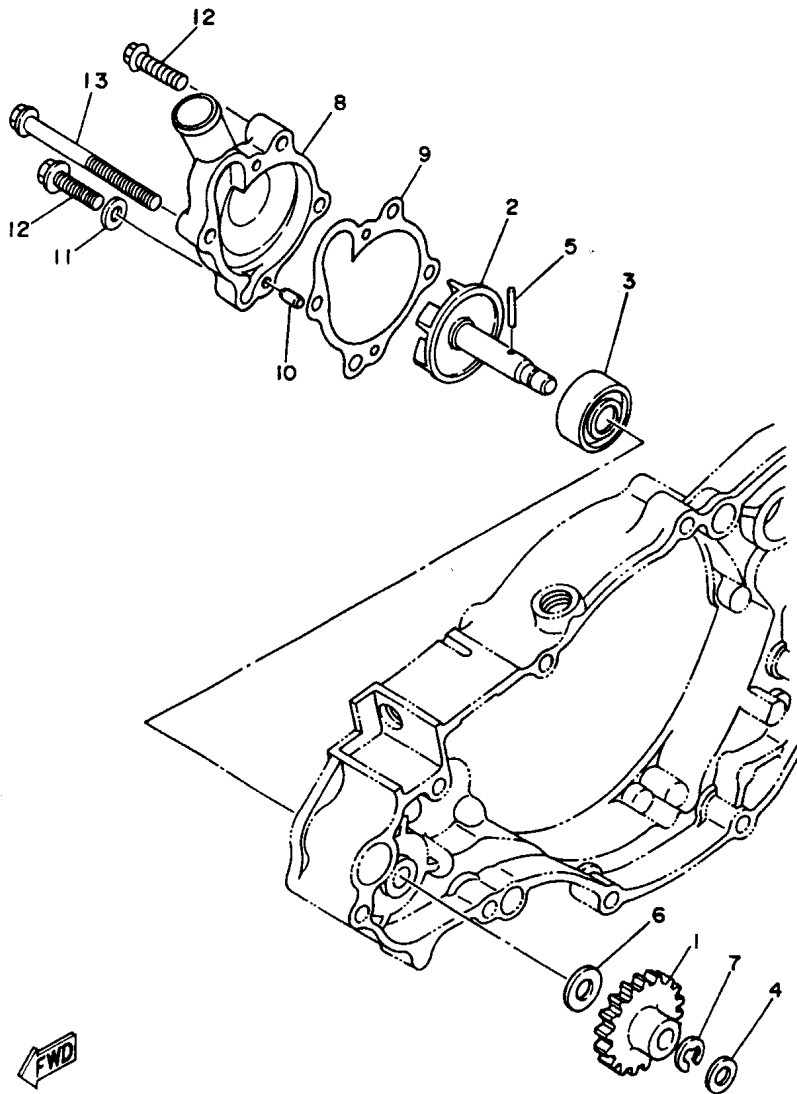


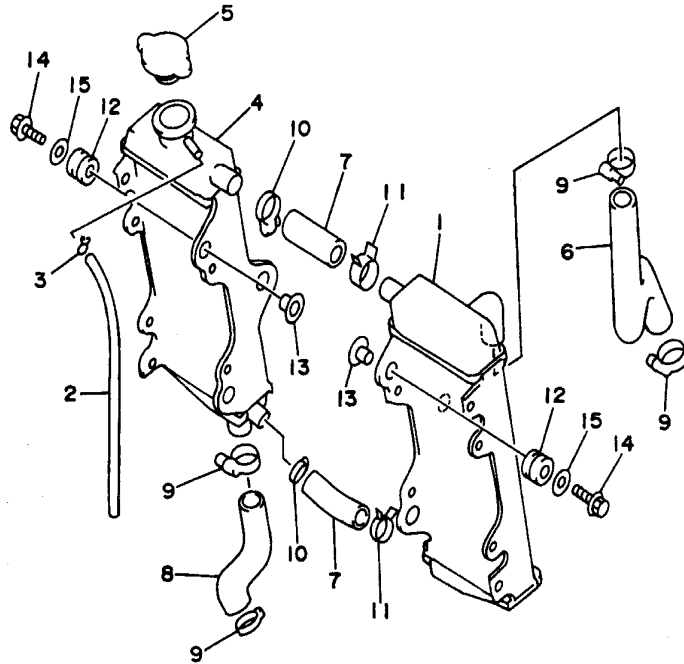
FIG. 4 WATER PUMP

REF. NO.	PART NO.	DESCRIPTION	4XL1	4XL2	4XL3	4XL4	REMARKS
1	4SR-12459-00	GEAR, IMPELLER SHAFT	1	1	1	1	
2	2VM-12450-00	IMPELLER SHAFT ASSY	1	1	1	1	
3	93103-10147	OIL SEAL	1	1	1	1	
4	90201-105E8	WASHER, PLATE	1	1	1	1	
5	93603-22028	PIN, DOWEL	1	1	1	1	
6	90201-08784	WASHER, PLATE	1	1	1	1	
7	99001-06600	CIRCLIP	1	1	1	1	
8	4SR-12422-00	COVER, HOUSING	1	1	1	1	
9	2VM-12428-11	GASKET, HOUSING COVER 2	1	1	1	1	
10	93604-10011	PIN, DOWEL	2	2	2	2	
11	90430-06166	GASKET	1	1	1	1	
12	95027-06025	BOLT, FLANGE	3	3	3	3	
13	95027-06065	BOLT, FLANGE	1	1	1	1	

FWD
4SR1100-6040

B6

FIG. 5 RADIATOR. HOSE



REF. NO.	PART NO.	DESCRIPTION	4XL1	4XL2	4XL3	4XL4	REMARKS
1	4SR-1240A-00	RADIATOR ASSY	1	1	1	1	
2	91A20-05065	TUBE, FLEXIBLE VINYL	1	1	1	1	
3	90467-09006	CLIP	1	1	1	1	
4	4SR-12461-00	RADIATOR ASSY	1	1	1	1	
5	22W-12462-00	CAP, RADIATOR	1	1	1	1	
6	4XL-12481-00	PIPE 1	1	1	1	1	
7	4SS-12482-00	PIPE 2	2	2	2	2	
8	4XL-12484-00	PIPE 4	1	1	1	1	
9	90450-28014	HOSE CLAMP ASSY	4	4	4	4	
10	90450-25037	HOSE CLAMP ASSY	2	2	2	2	
11	90467-21068	CLIP	2	2	2	2	
12	90480-15528	GROMMET	6	6	6	6	
13	90387-0700G	COLLAR	6	6	6	6	
14	95027-06030	BOLT, FLANGE	6	6	6	6	
15	90201-06071	WASHER, PLATE	6	6	6	6	


4SR1100-6050

B7

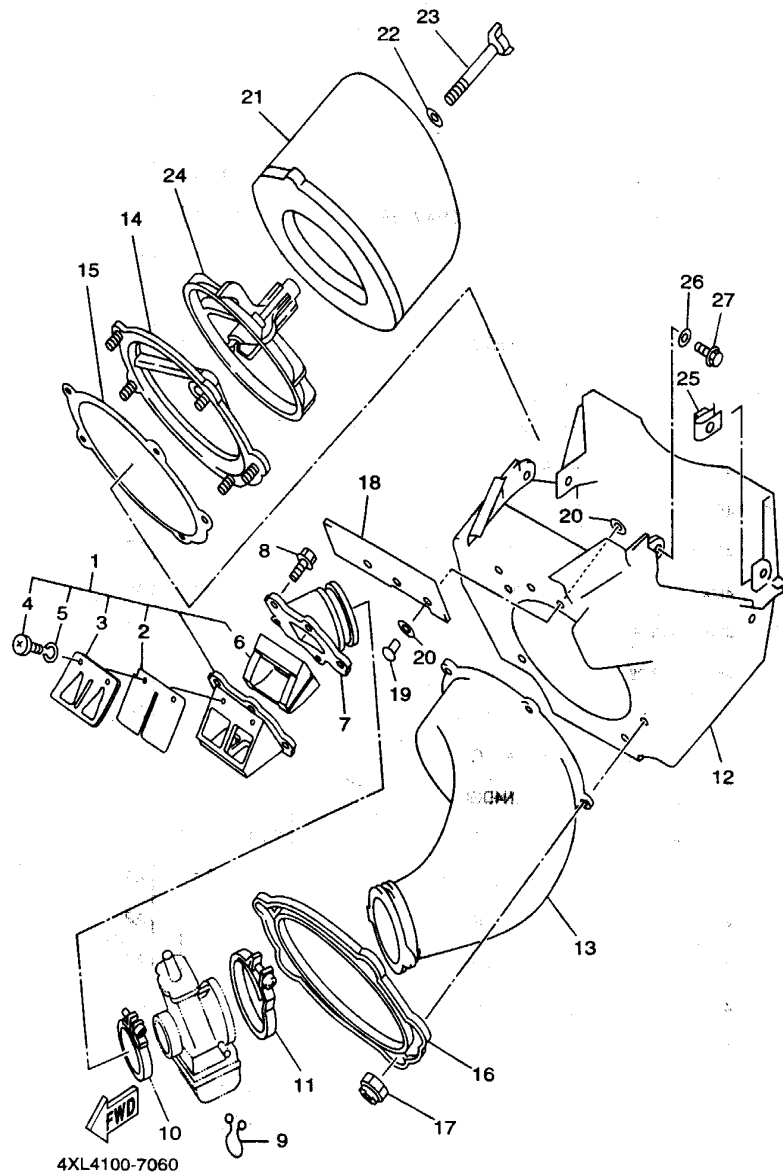


FIG. 6 INTAKE

REF. NO.	PART NO.	DESCRIPTION	4XL1	4XL2	4XL3	4XL4	REMARKS
1	4XL-13610-00	REED VALVE ASSY	1	1	1	1	
2	4XL-13613-00	.REED, VALVE	2	2	2	2	
3	4XL-13616-00	.STOPPER, REED VALVE	2	2	2	2	
4	98507-03008	.SCREW, PAN HEAD	4	4	4	4	
5	92907-03100	.WASHER	4	4	4	4	
6	4XL-13625-00	.SPACER, REED VALVE	1	1	1	1	
7	4XL-13565-00	JOINT, CARBURETOR	1	1	1	1	
8	95027-06020	BOLT, FLANGE	5	5	5	5	
9	90464-16039	CLAMP	2	2	2	2	
10	90450-51070	HOSE CLAMP ASSY	1	1	1	1	
11	90450-70072	HOSE CLAMP ASSY	1	1	1	1	
12	4SS-14401-01	AIR CLEANER CASE ASSY	1	1	1	1	
13	4SR-14453-00	JOINT, AIR CLEANER 1	1	1	1	1	
14	3JD-14459-01	HOLDER, GUIDE	1	1	1	1	
15	3JD-14462-00	SEAL	1	1	1	1	
16	3JD-14477-00	PLATE	1	1	1	1	
17	95607-05100	NUT, U	5	5	5	5	
18	4SS-14417-00	COVER 1	1	1	1	1	
19	90267-32070	RIVET, BLIND	3	3	3	3	
20	90201-03313	WASHER, PLATE	6	6	6	6	
21	4XM-14451-00	ELEMENT, AIR CLEANER	1	1	1	1	
22	90209-06096	WASHER	1	1	1	1	
23	90122-06035	BOLT, WING	1	1	1	1	
24	3JD-14458-01	GUIDE	1	1	1	1	
25	90183-06023	NUT, SPRING	4	4	4	4	
26	90201-061A5	WASHER, PLATE	2	2	2	2	
27	90105-06553	BOLT, WASHER BASED	2	2	2	2	

B8

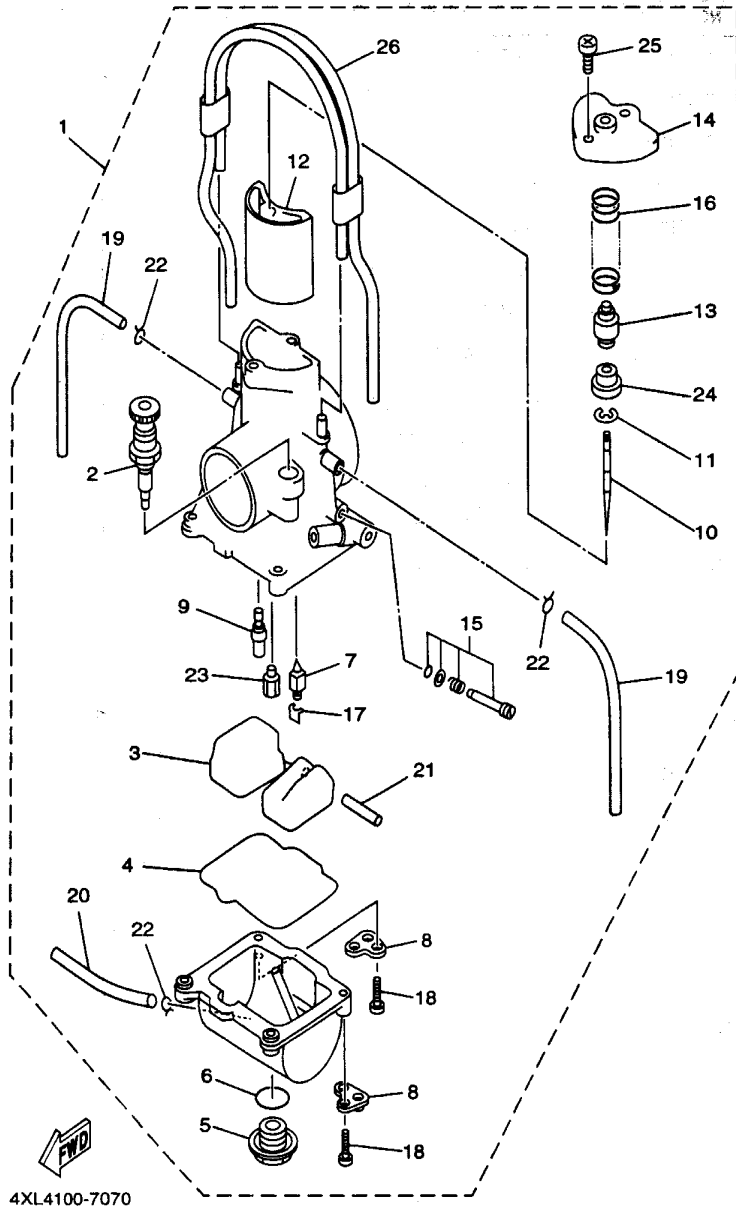
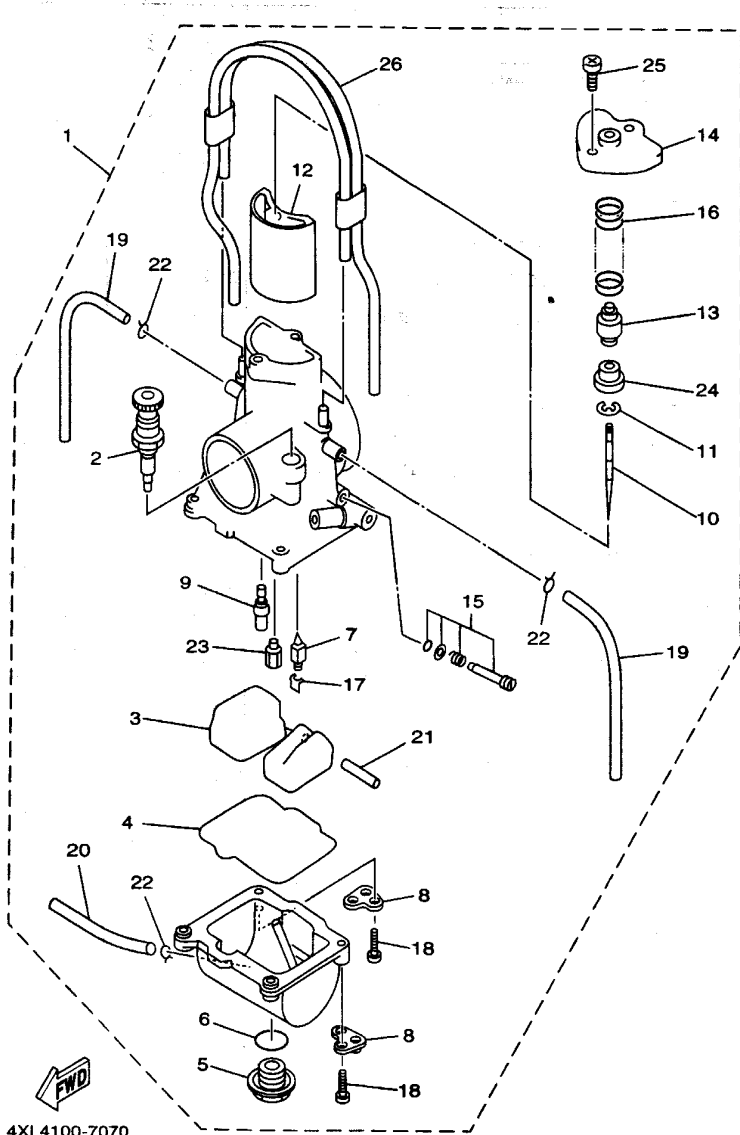


FIG. 7 CARBURETOR

REF. NO.	PART NO.	DESCRIPTION	4XL1	4XL2	4XL3	4XL4	REMARKS
1	4XL-14101-10	CARBURETOR ASSY 1	1		1	1	
	4XL-14101-00	CARBURETOR ASSY 1		1			
2	4SR-14171-00	.PLUNGER, STARTER	1	1	1	1	
3	4SR-14985-00	.FLOAT	1	1	1	1	5
4	4MX-14984-00	.GASKET, FLOAT CHAMBER	1	1	1	1	
5	4MX-14115-00	.PLUG, SCREW	1	1	1	1	
6	4MX-14561-00	.O-RING	1	1	1	1	
7	4MX-14392-00	.VALVE, NEEDLE	1	1	1	1	
8	4XL-14146-00	.PLATE	2	2	2	2	
9	4MX-14948-07	.JET, SLOW (#50)	1		1	1	STD
	4MX-14948-06	.JET, SLOW (#48)		1			STD
	4SR-14948-02	.JET, SLOW (#38)	1	1	1	1	AP
	4SR-14948-03	.JET, SLOW (#40)	1	1	1	1	AP
	4MX-14948-04	.JET, SLOW (#42)	1	1	1	1	AP
	4MX-14948-05	.JET, SLOW (#45)	1	1	1	1	AP
	4MX-14948-08	.JET, SLOW (#52)	1	1	1	1	AP
	4MX-14948-09	.JET, SLOW (#55)	1	1	1	1	AP
10	4XL-14916-VG	.NEEDLE (N3VG)	1		1	1	STD
	4XL-14916-DG	.NEEDLE (N4DG)		1			STD
	4XL-14916-DF	.NEEDLE (N4DF)	1	1	1	1	AP
	4XL-14916-DH	.NEEDLE (N4DH)	1	1	1	1	AP
	4XL-14916-VF	.NEEDLE (N3VF)	1	1	1	1	AP
	4XL-14916-VH	.NEEDLE (N3VH)	1	1	1	1	AP
	4XL-14916-AF	.NEEDLE (N4AF)	1	1	1	1	AP
	4XL-14916-AG	.NEEDLE (N4AG)	1	1	1	1	AP
	4XL-14916-AH	.NEEDLE (N4AH)	1	1	1	1	AP
11	4MX-14919-00	.CLIP	1	1	1	1	

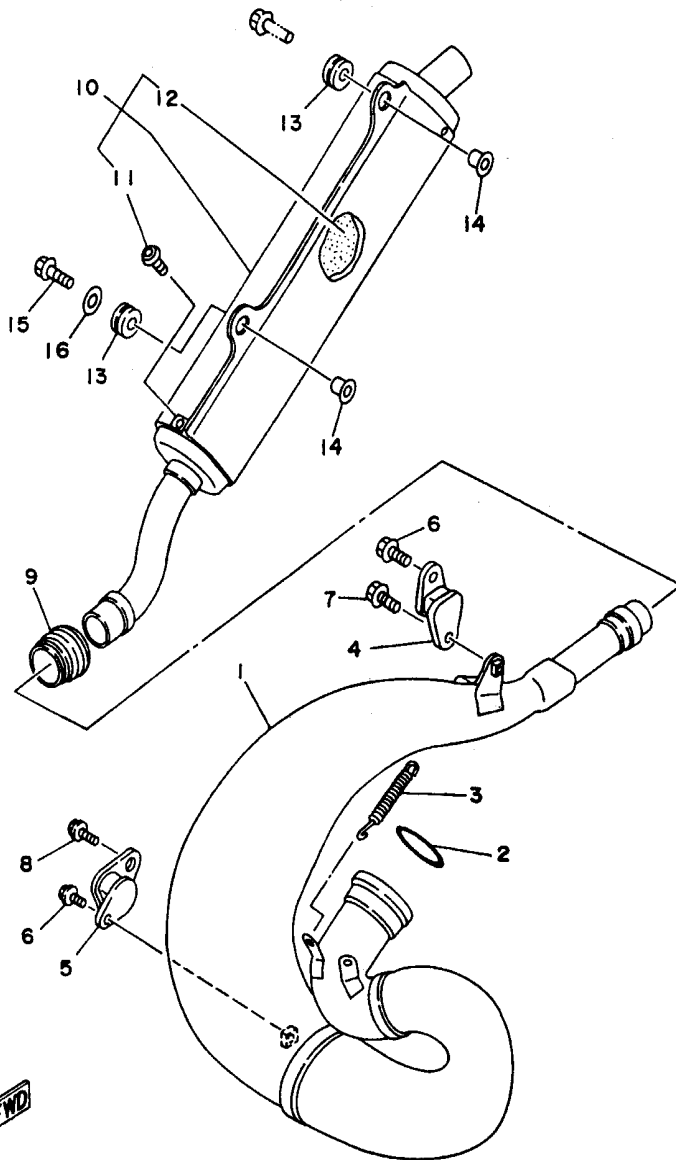


4XL4100-7070

FIG. 7 CARBURETOR

REF. NO.	PART NO.	DESCRIPTION	4XL1	4XL2	4XL3	4XL4	REMARKS
12	4SR-14340-A6	.VALVE ASSY	1	1	1	1	
13	4SR-14261-00	.HOLDER	1	1	1	1	
14	4SR-14126-00	.GASKET	1	1	1	1	
15	4SR-14105-00	.PILOT SCREW SET	1	1	1	1	
16	4MX-14131-00	.SPRING, THROTTLE VALVE	1	1	1	1	
17	663-14159-00	.CLIP	1	1	1	1	
18	98502-04014	.SCREW, PAN HEAD	4	4	4	4	
19	4XL-14197-00	.PIPE	2	2	2	2	
20	4XL-14196-00	.PIPE	1	1	1	1	
21	676-14548-00	.PIN, FLOAT ARM	1	1	1	1	
22	3TJ-14137-40	.CLIP	5	5	5	5	
23	4MX-14943-41	.JET, MAIN (#170)	1	1	1	1	STD
	4SR-14943-90	.JET, MAIN (#162)	1	1	1	1	AP
	4MX-14943-40	.JET, MAIN (#165)	1	1	1	1	AP
	4MX-14943-91	.JET, MAIN (#168)	1	1	1	1	AP
	4MX-14943-92	.JET, MAIN (#172)	1	1	1	1	AP
	4MX-14943-42	.JET, MAIN (#175)	1	1	1	1	AP
	4MX-14943-93	.JET, MAIN (#178)	1	1	1	1	AP
	4MX-14943-43	.JET, MAIN (#180)	1	1	1	1	AP
	4MX-14943-94	.JET, MAIN (#182)	1	1	1	1	AP
	4MX-14943-44	.JET, MAIN (#185)	1	1	1	1	AP
	4MX-14943-95	.JET, MAIN (#188)	1	1	1	1	AP
	4MX-14943-45	.JET, MAIN (#190)	1	1	1	1	AP
24	4MX-14194-00	.RING	1	1	1	1	
25	98502-04012	.SCREW, PAN HEAD	2	2	2	2	
26	4XL-1410E-00	.HOSE	1	1	1	1	

B10

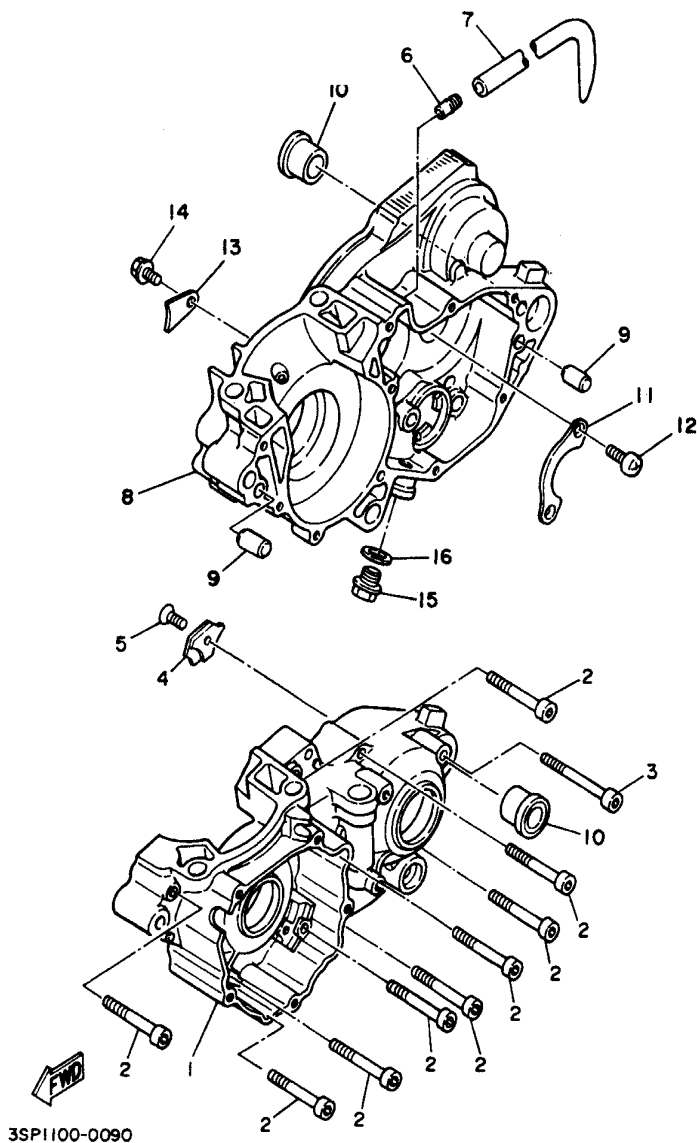


4SR1100-6080

FIG. 8 EXHAUST

REF. NO.	PART NO.	DESCRIPTION					REMARKS
			4XL1	4XL2	4XL3	4XL4	
1	4XL-14610-00	EXHAUST PIPE ASSY 1	1	1	1	1	
2	93210-472A9	O-RING	1	1	1	1	
3	90507-20052	SPRING, TENSION	3	3	3	3	
4	565-14771-00	STAY, MUFFLER 1	1	1	1	1	
5	483-14781-02	STAY, MUFFLER 2	1	1	1	1	
6	95027-06012	BOLT, FLANGE	2	2	2	2	
7	90119-06185	BOLT, WITH WASHER	1	1	1	1	
8	95027-08012	BOLT, FLANGE	1	1	1	1	
9	3JE-14615-01	JOINT, EXHAUST 1	1	1	1	1	
10	4SR-14753-01	SILENCER, EXHAUST	1	1	1	1	
11	92017-06010	BOLT, BUTTON HEAD	2	2	2	2	
12	4SR-1469A-00	FIBER	1	1	1	1	
13	90480-16561	GROMMET	2	2	2	2	
14	90387-063G3	COLLAR	2	2	2	2	
15	95027-06025	BOLT, FLANGE	1	1	1	1	
16	90201-06071	WASHER, PLATE	1	1	1	1	

B11

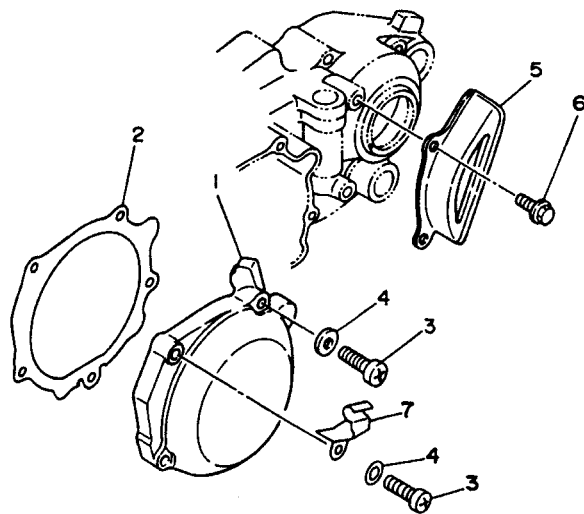
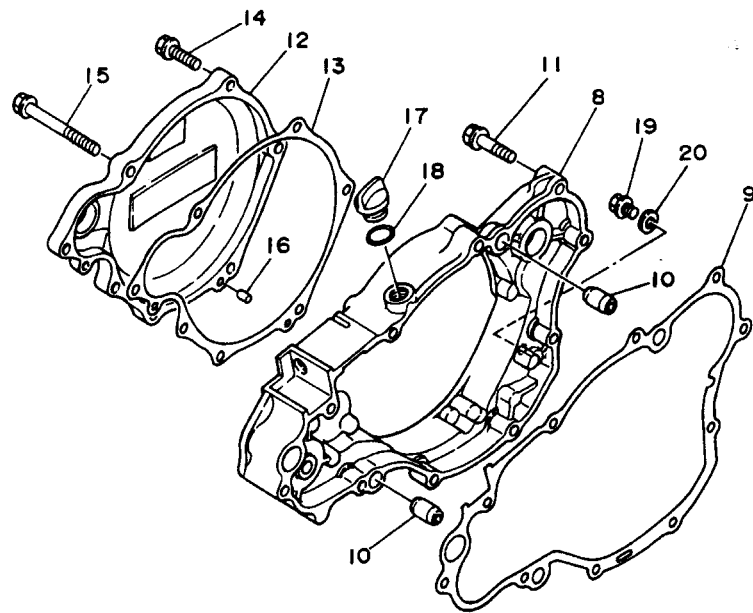


3SP1100-0090

FIG. 9 CRANKCASE

REF. NO.	PART NO.	DESCRIPTION					REMARKS
			4XL1	4XL2	4XL3	4XL4	
1	4XL-15111-00	CRANKCASE 1	1	1	1	1	
2	91317-06050	BOLT	9	9	9	9	
3	91317-06070	BOLT	1	1	1	1	
4	3SP-15381-00	PLATE, BEARING COVER	1	1	1	1	
5	90151-06037	SCREW, COUNTERSUNK	1	1	1	1	
6	353-13115-01	CONNECTOR, SUCTION PIPE	1	1	1	1	
7	90445-086A8	HOSE	1	1	1	1	
8	4XL-15121-00	CRANKCASE 2	1	1	1	1	
9	93612-16254	PIN, DOWEL	2	2	2	2	
10	90387-160H4	COLLAR	2	2	2	2	
11	4L0-17471-00	PLATE, COVER	1	1	1	1	
12	90157-06077	SCREW, PAN HEAD	2	2	2	2	
13	4V4-15118-00	HOLDER	1	1	1	1	
14	90105-06556	BOLT, WASHER BASED	1	1	1	1	
15	90340-12059	PLUG, STRAIGHT SCREW	1	1	1	1	
16	90430-12227	GASKET	1	1	1	1	

B12



4SR1100-6100



FIG. 10 CRANKCASE COVER 1

REF. NO.	PART NO.	DESCRIPTION	4XL1	4XL2	4XL3	4XL4	REMARKS
1	2VM-15411-00	COVER, CRANKCASE 1	1	1	1	1	
2	2VM-15451-11	GASKET, CRANKCASE COVER 1	1	1	1	1	
3	98507-06030	SCREW, PAN HEAD	5	5	5	5	
4	92907-06600	WASHER, PLATE	5	5	5	5	
5	2VM-15421-02	COVER, CRANKCASE 2	1	1	1	1	
6	95027-06012	BOLT, FLANGE	2	2	2	2	
7	4SR-15441-00	HOLDER, CLUTCH CABLE	1	1	1	1	
8	3SP-Y1543-00	COVER, CRANKCASE 3	1	1	1	1	
9	2VM-15462-10	GASKET, CRANKCASE COVER 3	1	1	1	1	
10	99530-12016	PIN, DOWEL	2	2	2	2	
11	95027-06030	BOLT, FLANGE	7	7	7	7	
12	4EW-15415-00	COVER, GENERATOR	1	1	1	1	
13	3SP-15463-11	GASKET, CARBURETOR COVER 2	1	1	1	1	
14	95027-06025	BOLT, FLANGE	5	5	5	5	
15	95027-06070	BOLT, FLANGE	2	2	2	2	
16	93604-10011	PIN, DOWEL	2	2	2	2	
17	1G8-15362-00	PLUG, OIL LEVEL	1	1	1	1	
18	93210-14104	O-RING	1	1	1	1	
19	95027-06008	BOLT, FLANGE	1	1	1	1	
20	90430-06014	GASKET	1	1	1	1	

B13

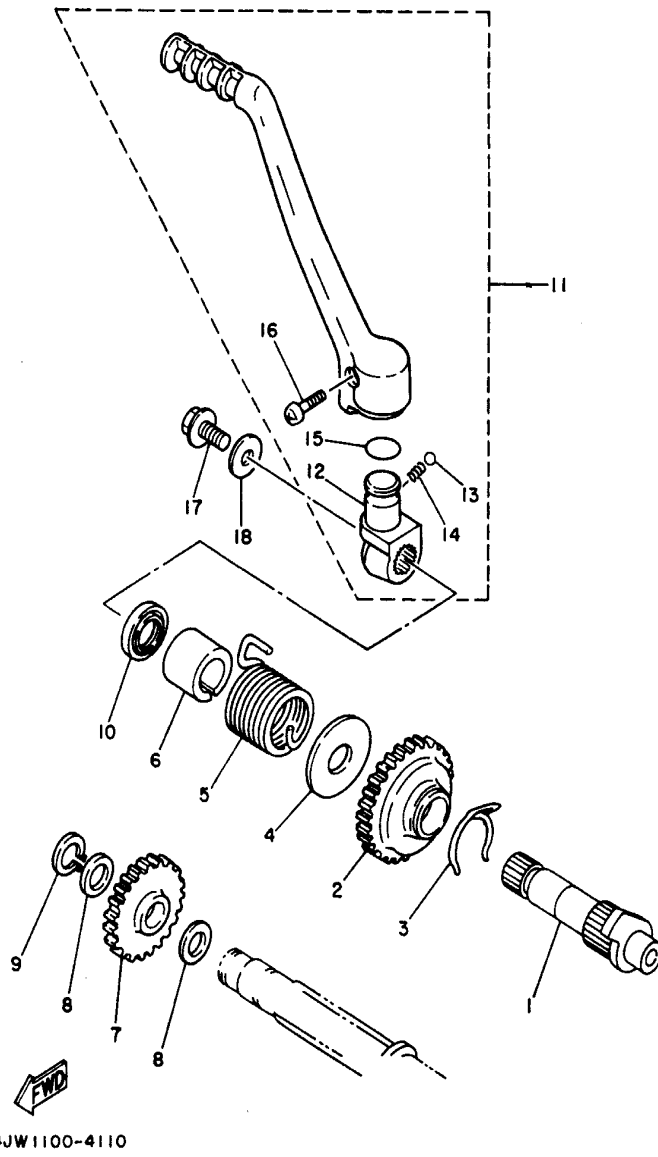
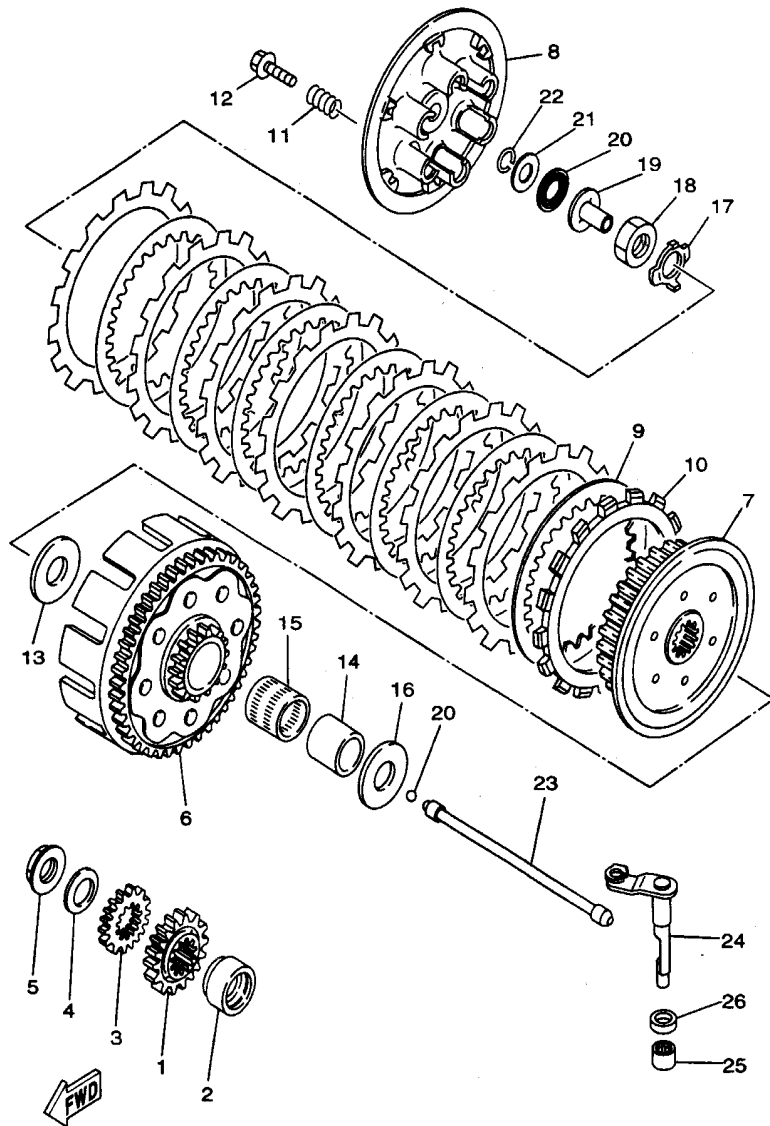


FIG. 11 STARTER

REF. NO.	PART NO.	DESCRIPTION	4XL1	4XL2	4XL3	4XL4	REMARKS
1	4JW-15660-00	KICK AXLE ASSY	1	1	1	1	
2	3R4-15641-00	GEAR, KICK (26T)	1	1	1	1	
3	90468-26048	CLIP	1	1	1	1	
4	90201-20358	WASHER, PLATE	1	1	1	1	
5	90508-30743	SPRING, TORSION	1	1	1	1	
6	2VM-15664-00	GUIDE, SPRING	1	1	1	1	
7	38V-15651-00	GEAR, KICK IDLE (23T)	1	1	1	1	
8	90201-17545	WASHER, PLATE	2	2	2	2	
9	99009-17400	CIRCLIP	1	1	1	1	
10	93102-20309	OIL SEAL	1	1	1	1	
11	4JW-15620-00	KICK CRANK ASSY	1	1	1	1	
12	3SP-15621-02	.BOSS, KICK CRANK	1	1	1	1	
13	93501-04011	.BALL	1	1	1	1	
14	90501-13720	.SPRING, COMPRESSION	1	1	1	1	
15	93210-19216	.O-RING	1	1	1	1	
16	90157-06048	.SCREW, PAN HEAD	1	1	1	1	
17	95027-08020	BOLT, FLANGE	1	1	1	1	
18	90201-087A9	WASHER, PLATE	1	1	1	1	



4XL4100-7120

FIG. 12 CLUTCH

REF. NO.	PART NO.	DESCRIPTION	4XL1	4XL2	4XL3	4XL4	REMARKS
1	2VM-16111-00	GEAR, PRIMARY DRIVE	1	1	1	1	
2	90387-252F6	COLLAR	1	1	1	1	
3	3XK-11956-00	GEAR, GOVERNOR DRIVE	1	1	1	1	
4	90208-18025	WASHER, CONICAL SPRING	1	1	1	1	
5	90179-18172	NUT	1	1	1	1	
6	4EW-16150-01	PRIMARY DRIVEN GEAR COMP.	1	1	1	1	
7	4EW-16371-01	BOSS, CLUTCH	1	1	1	1	
8	4EW-16351-01	PLATE, PRESSURE 1	1	1	1	1	
9	4X7-16325-00	PLATE, CLUTCH 2	7	7	7	7	
10	3XK-16321-00	PLATE, FRICTION	8	8	8	8	
11	90501-23598	SPRING, COMPRESSION	6	6	6	6	
12	90159-06016	SCREW, WITH WASHER	6	6	6	6	
13	2K7-16154-00	PLATE, THRUST 1	1	1	1	1	
14	2VM-16181-00	SPACER 1	1	1	1	1	
15	93310-230T7	BEARING	1	1	1	1	
16	3SP-16154-00	PLATE, THRUST 1	1	1	1	1	
17	90215-20231	WASHER, LOCK	1	1	1	1	
18	90170-20255	NUT	1	1	1	1	
19	4XL-16356-00	ROD, PUSH 1	1	1	1	1	
20	93340-21505	BEARING	1	1	1	1	
21	90201-125L6	WASHER, PLATE	1	1	1	1	
22	93440-10085	CIRCLIP	1	1	1	1	
23	4EW-16357-00	ROD, PUSH 2	1	1	1	1	
24	4EW-16381-01	PUSH LEVER COMP.	1	1	1	1	
25	93315-11206	BEARING	1	1	1	1	
26	93102-12224	OIL SEAL	1	1	1	1	

B15

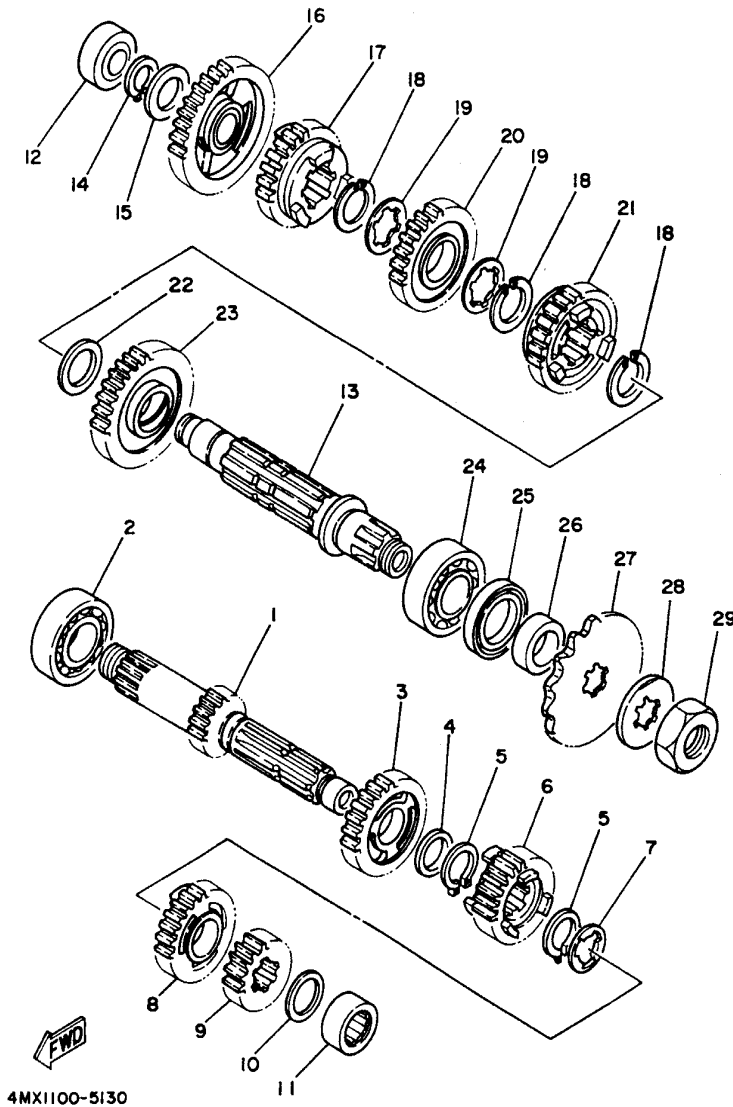
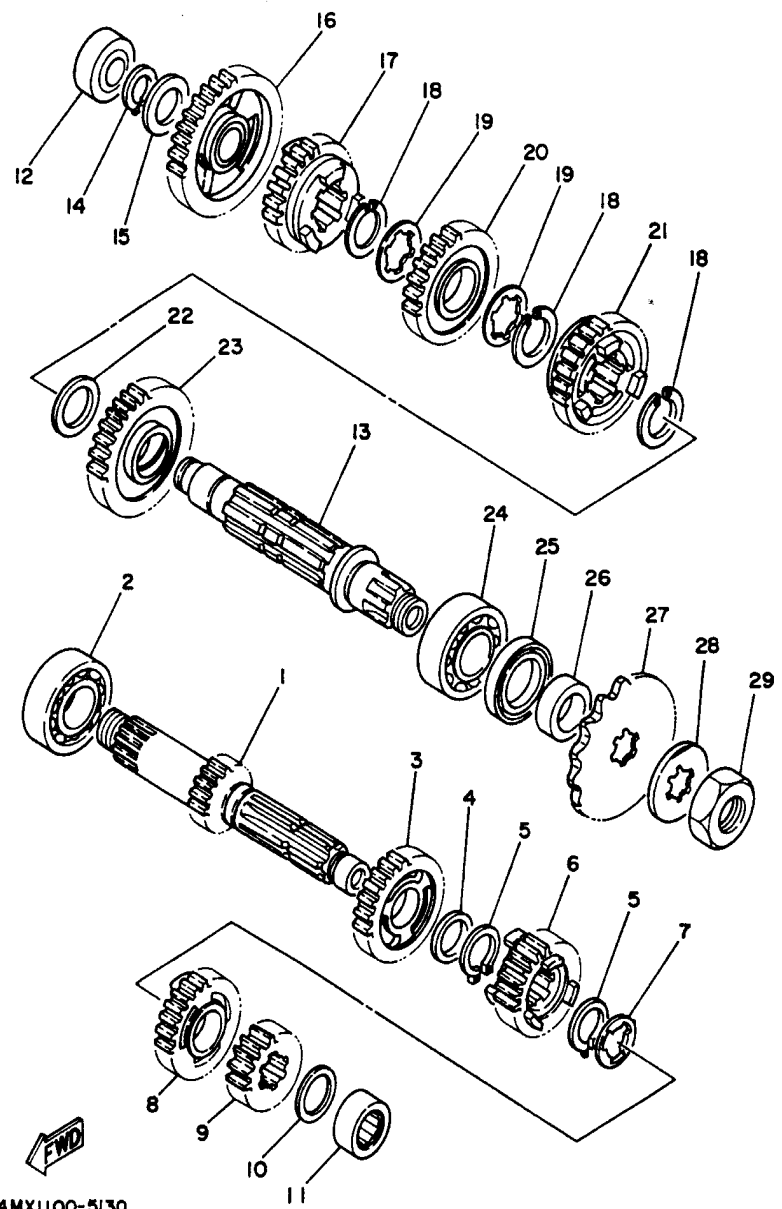


FIG. 13 TRANSMISSION

REF. NO.	PART NO.	DESCRIPTION	4XL1	4XL2	4XL3	4XL4	REMARKS
1	4JX-17411-00	AXLE, MAIN	1	1	1	1	
2	93306-20540	BEARING	1	1	1	1	
3	4MX-17151-00	GEAR, 5TH PINION	1	1	1	1	
4	90201-22555	WASHER, PLATE	1	1	1	1	
5	93410-22039	CIRCLIP	2	2	2	2	
6	4XL-17131-00	GEAR, 3RD PINION	1	1	1	1	
7	90209-18135	WASHER	1	1	1	1	
8	4XL-17141-00	GEAR, 4TH PINION	1	1	1	1	
9	4JX-17121-00	GEAR, 2ND PINION	1	1	1	1	
10	90209-17311	WASHER	1	1	1	1	
11	93311-41734	BEARING	1	1	1	1	
12	93311-62035	BEARING	1	1	1	1	
13	2VM-17421-01	AXLE, DRIVE	1	1	1	1	S
14	93410-20038	CIRCLIP	1	1	1	1	
15	90201-20278	WASHER, PLATE	1	1	1	1	
16	4MX-17211-00	GEAR, 1ST WHEEL	1	1	1	1	
17	4XL-17251-00	GEAR, 5TH WHEEL	1	1	1	1	
18	93440-25084	CIRCLIP	3	3	3	3	
19	90209-22082	WASHER (0.5T)	2	2	2	2	
20	4XL-17231-00	GEAR, 3RD WHEEL	1	1	1	1	
21	4XL-17241-00	GEAR, 4TH WHEEL	1	1	1	1	
22	90201-253K0	WASHER, PLATE (T=1.0)	1	1	1	1	
23	4XL-17221-00	GEAR, 2ND WHEEL	1	1	1	1	
24	93306-20574	BEARING	1	1	1	1	
25	93102-32337	OIL SEAL	1	1	1	1	
26	90387-25663	COLLAR	1	1	1	1	
27	93834-13207	SPROCKET, DRIVE (13T)	1	1	1	1	STD

C2

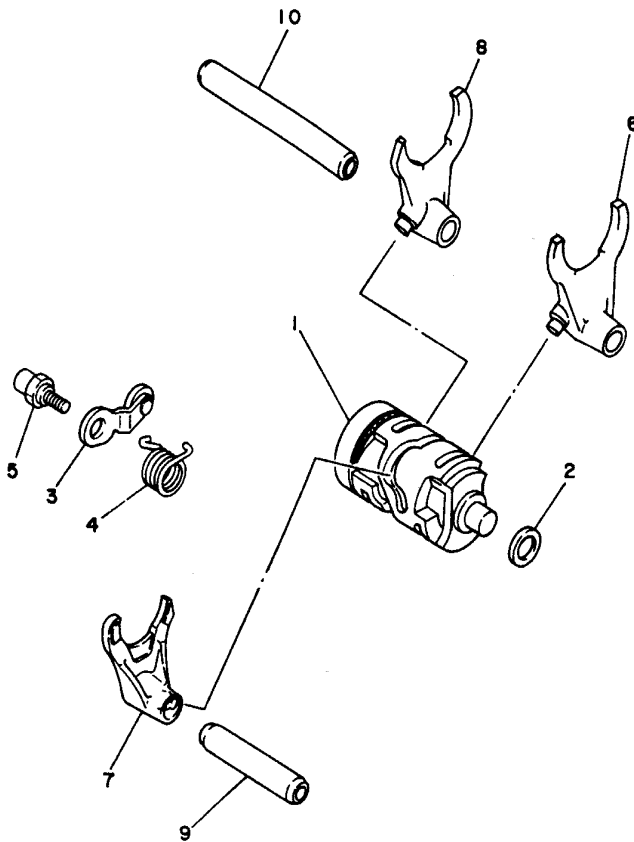


4MX1100-5130

FIG. 13 TRANSMISSION

REF. NO.	PART NO.	DESCRIPTION	4XL1	4XL2	4XL3	4XL4	REMARKS
27	93834-14049	SPROCKET,DRIVE 14T(1W41746140)	1	1	1	1	AP
	93834-15075	SPROCKET,DRIVE 15T(1W41746150)	1	1	1	1	AP
28	90215-21239	WASHER, LOCK	1	1	1	1	
29	90179-20255	NUT	1	1	1	1	

C3



4SR1100-6140

FIG. 14 SHIFT CAM. FORK

REF. NO.	PART NO.	DESCRIPTION	4XL1	4XL2	4XL3	4XL4	REMARKS
1	3XK-18540-01	SHIFT CAM ASSY	1	1	1	1	
2	90201-12166	WASHER, PLATE	1	1	1	1	
3	3XK-18140-00	STOPPER LEVER ASSY	1	1	1	1	
4	90508-26561	SPRING, TORSION	1	1	1	1	
5	3XK-18177-00	BOLT, STOPPER	1	1	1	1	
6	4SR-18511-00	FORK, SHIFT 1	1	1	1	1	
7	2VM-18512-00	FORK, SHIFT 2	1	1	1	1	
8	4SR-18513-00	FORK, SHIFT 3	1	1	1	1	
9	4EX-18531-00	BAR, SHIFT FORK GUIDE 1	1	1	1	1	
10	3XV-18535-00	BAR, SHIFT FORK GUIDE 2	1	1	1	1	

C4

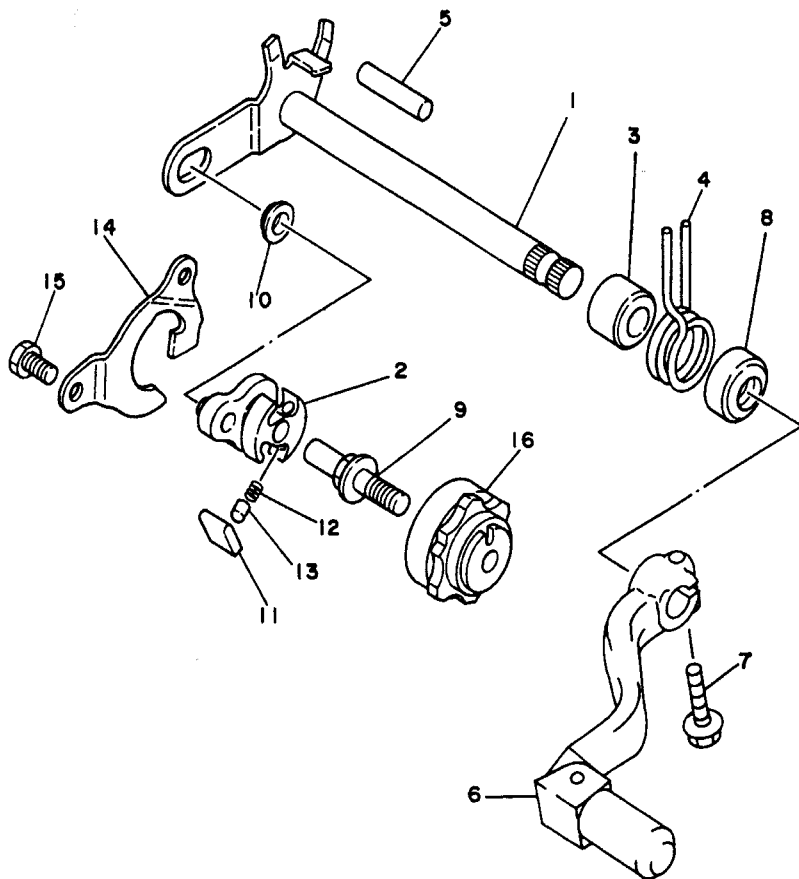


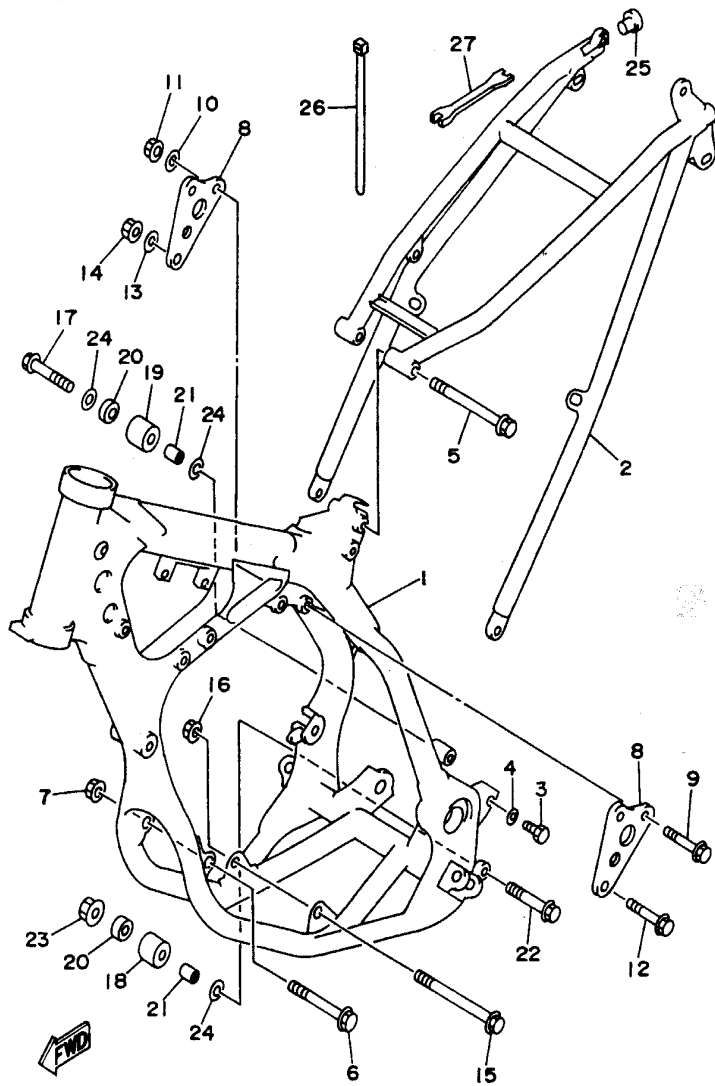
FIG. 15 SHIFT SHAFT

REF. NO.	PART NO.	DESCRIPTION	4XL1	4XL2	4XL3	4XL4	REMARKS
1	3XK-18101-02	SHIFT SHAFT ASSY	1	1	1	1	
2	3XK-18122-00	LEVER, SHIFT 2	1	1	1	1	
3	90560-12280	SPACER	1	1	1	1	
4	90508-291A8	SPRING, TORSION	1	1	1	1	
5	93608-33046	PIN, DOWEL	1	1	1	1	
6	4SS-18110-00	SHIFT PEDAL ASSY	1	1	1	1	
7	95027-06020	BOLT, FLANGE	1	1	1	1	
8	93101-12004	OIL SEAL	1	1	1	1	
9	3XJ-18173-00	PIN, SHIFT	1	1	1	1	
10	3XJ-18178-00	ROLLER, SHIFT LEVER	1	1	1	1	
11	3XJ-18182-00	PAWL, SHIFTER	2	2	2	2	
12	90501-052G5	SPRING, COMPRESSION	2	2	2	2	
13	3XJ-18184-00	PIN, PAWL	2	2	2	2	
14	4DA-18172-00	GUIDE, SHIFT	1	1	1	1	
15	90101-06664	BOLT	2	2	2	2	
16	4EW-18185-00	SEGMENT	1	1	1	1	



4SR1100-6150

C5



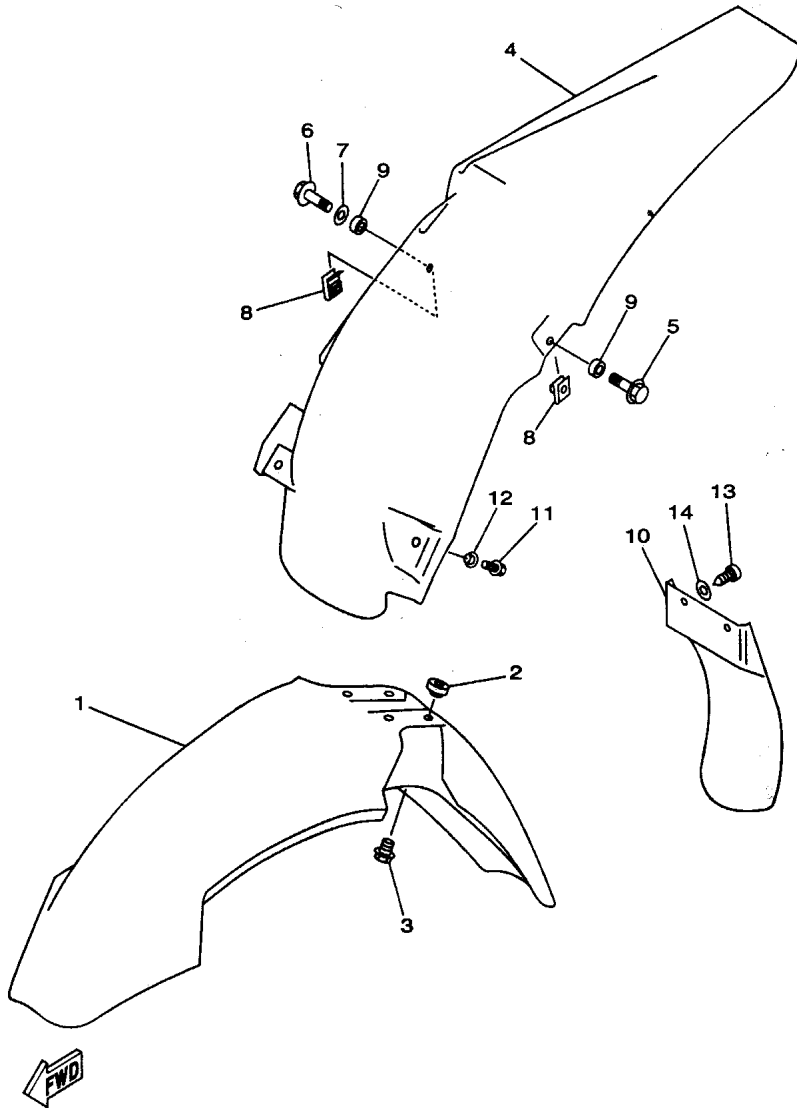
4SR1100-6160

FIG. 16 FRAME

REF. NO.	PART NO.	DESCRIPTION	4XL1	4XL2	4XL3	4XL4	REMARKS
1	4XL-21101-00-2F	FRONT FRAME COMP.	1	1	1	1	SB
2	4XM-21190-10-2F	REAR FRAME COMP.	1	1	1	1	SB
3	90106-08051	BOLT	2	2	2	2	
4	90201-080E2	WASHER, PLATE	2	2	2	2	
5	90105-08099	BOLT, WASHER BASED	1	1	1	1	
6	95817-10100	BOLT, FLANGE	1	1	1	1	
7	95617-10200	NUT, SELF-LOCKING	1	1	1	1	
8	4XL-21425-00	BRACKET, REAR UPPER 1	2	2	2	2	
9	95817-08050	BOLT, FLANGE	2	2	2	2	
10	90201-08730	WASHER, PLATE	2	2	2	2	
11	95607-08200	NUT, SELF-LOCKING	2	2	2	2	
12	95817-10050	BOLT, FLANGE	1	1	1	1	
13	92907-10200	WASHER, PLAIN	1	1	1	1	
14	95617-10200	NUT, SELF-LOCKING	1	1	1	1	
15	90105-10733	BOLT, WASHER BASED	1	1	1	1	
16	95617-10200	NUT, SELF-LOCKING	1	1	1	1	
17	95027-08040	BOLT, FLANGE	1	1	1	1	
18	3JD-22178-10	TENSIONER	1	1	1	1	
19	4EW-22178-00	TENSIONER	1	1	1	1	
20	93300-60804	BEARING	2	2	2	2	
21	90387-086N4	COLLAR	2	2	2	2	
22	95027-08065	BOLT, FLANGE	1	1	1	1	
23	95707-08500	NUT, FLANGE	1	1	1	1	
24	90201-086P8	WASHER, PLATE	3	3	3	3	
25	90338-16148	PLUG	2	2	2	2	
26	90464-15152	CLAMP	1	1	1	1	
27	56A-28166-00	WRENCH, HEXAGON	1	1	1	1	

C6

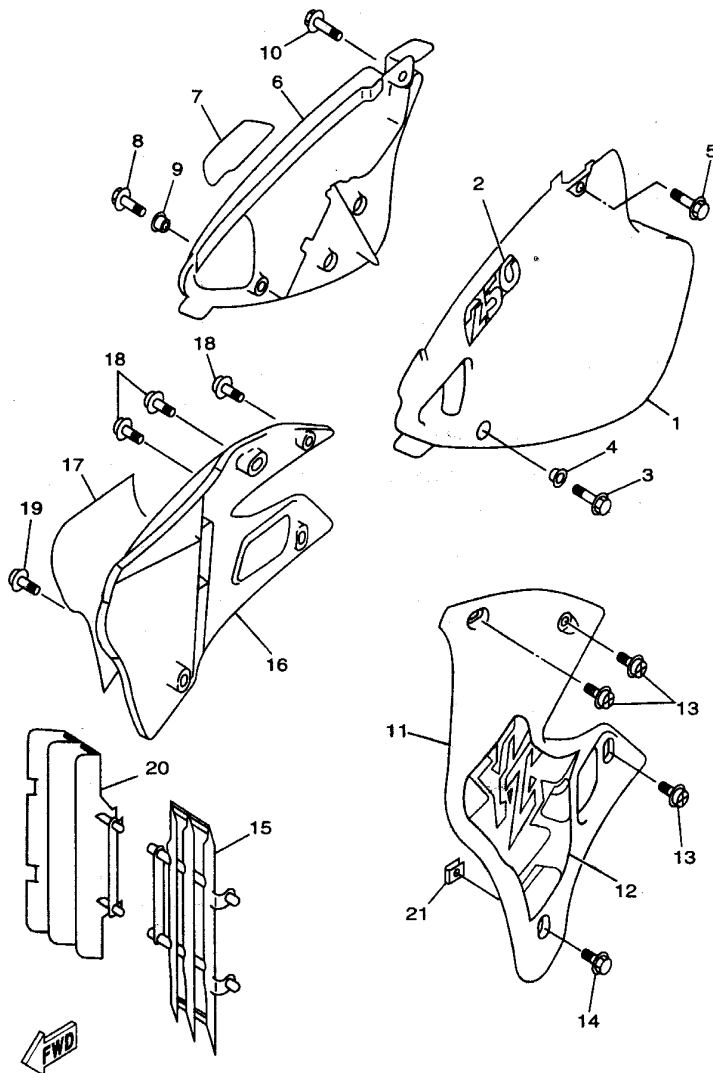
FIG. 17 FENDER



4SR1100-6170

REF. NO.	PART NO.	DESCRIPTION	4XL1	4XL2	4XL3	4XL4	REMARKS
1	4DA-21511-10	FENDER, FRONT	1	1	1	1	
2	3JD-21748-00	COLLAR	4	4	4	4	
3	90119-06096	BOLT, WITH WASHER	4	4	4	4	
4	4SS-21611-00	FENDER, REAR	1	1	1	1	
5	95027-06012	BOLT, FLANGE	1	1	1	1	
6	95027-06030	BOLT, FLANGE	1	1	1	1	
7	90201-06071	WASHER, PLATE	1	1	1	1	
8	90183-06023	NUT, SPRING	2	2	2	2	
9	90387-0701A	COLLAR	2	2	2	2	
10	4ES-21642-00	GUARD, FLAP	1	1	1	1	
11	95027-06020	BOLT, FLANGE	2	2	2	2	
12	90387-0600F	COLLAR	2	2	2	2	
13	97707-60016	SCREW, TAPPING	2	2	2	2	
14	90201-06557	WASHER, PLATE	2	2	2	2	

C7

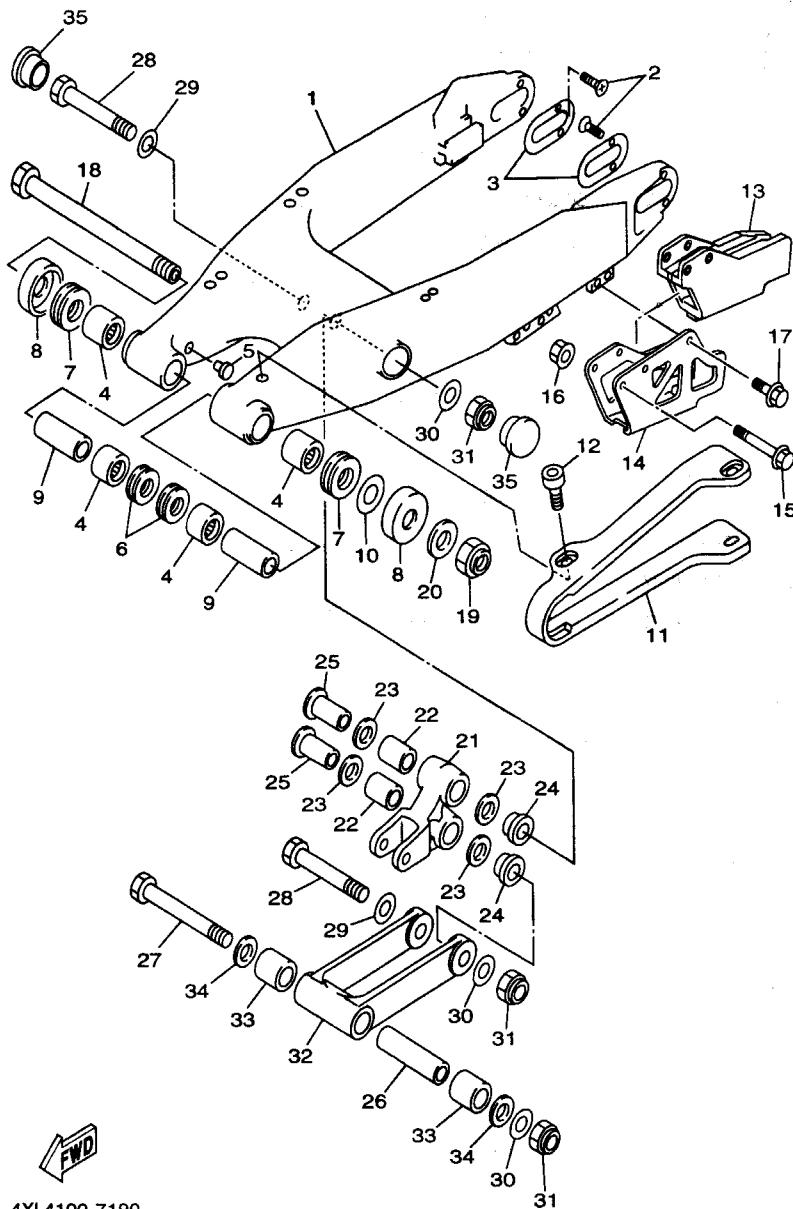


4XL4100-7180

FIG. 18 SIDE COVER

REF. NO.	PART NO.	DESCRIPTION	4XL1	4XL2	4XL3	4XL4	REMARKS
1	4SS-21711-00	COVER, SIDE 1	1	1	1	1	
2	4XK-21781-00	EMBLEM 1	1	1	1	1	
3	95827-06016	BOLT, FLANGE	1	1	1	1	
4	90387-0600F	COLLAR	1	1	1	1	
5	95827-06016	BOLT, FLANGE	1	1	1	1	
6	4SS-21721-00	COVER, SIDE 2	1	1	1	1	
7	4XK-21781-00	EMBLEM 1	1	1	1	1	
8	95827-06016	BOLT, FLANGE	1	1	1	1	
9	90387-0600F	COLLAR	1	1	1	1	
10	95827-06016	BOLT, FLANGE	1	1	1	1	
11	4SS-21731-00	COVER, SIDE 3	1	1	1	1	
12	4XL-2173E-00	GRAPHIC 1	1	1	1	1	
13	90159-06182	SCREW, WITH WASHER	3	3	3	3	
14	90159-06078	SCREW, WITH WASHER	1	1	1	1	
15	4EW-2172A-10	PANEL 1	1	1	1	1	
16	4SS-21741-00	COVER, SIDE 4	1	1	1	1	
17	4XL-2173F-00	GRAPHIC 2	1	1	1	1	
18	90159-06182	SCREW, WITH WASHER	3	3	3	3	
19	90159-06078	SCREW, WITH WASHER	1	1	1	1	
20	4EW-2172A-10	PANEL 1	1	1	1	1	
21	90183-06069	NUT, SPRING	2	2	2	2	

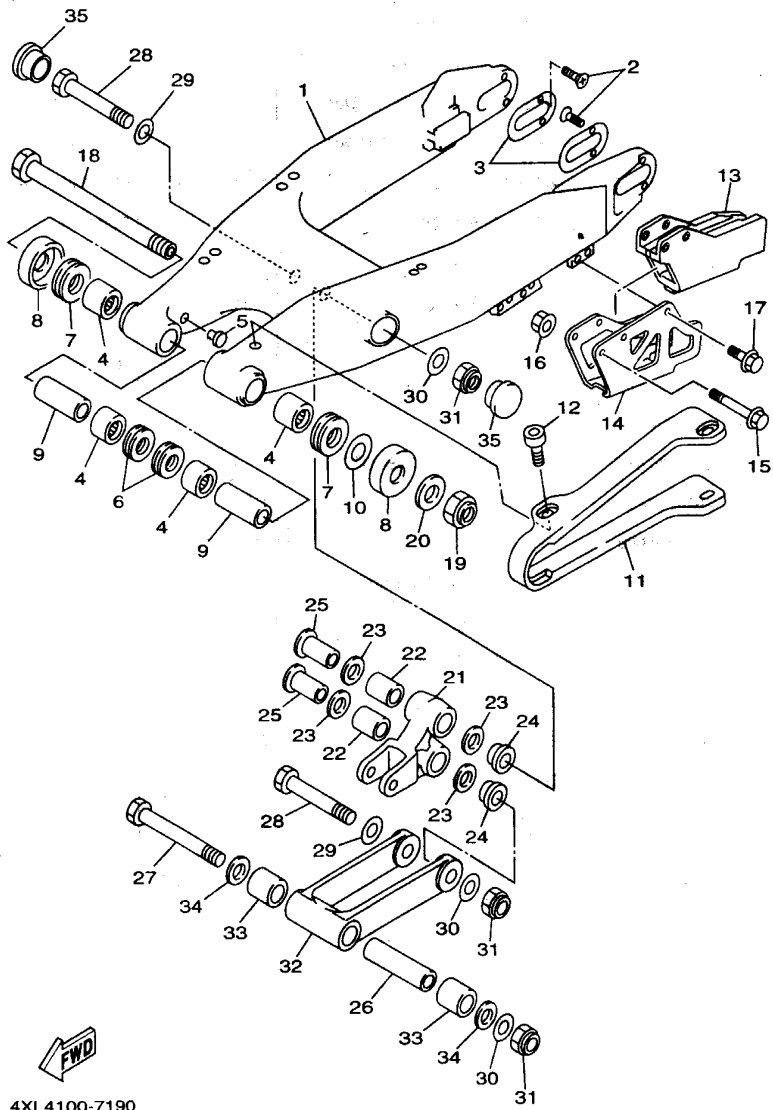
C8



4XL4100-7190

FIG. 19 REAR ARM

REF. NO.	PART NO.	DESCRIPTION	4XL1	4XL2	4XL3	4XL4	REMARKS
1	4XL-22110-00	REAR ARM COMP.	1	1	1	1	
2	90151-04048	SCREW, COUNTERSUNK	4	4	4	4	
3	4SS-22355-00	PATCH	2	2	2	2	
4	93317-22262	BEARING	4	4	4	4	
5	90338-16148	PLUG	2	2	2	2	
6	93106-22019	OIL SEAL (DC 22-28-8)	2	2	2	2	
7	93342-22215	BEARING	2	2	2	2	
8	4EW-22129-00	COVER, THRUST 2	2	2	2	2	
9	90380-16158	BUSH, SOLID	2	2	2	2	
10	156-22127-00	SHIM (0.3T)	1	1	1	1	UN
11	4EW-22151-01	SEAL, GUARD	1	1	1	1	
12	90110-05201	BOLT, HEXAGON SOCKET HEAD	4	4	4	4	
13	4XM-22199-00	SUPPORT, CHAIN	1	1	1	1	
14	4XM-22128-00	COVER, THRUST 1	1	1	1	1	
15	95027-06050	BOLT, FLANGE	2	2	2	2	
16	90179-06568	NUT	2	2	2	2	
17	95027-06010	BOLT, FLANGE	1	1	1	1	
18	1LX-22141-00	SHAFT, PIVOT	1	1	1	1	
19	90185-16127	NUT, SELF-LOCKING	1	1	1	1	
20	90201-164H4	WASHER, PLATE	1	1	1	1	
21	4SS-2217A-00	ARM, RELAY	1	1	1	1	
22	93315-32056	BEARING	2	2	2	2	
23	93109-20029	OIL SEAL	4	4	4	4	
24	90387-164N2	COLLAR	2	2	2	2	
25	90387-164N3	COLLAR	2	2	2	2	
26	90387-167Y9	COLLAR	1	1	1	1	
27	90109-147F2	BOLT	1	1	1	1	

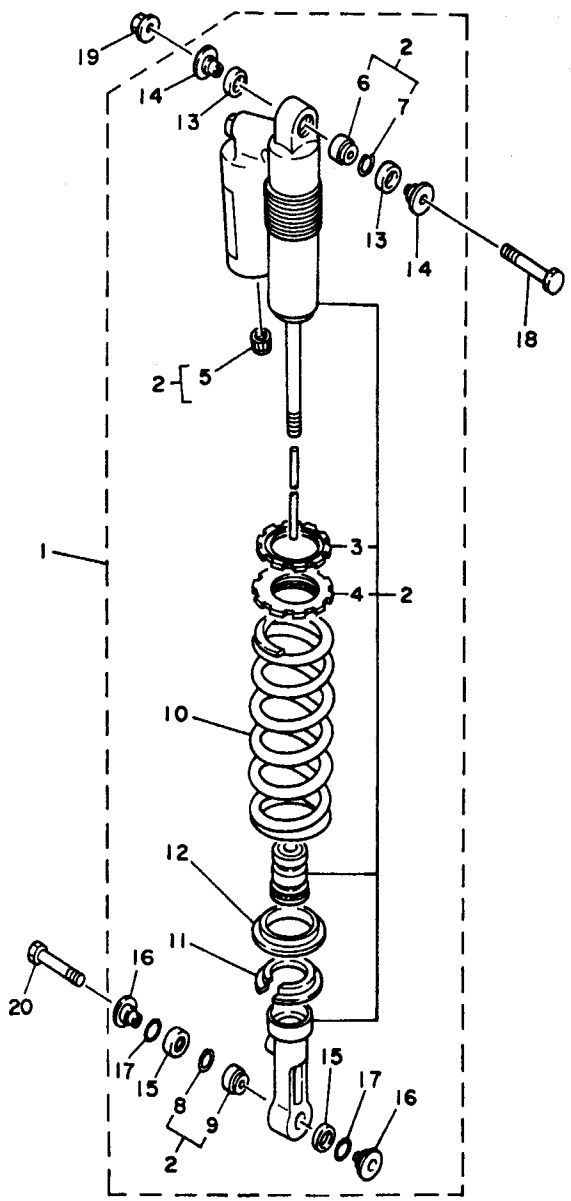


4XL4100-7190

FIG. 19 REAR ARM

REF. NO.	PART NO.	DESCRIPTION	4XL1	4XL2	4XL3	4XL4	REMARKS
28	90109-142F4	BOLT	2	2	2	2	
29	90201-164H4	WASHER, PLATE	2	2	2	2	
30	90201-14740	WASHER, PLATE	3	3	3	3	
31	90185-14112	NUT, SELF-LOCKING	3	3	3	3	
32	4SS-2217F-00	ROD, CONNECTING 1	1	1	1	1	
33	93315-32056	BEARING	2	2	2	2	
34	93109-20029	OIL SEAL	2	2	2	2	
35	1HX-2135F-10	COVER	2	2	2	2	

C10

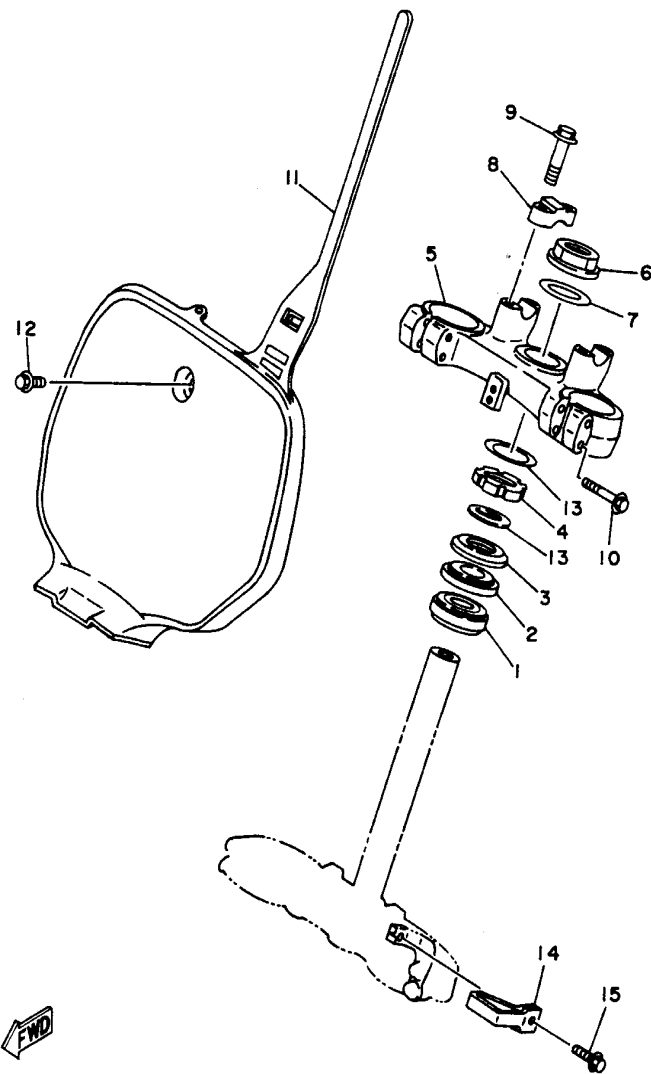


4JX1100-4200

FIG. 20 REAR SUSPENSION

REF. NO.	PART NO.	DESCRIPTION	4XL1	4XL2	4XL3	4XL4	REMARKS
1	4XL-22210-00	SHOCK ABSORBER ASSY, REAR	1	1		1	FOR ZAF
	4XL-22210-10	SHOCK ABSORBER ASSY, REAR			1		FOR USA
	4XL-22210-20	SHOCK ABSORBER ASSY, REAR				1	
	4XL-22210-30	SHOCK ABSORBER ASSY, REAR		1			FOR CAN
2	4XM-22201-00	.DAMPER SUB ASSY	1	1		1	FOR ZAF
	4XM-22201-10	.DAMPER SUB ASSY			1		FOR USA
	4XM-22201-20	.DAMPER SUB ASSY				1	
	4XM-22201-30	.DAMPER SUB ASSY			1		FOR CAN
3	3SP-22234-00	..GUIDE, SPRING 3	1	1	1	1	
4	3SP-22213-00	..SEAT, SPRING UPPER	1	1	1	1	
5	509-23184-L0	..CAP, AIR VALVE	1	1	1	1	
6	4MX-22216-00	..BUSH, REAR SHOCK ABSORBER	1	1	1	1	
7	43M-22274-00	..RING, STOP	1	1	1	1	
8	3Y6-23183-00	..CIRCLIP	1	1		1	
9	4JX-22226-00	..BUSH, SHOCK ABSORBER LOWER	1	1	1	1	
10	4XM-22212-00	..SPRING (K=5.2)	1	1	1	1	
11	3JD-22214-00	..GUIDE, SPRING 1	1	1	1	1	
12	3JD-22224-00	..GUIDE, SPRING 2	1	1	1	1	
13	3JD-22475-00	..SEAL, DUST	2	2	2	2	
14	3XJ-22253-00	..COLLAR, DISTANCE	2	2	2	2	
15	3JE-22475-00	..SEAL, DUST	2	2	2	2	
16	4EW-22253-00	..COLLAR, DISTANCE	2	2	2	2	
17	4EW-22474-00	..SEAL, RING	2	2	2	2	
18	3SP-22241-00	BOLT 1	1	1	1	1	
19	95617-10200	NUT, SELF-LOCKING	1	1	1	1	
20	90105-10614	BOLT, WASHER BASED	1	1	1	1	

C11



4JX1100-4210

FIG. 21 STEERING

REF. NO.	PART NO.	DESCRIPTION	4XL1	4XL2	4XL3	4XL4	REMARKS
1	93332-00081	BEARING	1	1	1	1	
2	93332-00068	BEARING	1	1	1	1	
3	4EW-23416-00	COVER, BALL RACE 2	1	1	1	1	
4	90179-28650	NUT	1	1	1	1	
5	4SS-23435-00	CROWN, HANDLE	1	1	1	1	
6	90170-24373	NUT	1	1	1	1	
7	90201-247L2	WASHER, PLATE	1	1	1	1	
8	3SP-23441-00	HOLDER, HANDLE UPPER	2	2	2	2	
9	95027-08035	BOLT, FLANGE	4	4	4	4	
10	95027-08040	BOLT, FLANGE	4	4	4	4	
11	4DA-23485-10	PLATE, NUMBER	1	1	1	1	
12	90119-06185	BOLT, WITH WASHER	1	1	1	1	
13	90201-286K9	WASHER, PLATE	2	2	2	2	
14	4DA-23389-00	GUIDE, CABLE	1	1	1	1	
15	90105-05361	BOLT, WASHER BASED	1	1		1	

C12

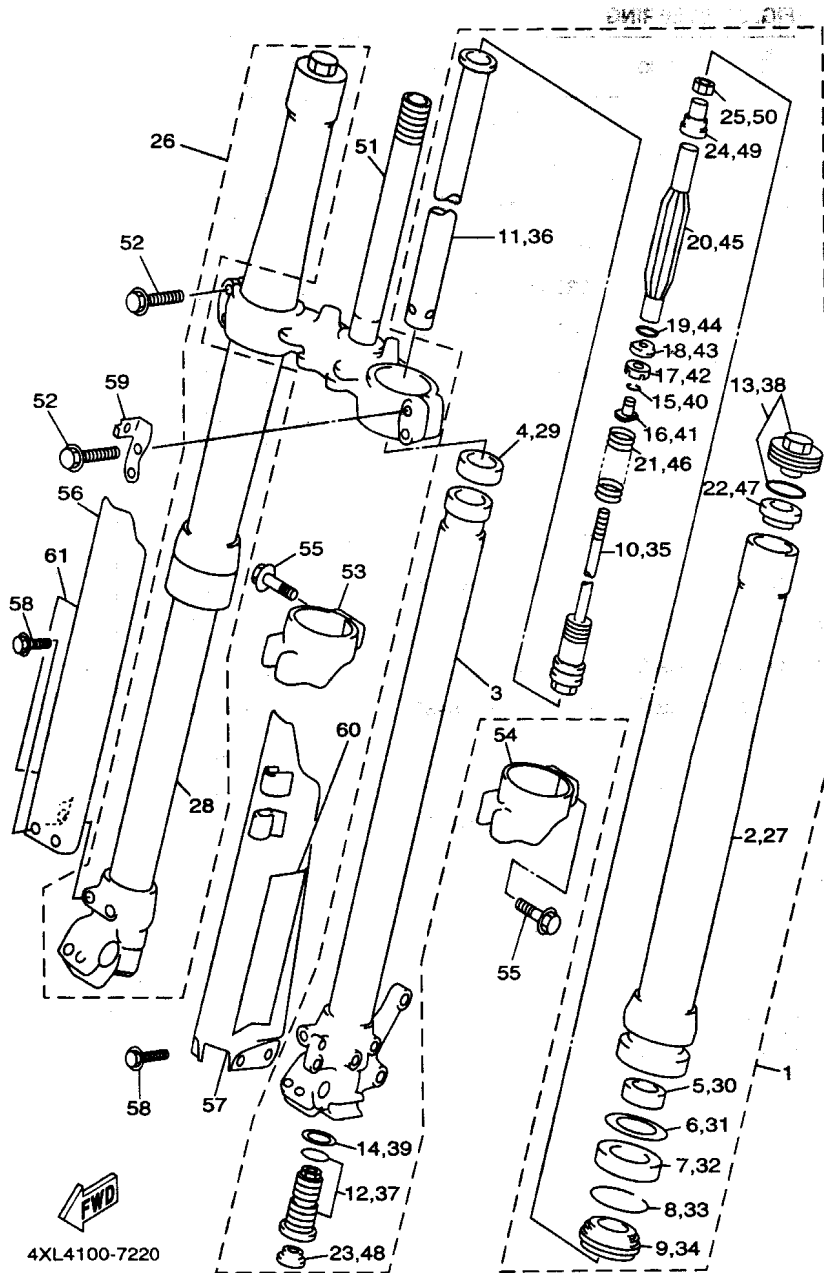
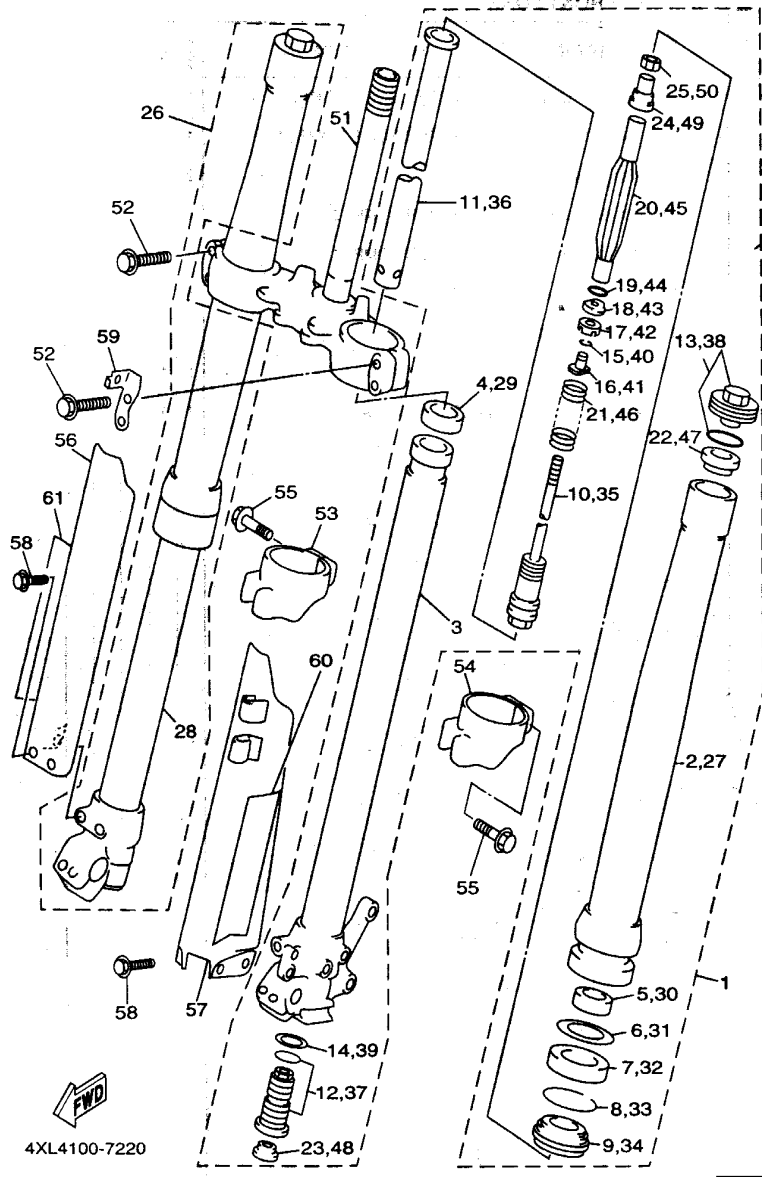


FIG. 22 FRONT FORK

REF. NO.	PART NO.	DESCRIPTION					REMARKS
			4XL1	4XL2	4XL3	4XL4	
1	4XL-23102-L0	FRONT FORK ASSY (L.H)	1	1		1	
	4XL-23102-M0	FRONT FORK ASSY (L.H)				1	
2	4XM-23136-L0	TUBE, OUTER (RIGHT)	1	1	1	1	
3	4SS-23120-L0	INNER TUBE COMP.2	1	1	1	1	
4	4SS-23171-L0	PISTON, FRONT FORK	1	1	1	1	
5	4SS-23125-L0	METAL, SLIDE 1	1	1	1	1	
6	4SS-23146-L0	WASHER, OIL SEAL	1	1	1	1	
7	4SS-23145-L0	OIL SEAL	1	1	1	1	
8	4SS-23153-L0	RING, SNAP	1	1	1	1	
9	4SS-23144-L0	SEAL, DUST	1	1	1	1	
10	4XM-2314A-L0	PISTON ROD ASSY	1	1	1	1	
11	4SS-23170-L0	CYLINDER COMP., FRONT FORK	1	1	1	1	
12	4XL-2316A-L0	VALVE COMP.	1	1	1	1	
13	4SS-23111-L0	BOLT, CAP	1	1	1	1	
14	4SS-23158-L0	GASKET	1	1	1	1	
15	3SP-23153-L0	RING, SNAP	2	2	2	2	
16	3SP-23113-L0	COLLAR	1	1	1	1	
17	3SP-23166-L0	SPACER, OIL LOCK	1	1	1	1	
18	3SP-23393-L0	NUT, SPECIAL	1	1	1	1	
19	3JD-23147-L0	O-RING	1	1	1	1	
20	4SS-23142-L0	SEAT, SPRING UPPER	1	1	1	1	
21	4XL-23141-L0	SPRING, FRONT FORK (K=0.43)	1	1	1	1	
22	4SS-23143-L0	SEAT, SPRING LOWER	1	1	1	1	
23	3JD-2312G-L0	PLUG	1	1	1	1	
24	4SS-23363-L0	COLLAR 1	1	1	1	1	
25	3SP-23357-L0	NUT	1	1	1	1	
26	4XL-23103-L0	FRONT FORK ASSY (R.H)	1	1		1	

C13



4XL4100-7220

FIG. 22 FRONT FORK

REF. NO.	PART NO.	DESCRIPTION	4XL1	4XL2	4XL3	4XL4	REMARKS
26	4XL-23103-M0	FRONT FORK ASSY (R.H)			1		
27	4XM-23136-L0	.TUBE, OUTER (RIGHT)	1	1	1	1	
28	4SS-23110-L0	.INNER TUBE COMP.1	1	1	1	1	
29	4SS-23171-L0	.PISTON, FRONT FORK	1	1	1	1	
30	4SS-23125-L0	.METAL, SLIDE 1	1	1	1	1	
31	4SS-23146-L0	.WASHER, OIL SEAL	1	1	1	1	
32	4SS-23145-L0	.OIL SEAL	1	1	1	1	
33	4SS-23153-L0	.RING, SNAP	1	1	1	1	
34	4SS-23144-L0	.SEAL, DUST	1	1	1	1	
35	4XM-2314A-L0	.PISTON ROD ASSY	1	1	1	1	
36	4SS-23170-L0	.CYLINDER COMP., FRONT FORK	1	1	1	1	
37	4XL-2316A-L0	.VALVE COMP.	1	1	1	1	
38	4SS-23111-L0	.BOLT, CAP	1	1	1	1	
39	4SS-23158-L0	.GASKET	1	1	1	1	
40	3SP-23153-L0	.RING, SNAP	2	2	2	2	
41	3SP-23113-L0	.COLLAR	1	1	1	1	
42	3SP-23166-L0	.SPACER, OIL LOCK	1	1	1	1	
43	3SP-23393-L0	.NUT, SPECIAL	1	1	1	1	
44	3JD-23147-L0	.O-RING	1	1	1	1	
45	4SS-23142-L0	.SEAT, SPRING UPPER	1	1	1	1	
46	4XL-23141-L0	.SPRING, FRONT FORK (K=0.43)	1	1	1	1	
47	4SS-23143-L0	.SEAT, SPRING LOWER	1	1	1	1	
48	3JD-2312G-L0	.PLUG	1	1	1	1	
49	4SS-23363-L0	.COLLAR 1	1	1	1	1	
50	3SP-23357-L0	.NUT	1	1	1	1	
51	4SR-23340-L0	UNDER BRACKET COMP.	1	1	1	1	
52	95021-08040	BOLT, FLANGE	8	8	8	8	

C14

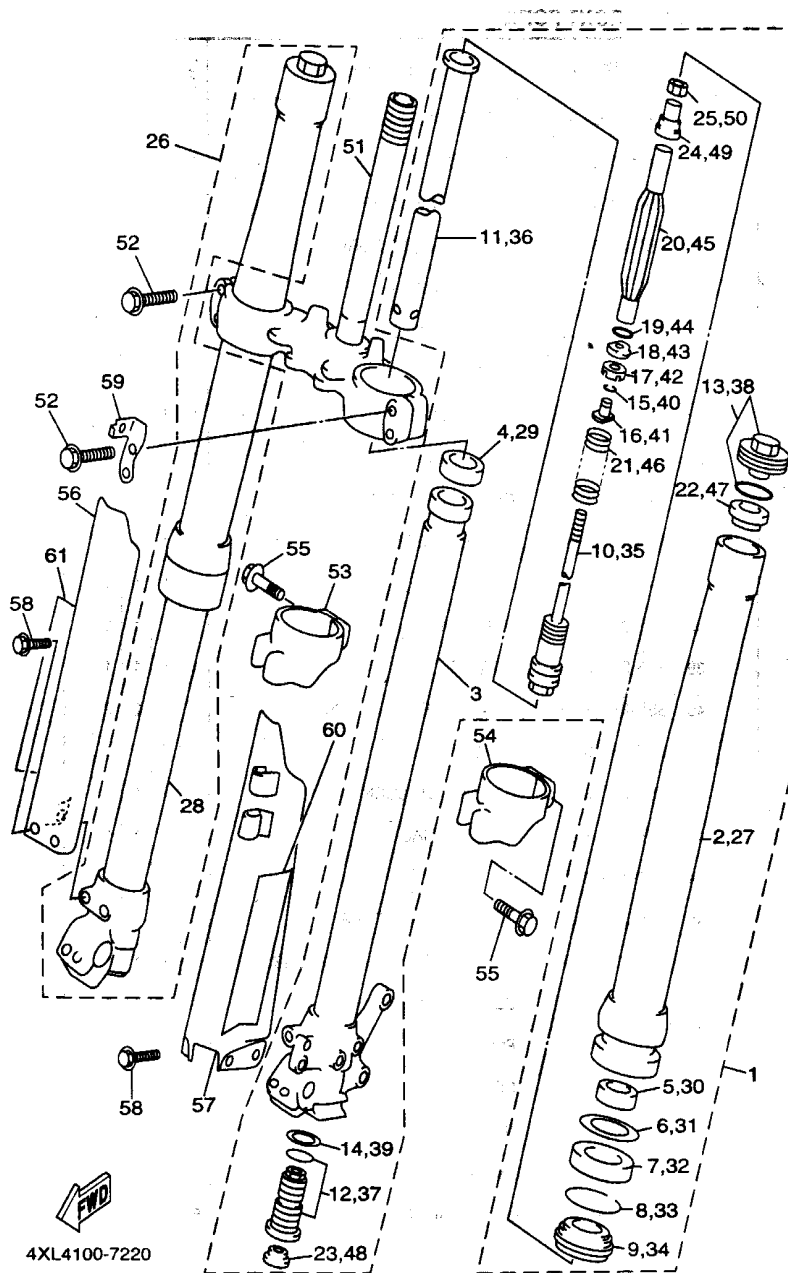
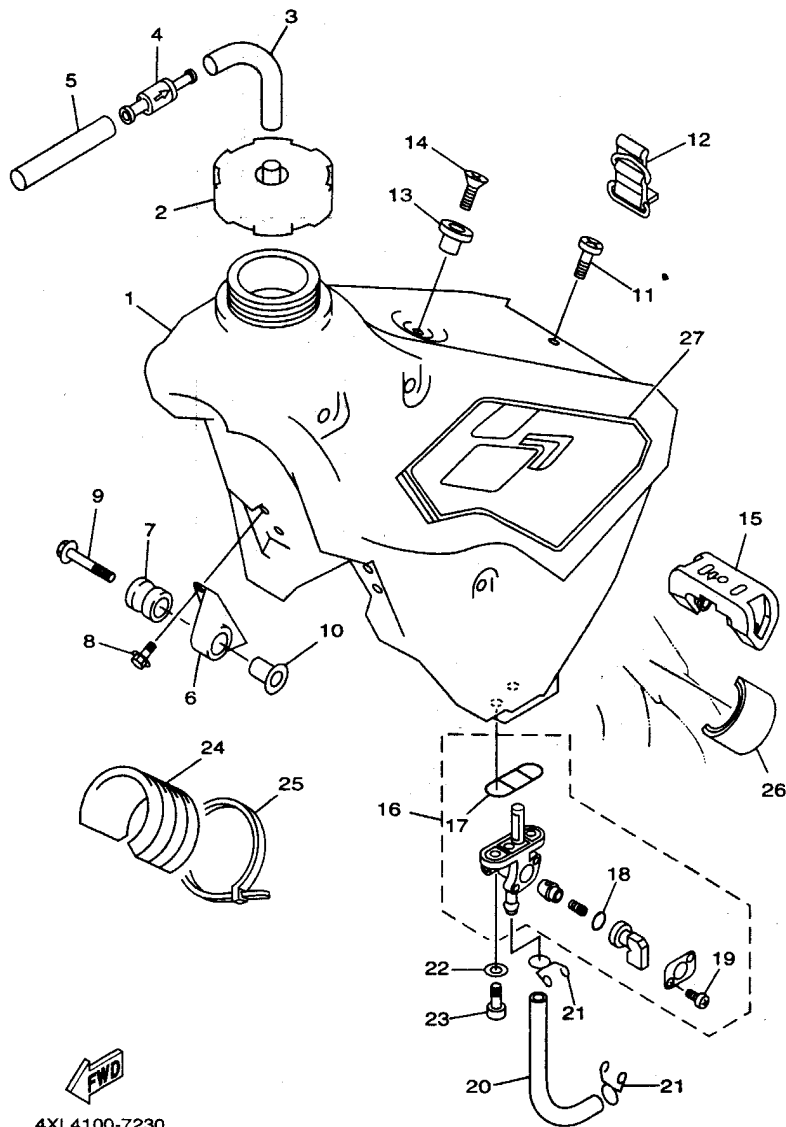


FIG. 22 FRONT FORK

REF. NO.	PART NO.	DESCRIPTION	4XL1	4XL2	4XL3	4XL4	REMARKS
53	4SS-2314G-L0	PROTECTOR GUIDE COMP., 2	1	1	1	1	
54	4SS-2314F-L0	PROTECTOR GUIDE COMP., 1	1	1	1	1	
55	4SS-23346-L0	BOLT 1	2	2	2	2	
56	4SS-2314J-00	PROTECTOR COMP., 2	1	1	1	1	
57	4SS-2314H-00	PROTECTOR COMP., 1	1	1	1	1	
58	3SP-23356-L0	BOLT 2	6	6	6	6	
59	4EW-2331E-L0	GUIDE, CABLE	1	1	1	1	
60	99243-00160	EMBLEM, YAMAHA	1	1	1	1	
61	99243-00160	EMBLEM, YAMAHA	1	1	1	1	

C15



4XL4100-7230

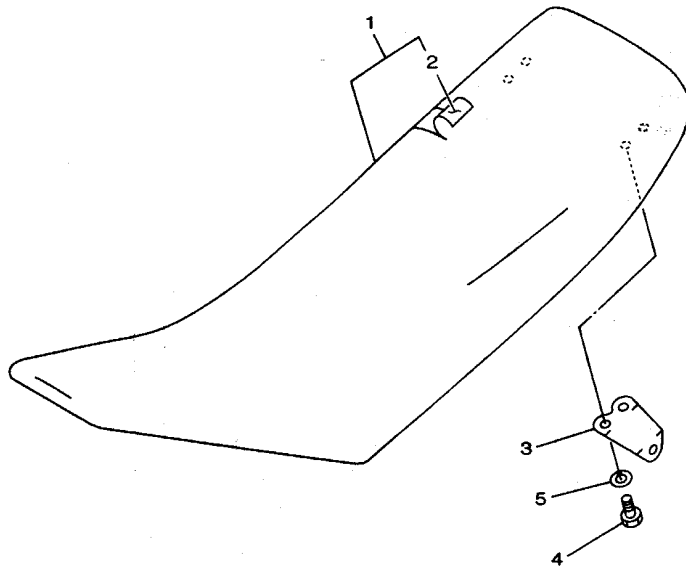
FIG. 23 FUEL TANK

REF. NO.	PART NO.	DESCRIPTION	4XL1	4XL2	4XL3	4XL4	REMARKS
1	4SS-24110-01	FUEL TANK COMP.	1	1	1	1	
2	1UY-24610-00	CAP ASSY	1	1	1	1	
3	90445-09220	HOSE	1	1	1	1	
4	3XJ-24380-00	PIPE JOINT ASSY	1	1	1	1	
5	90445-09104	HOSE	1	1	1	1	
6	24X-24144-00	HOLDER, DAMPER	2	2	2	2	
7	90480-18549	GROMMET	2	2	2	2	
8	95027-06016	BOLT, FLANGE	4	4	4	4	
9	90119-06214	BOLT, WITH WASHER	2	2	2	2	
10	3JD-24186-00	WASHER, SPECIAL	2	2	2	2	
11	98907-06020	SCREW, BIND	1	1	1	1	
12	3SP-24173-00	BAND, TANK FITTING 1	1	1	1	1	
13	4EW-2412F-00	BRACKET, SEAT	1	1	1	1	
14	98707-06025	SCREW, FLAT HEAD	1	1	1	1	
15	4SS-24181-00	DAMPER, LOCATING 1	1	1	1	1	
16	3JD-24500-01	FUEL COCK ASSY 1	1	1	1	1	
17	4X8-24512-00	O-RING	1	1	1	1	
18	3AJ-24534-00	SEAL, COCK	1	1	1	1	
19	97801-03008	SCREW, PAN HEAD	2	2	2	2	
20	90445-110G7	HOSE	1	1	1	1	
21	90467-10008	CLIP	2	2	2	2	
22	90202-05193	WASHER, PLATE	2	2	2	2	
23	90149-06011	SCREW	2	2	2	2	
24	4SS-24182-00	DAMPER, LOCATING 2	1	1	1	1	
25	90465-13275	CLAMP	1	1	1	1	
26	3V6-22358-00	SEAL 1	2	2	2	2	
27	4XL-24240-00	GRAPHIC SET	1	1	1	1	

D2

FIG. 24 SEAT

REF. NO.	PART NO.	DESCRIPTION	AXL1	AXL2	AXL3	AXL4	REMARKS
1	4SS-24770-00	SEMI-DOUBLE SEAT ASSY	1	1	1	1	
2	4SS-24731-00	.COVER, SEAT	1	1	1	1	
3	4SS-24728-00	.BRACKET, SEAT	2	2	2	2	
4	97007-06012	.BOLT	4	4	4	4	
5	92907-06100	.WASHER, SPRING	4	4	4	4	




4SS1100-6240

D3

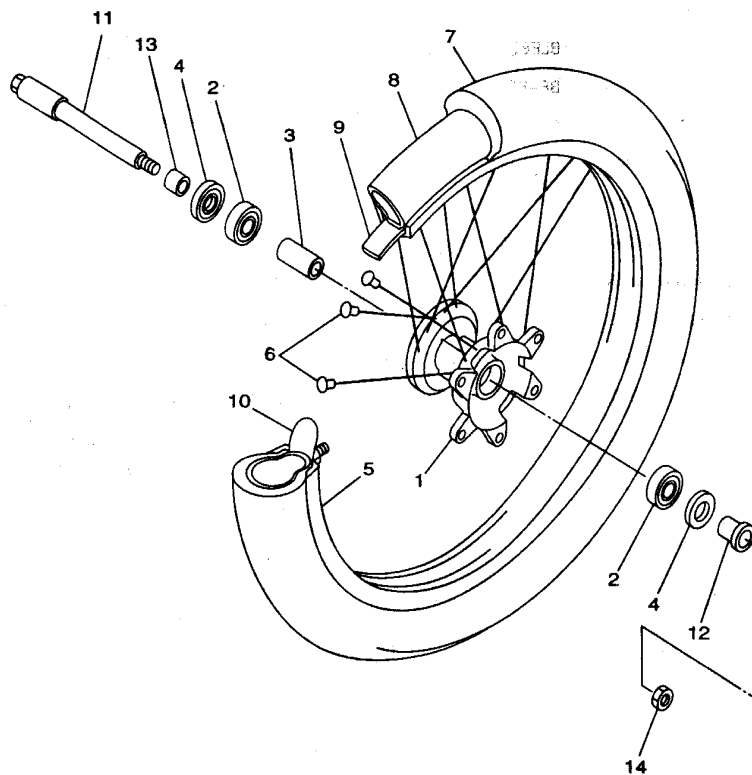


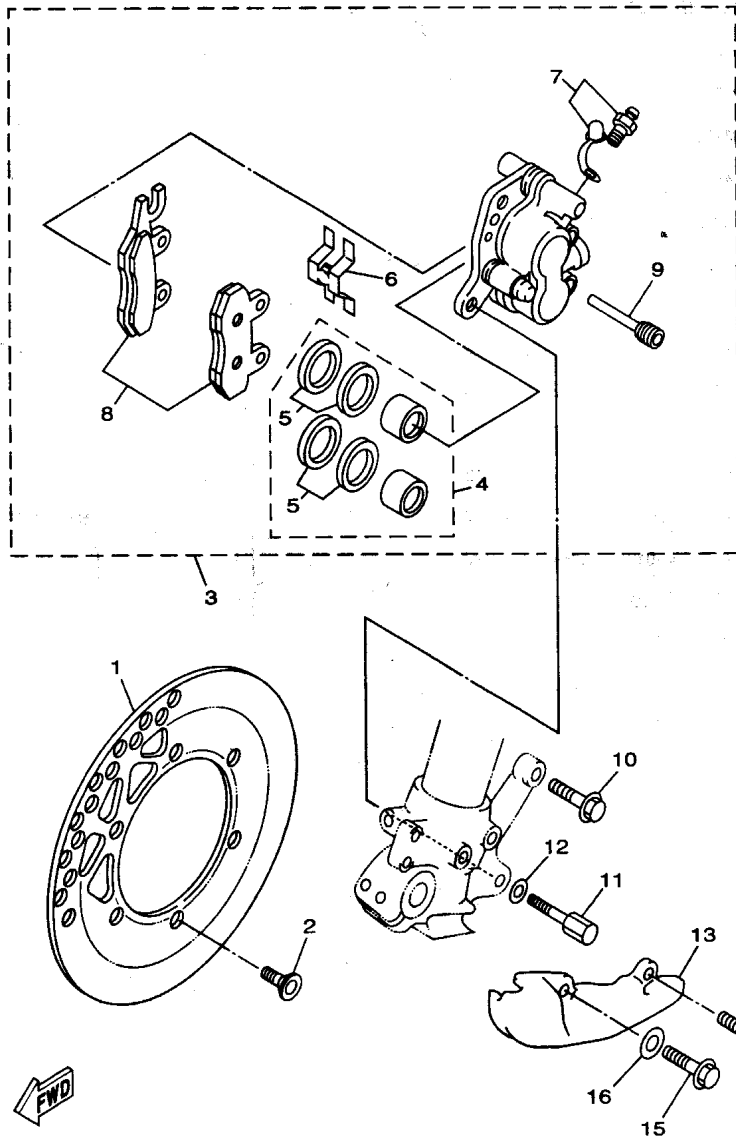
FIG. 25 FRONT WHEEL

REF. NO.	PART NO.	DESCRIPTION	4XL1	4XL2	4XL3	4XL4	REMARKS
1	4SS-25111-00	HUB, FRONT	1	1	1	1	
2	93306-90403	BEARING	2	2	2	2	
3	90387-2007U	COLLAR	1	1	1	1	
4	93102-25360	OIL SEAL	2	2	2	2	
5	94416-21509	RIM (1.60-21)	1	1	1	1	
6	4DA-25104-00	SPOKE SET, FRONT	1	1	1	1	
7	94108-2102V	TIRE (80/100-21 51M D752F)	1	1			FOR CAN DUNLOP
	94108-2110Y	TIRE (80/100-21 51M M77)			1		BRIDGESTONE
	94108-217X2	TIRE (80/100-21 K490)		1	1		FOR USA/ZAF DUNLOP
8	94227-21101	TUBE (80/100-21 TR4 BTL)	1	1	1	1	DUNLOP
	94209-21229	TUBE (80/100C-21 TR4)			1		BRIDGESTONE
9	94307-21145	BAND, RIM (70-80/100-21)	1	1	1	1	DUNLOP
	94330-21084	BAND, RIM (3.00-21)			1		BRIDGESTONE
10	2J5-25394-01	SPACER, BEAD	1	1	1	1	
11	4SS-25181-00	AXLE, WHEEL	1	1	1	1	
12	90387-2007T	COLLAR	1	1	1	1	
13	90387-2007S	COLLAR	1	1	1	1	
14	90179-16672	NUT	1	1	1	1	


4SS1100-6250

D4

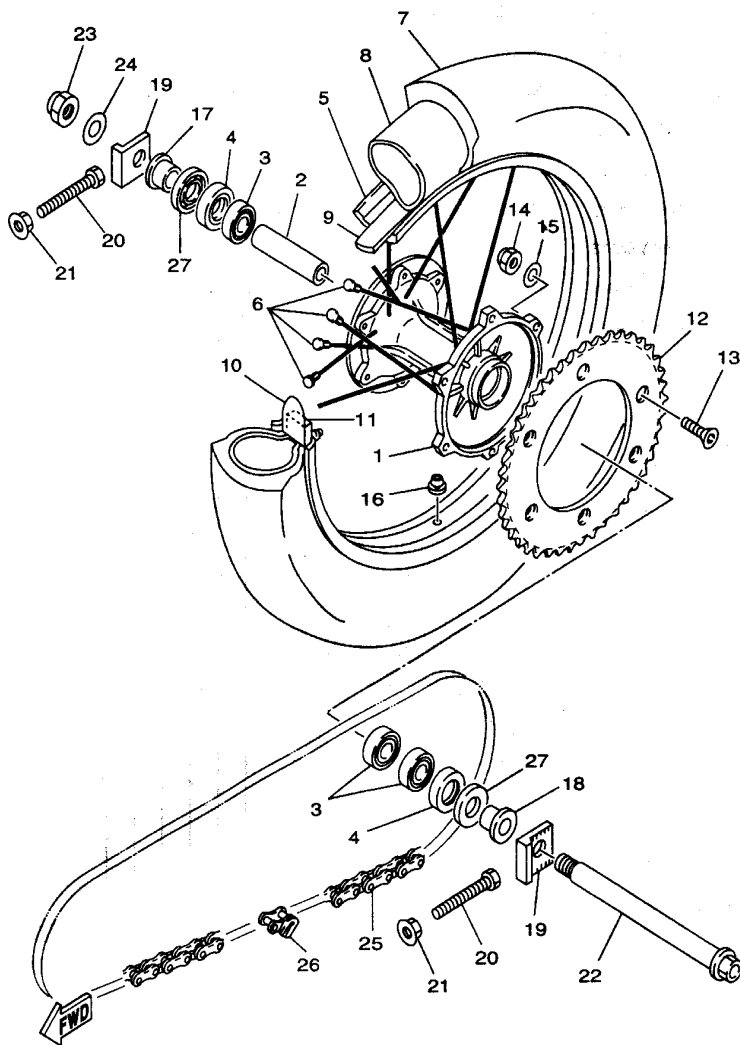
FIG. 26 FRONT BRAKE CALIPER



4SS1100-6260

REF. NO.	PART NO.	DESCRIPTION	4XL1	4XL2	4XL3	4XL4	REMARKS
1	4XM-2582T-00	DISC, BRAKE	1	1	1	1	
2	90149-06272	SCREW	6	6	6	6	
3	4SS-2580T-00	CALIPER ASSY (LEFT)	1	1	1	1	
4	4EW-W0057-00	.PISTON ASSY, CALIPER	1	1	1	1	
5	3JD-W0047-00	..CALIPER SEAL KIT	1	1	1	1	
6	3SP-25919-00	.SUPPORT, PAD	1	1	1	1	
7	1UY-W0048-50	.BLEED SCREW KIT	1	1	1	1	
8	4SS-W0045-00	.BRAKE PAD KIT	1	1	1	1	
9	3GD-25933-00	.PIN, PAD	2	2	2	2	
10	90105-08659	BOLT, WASHER BASED	1	1	1	1	
11	90109-080G6	BOLT	1	1	1	1	
12	90201-090J9	WASHER, PLATE	1	1	1	1	
13	4SS-2314E-00	COVER, HOSE	1	1	1	1	
14	95827-06012	BOLT, FLANGE	1	1	1	1	
15	95027-08020	BOLT, FLANGE	1	1	1	1	
16	92907-08200	WASHER	1	1	1	1	

D5



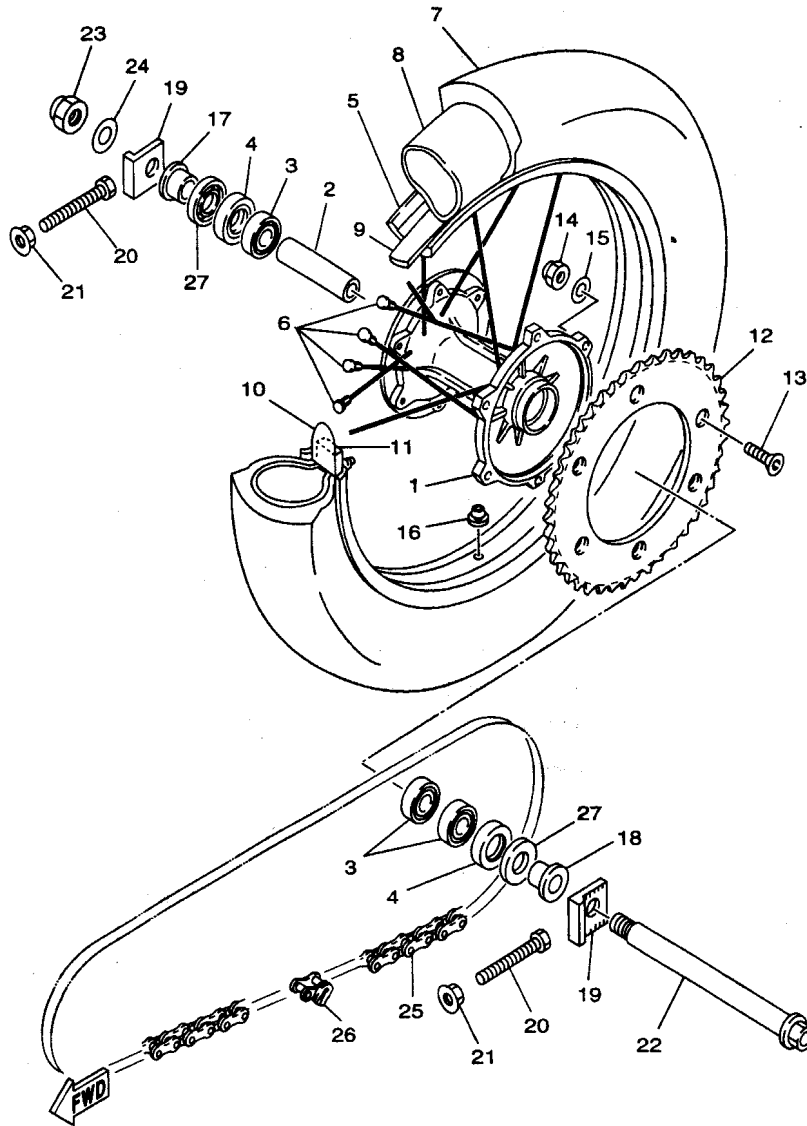
4XL4100-7270

FIG. 27 REAR WHEEL

REF. NO.	PART NO.	DESCRIPTION	4XL1	4XL2	4XL3	4XL4	REMARKS
1	4EW-25311-00	HUB, REAR	1	1	1	1	
2	4EW-25317-00	SPACER, BEARING	1	1	1	1	
3	93306-00418	BEARING	3	3	3	3	
4	93106-28023	OIL SEAL	2	2	2	2	
5	94421-19538	RIM (2.15-19)	1	1	1	1	
6	4XM-25304-00	SPOKE SET, REAR	1	1	1	1	
7	94111-1902W	TIRE (110/90-19 62M D752)	1	1	1	1	FOR CAN DUNLOP
	94111-1902Y	TIRE (110/90-19 62M K695)		1	1	1	FOR USA/ZAF DUNLOP
	94111-1911B	TIRE (110/90-19 62M M78A)			1	1	BRIDGESTONE
8	94211-19273	TUBE (110/90 110/100-19TR4)	1	1	1	1	DUNLOP
	94211-19274	TUBE (MCS 110/90-19 TR4)			1	1	BRIDGESTONE
9	94311-19155	BAND, RIM (110/90 110/100-19)	1	1	1	1	DUNLOP
	94321-19157	BAND, RIM (2.15-19)			1	1	BRIDGESTONE
10	3JE-25394-00	SPACER, BEAD	1	1	1	1	
11	4XM-25364-00	DAMPER	1	1	1	1	
12	4SS-25449-00	SPROCKET, DRIVEN (49T)	1	1	1	1	STD
	4SS-25450-00	SPROCKET, DRIVEN (50T)			1	1	STD
	4SS-25447-00	SPROCKET, DRIVEN (47T)	1	1	1	1	AP
	4SS-25448-00	SPROCKET, DRIVEN (48T)	1	1	1	1	AP
	4SS-25451-00	SPROCKET, DRIVEN (51T)	1	1	1	1	AP
	4SS-25452-00	SPROCKET, DRIVEN (52T)	1	1	1	1	AP
13	90109-081G1	BOLT	6	6	6	6	
14	95617-08200	NUT, SELF-LOCKING	6	6	6	6	
15	90201-08326	WASHER, PLATE	6	6	6	6	
16	90480-10068	GROMMET	1	1	1	1	
17	90387-2000B	COLLAR	1	1	1	1	
18	90387-2000C	COLLAR	1	1	1	1	

D6

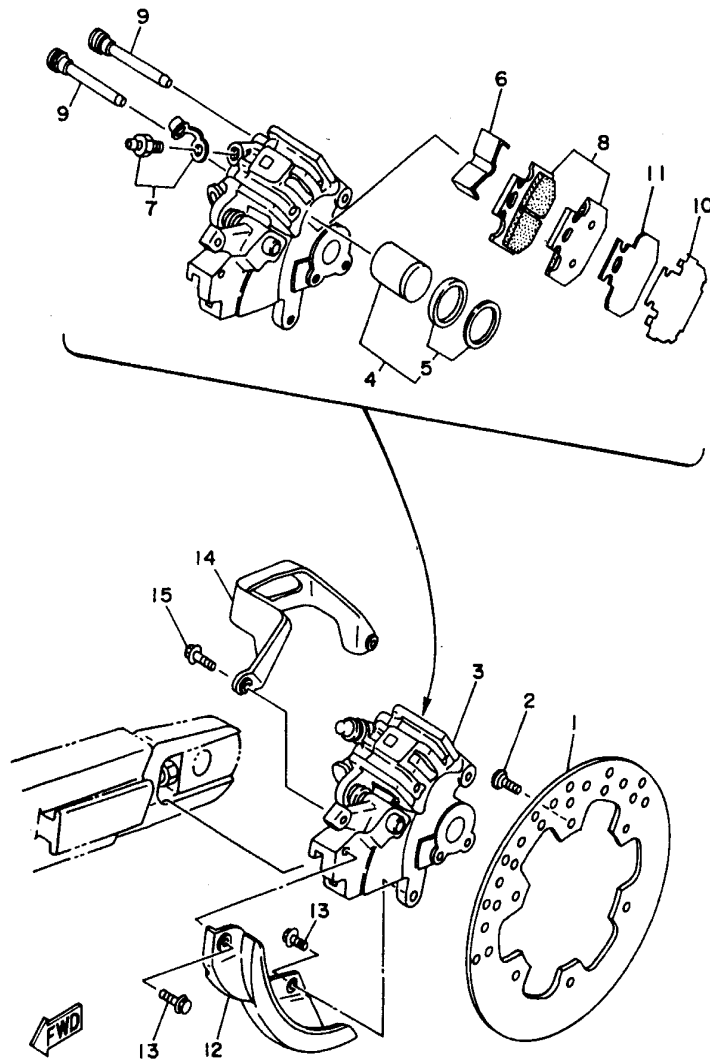
FIG. 27 REAR WHEEL



4XL4100-7270

REF. NO.	PART NO.	DESCRIPTION	4XL1	4XL2	4XL3	4XL4	REMARKS
19	3SP-25388-00	PULLER, CHAIN 1	2	2	2	2	
20	90101-08777	BOLT	2	2	2	2	
21	95707-08500	NUT, FLANGE	2	2	2	2	
22	3JD-25381-01	AXLE, WHEEL	1	1	1	1	
23	90185-18104	NUT, SELF-LOCKING	1	1	1	1	
24	92907-18600	WASHER	1	1	1	1	
25	94561-55113	CHAIN (REGINA 135RX3-113L)	1	1	1	1	
26	94661-55001	JOINT, CHAIN	1	1	1	1	
27	4V4-25367-00	COVER, HUB DUST	2	2	2	2	

D7

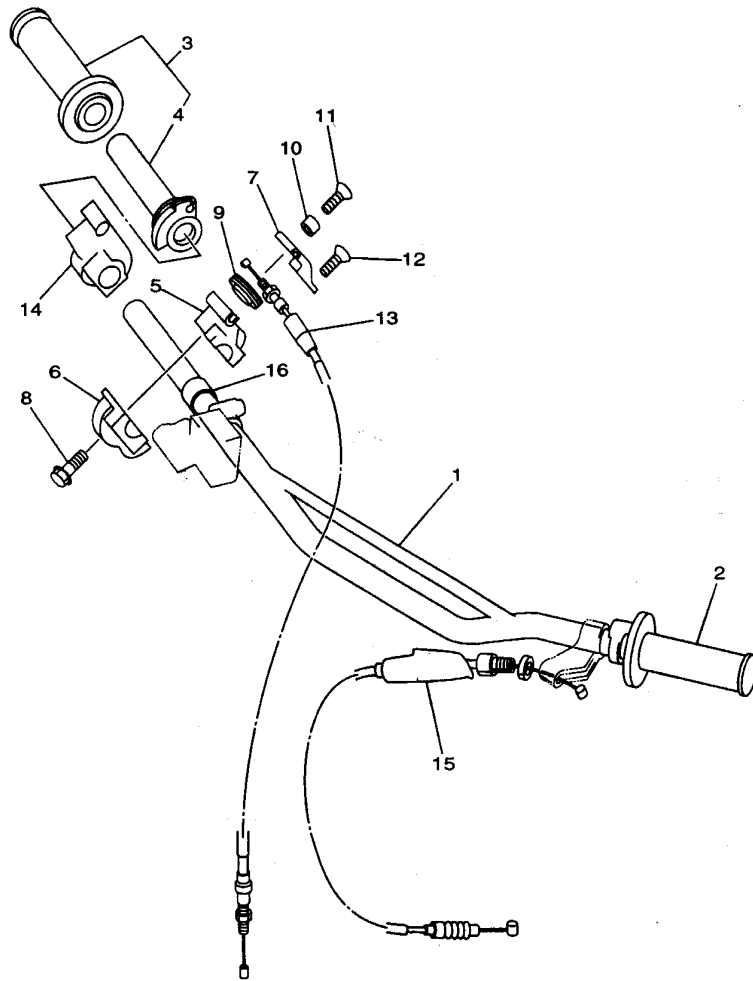


4XL4100-7280

FIG. 28 REAR BRAKE CALIPER

REF. NO.	PART NO.	DESCRIPTION	4XL1	4XL2	4XL3	4XL4	REMARKS
1	4MX-2582W-00	DISC, REAR BRAKE 2	1	1	1	1	
2	90149-06272	SCREW	6	6	6	6	
3	4XL-2580W-00	CALIPER ASSY, REAR 2	1	1	1	1	
4	3SP-W0057-50	.PISTON ASSY, CALIPER	1	1	1	1	
5	3JD-W0047-50	..CALIPER SEAL KIT	1	1	1	1	
6	4GY-25919-50	.SUPPORT, PAD	1	1	1	1	
7	1UY-W0048-50	.BLEED SCREW KIT	1	1	1	1	
8	4GY-W0046-00	.BRAKE PAD KIT 2	1	1	1	1	
9	3SP-25924-51	.PIN, PAD	2	2	2	2	
10	4XM-25827-50	.SHIM, CALIPER	1	1	1	1	
11	4GY-22898-50	.INSULATOR, HEAT	1	1	1	1	
12	4MX-25718-00	PROTECTOR, DISK BRAKE	1	1	1	1	
13	95027-06012	BOLT, FLANGE	2	2	2	2	
14	4GY-27491-00	PROTECTOR	1	1	1	1	
15	95027-06016	BOLT, FLANGE	2	2	2	2	

D8

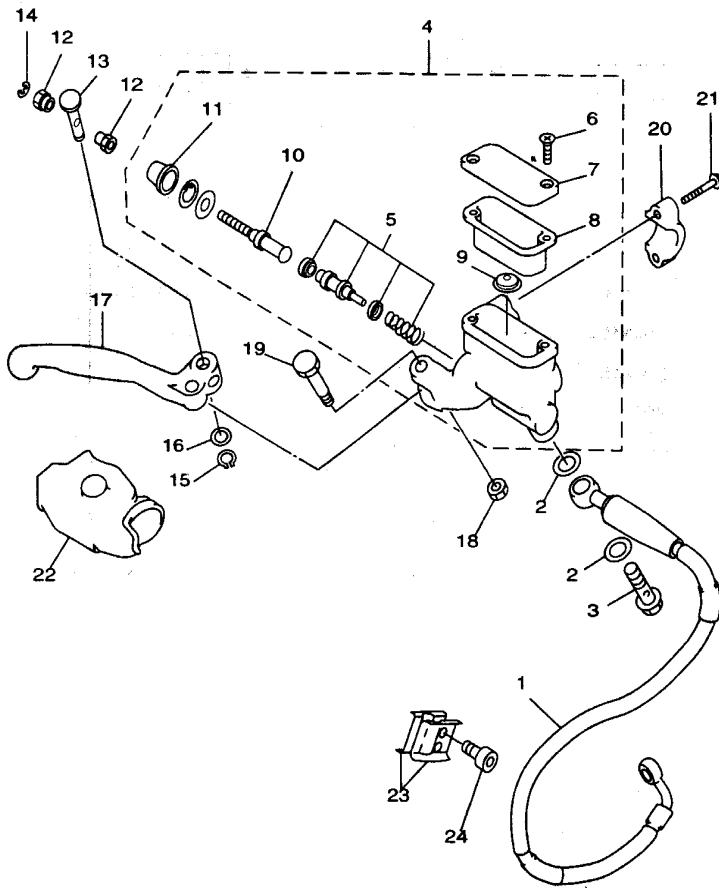


4XL4100-7290

FIG. 29 STEERING HANDLE. CABLE

REF. NO.	PART NO.	DESCRIPTION	4XL1	4XL2	4XL3	4XL4	REMARKS
1	4XM-26111-00	HANDLEBAR	1	1	1	1	
2	4GY-26241-00	GRIP (LEFT)	1	1	1	1	
3	4XM-26240-00	GRIP ASSY	1	1	1	1	
4	4XM-26243-00	.TUBE, THROTTLE GUIDE	1	1	1	1	
5	4SS-26281-00	CAP, GRIP UPPER	1	1	1	1	
6	4SS-26282-10	CAP, GRIP LOWER	1	1	1	1	
7	4SS-2628H-00	CAP, WIRE	1	1	1	1	
8	95027-06025	BOLT, FLANGE	2	2	2	2	
9	4SS-26273-00	ROTOR	1	1	1	1	
10	4SS-26259-00	COLLAR	1	1	1	1	
11	4SS-26256-00	SCREW, GRIP END	1	1	1	1	
12	4SS-2632G-00	SCREW	1	1	1	1	
13	4SS-26311-01	CABLE, THROTTLE 1	1	1	1	1	
14	4SS-26287-01	COVER, CAP GRIP	1	1	1	1	
15	4EW-26335-00	CABLE, CLUTCH	1	1	1	1	
16	90387-227H7	COLLAR	1	1	1	1	

D9



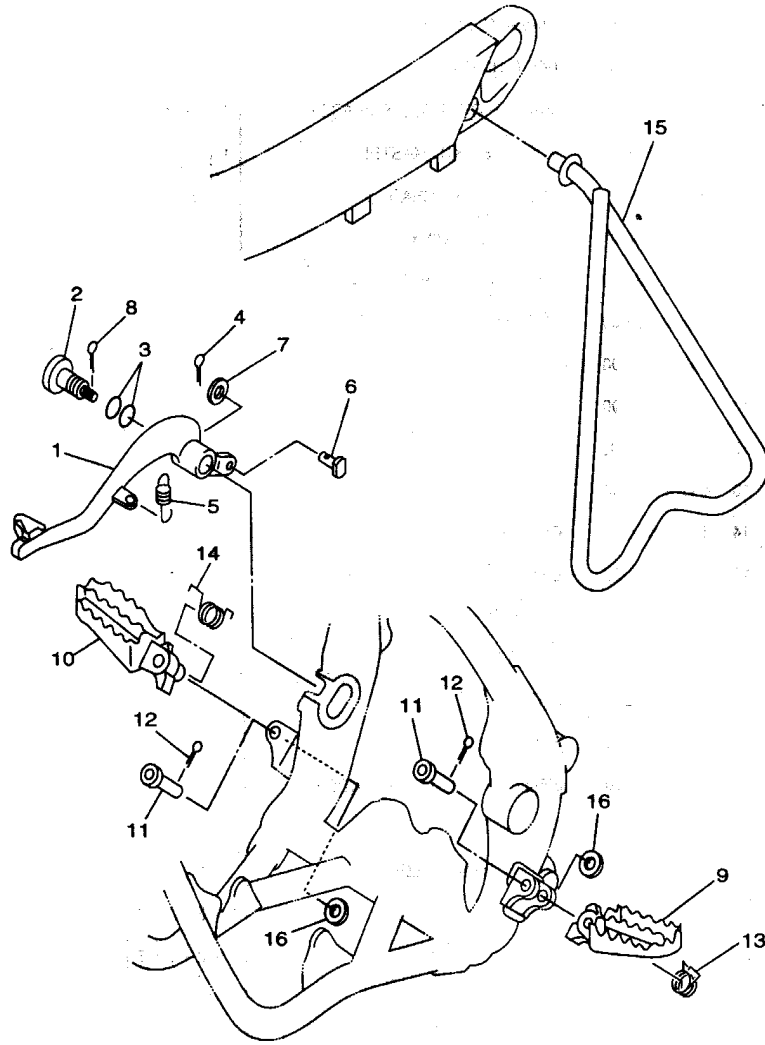
4SS1100-6300

FIG. 30 FRONT MASTER CYLINDER

REF. NO.	PART NO.	DESCRIPTION					REMARKS
			4XL1	4XL2	4XL3	4XL4	
1	4SS-25872-00	HOSE, BRAKE 1	1	1	1	1	
2	90201-10118	WASHER, PLATE	4	4	4	4	
3	90401-10159	BOLT, UNION	2	2	2	2	
4	4SS-W2587-00	MASTER CYLINDER SUB ASSY	1	1	1	1	
5	4SS-W0041-00	.CYLINDER KIT, MASTER	1	1	1	1	
6	98706-04012	.SCREW, FLAT HEAD	2	2	2	2	
7	4SS-25852-00	.CAP, RESERVOIR	1	1	1	1	
8	4SS-25854-00	.DIAPHRAGM, RESERVOIR	1	1	1	1	
9	4SS-25889-00	.SEPARATOR ASSY	1	1	1	1	
10	4SS-25880-00	.PUSH ROD COMP.	1	1	1	1	
11	4SS-25868-00	.BOOT, MASTER CYLINDER	1	1	1	1	
12	4SS-2538E-00	NUT, ADJUSTING	2	2	2	2	
13	4SS-83913-00	COLLAR, LEVER 1	1	1	1	1	
14	3YX-25866-10	CIRCLIP	1	1	1	1	
15	4SS-25866-00	CIRCLIP	1	1	1	1	
16	4SS-2583G-00	WASHER	1	1	1	1	
17	4SS-83922-00	LEVER 2	1	1	1	1	
18	95606-06100	NUT, U	1	1	1	1	
19	4SS-2589F-00	BOLT, LEVER	1	1	1	1	
20	3YK-25867-00	BRACKET, MASTER CYLINDER	1	1	1	1	
21	4SS-25833-00	BOLT, FITTING	2	2	2	2	
22	4SS-26372-00	COVER, HANDLE LEVER 1	1	1	1	1	
23	90465-16258	CLAMP	2	2	2	2	
24	91317-06014	BOLT	2	2	2	2	

D10

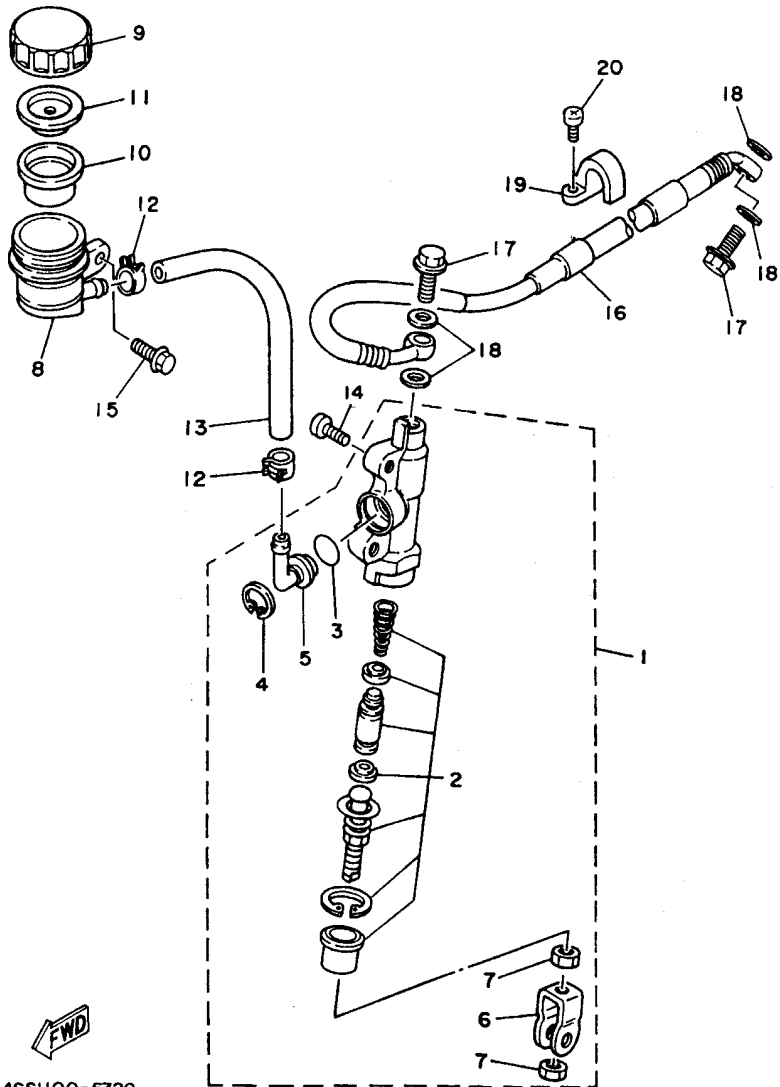
FIG. 31 STAND. FOOTREST



4XL4100-7310

REF. NO.	PART NO.	DESCRIPTION	4XL1	4XL2	4XL3	4XL4	REMARKS
1	4XM-27200-00	PEDAL, BRAKE	1	1	1	1	
2	4SS-27217-00	BOLT	1	1	1	1	
3	93210-11073	O-RING	2	2	2	2	
4	91401-20012	PIN, COTTER	1	1	1	1	
5	90506-16500	SPRING, TENSION	1	1	1	1	
6	90240-08120	PIN, CLEVIS	1	1	1	1	
7	90201-08089	WASHER, PLATE	1	1	1	1	
8	90468-16191	CLIP	1	1	1	1	
9	4XM-27411-00	FOOTREST 1	1	1	1	1	
10	4XM-27421-00	FOOTREST 2	1	1	1	1	
11	90240-10142	PIN, CLEVIS	2	2	2	2	
12	91401-25015	PIN, COTTER	2	2	2	2	
13	90508-261B0	SPRING, TORSION	1	1	1	1	
14	90508-260B9	SPRING, TORSION	1	1	1	1	
15	3SP-27311-00	STAND, SIDE	1	1	1	1	
16	90201-10119	WASHER, PLATE	2	2	2	2	

D11



FWD
4SS1100-6320

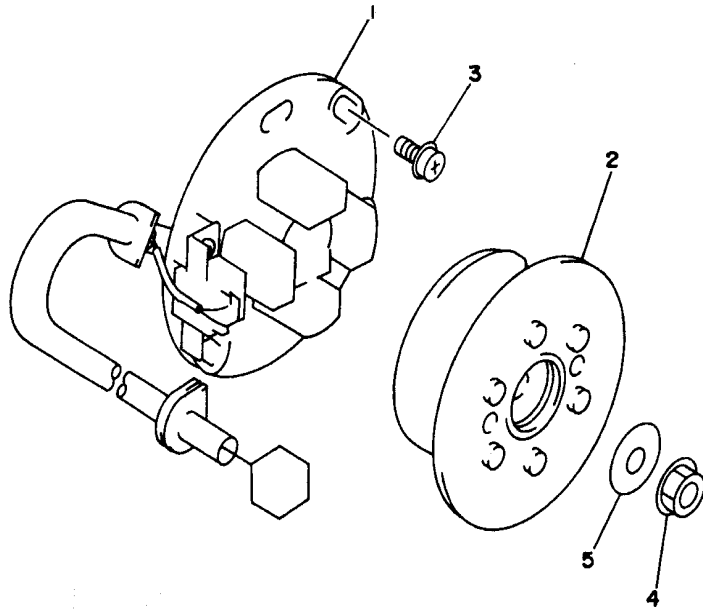
FIG. 32 REAR MASTER CYLINDER

REF. NO.	PART NO.	DESCRIPTION					REMARKS
			4XL1	4XL2	4XL3	4XL4	
1	3SP-2583V-00	RR. MASTER CYLINDER ASSY.	1	1	1	1	
2	4SS-W0042-50	.CYLINDER KIT, MASTER	1	1	1	1	
3	93210-15620	.O-RING	1	1	1	1	
4	2VN-25866-00	.CIRCLIP	1	1	1	1	
5	2VN-2582A-50	.JOINT	1	1	1	1	
6	3SP-27222-00	.JOINT	1	1	1	1	
7	4SS-27218-00	.NUT	2	2	2	2	
8	4EW-25894-00	TANK, RESERVOIR	1	1	1	1	
9	3XP-25852-50	CAP, RESERVOIR	1	1	1	1	
10	2VN-25854-00	DIAPHRAGM, RESERVOIR	1	1	1	1	
11	2VN-25855-00	BUSH, DIAPHRAGM	1	1	1	1	
12	90467-12053	CLIP	2	2	2	2	
13	90445-137H9	HOSE	1	1	1	1	
14	92014-06016	BOLT, BUTTON HEAD	2	2	2	2	
15	95027-06012	BOLT, FLANGE	1	1	1	1	
16	4XL-25873-00	HOSE, BRAKE 2	1	1	1	1	
17	90401-10159	BOLT, UNION	2	2	2	2	
18	90201-10118	WASHER, PLATE	4	4	4	4	
19	2VM-25876-00	HOLDER, BRAKE HOSE 2	2	2	2	2	
20	97780-50510	SCREW, TAPPING	4	4	4	4	

D12

FIG. 33 GENERATOR

REF. NO.	PART NO.	DESCRIPTION	4XL1	4XL2	4XL3	4XL4	REMARKS
1	4SR-85560-00	BASE ASSY	1	1	1	1	
2	4SR-85550-00	ROTOR ASSY	1	1	1	1	
3	90149-06011	SCREW	2	2	2	2	
4	90179-10394	NUT	1	1	1	1	
5	90201-10591	WASHER, PLATE	1	1	1	1	




 4SR1100-6330

D13

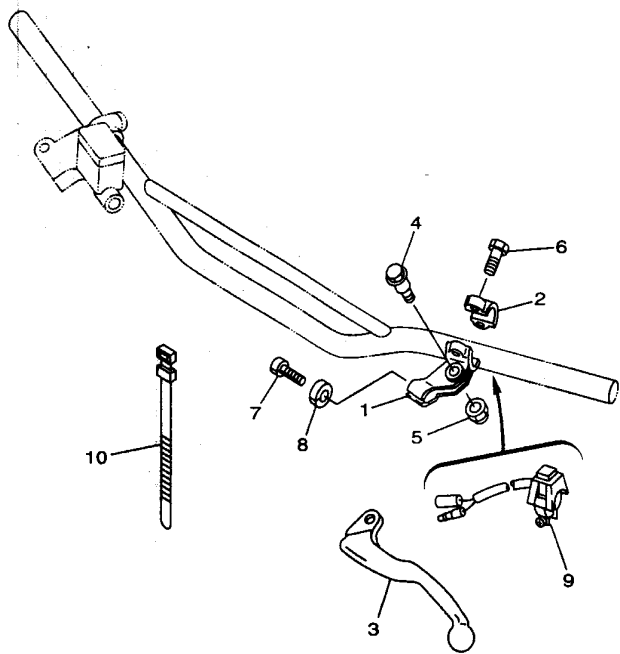


FIG. 34 HANDLE SWITCH. LEVER

REF. NO.	PART NO.	DESCRIPTION	4XL1	4XL2	4XL3	4XL4	REMARKS
1	38V-82911-00	HOLDER, LEVER 1	1	1	1	1	
2	38V-82913-00	HOLDER, LEVER LOWER 1	1	1	1	1	
3	4GY-83912-00	LEVER 1	1	1	1	1	
4	90109-06799	BOLT	1	1	1	1	
5	95607-06100	NUT, U	1	1	1	1	
6	97007-05016	BOLT	2	2	2	2	
7	90123-08090	BOLT	1	1	1	1	
8	90179-08401	NUT	1	1	1	1	
9	23X-83976-00	SWITCH, HANDLE 1	1	1	1	1	
10	437-83936-01	BAND, SWITCH CORD	2	2	2	2	



4SS1100-6340

D14

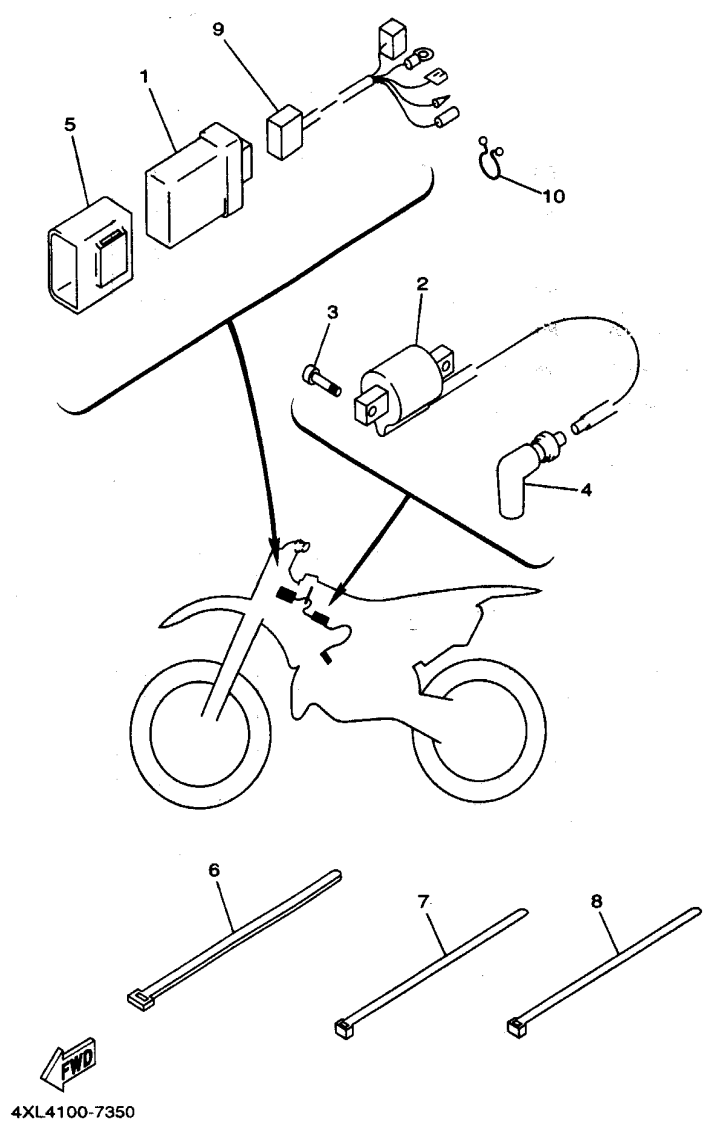


FIG. 35 ELECTRICAL 1

REF. NO.	PART NO.	DESCRIPTION	4XL1	4XL2	4XL3	4XL4	REMARKS
1	4XL-85540-00	C.D.I. UNIT ASSY	1	1	1	1	
2	4SR-82310-00	IGNITION COIL ASSY	1	1	1	1	
3	91317-06016	BOLT	2	2	2	2	
4	4PE-82370-00	PLUG CAP ASSY	1	1	1	1	
5	4SS-85546-01	BAND	1	1	1	1	
6	447-82591-00	BAND	1	1	1	1	
7	90465-13152	CLAMP	1	1	1	1	
8	90465-13275	CLAMP	1	1	1	1	
9	4SS-82509-00	WIRE, SUB LEAD	1	1	1	1	
10	90464-16039	CLAMP	1	1	1	1	

D15

3XJ1100-1360

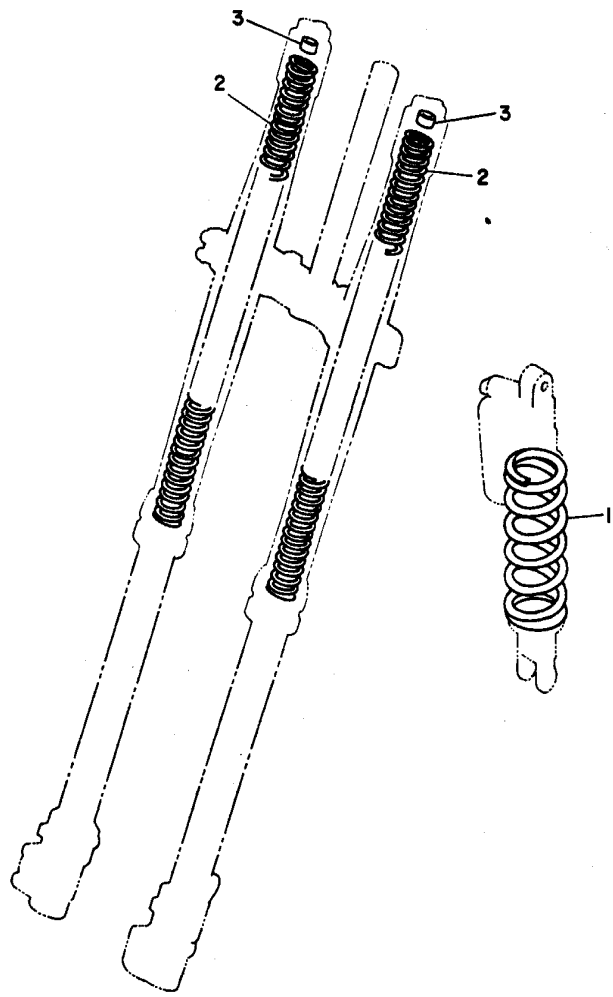


FIG. 36 ALTERNATE (CHASSIS)

REF. NO.	PART NO.	DESCRIPTION	4XL1	4XL2	4XL3	4XL4	REMARKS
1	4XM-22212-10	SPRING (K=4.6)	1	1	1	1	AP
	4XM-22212-20	SPRING (K=4.8)	1	1	1	1	AP
	4XM-22212-30	SPRING (K=5.0)	1	1	1	1	AP
	4XM-22212-40	SPRING (K=5.2)	1	1	1	1	AP
	4XM-22212-50	SPRING (K=5.4)	1	1	1	1	AP
	4XM-22212-60	SPRING (K=5.6)	1	1	1	1	AP
2	4SS-23141-10	SPRING, FRONT FORK (K=0.38)	2	2	2	2	AP
	4SS-23141-20	SPRING, FRONT FORK (K=0.39)	2	2	2	2	AP
	4SS-23141-30	SPRING, FRONT FORK (K=0.40)	2	2	2	2	AP
	4SS-23141-40	SPRING, FRONT FORK (K=0.41)	2	2	2	2	AP
	4SS-23141-50	SPRING, FRONT FORK (K=0.42)	2	2	2	2	AP
	4SS-23141-60	SPRING, FRONT FORK (K=0.43)	2	2	2	2	AP
	4SS-23141-70	SPRING, FRONT FORK (K=0.44)	2	2	2	2	AP
3	4SS-23364-L0	COLLAR 2	1	1	1	1	UN

E2

FIG. 37 OPTIONAL PARTS 1

REF. NO.	PART NO.	DESCRIPTION	4XL1	4XL2	4XL3	4XL4	REMARKS
1	4SR-11630-00	PISTON ASSY (STD)	1	1	1	1	
2	4SR-11631-00-B0	.PISTON (STD)	1	1	1	1	
3	4JX-11603-00	.PISTON RING SET (STD)	1	1	1	1	
4	2VM-11633-01	.PIN, PISTON	1	1	1	1	
5	93450-19052	.CIRCLIP	2	2	2	2	
6	4SR-11650-00	CONNECTING ROD ASSY	1	1	1	1	
7	5X5-11651-03	.ROD, CONNECTING	1	1	1	1	
8	4SR-11681-00	.PIN, CRANK 1	1	1	1	1	
9	90209-25085	.WASHER	2	2	2	2	
10	93310-425P2	.BEARING	1	1	1	1	
11	93310-418E9	.BEARING	1	1	1	1	

E3

INDEX 26
REF ID: A61111
10/11/11

INDEX

NUMERICAL INDEX

PART NO.	GRID NO.	PART NO.	GRID NO.	PART NO.	GRID NO.	PART NO.	GRID NO.	PART NO.	GRID NO.	PART NO.	GRID NO.
4SS-W0041-00	D- 3	3XK-11956-00	B- 13	4XL-14610-00	B- 9	2VM-15462-10	B- 11	3XK-18540-01	B- 15	3JD-22224-00	C- 7
4SS-W0042-50	D- 5	3SP-11990-00	B- 3	3JE-14615-01	B- 9	3SP-15463-11	B- 11	4XL-21101-00-2F	C- 3	4JX-22226-00	C- 7
4SS-W0045-00	C- 13	3SP-11992-11	B- 2	4SR-1469A-00	B- 9	4JW-15620-00	B- 12	4XM-21190-10-2F	C- 3	3SP-22234-00	C- 7
4GY-W0046-00	C- 15	3SP-11993-10	B- 2	4SR-14753-01	B- 9	3SP-15621-02	B- 12	1HX-2135F-10	C- 6	3SP-22241-00	C- 7
3JD-W0047-00	C- 13	2VM-11995-01	B- 2	565-14771-00	B- 9	3R4-15641-00	B- 12	4XL-21425-00	C- 3	3XJ-22253-00	C- 7
3JD-W0047-50	C- 15	4SR-1240A-00	B- 6	483-14781-02	B- 9	38V-15651-00	B- 12	4DA-21511-10	C- 4	4EW-22253-00	C- 7
1UY-W0048-50	C- 13	4SR-12422-00	B- 5	4XL-14916-AF	B- 8	4JW-15660-00	B- 12	4SS-21611-00	C- 4	43M-22274-00	C- 7
	C- 15	2VM-12428-11	B- 5	4XL-14916-AG	B- 8	2VM-15664-00	B- 12	4ES-21642-00	C- 4	4SS-22355-00	C- 6
3SP-W0057-50	C- 15	2VM-12450-00	B- 5	4XL-14916-AH	B- 8	2VM-16111-00	B- 12	4SS-21711-00	C- 5	3V6-22358-00	C- 10
4EW-W0057-00	C- 13	4SR-12459-00	B- 5	4XL-14916-DF	B- 8	4EW-16150-01	B- 13	4EW-2172A-10	C- 5	4EW-22474-00	C- 7
4SS-W2587-00	D- 3	4SR-12461-00	B- 6	4XL-14916-DG	B- 8	2K7-16154-00	B- 13		C- 5	3JD-22475-00	C- 7
3JE-Y113E-00	B- 2	22W-12462-00	B- 6	4XL-14916-DH	B- 8	3SP-16154-00	B- 13	4SS-21721-00	C- 5	3JE-22475-00	C- 7
5X4-Y113F-10	B- 2	4XL-12481-00	B- 6	4XL-14916-VF	B- 8	2VM-16181-00	B- 13	4XL-2173E-00	C- 5	4GY-22898-50	C- 15
3SP-Y1543-00	B- 11	4SS-12482-00	B- 6	4XL-14916-VG	B- 8	3XK-16321-00	B- 13	4XL-2173F-00	C- 5	4XL-23102-L0	C- 9
4XL-11111-00	B- 2	4XL-12484-00	B- 6	4XL-14916-VH	B- 8	4X7-16325-00	B- 13	4SS-21731-00	C- 5	4XL-23102-M0	C- 9
4XL-1131A-00	B- 2	353-13115-01	B- 10	4MX-14919-00	B- 8	4EW-16351-01	B- 13	4SS-21741-00	C- 5	4XL-23103-L0	C- 9
4MX-1131M-00	B- 2	4XL-13565-00	B- 7	4MX-14943-40	B- 8	4XL-16356-00	B- 13	3JD-21748-00	C- 4	4XL-23103-M0	C- 9
3JE-1131N-10	B- 2	4XL-13610-00	B- 7	4MX-14943-41	B- 8	4EW-16357-00	B- 13	4XK-21781-00	C- 5	4SS-23110-L0	C- 9
4XL-11311-00	B- 2	4XL-13613-00	B- 7	4MX-14943-42	B- 8	4EW-16371-01	B- 13		C- 5	4SS-23111-L0	C- 9
4XL-11351-00	B- 2	4XL-13616-00	B- 7	4MX-14943-43	B- 8	4EW-16381-01	B- 13	4XL-22110-00	C- 6		C- 9
4MX-11354-00	B- 2	4XL-13625-00	B- 7	4MX-14943-44	B- 8	4JX-17121-00	B- 14	156-22127-00	C- 6	3SP-23113-L0	C- 9
4SR-11400-00	B- 4	4XL-1410E-00	B- 8	4MX-14943-45	B- 8	4XL-17131-00	B- 14	4XM-22128-00	C- 6		C- 9
4SR-11410-00	B- 4	4XL-14101-00	B- 8	4MX-14943-91	B- 8	4XL-17141-00	B- 14	4EW-22129-00	C- 6	3JD-2312G-L0	C- 9
4SR-11420-00	B- 4	4XL-14101-10	B- 8	4MX-14943-92	B- 8	4MX-17151-00	B- 14	1LX-22141-00	C- 6		C- 9
4JX-11603-00	B- 4	4SR-14105-00	B- 8	4MX-14943-93	B- 8	4MX-17211-00	B- 14	4EW-22151-01	C- 6	4SS-23120-L0	C- 9
	D- 10	4MX-14115-00	B- 8	4MX-14943-94	B- 8	4XL-17221-00	B- 14	4SS-2217A-00	C- 6	4SS-23125-L0	C- 9
4SR-11630-00	D- 10	4SR-14126-00	B- 8	4MX-14943-95	B- 8	4XL-17231-00	B- 14	4SS-2217F-00	C- 6		C- 9
4SR-11631-00-A0	B- 4	4MX-14131-00	B- 8	4SR-14943-90	B- 8	4XL-17241-00	B- 14	3JD-22178-10	C- 3	4XM-23136-L0	C- 9
4SR-11631-00-B0	B- 4	3TJ-14137-40	B- 8	4MX-14948-04	B- 8	4XL-17251-00	B- 14	4EW-22178-00	C- 3		C- 9
	D- 10	4XL-14146-00	B- 8	4MX-14948-05	B- 8	4JX-17411-00	B- 14	4XM-22199-00	C- 6	4XM-2314A-L0	C- 9
4SR-11631-00-C0	B- 4	663-14159-00	B- 8	4MX-14948-06	B- 8	2VM-17421-01	B- 14	4XM-22201-00	C- 7		C- 9
4SR-11631-00-D0	B- 4	4SR-14171-00	B- 8	4MX-14948-07	B- 8	4L0-17471-00	B- 10	4XM-22201-10	C- 7	4SS-2314E-00	C- 13
2VM-11633-01	B- 4	4MX-14194-00	B- 8	4MX-14948-08	B- 8	3XK-18101-02	C- 2	4XM-22201-20	C- 7	4SS-2314F-L0	C- 9
	D- 10	4XL-14196-00	B- 8	4MX-14948-09	B- 8	4SS-18110-00	C- 2	4XM-22201-30	C- 7	4SS-2314G-L0	C- 9
4SR-11650-00	D- 10	4XL-14197-00	B- 8	4SR-14948-02	B- 8	3XK-18122-00	C- 2	4XL-22210-00	C- 7	4SS-2314H-00	C- 9
5X5-11651-03	B- 4	4SR-14261-00	B- 8	4SR-14948-03	B- 8	3XK-18140-00	B- 15	4XL-22210-10	C- 7	4SS-2314J-00	C- 9
	D- 10	4SR-14340-A6	B- 8	4MX-14984-00	B- 8	4DA-18172-00	C- 2	4XL-22210-20	C- 7	4SS-23141-10	D- 9
4SR-11681-00	B- 4	4MX-14392-00	B- 8	4SR-14985-00	B- 8	3XJ-18173-00	C- 2	4XL-22210-30	C- 7	4SS-23141-20	D- 9
	D- 10	4SS-14401-01	B- 7	4XL-15111-00	B- 10	3XK-18177-00	B- 15	4XM-22212-00	C- 7	4SS-23141-40	D- 9
5X5-11911-01	B- 3	4SS-14417-00	B- 7	4V4-15118-00	B- 10	3XJ-18178-00	C- 2	4XM-22212-10	D- 9	4SS-23141-60	D- 9
5X5-11912-01	B- 3	4XM-14451-00	B- 7	4XL-15121-00	B- 10	3XJ-18182-00	C- 2	4XM-22212-20	D- 9	4SS-23141-70	D- 9
1LX-11915-00	B- 2	4SR-14453-00	B- 7	168-15362-00	B- 11	3XJ-18184-00	C- 2	4XM-22212-30	D- 9	4XL-23141-L0	C- 9
5X4-11921-02	B- 3	3JD-14458-01	B- 7	3SP-15381-00	B- 10	4EW-18185-00	C- 2	4XM-22212-40	D- 9		C- 9
3JE-11922-01	B- 3	3JD-14459-01	B- 7	2VM-15411-00	B- 11	4SR-18511-00	B- 15	4XM-22212-50	D- 9	4XM-23141-10	D- 9
3JE-11931-01	B- 3	3JD-14462-00	B- 7	4EW-15415-00	B- 11	2VM-18512-00	B- 15	4XM-22212-60	D- 9	4XM-23141-20	D- 9
3JE-11937-01	B- 2	3JD-14477-00	B- 7	2VM-15421-02	B- 11	4SR-18513-00	B- 15	3SP-22213-00	C- 7	4SS-23142-L0	C- 9
5X4-11952-00	B- 3	676-14548-00	B- 8	4SR-15441-00	B- 11	4EX-18531-00	B- 15	3JD-22214-00	C- 7		C- 9
24X-11953-01	B- 3	4MX-14561-00	B- 8	2VM-15451-11	B- 11	3XV-18535-00	B- 15	4MX-22216-00	C- 7	4SS-23143-L0	C- 9

NUMERICAL INDEX

PART NO.	GRID NO.	PART NO.	GRID NO.	PART NO.	GRID NO.	PART NO.	GRID NO.	PART NO.	GRID NO.	PART NO.	GRID NO.
4SS-23143-L0	C- 9	4XL-24240-00	C- 10	4SS-25872-00	D- 3	4SR-85550-00	D- 6	90179-10394	D- 6	90209-17311	B- 14
4SS-23144-L0	C- 9	3XJ-24380-00	C- 10	4XL-25873-00	D- 5	4SR-85560-00	D- 6	90179-16672	C- 12	90209-18135	B- 14
	C- 9	3JD-24500-01	C- 10	2VM-25876-00	D- 5	90101-06664	C- 2	90179-18172	B- 13	90209-22082	B- 14
4SS-23145-L0	C- 9	4X8-24512-00	C- 10	4SS-25880-00	D- 3	90101-08777	C- 14	90179-20255	B- 14	90209-25085	B- 4
	C- 9	3AJ-24534-00	C- 10	4SS-25889-00	D- 3	90105-05361	C- 8	90179-28650	C- 8		D- 10
4SS-23146-L0	C- 9	1UY-24610-00	C- 10	4SS-2589F-00	D- 3	90105-06553	B- 7	90183-06023	B- 7	90215-20231	B- 13
	C- 9	4SS-24728-00	C- 11	4EW-25894-00	D- 5	90105-06556	B- 10		C- 4	90215-21239	B- 14
3JD-23147-L0	C- 9	4SS-24731-00	C- 11	3SP-25919-00	C- 13	90105-08099	C- 3	90183-06069	C- 5	90240-08120	D- 4
	C- 9	4SS-24770-00	C- 11	4GY-25919-50	C- 15	90105-08659	C- 13	90185-14112	C- 6	90240-10142	D- 4
3SP-23153-L0	C- 9	4DA-25104-00	C- 12	3SP-25924-51	C- 15	90105-10614	C- 7	90185-16127	C- 6	90267-32070	B- 7
	C- 9	4SS-25111-00	C- 12	3GD-25933-00	C- 13	90105-10733	C- 3	90185-18104	C- 14	90280-03045	B- 4
4SS-23153-L0	C- 9	4SS-25181-00	C- 12	4XM-26111-00	D- 2	90106-08051	C- 3	90201-03313	B- 7	90338-16148	C- 3
	C- 9	4XM-25304-00	C- 14	4XM-26240-00	D- 2	90109-06799	D- 7	90201-057H5	B- 3		C- 6
4SS-23158-L0	C- 9	4EW-25311-00	C- 14	4GY-26241-00	D- 2	90109-08066	C- 13	90201-06071	B- 6	90340-12059	B- 10
	C- 9	4EW-25317-00	C- 14	4XM-26243-00	D- 2	90109-081G1	C- 14		B- 9	90380-16158	C- 6
4XL-2316A-L0	C- 9	4XM-25364-00	C- 14	4SS-26256-00	D- 2	90109-142F4	C- 6		C- 4	90387-0600F	C- 4
	C- 9	4V4-25367-00	C- 14	4SS-26259-00	D- 2	90109-147F2	C- 6	90201-061A5	B- 7		C- 5
3SP-23166-L0	C- 9	4SS-2538E-00	D- 3	4SS-26273-00	D- 2	90110-05201	C- 6	90201-06557	C- 4		C- 5
	C- 9	3JD-25381-01	C- 14	4SS-2628H-00	D- 2	90116-08392	B- 2	90201-080E2	C- 3	90387-063G3	B- 9
4SS-23170-L0	C- 9	3SP-25388-00	C- 14	4SS-26281-00	D- 2	90116-08394	B- 2	90201-08087	B- 2	90387-0700G	B- 6
	C- 9	2J5-25394-01	C- 12	4SS-26282-10	D- 2	90116-10314	B- 2	90201-08089	D- 4	90387-0701A	C- 4
4SS-23171-L0	C- 9	3JE-25394-00	C- 14	4SS-26287-01	D- 2		B- 2	90201-08326	C- 14	90387-086N4	C- 3
	C- 9	4SS-25447-00	C- 14	4SS-26311-01	D- 2	90116-10547	B- 2	90201-086P8	C- 3	90387-102W0	B- 2
3Y6-23183-00	C- 7	4SS-25448-00	C- 14	4SS-26326-00	D- 2		B- 2	90201-087A9	B- 12	90387-152F2	B- 3
509-23184-L0	C- 7	4SS-25449-00	C- 14	4EW-26335-00	D- 2	90119-06096	C- 4	90201-08730	C- 3	90387-160H4	B- 10
4EW-2331E-L0	C- 9	4SS-25450-00	C- 14	4SS-26372-00	D- 3	90119-06185	B- 9	90201-08784	B- 5	90387-164N2	C- 6
4SR-23340-L0	C- 9	4SS-25451-00	C- 14	4XM-27200-00	D- 4		C- 8	90201-090J9	C- 13	90387-164N3	C- 6
4SS-23346-L0	C- 9	4SS-25452-00	C- 14	4SS-27217-00	D- 4	90119-06214	C- 10	90201-10118	D- 3	90387-167Y9	C- 6
3SP-23356-L0	C- 9	4MX-25718-00	C- 15	4SS-27218-00	D- 5	90122-06035	B- 7		D- 5	90387-2000B	C- 14
3SP-23357-L0	C- 9	4SS-2580T-00	C- 13	3SP-27222-00	D- 5	90123-08090	D- 7	90201-10119	D- 4	90387-2000C	C- 14
	C- 9	4XL-2580W-00	C- 15	3SP-27311-00	D- 4	90149-06011	C- 10	90201-105E8	C- 10	90387-2000S	C- 12
4SS-23363-L0	C- 9	2VN-2582A-50	D- 5	4XM-27411-00	D- 4		D- 6	90201-10591	D- 6	90387-2007T	C- 12
	C- 9	4XM-2582T-00	C- 13	4XM-27421-00	D- 4	90149-06272	C- 13	90201-12166	B- 15	90387-2007U	C- 12
4SS-23364-L0	D- 9	4MX-2582W-00	C- 15	4GY-27491-00	C- 15		C- 15	90201-125L6	B- 13	90387-227H7	D- 2
4DA-23389-00	C- 8	4XM-25827-50	C- 15	56A-28166-00	C- 3	90151-04048	C- 6	90201-14740	C- 6	90387-252F6	B- 13
3SP-23393-L0	C- 9	4SS-2583G-00	D- 3	4SR-82310-00	D- 8	90151-06037	B- 10	90201-151A7	B- 3	90387-25663	B- 14
	C- 9	3SP-2583V-00	D- 5	4PE-82370-00	D- 8	90157-06048	B- 12	90201-164H4	C- 6	90401-10159	D- 3
4EW-23416-00	C- 8	4SS-25833-00	D- 3	4SS-82509-00	D- 8	90157-06077	B- 10		C- 6		D- 5
4SS-23435-00	C- 8	3XP-25852-50	D- 5	447-82591-00	D- 8	90159-06016	B- 13	90201-17545	B- 12	90430-06014	B- 2
3SP-23441-00	C- 8	4SS-25852-00	D- 3	38V-82911-00	D- 7	90159-06078	C- 5	90201-20278	B- 14		B- 11
4DA-23485-10	C- 8	2VN-25854-00	D- 5	38V-82913-00	D- 7		C- 5	90201-20358	B- 12	90430-06166	B- 5
4SS-24110-01	C- 10	4SS-25854-00	D- 3	4GY-83912-00	D- 7	90159-06182	C- 5	90201-22555	B- 14	90430-12227	B- 10
4EW-2412F-00	C- 10	2VN-25855-00	D- 5	4SS-83913-00	D- 3		C- 5	90201-247L2	C- 8	90445-086A8	B- 10
24X-24144-00	C- 10	2VN-25866-00	D- 5	4SS-83922-00	D- 3	90170-20255	B- 13	90201-253K0	B- 14	90445-09104	C- 10
3SP-24173-00	C- 10	3YX-25866-10	D- 3	437-83936-01	D- 7	90170-24373	C- 8	90201-286K9	C- 8	90445-09220	C- 10
4SS-24181-00	C- 10	4SS-25866-00	D- 3	23X-83976-00	D- 7	90176-08026	B- 2	90202-05193	C- 10	90445-110G7	C- 10
4SS-24182-00	C- 10	3YK-25867-00	D- 3	4XL-85540-00	D- 8	90179-06568	C- 6	90208-18025	B- 13	90445-137H9	D- 5
3JD-24186-00	C- 10	4SS-25868-00	D- 3	4SS-85546-01	D- 8	90179-08401	D- 7	90209-06096	B- 7	90450-25037	B- 6

NUMERICAL INDEX

PART NO.	GRID NO.	PART NO.	GRID NO.	PART NO.	GRID NO.	PART NO.	GRID NO.	PART NO.	GRID NO.	PART NO.	GRID NO.
90450-28014	B- 6	92907-06100	C- 11	93332-00068	C- 8	95027-06012	B- 9	97007-05016	D- 7		
90450-51070	B- 7	92907-06600	B- 11	93332-00081	C- 8		B- 11	97007-05020	B- 2		
90450-70072	B- 7	92907-08200	C- 13	93340-21505	B- 3		C- 4	97007-05030	B- 3		
90464-15152	C- 3	92907-10200	C- 3		B- 13		C- 15	97007-06012	C- 11		
90464-16039	B- 7	92907-18600	C- 14	93342-22215	C- 6		D- 5	97017-05030	B- 2		
	D- 8	93101-12004	C- 2	93410-20038	B- 14	95027-06016	C- 10	97707-60016	C- 4		
90465-13152	D- 8	93102-12224	B- 13	93410-22039	B- 14		C- 15	97780-50510	D- 5		
90465-13275	C- 10	93102-20309	B- 12	93440-10085	B- 13	95027-06020	B- 7	97801-03008	C- 10		
	D- 8	93102-22363	B- 4	93440-29084	B- 14		C- 2	98502-04012	B- 8		
90465-16258	D- 3	93102-25360	C- 12	93450-19052	B- 4		C- 4	98502-04014	B- 8		
90467-09006	B- 6	93102-32337	B- 14		D- 10	95027-06025	B- 5	98507-03008	B- 7		
90467-10008	C- 10	93103-10147	B- 5	93501-04011	B- 12		B- 9	98507-05008	B- 2		
90467-12053	D- 5	93103-40091	B- 4	93521-64032	B- 3		B- 11	98507-05012	B- 2		
90467-21068	B- 6	93104-08040	B- 3	93603-14240	B- 3		D- 2	98507-06030	B- 11		
90468-16191	D- 4	93104-16074	B- 2	93603-22028	B- 5	95027-06030	B- 6	98706-04012	D- 3		
90468-26048	B- 12	93106-22019	C- 6	93604-08071	B- 2		B- 11	98707-06025	C- 10		
90480-10068	C- 14	93106-28023	C- 14	93604-10011	B- 5		C- 4	98907-06020	C- 10		
90480-15528	B- 6	93109-20029	C- 6		B- 11	95027-06050	C- 6	99001-06600	B- 5		
90480-16561	B- 9		C- 6	93604-29184	B- 3	95027-06065	B- 5	99009-17400	B- 12		
90480-18549	C- 10	93210-09192	B- 2	93608-33046	C- 2	95027-06070	B- 11	99243-00160	C- 9		
90501-05265	C- 2	93210-11073	D- 4	93612-16254	B- 10	95027-08012	B- 9		C- 9		
90501-13720	B- 12	93210-14104	B- 11	93834-13207	B- 14	95027-08020	B- 14	99530-10114	B- 2		
90501-210K9	B- 3	93210-15620	D- 5	93834-14049	B- 14		C- 13	99530-12016	B- 11		
90501-23598	B- 13	93210-19216	B- 12	93834-15075	B- 14	95027-08035	C- 8	99530-14016	B- 2		
90506-16500	D- 4	93210-270A8	B- 2	94108-2102Y	C- 12	95027-08040	C- 3				
90507-20052	B- 9	93210-472A9	B- 9	94108-2110Y	C- 12		C- 8				
90508-14783	B- 3	93210-77363	B- 2	94108-217X2	C- 12	95027-08065	C- 3				
90508-260B9	D- 4	93211-11770	B- 2	94111-1902W	C- 14	95606-06100	D- 3				
90508-261B0	D- 4	93300-60801	B- 3	94111-1902Y	C- 14	95607-05100	B- 7				
90508-26561	B- 15		B- 3	94111-1911B	C- 14	95607-06100	D- 7				
90508-291A8	C- 2	93300-60804	C- 3	94209-21229	C- 12	95607-08200	C- 3				
90508-30743	B- 12	93306-00418	C- 14	94211-19273	C- 14	95617-08200	C- 14				
90560-08213	B- 3	93306-20540	B- 14	94211-19274	C- 14	95617-10200	C- 3				
90560-12280	C- 2	93306-20574	B- 14	94227-21101	C- 12		C- 3				
91A20-05065	B- 6	93306-37802	B- 4	94307-21145	C- 12		C- 3				
91317-04006	B- 3		B- 4	94311-19155	C- 14		C- 7				
91317-06014	D- 3	93306-90403	C- 12	94321-19157	C- 14	95707-08500	C- 3				
91317-06016	D- 8	93310-23077	B- 13	94330-21084	C- 12		C- 14				
91317-06050	B- 10	93310-418E9	B- 4	94416-21509	C- 12	95707-10500	B- 2				
91317-06070	B- 10		D- 10	94421-19538	C- 14	95817-08050	C- 3				
91401-20012	D- 4	93310-425P2	B- 4	94561-55113	C- 14	95817-10050	C- 3				
91401-25015	D- 4		D- 10	94661-55001	C- 14	95817-10100	C- 3				
92014-06016	D- 5	93311-41734	B- 14	94702-00326	B- 2	95827-06012	C- 13				
92017-06010	B- 9	93311-62035	B- 14	94709-00326	B- 2	95827-06016	C- 5				
92907-03100	B- 7	93315-11206	B- 13	95021-08040	C- 9		C- 5				
92907-05600	B- 2	93315-32056	C- 6	95027-06008	B- 2		C- 5				
	B- 2		C- 6		B- 11		C- 5				
	B- 2	93317-22262	C- 6	95027-06010	C- 6	97007-05016	B- 2				

*COPYRIGHT: All rights reserved. No part of this publication
may be reproduced without permission.*

YAMAHA

YAMAHA MOTOR CO., LTD.
2500 SHINGA I IWATA SHIZUOKA JAPAN
SERVICE INFORMATION DIV.

PRINTED ON RECYCLED PAPER

Printed in Japan
First edition AUG., 1996