

PARTS CATALOGUE

YZ426FM (5JG1) U.S.A.

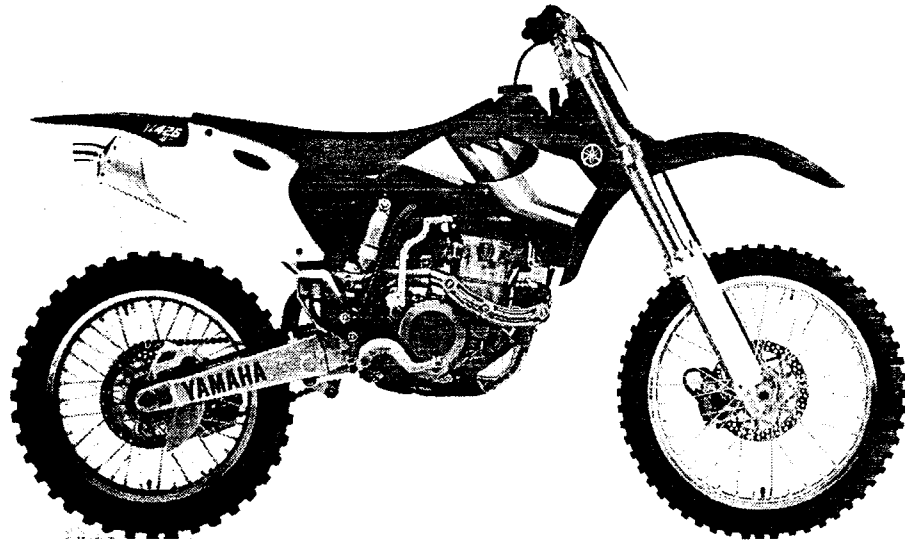
YZ426F (5JG2) EUROPE

YZ426F (5JG3) JAPAN

YZ426FM (5JG4) CANADA, OCEANIA, S.AFRICA

YAMAHA
GENUINE
Parts & Accessories

105JG-100E1



A3

FOREWORD

This Parts Catalogue is related to the parts for the model(s) in the below frame. When you are ordering replacement parts, please refer to this Parts Catalogue and quote both part numbers and part names correctly.

YZ426FM(5JG1/5JG4)YZ426F(5JG2/5JG3)

1. Modifications or additions which have been made after issue of the Parts Catalogue will be announced in the Yamaha Parts News. It is advisable that you make necessary corrections to the Parts Catalogue according to the Yamaha Parts News.

2. Abbreviations
The Following abbreviations are used in this Parts Catalogue.

"UR" Use specified parts number.
 "UN" Use as many as needed.
 "AP" Alternate Parts
 "LM" Local Made (Parts need to be ordered locally)
 "F#" Frame No. (Applicable machine No.)

3. Parts, which are to be supplied in an assembly, are listed with a dot(.) in front of the part name as shown below.

EXAMPLE

CARBURETOR ASSY
 .JET, PILOT
 .NOZZLE, MAIN

4. Number of component for assembly
The numeral appearing to the right of each component part indicates the quantity of parts for each assembly unit.

EXAMPLE

PART NO.	DESCRIPTION	Q'TY	REMARKS
2F5-83310-60	FRONT FLASHER LIGHT ASSY	2	
115-83311-60	.BULB (6V-18W)	1	
1M1-83309-60	.REFLECTOR	1	

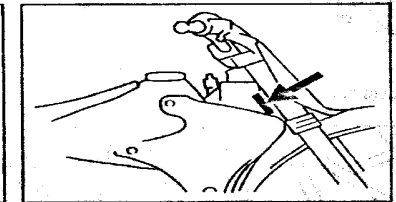
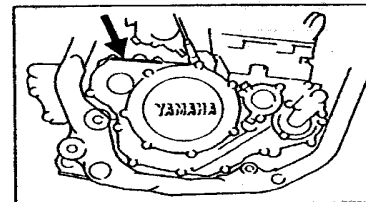
5. Applicable colors of graphics are represented in the "REMARKS" as shown below.

PART NO.	DESCRIPTION	Q'TY	REMARKS
2N4-24110-00-X5	.FUEL TANK COMP.	2	MXR
3J1-24240-10	.GRAPHIC, FUEL TANK	1	for MXR

6. Applicable Serial No.

Engine Serial No.

Frame Serial No.



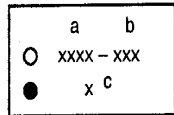
7. Note that the illustrations for reference in funding parts numbers, not to be used for assembling. When assembling, please use the applicable service manual.

8. The asterisk (*) before a reference number indicates modification items after the first edition.

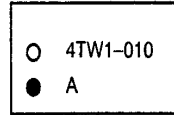
MODEL LABEL

(1) A label called "Model Label" is affixed in the location as indicated in (3) below. When using this parts catalogue, please be sure to cross-refer the "model code - production code No." in the catalogue to the "model code - production code No." indicated on the Model Label affixed onto the product concerned.

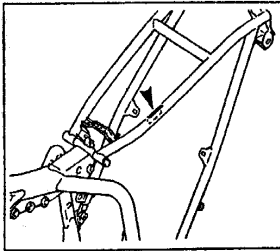
(2) "Model Label" Indication



a: Model Type Code
b: Production Code No.
c: Colouring Type



(3) Model Label Affixing Location



(4) Model Code - Production Code Number of Model Listed in This Parts Catalog

Model Code	Production Code No.	Country (destination)	Model Code	Production Code No.	Country (destination)	
5JG1	010	U.S.A	5JG4	030	NEWZEALAND	
				040	S.AFRICA	
5JG2	010	FRANCE				
	020	BELGIUM				
	030	GERMANY				
	040	SPAIN				
	050	FINLAND				
		IRELAND				
	060	ENGLAND				
	070	GREECE				
	080	ITALY				
	090	PORTUGAL				
100	SWEDEN					
5JG3	010	JAPAN				
5JG4	010	AUSTRALIA				
	020	CANADA				

(5) Colouring Information

Colouring type code	Colour code	Colour Name	Abbreviation
A	0583	DEEP PURPLISH BLUE SOLID E	DPBSE

CONTENTS

ENGINE

CYLINDER	B2
CRANKSHAFT. PISTON	B4
VALVE	B5
CAMSHAFT. CHAIN	B7
WATER PUMP	B8
RADIATOR. HOSE	B9
OIL PUMP	B10
OIL CLEANER	B12
INTAKE	B13
CARBURETOR	B14
EXHAUST	C4
CRANKCASE	C5
CRANKCASE COVER 1	C6
STARTER	C7
CLUTCH	C8
TRANSMISSION	C9
SHIFT CAM. FORK	C11
SHIFT SHAFT	C12

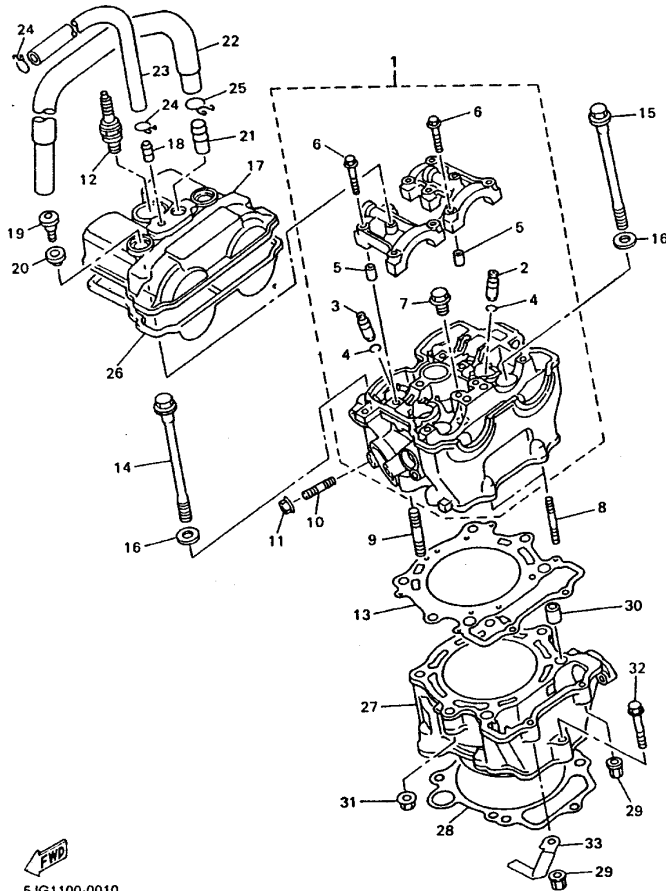
CHASSIS

FRAME	C13
FENDER	C15
SIDE COVER	D2
REAR ARM	D3
REAR SUSPENSION	D5
STEERING	D7
FRONT FORK	D8
FUEL TANK	D11
SEAT	D12
FRONT WHEEL	D13
FRONT BRAKE CALIPER	D14
REAR WHEEL	D15

REAR BRAKE CALIPER	E3
STEERING HANDLE. CABLE	E4
FRONT MASTER CYLINDER	E5
STAND. FOOTREST	E6
REAR MASTER CYLINDER	E7
GENERATOR	E8
HANDLE SWITCH. LEVER	E9
ELECTRICAL 1	E10
ALTERNATE (CHASSIS)	E11

INDEX

NUMERICAL INDEX	M1
-----------------------	----

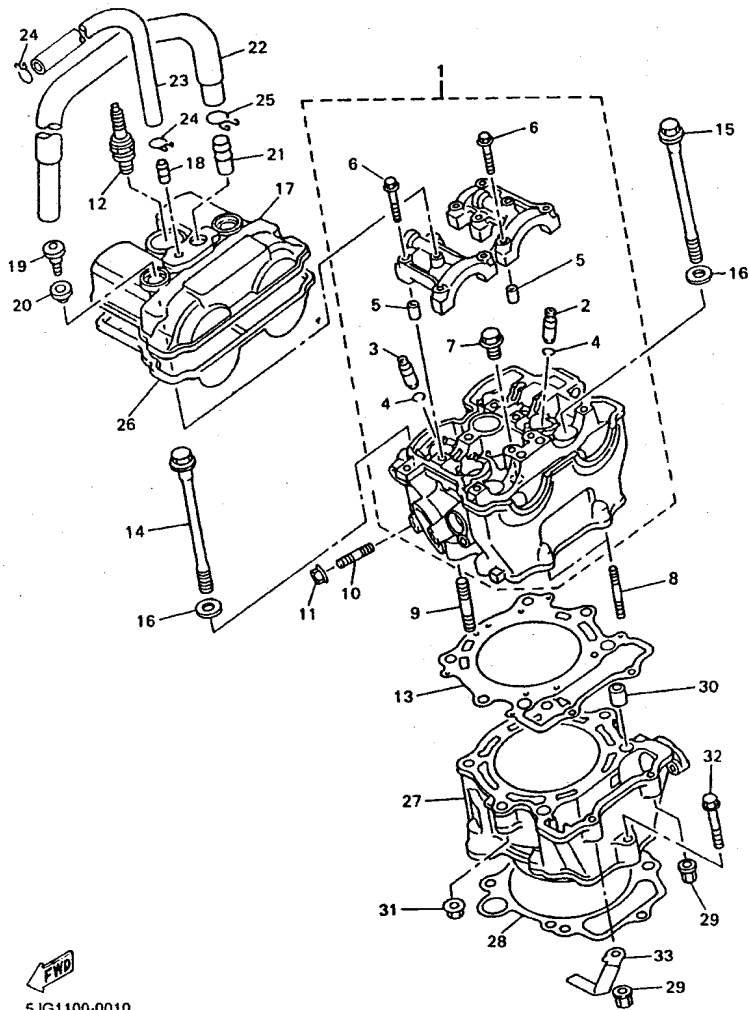


5JG1100-0010

FIG. 1 CYLINDER

REF. NO.	PART NO.	DESCRIPTION					REMARKS
			5JG1	5JG2	5JG3	5JG4	
1	5JG-11102-00	CYLINDER HEAD ASSY	1	1	1	1	
2	5BE-11133-10	.GUIDE, INTAKE VALVE	3	3	3	3	
3	5BE-11134-10	.GUIDE, EXHAUST VALVE	2	2	2	2	
4	93440-10153	.CIRCLIP	5	5	5	5	
5	91808-16023	.PIN, DOWEL	4	4	4	4	
6	90105-067A6	.BOLT, WASHER BASED	10	10	10	10	
7	90340-12112	.PLUG, STRAIGHT SCREW	1	1	1	1	
8	95617-06635	BOLT, STUD	2	2	2	2	
9	95617-08635	BOLT, STUD	2	2	2	2	
10	95617-08620	BOLT, STUD	1	1	1	1	
11	95707-08500	NUT, FLANGE	1	1	1	1	
12	94701-00330	PLUG, SPARK (NGK-R CR8E)	1	1	1	1	UR STD
	94703-00330	PLUG, SPARK (NGK-R CR8E)			1		UR STD
	94701-00329	PLUG, SPARK (U24ESR-N)	1	1	1		UR STD
	94703-00329	PLUG, SPARK (U24ESR-N)			1		UR STD
	94701-00318	PLUG, SPARK (NGK R CR9E)	1	1	1		UR AP
	94703-00318	PLUG, SPARK (NGK R CR9E)			1		UR AP
	94701-00319	PLUG, SPARK (ND U27ESR-N)	1	1	1		UR AP
	94703-00319	PLUG, SPARK (ND U27ESR-N)			1		UR AP
13	5JG-11181-00	GASKET, CYLINDER HEAD 1	1	1	1	1	
14	90105-104A7	BOLT, WASHER BASED	2	2	2	2	
15	90105-106A3	BOLT, WASHER BASED	2	2	2	2	
16	90201-101A4	WASHER, PLATE	4	4	4	4	
17	5BE-11191-00	COVER, CYLINDER HEAD 1	1	1	1	1	
18	5BE-11167-00	PIPE, BREATHER 2	1	1	1	1	
19	90109-066F0	BOLT	2	2	2	2	
20	4KG-1111G-00	RUBBER, MOUNT 1	2	2	2	2	

B2

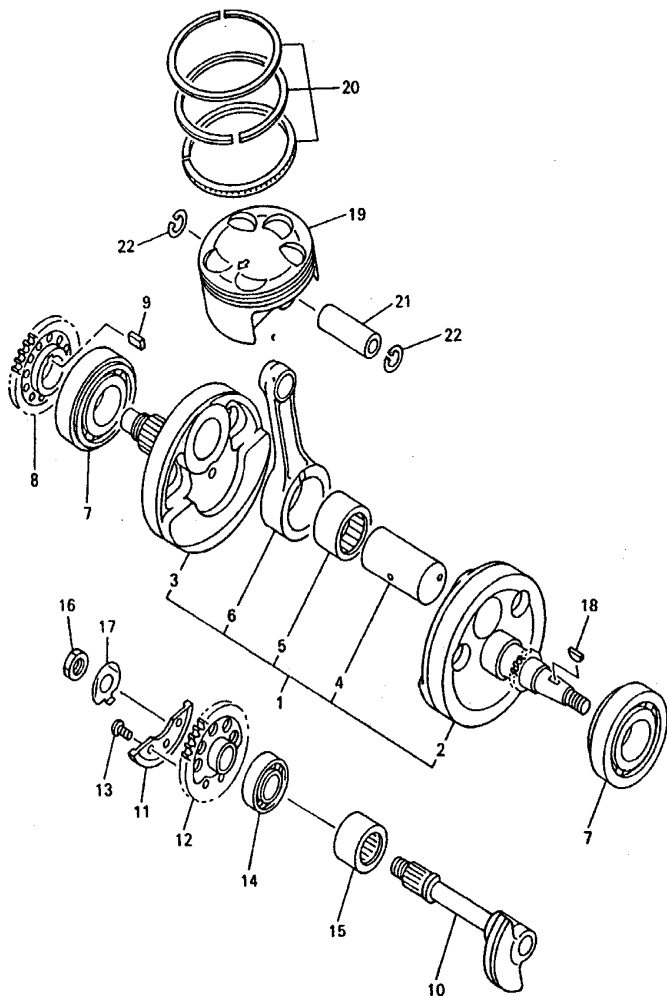


5JG1100-0010

FIG. 1 CYLINDER

REF. NO.	PART NO.	DESCRIPTION					REMARKS
			5JG1	5JG2	5JG3	5JG4	
21	371-11167-01	PIPE, BREATHER 2	1	1	1	1	
22	5BE-11166-00	PIPE, BREATHER 1	1	1	1	1	
23	90445-112K0	HOSE	1	1	1	1	
24	90467-11106	CLIP	2	2	2	2	
25	90467-14015	CLIP	1	1	1	1	
26	5BE-11193-10	GASKET, HEAD COVER 1	1	1	1	1	
27	5JG-11311-00	CYLINDER 1	1	1	1	1	
28	5BE-11351-00	GASKET, CYLINDER	1	1	1	1	
29	90179-06500	NUT	2	2	2	2	
30	93612-16254	PIN, DOWEL	2	2	2	2	
31	90179-08270	NUT	2	2	2	2	
32	95027-06040	BOLT, FLANGE	1	1	1	1	
33	5JG-11387-00	CLAMP, HOSE 1	1	1	1	1	

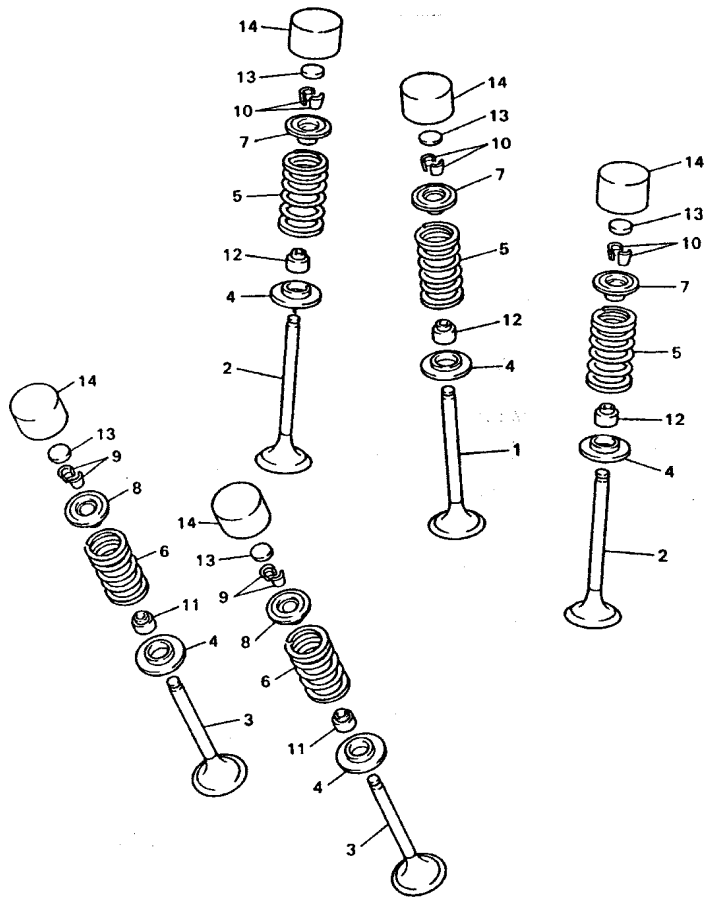
FIG. 2 CRANKSHAFT, PISTON



5BE100-8020

REF. NO.	PART NO.	DESCRIPTION					REMARKS
			5JG1	5JG2	5JG3	5JG4	
1	5JG-11400-00	CRANKSHAFT ASSY	1	1	1	1	
2	5JG-11412-00	.CRANK 1	1	1	1	1	
3	5JG-11422-00	.CRANK 2	1	1	1	1	
4	5BE-11681-00	.PIN, CRANK 1	1	1	1	1	
5	93310-634B0	.BEARING	1	1	1	1	
6	5JG-11651-00	.ROD, CONNECTING	1	1	1	1	
7	93306-30633	BEARING	2	2	2	2	
8	5BE-11536-00	GEAR, DRIVE	1	1	1	1	
9	90282-05058	KEY, STRAIGHT	1	1	1	1	
10	5BE-11455-00	SHAFT 1	1	1	1	1	
11	5BE-11454-00	WEIGHT 1	1	1	1	1	
12	5BE-11531-00	GEAR, BALANCE WT	1	1	1	1	
13	90149-06250	SCREW	3	3	3	3	
14	93306-20335	BEARING	1	1	1	1	
15	93311-62574	BEARING	1	1	1	1	
16	90170-14171	NUT	1	1	1	1	
17	90215-14204	WASHER, LOCK	1	1	1	1	
18	90280-03017	KEY, WOODRUFF	1	1	1	1	
19	5JG-11631-00	PISTON (STD)	1	1	1	1	
20	5JG-11603-00	PISTON RING SET (STD)	1	1	1	1	
21	5JG-11633-00	PIN, PISTON	1	1	1	1	
22	93420-19084	CIRCLIP	2	2	2	2	

B4

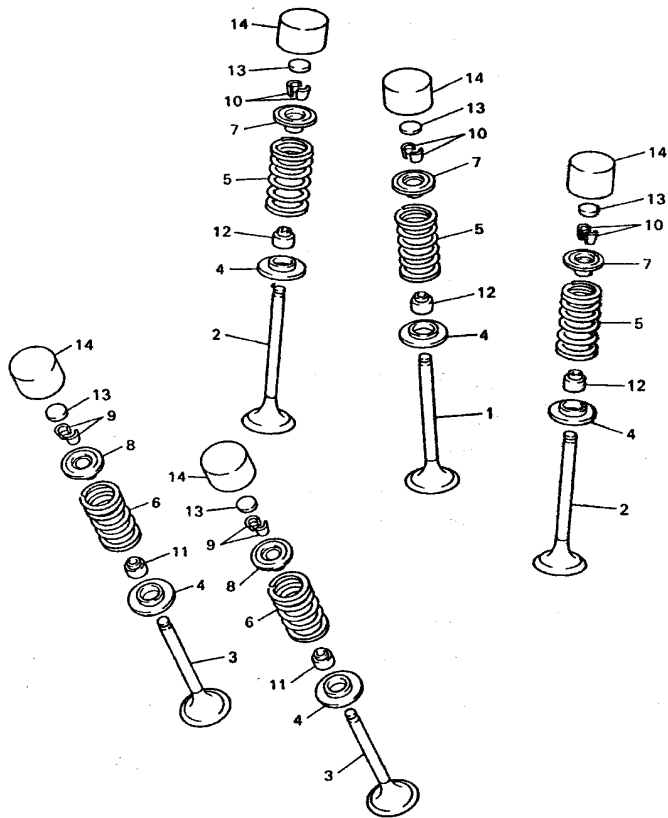


FWD
5BE100-8030

FIG. 3 VALVE

REF. NO.	PART NO.	DESCRIPTION					REMARKS
			5JG1	5JG2	5JG3	5JG4	
1	5BE-12111-10	VALVE, INTAKE	1	1	1	1	
2	5BE-12112-10	VALVE, INTAKE 2	2	2	2	2	
3	5BE-12121-10	VALVE, EXHAUST	2	2	2	2	
4	3GM-12126-00	SEAT, VALVE SPRING 2	5	5	5	5	
5	5BE-12113-00	SPRING, VALVE INNER	3	3	3	3	
6	5GR-12114-00	SPRING, VALVE OUTER	2	2	2	2	
7	5BE-12117-00	RETAINER, VALVE SPRING	3	3	3	3	
8	4GY-12117-00	RETAINER, VALVE SPRING	2	2	2	2	
9	1AA-12118-00	COTTER, VALVE	4	4	4	4	
10	1WG-12118-00	COTTER, VALVE	6	6	6	6	
11	33M-12119-00	SEAL, VALVE STEM	2	2	2	2	
12	4SV-12119-00	SEAL, VALVE STEM	3	3	3	3	
13	3LD-12168-00	PAD, ADJUSTING (1.20)	5	5	5	5	UR
	3LD-12168-20	PAD, ADJUSTING (1.25)	5	5	5	5	UR
	3LD-12168-40	PAD, ADJUSTING (1.30)	5	5	5	5	UR
	3LD-12168-60	PAD, ADJUSTING (1.35)	5	5	5	5	UR
	3LD-12168-80	PAD, ADJUSTING (1.40)	5	5	5	5	UR
	3LD-12168-A0	PAD, ADJUSTING (1.45)	5	5	5	5	UR
	3LD-12168-F0	PAD, ADJUSTING (1.50)	5	5	5	5	UR
	3LD-12168-H1	PAD, ADJUSTING (1.55)	5	5	5	5	UR
	3LD-12168-K1	PAD, ADJUSTING (1.60)	5	5	5	5	UR
	3LD-12168-M1	PAD, ADJUSTING (1.65)	5	5	5	5	UR
	3LD-12168-R1	PAD, ADJUSTING (1.70)	5	5	5	5	UR
	3LD-12168-U1	PAD, ADJUSTING (1.75)	5	5	5	5	UR
	3LD-12168-W1	PAD, ADJUSTING (1.80)	5	5	5	5	UR
	3LD-12168-Y1	PAD, ADJUSTING (1.85)	5	5	5	5	UR
	3LD-12169-11	PAD, ADJUSTING (1.90)	5	5	5	5	UR

B5



5BE100-8030

FIG. 3 VALVE

REF. NO.	PART NO.	DESCRIPTION					REMARKS
			SUG1	SUG2	SUG3	SUG4	
13	3LD-12169-31	PAD, ADJUSTING (1.95)	5	5	5	5	JR
	3LD-12169-50	PAD, ADJUSTING (2.00)	5	5	5	5	JR
	3LD-12169-70	PAD, ADJUSTING (2.05)	5	5	5	5	JR
	3LD-12169-90	PAD, ADJUSTING (2.10)	5	5	5	5	JR
	3LD-12169-E0	PAD, ADJUSTING (2.15)	5	5	5	5	JR
	3LD-12169-G0	PAD, ADJUSTING (2.20)	5	5	5	5	JR
	3LD-12169-J0	PAD, ADJUSTING (2.25)	5	5	5	5	JR
	3LD-12169-L0	PAD, ADJUSTING (2.30)	5	5	5	5	JR
	3LD-12169-N0	PAD, ADJUSTING (2.35)	5	5	5	5	JR
	3LD-12169-T0	PAD, ADJUSTING (2.40)	5	5	5	5	JR
14	3FV-12153-00	LIFTER, VALVE	5	5	5	5	JR BLACK
	3FV-12153-10	LIFTER, VALVE	5	5	5	5	JR YELLOW
	3FV-12153-20	LIFTER, VALVE	5	5	5	5	JR BLUE

B6

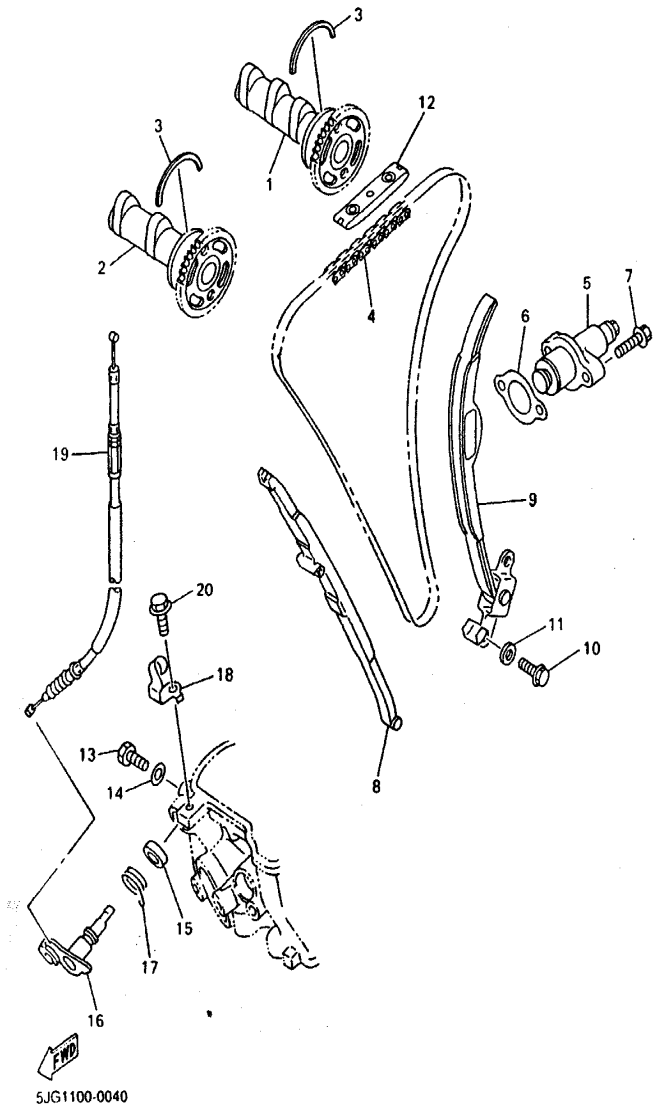


FIG. 4 CAMSHAFT. CHAIN

REF. NO.	PART NO.	DESCRIPTION	S/JG1	S/JG2	S/JG3	S/JG4	REMARKS
1	5BE-12170-00	CAMSHAFT ASSY 1	1	1	1	1	
2	5BE-12180-00	CAMSHAFT ASSY 2	1	1	1	1	
3	93440-41178	CIRCLIP	2	2	2	2	
4	94591-50120	CHAIN	1	1	1	1	
5	5BE-12210-00	TENSIONER ASSY, CAM CHAIN	1	1	1	1	
6	4FM-12213-00	GASKET, TENSIONER CASE	1	1	1	1	
7	95027-06025	BOLT, FLANGE	2	2	2	2	
8	5BE-12251-10	DAMPER, CHAIN 1	1	1	1	1	
9	5BE-12252-00	DAMPER, CHAIN 2	1	1	1	1	
10	97027-06016	BOLT	2	2	2	2	
11	92907-06600	WASHER, PLATE	2	2	2	2	
12	5BE-12241-00	GUIDE, STOPPER 2	1	1	1	1	
13	90109-06418	BOLT	1	1	1	1	
14	90430-06014	GASKET	1	1	1	1	
15	93102-12224	OIL SEAL	1	1	1	1	
16	5BE-12280-10	DECOMPRESSION ASSY	1	1	1	1	
17	90508-162B2	SPRING, TORSION	1	1	1	1	
18	5BE-12283-00	BRACKET, DECOMPRESSION	1	1	1	1	
19	5BE-12292-00	CABLE, DECOMPRESSION	1	1	1	1	
20	95827-06014	BOLT, FLANGE	1	1	1	1	

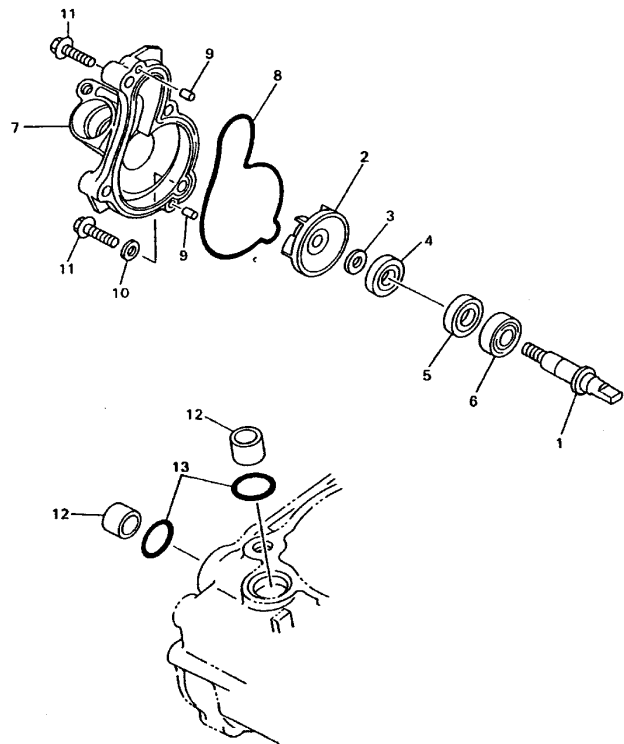


FIG. 5 WATER PUMP

REF. NO.	PART NO.	DESCRIPTION					REMARKS
			SUG1	SUG2	SUG3	SUG4	
1	5GR-12458-00	SHAFT, IMPELLER	1	1	1	1	
2	5DJ-12451-00	IMPELLER, WATER PUMP	1	1	1	1	
3	90201-08512	WASHER, PLATE	1	1	1	1	
4	93109-11073	OIL SEAL	1	1	1	1	
5	93102-12106	OIL SEAL (SD 12-22-5 HS)	1	1	1	1	
6	93306-00105	BEARING (B6001)	1	1	1	1	
7	5BE-12422-10	COVER, HOUSING	1	1	1	1	
8	5BE-12439-00	O-RING	1	1	1	1	
9	93604-10011	PIN, DOWEL	2	2	2	2	
10	90430-06014	GASKET	1	1	1	1	
11	95027-06025	BOLT, FLANGE	4	4	4	4	
12	5BE-12564-00	PIPE, WATER	2	2	2	2	
13	93210-19758	O-RING	2	2	2	2	

 5BE100-8050

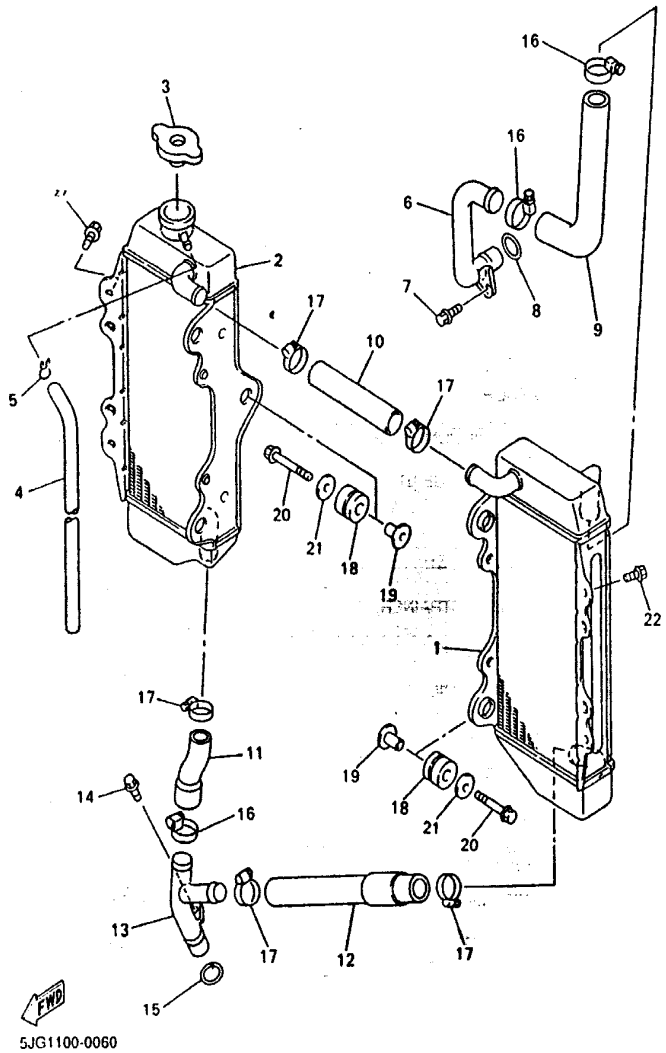
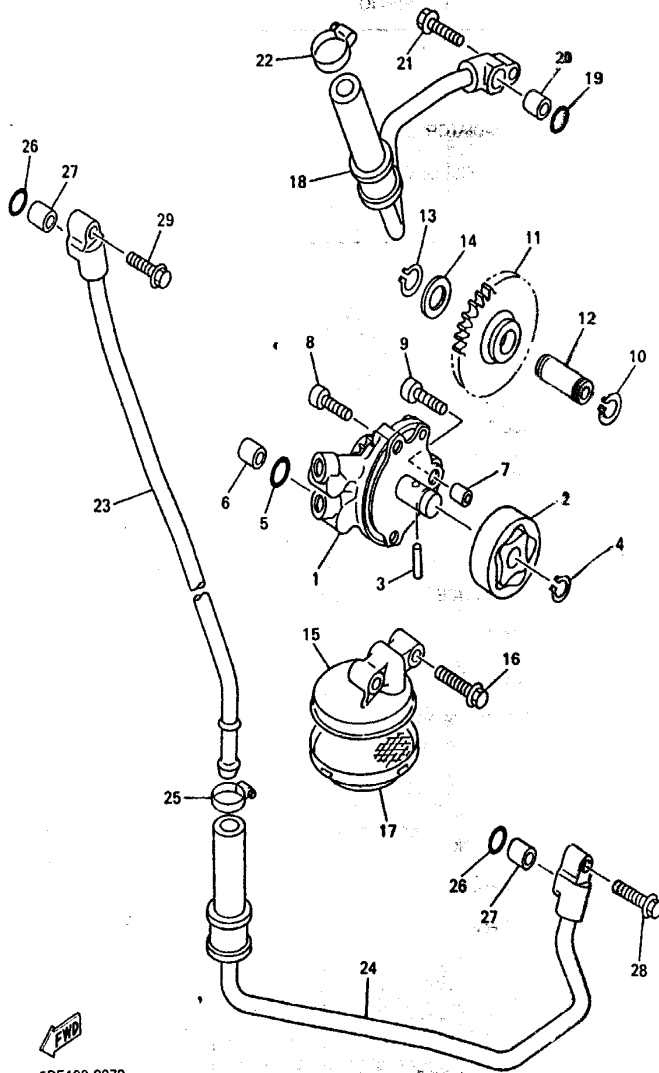


FIG. 6 RADIATOR. HOSE

REF. NO.	PART NO.	DESCRIPTION	5JG1	5JG2	5JG3	5JG4	REMARKS
1	5JG-1240A-00	RADIATOR ASSY	1	1	1	1	
2	5JG-12461-00	RADIATOR ASSY	1	1	1	1	
3	5HD-12462-00	CAP, RADIATOR	1	1	1	1	
4	91A20-05065	TUBE, FLEXIBLE VINYL	1	1	1	1	
5	90467-09006	CLIP	1	1	1	1	
6	5BE-12481-10	PIPE 1	1	1	1	1	
7	95027-06012	BOLT, FLANGE	1	1	1	1	
8	93210-16500	O-RING	1	1	1	1	
9	5BE-12576-00	HOSE 1	1	1	1	1	
10	5BE-12577-00	HOSE 2	1	1	1	1	
11	5BE-12578-00	HOSE 3	1	1	1	1	
12	5BE-12579-01	HOSE 4	1	1	1	1	
13	5BE-12482-00	PIPE 2	1	1	1	1	
14	95027-06012	BOLT, FLANGE	1	1	1	1	
15	93210-16500	O-RING	1	1	1	1	
16	90450-28014	HOSE CLAMP ASSY	3	3	3	3	
17	90450-25037	HOSE CLAMP ASSY	5	5	5	5	
18	90480-15528	GROMMET	6	6	6	6	
19	90387-0614M	COLLAR	6	6	6	6	
20	95027-06025	BOLT, FLANGE	6	6	6	6	
21	90201-06071	WASHER, PLATE	6	6	6	6	
22	95827-06010	BOLT, FLANGE	2	2	2	2	



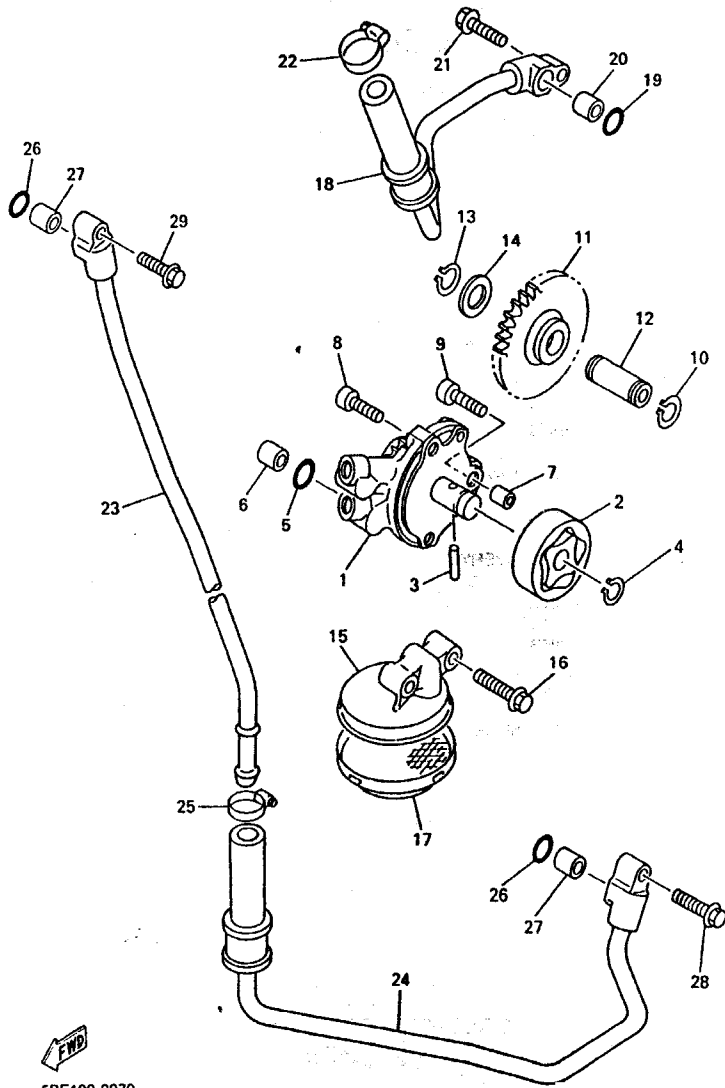
5BE100-8070

FIG. 7 OIL PUMP

REF. NO.	PART NO.	DESCRIPTION	5/G1	5/G2	5/G3	5/G4	REMARKS
1	5BE-13300-00	OIL PUMP ASSY	1	1	1	1	
2	1HX-13310-00	ROTOR ASSY 1	1	1	1	1	
3	93603-17070	PIN, DOWEL	1	1	1	1	
4	93440-10085	CIRCLIP	1	1	1	1	
5	93210-10197	O-RING	1	1	1	1	
6	99530-10114	PIN, DOWEL	1	1	1	1	
7	99530-08012	PIN, DOWEL	1	1	1	1	
8	91317-06025	BOLT	2	2	2	2	
9	91314-06030	BOLT	1	1	1	1	
10	99001-08600	CIRCLIP	1	1	1	1	
11	5BE-13341-00	GEAR, OIL PUMP IDLE	1	1	1	1	
12	5BE-13342-00	SHAFT, IDLE GEAR	1	1	1	1	
13	99009-12400	CIRCLIP	1	1	1	1	
14	90201-12166	WASHER, PLATE	1	1	1	1	
15	5BE-13412-00	HOUSING, STRAINER	1	1	1	1	
16	95027-06025	BOLT, FLANGE	2	2	2	2	
17	5BE-13411-00	STRAINER, OIL	1	1	1	1	
18	5BE-13464-00	HOSE, OIL 1	1	1	1	1	
19	93210-10197	O-RING	1	1	1	1	
20	99530-10114	PIN, DOWEL	1	1	1	1	
21	95027-06025	BOLT, FLANGE	1	1	1	1	
22	90450-22017	HOSE CLAMP ASSY	1	1	1	1	
23	5BE-13416-00	PIPE, OIL 1	1	1	1	1	
24	5BE-13465-00	HOSE, OIL 2	1	1	1	1	
25	90450-22017	HOSE CLAMP ASSY	1	1	1	1	
26	93210-10197	O-RING	2	2	2	2	
27	99530-10114	PIN, DOWEL	2	2	2	2	

B10

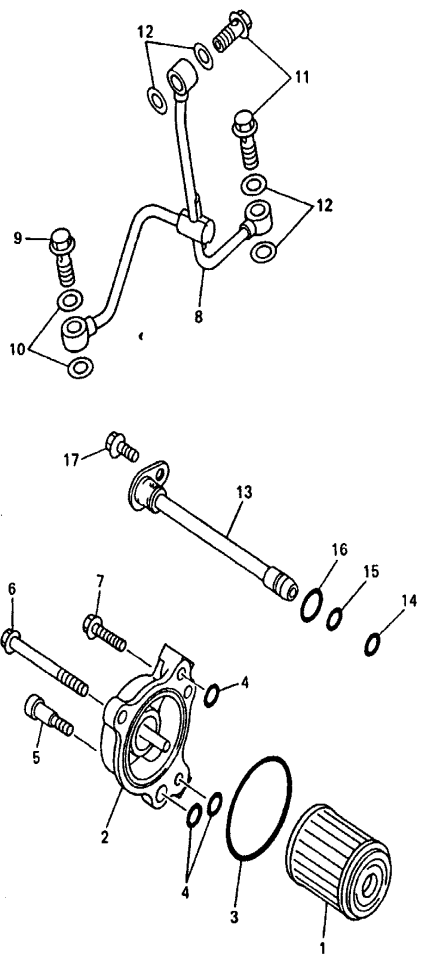
FIG. 7 OIL PUMP



FWD
5BE100-8070

REF. NO.	PART NO.	DESCRIPTION	5JG1	5JG2	5JG3	5JG4	REMARKS
28	95027-06025	BOLT, FLANGE	1	1	1	1	
29	95024-06020	BOLT, FLANGE	1	1	1	1	

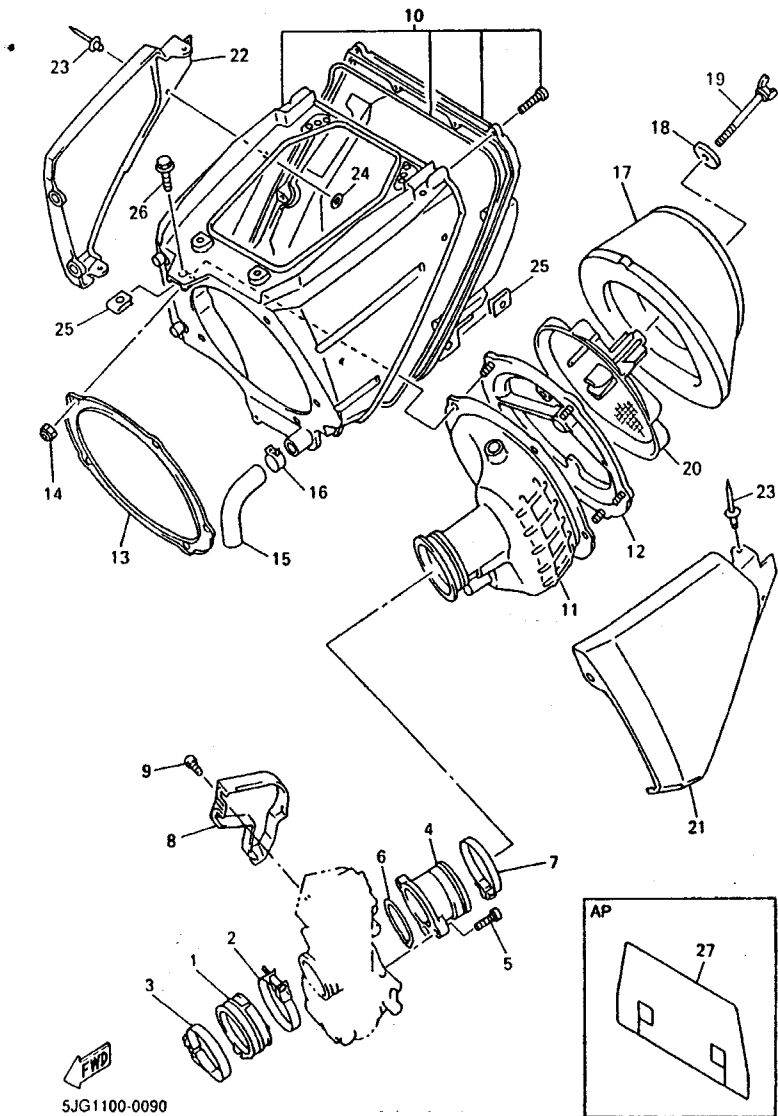
B11



FWD
SBE100-8080

FIG. 8 OIL CLEANER

REF. NO.	PART NO.	DESCRIPTION	SUG1	SUG2	SUG3	SUG4	REMARKS
1	1UY-13440-02	ELEMENT ASSY, OIL CLEANER	1	1	1	1	
2	5BE-13447-00	COVER, OIL ELEMENT	1	1	1	1	
3	93210-50553	O-RING	1	1	1	1	
4	93210-07135	O-RING	3	3	3	3	
5	90109-065G2	BOLT	1	1	1	1	
6	95027-06065	BOLT, FLANGE	1	1	1	1	
7	95027-06020	BOLT, FLANGE	1	1	1	1	
8	5BE-13161-01	PIPE, DELIVERY 1	1	1	1	1	
9	90401-10159	BOLT, UNION	1	1	1	1	
10	90430-10188	GASKET	2	2	2	2	
11	90401-08038	BOLT, UNION	2	2	2	2	
12	90430-08119	GASKET	4	4	4	4	
13	5BE-13171-00	PIPE, DELIVERY 2	1	1	1	1	
14	93210-07003	O-RING	1	1	1	1	
15	93210-09008	O-RING	1	1	1	1	
16	93210-12759	O-RING	1	1	1	1	
17	95027-06012	BOLT, FLANGE	1	1	1	1	



5JG1100-0090

FIG. 9 INTAKE

REF. NO.	PART NO.	DESCRIPTION					REMARKS
			5JG1	5JG2	5JG3	5JG4	
1	5JG-13597-00	JOINT, CARBURETOR 3	1	1	1	1	
2	90450-57092	HOSE CLAMP ASSY	1	1	1	1	
3	90450-59091	HOSE CLAMP ASSY	1	1	1	1	
4	5JG-1440F-00	JOINT, AIR FILTER 1	1	1	1	1	
5	91317-05014	BOLT	2	2	2	2	
6	4FN-14561-00	O-RING	1	1	1	1	
7	90460-61162	CLAMP, HOSE	1	1	1	1	
8	5JG-14293-00	COVER 1	1	1	1	1	
9	5JG-14428-00	BOLT	1	1	1	1	
10	5JG-14401-00	AIR CLEANER CASE ASSY	1	1	1	1	
11	5JG-14453-00	JOINT, AIR CLEANER 1	1	1	1	1	
12	3JD-14459-01	HOLDER, GUIDE	1	1	1	1	
13	3JD-14477-00	PLATE	1	1	1	1	
14	95607-05100	NUT, U	5	5	5	5	
15	5BE-1443E-00	PIPE, DRAIN	1	1	1	1	
16	90467-17089	CLIP	1	1	1	1	
17	4XM-14451-00	ELEMENT, AIR CLEANER	1	1	1	1	
18	90209-06096	WASHER	1	1	1	1	
19	90122-06035	BOLT, WING	1	1	1	1	
20	5BE-14458-00	GUIDE	1	1	1	1	
21	5BE-1441A-00	COVER, CLEANER CASE 1	1	1	1	1	
22	5BE-1441E-00	COVER, CLEANER CASE 2	1	1	1	1	
23	90267-32070	RIVET, BLIND	5	5	5	5	
24	90201-03313	WASHER, PLATE	5	5	5	5	
25	90183-06023	NUT, SPRING	2	2	2	2	
26	95027-06012	BOLT, FLANGE	1	1	1	1	
27	5JG-14417-00	COVER 1	1	1	1	1	AP

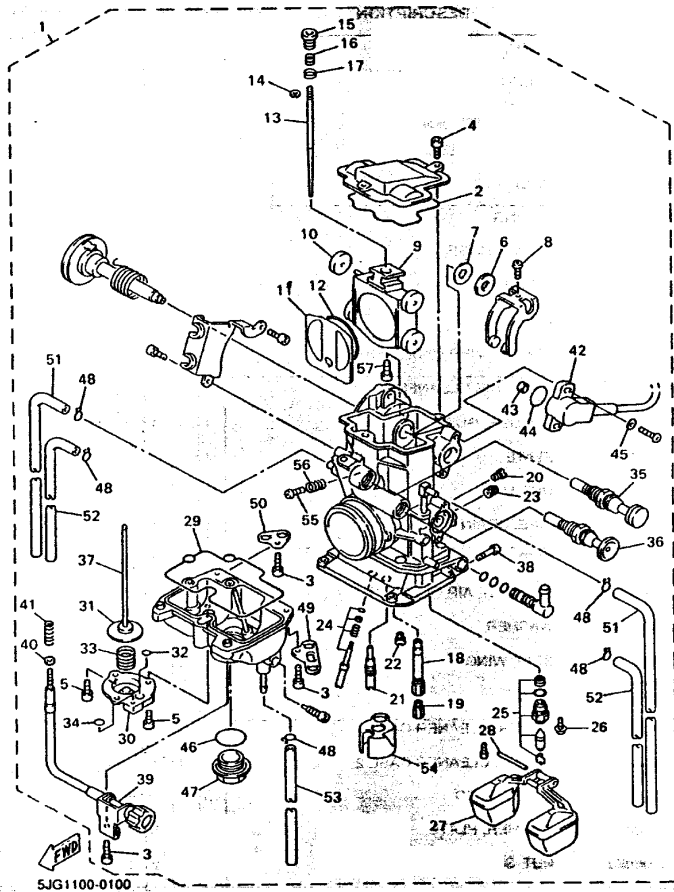


FIG. 10 CARBURETOR

REF. NO.	PART NO.	DESCRIPTION	SJG1	SJG2	SJG3	SJG4	REMARKS
1	5JG-14101-00	CARBURETOR ASSY 1	1				
	5JG-14101-10	CARBURETOR ASSY 1		1	1	1	
2	5JG-14959-00	.GASKET	1	1	1	1	
3	91316-04012	.BOLT	4	4	4	4	
4	91316-04012	.BOLT	2	2	2	2	
5	91316-04008	.BOLT	3	3	3	3	
6	90202-08045	.WASHER, PLATE	1	1	1	1	
7	5JG-14951-00	.WASHER	1	1	1	1	
8	5JG-14522-00	.SCREW, ADJUST	1	1	1	1	
9	5JG-14388-00	.VALVE, VACUUM CONTROL	1	1	1	1	
10	3TJ-14267-40	.ROLLER	1	1	1	1	
11	5JG-14546-00	.VALVE, NEEDLE	1	1	1	1	
12	4FN-14997-00	.SEAL	1	1	1	1	
13	5JG-14916-ER	.NEEDLE (#EVR)	1				STD
	5JG-14916-E1	.NEEDLE (#EVQ)		1	1	1	STD
	5JG-14916-DN	.NEEDLE (#DVN)	1	1	1	1	AP
	5JG-14916-DP	.NEEDLE (#DVP)	1	1	1	1	AP
	5JG-14916-D1	.NEEDLE (#DVQ)	1	1	1	1	AP
	5JG-14916-DR	.NEEDLE (#DVR)	1	1	1	1	AP
	5JG-14916-DS	.NEEDLE (#DVS)	1	1	1	1	AP
	5JG-14916-DT	.NEEDLE (#DVT)	1	1	1	1	AP
	5JG-14916-DU	.NEEDLE (#DVU)	1	1	1	1	AP
	5JG-14916-EN	.NEEDLE (#EVN)	1	1	1	1	AP
	5JG-14916-EP	.NEEDLE (#EVP)	1	1	1	1	AP
	5JG-14916-E1	.NEEDLE (#EVQ)	1				AP
	5JG-14916-ER	.NEEDLE (#EVR)		1	1	1	AP
	5JG-14916-ES	.NEEDLE (#EVS)	1	1	1	1	AP

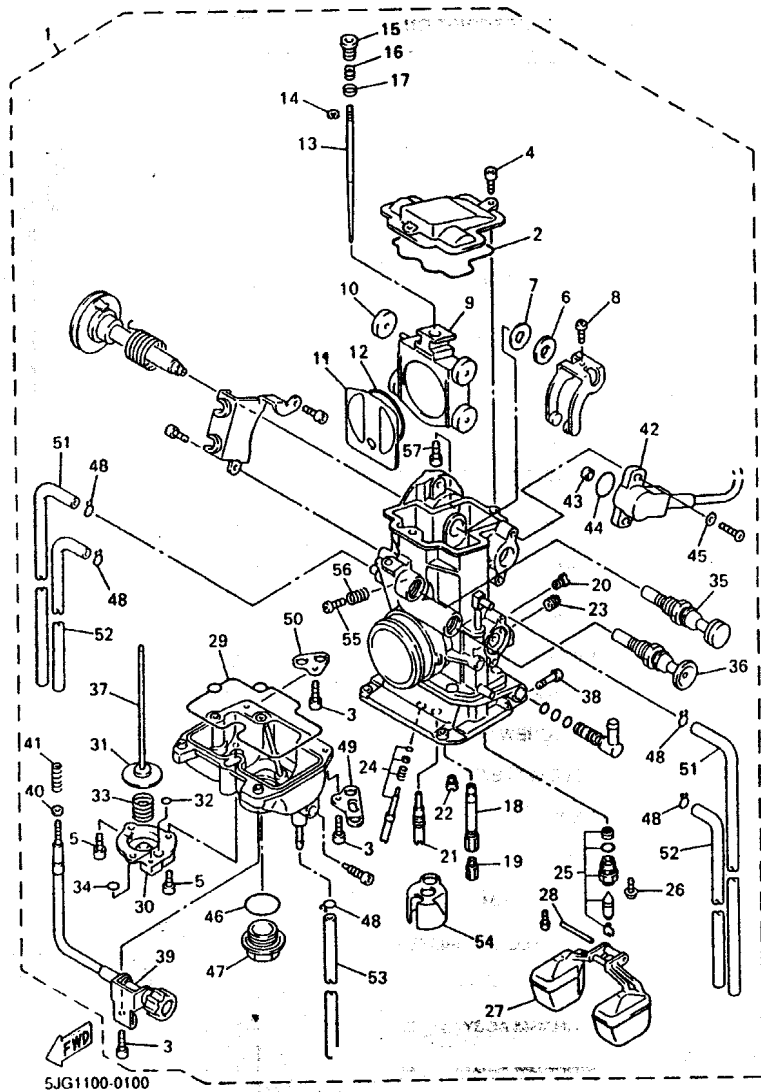


FIG. 10 CARBURETOR

REF. NO.	PART NO.	DESCRIPTION	5JG1	5JG2	5JG3	5JG4	REMARKS
13	5JG-14916-ET	.NEEDLE (#EVT)	1	1	1	1	AP
	5JG-14916-EU	.NEEDLE (#EVU)	1	1	1	1	AP
	5JG-14916-FN	.NEEDLE (#FVN)	1	1	1	1	AP
	5JG-14916-FP	.NEEDLE (#FVP)	1	1	1	1	AP
	5JG-14916-F1	.NEEDLE (#FVQ)	1	1	1	1	AP
	5JG-14916-FR	.NEEDLE (#FVR)	1	1	1	1	AP
	5JG-14916-FS	.NEEDLE (#FVS)	1	1	1	1	AP
	5JG-14916-FT	.NEEDLE (#FVT)	1	1	1	1	AP
	5JG-14916-FU	.NEEDLE (#FVU)	1	1	1	1	AP
14	3TJ-14159-40	.CLIP	1	1	1	1	
15	5JG-14521-00	.SCREW, ADJUST	1	1	1	1	
16	5JG-14275-00	.SPRING	1	1	1	1	
17	5JG-14264-00	.COLLAR	1	1	1	1	
18	5JG-14947-00	.JET, NEEDLE	1	1	1	1	
19	4MX-14943-90	.JET, MAIN (#162)	1	1	1	1	STD
	4MX-14943-88	.JET, MAIN (#152)	1	1	1	1	AP
	4MX-14943-38	.JET, MAIN (#155)	1	1	1	1	AP
	4MX-14943-89	.JET, MAIN (#158)	1	1	1	1	AP
	4MX-14943-39	.JET, MAIN (#160)	1	1	1	1	AP
	4MX-14943-40	.JET, MAIN (#165)	1	1	1	1	AP
	4MX-14943-91	.JET, MAIN (#168)	1	1	1	1	AP
	4MX-14943-41	.JET, MAIN (#170)	1	1	1	1	AP
	4MX-14943-92	.JET, MAIN (#172)	1	1	1	1	AP
	4MX-14943-42	.JET, MAIN (#175)	1	1	1	1	AP
	4MX-14943-93	.JET, MAIN (#178)	1	1	1	1	AP
20	3TJ-14943-47	.JET (#200)	1	1	1	1	
21	4MX-14948-04	.JET, SLOW (#42)	1	1	1	1	STD

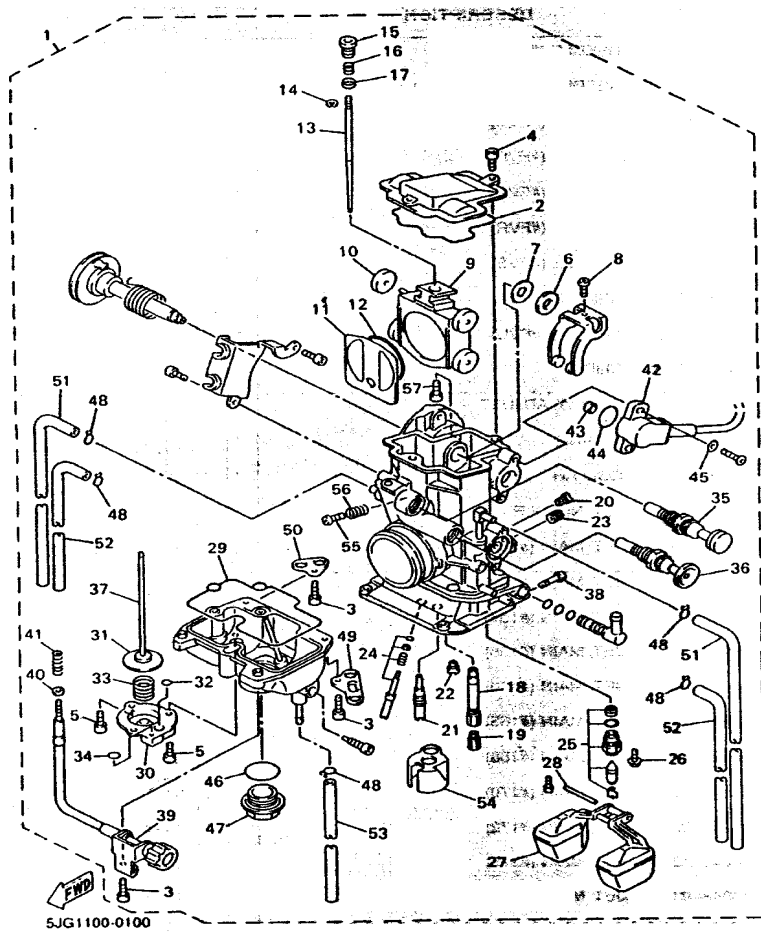


FIG. 10 CARBURETOR

REF. NO.	PART NO.	DESCRIPTION					REMARKS
			5/G1	5/G2	5/G3	5/G4	
21	4MX-14948-01	.JET, SLOW (#35)	1	1	1	1	AP
	4MX-14948-02	.JET, SLOW (#38)	1	1	1	1	AP
	4MX-14948-03	.JET, SLOW (#40)	1	1	1	1	AP
	4MX-14948-05	.JET, SLOW (#45)	1	1	1	1	AP
	4MX-14948-06	.JET, SLOW (#48)	1	1	1	1	AP
	4MX-14948-07	.JET, SLOW (#50)	1	1	1	1	AP
22	3TJ-1494F-16	.JET (#72)	1	1	1	1	STD
	3TJ-1494F-12	.JET (#62)	1	1	1	1	AP
	3TJ-1494F-13	.JET (#65)	1	1	1	1	AP
	3TJ-1494F-14	.JET (#68)	1	1	1	1	AP
	3TJ-1494F-15	.JET (#70)	1	1	1	1	AP
	3TJ-1494F-17	.JET (#75)	1	1	1	1	AP
	3TJ-1494F-18	.JET (#78)	1	1	1	1	AP
	3TJ-1494F-19	.JET (#80)	1	1	1	1	AP
	3TJ-1494F-20	.JET (#82)	1	1	1	1	AP
23	7A9-14943-27	.JET (#100)	1	1	1	1	
24	3TJ-14105-40	.PILOT SCREW SET	1	1	1	1	
25	5BE-14107-00	.NEEDLE VALVE SET	1	1	1	1	
26	5BE-14216-00	.SCREW	1	1	1	1	
27	4SR-14985-00	.FLOAT	1	1	1	1	
28	676-14548-00	.PIN, FLOAT ARM	1	1	1	1	
29	5JG-14984-00	.GASKET, FLOAT CHAMBER	1	1	1	1	
30	3TJ-14293-40	.COVER 1	1	1	1	1	
31	5BE-14940-18	.DIAPHRAGM ASSY	1	1	1	1	STD
	5BE-14940-15	.DIAPHRAGM ASSY	1	1	1	1	AP
	5BE-14940-17	.DIAPHRAGM ASSY	1	1	1	1	AP
	5BE-14940-19	.DIAPHRAGM ASSY	1	1	1	1	AP

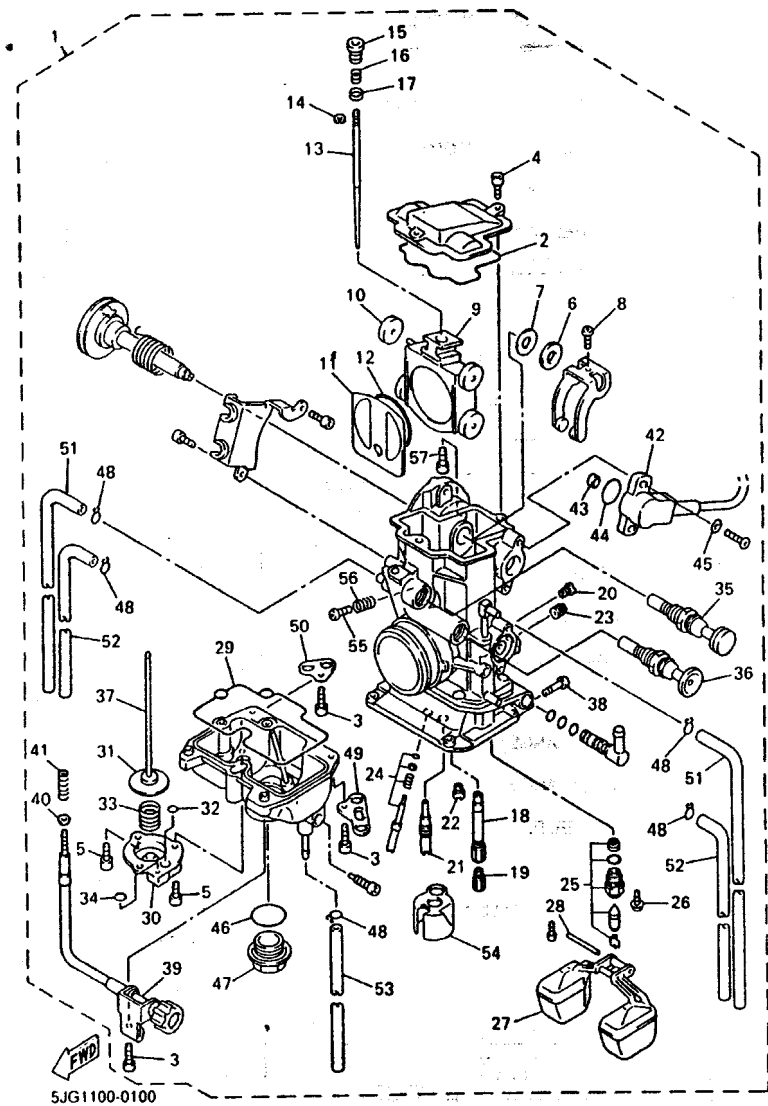


FIG. 10 CARBURETOR

REF. NO.	PART NO.	DESCRIPTION	5JG1	5JG2	5JG3	5JG4	REMARKS
32	3TJ-14536-40	.GASKET	1	1	1	1	
33	3TJ-14933-40	.SPRING, DIAPHRAGM	1	1	1	1	
34	6H4-14561-00	.O-RING	1	1	1	1	
35	5JG-14171-00	.PLUNGER, STARTER	1	1	1	1	
36	5JG-14371-00	.PLUNGER, STARTER	1	1	1	1	
37	5JG-14379-00	.ROD, STARTER	1	1	1	1	
38	3TJ-14325-40	.SCREW, PAN HEAD	1	1	1	1	
39	5JG-14922-00	.SCREW, THROTTLE	1	1	1	1	
40	90201-08410	.WASHER, PLATE	1	1	1	1	
41	4FN-14934-00	.SPRING, THROTTLE STOP	1	1	1	1	
42	5JG-85885-00	.THROTTLE SENSOR ASSY	1	1	1	1	
43	5BE-14449-00	.COLLAR	1	1	1	1	
44	5BE-14562-00	.O-RING	1	1	1	1	
45	4YR-14557-00	.WASHER	2	2	2	2	
46	4MX-14561-00	.O-RING	1	1	1	1	
47	4MX-14115-00	.PLUG, SCREW	1	1	1	1	
48	3TJ-14137-40	.CLIP	5	5	5	5	
49	5JG-14146-00	.PLATE	1	1	1	1	
50	5BE-14146-00	.PLATE	1	1	1	1	
51	5JG-14197-00	.PIPE	2	2	2	2	
52	5JG-14197-10	.PIPE	2	2	2	2	
53	5JG-14987-00	.HOSE	1	1	1	1	
54	5JG-14346-00	.PLATE	1	1	1	1	
55	5JG-14565-00	.SCREW	1	1	1	1	
56	5JG-14531-00	.SPRING, ADJUST SCREW	1	1	1	1	
57	5JG-14591-00	.SCREW	1	1	1	1	

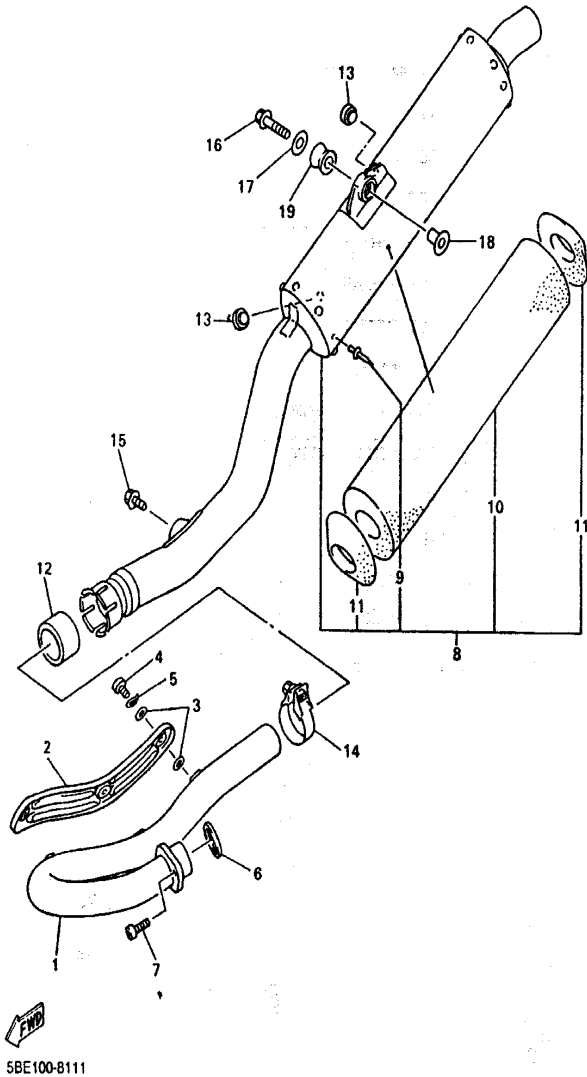


FIG. 11 EXHAUST

REF. NO.	PART NO.	DESCRIPTION	SJG1	SJG2	SJG3	REMARKS	
1	5BE-14611-00	PIPE, EXHAUST 1	1	1	1	1	
2	5BE-14628-00	PROTECTOR, EXHAUST PIPE	1	1	1	1	
3	4BD-14766-00	WASHER, PROTECTOR	6	6	6	6	
4	98980-06008	SCREW, BIND	3	3	3	3	
5	90206-06090	WASHER, WAVE	3	3	3	3	
6	3VD-14613-00	GASKET, EXHAUST PIPE	1	1	1	1	
7	91317-08020	BOLT	1	1	1	1	
8	5JG-14753-00	SILENCER, EXHAUST	1				
	5JG-14753-10	SILENCER, EXHAUST		1	1	1	
9	90267-48121	.RIVET, BLIND	8	8	8	8	
10	5JG-1469A-00	.FIBER	1				
	5BE-1469A-10	.FIBER		1	1	1	
11	5BE-1469E-00	.FIBER	2	2	2	2	
12	3GW-14714-00	GASKET, MUFFLER	1	1	1	1	
13	22W-24181-00	DAMPER, LOCATING 1	2	2	2	2	
14	5BE-14788-00	BAND, SILENCER	1	1	1	1	
15	95817-08012	BOLT, FLANGE	1	1	1	1	
16	95817-08030	BOLT, FLANGE	1	1	1	1	
17	90201-081R9	WASHER, PLATE	1	1	1	1	
18	90387-0814J	COLLAR	1	1	1	1	
19	5BE-14747-00	DAMPER, MUFFLER	1	1	1	1	

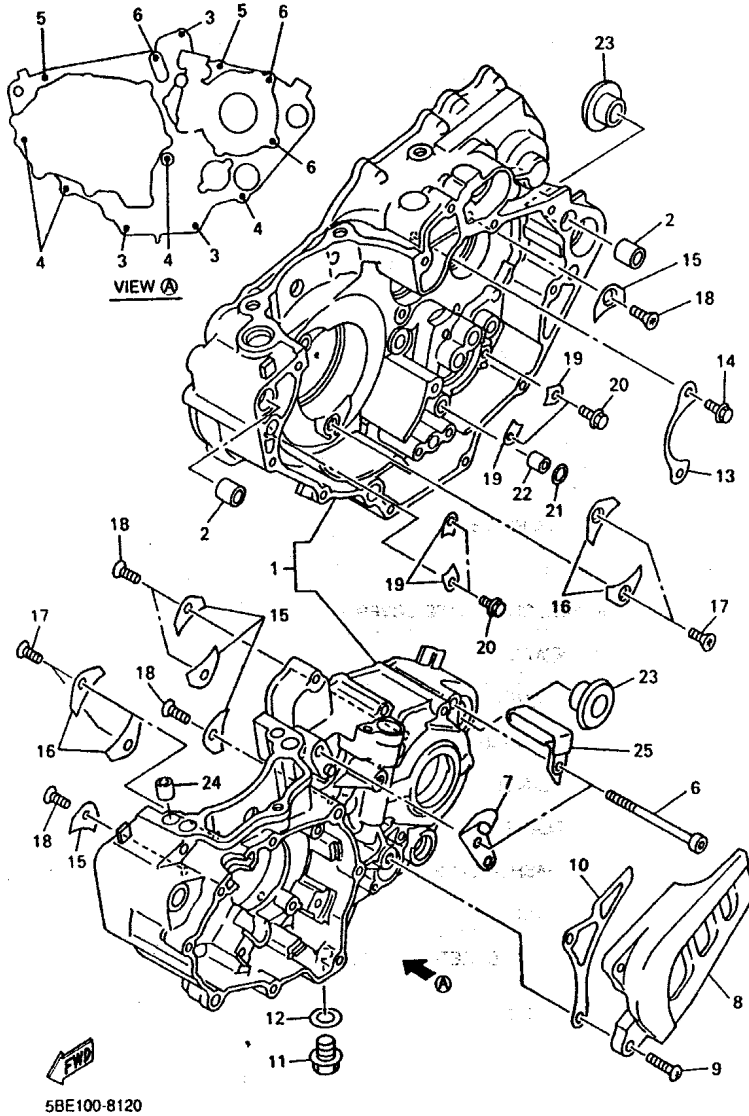
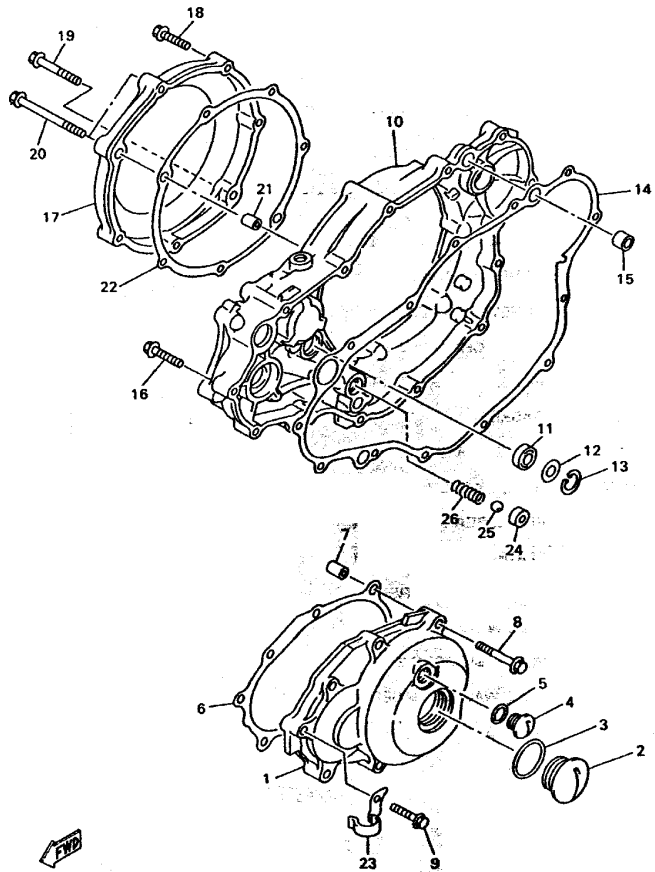


FIG. 12 CRANKCASE

REF. NO.	PART NO.	DESCRIPTION	SJG1	SJG2	SJG3	SJG4	REMARKS
1	5BE-15150-02	CRANKCASE ASSY	1	1	1	1	
2	99530-14016	PIN, DOWEL	2	2	2	2	
3	91317-06040	BOLT	3	3	3	3	
4	91317-06050	BOLT	4	4	4	4	
5	91317-06060	BOLT	2	2	2	2	
6	91317-06075	BOLT	3	3	3	3	
7	5BE-15441-00	HOLDER, CLUTCH CABLE	1	1	1	1	
8	5BE-15421-00	COVER, CRANKCASE 2	1	1	1	1	
9	98507-06025	SCREW, PAN HEAD	2	2	2	2	
10	5BE-17466-10	GUIDE, CHAIN	1	1	1	1	
11	90340-12059	PLUG, STRAIGHT SCREW	1	1	1	1	
12	90430-12213	GASKET	1	1	1	1	
13	4L0-17471-00	PLATE, COVER	1	1	1	1	
14	90105-06553	BOLT, WASHER BASED	2	2	2	2	
15	4JT-15381-01	PLATE, BEARING COVER	5	5	5	5	
16	5BE-15383-00	PLATE, BEARING COVER	4	4	4	4	
17	90151-06002	SCREW, COUNTERSUNK	4	4	4	4	
18	90149-06326	SCREW	5	5	5	5	
19	5DH-18562-00	PLATE, STOPPER 2	4	4	4	4	
20	90105-06553	BOLT, WASHER BASED	4	4	4	4	
21	93210-10197	O-RING	1	1	1	1	
22	99530-10114	PIN, DOWEL	1	1	1	1	
23	90387-1712Y	COLLAR	2	2	2	2	
24	99530-10116	PIN, DOWEL	2	2	2	2	
25	90461-10136	CLAMP	1	1	1	1	



5BE100-8130

FIG. 13 CRANKCASE COVER 1

REF. NO.	PART NO.	DESCRIPTION	5JG1	5JG2	5JG3	5JG4	REMARKS
1	5BE-15411-00	COVER, CRANKCASE 1	1	1	1	1	
2	90340-32123	PLUG, STRAIGHT SCREW	1	1	1	1	
3	93210-32172	O-RING	1	1	1	1	
4	90340-14128	PLUG, STRAIGHT SCREW	1	1	1	1	
5	93210-14369	O-RING	1	1	1	1	
6	5BE-15451-00	GASKET, CRANKCASE COVER 1	1	1	1	1	
7	99530-08016	PIN, DOWEL	2	2	2	2	
8	95027-06040	BOLT, FLANGE	2	2	2	2	
9	95027-06030	BOLT, FLANGE	6	6	6	6	
10	5JG-15431-00	COVER, CRANKCASE 3	1	1	1	1	
11	93101-14164	OIL SEAL	1	1	1	1	
12	90201-15701	WASHER, PLATE (1.0T)	1	1	1	1	
13	99009-22500	CIRCLIP	1	1	1	1	
14	5BE-15462-00	GASKET, CRANKCASE COVER 3	1	1	1	1	
15	91812-16001	PIN, DOWEL	2	2	2	2	
16	95027-06030	BOLT, FLANGE	10	10	10	10	
17	5JG-15415-00	COVER, GENERATOR	1	1	1	1	
18	95027-06030	BOLT, FLANGE	4	4	4	4	
19	95027-06040	BOLT, FLANGE	1	1	1	1	
20	90105-065A1	BOLT, WASHER BASED	2	2	2	2	
21	99530-08016	PIN, DOWEL	2	2	2	2	
22	5JG-15453-00	GASKET, CARBURETOR COVER	1	1	1	1	
23	90462-10241	CLAMP	1	1	1	1	
24	583-13113-00	SEAT, CHECK BALL	1	1	1	1	
25	93503-08007	BALL	1	1	1	1	
26	90501-043E0	SPRING, COMPRESSION	1	1	1	1	

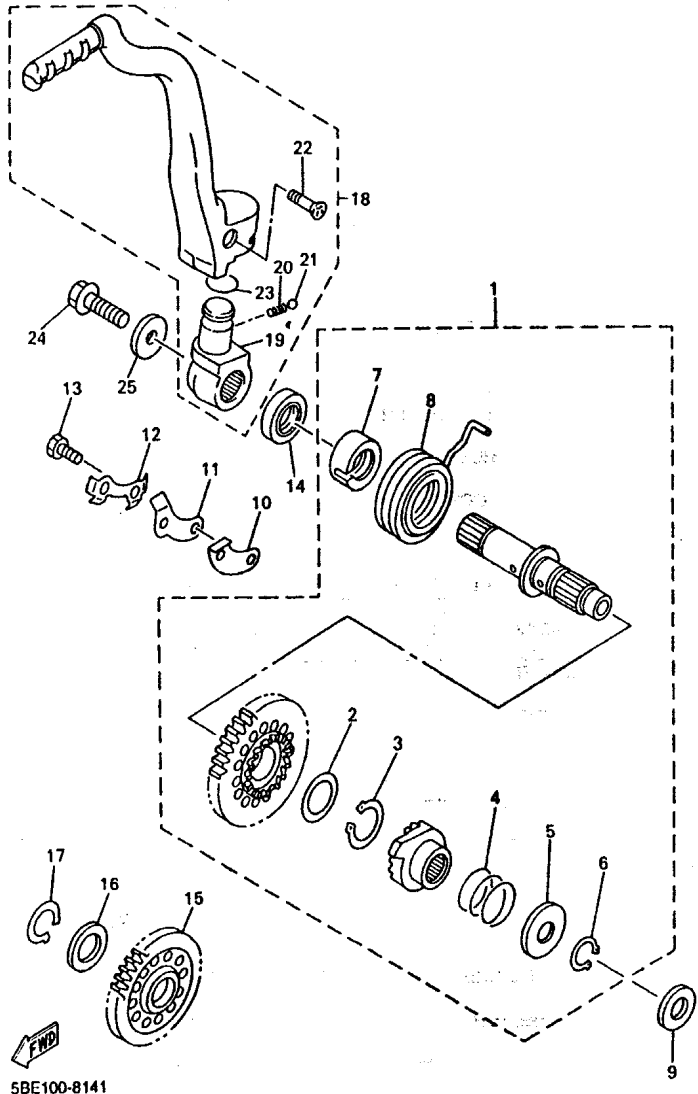
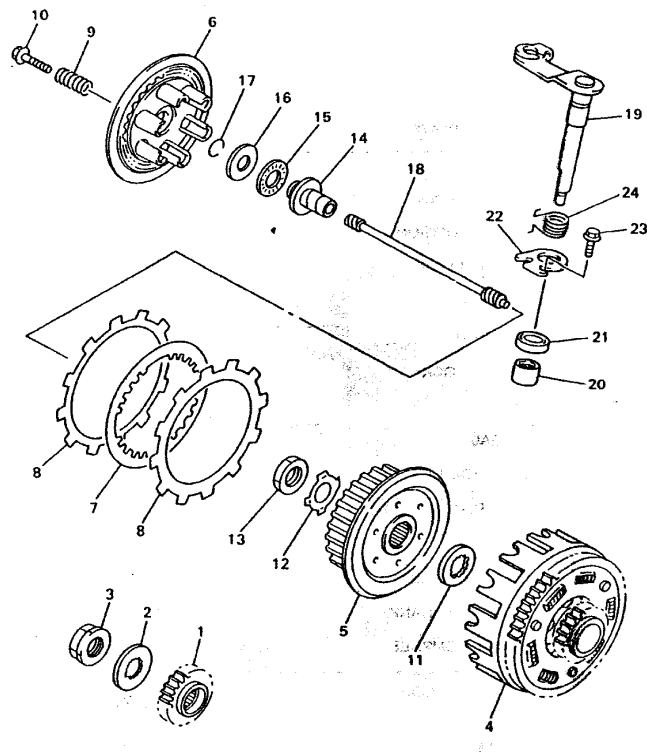


FIG. 14 STARTER

REF. NO.	PART NO.	DESCRIPTION					REMARKS
			SUG1	SUG2	SUG3	SUG4	
1	5GR-15601-00	KICK SHAFT ASSY	1	1	1	1	
2	90201-20685	.WASHER, PLATE (0.5T)	1	1	1	1	
3	93410-20038	.CIRCLIP	1	1	1	1	
4	90501-16107	.SPRING, COMPRESSION	1	1	1	1	
5	90201-167P7	.WASHER, PLATE	1	1	1	1	
6	99009-16400	.CIRCLIP	1	1	1	1	
7	5GR-15664-00	.GUIDE, SPRING	1	1	1	1	
8	90508-30743	.SPRING, TORSION	1	1	1	1	
9	90201-162H4	WASHER, PLATE	1	1	1	1	
10	5BE-15668-00	STOPPER	1	1	1	1	
11	5BE-15674-00	GUIDE, RATCHET WHEEL	1	1	1	1	
12	5BE-15686-01	WASHER, LOCK	1	1	1	1	
13	90101-06001	BOLT	2	2	2	2	
14	93102-20108	OIL SEAL	1	1	1	1	
15	5BE-15651-00	GEAR, KICK IDLE	1	1	1	1	
16	90201-20276	WASHER, PLATE (1.0T)	1	1	1	1	
17	99009-20400	CIRCLIP	1	1	1	1	
18	5BE-15620-02	KICK CRANK ASSY	1	1	1	1	
19	3SP-15621-02	.BOSS, KICK CRANK	1	1	1	1	
20	90501-13720	.SPRING, COMPRESSION	1	1	1	1	
21	93501-04011	.BALL	1	1	1	1	
22	90152-06010	.SCREW, COUNTERSUNK	1	1	1	1	
23	93210-19216	.O-RING	1	1	1	1	
24	90105-08752	BOLT, WASHER BASED	1	1	1	1	
25	90201-087A9	WASHER, PLATE	1	1	1	1	



5JG1100-0150

FIG. 15 CLUTCH

REF. NO.	PART NO.	DESCRIPTION	5JG1	5JG2	5JG3	5JG4	REMARKS
1	5JG-16111-00	GEAR, PRIMARY DRIVE	1	1	1	1	
2	90215-21001	WASHER, LOCK	1	1	1	1	
3	90179-20001	NUT	1	1	1	1	
4	5JG-16150-00	PRIMARY DRIVEN GEAR COMP.	1	1	1	1	
5	5JG-16371-00	BOSS, CLUTCH	1	1	1	1	
6	5JG-16351-00	PLATE, PRESSURE 1	1	1	1	1	
7	5JG-16325-00	PLATE, CLUTCH 2	8	8	8	8	
8	3XK-16321-00	PLATE, FRICTION	9	9	9	9	
9	90501-244L9	SPRING, COMPRESSION	6	6	6	6	
10	90159-06092	SCREW, WITH WASHER	6	6	6	6	
11	2JN-16154-00	PLATE, THRUST 1	1	1	1	1	
12	90215-20231	WASHER, LOCK	1	1	1	1	
13	90170-20327	NUT	1	1	1	1	
14	5BE-16356-00	ROD, PUSH 1	1	1	1	1	
15	93340-21505	BEARING	1	1	1	1	
16	90201-125L6	WASHER, PLATE	1	1	1	1	
17	93440-10085	CIRCLIP	1	1	1	1	
18	5JG-16357-00	ROD, PUSH 2	1	1	1	1	
19	5BE-16381-00	PUSH LEVER COMP.	1	1	1	1	
20	93315-11206	BEARING	1	1	1	1	
21	93102-12224	OIL SEAL	1	1	1	1	
22	4JT-16384-00	PLATE, SEAT	1	1	1	1	
23	95027-06010	BOLT, FLANGE	1	1	1	1	
24	90508-142B5	SPRING, TORSION	1	1	1	1	

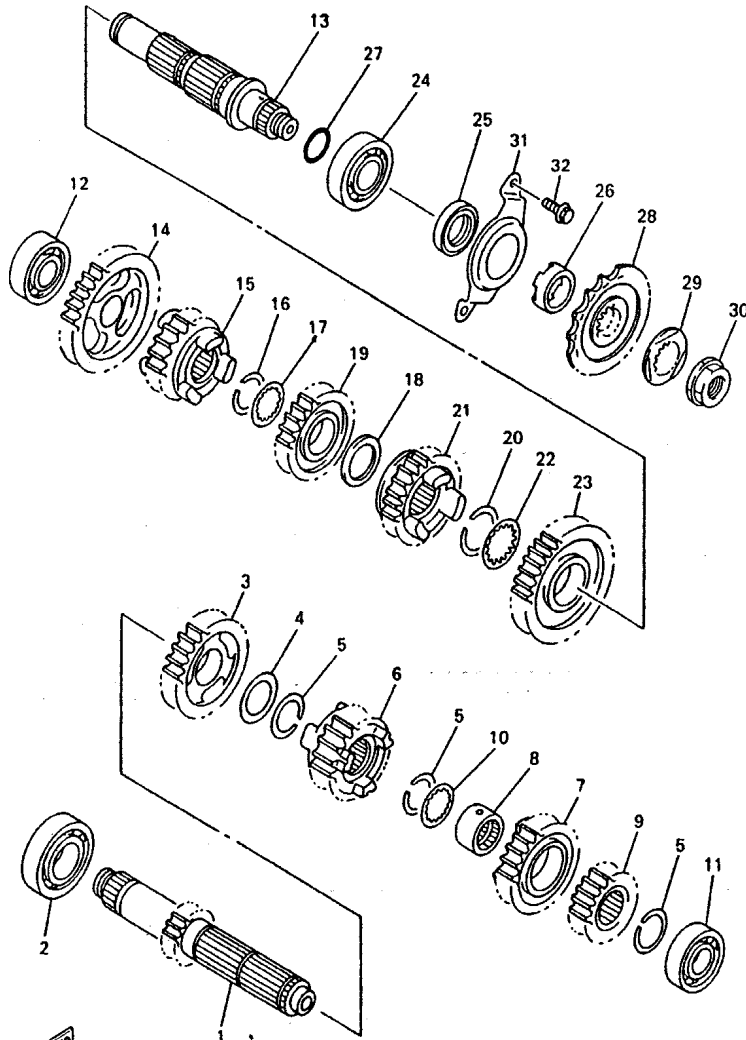
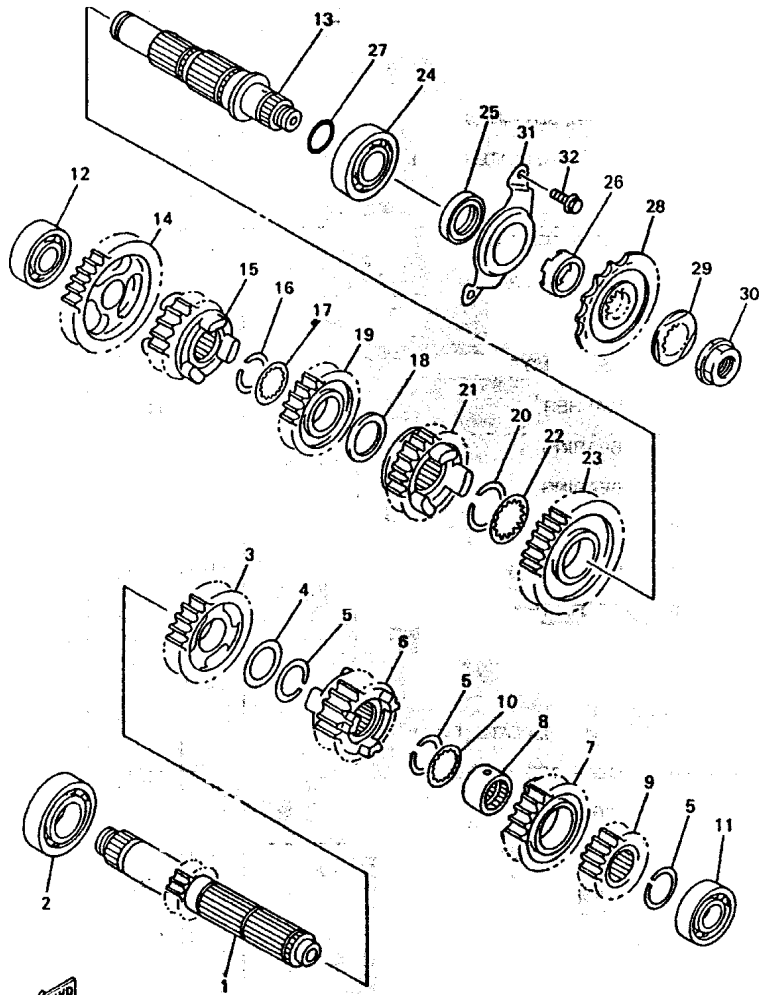


FIG. 16 TRANSMISSION

REF. NO.	PART NO.	DESCRIPTION	5JG1	5JG2	5JG3	5JG4	REMARKS
1	5JG-17411-00	AXLE, MAIN	1	1	1	1	
2	93306-20532	BEARING	1	1	1	1	
3	5BE-17151-00	GEAR, 5TH PINION	1	1	1	1	
4	90201-253K0	WASHER, PLATE (T=1.0)	1	1	1	1	
5	93440-25084	CIRCLIP	3	3	3	3	
6	5BE-17131-10	GEAR, 3RD PINION	1	1	1	1	
7	5BE-17141-20	GEAR, 4TH PINION	1	1	1	1	
8	90387-2113G	COLLAR	1	1	1	1	
9	5JG-17121-00	GEAR, 2ND PINION	1	1	1	1	
10	90209-21332	WASHER	1	1	1	1	
11	93306-00431	BEARING	1	1	1	1	
12	93306-00426	BEARING	1	1	1	1	
13	5BE-17421-00	AXLE, DRIVE	1	1	1	1	
14	5JG-17211-00	GEAR, 1ST WHEEL	1	1	1	1	
15	5BE-17251-10	GEAR, 5TH WHEEL	1	1	1	1	
16	93440-25084	CIRCLIP	1	1	1	1	
17	90209-21332	WASHER	1	1	1	1	
18	90201-253K0	WASHER, PLATE (T=1.0)	1	1	1	1	
19	5BE-17231-00	GEAR, 3RD WHEEL	1	1	1	1	
20	93440-28062	CIRCLIP	1	1	1	1	
21	5BE-17241-10	GEAR, 4TH WHEEL	1	1	1	1	
22	90209-26348	WASHER	1	1	1	1	
23	5JG-17221-00	GEAR, 2ND WHEEL	1	1	1	1	
24	93306-20593	BEARING	1	1	1	1	
25	93102-32480	OIL SEAL	1	1	1	1	
26	90387-2513F	COLLAR	1	1	1	1	
27	93210-22298	O-RING	1	1	1	1	



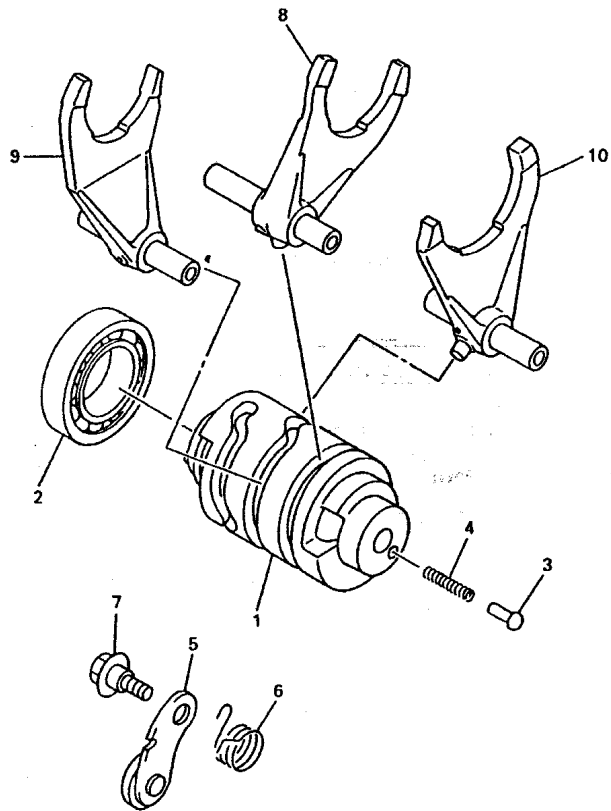
5JG1100-0160

FIG. 16 TRANSMISSION

REF. NO.	PART NO.	DESCRIPTION	5JG1	5JG2	5JG3	5JG4	REMARKS
28	9383E-14215	SPROCKET, DRIVE (14T)	1	1	1	1	
29	90215-21001	WASHER, LOCK	1	1	1	1	
30	90179-20001	NUT	1	1	1	1	
31	5GR-17471-00	PLATE, COVER	1	1	1	1	
32	90105-06553	BOLT, WASHER BASED	2	2	2	2	

C10

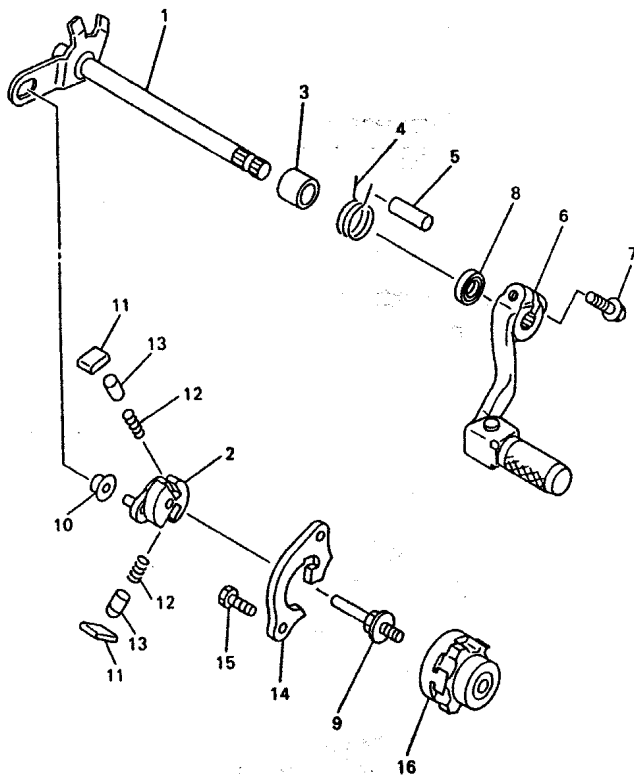
FIG. 17 SHIFT CAM. FORK



REF. NO.	PART NO.	DESCRIPTION	5JG1	5JG2	5JG3	5JG4	REMARKS
1	5BE-18541-00	CAM, SHIFT	1	1	1	1	
2	93306-90501	BEARING	1	1	1	1	
3	4BA-18542-00	POINT, NEUTRAL	1	1	1	1	
4	90501-06022	SPRING, COMPRESSION	1	1	1	1	
5	3XK-18140-00	STOPPER LEVER ASSY	1	1	1	1	
6	90508-26561	SPRING, TORSION	1	1	1	1	
7	90109-063F8	BOLT	1	1	1	1	
8	5BE-18501-00	FORK, SHIFT 1	1	1	1	1	
9	5BE-18502-10	FORK, SHIFT 2	1	1	1	1	
10	5BE-18503-00	FORK, SHIFT 3	1	1	1	1	

5BE100-8170

FIG. 18 SHIFT SHAFT



5BE100-8180

REF. NO.	PART NO.	DESCRIPTION	SJG1	SJG2	SJG3	SJG4	REMARKS
1	3XK-18101-02	SHIFT SHAFT ASSY	1	1	1	1	
2	3XK-18122-00	LEVER, SHIFT 2	1	1	1	1	
3	90387-124F4	COLLAR	1	1	1	1	
4	90508-291A8	SPRING, TORSION	1	1	1	1	
5	93608-33046	PIN, DOWEL	1	1	1	1	
6	5BE-18110-00	SHIFT PEDAL ASSY	1	1	1	1	
7	95027-06020	BOLT, FLANGE	1	1	1	1	
8	93102-12106	OIL SEAL (SD 12-22-5 HS)	1	1	1	1	
9	3XJ-18173-00	PIN, SHIFT	1	1	1	1	
10	3XJ-18178-00	ROLLER, SHIFT LEVER	1	1	1	1	
11	3XJ-18182-00	PAWL, SHIFTER	2	2	2	2	
12	90501-052G5	SPRING, COMPRESSION	2	2	2	2	
13	3XJ-18184-00	PIN, PAWL	2	2	2	2	
14	5BE-18172-00	GUIDE, SHIFT	1	1	1	1	
15	90101-06664	BOLT	2	2	2	2	
16	4EW-18185-00	SEGMENT	1	1	1	1	

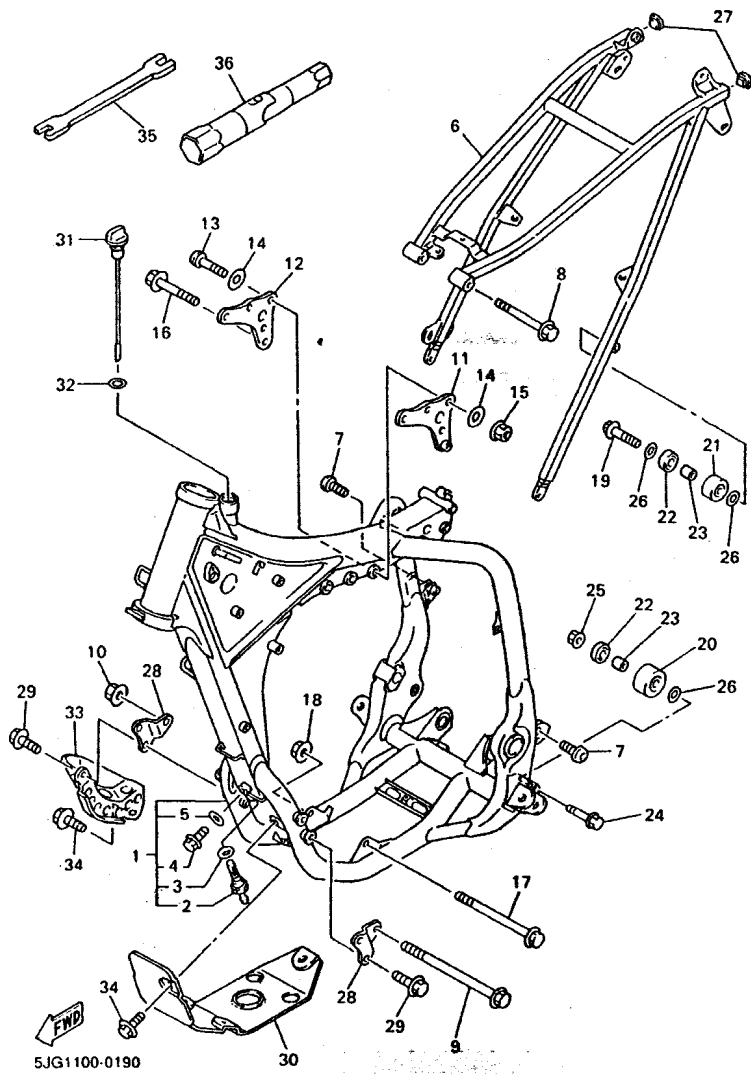


FIG. 19 FRAME

REF. NO.	PART NO.	DESCRIPTION	5JG1	5JG2	5JG3	5JG4	REMARKS
1	5JG-21110-00-P0	FRAME COMP.	1	1	1	1	DPBMC
2	5BE-21756-00	.NET, FILTER	1	1	1	1	
3	90430-18130	.GASKET	1	1	1	1	
4	95827-08012	.BOLT, FLANGE	1	1	1	1	
5	90430-08119	.GASKET	1	1	1	1	
6	5JG-21190-00-P0	REAR FRAME COMP.	1	1	1	1	DPBMC
7	90110-08096	BOLT, HEXAGON SOCKET HEAD	2	2	2	2	
8	90105-08099	BOLT, WASHER BASED	1	1	1	1	
9	95817-10160	BOLT, FLANGE	1	1	1	1	
10	95607-10200	NUT, SELF-LOCKING	1	1	1	1	
11	5GR-21425-01	BRACKET, REAR UPPER 1	1	1	1	1	
12	5BE-21425-01	BRACKET, REAR UPPER 1	1	1	1	1	
13	92017-08055	BOLT, BUTTON HEAD	3	3	3	3	
14	90201-086P8	WASHER, PLATE	6	6	6	6	
15	90185-08169	NUT, SELF-LOCKING	3	3	3	3	
16	95817-10050	BOLT, FLANGE	1	1	1	1	
17	90105-10733	BOLT, WASHER BASED	1	1	1	1	
18	95607-10200	NUT, SELF-LOCKING	1	1	1	1	
19	95027-08040	BOLT, FLANGE	1	1	1	1	
20	3JD-22178-10	TENSIONER	1	1	1	1	
21	4EW-22178-00	TENSIONER	1	1	1	1	
22	93300-60804	BEARING	2	2	2	2	
23	90387-086N4	COLLAR	2	2	2	2	
24	95027-08065	BOLT, FLANGE	1	1	1	1	
25	95707-08500	NUT, FLANGE	1	1	1	1	
26	90201-086P8	WASHER, PLATE	3	3	3	3	
27	90338-16148	PLUG	2	2	2	2	

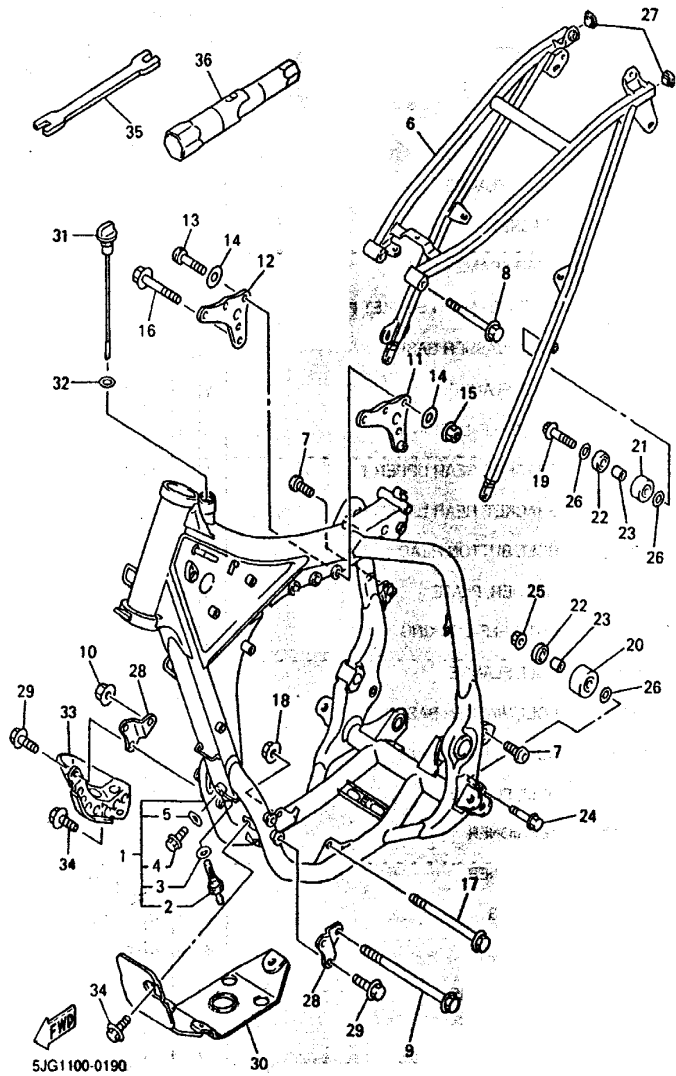
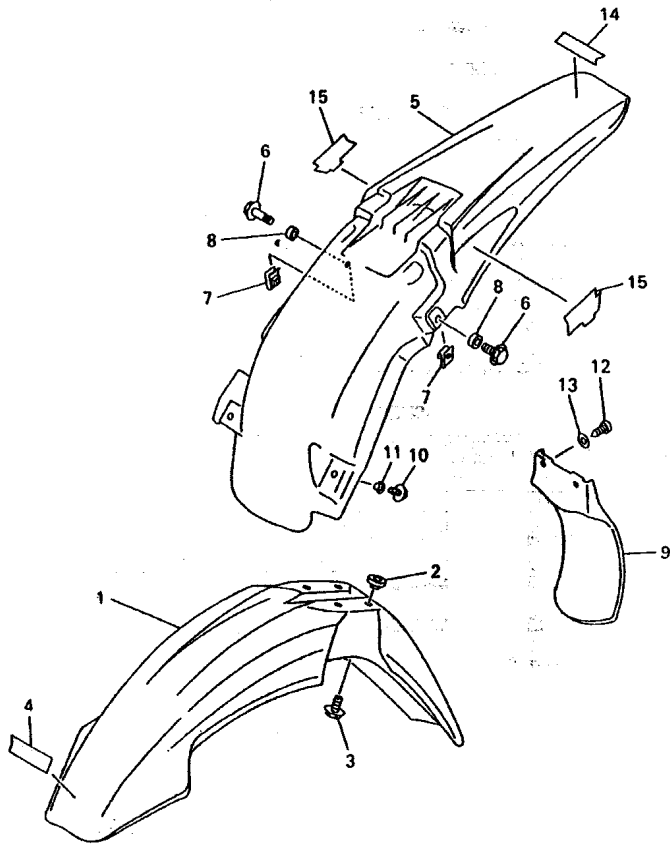


FIG. 19 FRAME

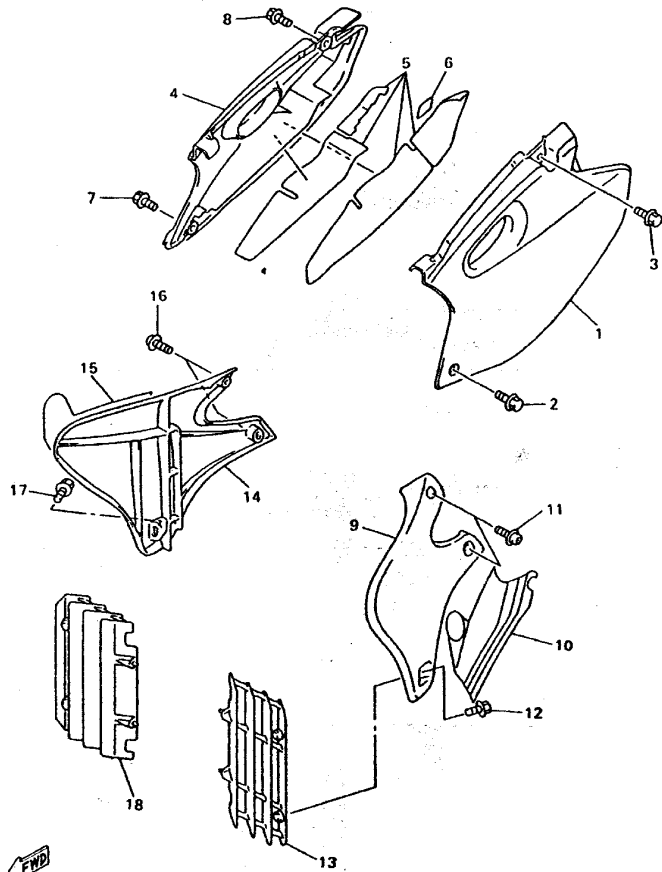
REF. NO.	PART NO.	DESCRIPTION	5JG1	5JG2	5JG3	5JG4	REMARKS
28	5BE-21417-00	BRACKET, FRONT LOWER 1	2	2	2	2	
29	95827-08016	BOLT, FLANGE	4	4	4	4	
30	5BE-21471-00	PROTECTOR, ENGINE	1	1	1	1	
31	5BE-15362-00	PLUG, OIL LEVEL	1	1	1	1	
32	93210-19123	O-RING	1	1	1	1	
33	5BE-2147A-00	GUARD, ENGINE 1	1	1	1	1	
34	95027-08012	BOLT, FLANGE	5	5	5	5	
35	5ET-28166-00	WRENCH, HEXAGON	1	1	1	1	
36	5BE-2814F-00	BOX, SPARK PLUG	1	1	1	1	

FIG. 20 FENDER



REF. NO.	PART NO.	DESCRIPTION					REMARKS
			5JG1	5JG2	5JG3	5JG4	
1	5HD-21511-00	FENDER, FRONT	1	1	1	1	
2	3JD-21748-00	COLLAR	4	4	4	4	
3	90119-06096	BOLT, WITH WASHER	4	4	4	4	
4	99241-00080	EMBLEM, YAMAHA	1	1	1	1	
5	5BE-21611-10	FENDER, REAR	1	1	1	1	
6	90105-06553	BOLT, WASHER BASED	2	2	2	2	
7	90183-06023	NUT, SPRING	2	2	2	2	
8	90387-0701A	COLLAR	2	2	2	2	
9	5BE-21642-00	GUARD, FLAP	1	1	1	1	
10	90105-06690	BOLT, WASHER BASED	2	2	2	2	
11	90387-06009	COLLAR	2	2	2	2	
12	97707-60016	SCREW, TAPPING	2	2	2	2	
13	90201-06557	WASHER, PLATE	2	2	2	2	
14	99241-00080	EMBLEM, YAMAHA	1	1	1	1	EXCEPT FOR CAN
15	5JG-2163G-00	EMBLEM 1	2	2	2	2	

FWD
5JG1100-0200

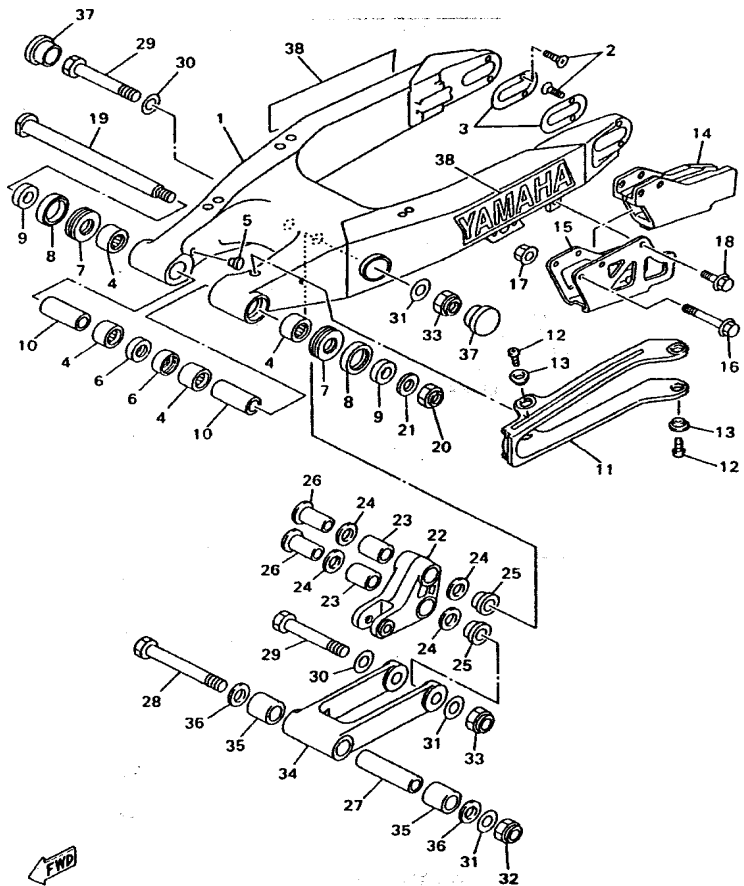


5JG1100-0210

FIG. 21 SIDE COVER

REF. NO.	PART NO.	DESCRIPTION	5JG1	5JG2	5JG3	5JG4	REMARKS
1	5BE-21711-00	COVER, SIDE 1	1	1	1	1	
2	95827-06016	BOLT, FLANGE	1	1	1	1	
3	90119-08238	BOLT, WITH WASHER	1	1	1	1	
4	5BE-21721-00	COVER, SIDE 2	1	1	1	1	
5	5BE-2174A-00	INSULATOR, SIDE COVER	1	1	1	1	
6	3FY-21575-01	SEAL 1	1	1	1	1	
7	95827-06016	BOLT, FLANGE	1	1	1	1	
8	90119-08238	BOLT, WITH WASHER	1	1	1	1	
9	5JG-21731-00	COVER, SIDE 3	1	1	1	1	
10	5JG-2173E-00	GRAPHIC 1	1	1	1	1	
11	90159-06182	SCREW, WITH WASHER	2	2	2	2	
12	90159-06078	SCREW, WITH WASHER	1	1	1	1	
13	5JG-2172A-00	PANEL 1	1	1	1	1	
14	5JG-21741-00	COVER, SIDE 4	1	1	1	1	
15	5JG-2173F-00	GRAPHIC 2	1	1	1	1	
16	90159-06182	SCREW, WITH WASHER	2	2	2	2	
17	90159-06078	SCREW, WITH WASHER	1	1	1	1	
18	5JG-2172A-00	PANEL 1	1	1	1	1	

D2

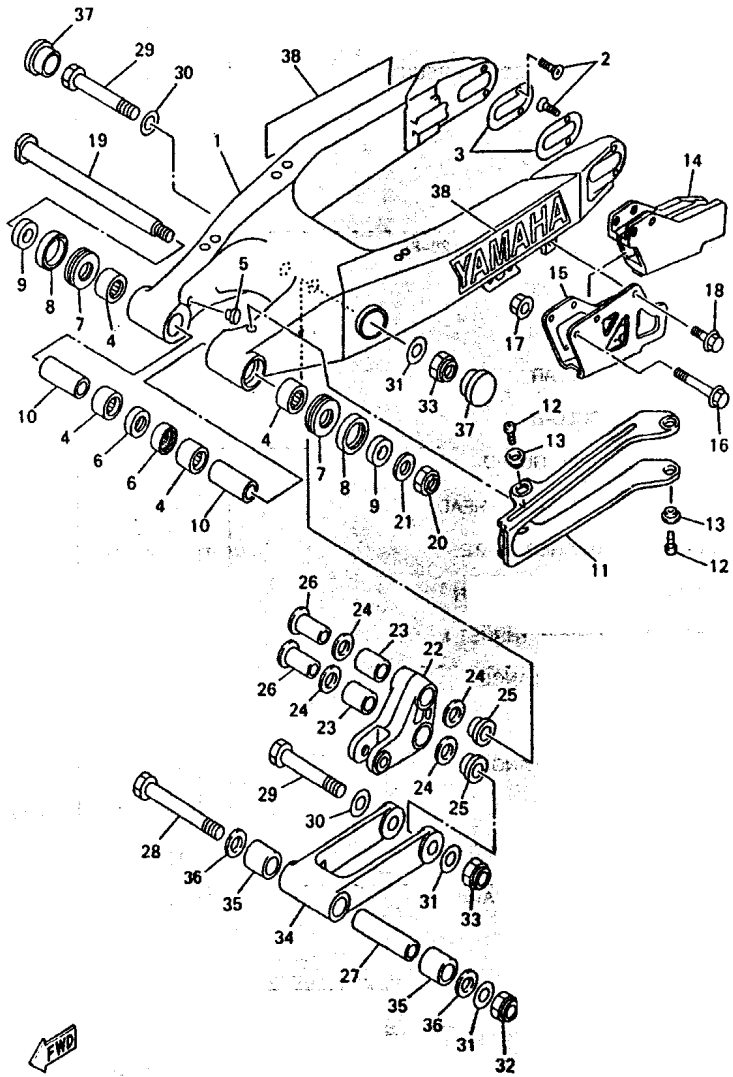


5JG1100-0220

FIG. 22 REAR ARM

REF. NO.	PART NO.	DESCRIPTION					REMARKS
			5JG1	5JG2	5JG3	5JG4	
1	5CU-22110-00	REAR ARM COMP.	1	1	1	1	
2	90151-04048	SCREW, COUNTERSUNK	4	4	4	4	
3	5ET-22355-00	PATCH	2	2	2	2	
4	93317-22262	BEARING	4	4	4	4	
5	90338-16148	PLUG	2	2	2	2	
6	93106-22019	OIL SEAL (DC 22-28-8)	2	2	2	2	
7	93342-22217	BEARING	2	2	2	2	
8	93109-28043	OIL SEAL	2	2	2	2	
9	90387-1714R	COLLAR	2	2	2	2	
10	90387-1714S	COLLAR	2	2	2	2	
11	5JG-22151-00	SEAL, GUARD	1	1	1	1	
12	98507-05008	SCREW, PAN HEAD	4	4	4	4	
13	5JG-22156-00	WASHER, PLATE	4	4	4	4	
14	4XM-22199-00	SUPPORT, CHAIN	1	1	1	1	
15	4XM-22128-00	COVER, THRUST 1	1	1	1	1	
16	95027-06050	BOLT, FLANGE	2	2	2	2	
17	90179-06568	NUT	2	2	2	2	
18	95027-06010	BOLT, FLANGE	1	1	1	1	
19	5DH-22141-00	SHAFT, PIVOT	1	1	1	1	
20	90185-16127	NUT, SELF-LOCKING	1	1	1	1	
21	90201-164H4	WASHER, PLATE	1	1	1	1	
22	5ET-2217A-00	ARM, RELAY	1	1	1	1	
23	93315-32056	BEARING	2	2	2	2	
24	93109-20076	OIL SEAL	4	4	4	4	
25	90387-164N2	COLLAR	2	2	2	2	
26	90387-164N3	COLLAR	2	2	2	2	
27	90387-167Y9	COLLAR	1	1	1	1	

D3



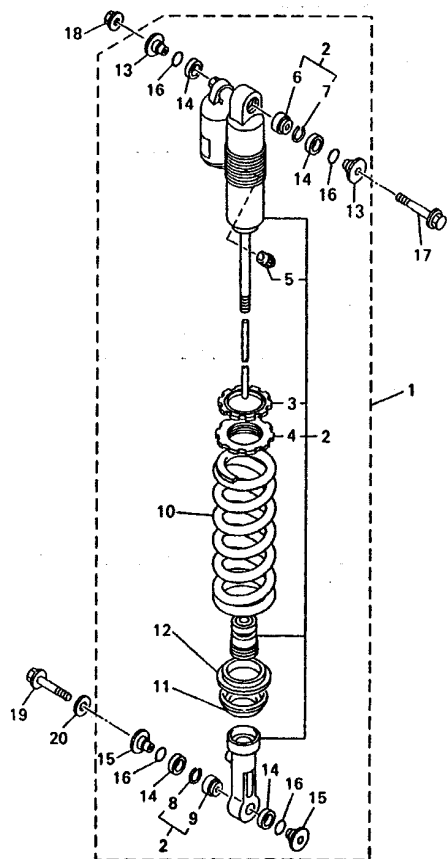
5JG1100-0220

FIG. 22 REAR ARM

REF. NO.	PART NO.	DESCRIPTION	5JG1	5JG2	5JG3	5JG4	REMARKS
28	90109-147F2	BOLT	1	1	1	1	
29	90109-142F4	BOLT	2	2	2	2	
30	90201-164H4	WASHER, PLATE	2	2	2	2	
31	90201-14740	WASHER, PLATE	3	3	3	3	
32	90185-14112	NUT, SELF-LOCKING	1	1	1	1	
33	95617-14100	NUT, U	2	2	2	2	
34	5DH-2217F-01	ROD, CONNECTING 1	1	1	1	1	
35	93315-32056	BEARING	2	2	2	2	
36	93109-20076	OIL SEAL	2	2	2	2	
37	5HD-2135F-00	COVER	2	2	2	2	
38	99244-00200	EMBLEM, YAMAHA	2	2	2	2	

D4

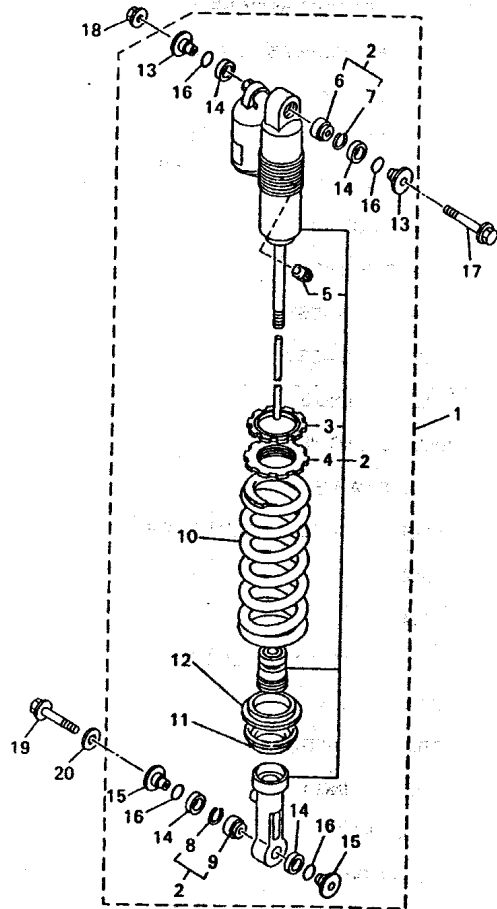
FIG. 23 REAR SUSPENSION



REF. NO.	PART NO.	DESCRIPTION	5/G1	5/G2	5/G3	5/G4	REMARKS
1	5JG-22210-00	SHOCK ABSORBER ASSY, REAR	1				
	5JG-22210-10	SHOCK ABSORBER ASSY, REAR		1			
	5JG-22210-20	SHOCK ABSORBER ASSY, REAR			1		
	5JG-22210-30	SHOCK ABSORBER ASSY, REAR				1	UR FOR CAN
	5JG-22210-40	SHOCK ABSORBER ASSY, REAR				1	UR
2	5JG-22201-00	.DAMPER SUB ASSY	1				
	5JG-22201-10	.DAMPER SUB ASSY		1			
	5JG-22201-20	.DAMPER SUB ASSY			1		
	5JG-22201-30	.DAMPER SUB ASSY				1	UR FOR CAN
	5JG-22201-40	.DAMPER SUB ASSY				1	UR
3	3SP-22234-00	.GUIDE, SPRING 3	1	1	1	1	
4	3SP-22213-00	.SEAT, SPRING UPPER	1	1	1	1	
5	509-23184-L0	.CAP, AIR VALVE	1	1	1	1	
6	4JX-22226-00	.BUSH, SHOCK ABSORBER LOWER	1	1	1	1	
7	5DH-23183-00	.CIRCLIP	1	1	1	1	
8	5DH-23183-00	.CIRCLIP	1	1	1	1	
9	4JX-22226-00	.BUSH, SHOCK ABSORBER LOWER	1	1	1	1	
10	5DH-22212-50	.SPRING (K=5.4)	1		1	1	
	5ET-22212-40	.SPRING (K=APPROX.5.4)			1		
11	5DH-22214-00	.GUIDE, SPRING 1	1	1	1	1	
12	5DH-22224-00	.GUIDE, SPRING 2	1	1	1	1	
13	5DH-22253-00	.COLLAR, DISTANCE	2	2	2	2	
14	3JE-22475-00	.SEAL, DUST	4	4	4	4	
15	4EW-22253-00	.COLLAR, DISTANCE	2	2	2	2	
16	4EW-22474-00	.SEAL, RING	4	4	4	4	
17	90105-10323	BOLT, WASHER BASED	1	1	1	1	
18	95607-10200	NUT, SELF-LOCKING	1	1	1	1	

D5

FIG. 23 REAR SUSPENSION



5GR100-9230

REF. NO.	PART NO.	DESCRIPTION	S/J1	S/J2	S/J3	S/J4	REMARKS
19	90105-105A2	BOLT, WASHER BASED	1	1	1	1	
20	90201-112U6	WASHER, PLATE	1	1	1	1	

D6

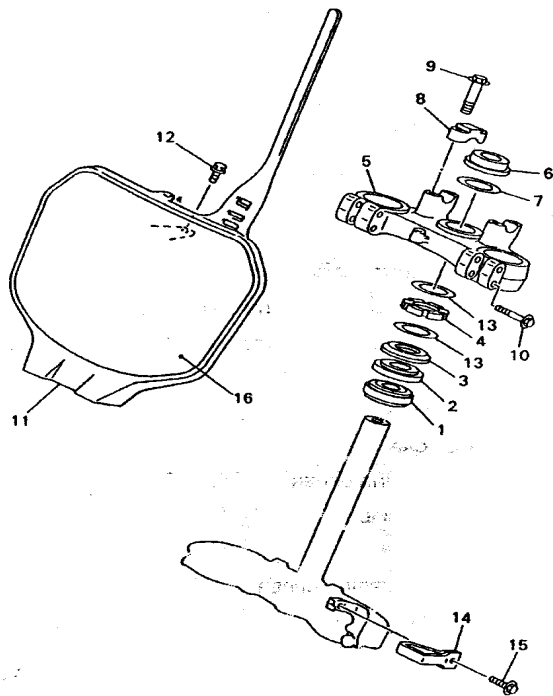
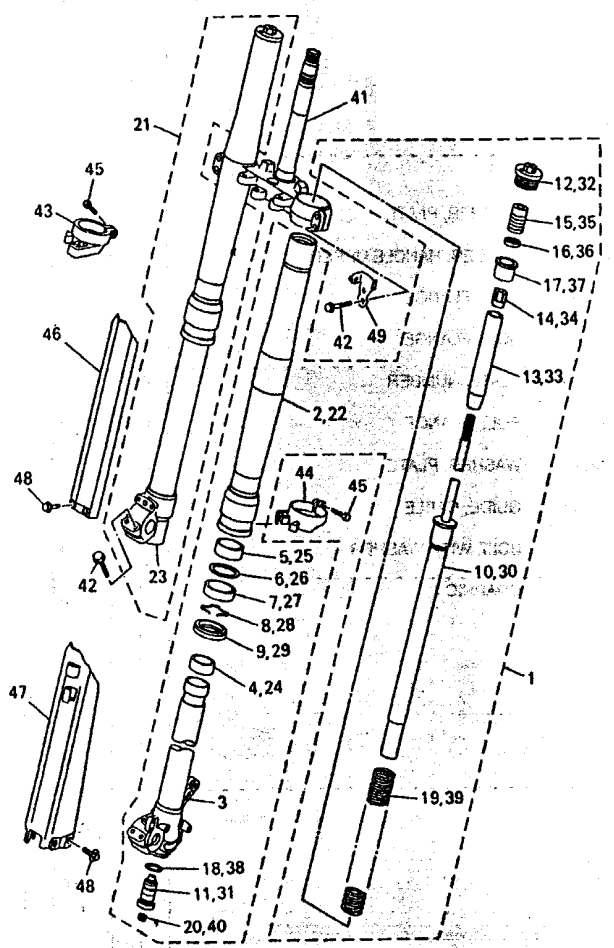


FIG. 24 STEERING

REF. NO.	PART NO.	DESCRIPTION					REMARKS
			5JG1	5JG2	5JG3	5JG4	
1	93332-00081	BEARING	1	1	1	1	
2	93332-00068	BEARING	1	1	1	1	
3	4EW-23416-00	COVER, BALL RACE 2	1	1	1	1	
4	90179-28650	NUT	1	1	1	1	
5	5HC-23435-10	CROWN, HANDLE	1	1	1	1	
6	90170-24373	NUT	1	1	1	1	
7	90201-247L2	WASHER, PLATE	1	1	1	1	
8	3SP-23441-00	HOLDER, HANDLE UPPER	2	2	2	2	
9	95027-08035	BOLT, FLANGE	4	4	4	4	
10	95027-08040	BOLT, FLANGE	4	4	4	4	
11	5HD-23485-00	PLATE, NUMBER	1	1	1	1	
12	95027-06014	BOLT, FLANGE	1	1	1	1	
13	90201-286K9	WASHER, PLATE	2	2	2	2	
14	4DA-23389-00	GUIDE, CABLE	1	1	1	1	
15	90119-05071	BOLT, WITH WASHER	1	1	1	1	
16	5HD-2339E-00	GRAPHIC 1	1	1	1	1	


 5JG1100-0240

D7



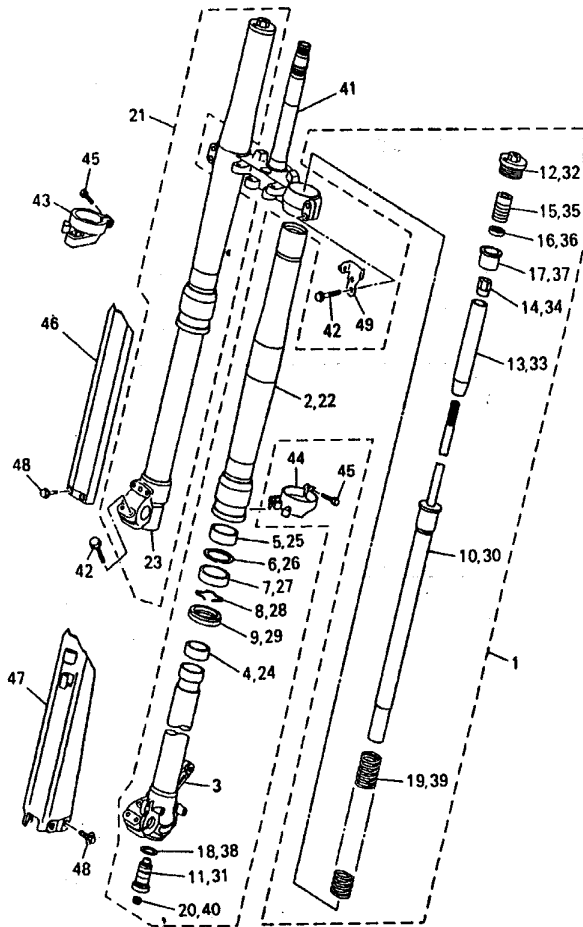
5JG1100-0250

FIG. 25 FRONT FORK

REF. NO.	PART NO.	DESCRIPTION	5JG1	5JG2	5JG3	5JG4	REMARKS
1	5JG-23102-L0	FRONT FORK ASSY (L.H)	1		1	1	
	5JG-23102-M0	FRONT FORK ASSY (L.H)		1			
2	5HD-23136-L0	.TUBE, OUTER (RIGHT)	1	1	1	1	
3	5DH-23120-L0	.INNER TUBE COMP.2	1	1	1	1	
4	5ET-23171-L0	.PISTON, FRONT FORK	1	1	1	1	
5	5ET-23125-L0	.METAL, SLIDE 1	1	1	1	1	
6	4SS-23146-L0	.WASHER, OIL SEAL	1	1	1	1	
7	5ET-23145-L0	.OIL SEAL	1	1	1	1	
8	4SS-23153-L0	.RING, SNAP	1	1	1	1	
9	5HD-23144-L0	.SEAL, DUST	1	1	1	1	
10	5JG-23170-L0	.CYLINDER COMP., FRONT FORK	1		1	1	
	5JG-23170-M0	.CYLINDER COMP., FRONT FORK		1			
11	5JG-2316A-L0	.VALVE COMP.	1		1	1	
	5JG-2316A-M0	.VALVE COMP.		1			
12	5HD-23111-L0	.BOLT, CAP	1	1	1	1	
13	5DH-23142-L0	.SEAT, SPRING UPPER	1	1	1	1	
14	5HD-23393-L0	.NUT, SPECIAL	1	1	1	1	
15	5DH-23195-L0	.RUBBER	1	1	1	1	
16	5DH-23149-L0	.WASHER, SPRING UPPER	1	1	1	1	
17	5DH-23118-L0	.SPACER	1	1	1	1	
18	4SS-23158-L0	.GASKET	1	1	1	1	
19	5GR-23141-L0	.SPRING, FRONT FORK (K=0.46)	1		1	1	
	5BE-23141-L0	.SPRING, FRONT FORK (K=0.45)		1			
20	3JD-2312G-L0	.PLUG	1	1	1	1	
21	5JG-23103-L0	FRONT FORK ASSY (R.H)	1		1	1	
	5JG-23103-M0	FRONT FORK ASSY (R.H)		1			
22	5HD-23136-L0	.TUBE, OUTER (RIGHT)	1	1	1	1	

D8

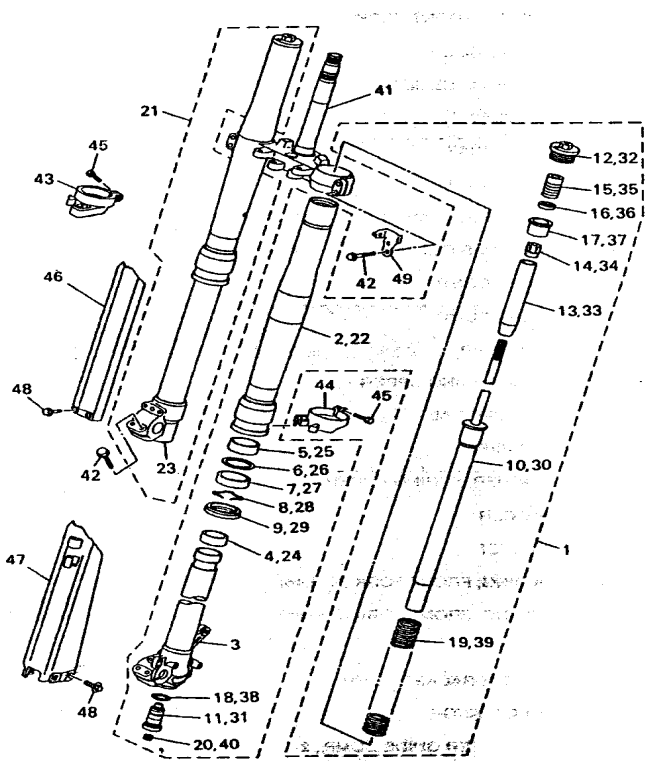
FIG. 25 FRONT FORK



REF. NO.	PART NO.	DESCRIPTION	SUG1	SUG2	SUG3	SUG4	REMARKS
23	5BF-23110-L0	.INNER TUBE COMP.1	1	1	1	1	
24	5ET-23171-L0	.PISTON, FRONT FORK	1	1	1	1	
25	5ET-23125-L0	.METAL, SLIDE 1	1	1	1	1	
26	4SS-23146-L0	.WASHER, OIL SEAL	1	1	1	1	
27	5ET-23145-L0	.OIL SEAL	1	1	1	1	
28	4SS-23153-L0	.RING, SNAP	1	1	1	1	
29	5HD-23144-L0	.SEAL, DUST	1	1	1	1	
30	5JG-23170-L0	.CYLINDER COMP., FRONT FORK	1		1	1	
	5JG-23170-M0	.CYLINDER COMP., FRONT FORK		1			
31	5JG-2316A-L0	.VALVE COMP.	1		1	1	
	5JG-2316A-M0	.VALVE COMP.		1			
32	5HD-23111-L0	.BOLT, CAP	1	1	1	1	
33	5DH-23142-L0	.SEAT, SPRING UPPER	1	1	1	1	
34	5HD-23393-L0	.NUT, SPECIAL	1	1	1	1	
35	5DH-23195-L0	.RUBBER	1	1	1	1	
36	5DH-23149-L0	.WASHER, SPRING UPPER	1	1	1	1	
37	5DH-23118-L0	.SPACER	1	1	1	1	
38	4SS-23158-L0	.GASKET	1	1	1	1	
39	5GR-23141-L0	.SPRING, FRONT FORK (K=0.46)	1		1	1	
	5BE-23141-L0	.SPRING, FRONT FORK (K=0.45)		1			
40	3JD-2312G-L0	.PLUG	1	1	1	1	
41	5HC-23340-L0	UNDER BRACKET COMP.	1	1	1	1	
42	95021-08040	BOLT, FLANGE	8	8	8	8	
43	4SS-2314G-L0	PROTECTOR GUIDE COMP., 2	1	1	1	1	
44	5DH-2314F-L0	PROTECTOR GUIDE COMP., 1	1	1	1	1	
45	4SS-23346-L0	BOLT 1	2	2	2	2	
46	5DH-2314J-00	PROTECTOR COMP., 2	1	1	1	1	

FWD
5JG1100-0250

D9



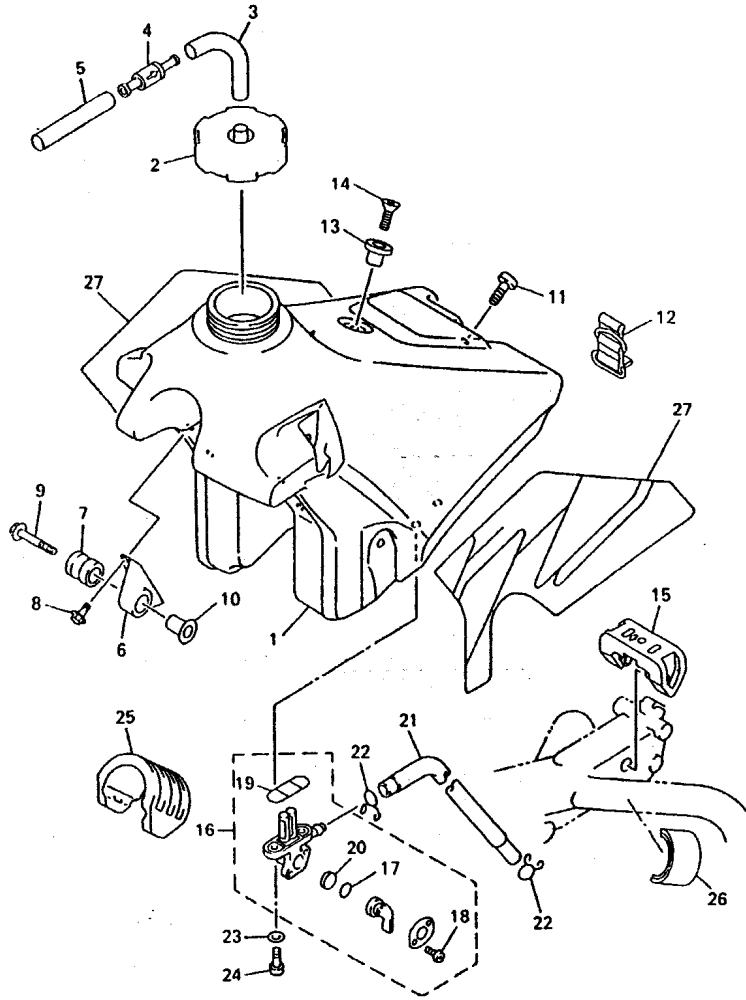
5JG1100-0250

FIG. 25 FRONT FORK

REF. NO.	PART NO.	DESCRIPTION					REMARKS
			5JG1	5JG2	5JG3	5JG4	
47	5DH-2314H-00	PROTECTOR COMP., 1	1	1	1	1	
48	3SP-23356-L0	BOLT 2	6	6	6	6	
49	5HC-2331E-00	GUIDE, CABLE	1	1	1	1	

D10

FIG. 26 FUEL TANK

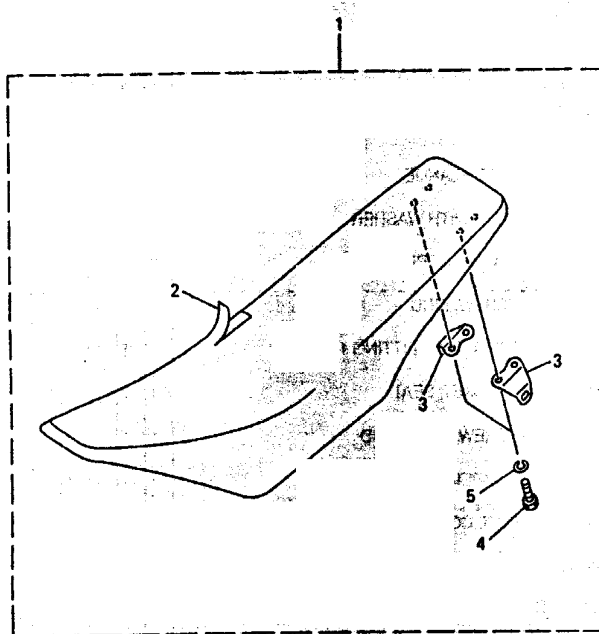


FWD
5JG1100-0260

REF. NO.	PART NO.	DESCRIPTION	5JG1	5JG2	5JG3	5JG4	REMARKS
1	5GR-24110-10	FUEL TANK COMP.	1	1	1	1	
2	1UY-24610-00	CAP ASSY	1	1	1	1	
3	90445-09220	HOSE	1	1	1	1	
4	3XJ-24380-00	PIPE JOINT ASSY	1	1	1	1	
5	90445-09100	HOSE	1	1	1	1	
6	24X-24144-00	HOLDER, DAMPER	2	2	2	2	
7	90480-18549	GROMMET	2	2	2	2	
8	95027-06016	BOLT, FLANGE	4	4	4	4	
9	90119-06214	BOLT, WITH WASHER	2	2	2	2	
10	3JD-24186-00	WASHER, SPECIAL	2	2	2	2	
11	98907-06020	SCREW, BIND	1	1	1	1	
12	3SP-24173-00	BAND, TANK FITTING 1	1	1	1	1	
13	4EW-2412F-00	BRACKET, SEAT	1	1	1	1	
14	98707-06025	SCREW, FLAT HEAD	1	1	1	1	
15	4SS-24181-00	DAMPER, LOCATING 1	1	1	1	1	
16	4DP-24500-00	FUEL COCK ASSY 1	1	1	1	1	
17	3AJ-24534-00	.SEAL, COCK	1	1	1	1	
18	97801-03008	.SCREW, PAN HEAD	2	2	2	2	
19	4X8-24512-00	.O-RING	1	1	1	1	
20	3AJ-24523-00	.VALVE PACKING	1	1	1	1	
21	90445-11002	HOSE	1	1	1	1	
22	90467-10008	CLIP	2	2	2	2	
23	90202-05193	WASHER, PLATE	2	2	2	2	
24	90149-06011	SCREW	2	2	2	2	
25	5BE-24182-00	DAMPER, LOCATING 2	1	1	1	1	
26	3V6-22358-00	.SEAL 1	2	2	2	2	
27	5JG-24240-00	GRAPHIC SET	1	1	1	1	

D11

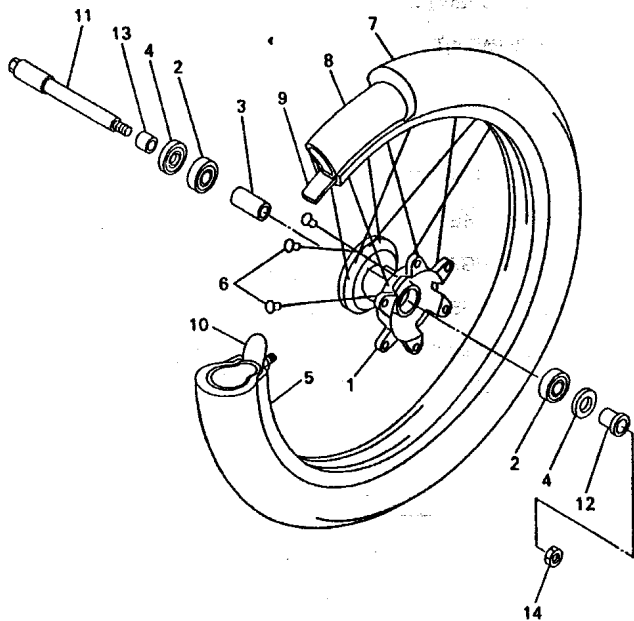
FIG. 27 SEAT



REF. NO.	PART NO.	DESCRIPTION	SJG1	SJG2	SJG3	SJG4	REMARKS
1	5GR-24710-10	SINGLE SEAT ASSY	1	1	1	1	
2	5GR-24731-10	.COVER, SEAT	1	1	1	1	
3	5BE-24728-00	.BRACKET, SEAT	2	2	2	2	
4	97007-06012	.BOLT	4	4	4	4	
5	92907-06100	.WASHER, SPRING	4	4	4	4	


5BE100-8270

FIG. 28 FRONT WHEEL

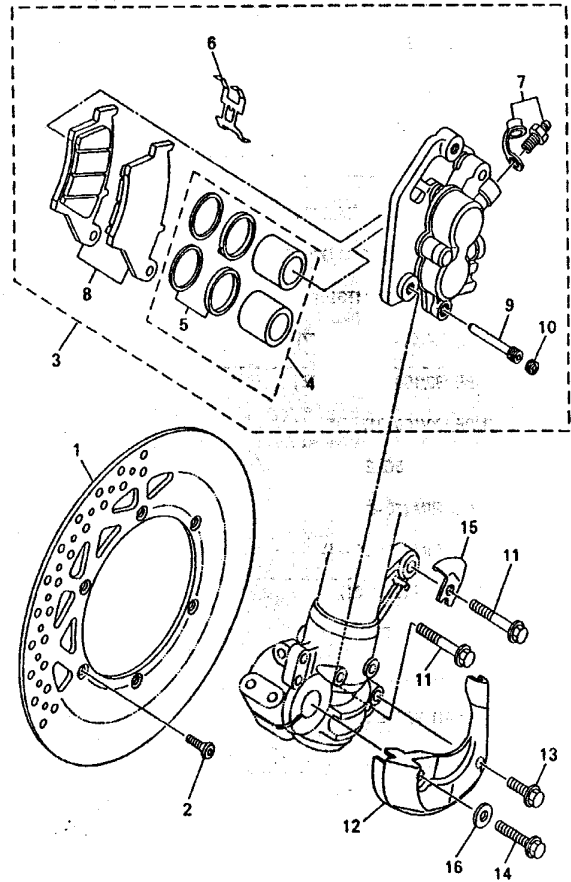


REF. NO.	PART NO.	DESCRIPTION					REMARKS
			SJG1	SJG2	SJG3	SJG4	
1	4SS-25111-00	HUB, FRONT	1	1	1	1	
2	93306-90403	BEARING	2	2	2	2	
3	5DH-25117-00	SPACER, BEARING	1	1	1	1	
4	93102-26468	OIL SEAL	2	2	2	2	
5	94416-21613	RIM (1.60-21)	1	1	1	1	
6	4DA-25104-00	SPOKE SET, FRONT	1	1	1	1	
7	94108-21008	TIRE (80/100-21 51M D739F)	1			1	DUNLOP
	94108-2112Y	TIRE (80/100-21 51M D755F)		1		1	DUNLOP FOR FRA, CAN
	*	TIRE (80/100-21 MT320)		1			LM PIRELLI
	94108-2110Y	TIRE (80/100-21 51M M77)			1		BRIDGESTONE
8	94227-21101	TUBE (80/100-21 TR4 BTL)	1	1		1	DUNLOP FOR FRA
	*	TUBE (80/100-21)		1			LM PIRELLI
	94209-21229	TUBE (80/100C-21 TR4)			1		BRIDGESTONE
9	94309-21161	BAND, RIM (70-80/100-21)	1	1		1	DUNLOP FOR FRA
	*	BAND, RIM (80/100-21)		1			LM PIRELLI
	94330-21084	BAND, RIM (3.00-21)				1	BRIDGESTONE
10	2J5-25394-01	SPACER, BEAD	1	1	1	1	
11	5BE-25181-00	AXLE, WHEEL	1	1	1	1	
12	5DH-25183-00	COLLAR, WHEEL	1	1	1	1	
13	5BE-25186-00	COLLAR, WHEEL	1	1	1	1	
14	90179-16672	NUT	1	1	1	1	



5BE100-8280

FIG. 29 FRONT BRAKE CALIPER



REF. NO.	PART NO.	DESCRIPTION	SJ/G1	SJ/G2	SJ/G3	SJ/G4	REMARKS
1	4XM-2582T-00	DISC, BRAKE	1	1	1	1	
2	90149-06327	SCREW	6	6	6	6	
3	5DH-2580T-00	CALIPER ASSY (LEFT)	1	1	1	1	
4	4EW-W0057-00	.PISTON ASSY, CALIPER	1	1	1	1	
5	3JD-W0047-00	.CALIPER SEAL KIT	1	1	1	1	
6	5DH-25919-00	.SUPPORT, PAD	1	1	1	1	
7	1UY-W0048-50	.BLEED SCREW KIT	1	1	1	1	
8	5DH-W0045-00	.BRAKE PAD KIT	1	1	1	1	
9	5DH-25933-00	.PIN, PAD	1	1	1	1	
10	5DH-25916-00	.PLUG	1	1	1	1	
11	90105-08659	BOLT, WASHER BASED	2	2	2	2	
12	5DH-2314E-00	COVER, HOSE	1	1	1	1	
13	95827-06012	BOLT, FLANGE	1	1	1	1	
14	95027-08020	BOLT, FLANGE	1	1	1	1	
15	5DH-25875-00	HOLDER, BRAKE HOSE 1	1	1	1	1	
16	92907-08200	WASHER	1	1	1	1	

FWD
SBE100-8290

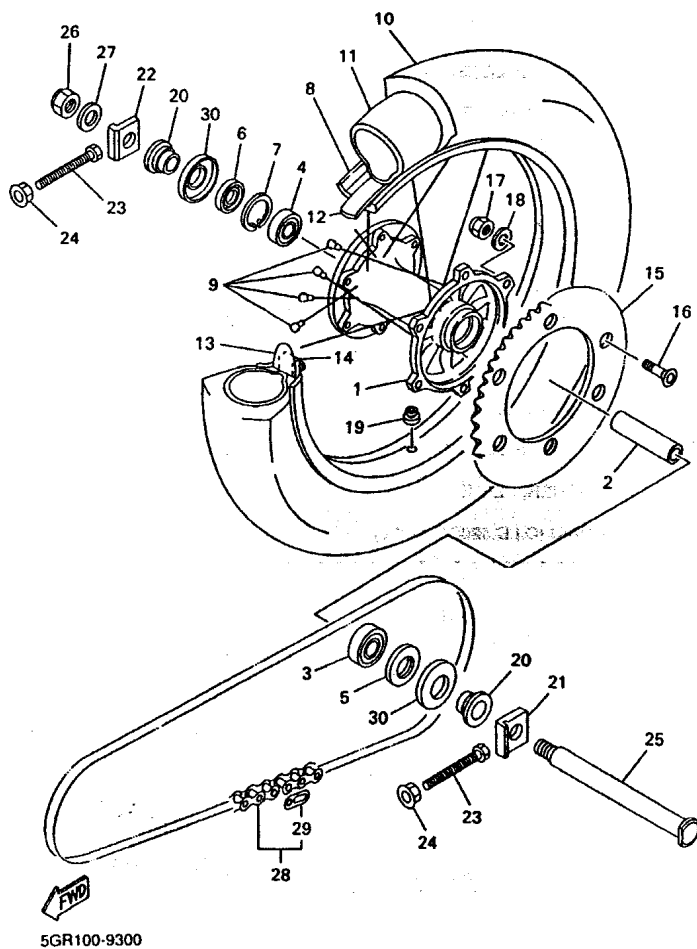
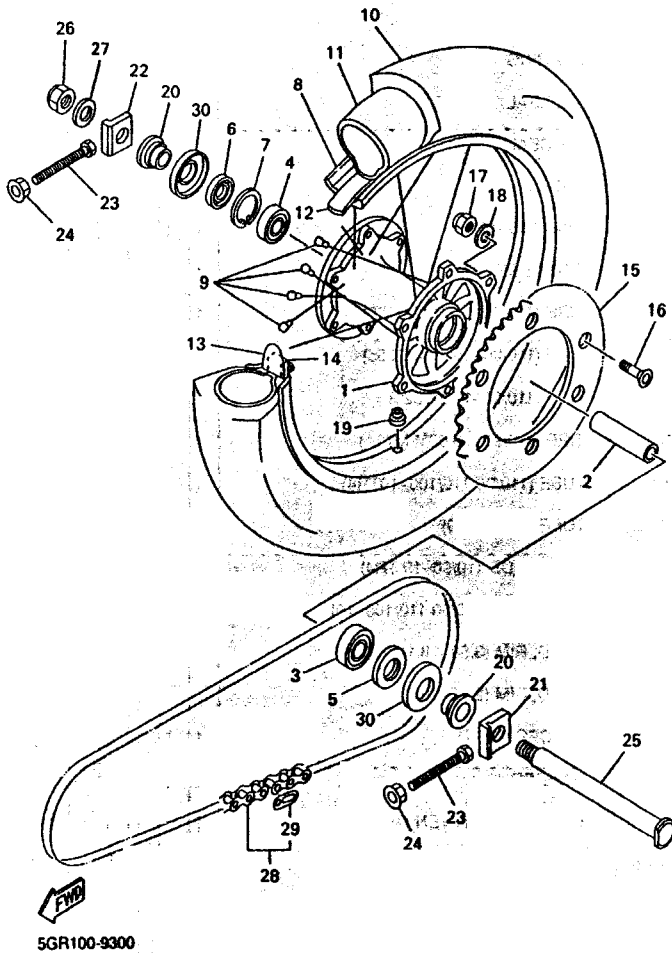


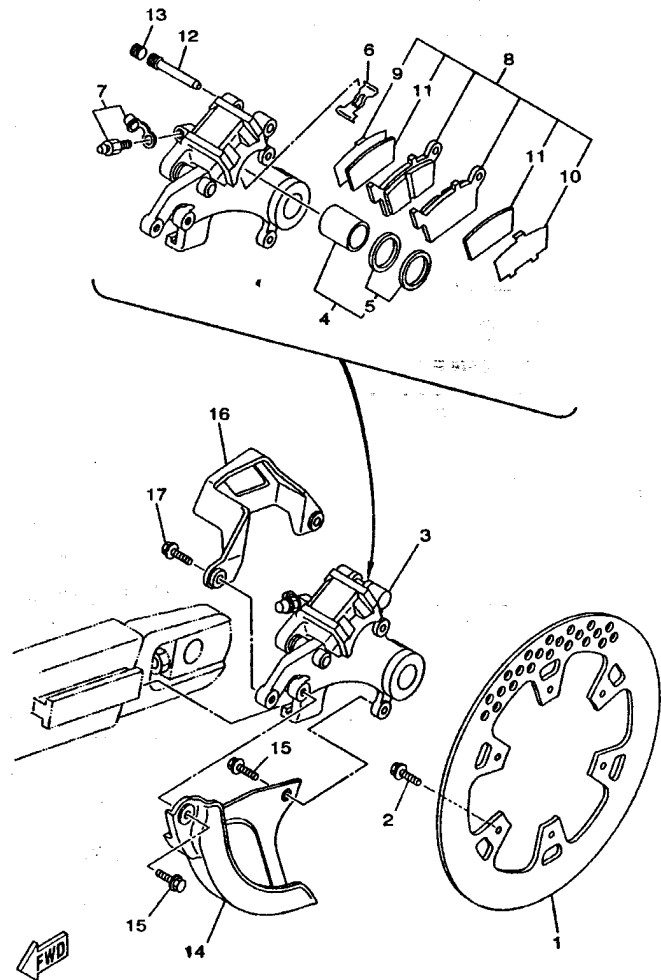
FIG. 30 REAR WHEEL

REF. NO.	PART NO.	DESCRIPTION	SJG1	SJG2	SJG3	SJG4	REMARKS
1	5ET-25311-00	HUB, REAR	1	1	1	1	
2	5ET-25317-00	SPACER, BEARING	1	1	1	1	
3	93306-27205	BEARING	1	1	1	1	
4	93306-07202	BEARING	1	1	1	1	
5	93106-30044	OIL SEAL	1	1	1	1	
6	93106-30045	OIL SEAL	1	1	1	1	
7	99009-45500	CIRCLIP	1	1	1	1	
8	94421-19602	RIM (2.15-19)	1	1	1	1	
9	5HD-25304-00	SPOKE SET, REAR	1	1	1	1	
10	94111-19008	TIRE (110/90-19 62M D739)	1			1	DUNLOP
	94111-1913A	TIRE (110/90-19 62M D755)		1		1	DUNLOP FOR FRA, CAN LM PIRELLI
	*	TIRE (110/90-19 MT320)		1			
	94111-1911B	TIRE (110/90-19 62M M78A)			1		BRIDGESTONE
11	94211-19273	TUBE (110/90 110/100-19TR4)	1	1		1	DUNLOP FOR FRA
	*	TUBE (110/90-19)			1		LM PIRELLI
	94211-19274	TUBE (MCS 110/90-19 TR4)			1		BRIDGESTONE
12	94311-19155	BAND, RIM (110/90 110/100-19)	1	1		1	DUNLOP FOR FRA
	*	BAND, RIM (3.50-18 110/90-19)			1		LM METZELER
	94321-19157	BAND, RIM (2.15-19)			1		BRIDGESTONE
13	3JE-25394-00	SPACER, BEAD	1	1	1	1	
14	4XM-25364-00	DAMPER	1	1	1	1	
15	5ET-25449-00	SPROCKET, DRIVEN (49T)	1		1	1	STD
	5ET-25448-00	SPROCKET, DRIVEN (48T)		1			STD
	5ET-25447-00	SPROCKET, DRIVEN (47T)	1	1	1	1	AP
	5ET-25450-00	SPROCKET, DRIVEN (50T)	1	1	1	1	AP
	5ET-25451-00	SPROCKET, DRIVEN (51T)	1	1	1	1	AP
	5ET-25452-00	SPROCKET, DRIVEN (52T)	1	1	1	1	AP

FIG. 30 REAR WHEEL



REF. NO.	PART NO.	DESCRIPTION	5UG1	5UG2	5UG3	5UG4	REMARKS
15	5ET-25448-00	SPROCKET, DRIVEN (48T)	1		1	1	AP
	5ET-25449-00	SPROCKET, DRIVEN (49T)		1			AP
16	90109-081G1	BOLT	6	6	6	6	
17	90185-08169	NUT, SELF-LOCKING	6	6	6	6	
18	90201-08326	WASHER, PLATE	6	6	6	6	
19	90480-08608	GROMMET	1	1	1	1	
20	5ET-25383-00	COLLAR, WHEEL	2	2	2	2	
21	5ET-25388-00	PULLER, CHAIN 1	1	1	1	1	
22	5ET-25389-00	PULLER, CHAIN 2	1	1	1	1	
23	90101-08777	BOLT	2	2	2	2	
24	90179-08299	NUT	2	2	2	2	
25	5ET-25381-00	AXLE, WHEEL	1	1	1	1	
26	90185-20168	NUT, SELF-LOCKING	1	1	1	1	
27	90201-203U1	WASHER, PLATE	1	1	1	1	
28	94581-68114	CHAIN (D.I.D.520DM 114LL)	1	1	1	1	
29	94681-68001	JOINT, CHAIN	1	1	1	1	
30	5ET-25367-00	COVER, HUB DUST	2	2	2	2	



SET1100-9280

FIG. 31 REAR BRAKE CALIPER

REF. NO.	PART NO.	DESCRIPTION	SUG1	SUG2	SUG3	SUG4	REMARKS
1	5DH-2582W-00	DISC, REAR BRAKE 2	1	1	1	1	
2	90109-065G4	BOLT	6	6	6	6	
3	5GR-2580W-00	CALIPER ASSY, REAR 2	1	1	1	1	
4	5ET-W0057-50	.PISTON ASSY, CALIPER	1	1	1	1	
5	5ET-W0047-50	..CALIPER SEAL KIT	1	1	1	1	
6	5DH-25919-50	..SUPPORT, PAD	1	1	1	1	
7	1UY-W0048-50	..BLEED SCREW KIT	1	1	1	1	
8	5GR-W0046-00	..BRAKE PAD KIT 2	1	1	1	1	
9	5DH-25828-50	..SHIM, CALIPER	1	1	1	1	
10	5DH-25827-50	..SHIM, CALIPER	1	1	1	1	
11	5GR-22898-50	..INSULATOR, HEAT	2	2	2	2	
12	8CR-25924-00	..PIN, PAD	1	1	1	1	
13	5DH-25916-00	..PLUG	1	1	1	1	
14	5DH-25718-01	PROTECTOR, DISK BRAKE	1	1	1	1	
15	95027-06012	BOLT, FLANGE	2	2	2	2	
16	4GY-27491-00	PROTECTOR	1	1	1	1	
17	95027-06016	BOLT, FLANGE	2	2	2	2	

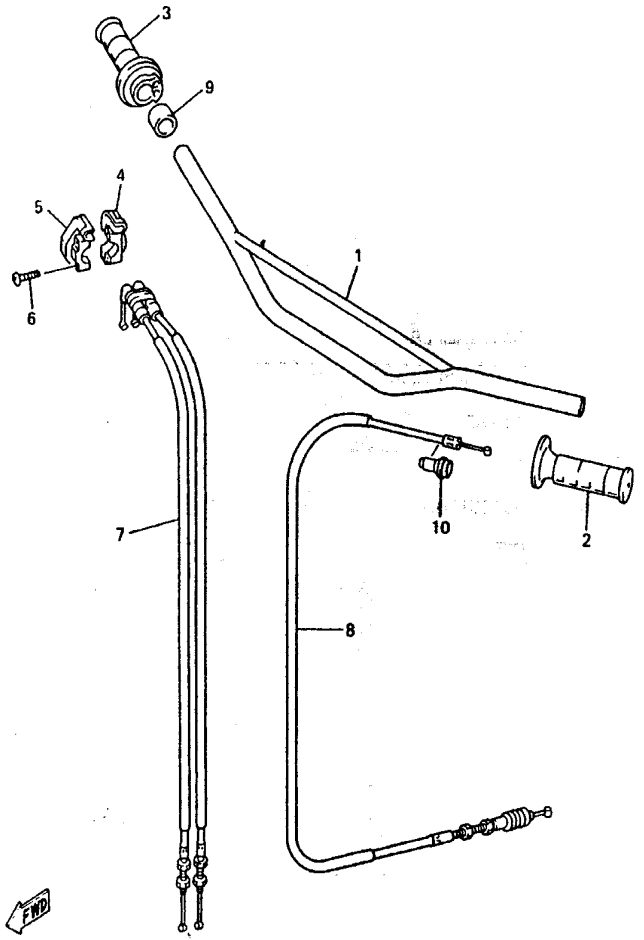
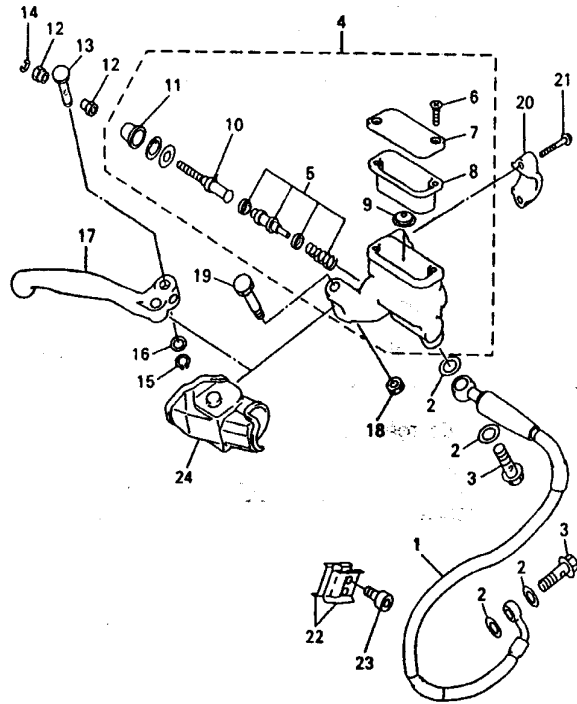


FIG. 32 STEERING HANDLE. CABLE

REF. NO.	PART NO.	DESCRIPTION	SJG1	SJG2	SJG3	SJG4	REMARKS
1	4XM-26111-00	HANDLEBAR	1	1	1	1	
2	4GY-26241-00	GRIP (LEFT)	1	1	1	1	
3	5BE-26240-00	GRIP ASSY	1	1	1	1	
4	5BE-26281-00	CAP, GRIP UPPER	1	1	1	1	
5	5BE-26282-00	CAP, GRIP LOWER	1	1	1	1	
6	98507-05020	SCREW, PAN HEAD	2	2	2	2	
7	5JG-26302-00	THROTTLE CABLE ASSY	1	1	1	1	
8	5JG-26335-00	CABLE, CLUTCH	1	1	1	1	
9	90387-225N2	COLLAR	1	1	1	1	
10	5HD-26342-00	BOOT, CABLE	1	1	1	1	

FIG. 33 FRONT MASTER CYLINDER

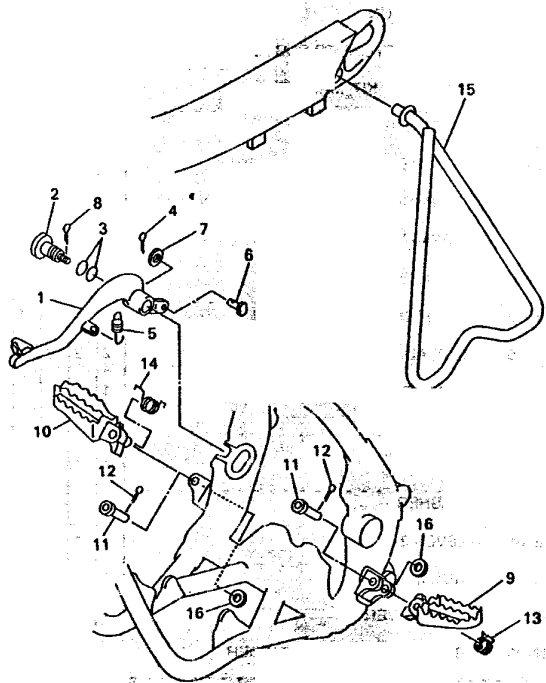


REF. NO.	PART NO.	DESCRIPTION	5JG1	5JG2	5JG3	5JG4	REMARKS
1	5ET-25872-00	HOSE, BRAKE 1	1	1	1	1	
2	90201-10118	WASHER, PLATE	4	4	4	4	
3	90401-10172	BOLT, UNION	2	2	2	2	
4	4SS-W2587-01	MASTER CYLINDER SUB ASSY	1	1	1	1	
5	4SS-W0041-00	.CYLINDER KIT, MASTER	1	1	1	1	
6	98706-04012	.SCREW, FLAT HEAD	2	2	2	2	
7	4SS-25852-00	.CAP, RESERVOIR	1	1	1	1	
8	4SS-25854-00	.DIAPHRAGM, RESERVOIR	1	1	1	1	
9	4SS-25889-00	.SEPARATOR ASSY	1	1	1	1	
10	4SS-25880-00	.PUSH ROD COMP.	1	1	1	1	
11	4SS-25868-00	.BOOT, MASTER CYLINDER	1	1	1	1	
12	4SS-2538E-00	NUT, ADJUSTING	2	2	2	2	
13	4SS-83913-00	COLLAR, LEVER 1	1	1	1	1	
14	3YX-25866-10	CIRCLIP	1	1	1	1	
15	4SS-25866-00	CIRCLIP	1	1	1	1	
16	4SS-2583G-00	WASHER	1	1	1	1	
17	4SS-83922-01	LEVER 2	1	1	1	1	
18	95606-06100	NUT, U	1	1	1	1	
19	4SS-2589F-00	BOLT, LEVER	1	1	1	1	
20	3YK-25867-00	BRACKET, MASTER CYLINDER	1	1	1	1	
21	4SS-25833-00	BOLT, FITTING	2	2	2	2	
22	90465-16258	CLAMP	2	2	2	2	
23	91317-06014	BOLT	2	2	2	2	
24	5JG-26372-00	COVER, HANDLE LEVER 1	1	1	1	1	


5JG1100-0330

E5

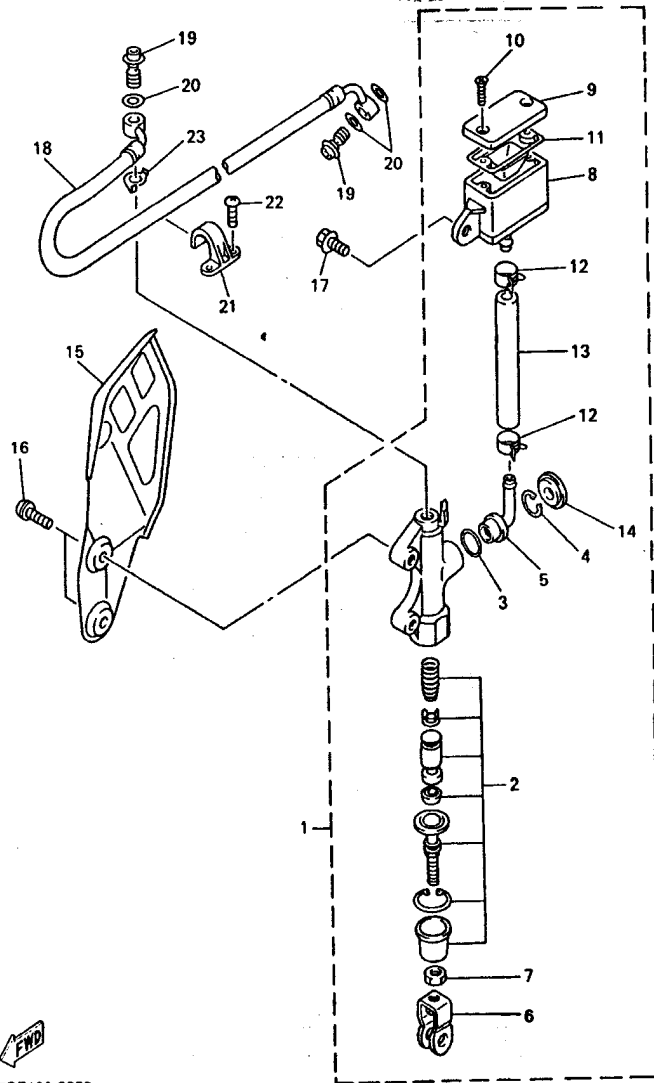
FIG. 34 STAND. FOOTREST



REF. NO.	PART NO.	DESCRIPTION					REMARKS
			5JG1	5JG2	5JG3	5JG4	
1	4XM-27200-00	PEDAL, BRAKE	1	1	1	1	
2	5JG-27217-00	BOLT	1	1	1	1	
3	93210-11073	O-RING	2	2	2	2	
4	91401-20012	PIN, COTTER	1	1	1	1	
5	90506-16500	SPRING, TENSION	1	1	1	1	
6	90240-08120	PIN, CLEVIS	1	1	1	1	
7	90201-08089	WASHER, PLATE	1	1	1	1	
8	90468-16191	CLIP	1	1	1	1	
9	5ET-27411-00	FOOTREST 1	1	1	1	1	
10	5ET-27421-00	FOOTREST 2	1	1	1	1	
11	90240-10142	PIN, CLEVIS	2	2	2	2	
12	91401-25015	PIN, COTTER	2	2	2	2	
13	90508-282B8	SPRING, TORSION	1	1	1	1	
14	90508-282B9	SPRING, TORSION	1	1	1	1	
15	5ET-27311-00	STAND, SIDE	1	1	1	1	
16	90201-10119	WASHER, PLATE	2	2	2	2	

5BE100-8340

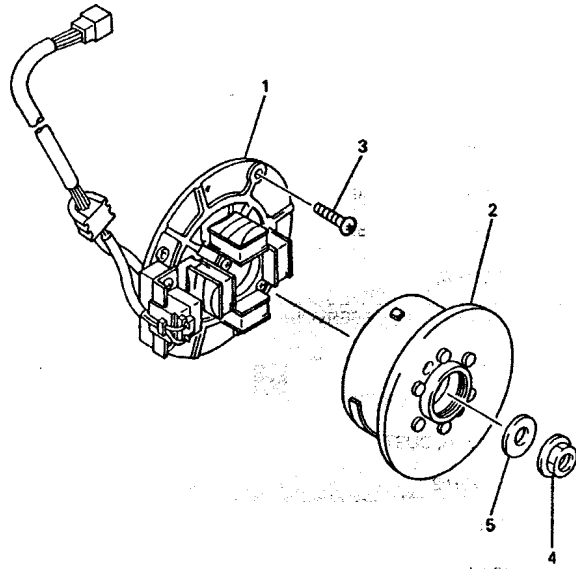
FIG. 35 REAR MASTER CYLINDER



5BE100-8350

REF. NO.	PART NO.	DESCRIPTION	SJG1	SJG2	SJG3	SJG4	REMARKS
1	5JG-2583V-00	RR. MASTER CYLINDER ASSY.	1	1	1	1	
2	4SS-W0042-50	.CYLINDER KIT, MASTER	1	1	1	1	
3	93210-15620	.O-RING	1	1	1	1	
4	2VN-25866-00	.CIRCLIP	1	1	1	1	
5	4ML-2582A-50	.JOINT	1	1	1	1	
6	3SP-27222-00	.JOINT	1	1	1	1	
7	95301-08700	.NUT	2	2	2	2	
8	5BE-25894-00	.TANK, RESERVOIR	1	1	1	1	
9	5BE-25852-00	.CAP, RESERVOIR	1	1	1	1	
10	98706-04040	.SCREW, FLAT HEAD	2	2	2	2	
11	56A-25854-00	.DIAPHRAGM, RESERVOIR	1	1	1	1	
12	90467-12085	.CLIP	2	2	2	2	
13	5BE-25895-00	.HOSE, RESERVOIR	1	1	1	1	
14	3FV-2589A-00	.COVER, DUST	1	1	1	1	
15	5BE-2117M-00	COVER 2	1	1	1	1	
16	92014-06016	BOLT, BUTTON HEAD	2	2	2	2	
17	95027-06012	BOLT, FLANGE	1	1	1	1	
18	5DH-25873-00	HOSE, BRAKE 2	1	1	1	1	
19	90401-10172	BOLT, UNION	2	2	2	2	
20	90201-10118	WASHER, PLATE	3	3	3	3	
21	2VM-25876-00	HOLDER, BRAKE HOSE 2	2	2	2	2	
22	97780-50510	SCREW, TAPPING	4	4	4	4	
23	5BE-25844-00	WASHER, LOCK	1	1	1	1	

FIG. 36 GENERATOR



REF. NO.	PART NO.	DESCRIPTION	5JG1	5JG2	5JG3	5JG4	REMARKS
1	5BE-85560-02	BASE ASSY	1	1	1	1	
2	5JG-85550-00	ROTOR ASSY	1	1	1	1	
3	90149-06324	SCREW	3	3	3	3	
4	90179-10247	NUT	1	1	1	1	
5	90201-101J1	WASHER, PLATE	1	1	1	1	

 5BE100-8360

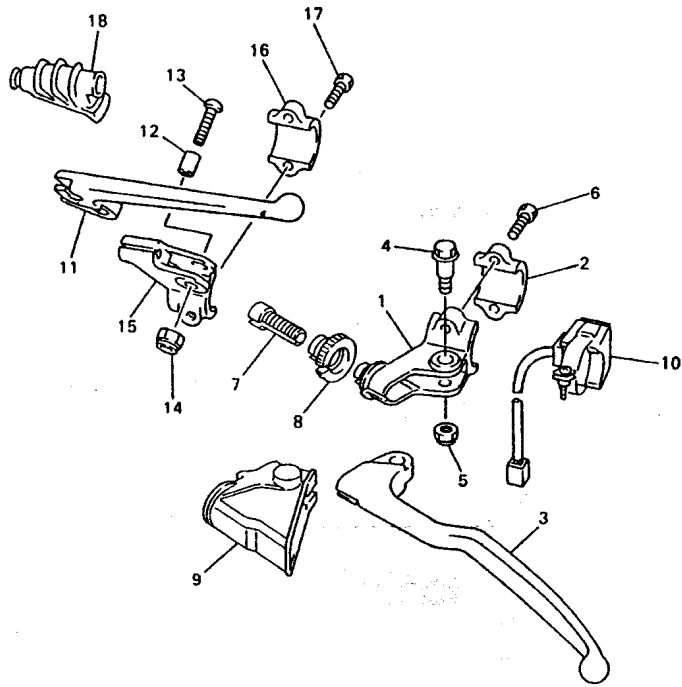
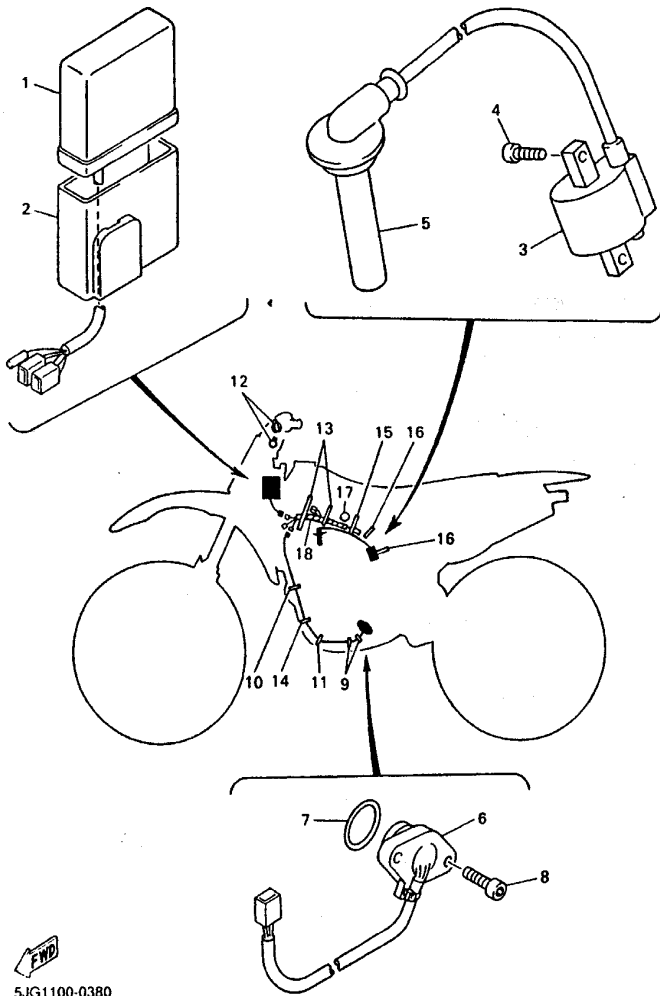


FIG. 37 HANDLE SWITCH. LEVER

REF. NO.	PART NO.	DESCRIPTION	5JG1	5JG2	5JG3	5JG4	REMARKS
1	5HD-82911-00	HOLDER, LEVER 1	1	1	1	1	
2	38V-82913-00	HOLDER, LEVER LOWER 1	1	1	1	1	
3	5HD-83912-00	LEVER 1	1	1	1	1	
4	90109-06027	BOLT	1	1	1	1	
5	95607-06100	NUT, U	1	1	1	1	
6	97007-05016	BOLT	2	2	2	2	
7	5HD-26337-00	BOLT, ADJUSTING	1	1	1	1	
8	5HD-83951-00	BOLT, CABLE ADJUSTING	1	1	1	1	
9	5HD-26372-00	COVER, HANDLE LEVER 1	1	1	1	1	
10	23X-83976-00	SWITCH, HANDLE 1	1	1	1	1	
11	583-83981-00	LEVER, DECOMPRESSION	1	1	1	1	
12	5BE-83913-00	COLLAR, LEVER 1	1	1	1	1	
13	98907-05020	SCREW, BIND	1	1	1	1	
14	95607-05100	NUT, U	1	1	1	1	
15	5BE-82912-00	HOLDER, LEVER UPPER 1	1	1	1	1	
16	38V-82913-00	HOLDER, LEVER LOWER 1	1	1	1	1	
17	97007-05016	BOLT	2	2	2	2	
18	583-26352-00	COVER, DECOMPRESSION CABLE	1	1	1	1	

5JG1100-0370



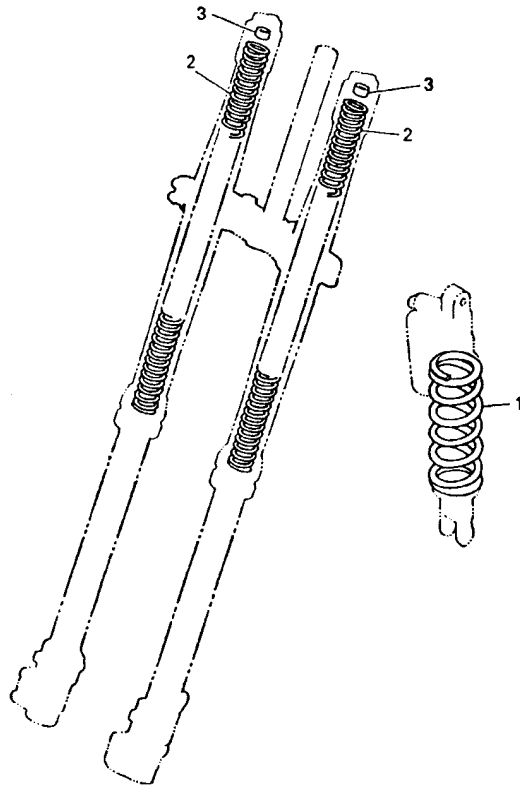
5JG1100-0380

FIG. 38 ELECTRICAL 1

REF. NO.	PART NO.	DESCRIPTION	5JG1	5JG2	5JG3	5JG4	REMARKS
1	5JG-85540-00	C.D.I. UNIT ASSY	1	1	1	1	
2	5BE-85546-00	BAND	1	1	1	1	
3	5BE-82310-00	IGNITION COIL ASSY	1	1	1	1	
4	91317-06016	BOLT	2	2	2	2	
5	5BE-82370-00	PLUG CAP ASSY	1	1	1	1	
6	5BE-82540-01	NEUTRAL SWITCH ASSY	1	1	1	1	
7	93210-21276	O-RING	1	1	1	1	
8	90154-05073	SCREW, BINDING	2	2	2	2	
9	90464-16061	CLAMP	2	2	2	2	
10	90464-13073	CLAMP	1	1	1	1	
11	90460-15126	CLAMP, HOSE	1	1	1	1	
12	90464-13077	CLAMP	2	2	2	2	
13	90464-15152	CLAMP	2	2	2	2	
14	90464-13073	CLAMP	1	1	1	1	
15	90465-13275	CLAMP	1	1	1	1	
16	90464-15195	CLAMP	2	2	2	2	
17	90465-13152	CLAMP	1	1	1	1	
18	5JG-82509-00	WIRE, SUB LEAD	1	1	1	1	

E10

FIG. 39 ALTERNATE (CHASSIS)

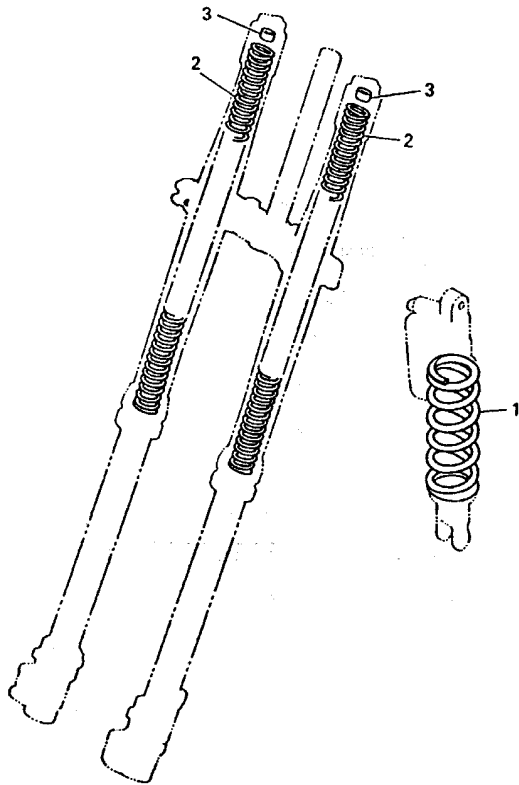


REF. NO.	PART NO.	DESCRIPTION	SJG1	SJG2	SJG3	SJG4	REMARKS
1	5DH-22212-70	SPRING (K=4.4)	1	1	1	1	AP
	5DH-22212-10	SPRING (K=4.6)	1	1	1	1	AP
	5DH-22212-20	SPRING (K=4.8)	1	1	1	1	AP
	5DH-22212-30	SPRING (K=5.0)	1	1	1	1	AP
	5DH-22212-40	SPRING (K=5.2)	1	1	1	1	AP
	5DH-22212-50	SPRING (K=5.4)	1	1	1	1	AP
	5DH-22212-60	SPRING (K=5.6)	1	1	1	1	AP
	5ET-22212-20	SPRING (K=APPROX.4.6)	1	1	1	1	AP
	5ET-22212-00	SPRING (K=APPROX.4.8)	1	1	1	1	AP
	5ET-22212-10	SPRING (K=APPROX.5.0)	1	1	1	1	AP
	5ET-22212-30	SPRING (K=APPROX.5.2)	1	1	1	1	AP
	5ET-22212-40	SPRING (K=APPROX.5.4)	1	1	1	1	AP
	5ET-22212-50	SPRING (K=APPROX.5.6)	1	1	1	1	AP
2	4SS-23141-10	SPRING, FRONT FORK (K=0.38)	2	2	2	2	AP
	4SS-23141-20	SPRING, FRONT FORK (K=0.39)	2	2	2	2	AP
	4SS-23141-30	SPRING, FRONT FORK (K=0.40)	2	2	2	2	AP
	4SS-23141-40	SPRING, FRONT FORK (K=0.41)	2	2	2	2	AP
	4SS-23141-50	SPRING, FRONT FORK (K=0.42)	2	2	2	2	AP
	4SS-23141-60	SPRING, FRONT FORK (K=0.43)	2	2	2	2	AP
	4SS-23141-70	SPRING, FRONT FORK (K=0.44)	2	2	2	2	AP
	5BE-23141-L0	SPRING, FRONT FORK (K=0.45)	2	2	2	2	AP
	5BE-23141-00	SPRING, FRONT FORK (K=0.46)	2	2	2	2	AP
	5GR-23141-00	SPRING, FRONT FORK (K=0.47)	2	2	2	2	AP
	5ET-23141-20	SPRING (K=APPROX.0.40)	2	2	2	2	AP
	5ET-23141-00	SPRING (K=APPROX.0.41)	2	2	2	2	AP
	5ET-23141-30	SPRING (K=APPROX.0.42)	2	2	2	2	AP
	5ET-23141-10	SPRING (K=APPROX.0.43)	2	2	2	2	AP



5BE100-8390

FIG. 39 ALTERNATE (CHASSIS)



REF. NO.	PART NO.	DESCRIPTION					REMARKS
			5JG1	5JG2	5JG3	5JG4	
2	5ET-23141-40	SPRING (K=APPROX.0.44)	2	2	2	2	AP
3	4SS-23364-L0	COLLAR 2	2	2	2	2	UN

FWD
5BE100-8390

NUMERICAL INDEX

PARTNO.	GRID NO.	PARTNO.	GRID NO.	PARTNO.	GRID NO.	PARTNO.	GRID NO.	PARTNO.	GRID NO.	PARTNO.	GRID NO.
4SS-W0041-00	E-5	3FV-12153-00	B-6	5BE-12576-00	B-9	5BE-1443E-00	B-13	5JG-14916-FR	B-15	5BE-15150-02	C-5
4SS-W0042-50	E-7	3FV-12153-10	B-6	5BE-12577-00	B-9	5BE-14449-00	C-3	5JG-14916-FS	B-15	5BE-15362-00	C-14
5DH-W0045-00	D-14	3FV-12153-20	B-6	5BE-12578-00	B-9	4XM-14451-00	B-13	5JG-14916-FT	B-15	4JT-15381-01	C-5
5GR-W0046-00	E-3	3LD-12168-A0	B-5	5BE-12579-01	B-9	5JG-14453-00	B-13	5JG-14916-FU	B-15	5BE-15383-00	C-5
3JD-W0047-00	D-14	3LD-12168-F0	B-5	583-13113-00	C-6	5BE-14458-00	B-13	5JG-14916-F1	B-15	5BE-15411-00	C-6
5ET-W0047-50	E-3	3LD-12168-H1	B-5	5BE-13161-01	B-12	3JD-14459-01	B-13	5JG-14922-00	C-3	5JG-15415-00	C-6
1UY-W0048-50	D-14	3LD-12168-K1	B-5	5BE-13171-00	B-12	3JD-14477-00	B-13	3TJ-14933-40	C-3	5BE-15421-00	C-5
	E-3	3LD-12168-M1	B-5	5BE-13300-00	B-10	5JG-14521-00	B-15	4FN-14934-00	C-3	5JG-15431-00	C-6
4EW-W0057-00	D-14	3LD-12168-R1	B-5	1HX-13310-00	B-10	5JG-14522-00	B-14	3TJ-1494F-12	C-2	5BE-15441-00	C-5
5ET-W0057-50	E-3	3LD-12168-U1	B-5	5BE-13341-00	B-10	5JG-14531-00	C-3	3TJ-1494F-13	C-2	5BE-15451-00	C-6
4SS-W2587-01	E-5	3LD-12168-W1	B-5	5BE-13342-00	B-10	3TJ-14536-40	C-3	3TJ-1494F-14	C-2	5JG-15453-00	C-6
5JG-11102-00	B-2	3LD-12168-Y1	B-5	5BE-13411-00	B-10	5JG-14546-00	B-14	3TJ-1494F-15	C-2	5BE-15462-00	C-6
4KG-1111G-00	B-2	3LD-12168-00	B-5	5BE-13412-00	B-10	676-14548-00	C-2	3TJ-1494F-16	C-2	5GR-15601-00	C-7
5BE-11133-10	B-2	3LD-12168-20	B-5	5BE-13416-00	B-10	4YR-14557-00	C-3	3TJ-1494F-17	C-2	5BE-15620-02	C-7
5BE-11134-10	B-2	3LD-12168-40	B-5	1UY-13440-02	B-12	4FN-14561-00	B-13	3TJ-1494F-18	C-2	3SP-15621-02	C-7
5BE-11166-00	B-3	3LD-12168-60	B-5	5BE-13447-00	B-12	4MX-14561-00	C-3	3TJ-1494F-19	C-2	5BE-15651-00	C-7
371-11167-01	B-3	3LD-12168-80	B-5	5BE-13464-00	B-10	6H4-14561-00	C-3	3TJ-1494F-20	C-2	5GR-15664-00	C-7
5BE-11167-00	B-2	3LD-12169-E0	B-6	5BE-13465-00	B-10	5BE-14562-00	C-3	5BE-14940-15	C-2	5BE-15668-00	C-7
5JG-11181-00	B-2	3LD-12169-G0	B-6	5JG-13597-00	B-13	5JG-14565-00	C-3	5BE-14940-17	C-2	5BE-15674-00	C-7
5BE-11191-00	B-2	3LD-12169-J0	B-6	5JG-14101-00	B-14	5JG-14591-00	C-3	5BE-14940-18	C-2	5BE-15686-01	C-7
5BE-11193-10	B-3	3LD-12169-L0	B-6	5JG-14101-10	B-14	5BE-14611-00	C-4	5BE-14940-19	C-2	5JG-16111-00	C-8
5JG-11311-00	B-3	3LD-12169-N0	B-6	3TJ-14105-40	C-2	3VD-14613-00	C-4	3TJ-14943-47	B-15	5JG-16150-00	C-8
5BE-11351-00	B-3	3LD-12169-T0	B-6	5BE-14107-00	C-2	5BE-14628-00	C-4	4MX-14943-38	B-15	2JN-16154-00	C-8
5JG-11387-00	B-3	3LD-12169-11	B-5	4MX-14115-00	C-3	5BE-1469A-10	C-4	4MX-14943-39	B-15	3XK-16321-00	C-8
5JG-11400-00	B-4	3LD-12169-31	B-6	3TJ-14137-40	C-3	5JG-1469A-00	C-4	4MX-14943-40	B-15	5JG-16325-00	C-8
5JG-11412-00	B-4	3LD-12169-50	B-6	5BE-14146-00	C-3	5BE-1469E-00	C-4	4MX-14943-41	B-15	5JG-16351-00	C-8
5JG-11422-00	B-4	3LD-12169-70	B-6	5JG-14146-00	C-3	3GW-14714-00	C-4	4MX-14943-42	B-15	5BE-16356-00	C-8
5BE-11454-00	B-4	3LD-12169-90	B-6	3TJ-14159-40	B-15	5BE-14747-00	C-4	4MX-14943-88	B-15	5JG-16357-00	C-8
5BE-11455-00	B-4	5BE-12170-00	B-7	5JG-14171-00	C-3	5JG-14753-00	C-4	4MX-14943-89	B-15	5JG-16371-00	C-8
5BE-11531-00	B-4	5BE-12180-00	B-7	5JG-14197-00	C-3	5JG-14753-10	C-4	4MX-14943-90	B-15	5BE-16381-00	C-8
5BE-11536-00	B-4	5BE-12210-00	B-7	5JG-14197-10	C-3	4BD-14766-00	C-4	4MX-14943-91	B-15	4JT-16384-00	C-8
5JG-11603-00	B-4	4FM-12213-00	B-7	5BE-14216-00	C-2	5BE-14788-00	C-4	4MX-14943-92	B-15	5JG-17121-00	C-9
5JG-11631-00	B-4	5BE-12241-00	B-7	5JG-14264-00	B-15	5JG-14916-DN	B-14	4MX-14943-93	B-15	5BE-17131-10	C-9
5JG-11633-00	B-4	5BE-12251-10	B-7	3TJ-14267-40	B-14	5JG-14916-DP	B-14	7A9-14943-27	C-2	5BE-17141-20	C-9
5JG-11651-00	B-4	5BE-12252-00	B-7	5JG-14275-00	B-15	5JG-14916-DR	B-14	5JG-14947-00	B-15	5BE-17151-00	C-9
5BE-11681-00	B-4	5BE-12280-10	B-7	3TJ-14293-40	C-2	5JG-14916-DS	B-14	4MX-14948-01	C-2	5JG-17211-00	C-9
5BE-12111-10	B-5	5BE-12283-00	B-7	5JG-14293-00	B-13	5JG-14916-DT	B-14	4MX-14948-02	C-2	5JG-17221-00	C-9
5BE-12112-10	B-5	5BE-12292-00	B-7	3TJ-14325-40	C-3	5JG-14916-DU	B-14	4MX-14948-03	C-2	5BE-17231-00	C-9
5BE-12113-00	B-5	5JG-1240A-00	B-9	5JG-14346-00	C-3	5JG-14916-D1	B-14	4MX-14948-04	B-15	5BE-17241-10	C-9
5GR-12114-00	B-5	5BE-12422-10	B-8	5JG-14371-00	C-3	5JG-14916-EN	B-14	4MX-14948-05	C-2	5BE-17251-10	C-9
4GY-12117-00	B-5	5BE-12439-00	B-8	5JG-14379-00	C-3	5JG-14916-EP	B-14	4MX-14948-06	C-2	5JG-17411-00	C-9
5BE-12117-00	B-5	5DJ-12451-00	B-8	5JG-14388-00	B-14	5JG-14916-ER	B-14	4MX-14948-07	C-2	5BE-17421-00	C-9
1AA-12118-00	B-5	5GR-12458-00	B-8	5JG-1440F-00	B-13	5JG-14916-ES	B-14	5JG-14951-00	B-14	5BE-17466-10	C-5
1WG-12118-00	B-5	5JG-12461-00	B-9	5JG-14401-00	B-13	5JG-14916-ET	B-15	5JG-14959-00	B-14	4L0-17471-00	C-5
33M-12119-00	B-5	5HD-12462-00	B-9	5BE-1441A-00	B-13	5JG-14916-EU	B-15	5JG-14984-00	C-2	5GR-17471-00	C-10
4SV-12119-00	B-5	5BE-12481-10	B-9	5BE-1441E-00	B-13	5JG-14916-E1	B-14	4SR-14985-00	C-2	3XK-18101-02	C-12
5BE-12121-10	B-5	5BE-12482-00	B-9	5JG-14417-00	B-13	5JG-14916-FN	B-15	5JG-14987-00	C-3	5BE-18110-00	C-12
3GM-12126-00	B-5	5BE-12584-00	B-8	5JG-14428-00	B-13	5JG-14916-FP	B-15	4FN-14997-00	B-14	3XK-18122-00	C-12

NUMERICAL INDEX

PARTNO.	GRID NO.	PARTNO.	GRID NO.	PARTNO.	GRID NO.	PARTNO.	GRID NO.	PARTNO.	GRID NO.	PARTNO.	GRID NO.
3XK-18140-00	C-11	5JG-22201-10	D-5	5ET-23125-L0	D-8	5JG-23170-M0	D-9	5ET-25367-00	E-2	5DH-25916-00	E-3
5BE-18172-00	C-12	5JG-22201-20	D-5		D-9	5ET-23171-L0	D-8	4SS-2538E-00	E-5	5DH-25919-00	D-14
3XJ-18173-00	C-12	5JG-22201-30	D-5	5HD-23136-L0	D-8		D-9	5ET-25381-00	E-2	5DH-25919-50	E-3
3XJ-18178-00	C-12	5JG-22201-40	D-5	5DH-2314E-00	D-14	5DH-23183-00	D-5	5ET-25383-00	E-2	8CR-25924-00	E-3
3XJ-18182-00	C-12	5JG-22210-00	D-5	5DH-2314F-L0	D-9	509-23184-L0	D-5	5ET-25388-00	E-2	5DH-25933-00	D-14
3XJ-18184-00	C-12	5JG-22210-10	D-5	4SS-2314G-L0	D-9	5DH-23195-L0	D-8	5ET-25389-00	E-2	4XM-28111-00	E-4
4EW-18185-00	C-12	5JG-22210-20	D-5	5DH-2314H-00	D-10		D-9	2J5-25394-01	D-13	5BE-28240-00	E-4
5BE-18501-00	C-11	5JG-22210-30	D-5	5DH-2314J-00	D-9	5HC-2331E-00	D-10	3JE-25394-00	D-15	4GY-28241-00	E-4
5BE-18502-10	C-11	5JG-22210-40	D-5	4SS-2314I-10	E-11	5HC-23340-L0	D-9	5ET-25447-00	D-15	5BE-28281-00	E-4
5BE-18503-00	C-11	5DH-22212-10	E-11	4SS-2314I-20	E-11	4SS-23346-L0	D-9	5ET-25448-00	D-15	5BE-28282-00	E-4
5BE-18541-00	C-11	5DH-22212-20	E-11	4SS-2314I-30	E-11	3SP-23356-L0	D-10		E-2	5JG-28302-00	E-4
4BA-18542-00	C-11	5DH-22212-30	E-11	4SS-2314I-40	E-11	4SS-23364-L0	E-12	5ET-25449-00	D-15	5JG-28335-00	E-4
5DH-18562-00	C-5	5DH-22212-40	E-11	4SS-2314I-50	E-11	4DA-23389-00	D-7		E-2	5HD-28337-00	E-9
5JG-21110-00-PO	C-13	5DH-22212-50	D-5	4SS-2314I-60	E-11	5HD-2339E-00	D-7	5ET-25450-00	D-15	5HD-28342-00	E-4
5BE-2117M-00	E-7		E-11	4SS-2314I-70	E-11	5HD-23393-L0	D-8	5ET-25451-00	D-15	583-28352-00	E-9
5JG-21190-00-PO	C-13	5DH-22212-60	E-11	5BE-2314I-L0	D-8		D-9	5ET-25452-00	D-15	5HD-28372-00	E-9
5HD-2135F-00	D-4	5DH-22212-70	E-11		D-9	4EW-23416-00	D-7	5DH-25718-01	E-3	5JG-28372-00	E-5
5BE-21417-00	C-14	5ET-22212-00	E-11	5BE-2314I-00	E-11	5HC-23435-10	D-7	5DH-2580T-00	D-14	4XM-27200-00	E-6
5BE-21425-01	C-13	5ET-22212-10	E-11	5ET-23141-00	E-11	3SP-23441-00	D-7	5GR-2580W-00	E-3	5JG-27217-00	E-6
5GR-21425-01	C-13	5ET-22212-20	E-11	5ET-23141-10	E-11	5HD-23485-00	D-7	4ML-2582A-50	E-7	3SP-27222-00	E-7
5BE-2147A-00	C-14	5ET-22212-30	E-11	5ET-23141-20	E-11	5GR-24110-10	D-11	5DH-2582T-00	D-14	5ET-27311-00	E-6
5BE-21471-00	C-14	5ET-22212-40	D-5	5ET-23141-30	E-11	4EW-2412F-00	D-11	5DH-2582W-00	E-3	5ET-27411-00	E-6
5HD-21511-00	C-15		E-11	5ET-23141-40	E-11	24X-24144-00	D-11	5DH-25827-50	E-3	5ET-27421-00	E-6
3FY-21575-01	D-2	5ET-22212-50	E-11	5ET-23141-60	E-12	3SP-24173-00	D-11	5DH-25828-50	E-3	4GY-27491-00	E-3
5BE-21611-10	C-15	3SP-22213-00	D-5	5GR-23141-L0	D-8	22W-24181-00	C-4	4SS-2583G-00	E-5	5BE-2814F-00	C-14
5JG-2163G-00	C-15	5DH-22214-00	D-5		D-9	4SS-24181-00	D-11	5JG-2583V-00	E-7	5ET-28166-00	C-14
5BE-21642-00	C-15	5DH-22224-00	D-5	5GR-23141-00	E-11	5BE-24182-00	D-11	4SS-25833-00	E-5	5BE-82310-00	E-10
5BE-21711-00	D-2	4JX-22226-00	D-5	5DH-23142-L0	D-8	3JD-24186-00	D-11	5BE-25844-00	E-7	5BE-82370-00	E-10
5JG-2172A-00	D-2	3SP-22234-00	D-5		D-9	5JG-24240-00	D-11	4SS-25852-00	E-5	5JG-82509-00	E-10
5BE-21721-00	D-2	4EW-22253-00	D-5	5HD-23144-L0	D-8	3XJ-24380-00	D-11	5BE-25852-00	E-7	5BE-82540-01	E-10
5JG-2173E-00	D-2	5DH-22253-00	D-5		D-9	4DP-24500-00	D-11	4SS-25854-00	E-5	5HD-82911-00	E-9
5JG-2173F-00	D-2	5ET-22355-00	D-3	5ET-23145-L0	D-8	4X8-24512-00	D-11	58A-25854-00	E-7	5BE-82912-00	E-9
5JG-21731-00	D-2	3V6-22358-00	D-11		D-9	3AJ-24523-00	D-11	2VN-25866-00	E-7	38V-82913-00	E-9
5BE-2174A-00	D-2	4EW-22474-00	D-5	4SS-23146-L0	D-8	3AJ-24534-00	D-11	3YX-25866-10	E-5	5HD-83912-00	E-9
5JG-21741-00	D-2	3JE-22475-00	D-5		D-9	1UY-24610-00	D-11	4SS-25866-00	E-5	4SS-83913-00	E-5
3JD-21748-00	C-15	5GR-22898-50	E-3	5DH-23149-L0	D-8	5GR-24710-10	D-12	3YK-25867-00	E-5	5BE-83913-00	E-9
5BE-21756-00	C-13	5JG-23102-L0	D-8	4SS-23153-L0	D-8	5BE-24728-00	D-12	4SS-25868-00	E-5	4SS-83922-01	E-5
5CU-22110-00	D-3	5JG-23102-M0	D-8		D-9	5GR-24731-10	D-12	5ET-25872-00	E-5	5HD-83951-00	E-9
4XM-22128-00	D-3	5JG-23103-L0	D-8		D-9	4DA-25104-00	D-13	5DH-25873-00	E-7	23X-83976-00	E-9
5DH-22141-00	D-3	5JG-23103-M0	D-8	4SS-23158-L0	D-8	4SS-25111-00	D-13	5DH-25875-00	D-14	583-83981-00	E-9
5JG-22151-00	D-3	5BF-23110-L0	D-9		D-9	5DH-25117-00	D-13	2VM-25876-00	E-7	5JG-85540-00	E-10
5JG-22156-00	D-3	5HD-23111-L0	D-8	5JG-2316A-L0	D-8	5BE-25181-00	D-13	4SS-25880-00	E-5	5BE-85546-00	E-10
5ET-2217A-00	D-3		D-9		D-9	5DH-25183-00	D-13	4SS-25889-00	E-5	5JG-85550-00	E-8
5DH-2217F-01	D-4	5DH-23118-L0	D-8	5JG-2316A-M0	D-8	5BE-25186-00	D-13	3FV-2589A-00	E-7	5BE-85560-02	E-8
3JD-22178-10	C-13		D-9		D-9	5HD-25304-00	D-15	4SS-2589F-00	E-5	5JG-85885-00	C-3
4EW-22178-00	C-13	3JD-2312G-L0	D-8	5JG-23170-L0	D-8	5ET-25311-00	D-15	5BE-25894-00	E-7	90101-06001	C-7
4XM-22199-00	D-3		D-9		D-9	5ET-25317-00	D-15	5BE-25895-00	E-7	90101-06684	C-12
5JG-22201-00	D-5	5DH-23120-L0	D-8	5JG-23170-M0	D-8	4XM-25364-00	D-15	5DH-25916-00	D-14	90101-08777	E-2

NUMERICAL INDEX

PARTNO.	GRID NO.	PARTNO.	GRID NO.	PARTNO.	GRID NO.	PARTNO.	GRID NO.	PARTNO.	GRID NO.	PARTNO.	GRID NO.
90105-065A1	C- 6	90179-10247	E- 8	90215-14204	B- 4	90450-28014	B- 9	91317-06050	C- 5	93306-00431	C- 9
90105-06553	C- 5	90179-16672	D- 13	90215-20231	C- 8	90450-57092	B- 13	91317-06060	C- 5	93306-07202	D- 15
	C- 10	90179-20001	C- 8	90215-21001	C- 8	90450-59091	B- 13	91317-06075	C- 5	93306-20335	B- 4
	C- 15		C- 10		C- 10	90460-15126	E- 10	91317-08020	C- 4	93306-20532	C- 9
90105-06690	C- 15	90179-28650	D- 7	90240-08120	E- 6	90460-61162	B- 13	91401-20012	E- 6	93306-20593	C- 9
90105-067A6	B- 2	90183-06023	B- 13	90240-10142	E- 6	90461-10136	C- 5	91401-25015	E- 6	93306-27205	D- 15
90105-08099	C- 13		C- 15	90267-32070	B- 13	90462-10241	C- 6	91808-16023	B- 2	93306-30633	B- 4
90105-08659	D- 14	90185-08169	C- 13	90267-48121	C- 4	90464-13073	E- 10	91812-16001	C- 6	93306-90403	D- 13
90105-08752	C- 7		E- 2	90280-03017	B- 4	90464-13077	E- 10	92014-06016	E- 7	93306-90501	C- 11
90105-10323	D- 5	90185-14112	D- 4	90282-05058	B- 4	90464-15152	E- 10	92017-08055	C- 13	93310-63480	B- 4
90105-104A7	B- 2	90185-16127	D- 3	90282-05058	C- 13	90464-15195	E- 10	92907-06100	D- 12	93311-62574	B- 4
90105-105A2	D- 6	90185-20168	E- 2		D- 3	90464-16061	E- 10	92907-06600	B- 7	93315-11206	C- 8
90105-106A3	B- 2	90201-03313	B- 13	90340-12059	C- 5	90465-13152	E- 10	92907-08200	D- 14	93315-32056	D- 3
90105-10733	C- 13	90201-06071	B- 9	90340-12112	B- 2	90465-13275	E- 10	93101-14164	C- 6		D- 4
90109-06027	E- 9	90201-06557	C- 15	90340-14128	C- 6	90465-16258	E- 5	93102-12106	B- 8	93317-22262	D- 3
90109-063F8	C- 11	90201-08089	E- 6	90340-32123	C- 6	90467-09006	B- 9		C- 12	93332-00068	D- 7
90109-06418	B- 7	90201-081F9	C- 4	90387-06009	C- 15	90467-10008	D- 11	93102-12224	B- 7	93332-00081	D- 7
90109-065G2	B- 12	90201-08326	E- 2	90387-0614M	B- 9	90467-11106	B- 3		C- 8	93340-21505	C- 8
90109-065G4	E- 3	90201-08410	C- 3	90387-0701A	C- 15	90467-12085	E- 7	93102-20108	C- 7	93342-22217	D- 3
90109-066F0	B- 2	90201-08512	B- 8	90387-0814J	C- 4	90467-14015	B- 3	93102-26468	D- 13	93410-20038	C- 7
90109-081G1	E- 2	90201-086P8	C- 13	90387-086N4	C- 13	90467-17089	B- 13	93102-32480	C- 9	93420-19084	B- 4
90109-142F4	D- 4	90201-087A9	C- 7	90387-124F4	C- 12	90468-16191	E- 6	93106-22019	D- 3	93440-10085	B- 10
90109-147F2	D- 4	90201-101A4	B- 2	90387-164N2	D- 3	90480-08608	E- 2	93106-30044	D- 15		C- 8
90110-08096	C- 13	90201-101J1	E- 8	90387-164N3	D- 3	90480-15528	B- 9	93106-30045	D- 15	93440-10153	B- 2
90119-05071	D- 7	90201-10118	E- 5	90387-167Y9	D- 3	90480-18549	D- 11	93109-11073	B- 8	93440-25084	C- 9
90119-06096	C- 15		E- 7	90387-1712Y	C- 5	90501-043E0	C- 6	93109-20076	D- 3	93440-28062	C- 9
90119-06214	D- 11	90201-10119	E- 6	90387-1714R	D- 3	90501-052G5	C- 12		D- 4	93440-41178	B- 7
90119-08238	D- 2	90201-112U6	D- 6	90387-1714S	D- 3	90501-06022	C- 11	93109-28043	D- 3	93501-04011	C- 7
90122-06035	B- 13	90201-12166	B- 10	90387-2113G	C- 9	90501-13720	C- 7	93210-07003	B- 12	93503-08007	C- 6
90149-06011	D- 11	90201-125L6	C- 8	90387-225N2	E- 4	90501-16107	C- 7	93210-07135	B- 12	93603-17070	B- 10
90149-06250	B- 4	90201-14740	D- 4	90387-2513F	C- 9	90501-244L9	C- 8	93210-09008	B- 12	93604-10011	B- 8
90149-06324	E- 8	90201-15701	C- 6	90401-08038	B- 12	90506-16500	E- 6	93210-10197	B- 10	93608-33046	C- 12
90149-06326	C- 5	90201-162H4	C- 7	90401-10159	B- 12	90508-142B5	C- 8		C- 5	93612-16254	B- 3
90149-06327	D- 14	90201-164H4	D- 3	90401-10172	E- 5	90508-162B2	B- 7	93210-11073	E- 6	9383E-14215	C- 10
90151-04048	D- 3		D- 4		E- 7	90508-26561	C- 11	93210-12759	B- 12	94108-21008	D- 13
90151-06002	C- 5	90201-167P7	C- 7	90430-06014	B- 7	90508-282B8	E- 6	93210-14369	C- 6	94108-2110Y	D- 13
90152-06010	C- 7	90201-20276	C- 7		B- 8	90508-282B9	E- 6	93210-15620	E- 7	94108-2112Y	D- 13
90154-05073	E- 10	90201-203U1	E- 2	90430-08119	B- 12	90508-291A8	C- 12	93210-16500	B- 9	94111-19008	D- 15
90159-06078	D- 2	90201-20685	C- 7		C- 13	90508-30743	C- 7	93210-19216	C- 14	94111-1911B	D- 15
90159-06092	C- 8	90201-247L2	D- 7	90430-10188	B- 12	91A20-05065	B- 9	93210-19216	C- 7	94111-1913A	D- 15
90159-06182	D- 2	90201-253K0	C- 9	90430-12213	C- 5	91314-06030	B- 10	93210-19758	B- 8	94209-21229	D- 13
90170-14171	B- 4	90201-286K9	D- 7	90430-18130	C- 13	91316-04008	B- 14	93210-21276	E- 10	94211-19273	D- 15
90170-20327	C- 8	90202-05193	D- 11	90445-09100	D- 11	91316-04012	B- 14	93210-22298	C- 9	94211-19274	D- 15
90170-24373	D- 7	90202-08045	B- 14	90445-09220	D- 11	91317-05014	B- 13	93210-32172	C- 6	94227-21101	D- 13
90179-06500	B- 3	90206-06090	C- 4	90445-11002	D- 11	91317-06014	E- 5	93210-50553	B- 12	94309-21161	D- 13
90179-06568	D- 3	90209-06096	B- 13	90445-112K0	B- 3	91317-06016	E- 10	93300-60804	C- 13	94311-19155	D- 15
90179-08270	B- 3	90209-21332	C- 9	90450-22017	B- 10	91317-06025	B- 10	93306-00105	B- 8	94321-19157	D- 15
90179-08299	E- 2	90209-26348	C- 9	90450-25037	B- 9	91317-06040	C- 5	93306-00426	C- 9	94330-21084	D- 13

NUMERICAL INDEX

PARTNO.	GRID NO.	PARTNO.	GRID NO.	PARTNO.	GRID NO.	PARTNO.	GRID NO.	PARTNO.	GRID NO.
94416-21613	D - 13	95607-10200	C - 13						
94421-19602	D - 15		D - 5						
94581-68114	E - 2	95617-06635	B - 2						
94591-50120	B - 7	95617-08620	B - 2						
94681-68001	E - 2	95617-08635	B - 2						
94701-00318	B - 2	95617-14100	D - 4						
94701-00319	B - 2	95707-08500	B - 2						
94701-00329	B - 2		C - 13						
94701-00330	B - 2	95817-08012	C - 4						
94703-00318	B - 2	95817-08030	C - 4						
94703-00319	B - 2	95817-10050	C - 13						
94703-00329	B - 2	95817-10160	C - 13						
94703-00330	B - 2	95827-06010	B - 9						
95021-08040	D - 9	95827-06012	D - 14						
95024-06020	B - 11	95827-06014	B - 7						
95027-06010	C - 8	95827-06016	D - 2						
	D - 3	95827-08012	C - 13						
95027-06012	B - 9	95827-08016	C - 14						
	B - 12	97007-05016	E - 9						
	B - 13	97007-06012	D - 12						
	E - 3	97027-06016	B - 7						
	E - 7	97707-60016	C - 15						
95027-06014	D - 7	97780-50510	E - 7						
95027-06016	D - 11	97801-03008	D - 11						
	E - 3	98507-05008	D - 3						
95027-06020	B - 12	98507-05020	E - 4						
	C - 12	98507-06025	C - 5						
95027-06025	B - 7	98706-04012	E - 5						
	B - 8	98706-04040	E - 7						
	B - 9	98707-06025	D - 11						
	B - 10	98907-05020	E - 9						
	B - 11	98907-06020	D - 11						
95027-06030	C - 6	98980-06008	C - 4						
95027-06040	B - 3	99001-08600	B - 10						
	C - 6	99009-12400	B - 10						
95027-06050	D - 3	99009-16400	C - 7						
95027-06065	B - 12	99009-20400	C - 7						
95027-08012	C - 14	99009-22500	C - 6						
95027-08020	D - 14	99009-45500	D - 15						
95027-08035	D - 7	99241-00080	C - 15						
95027-08040	C - 13	99244-00200	D - 4						
	D - 7	99530-08012	B - 10						
95027-08065	C - 13	99530-08016	C - 6						
95301-08700	E - 7	99530-10114	B - 10						
95606-06100	E - 5		C - 5						
95607-05100	B - 13	99530-10116	C - 5						
	E - 9	99530-14016	C - 5						
95607-06100	E - 9								

M4